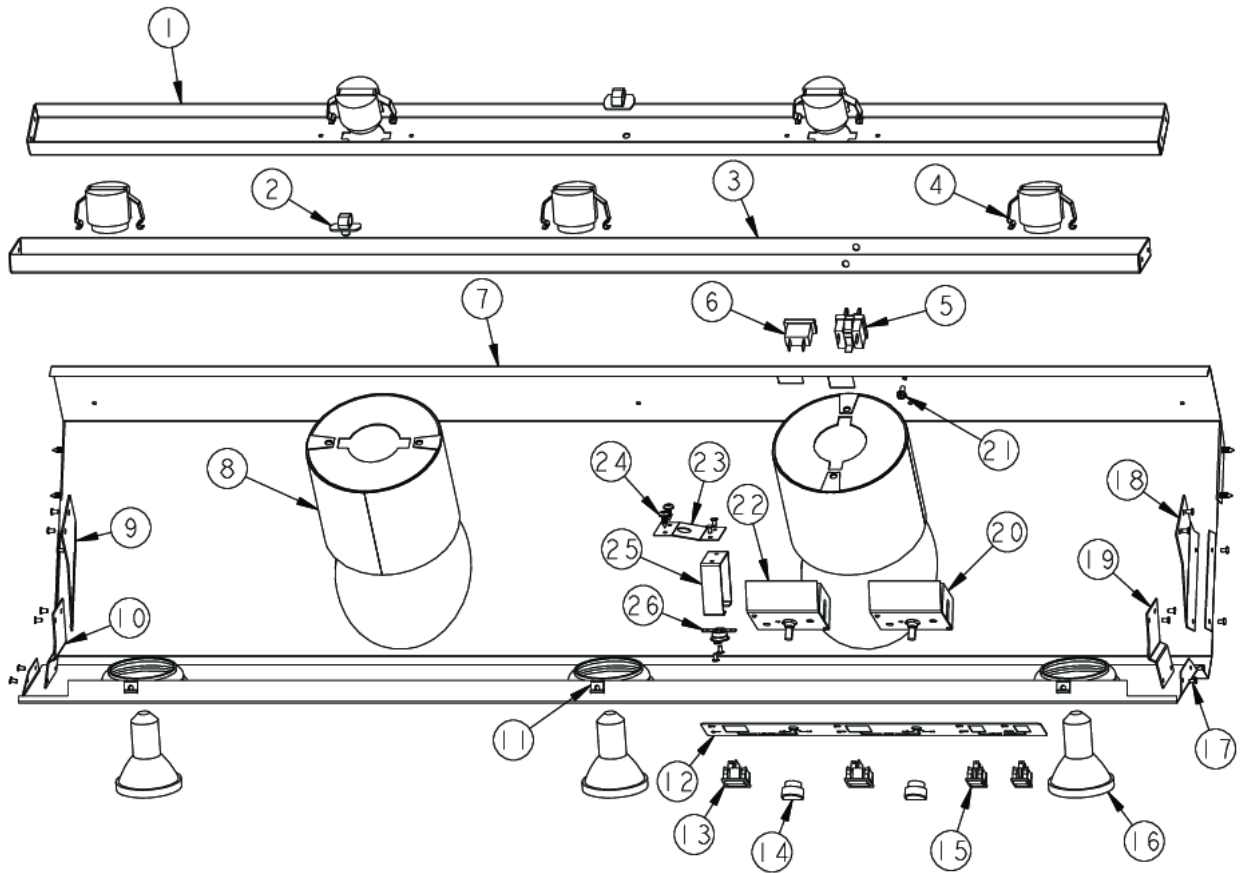


**VWH66481**

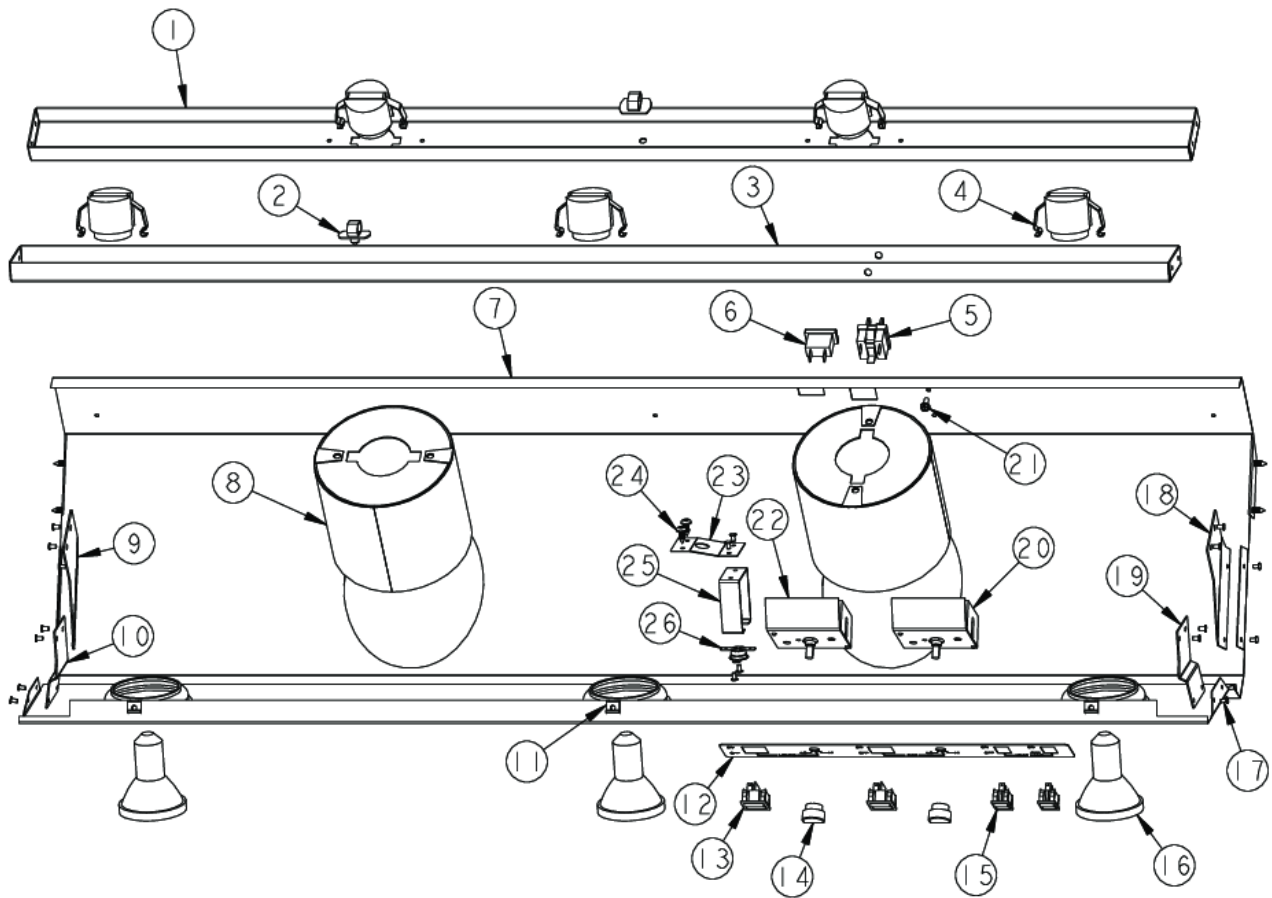
CONTROL AREA .....	1
FILTER AREA .....	2
HOOD EXTERNAL .....	3
WIRING DIAGRAM .....	4
WIRING HARNESS .....	5
Appendix A:Pages Index .....	A
Appendix B:Parts Index .....	B



CONTROL AREA



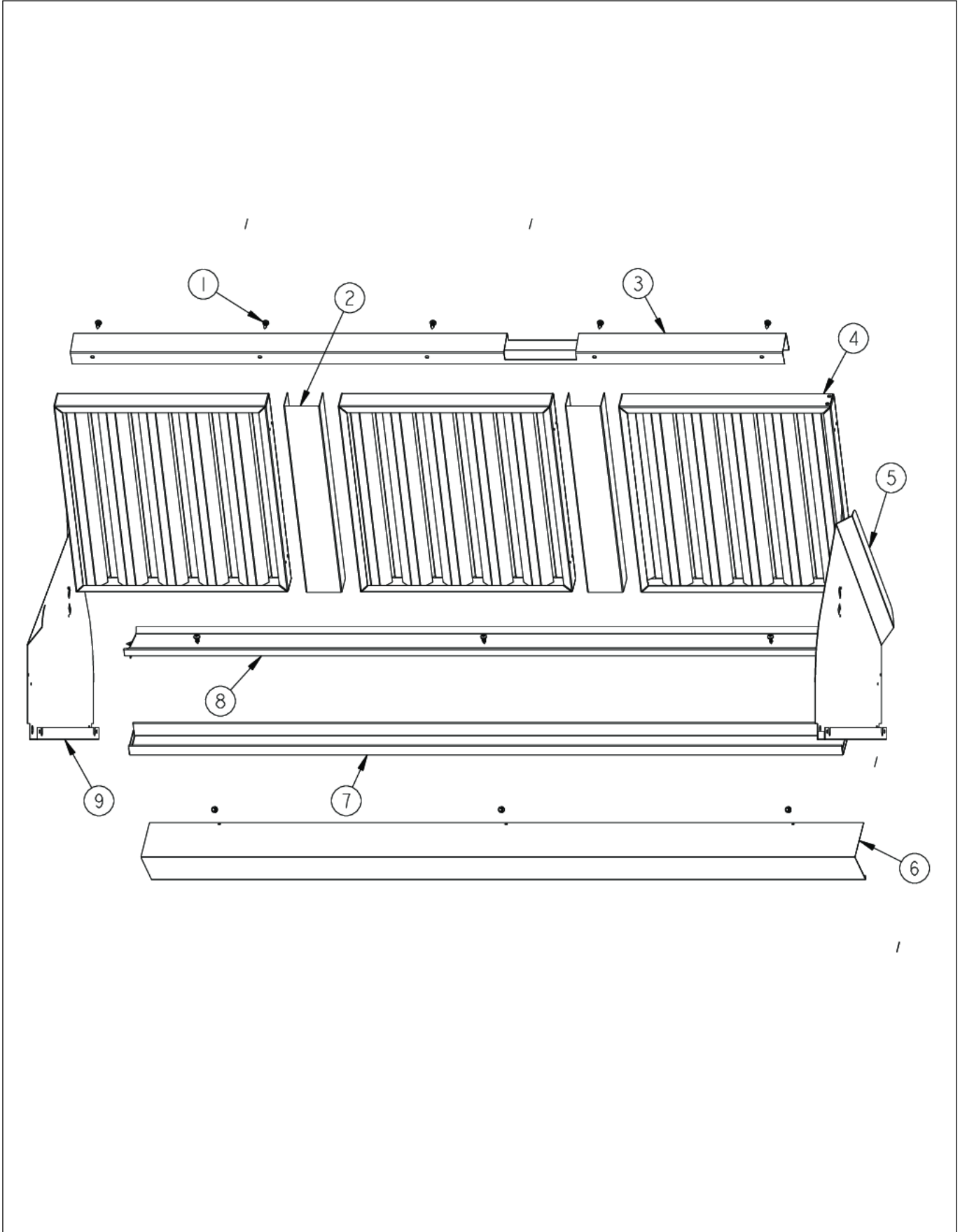
Item	Part No.	Name	Qty	Uom	NOTES
1	A20012434	HEAT LAMP SUPPORT (VWH66)	1	EA	NO LONGER AVAILABLE, Not available online / Call for pricing and availability
2	PE070214	DART CLIP	2	EA	
3	A20011004	BOTTOM LIGHT SUPT (VWH/VBCV/VCWH48)	1	EA	Not available online / Call for pricing and availability
4	013549-000	LIGHT SOCKET (125C LEADS)	5	EA	
5	PE070197	MALE SOCKET (3 PRONG)	1	EA	
6	PE070196	FEMALE SOCKET (2 PRONG)	1	EA	
7	B20010211	CONTROL PANEL W/GRAPHICS	1	EA	NO LONGER AVAILABLE, Not available online / Call for pricing and availability
8	G31012427	HEAT LAMP COWLING ASSY	2	EA	
9	A20016143	HEAT LAMP LIGHT BRACKET - LH	1	EA	
10	A20016147	LIGHT SUPPORT BRACKET - LH	1	EA	
11	PD030059	TINNERMAN CLIP U-TYPE FASTNER	3	EA	
12	PE040134	CONTROL PANEL PLATE	1	EA	
13	PE050048	FAN/LIGHT SWITCH (HOODS) EP0M11J	2	EA	
14	PA010071	LIGHT/MOTOR CONTROLLER KNOB	2	EA	
15	PE050050	HEAT LAMP SWITCH (A111B1100000)	2	EA	
16	PE050034	HALOGEN BULB 50W	4	EA	
17	PC040010	POP RIVET (.063/GR -.125) GAMD42-A	18	EA	
18	A20016144	HEAT LAMP LIGHT BRACKET - RH	1	EA	NO LONGER AVAILABLE
19	A20016148	LIGHT SUPT BRKT BTM (VWH)	1	EA	
20	062057-602	CNTRL, PRO FAN, 120VAC	1	EA	
21	PD020010	10 X 3/8 GREEN GROUNDING SCREW	1	EA	
22	062057-601	CNTRL, PRO LIGHT, 120VAC	1	EA	
23	B2003837	HEAT SENSOR BRKT	1	EA	





Item	Part No.	Name	Qty	Uom	NOTES
24	PD020087	10 X 1/2 PAN PH. TEK ZINC	2	EA	
25	A2103810	THERMODISC BRACKET VWH/VIH	1	EA	
26	PJ030014	HEAT SENSOR (N.O.) 160 DEG.	1	EA	

FILTER AREA

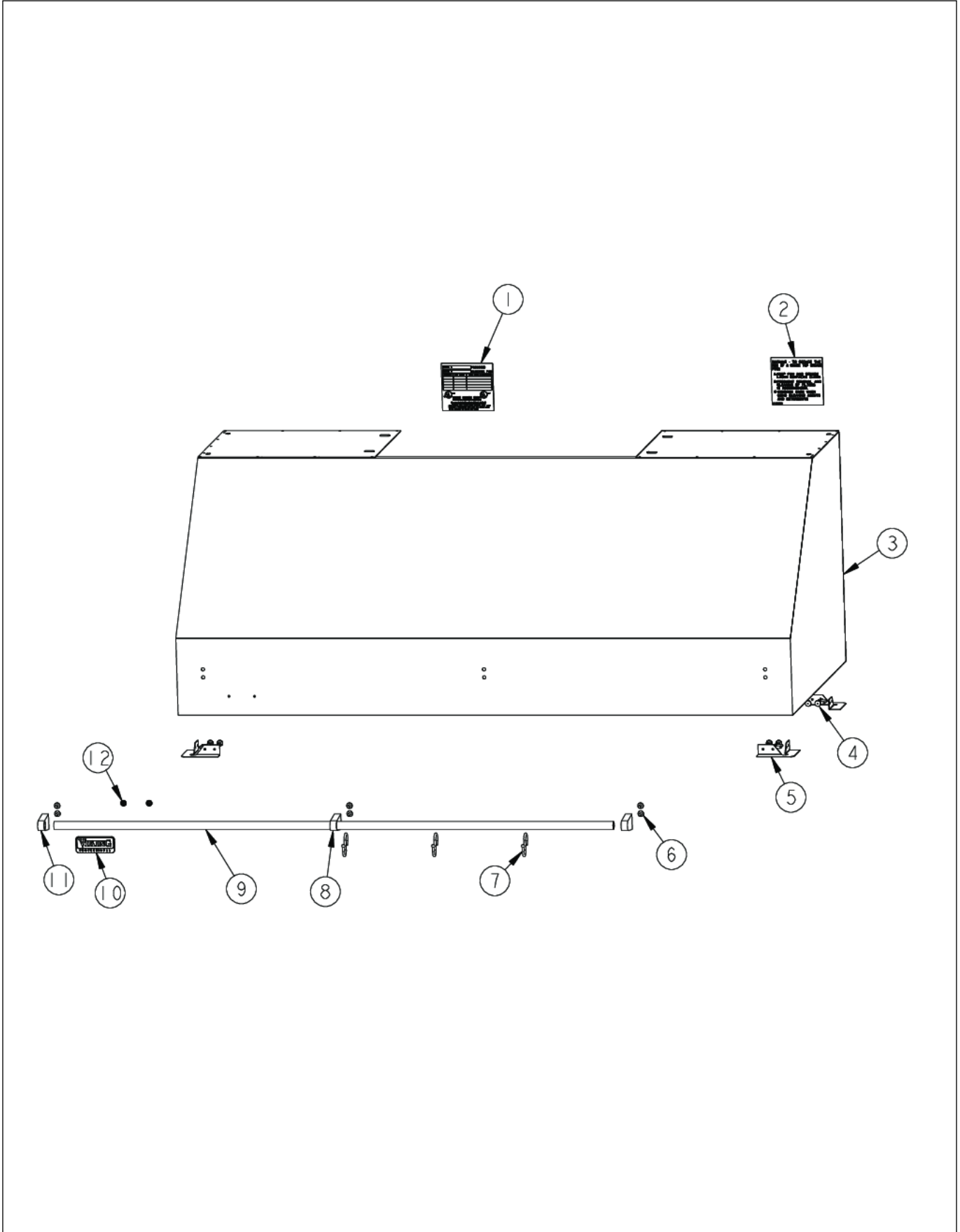






Item	Part No.	Name	Qty	Uom	NOTES
1	PD020087	10 X 1/2 PAN PH. TEK ZINC	11	EA	
2	B2003954	FILTER SPACER 66" 4.554 X 14	2	EA	
3	B20012467	FILTER SUPPORT BRACKET	1	EA	NO LONGER AVAILABLE, Not available online / Call for pricing and availability
4	G3104046	BAFFLE FILTER ASSY (18" HOODS) 13.375 X 14	4	EA	
5	B20012488	I/S SIDE - RH	1	EA	
6	B20011024	FILTER SUPPORT BOTTOM	1	EA	NO LONGER AVAILABLE, Not available online / Call for pricing and availability
7	B2003963	GREASE TROUGH (VWH6648/78)	1	EA	NO LONGER AVAILABLE
8	B20011028	FILTER SUPPORT TOP	1	EA	
9	B20012489	I/S SIDE - LH	1	EA	

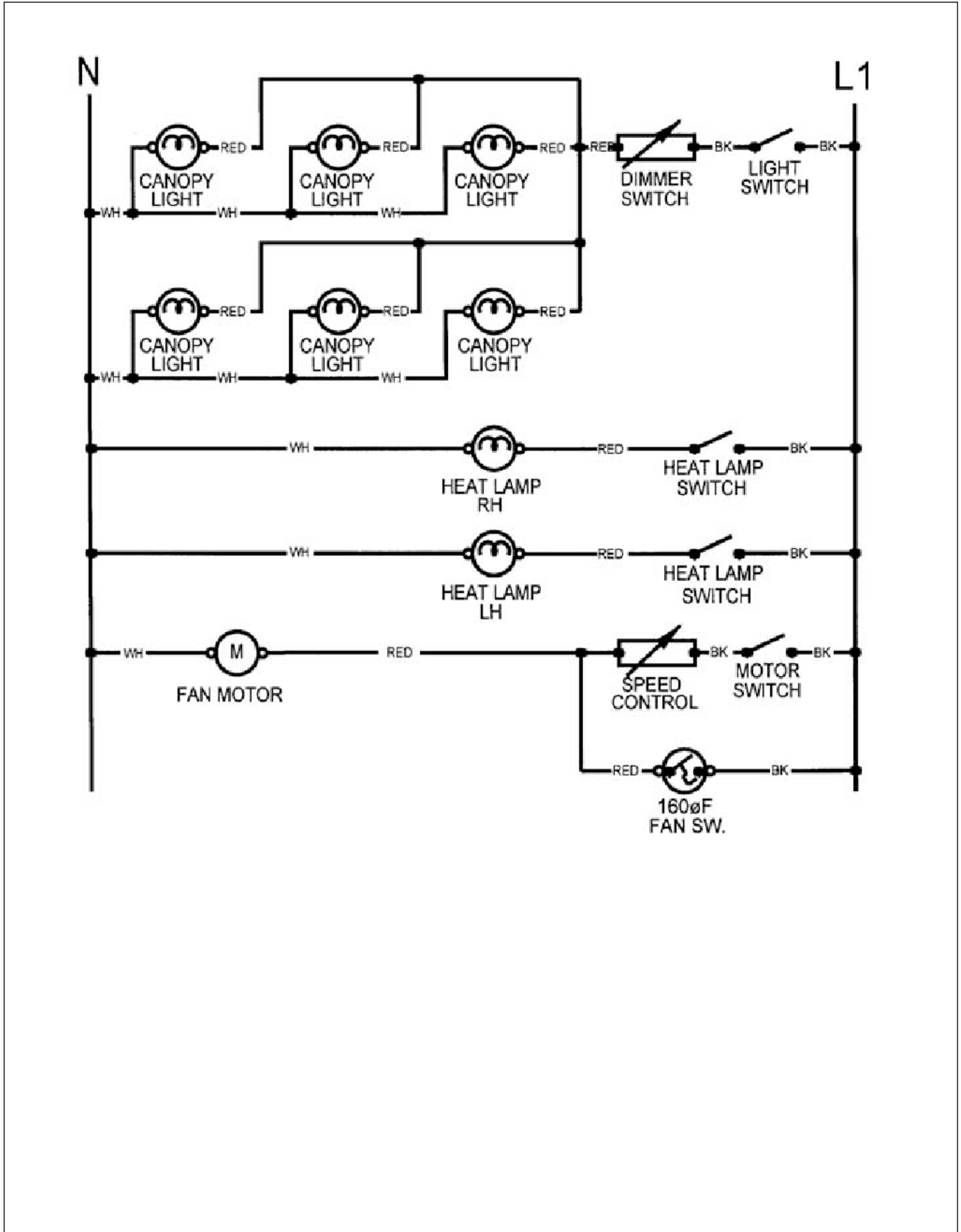
HOOD EXTERNAL



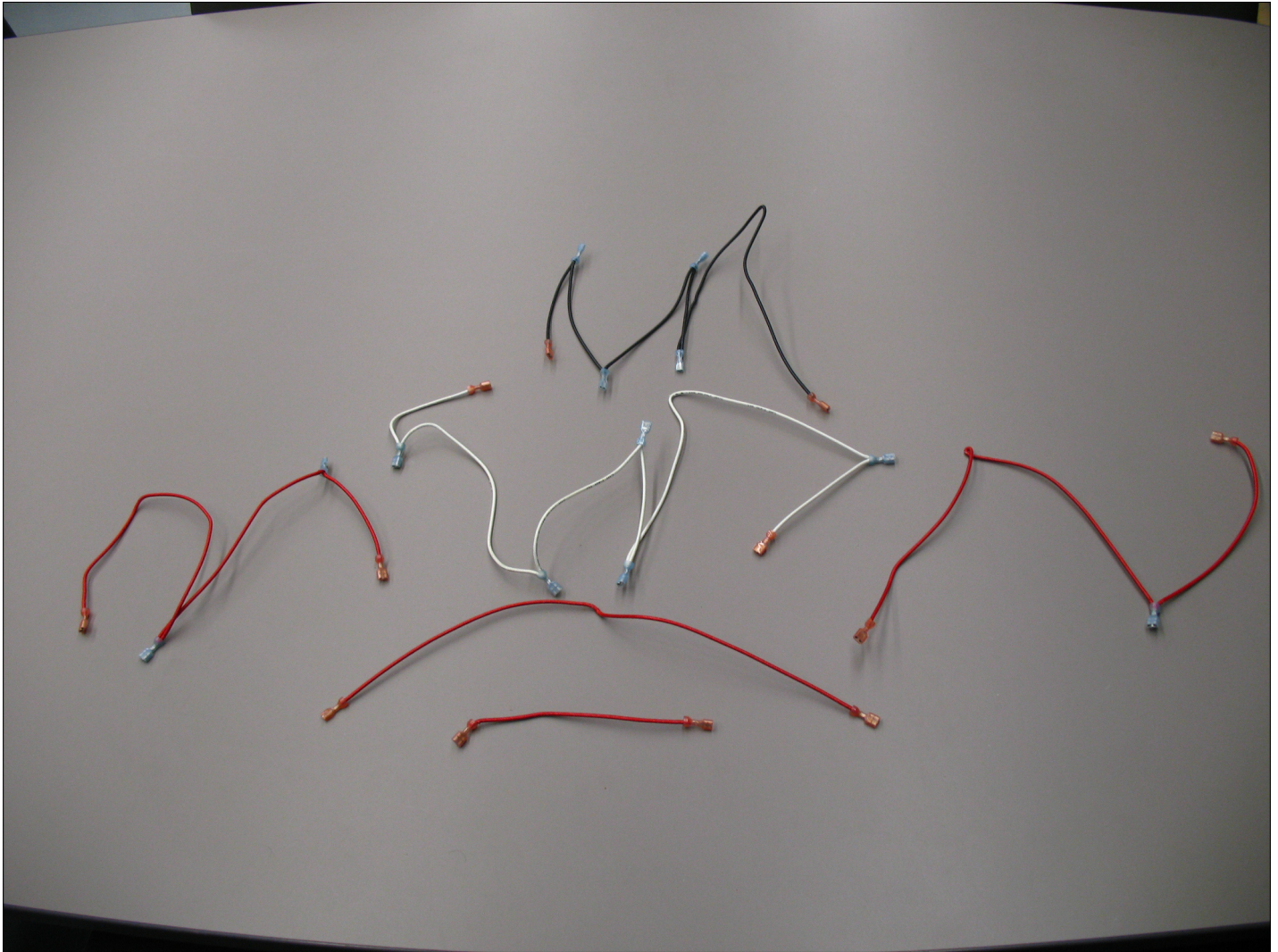


Item	Part No.	Name	Qty	Uom	NOTES
1	PE020058	RATING LABEL (ADHESIVE)	1	EA	
2	PF030337	HOOD WARNING LABEL	1	EA	
3	UNSERVICEABLE	VWH6648SS CANOPY ASM	1	EA	
4	PD010003	10-24 X 1/2 PH.TR.HD.SERD.M.S.	8	EA	
5	A2103817	CORNER BRACKET	4	EA	
6	PE030076	CHROME "S" HOOKS REPL PV100012SS	3	EA	
6	PE030077	BR 'S' HOOKS REPL PV100012BR	3	EA	
7	PE030052	SUPPORT TUBE, HOLE THROUGH	1	EA	
7	PE030053	MIDDLE RAIL SUPPORT - BR	1	EA	
8	PD020002	10 X 1/2 PH TR HD SMS	6	EA	
9	PE030066	48" ACCESORY RAIL SS	1	EA	
9	PE030077	BR 'S' HOOKS REPL PV100012BR	1	EA	
10	PE010142	3" LOGO *BK**CHROME	1	EA	
10	PE010143	3" LOGO, BK/BR	1	EA	
10	PE010144	3" LOGO *WH*CHROME	1	EA	NO LONGER AVAILABLE
10	PE010145	LOGO - WH / BR	1	EA	
11	PE030054	END CAP - SS	2	EA	
11	PE030055	END CAP - BR	2	EA	
12	PD030006	CAPPED WASHER PAL NUT	2	EA	
NI	019561-000	ENCLOSED JUNCTION BOX	1	EA	
NI	021299-000	JUNCTION BOX COVER PLATE	1	EA	
NI	PE070204	HEYCO STRAIN RELIEF - 7-P2	1	EA	
NI	039680-000	CORD, PWR, SUPPLY, VNT HD	1	EA	

WIRING DIAGRAM



WIRING HARNESS





Item	Part No.	Name	Qty	Uom	NOTES
1	PE070380	WIRE HARNESS	1	EA	Not available online / Call for pricing and availability



Appendix A:Pages Index

CONTROL AREA .....	1
FILTER AREA .....	2
HOOD EXTERNAL .....	3
WIRING DIAGRAM .....	4
WIRING HARNESS .....	5



Appendix B:Parts Index

013549-000	1	PE030054	3
019561-000	3	PE030055	3
021299-000	3	PE030066	3
039680-000	3	PE030076	3
062057-601	1	PE030077	3, 3
062057-602	1	PE040134	1
A20011004	1	PE050034	1
A20012434	1	PE050048	1
A20016143	1	PE050050	1
A20016144	1	PE070196	1
A20016147	1	PE070197	1
A20016148	1	PE070204	3
A2103810	1	PE070214	1
A2103817	3	PE070380	5
B20010211	1	PF030337	3
B20011024	2	PJ030014	1
B20011028	2		
B20012467	2		
B20012488	2		
B20012489	2		
B2003837	1		
B2003954	2		
B2003963	2		
G31012427	1		
G3104046	2		
PA010071	1		
PC040010	1		
PD010003	3		
PD020002	3		
PD020010	1		
PD020087	1, 2		
PD030006	3		
PD030059	1		
PE010142	3		
PE010143	3		
PE010144	3		
PE010145	3		
PE020058	3		
PE030052	3		
PE030053	3		