

**VWH6078T**

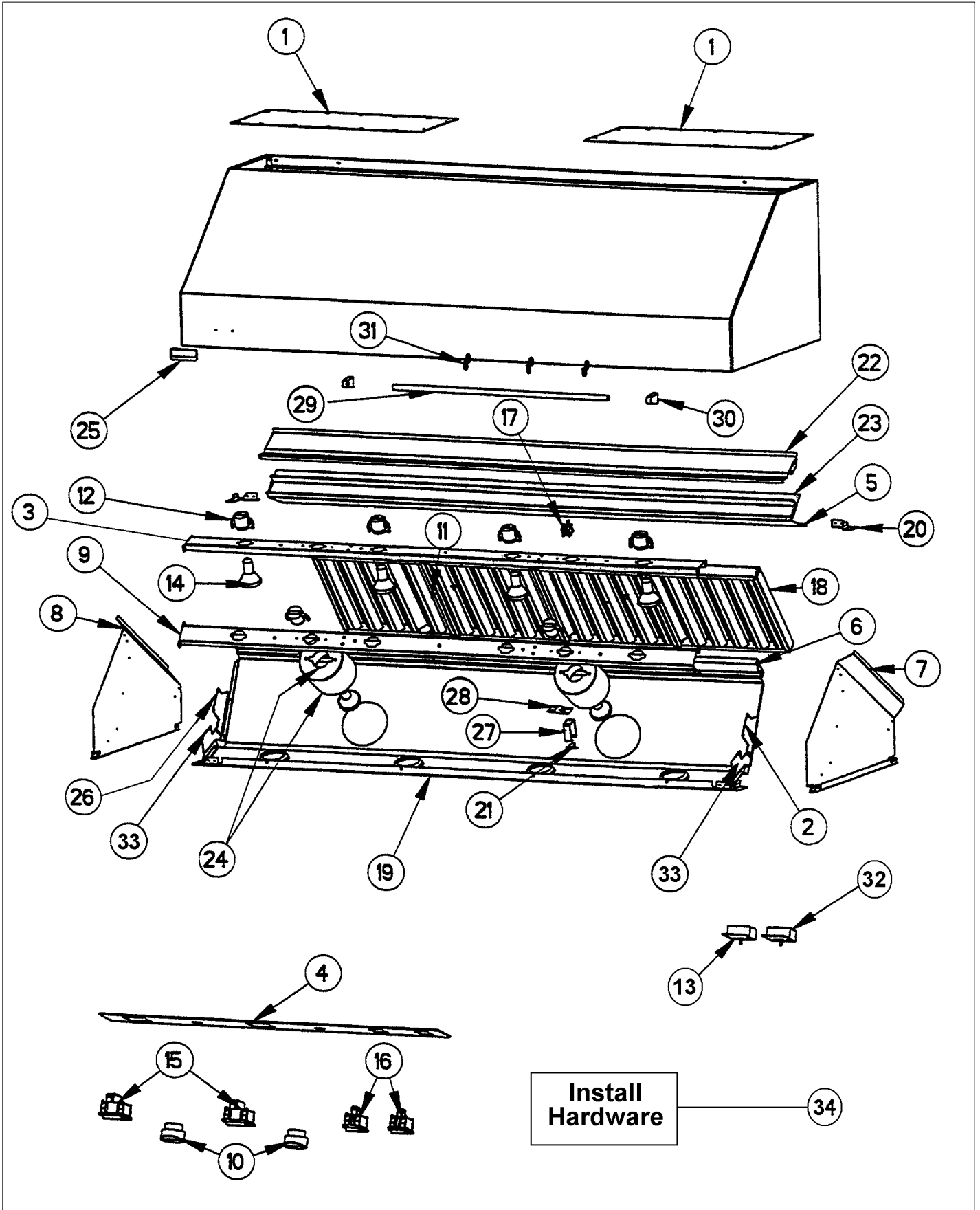
RATING LABEL LOCATION .....	1
UNIT COMPONENTS .....	2
Appendix A:Pages Index .....	A
Appendix B:Parts Index .....	B



RATING LABEL LOCATION

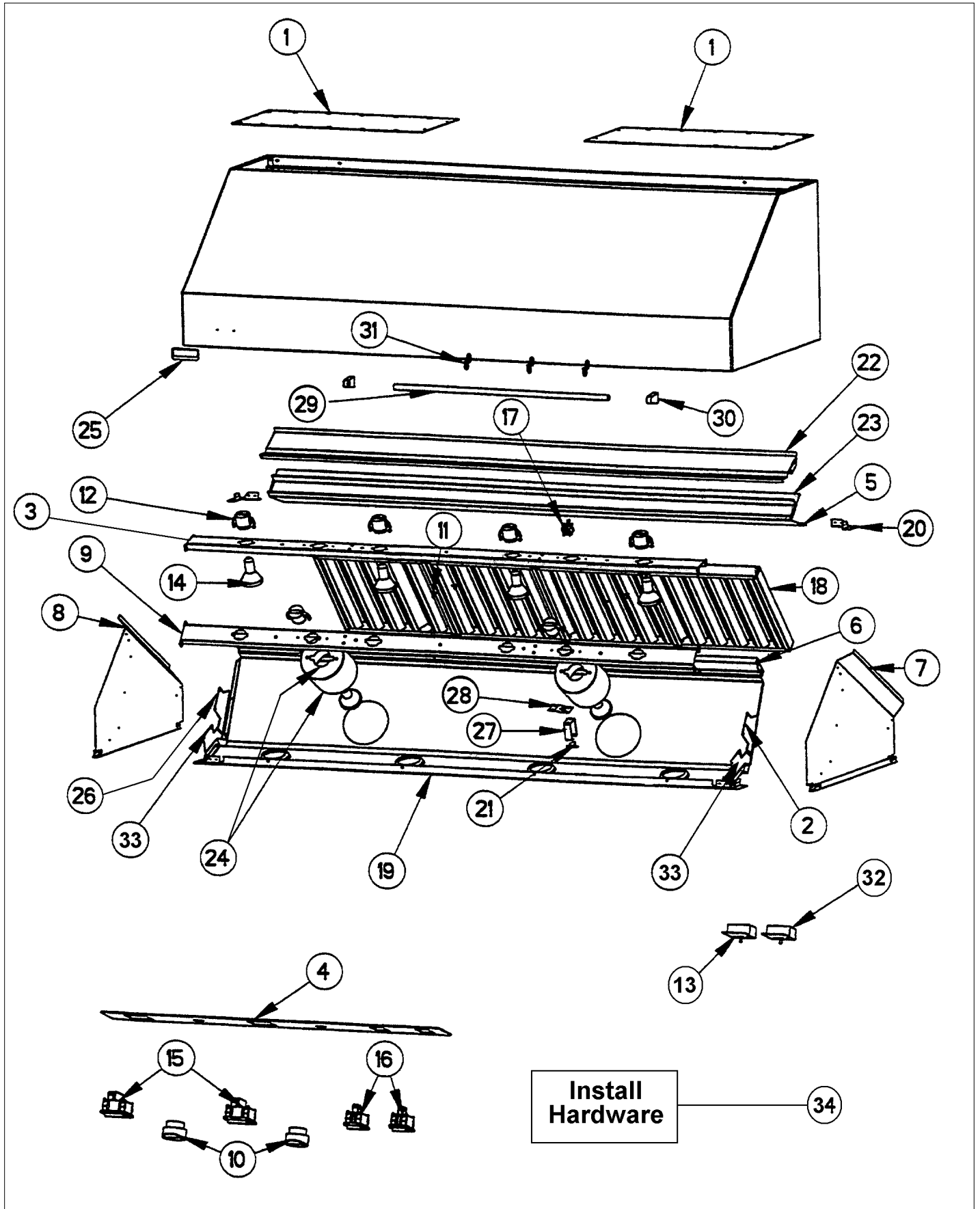


UNIT COMPONENTS



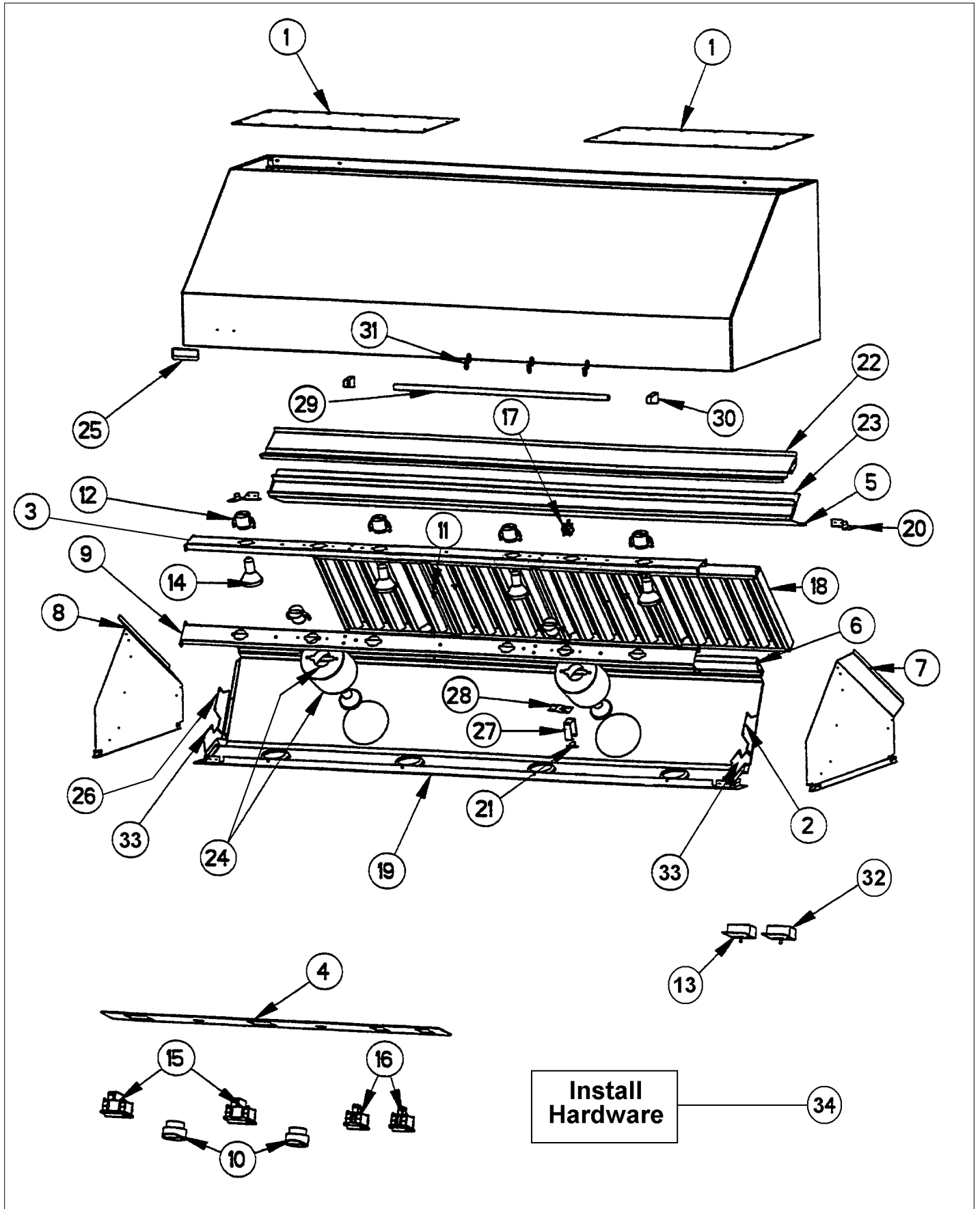


Item	Part No.	Name	Qty	Uom	NOTES
1	G30013930SS	HOOD TOP ASSY *SS* (VWH60T)	1	EA	NO LONGER AVAILABLE, Not available online / Call for pricing and availability
2	N/A	N/A	1	EA	
3	B20011083	BTM LIGHT SUPPORT *SS* (VWH60T)	1	EA	NO LONGER AVAILABLE, Not available online / Call for pricing and availability
4	PE040131	CTRL PNL GRPH REPL (30/3610 36/4208)	1	EA	
5	B2004035	HOOD FILTER SUPT BTM (VWH6078)	1	EA	NO LONGER AVAILABLE
6	N/A	N/A	1	EA	
7	B20010222	LH I/S SIDE (78 SERIES VWH)	1	EA	NO LONGER AVAILABLE
Not Shown	B20012493	I/S SIDE -LH	1	EA	NO LONGER AVAILABLE
8	B20010221	RH I/S SIDE (78 SERIES VWH)	1	EA	NO LONGER AVAILABLE
Not Shown	B20012492	I/S SIDE - RH	1	EA	
9	N/A	N/A	1	EA	
10	PA010071	LIGHT/MOTOR CONTROLLER KNOB	1	EA	
11	PD010037	#10-24 WELD STUD	1	EA	NO LONGER AVAILABLE
Not Shown	NOTE	(Part of Item #1)		EA	
12	013549-000	LIGHT SOCKET (125C LEADS)	1	EA	
13	PE050141	PRO LIGHT CONTROL	1	EA	
14	PE050034	HALOGEN BULB 50W	1	EA	
15	PE050048	FAN/LIGHT SWITCH (HOODS) EP0M11J	1	EA	
16	N/A	N/A	1	EA	
17	PE070197	MALE SOCKET (3 PRONG)	1	EA	
NI	PE070196	FEMALE SOCKET (2 PRONG)	1	EA	
18	G3104046	BAFFLE FILTER ASSY (18" HOODS) 13.375 X 14	1	EA	



Item	Part No.	Name	Qty	Uom	NOTES
19	B20010253	CONTROL PANEL FORMED (VWH6078T)	1	EA	NO LONGER AVAILABLE, Not available online / Call for pricing and availability
20	B2003817	SS CORNER BRCKETS (VWH T)	1	EA	
21	PJ030014	HEAT SENSOR (N.O.) 160 DEG.	1	EA	
22	B2004036	HOOD FILTER SUPT TOP (VWH6078)	1	EA	NO LONGER AVAILABLE, Not available online / Call for pricing and availability
Not Shown	B20011027	FILTER SUPPORT TOP	1	EA	NO LONGER AVAILABLE
23	B2003944	GREASE TROUGH (VWH6048/78)	1	EA	
24	N/A	N/A	1	EA	
NI	PD020055	#10 X 1/2" PAN PHIL. TEK. SS	1	EA	
NI	PC040014	POP RIVOT-SS42 *SS*	1	EA	
NI	PD020010	10 X 3/8 GREEN GROUNDING SCREW	1	EA	
NI	PD030044	10-24 KEPS NUT *SS*	1	EA	
NI	PD020080	#10 X 1" PH. TRUSS SMS *SS*(AD1820)	1	EA	NO LONGER AVAILABLE
NI	B2003945	FILTER SPACER 60" 3.179 x 14	1	EA	
NI	PD030059	TINNERMAN CLIP U-TYPE FASTNER	1	EA	
25	PE010142	3" LOGO *BK**CHROME	1	EA	
Not Shown	PE010143	3" LOGO, BK/BR	1	EA	
Not Shown	PE010144	3" LOGO *WH*CHROME	1	EA	NO LONGER AVAILABLE
Not Shown	PE010145	LOGO - WH / BR	1	EA	
NI	PD030006	CAPPED WASHER PAL NUT	1	EA	
26	N/A	N/A	1	EA	
27	B2003810	SS THERMODISC BRKT (VWHT)	1	EA	NO LONGER AVAILABLE, Not available online / Call for pricing and availability
NI	PE030052	SUPPORT TUBE, HOLE THROUGH	1	EA	







Item	Part No.	Name	Qty	Uom	NOTES
Not Shown	PE030053	MIDDLE RAIL SUPPORT - BR	1	EA	
NI	PE070527	VWH6078T -- WIRING HARNESS	1	EA	NO LONGER AVAILABLE, Not available online / Call for pricing and availability
28	N/A	N/A	1	EA	
29	PE030123	60" FRONT/REAR ACCESS RAIL *SS*	1	EA	
Not Shown	F0003872	60" - *BR* CUT TO SIZE FRONT/REAR R	1	EA	NO LONGER AVAILABLE, Not available online / Call for pricing and availability
30	PE030054	END CAP - SS	1	EA	
Not Shown	PE030055	END CAP - BR	1	EA	
31	PE030076	CHROME "S" HOOKS REPL PV100012SS	1	EA	
Not Shown	PE030077	BR 'S' HOOKS REPL PV100012BR	1	EA	
32	PE050156	PRO BLOWER CONTROL	1	EA	
33	B20011005	LIGHT SUPPORT BRTK *SS* (VWH60T)	1	EA	NO LONGER AVAILABLE, Not available online / Call for pricing and availability
34	PD030010	#10-24 KEPS NUT ZINC PLATED	1	EA	
Not Shown	NOTE	Installation Hardware - Qty. 4		EA	
Not Shown	PD020009	10 X 1 PH. HD. PAN HD. SMS	1	EA	
Not Shown	NOTE	Installation Hardware - Qty. 6		EA	
NI	B20012466	FILTER SUPPORT BRACKET	1	EA	NO LONGER AVAILABLE, Not available online / Call for pricing and availability



Appendix A:Pages Index

RATING LABEL LOCATION ..... 1  
UNIT COMPONENTS ..... 2



Appendix B:Parts Index

013549-000	2	PE030123	2
B20010221	2	PE040131	2
B20010222	2	PE050034	2
B20010253	2	PE050048	2
B20011005	2	PE050141	2
B20011027	2	PE050156	2
B20011083	2	PE070196	2
B20012466	2	PE070197	2
B20012492	2	PE070527	2
B20012493	2	PJ030014	2
B2003810	2		
B2003817	2		
B2003944	2		
B2003945	2		
B2004035	2		
B2004036	2		
F0003872	2		
G30013930SS	2		
G3104046	2		
PA010071	2		
PC040014	2		
PD010037	2		
PD020009	2		
PD020010	2		
PD020055	2		
PD020080	2		
PD030006	2		
PD030010	2		
PD030044	2		
PD030059	2		
PE010142	2		
PE010143	2		
PE010144	2		
PE010145	2		
PE030052	2		
PE030053	2		
PE030054	2		
PE030055	2		
PE030076	2		
PE030077	2		