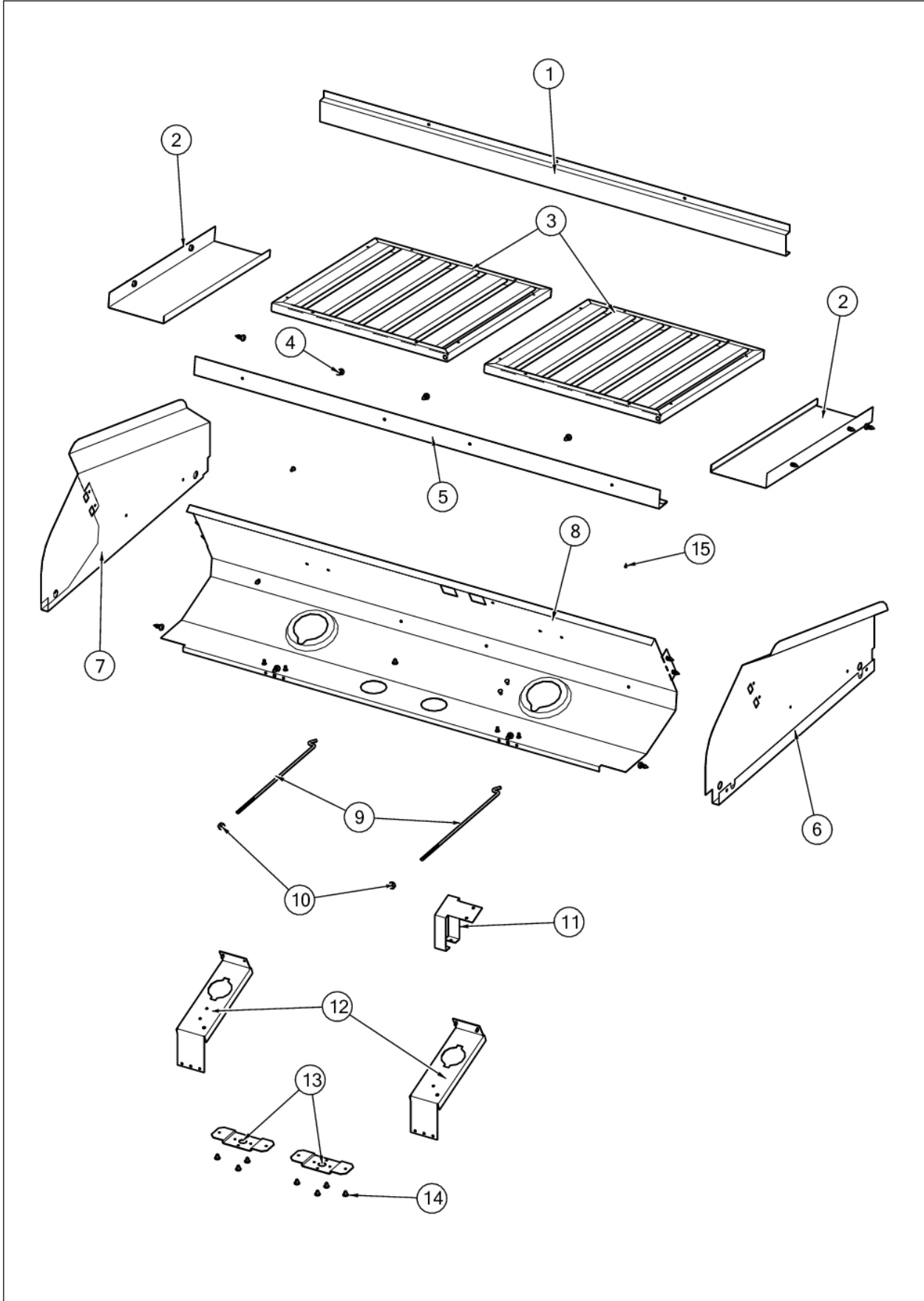


**VWH53612**

BASE .....	1
CANOPY .....	2
ELECTRICAL - 1 .....	3
ELECTRICAL - 2 .....	4
Appendix A:Pages Index .....	A
Appendix B:Parts Index .....	B



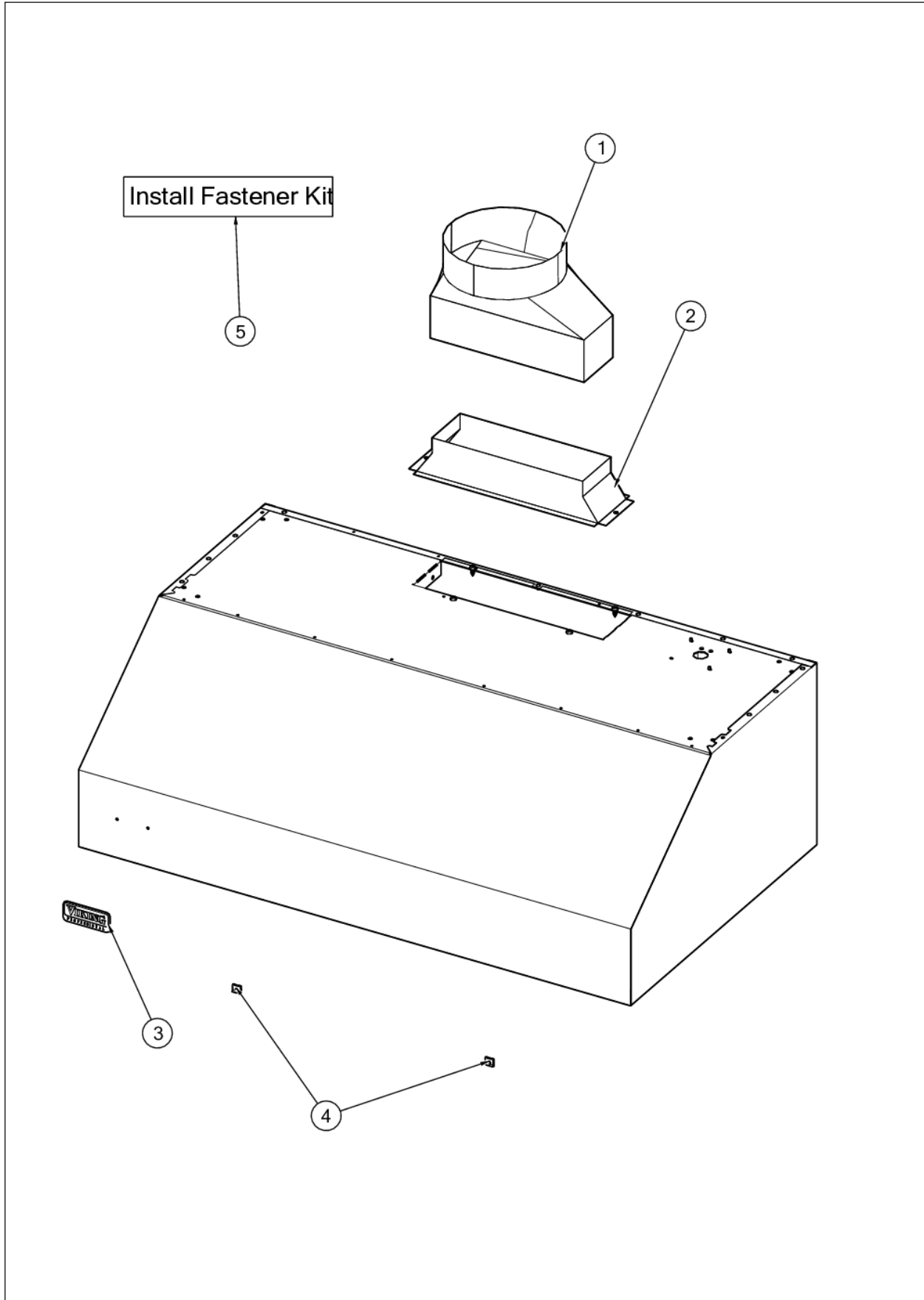
BASE





Item	Part No.	Name	Qty	Uom	NOTES
1	044871-000	FILTER, BACK, SPACER, 36"	1	EA	Not available online / Call for pricing and availability
2	044876-000	SPACER, FLTR, 36"	2	EA	
3	G31010264	FILTER ASSEMBLY (VWH30/3610) 12.875 x 12.5	2	EA	
4	PD020087	10 X 1/2 PAN PH. TEK ZINC	1	EA	
5	044877-000	FILTER, SPRT, 36"	1	EA	Not available online / Call for pricing and availability
6	043704-000	PANEL, HOOD, IS, RH	1	EA	
7	043703-000	PANEL, HOOD, IS, LH	1	EA	
8	044875-000	PANEL, CTRL, HOOD, 36"	1	EA	Not available online / Call for pricing and availability
9	PD010035	BLOWER MTG ROD #10-24 99420464	2	EA	
10	PD030010	#10-24 KEPS NUT ZINC PLATED	2	EA	
11	045696-000	BRACKET, T'STAT, 12" HIGH HOODS	1	EA	
12	043705-000	SUPPORT, LT	2	EA	
13	043160-000	SUPPORT, SW	2	EA	
14	046821-000	8 X 1/4" AB, PH PAN HD S/M/S Z/P	1	EA	
15	PC040010	POP RIVET (.063/GR -.125) GAMD42-A	1	EA	

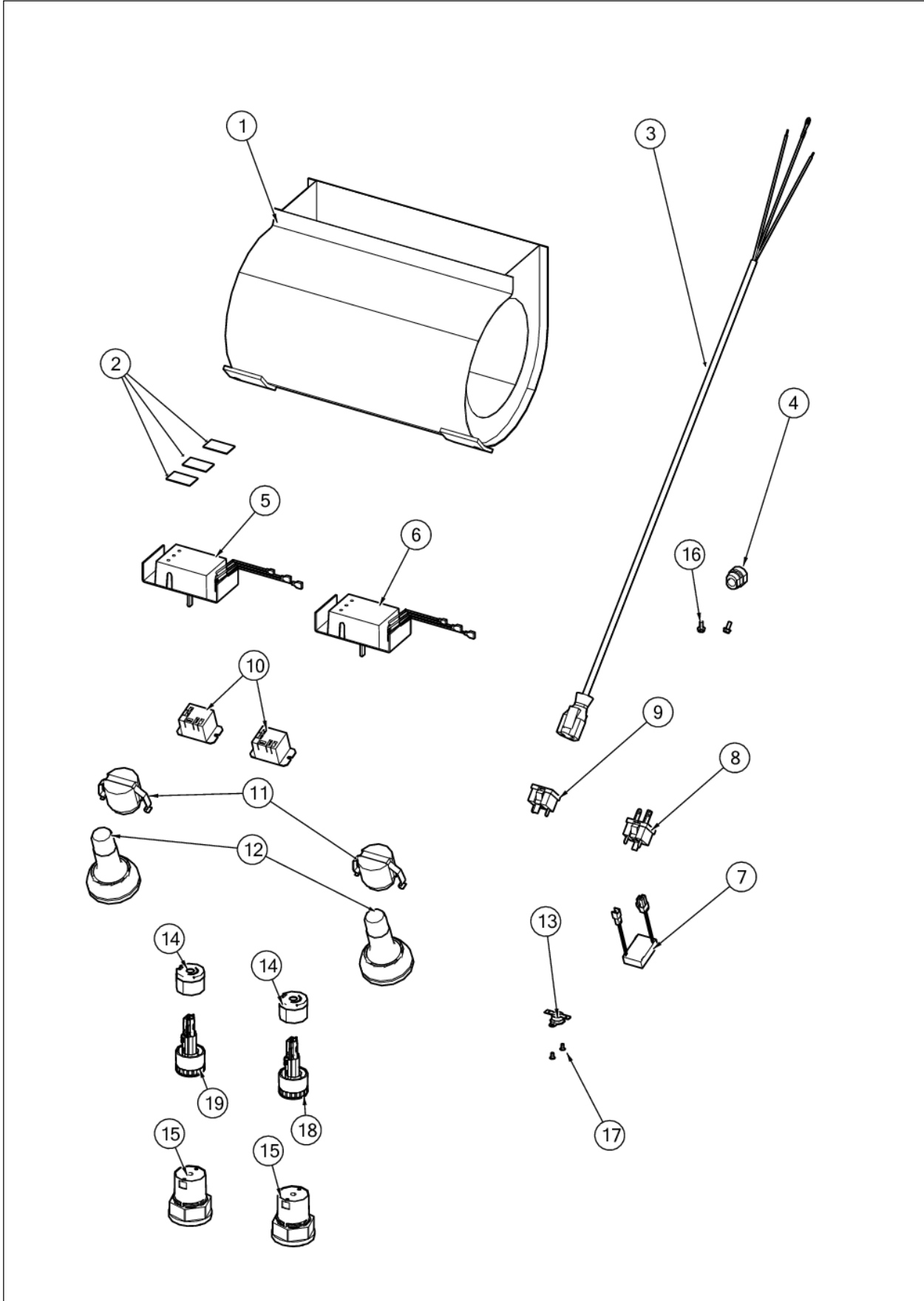
CANOPY





Item	Part No.	Name	Qty	Uom	NOTES
1	PM010045	3 1/4" X 10" RECT. TO 7" DIA(TRANS)	1	EA	
2	PE050043	DAMPER/TRANSITION 460 CFM 97006078	1	EA	
3	PE010142	3" LOGO *BK**CHROME	1	EA	
4	PD030059	TINNERMAN CLIP U-TYPE FASTNER	2	EA	
5	046654-000	INSTALL FASTENER KIT	1	EA	
NI	PD030006	CAPPED WASHER PAL NUT	2	EA	

ELECTRICAL - 1

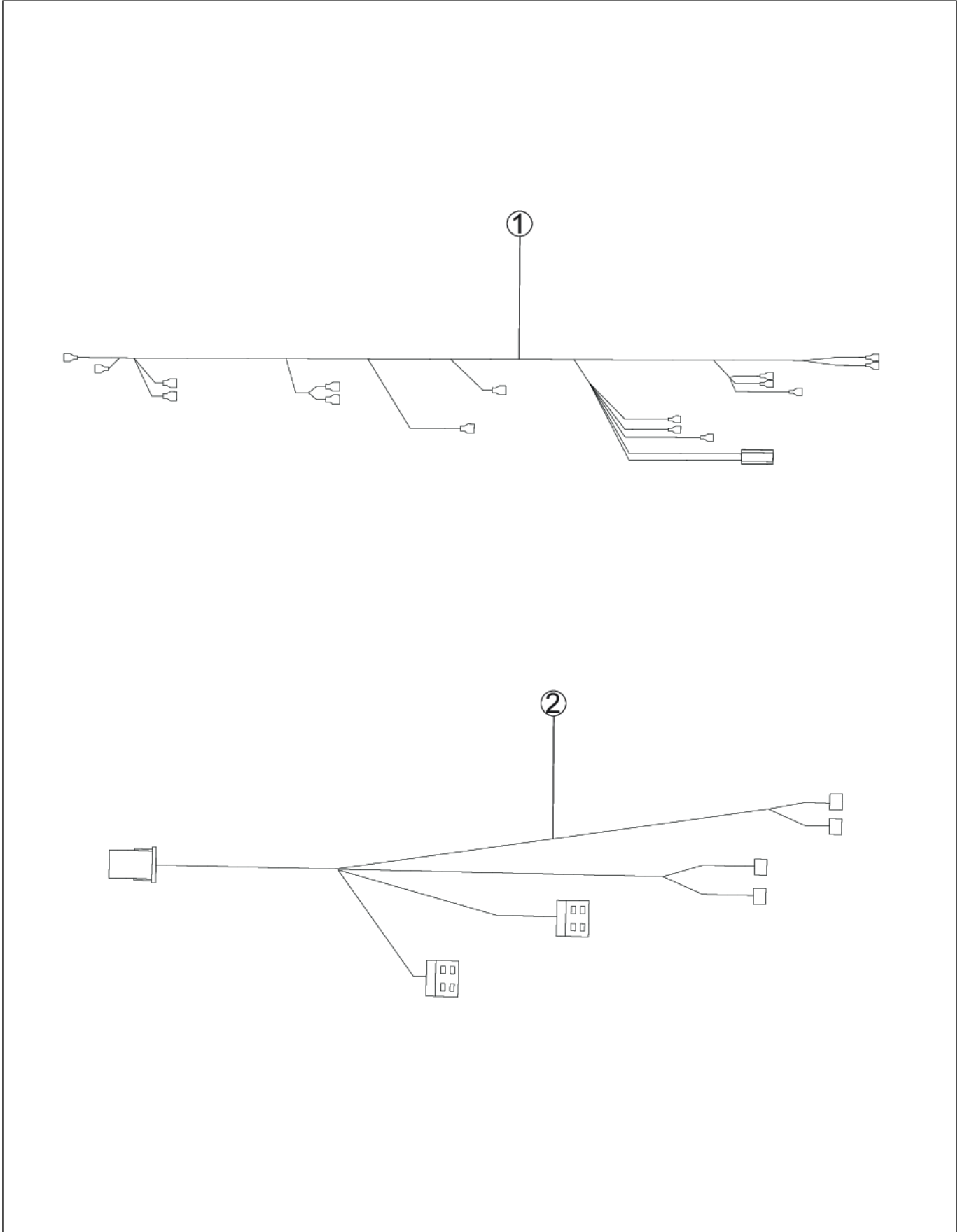






Item	Part No.	Name	Qty	Uom	NOTES
1	PE050042	BLOWER INT 460 CFM 97007542	1	EA	
2	046408-000	STRIP, TAPE- 1.250" X .750"	3	EA	
3	039680-000	CORD, PWR, SUPPLY, VNT HD	1	EA	
4	PE070204	HEYCO STRAIN RELIEF - 7-P2	1	EA	
5	070880-000	Dimmer Switch Kit	1	EA	
6	070881-000	Fan Switch Kit	1	EA	See 2018-04P Parts Bulletin
7	071494-000	Ventilation Power Supply Kit (See TV-0014-SP Bulletin )	1	EA	
8	PE070197	MALE SOCKET (3 PRONG)	1	EA	
9	PE070541	3-PRONG FEMALE SOCKET	1	EA	
10	045078-000	RELAY, PWR, MINI, 30 AMP (AZ2280-1A-120AF)	2	EA	
11	013549-000	LIGHT SOCKET (125C LEADS)	2	EA	
12	045062-000	BULB, LED LIGHT	2	EA	
13	PJ030014	HEAT SENSOR (N.O.) 160 DEG.	1	EA	
14	044954-000	RING, LED, LIGHT ASSY (H&S # M5160108002)	2	EA	
15	044956-000	HOUSING, KNOB ASSY (H&S # M525000570)	2	EA	
16	PD020010	10 X 3/8 GREEN GROUNDING SCREW	2	EA	
17	PC040010	POP RIVET (.063/GR -.125) GAMD42-A	2	EA	
18	046599-000	KNOB, SW, LIGHT (H & S V5211 019 206 006)	1	EA	
19	046644-000	KNOB, SW, FAN (H & S V5211 019 206 005)	1	EA	

ELECTRICAL - 2





Item	Part No.	Name	Qty	Uom	NOTES
1	045952-000	HARNESS, W, 12H HOOD, 30/36ÅÅ	1	EA	Not available online / Call for pricing and availability
2	046354-000	HARNESS, JMPR, P.S.- RELAY- LED	1	EA	



Appendix A:Pages Index

BASE .....	1
CANOPY .....	2
ELECTRICAL - 1 .....	3
ELECTRICAL - 2 .....	4



Appendix B:Parts Index

PM010045 ..... 2

013549-000 ..... 3

039680-000 ..... 3

043160-000 ..... 1

043703-000 ..... 1

043704-000 ..... 1

043705-000 ..... 1

044871-000 ..... 1

044875-000 ..... 1

044876-000 ..... 1

044877-000 ..... 1

044954-000 ..... 3

044956-000 ..... 3

045062-000 ..... 3

045078-000 ..... 3

045696-000 ..... 1

045952-000 ..... 4

046354-000 ..... 4

046408-000 ..... 3

046599-000 ..... 3

046644-000 ..... 3

046654-000 ..... 2

046821-000 ..... 1

070880-000 ..... 3

070881-000 ..... 3

071494-000 ..... 3

G31010264 ..... 1

PC040010 ..... 1, 3

PD010035 ..... 1

PD020010 ..... 3

PD020087 ..... 1

PD030006 ..... 2

PD030010 ..... 1

PD030059 ..... 2

PE010142 ..... 2

PE050042 ..... 3

PE050043 ..... 2

PE070197 ..... 3

PE070204 ..... 3

PE070541 ..... 3

PJ030014 ..... 3