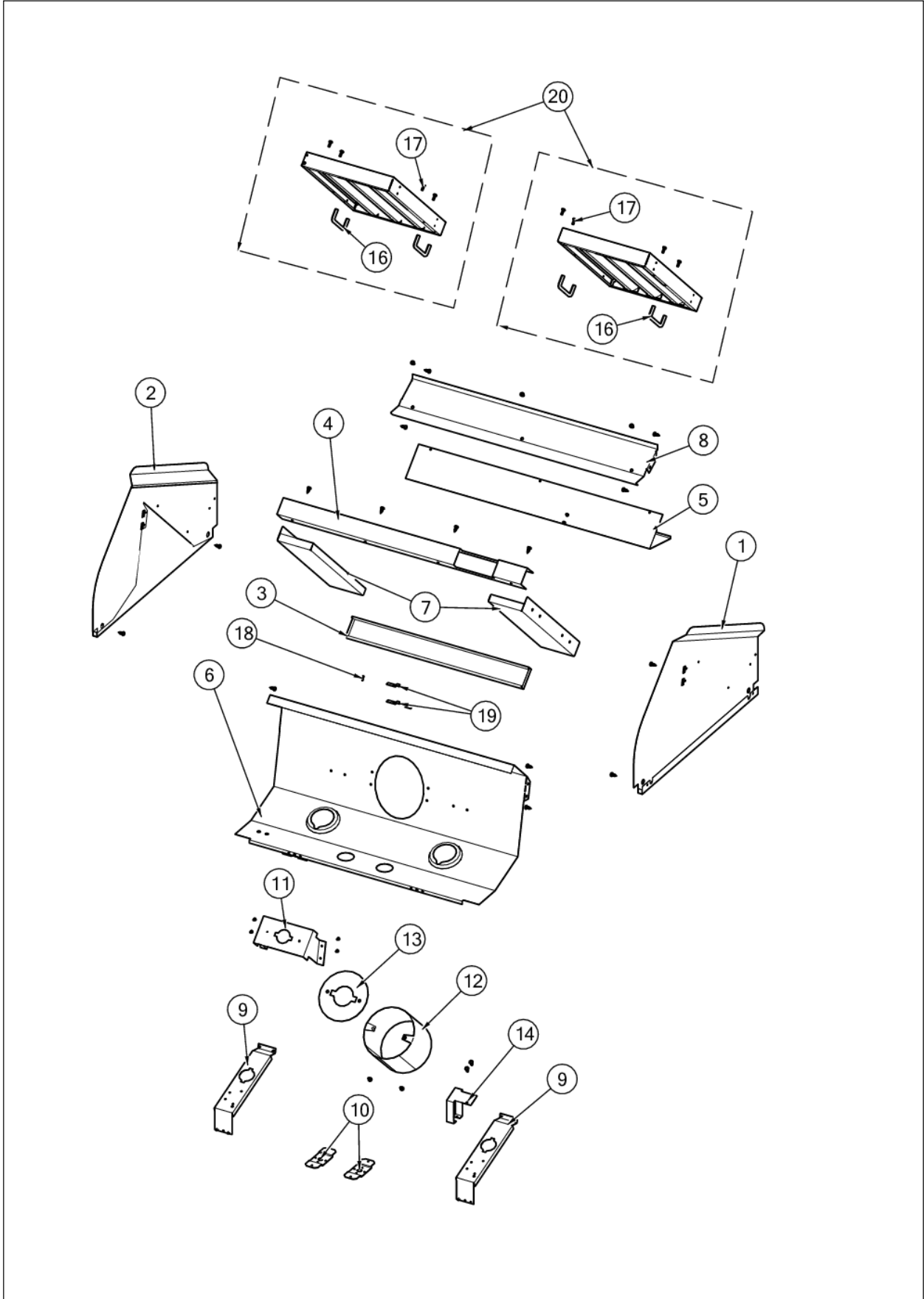


VWH53048

BASE	1
CANOPY	2
ELECTRICAL - 1	3
ELECTRICAL - 2	4
Appendix A:Pages Index	A
Appendix B:Parts Index	B

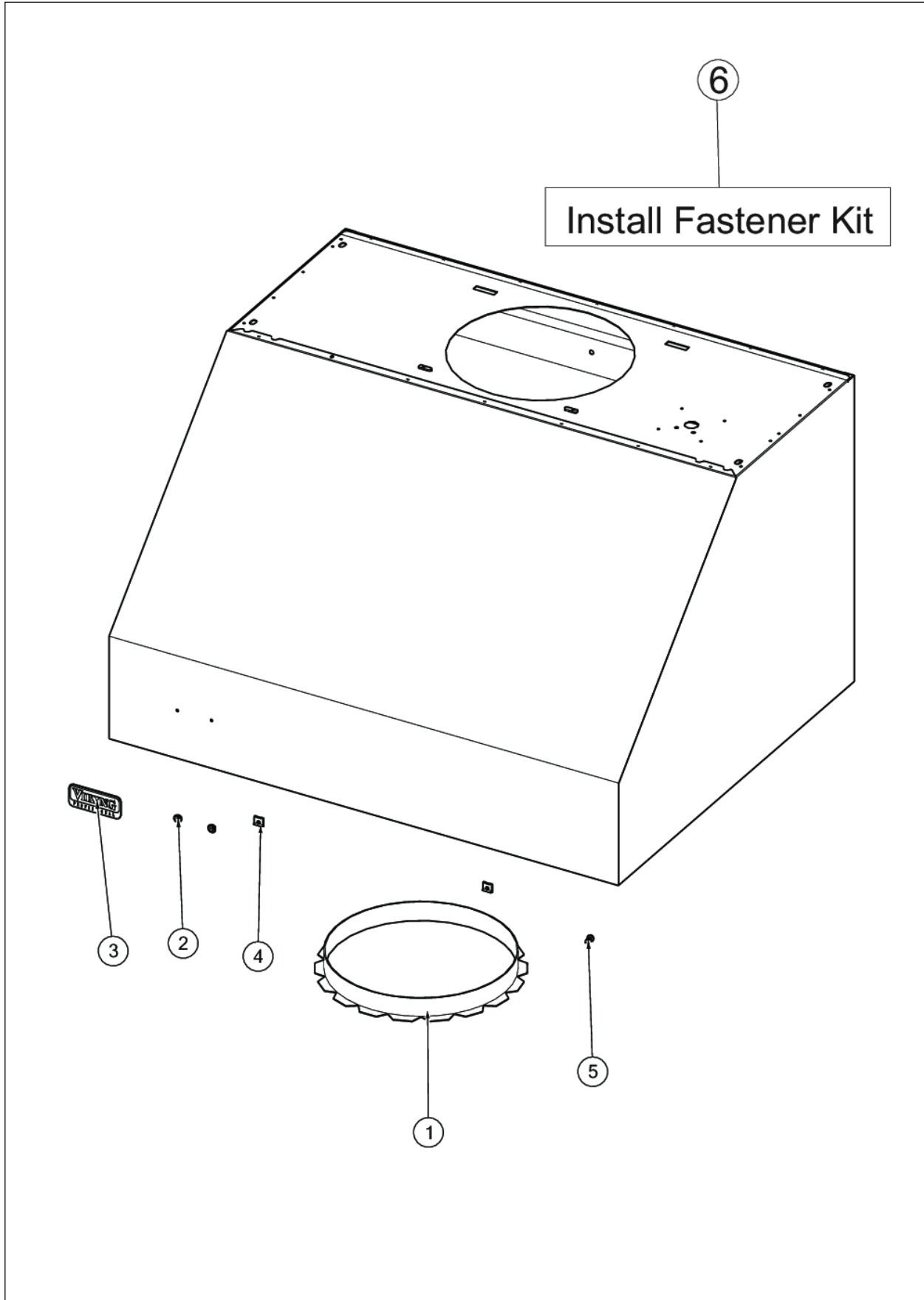
BASE





Item	Part No.	Name	Qty	Uom	NOTES
1	042583-000	PANEL, HOOD, IS, RH	1	EA	
2	042582-000	PANEL, HOOD, IS, LH	1	EA	
3	043133-000	TROUGH, GRS, 30"	1	EA	
4	046259-000	SUPPORT, FLTR, BRKT, 30"	1	EA	Not available online / Call for pricing and availability
5	039635-000	SUPPORT, FLTR, REAR, BOT	1	EA	
6	046257-000	PANEL, CTRL, HOOD, 30"	1	EA	
7	048939-000	SPACER, FLTR, 30"	2	EA	
8	039622-000	SUPPORT, FLTR, TOP	1	EA	
9	042621-000	SUPPORT, LT	2	EA	
10	043160-000	SUPPORT, SW	2	EA	
11	042711-000	SUPPORT, LAMP, HEAT	1	EA	
12	G31012427	HEAT LAMP COWLING ASSY	1	EA	
13	A2003889	COWLING BRKT	1	EA	Not available online / Call for pricing and availability
14	045696-000	BRACKET, T'STAT, 12" HIGH HOODS	1	EA	
15	PD020087	10 X 1/2 PAN PH. TEK ZINC	1	EA	
16	037561-000	HANDLE, CHROME 3"	4	EA	Not available online / Call for pricing and availability
17	038627-000	8-32 X 3/8 PH, PAN, EXT, L/W SEMS SS	8	EA	Not available online / Call for pricing and availability
18	048311-000	THREAD #8-18, TYPE AB	1	EA	Not available online / Call for pricing and availability
19	047860-000	BRACKET, STANDOFF	2	EA	
20	038862-000	FILTER ASM, W/HANDLES	2	EA	

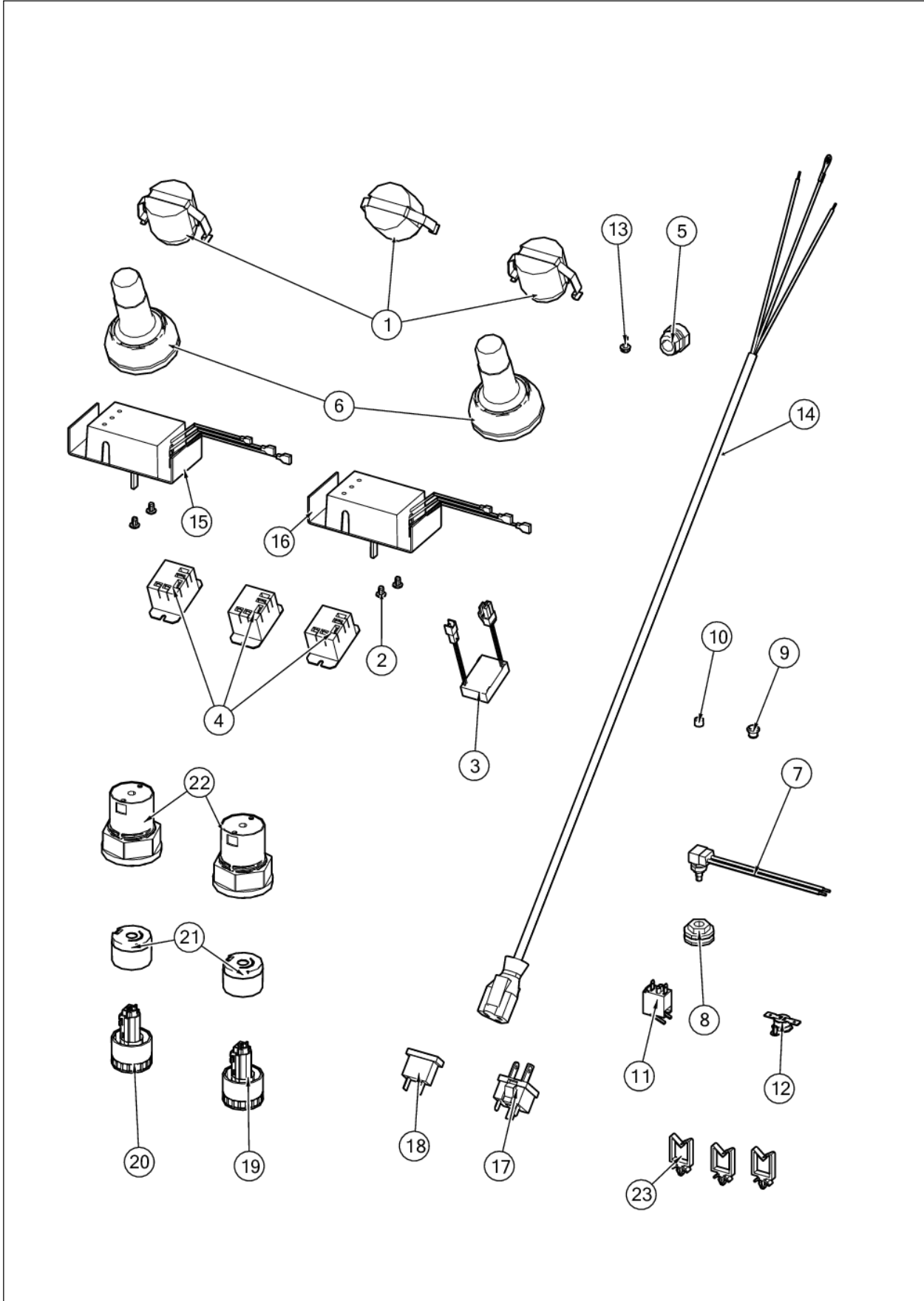
CANOPY



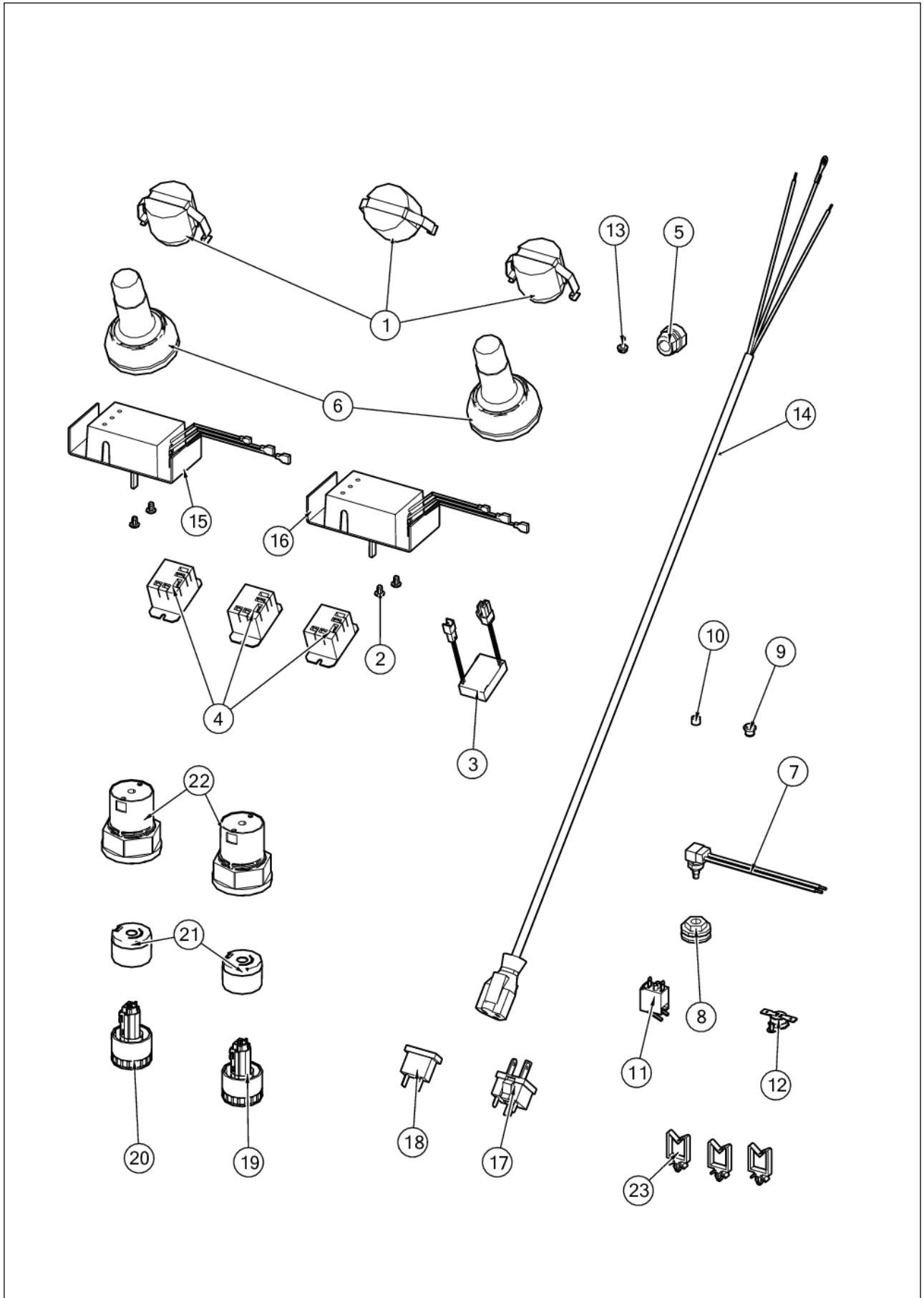


Item	Part No.	Name	Qty	Uom	NOTES
1	A2005019	DCWH HOOD TOP TRANSITIONÅÅ	1	EA	Not available online / Call for pricing and availability
2	PD030006	CAPPED WASHER PAL NUT	2	EA	
3	PE010142	3" LOGO *BK**CHROME	1	EA	
4	PD030059	TINNERMAN CLIP U-TYPE FASTNER	2	EA	
5	PD020087	10 X 1/2 PAN PH. TEK ZINC	1	EA	
6	046392-000	KIT, INSTL, FASTENER ASSY	1	EA	

ELECTRICAL - 1



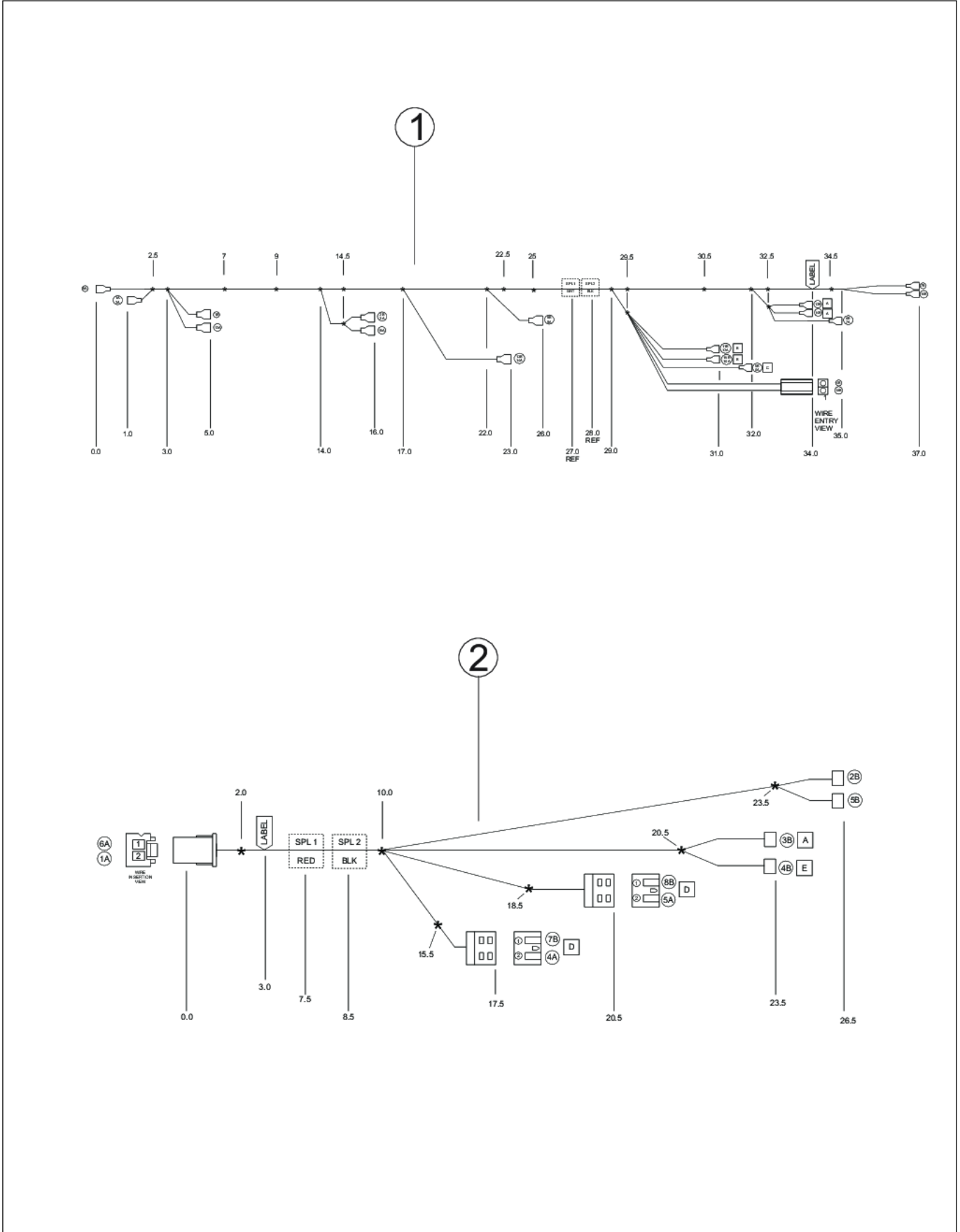
Item	Part No.	Name	Qty	Uom	NOTES
1	057244-000	LAMPHOLDER, HOOD, 230VAC, ASSY	3	EA	
2	PD920162	SCR 8-16 PLASTITE PNP 1/4 S	4	EA	
3	071494-000	Ventilation Power Supply Kit (See TV-0014-SP Bulletin)	1	EA	
4	057316-000	RELAY, PWR, 200/240VAC ASSY	3	EA	
5	PE070209	STRAIN RELIEF	1	EA	Not available online / Call for pricing and availability
6	057209-000	LAMP, HOOD, 230V	2	EA	
7	G40015469	DESIGNER OVEN LIGHT SWITCH	1	EA	
8	036576-000	LIGHT SWITCH HOLDER W/DOUBLE SIDED TAPE	1	EA	
9	027968-000	LENS, BLUE	1	EA	
10	PA010093	DESIGNER OVEN LT SWITCH KNOB	1	EA	
11	015170-000	HOUSING, LIGHT, BLUE NEON, 125V	1	EA	
12	PJ030014	HEAT SENSOR (N.O.) 160 DEG.	1	EA	
13	PD020010	10 X 3/8 GREEN GROUNDING SCREW	1	EA	
14	039680-000	CORD, PWR, SUPPLY, VNT HD	1	EA	
15	070880-000	Dimmer Switch Kit	1	EA	
16	070881-000	Fan Switch Kit	1	EA	See 2018-04P Parts Bulletin
17	PE070197	MALE SOCKET (3 PRONG)	1	EA	
18	PE070196	FEMALE SOCKET (2 PRONG)	1	EA	
19	046644-000	KNOB, SW, FAN (H & S V5211 019 206 005)	1	EA	
20	046599-000	KNOB, SW, LIGHT (H & S V5211 019 206 006)	1	EA	
21	044954-000	RING, LED, LIGHT ASSY (H&S # M5160108002)	2	EA	
22	044956-000	HOUSING, KNOB ASSY (H&S # M525000570)	2	EA	
23	045548-000	CLIP, ROUTING, WIRE	3	EA	
NI	056950-000	HARNESS, JMPR, EVWH5 POWER	1	EA	





Item	Part No.	Name	Qty	Uom	NOTES
NI	058052-000	BOX, JUNCTION, TERMINAL, 690V, SEALED	1	EA	

ELECTRICAL - 2





Item	Part No.	Name	Qty	Uom	NOTES
1	046354-000	HARNESS, JMPR, P.S.- RELAY-LED	1	EA	
2	045952-000	HARNESS, W, 12H HOOD, 30/36AA	1	EA	Not available online / Call for pricing and availability



Appendix A:Pages Index

BASE	1
CANOPY	2
ELECTRICAL - 1	3
ELECTRICAL - 2	4



Appendix B:Parts Index

015170-000	3	G40015469	3
027968-000	3	PA010093	3
036576-000	3	PD020010	3
037561-000	1	PD020087	1, 2
038627-000	1	PD030006	2
038862-000	1	PD030059	2
039622-000	1	PD920162	3
039635-000	1	PE010142	2
039680-000	3	PE070196	3
042582-000	1	PE070197	3
042583-000	1	PE070209	3
042621-000	1	PJ030014	3
042711-000	1		
043133-000	1		
043160-000	1		
044954-000	3		
044956-000	3		
045548-000	3		
045696-000	1		
045952-000	4		
046257-000	1		
046259-000	1		
046354-000	4		
046392-000	2		
046599-000	3		
046644-000	3		
047860-000	1		
048311-000	1		
048939-000	1		
056950-000	3		
057209-000	3		
057244-000	3		
057316-000	3		
058052-000	3		
070880-000	3		
070881-000	3		
071494-000	3		
A2003889	1		
A2005019	2		
G31012427	1		