

VWH4878

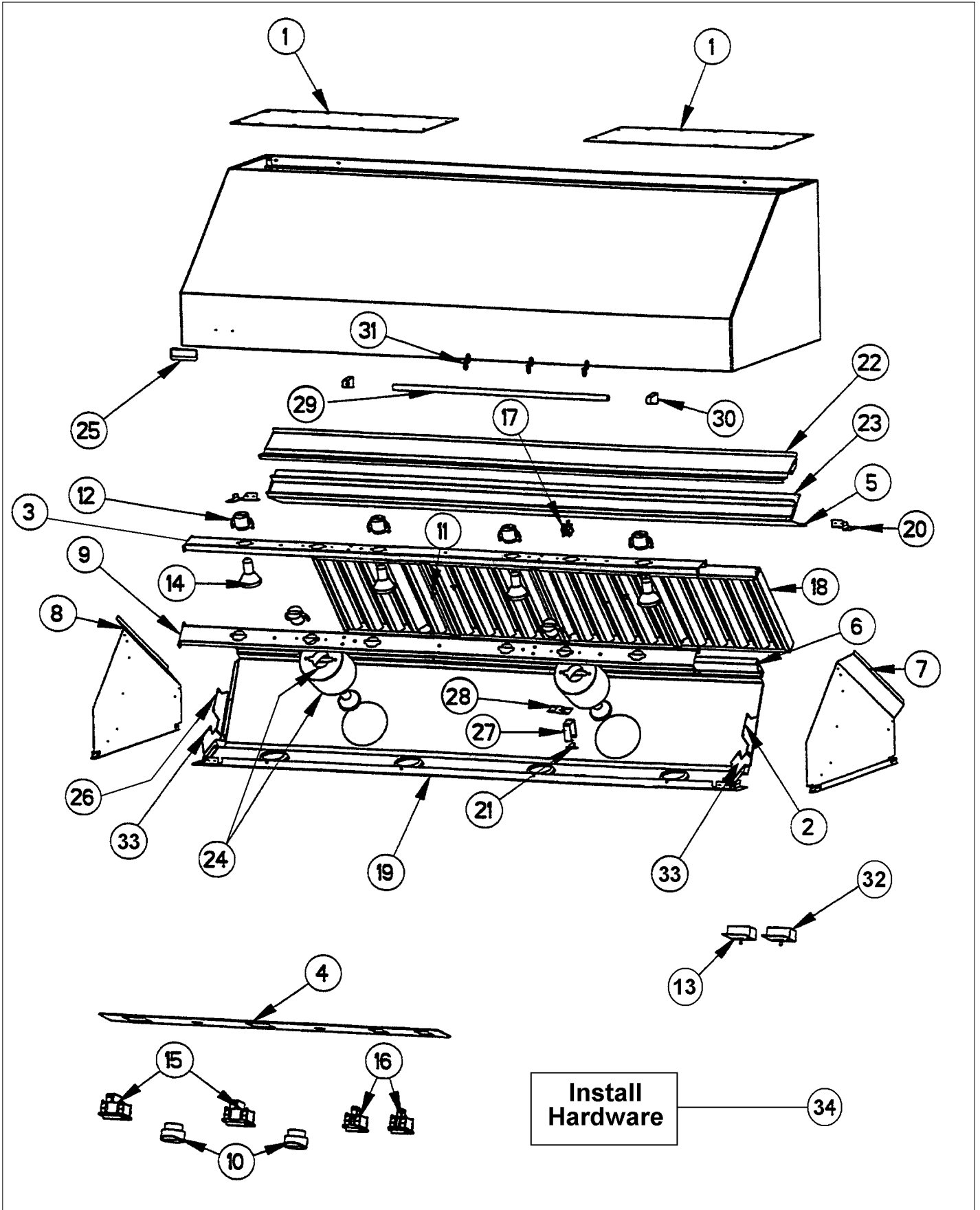
RATING LABEL LOCATION	1
VWH 4878 ASSY.	2
Appendix A:Pages Index	A
Appendix B:Parts Index	B



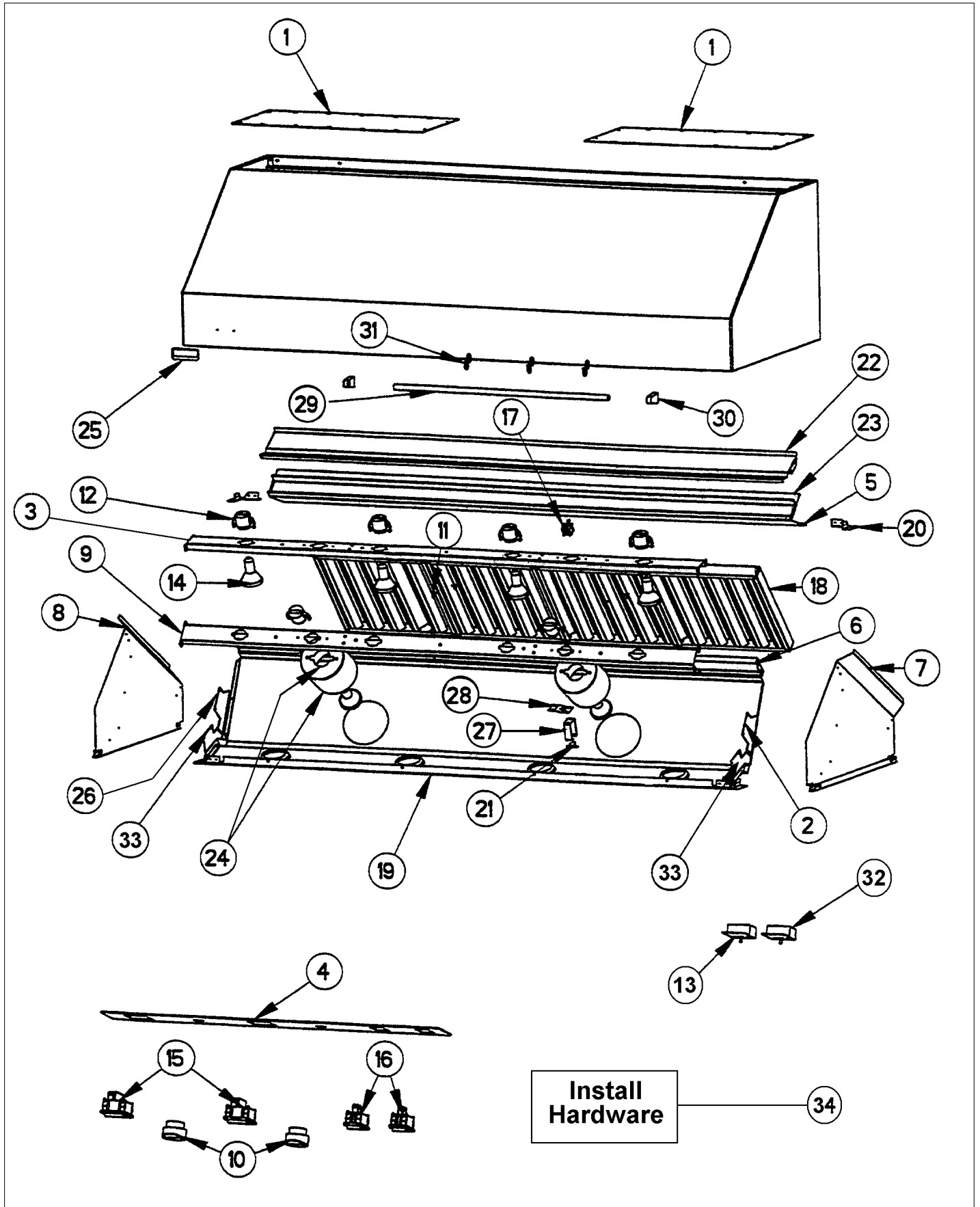
RATING LABEL LOCATION



VWH 4878 ASSY.

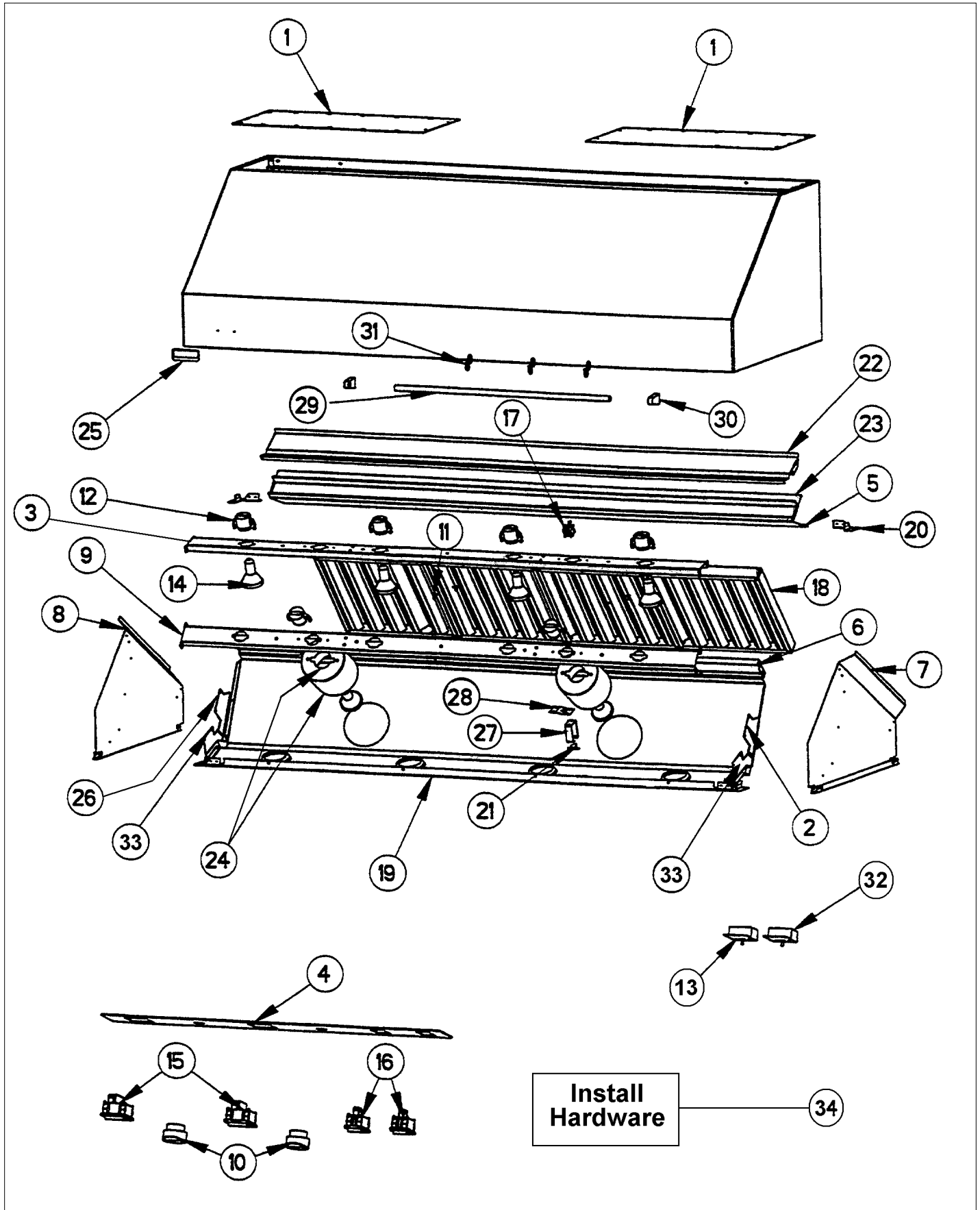


Item	Part No.	Name	Qty	Uom	NOTES
1	G30013928	HOOD TOP ASSY (VWH4848/78)	1	EA	
2	A20010249	LIGHT SUPPORT BRACKET - RH	1	EA	Not available online / Call for pricing and availability
3	A2003889	COWLING BRKT	1	EA	Not available online / Call for pricing and availability
4	PE040134	CONTROL PANEL PLATE	1	EA	
5	B2004017	HOOD FILTER SUPT BTM (VWH4848/4878)	1	EA	NO LONGER AVAILABLE
Not Shown	B20011021	FILTER SUPPORT BTM (VCWH48)	1	EA	
6	B2003903	CTRL PAN TOP (VWH4848)	1	EA	NO LONGER AVAILABLE
7	B2003989	HOOD I/S SIDE LH (27" DEEP)	1	EA	NO LONGER AVAILABLE, Not available online / Call for pricing and availability
Not Shown	B20012493	I/S SIDE -LH	1	EA	NO LONGER AVAILABLE
8	B2003988	HOOD I/S SIDE RH (27" DEEP)	1	EA	NO LONGER AVAILABLE, Not available online / Call for pricing and availability
Not Shown	B20012492	I/S SIDE - RH	1	EA	
9	A20012431	HEAT LAMP SUPPORT (VWH48)	1	EA	
10	PA010071	LIGHT/MOTOR CONTROLLER KNOB	1	EA	
11	PD010037	#10-24 WELD STUD	1	EA	NO LONGER AVAILABLE
Not Shown	NOTE	(Part of Item #1)		EA	
12	013549-000	LIGHT SOCKET (125C LEADS)	1	EA	
13	PE050141	PRO LIGHT CONTROL	1	EA	
14	PE050034	HALOGEN BULB 50W	1	EA	
15	PE050048	FAN/LIGHT SWITCH (HOODS) EP0M11J	1	EA	
16	PE050050	HEAT LAMP SWITCH (A111B1100000)	1	EA	





Item	Part No.	Name	Qty	Uom	NOTES
17	PE070197	MALE SOCKET (3 PRONG)	1	EA	
NI	PE070196	FEMALE SOCKET (2 PRONG)	1	EA	
18	G3104046	BAFFLE FILTER ASSY (18" HOODS) 13.375 X 14	1	EA	
19	B2004015	CTRL PAN FORMED (VWH4878)	1	EA	NO LONGER AVAILABLE, Not available online / Call for pricing and availability
Not Shown	B20010215	CONTROL PANEL FORMED (VWH4878)	1	EA	NO LONGER AVAILABLE
20	A2103817	CORNER BRACKET	1	EA	
21	PJ030014	HEAT SENSOR (N.O.) 160 DEG.	1	EA	
22	B2004009	HOOD FILTER SUPT TOP (VWH4278)	1	EA	
23	B2003906	GREASE TROUGH (VWH4848/78)	1	EA	
24	G31012427	HEAT LAMP COWLING ASSY	1	EA	
NI	PD020004	10X3/8PH.HD.TYPE 25 REPL PD040125	1	EA	
NI	PC040010	POP RIVET (.063/GR -.125) GAMD42-A	1	EA	
NI	PD020010	10 X 3/8 GREEN GROUNDING SCREW	1	EA	
NI	PD030044	10-24 KEPS NUT *SS*	1	EA	
NI	PD020009	10 X 1 PH. HD. PAN HD. SMS	1	EA	
NI	B2003911	FILTER SPACER 48" 2.25 X 14	1	EA	
NI	PD030059	TINNERMAN CLIP U-TYPE FASTNER	1	EA	
25	PE010142	3" VIKING LOGO BLACK/CHROME	1	EA	
Not Shown	PE010143	3" LOGO BK/BR	1	EA	
Not Shown	PE010144	3" LOGO *WH*CHROME	1	EA	NO LONGER AVAILABLE
Not Shown	PE010145	LOGO - WH / BR	1	EA	
NI	PD030006	CAPPED WASHER PAL NUT	1	EA	
26	A20010250	BOTTOM LIGHT SUPPORT BRACKET - LH	1	EA	Not available online / Call for pricing and availability





Item	Part No.	Name	Qty	Uom	NOTES
27	A2103810	THERMODISC BRACKET VWH/VIH	1	EA	
28	B2003837	HEAT SENSOR BRKT	1	EA	
29	PE030066	48" ACCESORY RAIL SS	1	EA	
Not Shown	PE030067	48" ACCESSORY RAIL BR	1	EA	NO LONGER AVAILABLE
NI	PE030052	SUPPORT TUBE, HOLE THROUGH	1	EA	
Not Shown	PE030053	MIDDLE RAIL SUPPORT - BR	1	EA	
30	PE030054	END CAP - SS	1	EA	
Not Shown	PE030055	END CAP - BR	1	EA	
31	PE030076	CHROME "S" HOOKS REPL PV100012SS	1	EA	
Not Shown	PE030077	BR 'S' HOOKS REPL PV100012BR	1	EA	
NI	J4003912	WIRING HARNESS (VWH4848)	1	EA	NO LONGER AVAILABLE
32	PE050156	PRO BLOWER CONTROL	1	EA	
33	A20011005	BOTTOM LIGHT SUPT BRKT (VWH/VBCV/VCWH)	1	EA	NO LONGER AVAILABLE, Not available online / Call for pricing and availability
34	PD030010	#10-24 KEPS NUT ZINC PLATED	1	EA	
Not Shown	NOTE	Installation Hardware - Qty. 4		EA	
Not Shown	PD020009	10 X 1 PH. HD. PAN HD. SMS	1	EA	
Not Shown	NOTE	Installation Hardware - Qty. 6		EA	
NI	B20012464	FILTER SUPPORT BRKT (VWH48)	1	EA	



Appendix A:Pages Index

RATING LABEL LOCATION 1
VWH 4878 ASSY. 2



Appendix B:Parts Index

013549-000	2	PE030052	2
A20010249	2	PE030053	2
A20010250	2	PE030054	2
A20011005	2	PE030055	2
A20012431	2	PE030066	2
A2003889	2	PE030067	2
A2103810	2	PE030076	2
A2103817	2	PE030077	2
B20010215	2	PE040134	2
B20011021	2	PE050034	2
B20012464	2	PE050048	2
B20012492	2	PE050050	2
B20012493	2	PE050141	2
B2003837	2	PE050156	2
B2003903	2	PE070196	2
B2003906	2	PE070197	2
B2003911	2	PJ030014	2
B2003988	2		
B2003989	2		
B2004009	2		
B2004015	2		
B2004017	2		
G30013928	2		
G31012427	2		
G3104046	2		
J4003912	2		
PA010071	2		
PC040010	2		
PD010037	2		
PD020004	2		
PD020009	2, 2		
PD020010	2		
PD030006	2		
PD030010	2		
PD030044	2		
PD030059	2		
PE010142	2		
PE010143	2		
PE010144	2		
PE010145	2		