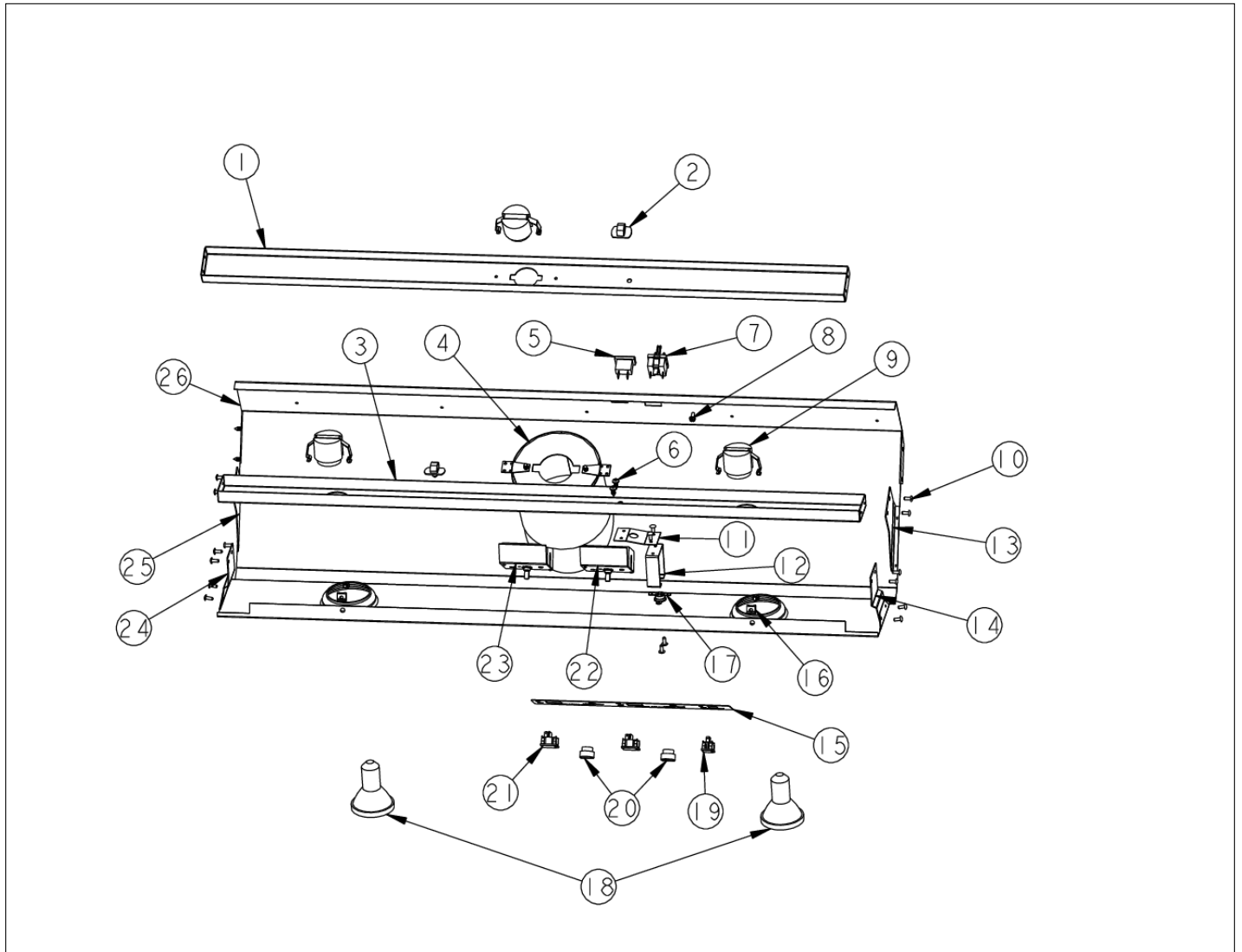


**VWH4248**

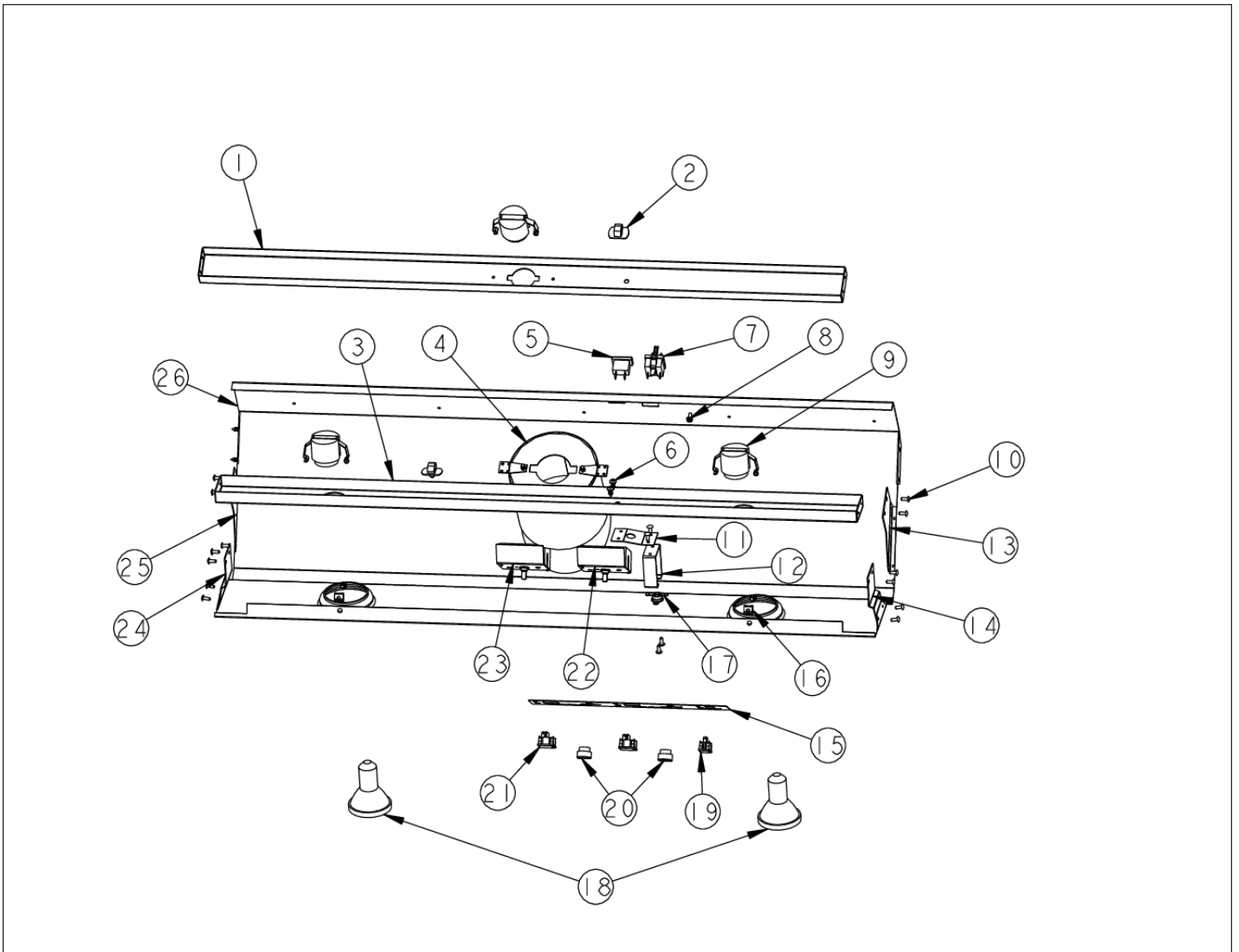
CONTROL AREA .....	1
FILTER AREA .....	2
PE070366 WIRE HARNESS .....	3
UNIT EXTERIOR .....	4
UNIT LABELS .....	5
Appendix A:Pages Index .....	A
Appendix B:Parts Index .....	B



CONTROL AREA



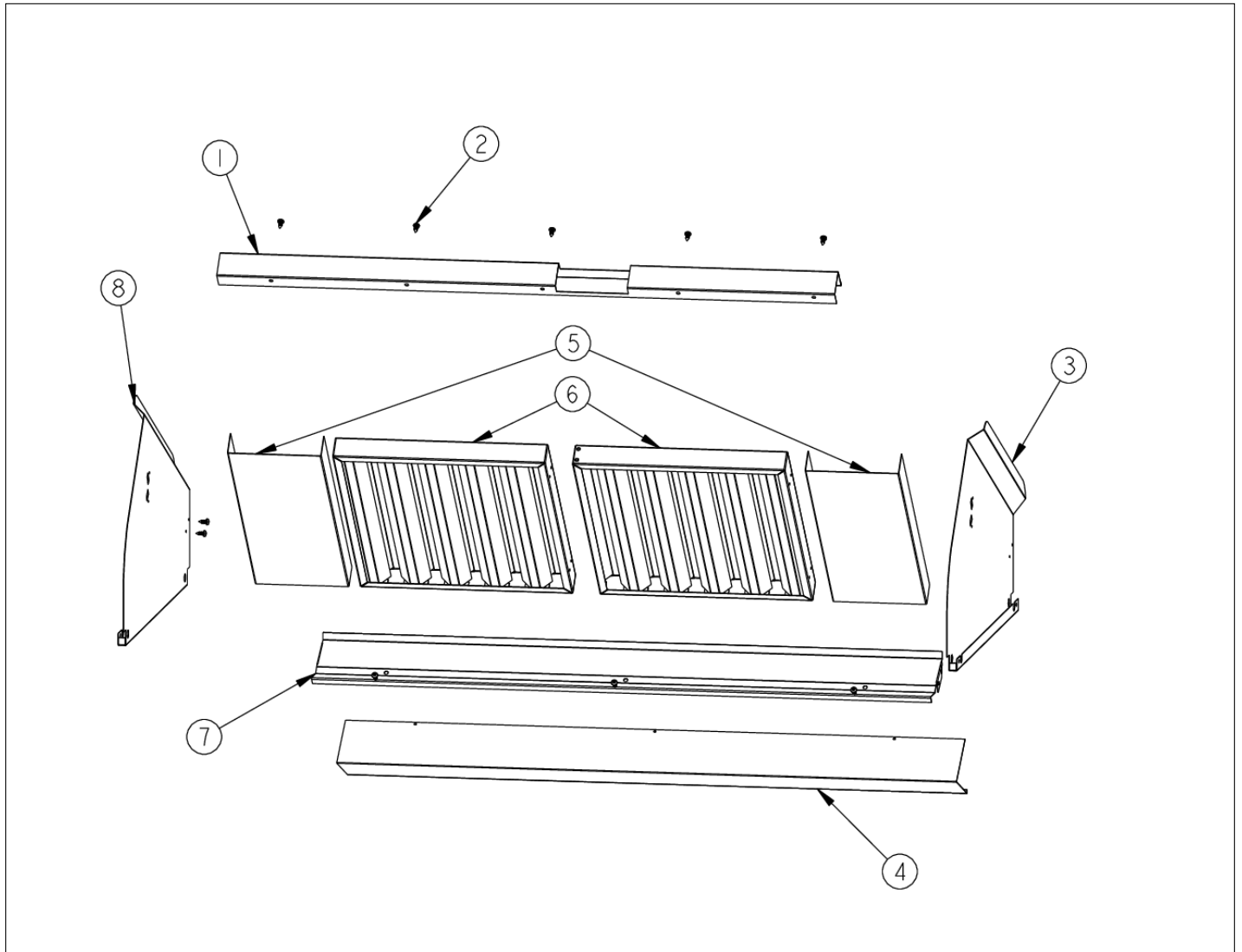
Item	Part No.	Name	Qty	Uom	NOTES
1	A20012430	HEAT LAMP SUPPORT (VWH42)	1	EA	
2	PE070214	DART CLIP	1	EA	
3	A20011081	BOTTOM LIGHT SUPT (VWH/VBCV/VCWH42)	1	EA	NO LONGER AVAILABLE, Not available online / Call for pricing and availability
4	G31012427	HEAT LAMP COWLING ASSY	1	EA	
5	PE070196	FEMALE SOCKET (2 PRONG)	1	EA	
6	PD020087	10 X 1/2 PAN PH. TEK ZINC	1	EA	
7	PE070197	MALE SOCKET (3 PRONG)	1	EA	
8	PD020010	10 X 3/8 GREEN GROUNDING SCREW	1	EA	
9	013549-000	LIGHT SOCKET (125C LEADS)	1	EA	
10	PC040010	POP RIVET (.063/GR -.125) GAMD42-A	1	EA	
11	B2003837	HEAT SENSOR BRKT	1	EA	
12	A2103810	THERMODISC BRACKET VWH/VIH	1	EA	
13	A20016144	HEAT LAMP LIGHT BRACKET - RH	1	EA	NO LONGER AVAILABLE
14	A20016148	LIGHT SUPT BRKT BTM (VWH)	1	EA	
15	PE040133	CONTROL PANEL PLATE	1	EA	
16	PD030059	TINNERMAN CLIP U-TYPE FASTNER	1	EA	
17	PJ030014	HEAT SENSOR (N.O.) 160 DEG.	1	EA	
18	PE050034	HALOGEN BULB 50W	1	EA	
19	PE050050	HEAT LAMP SWITCH (A111B1100000)	1	EA	
20	PA010071	LIGHT/MOTOR CONTROLLER KNOB	1	EA	
21	PE050048	FAN/LIGHT SWITCH (HOODS) EP0M11J	1	EA	
22	PE050156	PRO BLOWER CONTROL	1	EA	
23	PE050141	PRO LIGHT CONTROL	1	EA	
24	A20016147	LIGHT SUPPORT BRACKET - LH	1	EA	
25	A20016143	HEAT LAMP LIGHT BRACKET - LH	1	EA	





Item	Part No.	Name	Qty	Uom	NOTES
26	B20010207	CONTROL PANEL FORMED (VWH4248)	1	EA	NO LONGER AVAILABLE, Not available online / Call for pricing and availability

FILTER AREA

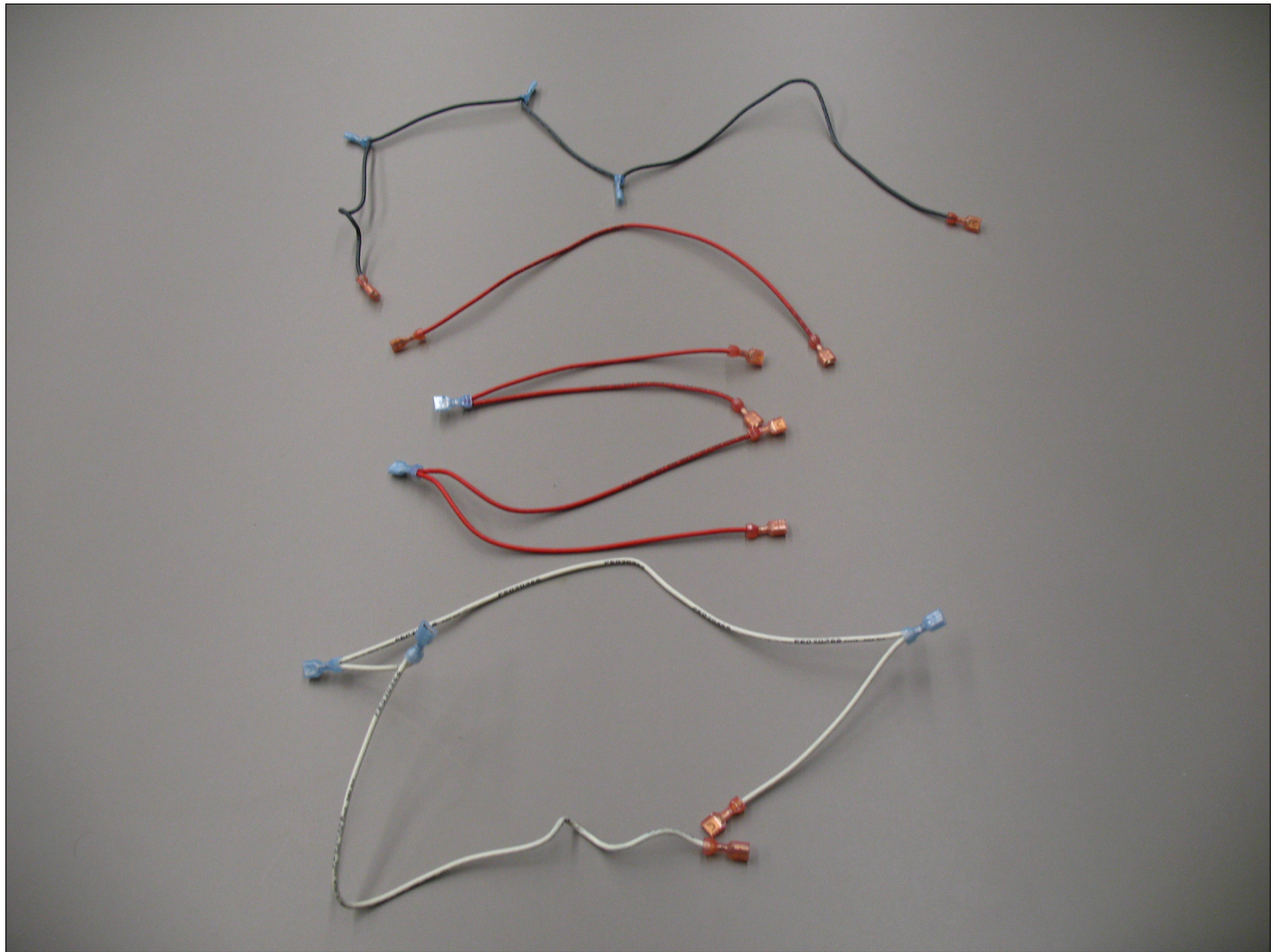






Item	Part No.	Name	Qty	Uom	NOTES
1	B20012463	FILTER SUPPORT BRACKET		EA	NO LONGER AVAILABLE, Not available online / Call for pricing and availability
2	PD020087	10 X 1/2 PAN PH. TEK ZINC		EA	
3	B20012488	I/S SIDE - RH		EA	
4	B20011029	FILTER SUPPORT BTM (VCWH42)		EA	
5	B2003864	FILTER SPACER		EA	
6	G3104046	BAFFLE FILTER ASSY (18" HOODS) 13.375 X 14		EA	
Not Shown	NOTE	(BEFORE 11/1/12)		EA	
6	037516-000	BAFFLE, FILTER, ASM, W/HDL		EA	
Not Shown	NOTE	(ON OR AFTER 11/1/12)		EA	
7	B20011030	FILTER SUPPORT TOP (VCWH42)		EA	
8	B20012489	I/S SIDE - LH		EA	
#	B2003887	GREASE TROUGH (VWH4248)/78		EA	

PE070366 WIRE HARNESS

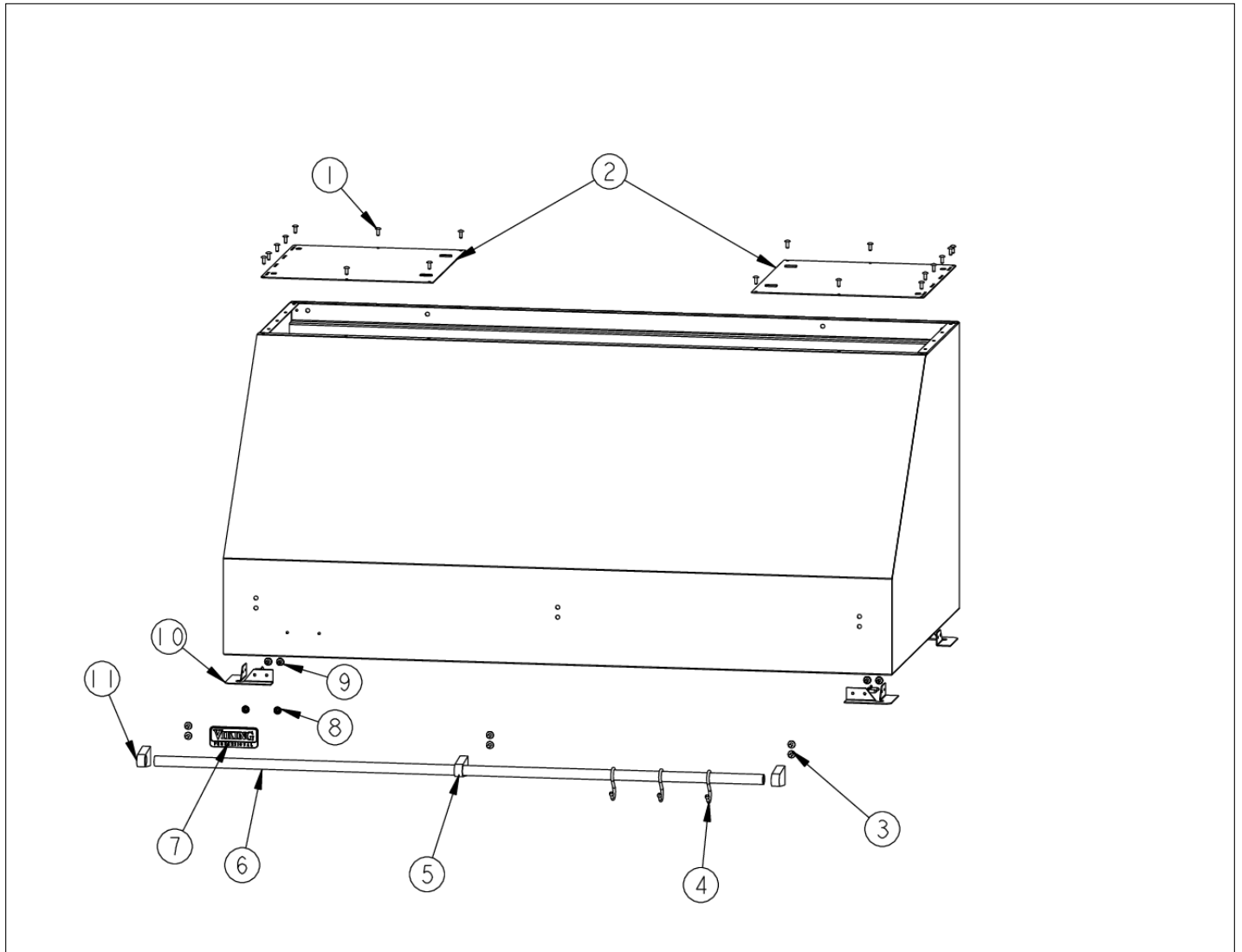




VWH4248

Item	Part No.	Name	Qty	Uom	NOTES
1	PE070366	WIRE HARNESS	1	EA	

UNIT EXTERIOR





Item	Part No.	Name	Qty	Uom	NOTES
1	PC040010	POP RIVET (.063/GR -.125) GAMD42-A	1	EA	
2	G30013927	HOOD TOP ASSY (VWH4248/78)	1	EA	NO LONGER AVAILABLE, Not available online / Call for pricing and availability
3	PD010003	10-24 X 1/2 PH.TR.HD.SERD.M.S.	1	EA	
4	PE030076	CHROME "S" HOOKS REPL PV100012SS	1	EA	
Not Shown	PE030077	BR 'S' HOOKS REPL PV100012BR	1	EA	
5	PE030052	SUPPORT TUBE, HOLE THROUGH	1	EA	
6	PE030121	ACCESSORY RAIL - SS	1	EA	
Not Shown	F0003870	42" - *BR* CUT TO SIZE FRONT/REAR R	1	EA	NO LONGER AVAILABLE
7	PE010142	3" VIKING LOGO BLACK/CHROME	1	EA	
Not Shown	PE010143	3" LOGO BK/BR	1	EA	
Not Shown	PE010144	3" LOGO *WH*CHROME	1	EA	NO LONGER AVAILABLE
Not Shown	PE010145	LOGO - WH / BR	1	EA	
8	PD030006	CAPPED WASHER PAL NUT	1	EA	
9	PD020002	10 X 1/2 PH.TR.HD.SMS.	1	EA	
10	A2103817	CORNER BRACKET	1	EA	
11	PE030054	END CAP - SS	1	EA	
Not Shown	PE030055	END CAP - BR	1	EA	

UNIT LABELS

1

**WARNING - TO REDUCE THE RISK OF A RANGE TOP GREASE FIRE:**

**A-KEEP FAN AND GREASE LADEN SURFACES CLEAN**



**B-FREQUENT REMOVAL AND CLEANING OF FILTERS IS RECOMMENDED.**

**C-EXERCISE CARE WHEN USING CLEANING AGENTS AND DETERGENTS**

PF030337

2

MODEL •	PE020058	
SERIAL •	ELECTRIC FAN	
BLOWER	HT. LAMP	MAX AMPS • 120V/60HZ



**VIKING RANGE CORP.**  
 GREENWOOD, MISSISSIPPI 38930 USA

30" MIN. CLEARANCE ABOVE COOKING SURFACE  
 SUITABLE FOR IN HOUSEHOLD COOKING AREA.  
 FOR MODELS WITH HEAT LAMPS, MAXIMUM HEAT LAMP  
 WATTAGE - 250 WATTS PER LAMP. ALL OTHER LIGHT  
 TO BE MAXIMUM 50 WATTS PER LAMP.



Item	Part No.	Name	Qty	Uom	NOTES
1	PF030337	HOOD WARNING LABEL	1	EA	
2	PE020058	RATING LABEL (ADHESIVE)	1	EA	



Appendix A:Pages Index

CONTROL AREA .....	1
FILTER AREA .....	2
PE070366 WIRE HARNESS .....	3
UNIT EXTERIOR .....	4
UNIT LABELS .....	5





Appendix B:Parts Index

013549-000	1	PE030077	4
037516-000	2	PE030121	4
A20011081	1	PE040133	1
A20012430	1	PE050034	1
A20016143	1	PE050048	1
A20016144	1	PE050050	1
A20016147	1	PE050141	1
A20016148	1	PE050156	1
A2103810	1	PE070196	1
A2103817	4	PE070197	1
B20010207	1	PE070214	1
B20011029	2	PE070366	3
B20011030	2	PF030337	5
B20012463	2	PJ030014	1
B20012488	2		
B20012489	2		
B2003837	1		
B2003864	2		
B2003887	2		
F0003870	4		
G30013927	4		
G31012427	1		
G3104046	2		
PA010071	1		
PC040010	1, 4		
PD010003	4		
PD020002	4		
PD020010	1		
PD020087	1, 2		
PD030006	4		
PD030059	1		
PE010142	4		
PE010143	4		
PE010144	4		
PE010145	4		
PE020058	5		
PE030052	4		
PE030054	4		
PE030055	4		
PE030076	4		