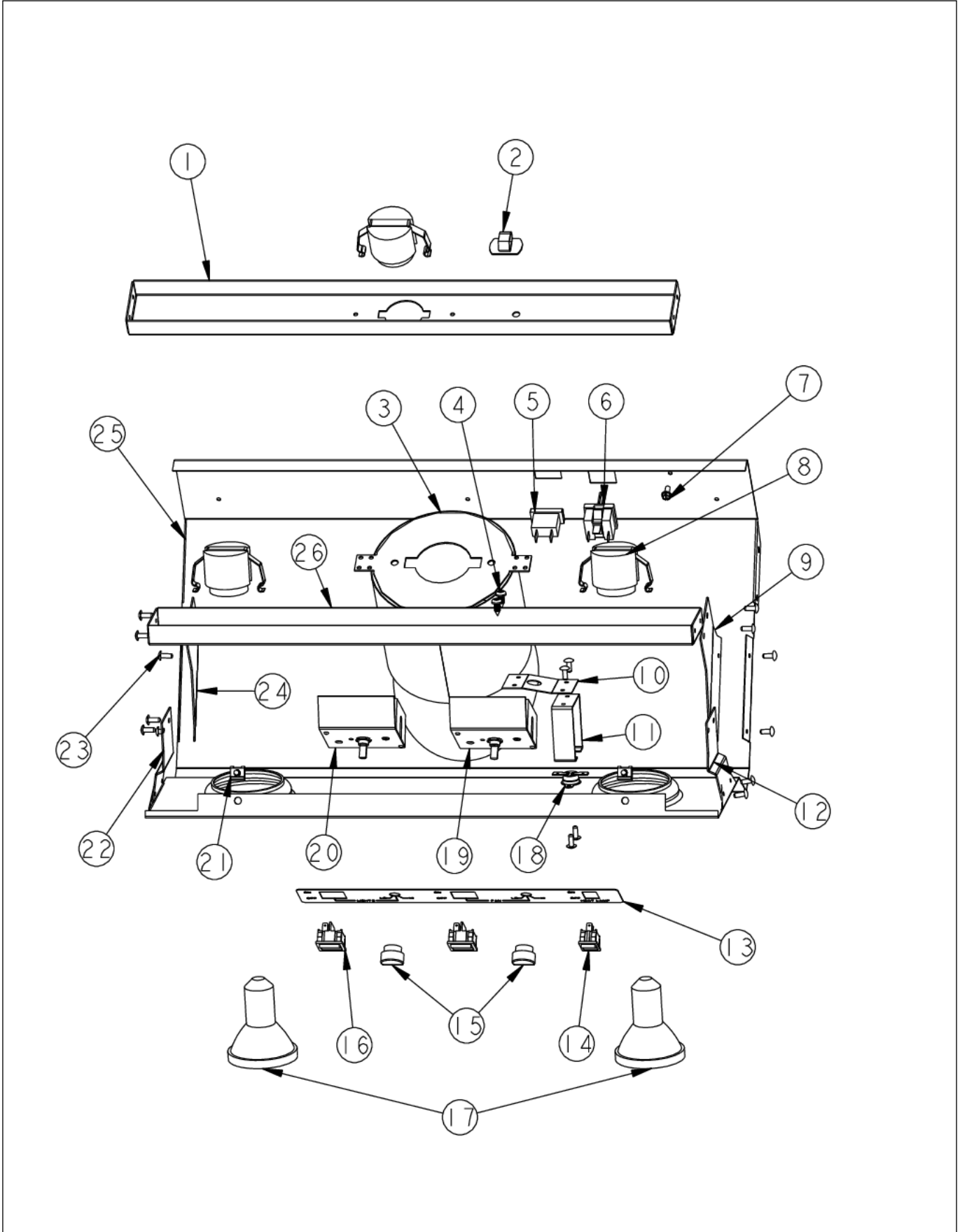


**VWH3678**

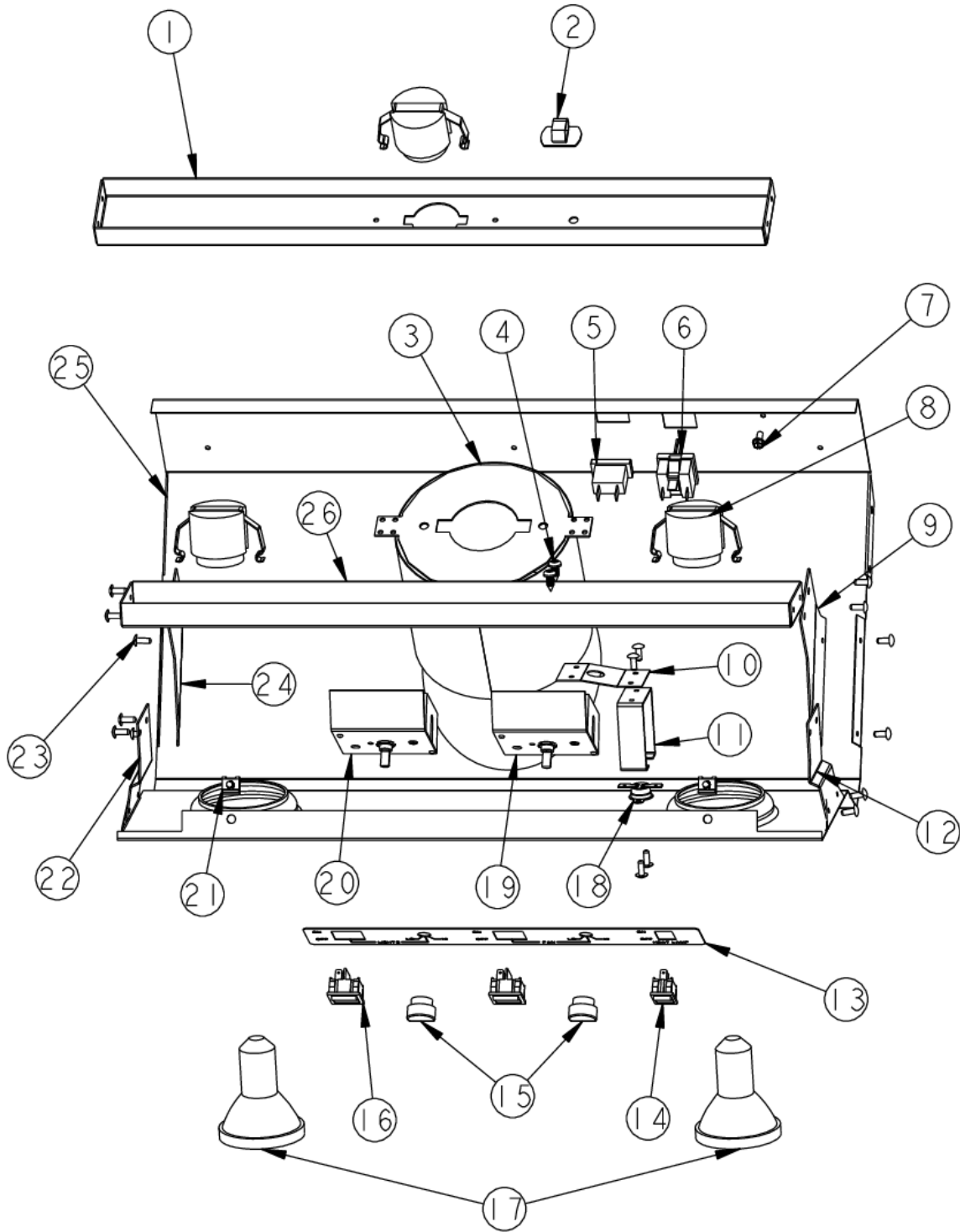
CONTROL AREA .....	1
FILTER AREA .....	2
PE070366 WIRE HARNESS .....	3
UNIT EXTERIOR .....	4
UNIT LABELS .....	5
Appendix A:Pages Index .....	A
Appendix B:Parts Index .....	B



CONTROL AREA



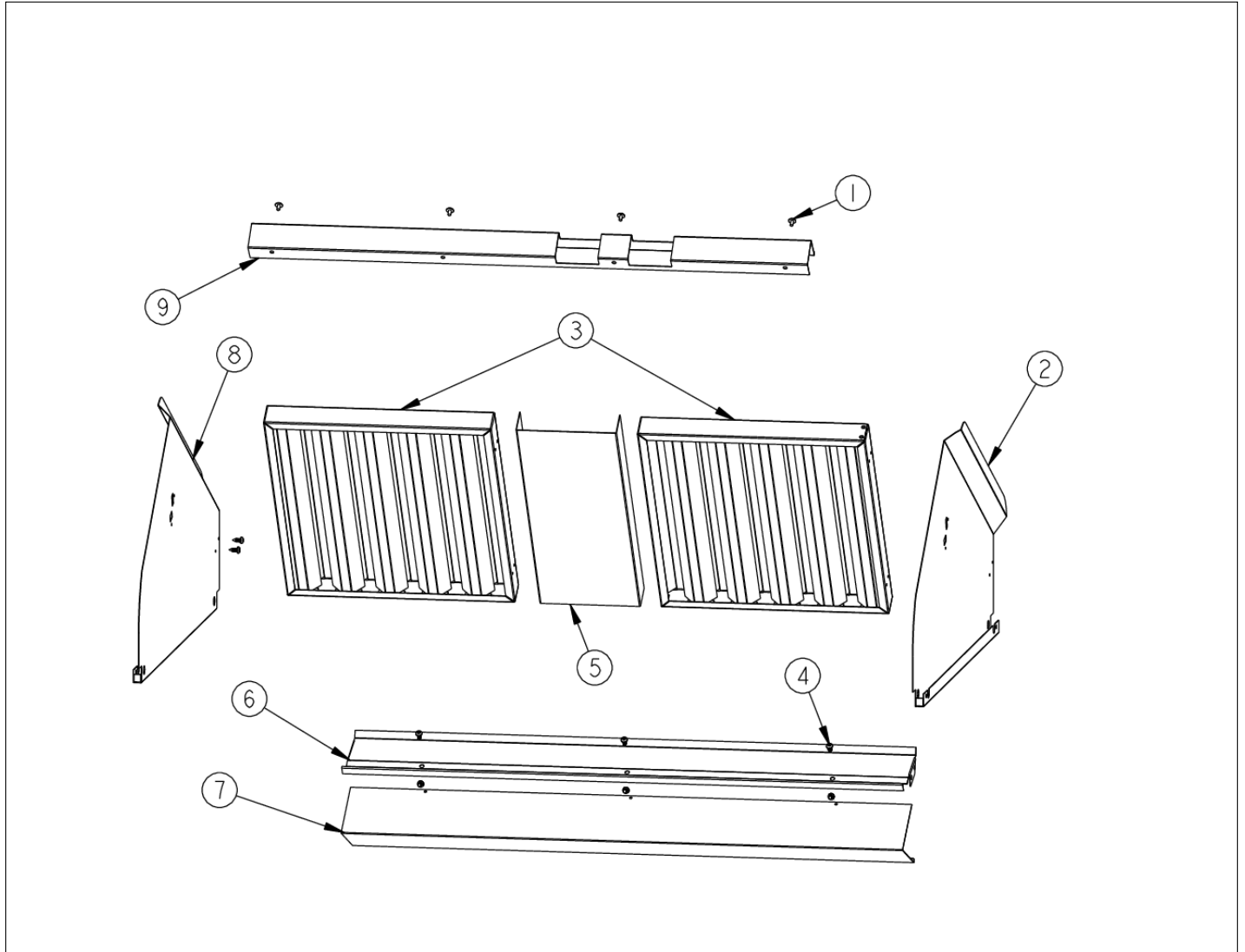
Item	Part No.	Name	Qty	Uom	NOTES
1	A20012468	HEAT LAMP SUPPORT (VWH24)	1	EA	NO LONGER AVAILABLE, Not available online / Call for pricing and availability
2	PE070214	DART CLIP	1	EA	
3	G31012427	HEAT LAMP COWLING ASSY	1	EA	
4	PD020087	10 X 1/2 PAN PH. TEK ZINC	1	EA	
5	PE070196	FEMALE SOCKET (2 PRONG)	1	EA	
6	PE070197	MALE SOCKET (3 PRONG)	1	EA	
7	PD020010	10 X 3/8 GREEN GROUNDING SCREW	1	EA	
8	013549-000	LIGHT SOCKET (125C LEADS)	1	EA	
9	A20016144	HEAT LAMP LIGHT BRACKET - RH	1	EA	NO LONGER AVAILABLE
10	B2003837	HEAT SENSOR BRKT	1	EA	
11	A2103810	THERMODISC BRACKET VWH/VIH	1	EA	
12	A20016148	LIGHT SUPT BRKT BTM (VWH)	1	EA	
13	PE040133	CONTROL PANEL PLATE	1	EA	
14	PE050050	HEAT LAMP SWITCH (A111B1100000)	1	EA	
15	PA010071	LIGHT/MOTOR CONTROLLER KNOB	1	EA	
16	PE050048	FAN/LIGHT SWITCH (HOODS) EP0M11J	1	EA	
17	PE050034	HALOGEN BULB 50W	1	EA	
18	PJ030014	HEAT SENSOR (N.O.) 160 DEG.	1	EA	
19	PE050156	PRO BLOWER CONTROL	1	EA	
20	PE050141	PRO LIGHT CONTROL	1	EA	
21	PD030059	TINNERMAN CLIP U-TYPE FASTNER	1	EA	
22	A20016147	LIGHT SUPPORT BRACKET - LH	1	EA	
23	PC040010	POP RIVET (.063/GR -.125) GAMD42-A	1	EA	
24	A20016143	HEAT LAMP LIGHT BRACKET - LH	1	EA	
25	B20010213	CONTROL PANEL FORMED (VWH3678)	1	EA	





Item	Part No.	Name	Qty	Uom	NOTES
26	A20011080	BOTTOM LIGHT SUPT (VWH/VBCV/VCWH36)	1	EA	NO LONGER AVAILABLE, Not available online / Call for pricing and availability

FILTER AREA

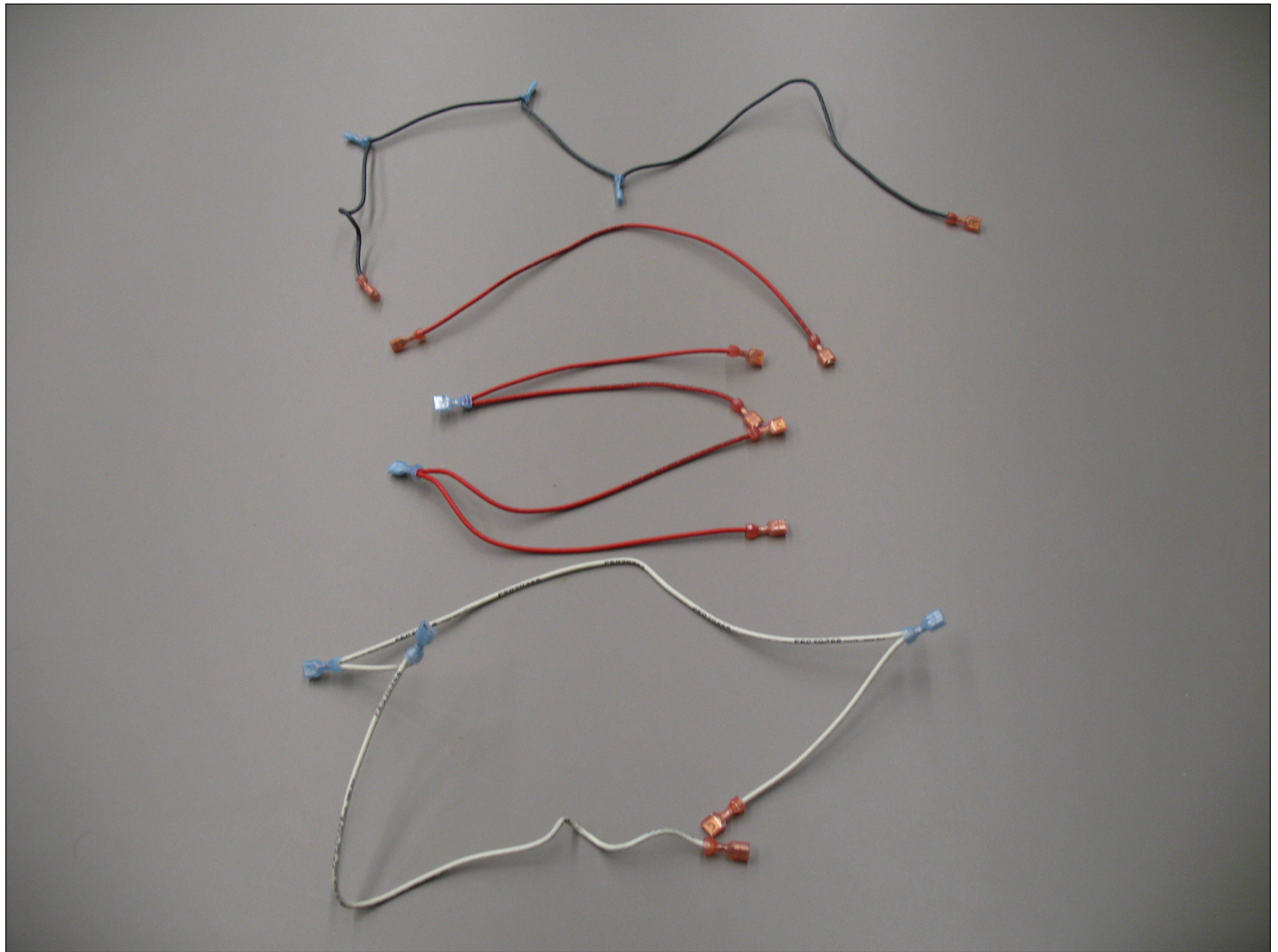






Item	Part No.	Name	Qty	Uom	NOTES
1	PD020032	SRW-8(A)X3/8"PH.WFR HD 7/16DIA*NICL		EA	
2	B20012492	I/S SIDE - RH		EA	
3	G3104046	BAFFLE FILTER ASSY (18" HOODS) 13.375 X 14		EA	
Not Shown	NOTE	(BEFORE 11/1/12)		EA	
3	037516-000	BAFFLE, FILTER, ASM, W/HDL		EA	
Not Shown	NOTE	(ON OR AFTER 11/1/12)		EA	
4	PD020087	10 X 1/2 PAN PH. TEK ZINC		EA	
5	B2003864	FILTER SPACER		EA	
Not Shown	NOTE	(BEFORE 11/1/12)		EA	
5	039281-000	FILTER SPACER		EA	
Not Shown	NOTE	(ON OR AFTER 11/1/12)		EA	
6	B20012487	FILTER SUPPORT TOP (VWH/VBCV/VCWH36)		EA	
7	B20011042	REAR FILTER SUPT BOTTOM (VBCV36)		EA	
8	B20012493	I/S SIDE -LH		EA	NO LONGER AVAILABLE
9	B20012462	FILTER SUPPORT BRKT (VWH36)		EA	
#	B2003868	GREASE TROUGH (VWH3648/78/VIH36)		EA	

PE070366 WIRE HARNESS

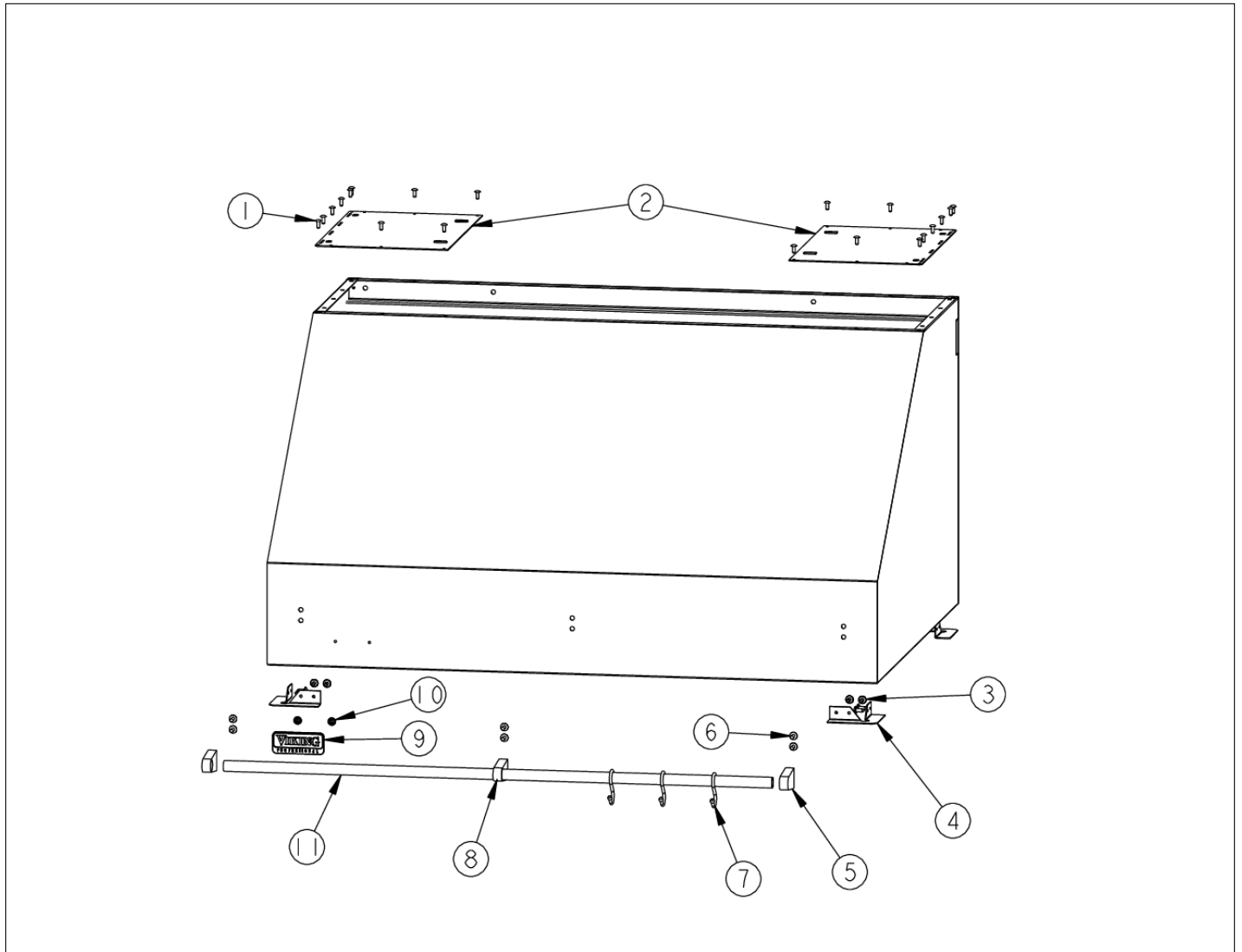




VWH3678

Item	Part No.	Name	Qty	Uom	NOTES
1	PE070366	WIRE HARNESS	1	EA	

UNIT EXTERIOR





Item	Part No.	Name	Qty	Uom	NOTES
1	PC040010	POP RIVET (.063/GR -.125) GAMD42-A		EA	
2	G30013926	HOOD TOP ASSY (VWH3648/78)		EA	NO LONGER AVAILABLE, Not available online / Call for pricing and availability
3	PD020002	10 X 1/2 PH.TR.HD.SMS.		EA	
4	A2103817	CORNER BRACKET		EA	
5	PE030054	END CAP - SS		EA	
Not Shown	PE030055	END CAP - BR		EA	
6	PD010003	10-24 X 1/2 PH.TR.HD.SERD.M.S.		EA	
7	PE030076	CHROME "S" HOOKS REPL PV100012SS		EA	
Not Shown	PE030077	BR 'S' HOOKS REPL PV100012BR		EA	
8	PE030052	SUPPORT TUBE, HOLE THROUGH		EA	
Not Shown	PE030053	MIDDLE RAIL SUPPORT - BR		EA	
9	PE010142	3" VIKING LOGO BLACK/CHROME		EA	
Not Shown	PE010143	3" LOGO BK/BR		EA	
Not Shown	PE010144	3" LOGO *WH*CHROME		EA	NO LONGER AVAILABLE
Not Shown	PE010145	LOGO - WH / BR		EA	
10	PD030006	CAPPED WASHER PAL NUT		EA	
11	PE030058	36" ACCESSORY RAIL SS		EA	
Not Shown	PE030059	36" BRASS ACCESSORY RAIL		EA	
NI	PV300005	TRANSITION VWH 423		EA	

UNIT LABELS

1

**WARNING - TO REDUCE THE RISK OF A RANGE TOP GREASE FIRE:**

**A-KEEP FAN AND GREASE LADEN SURFACES CLEAN**



**B-FREQUENT REMOVAL AND CLEANING OF FILTERS IS RECOMMENDED.**

**C-EXERCISE CARE WHEN USING CLEANING AGENTS AND DETERGENTS**

PF030337

2

MODEL •	PE020058	
SERIAL •	ELECTRIC FAN	
BLOWER	HT. LAMP	MAX AMPS • 120V/60HZ



**VIKING RANGE CORP.**  
 GREENWOOD, MISSISSIPPI 38930 USA

30" MIN. CLEARANCE ABOVE COOKING SURFACE  
 SUITABLE FOR IN HOUSEHOLD COOKING AREA.  
 FOR MODELS WITH HEAT LAMPS, MAXIMUM HEAT LAMP  
 WATTAGE - 250 WATTS PER LAMP. ALL OTHER LIGHT  
 TO BE MAXIMUM 50 WATTS PER LAMP.



Item	Part No.	Name	Qty	Uom	NOTES
1	PF030337	HOOD WARNING LABEL	1	EA	
2	PE020058	RATING LABEL (ADHESIVE)	1	EA	



Appendix A:Pages Index

CONTROL AREA .....	1
FILTER AREA .....	2
PE070366 WIRE HARNESS .....	3
UNIT EXTERIOR .....	4
UNIT LABELS .....	5





Appendix B:Parts Index

013549-000	1	PE030055	4
037516-000	2	PE030058	4
039281-000	2	PE030059	4
A20011080	1	PE030076	4
A20012468	1	PE030077	4
A20016143	1	PE040133	1
A20016144	1	PE050034	1
A20016147	1	PE050048	1
A20016148	1	PE050050	1
A2103810	1	PE050141	1
A2103817	4	PE050156	1
B20010213	1	PE070196	1
B20011042	2	PE070197	1
B20012462	2	PE070214	1
B20012487	2	PE070366	3
B20012492	2	PF030337	5
B20012493	2	PJ030014	1
B2003837	1	PV300005	4
B2003864	2		
B2003868	2		
G30013926	4		
G31012427	1		
G3104046	2		
PA010071	1		
PC040010	1, 4		
PD010003	4		
PD020002	4		
PD020010	1		
PD020032	2		
PD020087	1, 2		
PD030006	4		
PD030059	1		
PE010142	4		
PE010143	4		
PE010144	4		
PE010145	4		
PE020058	5		
PE030052	4		
PE030053	4		
PE030054	4		