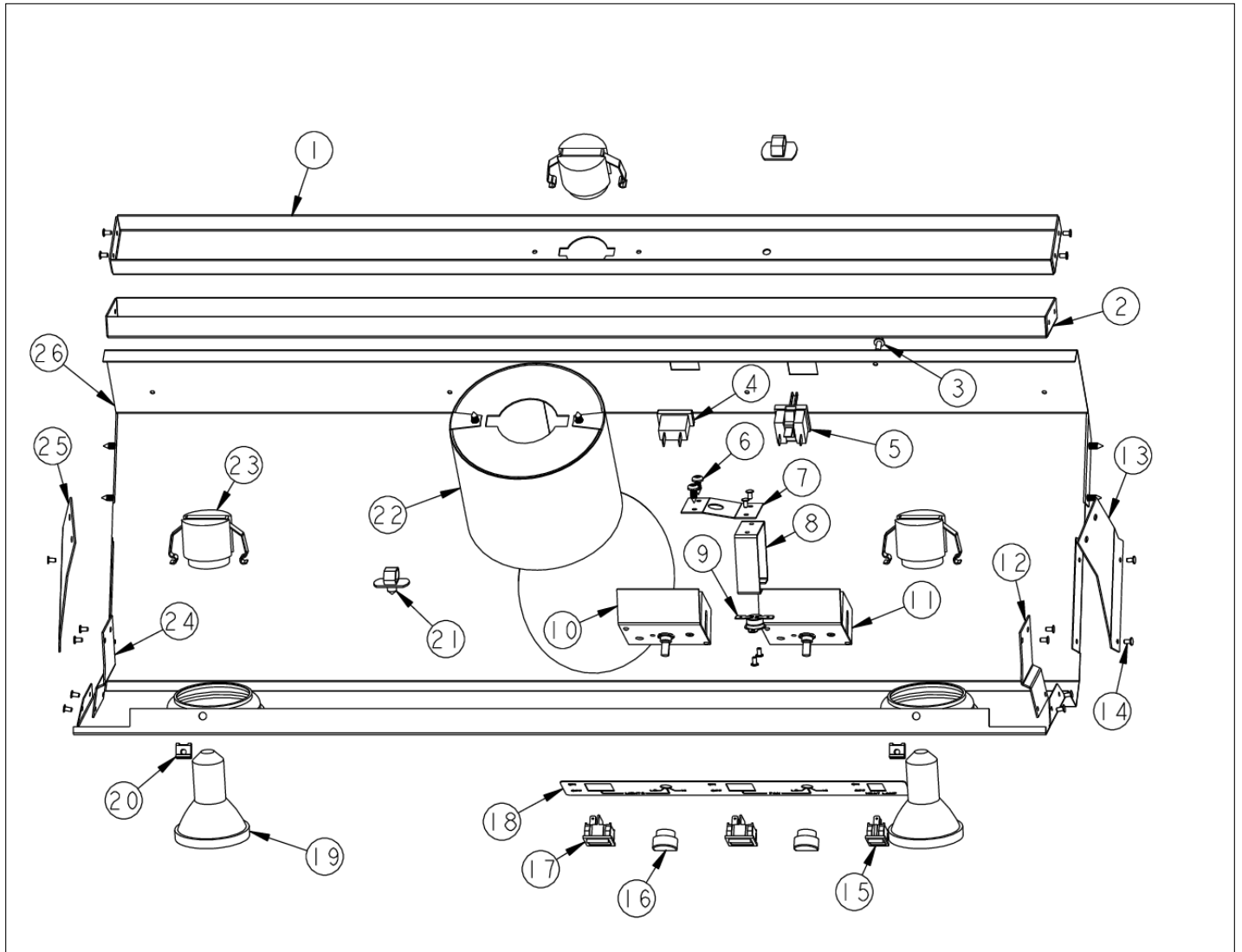


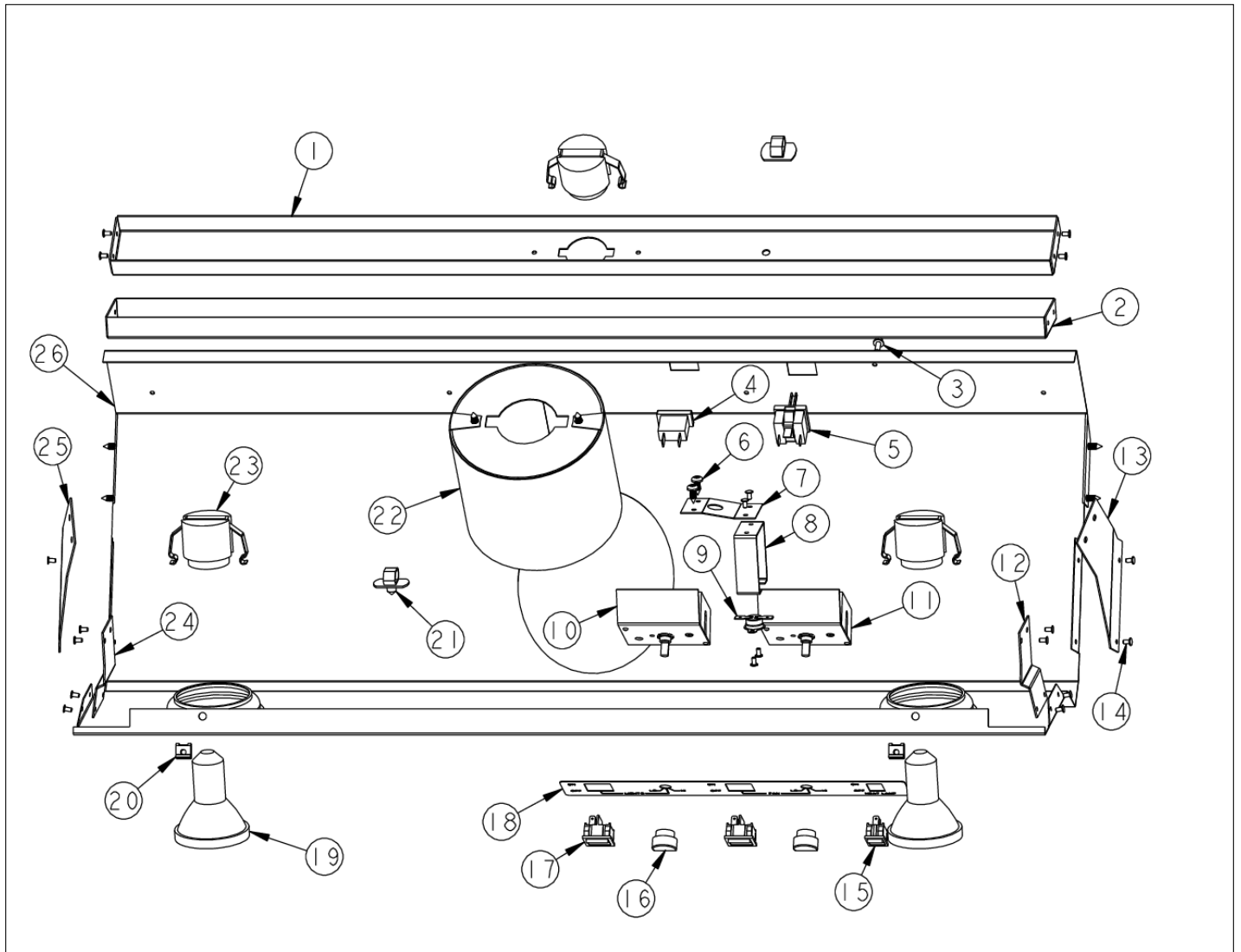
VWH3648

CONTROL AREA	1
FILTER AREA	2
HOOD EXTERNAL	3
PE070366 WIRING HARNESS	4
WIRING DIAGRAM	5
Appendix A:Pages Index	A
Appendix B:Parts Index	B

CONTROL AREA



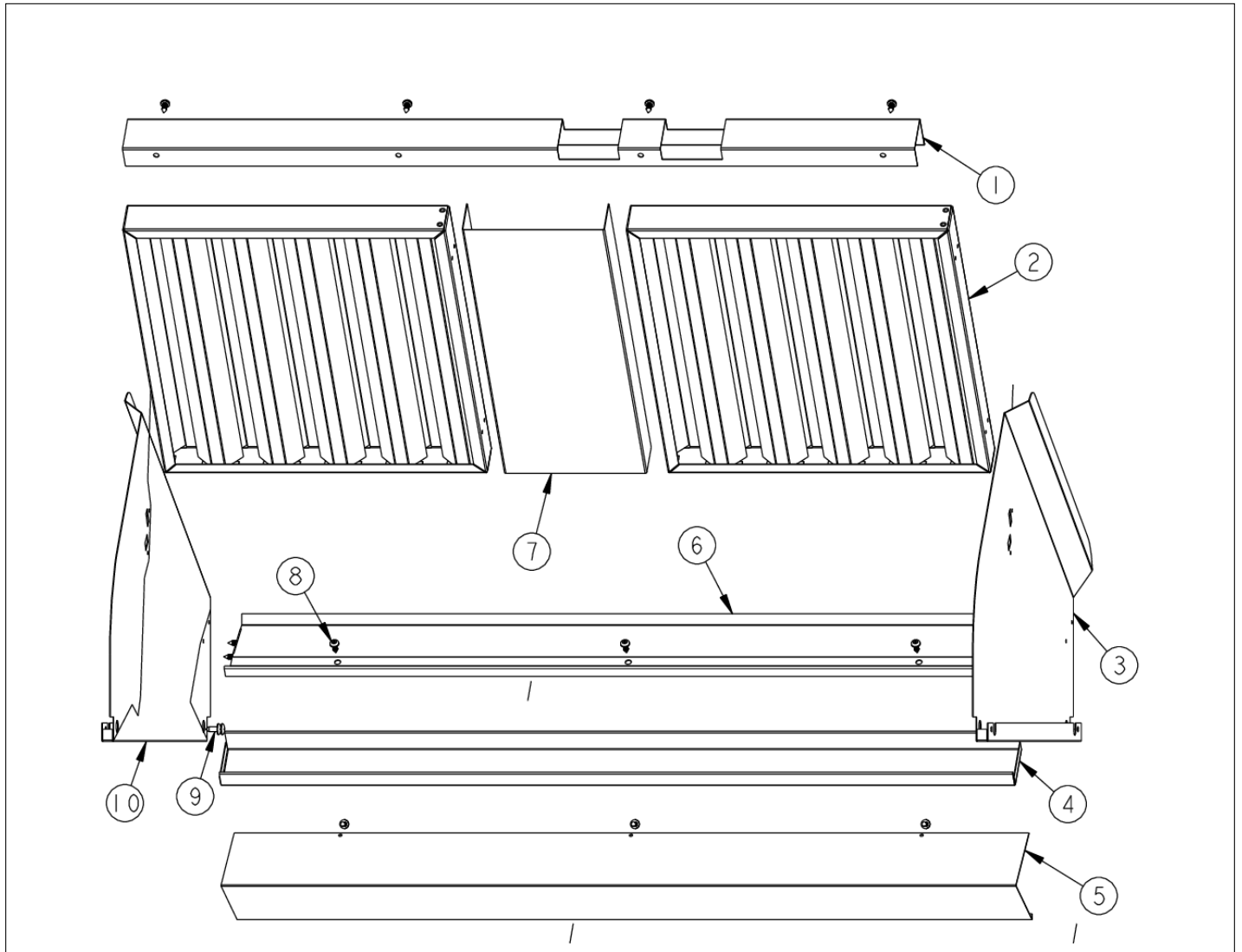
Item	Part No.	Name	Qty	Uom	NOTES
1	A20012429	HEAT LAMP SUPPORT (VWH36)	1	EA	NO LONGER AVAILABLE, Not available online / Call for pricing and availability
2	A20011080	BOTTOM LIGHT SUPT (VWH/VBCV/VCWH36)	1	EA	NO LONGER AVAILABLE, Not available online / Call for pricing and availability
3	PD020010	10 X 3/8 GREEN GROUNDING SCREW	1	EA	
4	PE070196	FEMALE SOCKET (2 PRONG)	1	EA	
5	PE070197	MALE SOCKET (3 PRONG)	1	EA	
6	PD020087	10 X 1/2 PAN PH. TEK ZINC	1	EA	
7	B2003837	HEAT SENSOR BRKT	1	EA	
8	A2103810	THERMODISC BRACKET VWH/VIH	1	EA	
9	PJ030014	HEAT SENSOR (N.O.) 160 DEG.	1	EA	
10	PE050141	PRO LIGHT CONTROL	1	EA	
11	PE050156	PRO BLOWER CONTROL	1	EA	
12	A20016148	LIGHT SUPT BRKT BTM (VWH)	1	EA	
13	A20016143	HEAT LAMP LIGHT BRACKET - LH	1	EA	
Not Shown	NOTE	(After 12/14/04)		EA	
14	PC040010	POP RIVET (.063/GR -.125) GAMD42-A	1	EA	
15	PE050050	HEAT LAMP SWITCH (A111B1100000)	1	EA	
16	PA010071	LIGHT/MOTOR CONTROLLER KNOB	1	EA	
17	PE050048	FAN/LIGHT SWITCH (HOODS) EP0M11J	1	EA	
18	PE040133	CONTROL PANEL PLATE	1	EA	
19	PE050034	HALOGEN BULB 50W	1	EA	
20	PD030059	TINNERMAN CLIP U-TYPE FASTNER	1	EA	
21	PE070214	DART CLIP	1	EA	
22	G31012427	HEAT LAMP COWLING ASSY	1	EA	
23	013549-000	LIGHT SOCKET (125C LEADS)	1	EA	



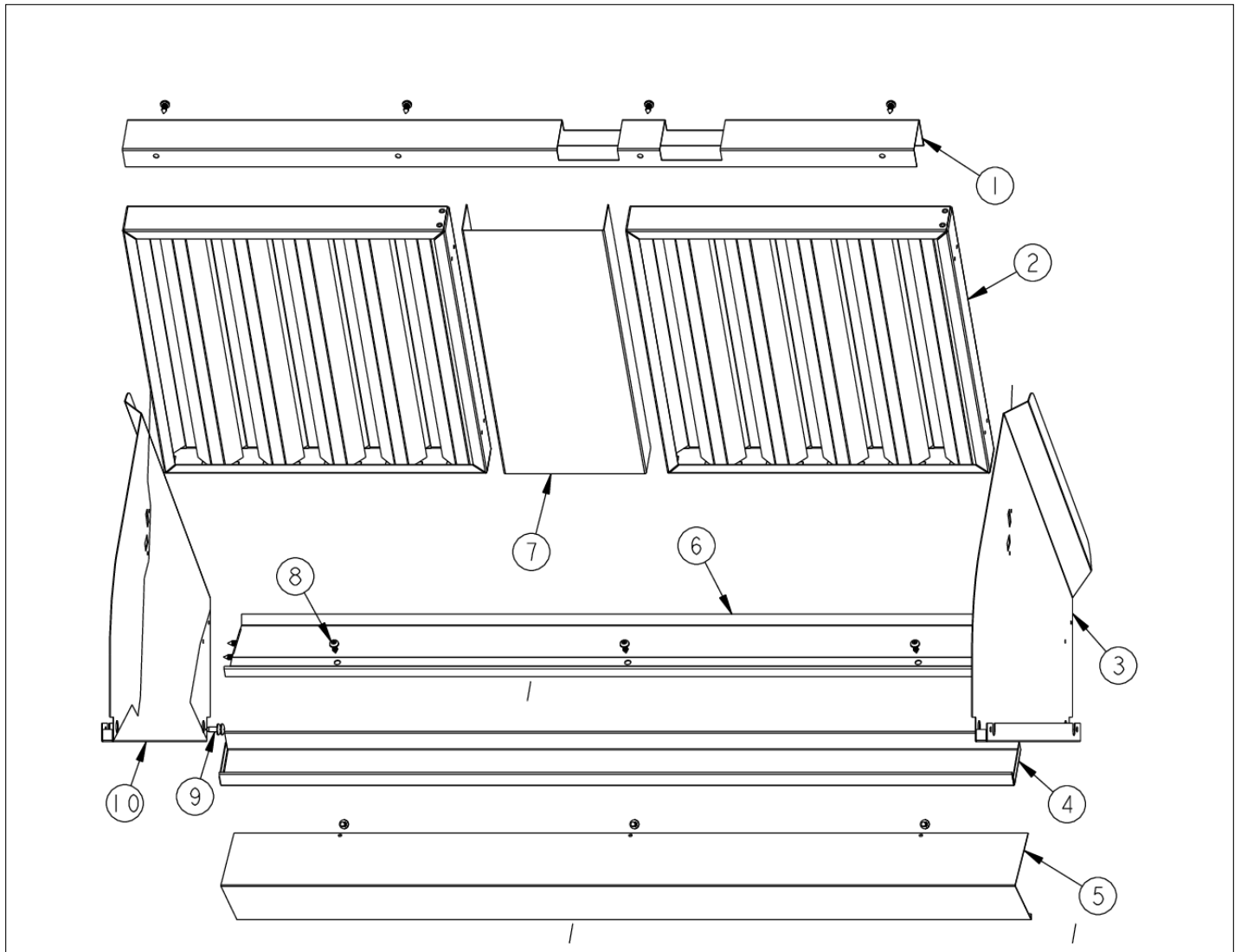


Item	Part No.	Name	Qty	Uom	NOTES
24	A20016147	LIGHT SUPPORT BRACKET - LH	1	EA	
25	A20016144	HEAT LAMP LIGHT BRACKET - RH	1	EA	NO LONGER AVAILABLE
Not Shown	NOTE	(After 12/14/04)		EA	
26	B2003683	CONTROL PANEL	1	EA	Not available online / Call for pricing and availability
Not Shown	NOTE	(Before 10/01/03)		EA	
Not Shown	B20010206	CONTROL PANEL FORMED (VWH3648)	1	EA	
Not Shown	NOTE	(After 10/01/03)		EA	

FILTER AREA



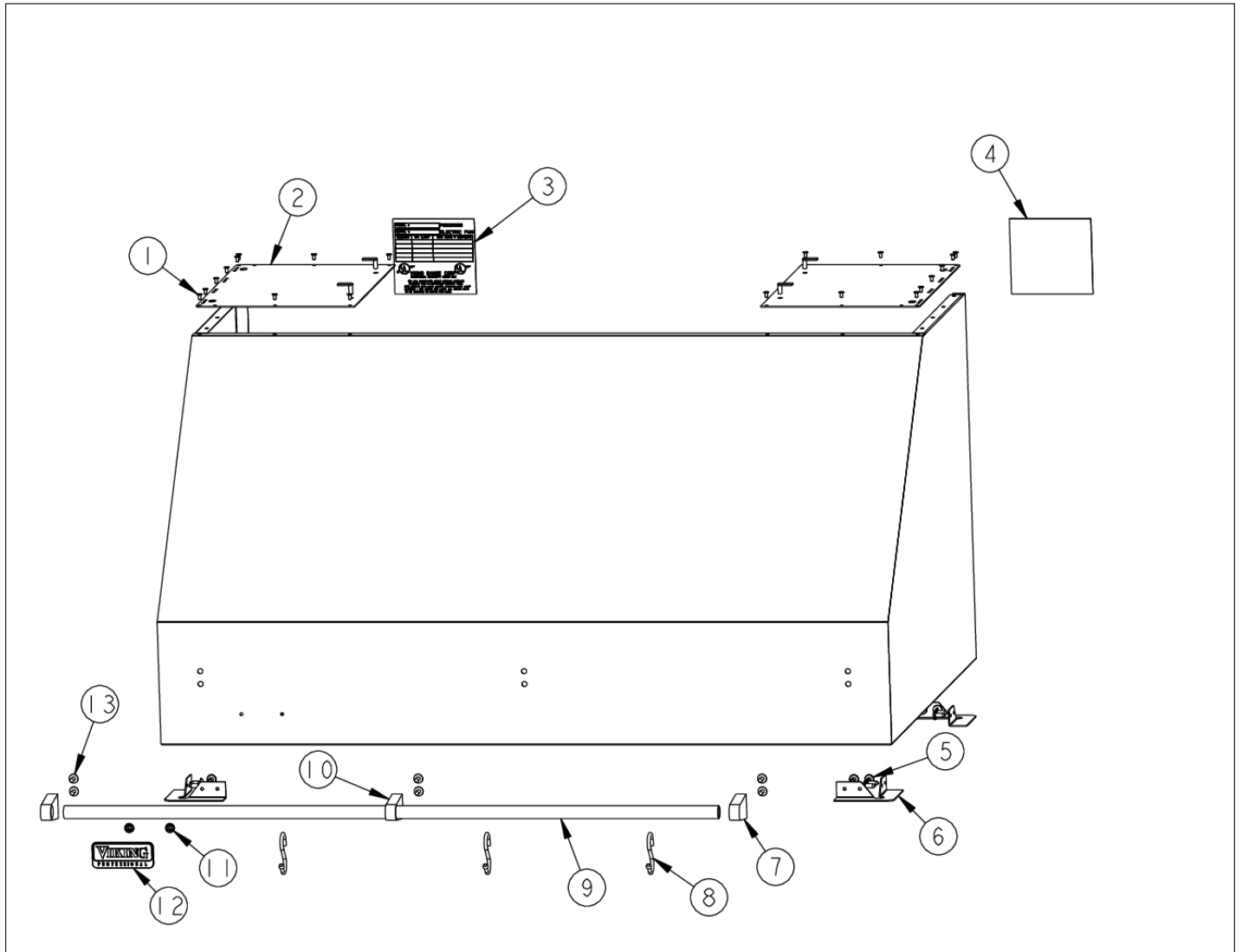
Item	Part No.	Name	Qty	Uom	NOTES
1	B20012462	FILTER SUPPORT BRKT (VWH36)		EA	
Not Shown	NOTE	(After 2/21/05)		EA	
2	G3104046	BAFFLE FILTER ASSY (18" HOODS) 13.375 X 14		EA	
Not Shown	NOTE	(BEFORE 11/1/12)		EA	
2	037516-000	BAFFLE, FILTER, ASM, W/HDL		EA	
Not Shown	NOTE	(ON OR AFTER 11/1/12)		EA	
3	B2003855	HOOD I/S SIDE RH (24" DEEP)		EA	NO LONGER AVAILABLE
Not Shown	NOTE	(Before 2/21/05)		EA	
Not Shown	B20012488	I/S SIDE - RH		EA	
Not Shown	NOTE	(After 2/21/05)		EA	
4	B2003868	GREASE TROUGH (VWH3648/78/VIH36)		EA	
5	B2003999	HOOD FILTER SUPT BTM (VWH3678)		EA	
Not Shown	NOTE	(Before 2/21/05)		EA	
Not Shown	B20011042	REAR FILTER SUPT BOTTOM (VBCV36)		EA	
Not Shown	NOTE	(After 2/21/05)		EA	
6	B2004000	HOOD FILTER SUPT TOP (VWH3678)		EA	
Not Shown	NOTE	(Before 2/21/05)		EA	
Not Shown	B20012487	FILTER SUPPORT TOP (VWH/VBCV/VCWH36)		EA	
Not Shown	NOTE	(After 2/21/05)		EA	
7	B2003864	FILTER SPACER		EA	
Not Shown	NOTE	(BEFORE 11/1/12)		EA	
7	039281-000	FILTER SPACER		EA	
Not Shown	NOTE	(ON OR AFTER 11/1/12)		EA	





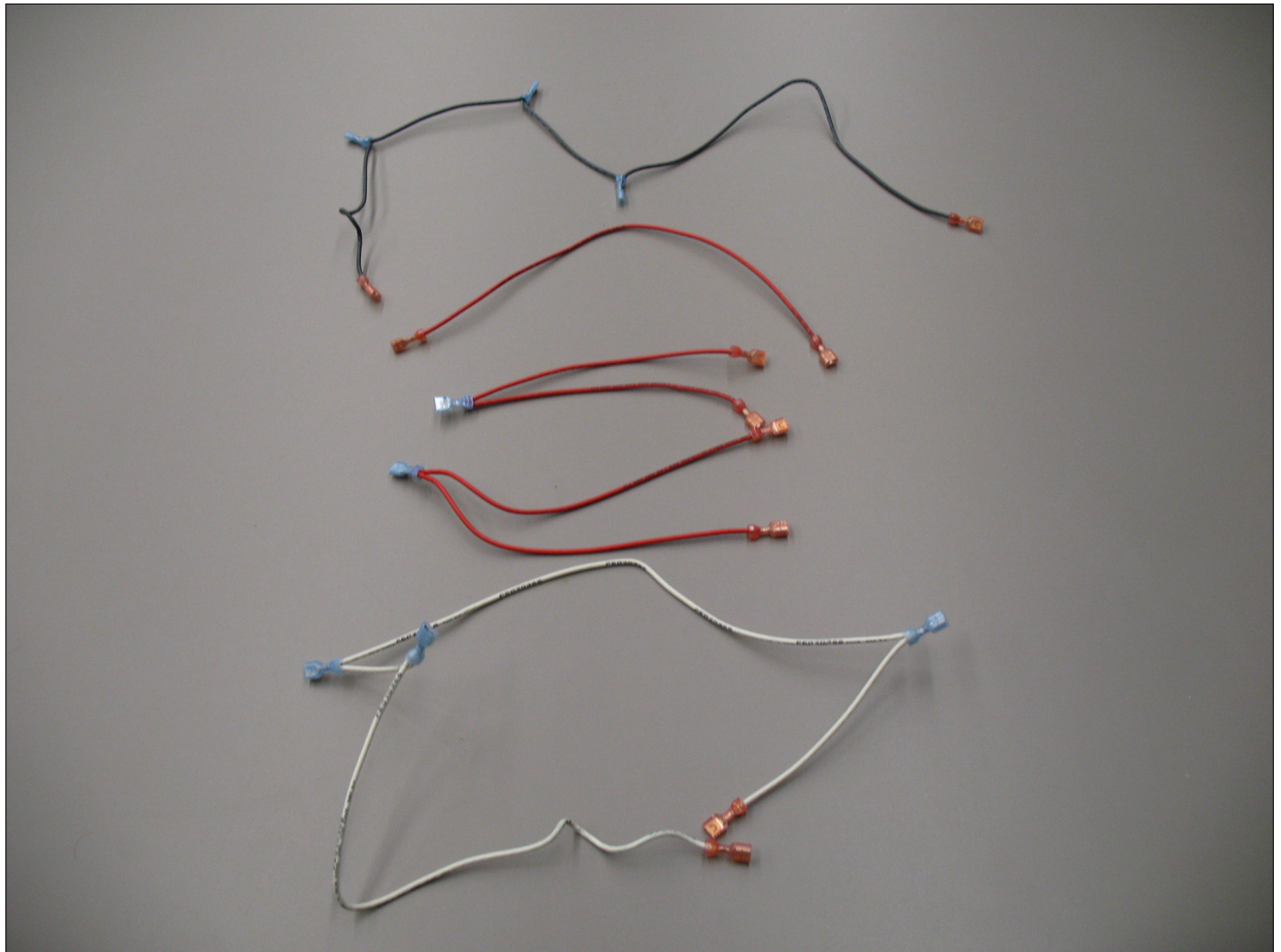
Item	Part No.	Name	Qty	Uom	NOTES
8	PD020087	10 X 1/2 PAN PH. TEK ZINC		EA	
9	PD020002	10 X 1/2 PH.TR.HD.SMS.		EA	
10	B2003856	HOOD I/S SIDE LH (24" DEEP)		EA	NO LONGER AVAILABLE
Not Shown	NOTE	(Before 2/21/05)		EA	
Not Shown	B20012489	I/S SIDE - LH		EA	
Not Shown	NOTE	(After 2/21/05)		EA	

HOOD EXTERNAL



Item	Part No.	Name	Qty	Uom	NOTES
1	PC040010	POP RIVET (.063/GR -.125) GAMD42-A	1	EA	
2	G30013926	HOOD TOP ASSY (VWH3648/78)	1	EA	NO LONGER AVAILABLE, Not available online / Call for pricing and availability
3	PE020058	RATING LABEL (ADHESIVE)	1	EA	
4	PF030337	HOOD WARNING LABEL	1	EA	
5	PD020002	10 X 1/2 PH.TR.HD.SMS.	1	EA	
6	A2103817	CORNER BRACKET	1	EA	
7	PE030054	END CAP - SS	1	EA	
Not Shown	PE030055	END CAP - BR	1	EA	
8	PE030076	CHROME "S" HOOKS REPL PV100012SS	1	EA	
Not Shown	PE030077	BR 'S' HOOKS REPL PV100012BR	1	EA	
9	PE030058	36" ACCESSORY RAIL SS	1	EA	
Not Shown	PE030059	36" BRASS ACCESSORY RAIL	1	EA	
10	PE030052	SUPPORT TUBE, HOLE THROUGH	1	EA	
Not Shown	PE030053	MIDDLE RAIL SUPPORT - BR	1	EA	
11	PD030006	CAPPED WASHER PAL NUT	1	EA	
12	PE010142	3" VIKING LOGO BLACK/CHROME	1	EA	
Not Shown	PE010143	3" LOGO BK/BR	1	EA	
Not Shown	PE010144	3" LOGO *WH*CHROME	1	EA	NO LONGER AVAILABLE
Not Shown	PE010145	LOGO - WH / BR	1	EA	
13	PD010003	10-24 X 1/2 PH.TR.HD.SERD.M.S.	1	EA	

PE070366 WIRING HARNESS

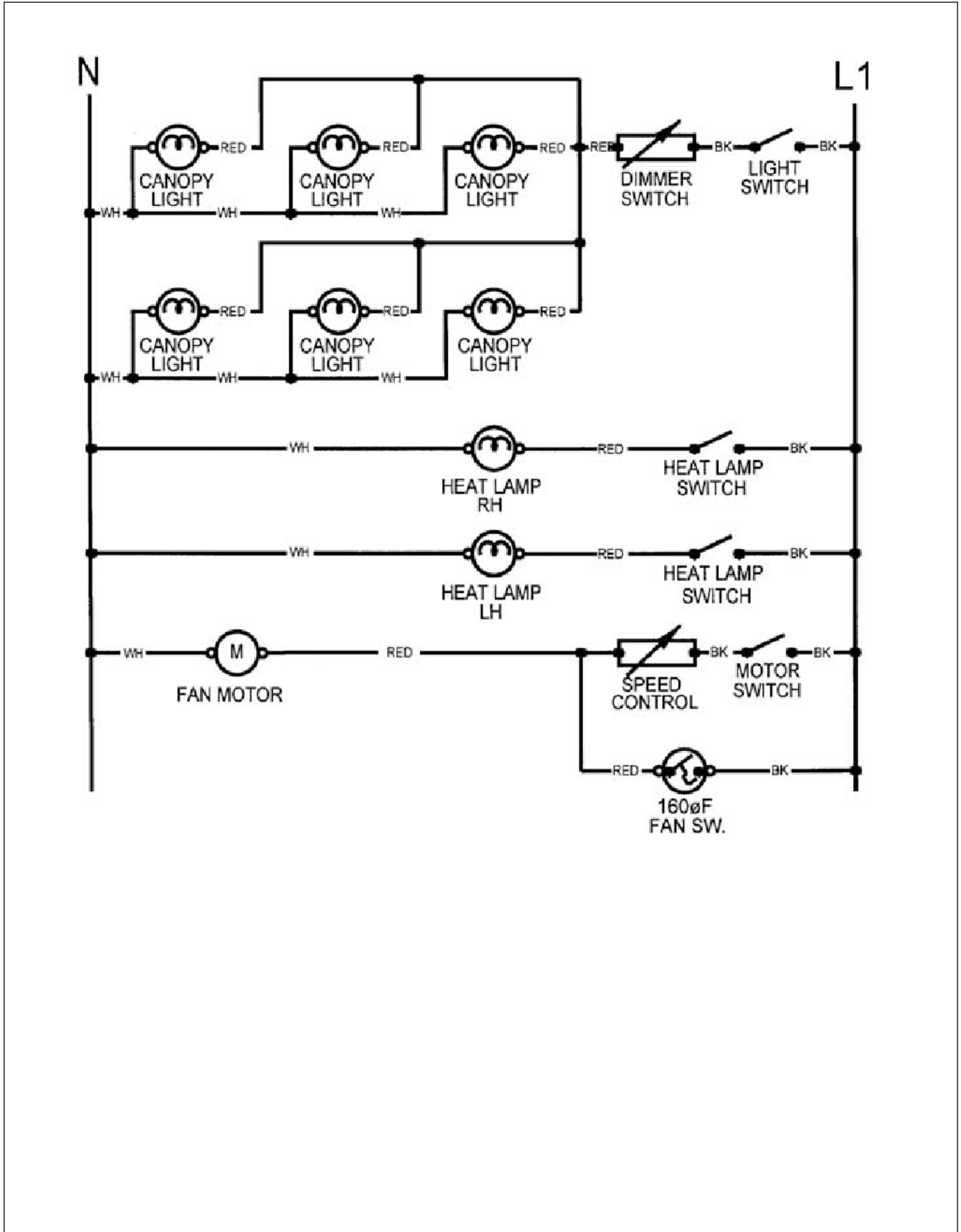




VWH3648

Item	Part No.	Name	Qty	Uom	NOTES
1	PE070366	WIRE HARNESS	1	EA	

WIRING DIAGRAM





Appendix A:Pages Index

CONTROL AREA	1
FILTER AREA	2
HOOD EXTERNAL	3
PE070366 WIRING HARNESS	4
WIRING DIAGRAM	5



Appendix B:Parts Index

013549-000	1	PE020058	3
037516-000	2	PE030052	3
039281-000	2	PE030053	3
A20011080	1	PE030054	3
A20012429	1	PE030055	3
A20016143	1	PE030058	3
A20016144	1	PE030059	3
A20016147	1	PE030076	3
A20016148	1	PE030077	3
A2103810	1	PE040133	1
A2103817	3	PE050034	1
B20010206	1	PE050048	1
B20011042	2	PE050050	1
B20012462	2	PE050141	1
B20012487	2	PE050156	1
B20012488	2	PE070196	1
B20012489	2	PE070197	1
B2003683	1	PE070214	1
B2003837	1	PE070366	4
B2003855	2	PF030337	3
B2003856	2	PJ030014	1
B2003864	2		
B2003868	2		
B2003999	2		
B2004000	2		
G30013926	3		
G31012427	1		
G3104046	2		
PA010071	1		
PC040010	1,3		
PD010003	3		
PD020002	2,3		
PD020010	1		
PD020087	1,2		
PD030006	3		
PD030059	1		
PE010142	3		
PE010143	3		
PE010144	3		
PE010145	3		