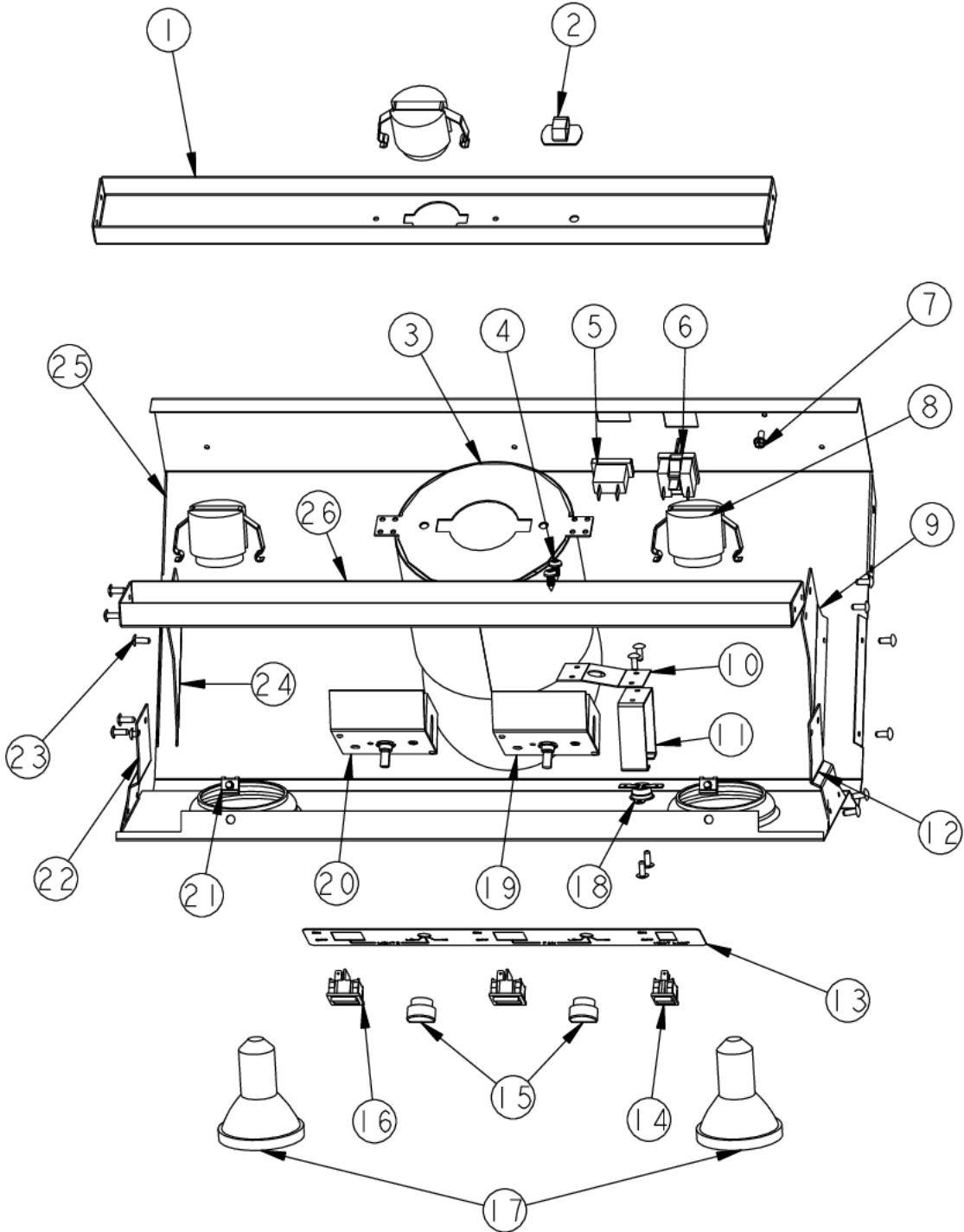


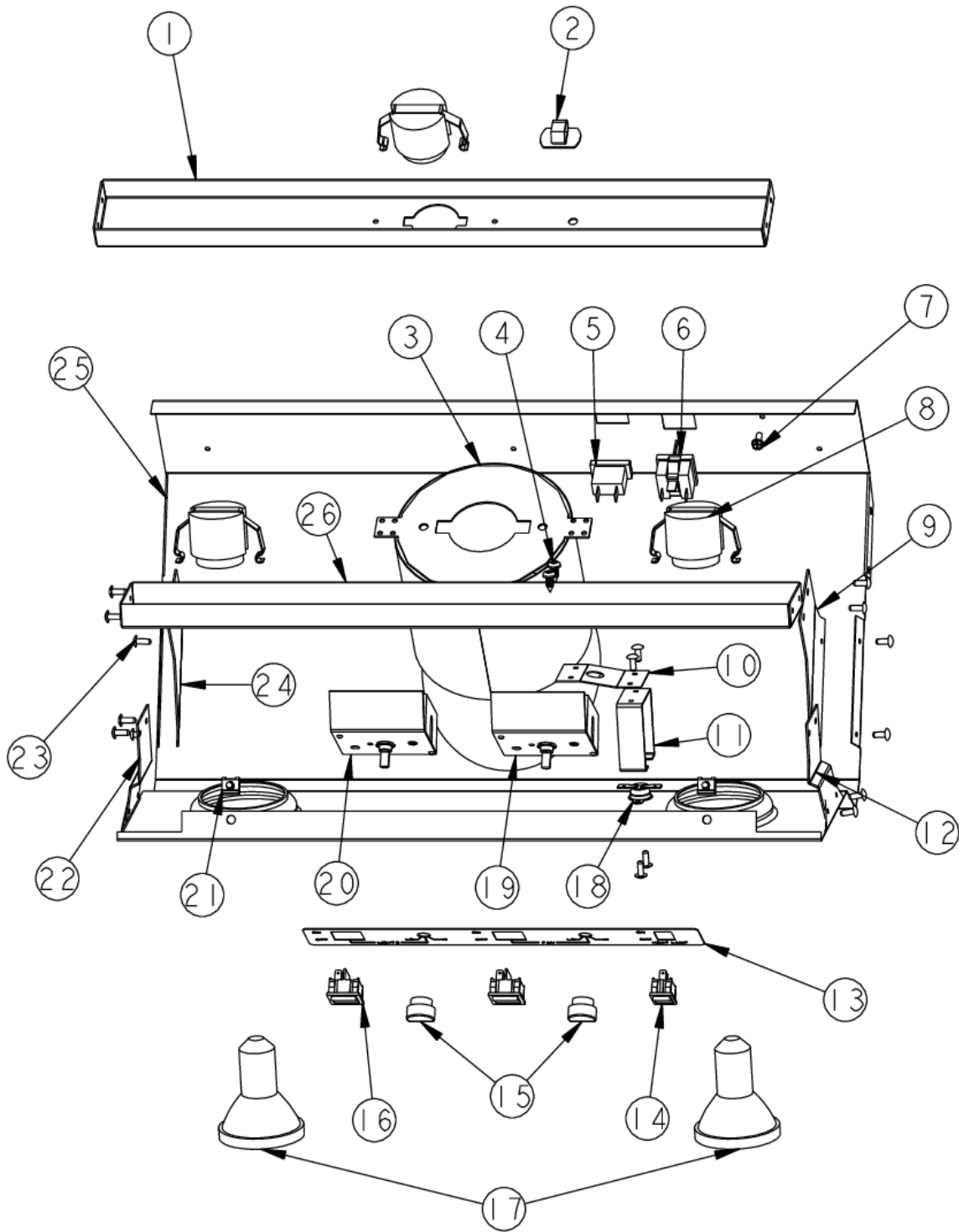
VWH3078

CONTROL AREA	1
FILTER AREA	2
PE070366 WIRE HARNESS	3
UNIT EXTERIOR	4
UNIT LABELS	5
Appendix A:Pages Index	A
Appendix B:Parts Index	B

CONTROL AREA



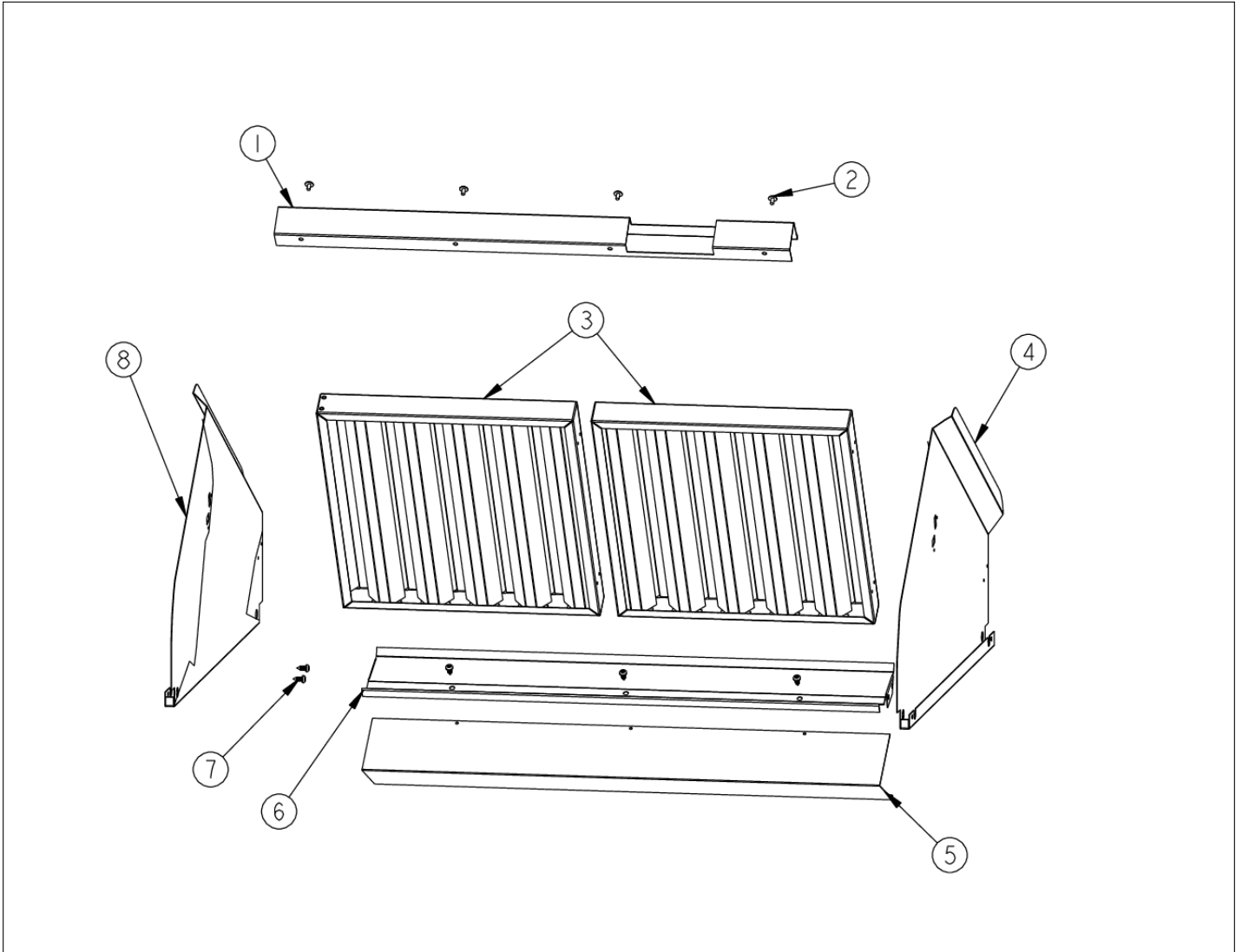
Item	Part No.	Name	Qty	Uom	NOTES
1	A20012428	HEAT LAMP SUPPORT (VWH30)	1	EA	NO LONGER AVAILABLE, Not available online / Call for pricing and availability
2	PE070214	DART CLIP	1	EA	
3	G31012427	HEAT LAMP COWLING ASSY	1	EA	
4	PD020087	10 X 1/2 PAN PH. TEK ZINC	1	EA	
5	PE070196	FEMALE SOCKET (2 PRONG)	1	EA	
6	PE070197	MALE SOCKET (3 PRONG)	1	EA	
7	PD020010	10 X 3/8 GREEN GROUNDING SCREW	1	EA	
8	013549-000	LIGHT SOCKET (125C LEADS)	1	EA	
9	A20016144	HEAT LAMP LIGHT BRACKET - RH	1	EA	NO LONGER AVAILABLE
10	B2003837	HEAT SENSOR BRKT	1	EA	
11	A2103810	THERMODISC BRACKET VWH/VIH	1	EA	
12	A20016148	LIGHT SUPT BRKT BTM (VWH)	1	EA	
13	PE040133	CONTROL PANEL PLATE	1	EA	
14	PE050050	HEAT LAMP SWITCH (A111B1100000)	1	EA	
15	PA010071	LIGHT/MOTOR CONTROLLER KNOB	1	EA	
16	PE050048	FAN/LIGHT SWITCH (HOODS) EP0M11J	1	EA	
17	PE050034	HALOGEN BULB 50W	1	EA	
18	PJ030014	HEAT SENSOR (N.O.) 160 DEG.	1	EA	
19	PE050156	PRO BLOWER CONTROL	1	EA	
20	PE050141	PRO LIGHT CONTROL	1	EA	
21	PD030059	TINNERMAN CLIP U-TYPE FASTNER	1	EA	
22	A20016147	LIGHT SUPPORT BRACKET - LH	1	EA	
23	PC040010	POP RIVET (.063/GR -.125) GAMD42-A	1	EA	
24	A20016143	HEAT LAMP LIGHT BRACKET - LH	1	EA	





Item	Part No.	Name	Qty	Uom	NOTES
25	B20010212	CONTROL PANEL FORMED (VWH3078)	1	EA	NO LONGER AVAILABLE, Not available online / Call for pricing and availability
26	A20012428	HEAT LAMP SUPPORT (VWH30)	1	EA	NO LONGER AVAILABLE, Not available online / Call for pricing and availability

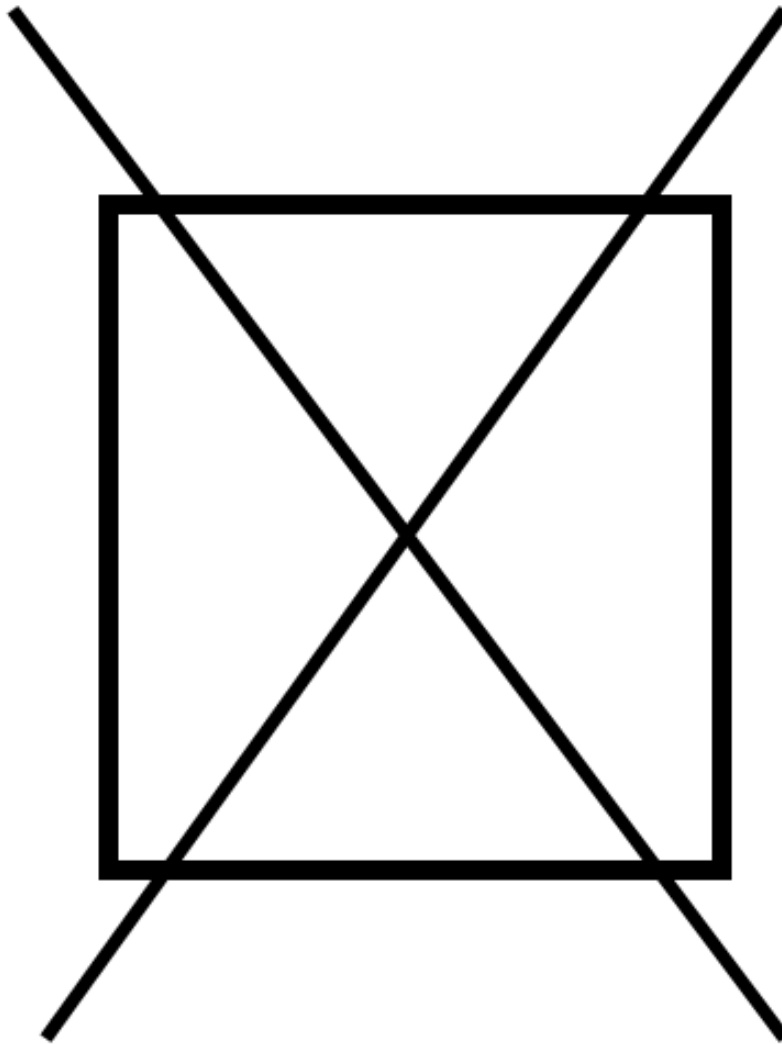
FILTER AREA





Item	Part No.	Name	Qty	Uom	NOTES
1	B20012461	FILTER SUPPORT BRKT (VWH30)		EA	
2	PD020032	SRW-8(A)X3/8"PH.WFR HD 7/16DIA*NICL		EA	
3	G3104046	BAFFLE FILTER ASSY (18" HOODS) 13.375 X 14		EA	
Not Shown	NOTE	(BEFORE 1/15/13)		EA	
3	038862-000	FILTER ASM, W/HANDLES		EA	
Not Shown	NOTE	(ON OR AFTER 1/15/13)		EA	
4	B20012492	I/S SIDE - RH		EA	
5	B20011041	REAR FILTER SUPT BOTTOM (VBCV30)		EA	
6	B20012486	FILTER SUPPORT TOP (VWH/VBCV/VCWH30)		EA	
7	PD020087	10 X 1/2 PAN PH. TEK ZINC		EA	
8	B20012493	I/S SIDE -LH		EA	NO LONGER AVAILABLE
#	B2003849	GREASE TROUGH (VWH3048/78)		EA	
NI	040219-000	FILTER SPACER		EA	
Not Shown	NOTE	(ON OR AFTER 1/15/13)		EA	

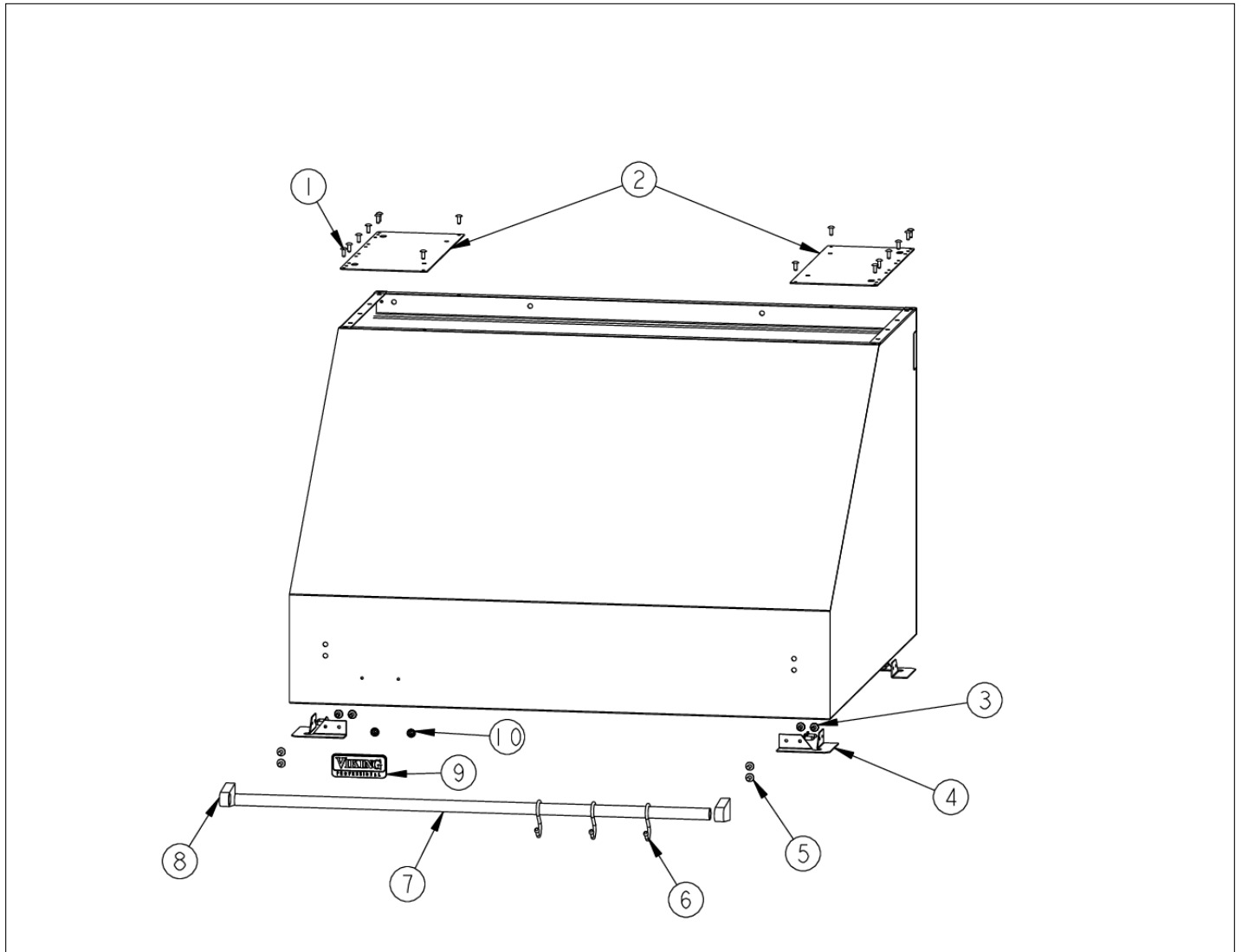
NON
ILLUSTRATED PART





Item	Part No.	Name	Qty	Uom	NOTES
1	PE070366	WIRE HARNESS	1	EA	

UNIT EXTERIOR





Item	Part No.	Name	Qty	Uom	NOTES
1	PD030006	CAPPED WASHER PAL NUT	1	EA	
2	PD020002	10 X 1/2 PH.TR.HD.SMS.	1	EA	
3	A2103817	CORNER BRACKET	1	EA	
4	PD010003	10-24 X 1/2 PH.TR.HD.SERD.M.S.	1	EA	
5	PE030054	END CAP - SS	1	EA	
Not Shown	PE030055	END CAP - BR	1	EA	
6	PE030076	CHROME "S" HOOKS REPL PV100012SS	1	EA	
Not Shown	PE030077	BR 'S' HOOKS REPL PV100012BR	1	EA	
7	PE030120	ACCESSORY RAIL - SS - NLA	1	EA	
Not Shown	F0003869	ACCESSORY RAIL - BR	1	EA	NO LONGER AVAILABLE
8	PE010142	3" VIKING LOGO BLACK/CHROME	1	EA	
Not Shown	PE010143	3" LOGO BK/BR	1	EA	
Not Shown	PE010144	3" LOGO *WH*CHROME	1	EA	NO LONGER AVAILABLE
Not Shown	PE010145	LOGO - WH / BR	1	EA	

UNIT LABELS

1

WARNING - TO REDUCE THE RISK OF A RANGE TOP GREASE FIRE:

A-KEEP FAN AND GREASE LADEN SURFACES CLEAN



B-FREQUENT REMOVAL AND CLEANING OF FILTERS IS RECOMMENDED.

C-EXERCISE CARE WHEN USING CLEANING AGENTS AND DETERGENTS

PF030337

2

MODEL •	PE020058	
SERIAL •	ELECTRIC FAN	
BLOWER	HT. LAMP	MAX AMPS • 120V/60HZ



VIKING RANGE CORP.
 GREENWOOD, MISSISSIPPI 38930 USA

30" MIN. CLEARANCE ABOVE COOKING SURFACE
 SUITABLE FOR IN HOUSEHOLD COOKING AREA.
 FOR MODELS WITH HEAT LAMPS, MAXIMUM HEAT LAMP
 WATTAGE - 250 WATTS PER LAMP. ALL OTHER LIGHT
 TO BE MAXIMUM 50 WATTS PER LAMP.



Item	Part No.	Name	Qty	Uom	NOTES
1	PF030337	HOOD WARNING LABEL	1	EA	
2	PE020058	RATING LABEL (ADHESIVE)	1	EA	



Appendix A:Pages Index

CONTROL AREA	1
FILTER AREA	2
PE070366 WIRE HARNESS	3
UNIT EXTERIOR	4
UNIT LABELS	5



Appendix B:Parts Index

013549-000	1	PE040133	1
038862-000	2	PE050034	1
040219-000	2	PE050048	1
A20012428	1, 1	PE050050	1
A20016143	1	PE050141	1
A20016144	1	PE050156	1
A20016147	1	PE070196	1
A20016148	1	PE070197	1
A2103810	1	PE070214	1
A2103817	4	PE070366	3
B20010212	1	PF030337	5
B20011041	2	PJ030014	1
B20012461	2		
B20012486	2		
B20012492	2		
B20012493	2		
B2003837	1		
B2003849	2		
F0003869	4		
G31012427	1		
G3104046	2		
PA010071	1		
PC040010	1		
PD010003	4		
PD020002	4		
PD020010	1		
PD020032	2		
PD020087	1, 2		
PD030006	4		
PD030059	1		
PE010142	4		
PE010143	4		
PE010144	4		
PE010145	4		
PE020058	5		
PE030054	4		
PE030055	4		
PE030076	4		
PE030077	4		
PE030120	4		