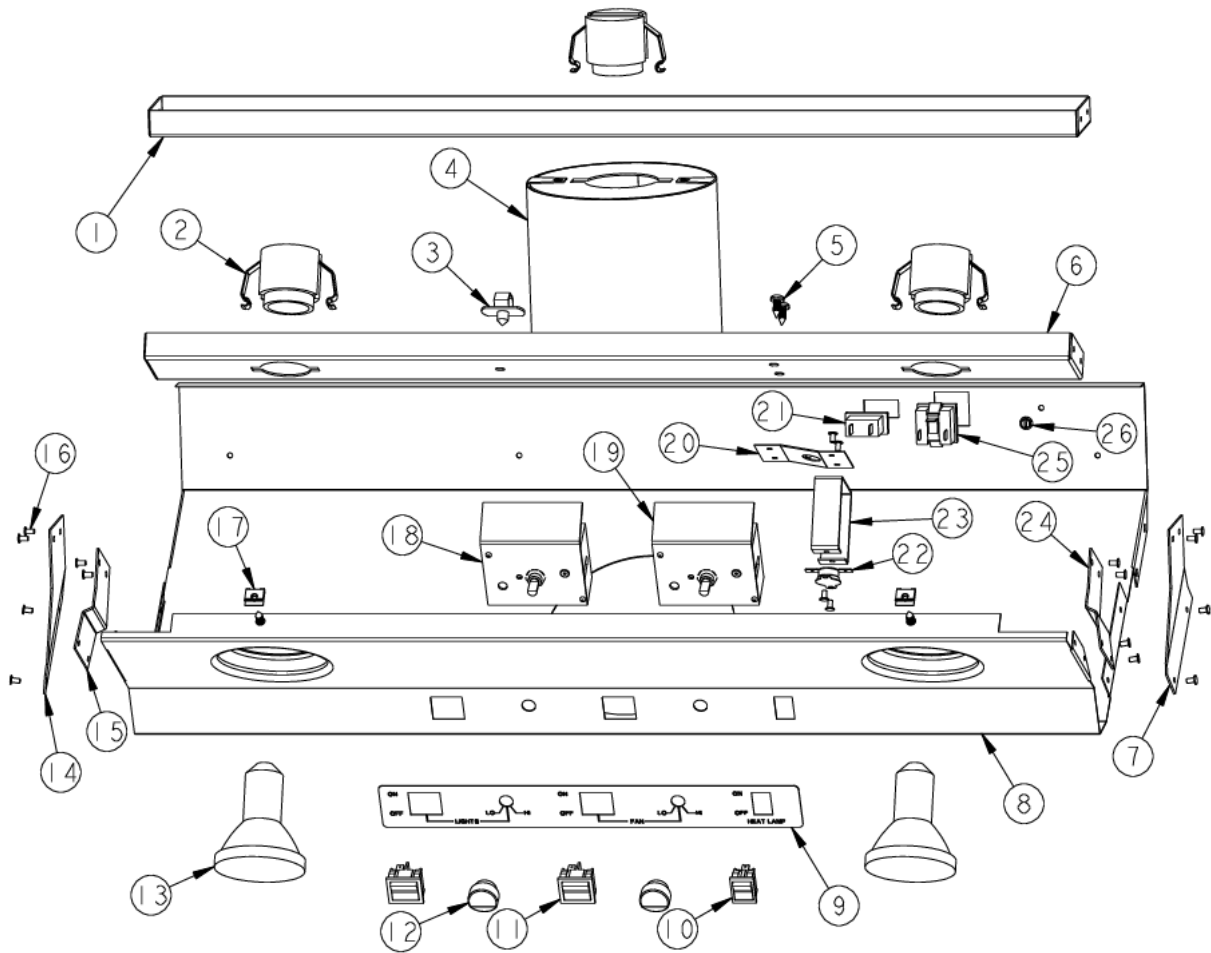


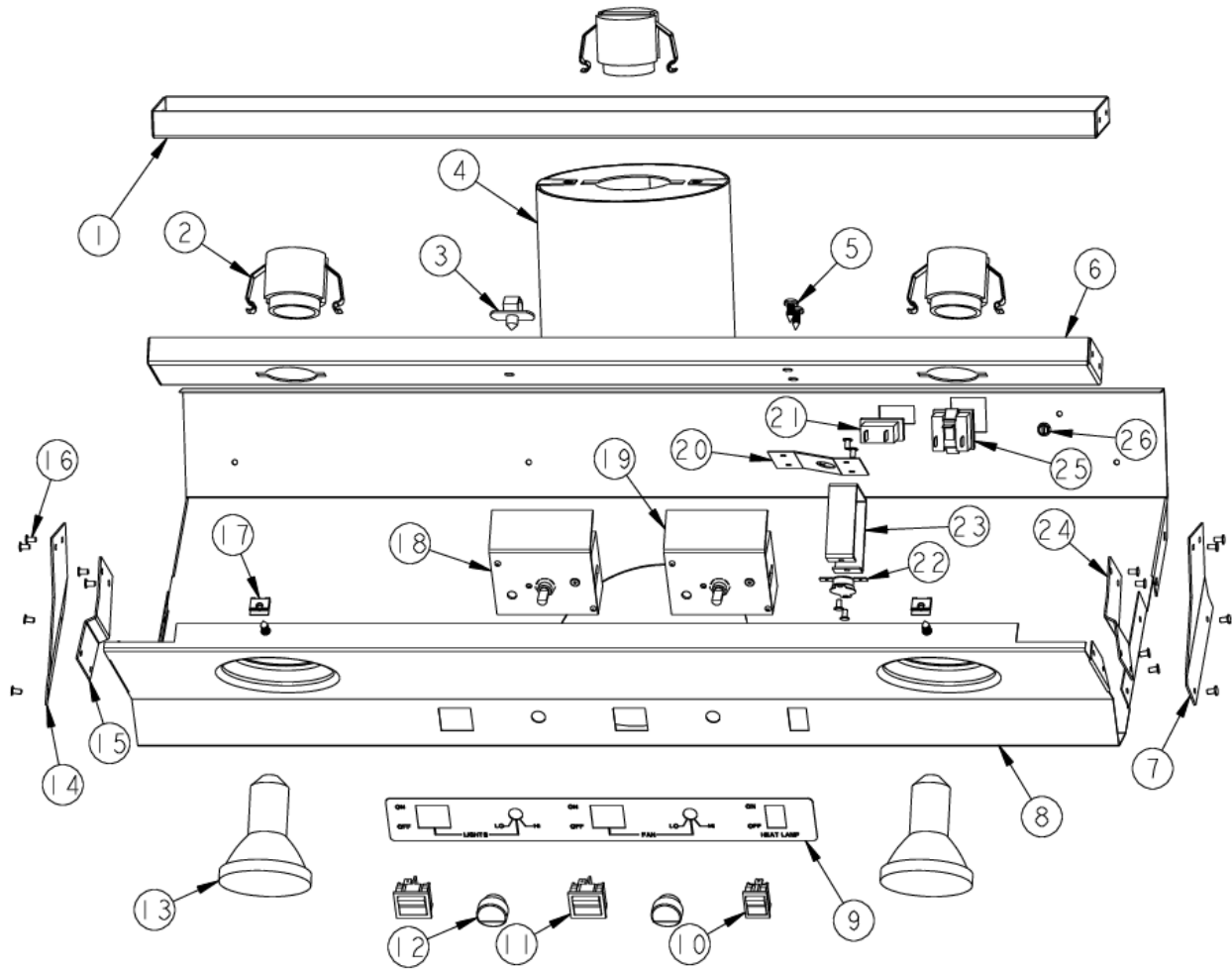
VWH30481

CONTROL AREA	1
FILTER AREA	2
HOOD EXTERNAL AREA	3
WIRING DIAGRAM	4
WIRING HARNESS	5
Appendix A:Pages Index	A
Appendix B:Parts Index	B

CONTROL AREA



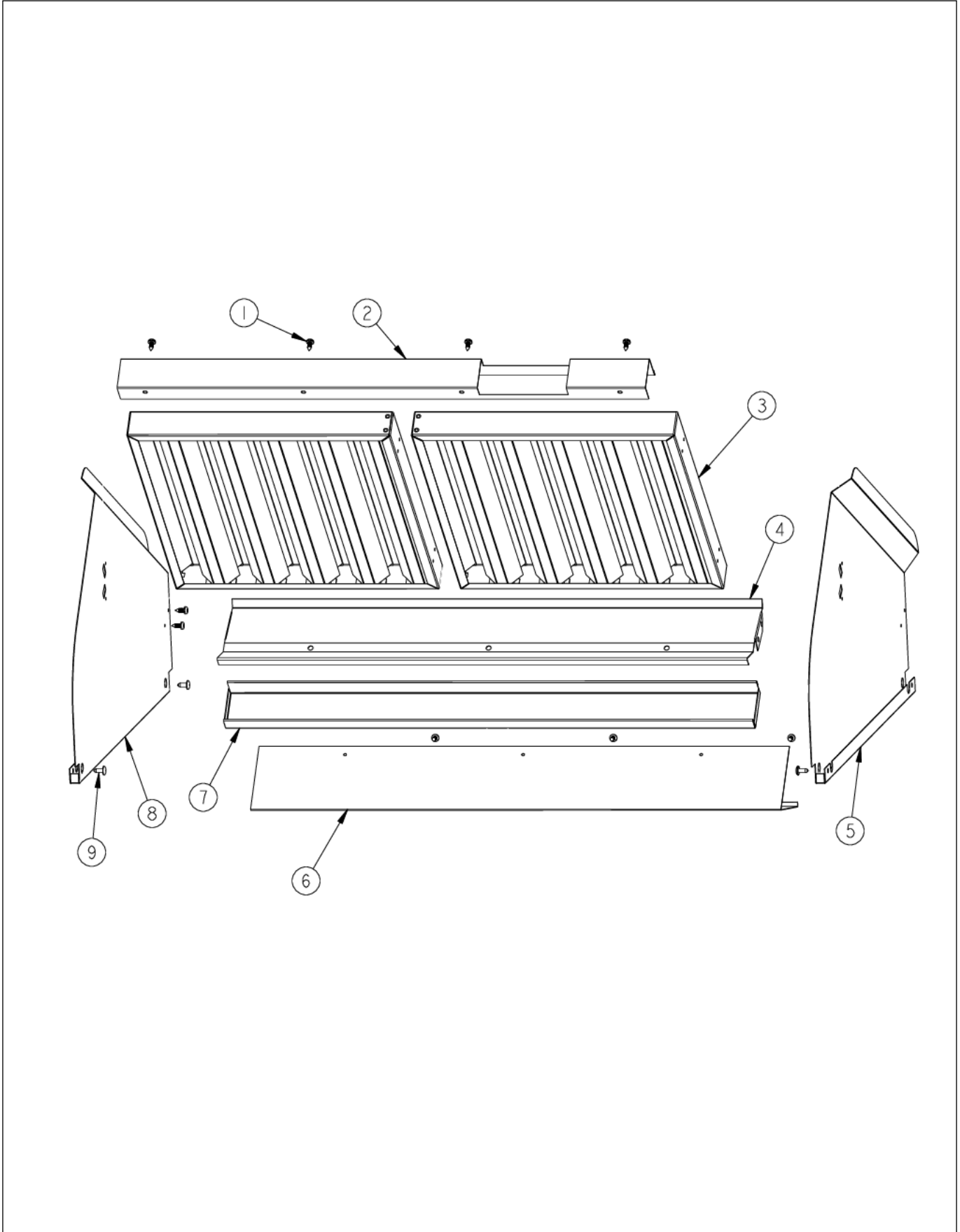
Item	Part No.	Name	Qty	Uom	NOTES
1	A20012428	HEAT LAMP SUPPORT (VWH30)	1	EA	NO LONGER AVAILABLE, Not available online / Call for pricing and availability
2	013549-000	LIGHT SOCKET (125C LEADS)	3	EA	
3	PE070214	DART CLIP	1	EA	
4	G31012427	HEAT LAMP COWLING ASSY	1	EA	
5	PD020087	10 X 1/2 PAN PH. TEK ZINC	5	EA	
6	A20011079	BOTTOM LIGHT SUPT (VWH/VBCV/VCWH30)	1	EA	Not available online / Call for pricing and availability
7	A20016144	HEAT LAMP LIGHT BRACKET - RH	1	EA	NO LONGER AVAILABLE
8	B20010205	CONTROL PANEL FORMED (VWH3048)	1	EA	NO LONGER AVAILABLE, Not available online / Call for pricing and availability
9	PE040133	CONTROL PANEL PLATE	1	EA	
10	PE050050	HEAT LAMP SWITCH (A111B1100000)	1	EA	
11	PE050048	FAN/LIGHT SWITCH (HOODS) EP0M11J	2	EA	
12	PA010071	LIGHT/MOTOR CONTROLLER KNOB	2	EA	
13	PE050034	HALOGEN BULB 50W	2	EA	
14	A20016143	HEAT LAMP LIGHT BRACKET - LH	1	EA	
15	A20016147	LIGHT SUPPORT BRACKET - LH	1	EA	
16	PC040010	POP RIVET (.063/GR -.125) GAMD42-A	16	EA	
17	PD030059	TINNERMAN CLIP U-TYPE FASTNER	6	EA	
18	062057-601	CNTRL, PRO LIGHT, 120VAC	1	EA	
19	062057-602	CNTRL, PRO FAN, 120VAC	1	EA	
20	B2003837	HEAT SENSOR BRKT	1	EA	
21	PE070196	FEMALE SOCKET (2 PRONG)	1	EA	
22	PJ030014	HEAT SENSOR (N.O.) 160 DEG.	1	EA	
23	A2103810	THERMODISC BRACKET VWH/VIH	1	EA	





Item	Part No.	Name	Qty	Uom	NOTES
24	A20016148	LIGHT SUPT BRKT BTM (VWH)	1	EA	
25	PE070197	MALE SOCKET (3 PRONG)	1	EA	
26	PD020010	10 X 3/8 GREEN GROUNDING SCREW	1	EA	
NI	019561-000	ENCLOSED JUNCTION BOX	1	EA	
NI	PE070204	HEYCO STRAIN RELIEF - 7-P2	1	EA	
NI	039680-000	CORD, PWR, SUPPLY, VNT HD	1	EA	

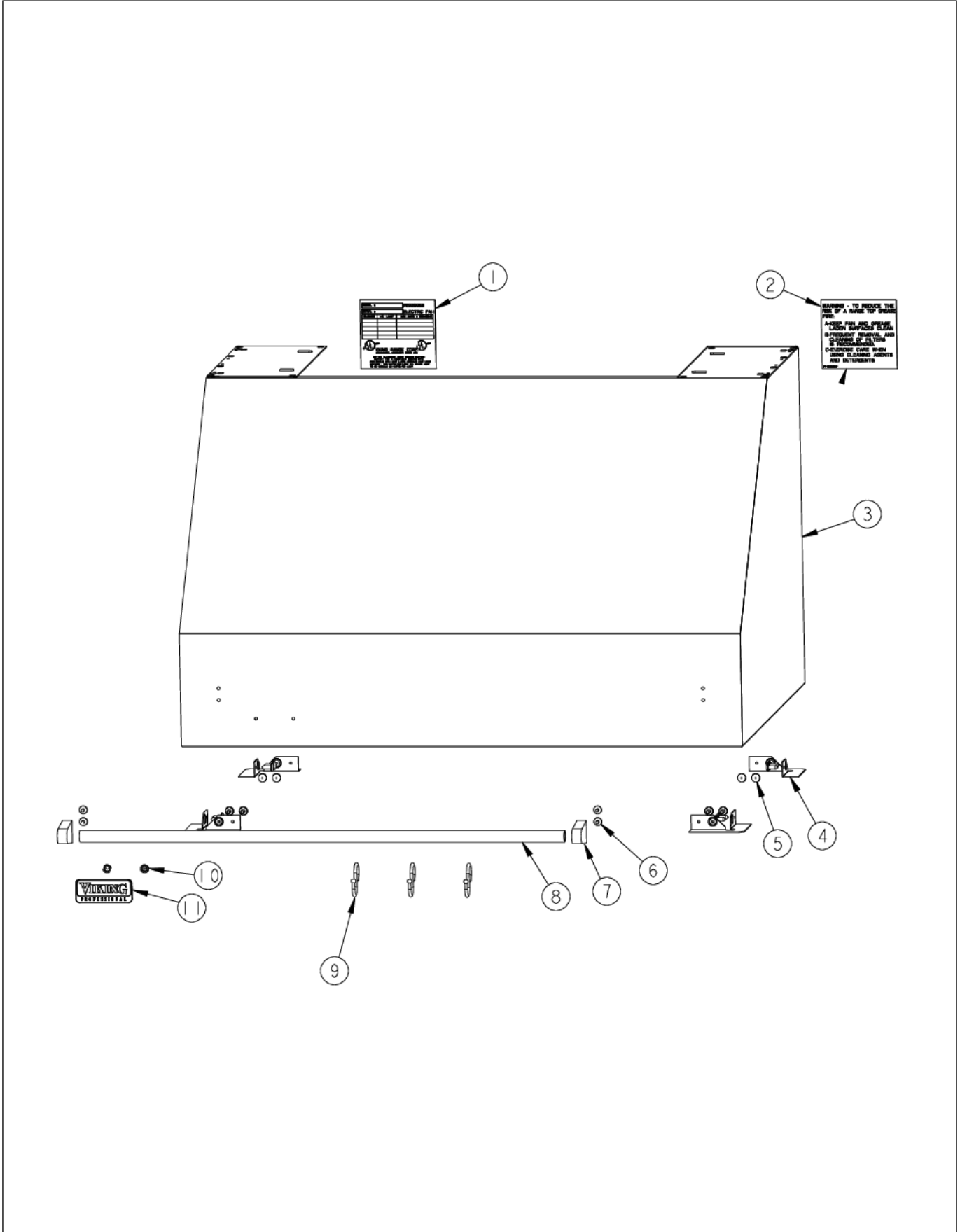
FILTER AREA





Item	Part No.	Name	Qty	Uom	NOTES
1	PD020087	10 X 1/2 PAN PH. TEK ZINC	11	EA	
2	B20012461	FILTER SUPPORT BRKT (VWH30)	1	EA	
3	G3104046	BAFFLE FILTER ASSY (18" HOODS) 13.375 X 14	2	EA	
4	B20012486	FILTER SUPPORT TOP (VWH/VBCV/VCWH30)	1	EA	
5	B20012488	I/S SIDE - RH	1	EA	
6	B20011041	REAR FILTER SUPT BOTTOM (VBCV30)	1	EA	
7	B2003849	GREASE TROUGH (VWH3048/78)	1	EA	
8	B20012489	I/S SIDE - LH	1	EA	
9	PD020002	10 X 1/2 PH.TR.HD.SMS.	4	EA	

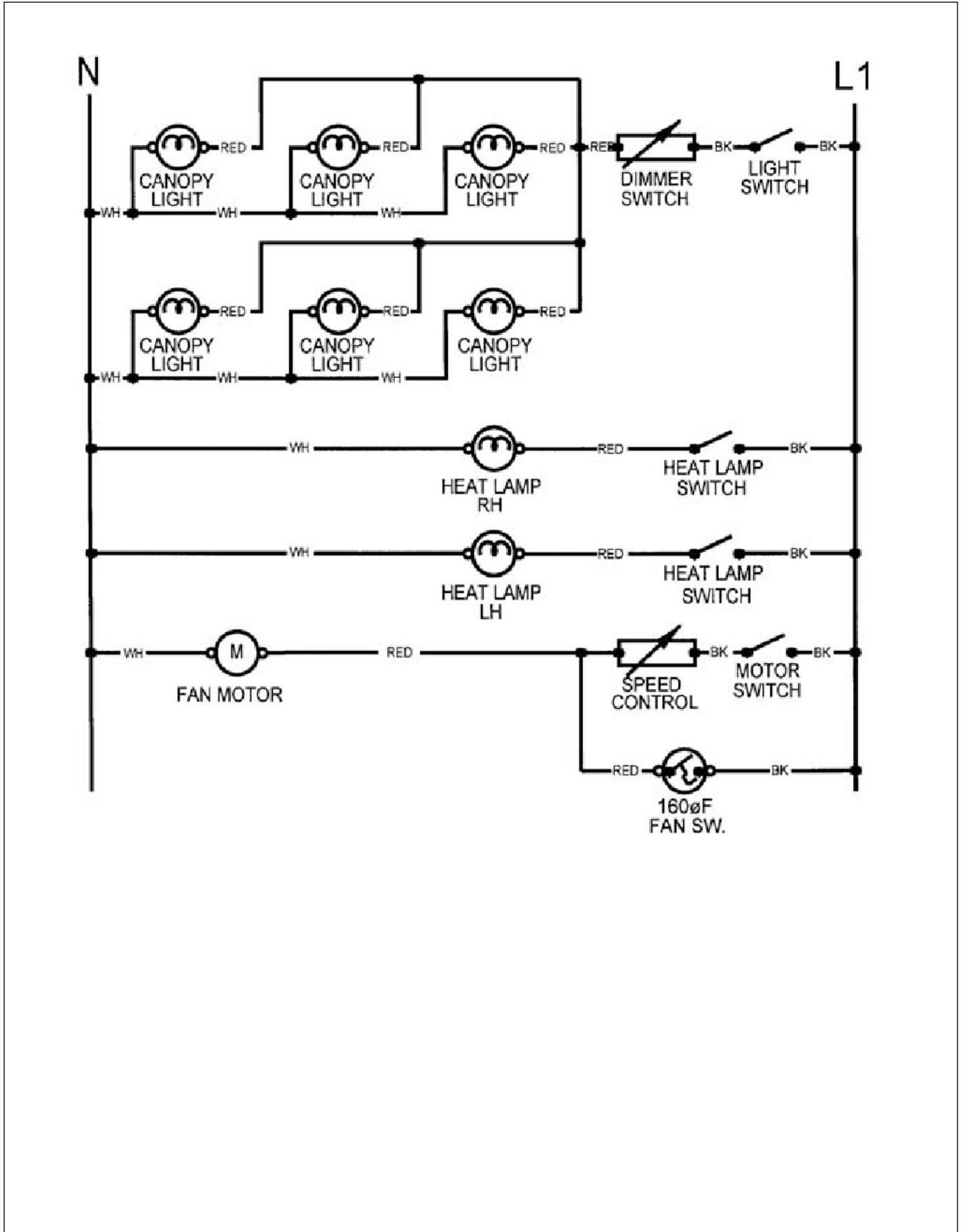
HOOD EXTERNAL AREA



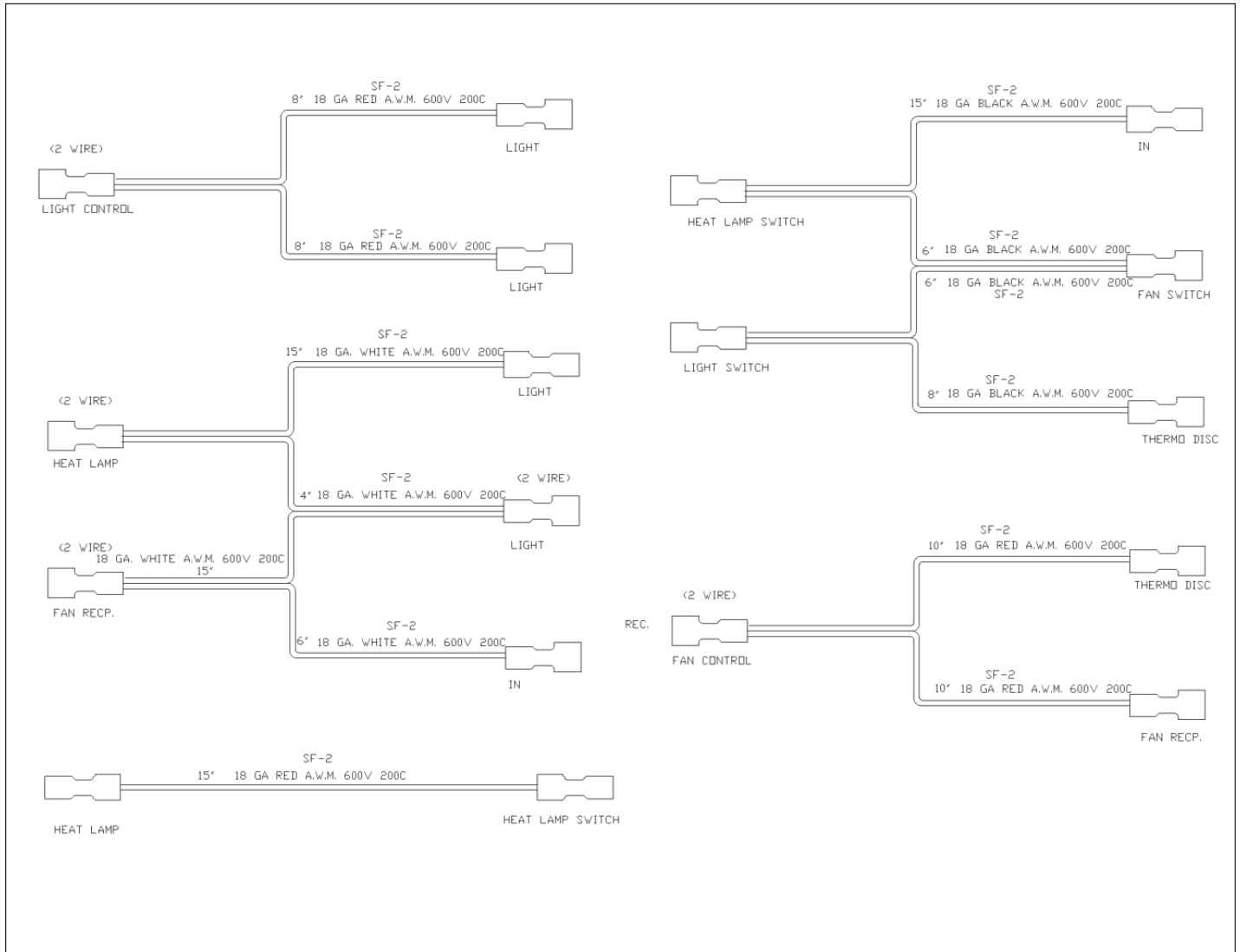


Item	Part No.	Name	Qty	Uom	NOTES
1	PE020058	RATING LABEL (ADHESIVE)	1	EA	
2	PF030337	HOOD WARNING LABEL	1	EA	
3	UNSERVICEABLE	HOOD TOP ASSEMBLY	1	EA	
4	A2103817	CORNER BRACKET	4	EA	
5	PD020002	10 X 1/2 PH.TR.HD.SMS.	8	EA	
6	PD010003	10-24 X 1/2 PH.TR.HD.SERD.M.S.	4	EA	
7	PE030054	END CAP - SS	1	EA	
7	PE030055	END CAP - BR	1	EA	
8	PE030120	ACCESSORY RAIL - SS - NLA	1	EA	
8	F0003869	ACCESSORY RAIL - BR	1	EA	NO LONGER AVAILABLE
9	PE030076	CHROME "S" HOOKS REPL PV100012SS	1	EA	
9	PE030077	BR 'S' HOOKS REPL PV100012BR	1	EA	
10	PD030006	CAPPED WASHER PAL NUT	1	EA	
11	PE010142	3" VIKING LOGO BLACK/CHROME	1	EA	
11	PE010143	3" LOGO BK/BR	1	EA	
11	PE010144	3" LOGO *WH*CHROME	1	EA	NO LONGER AVAILABLE
11	PE010145	LOGO - WH / BR	1	EA	

WIRING DIAGRAM



WIRING HARNESS





VWH30481

Item	Part No.	Name	Qty	Uom	NOTES
1	PE070366	WIRE HARNESS	1	EA	



Appendix A:Pages Index

CONTROL AREA	1
FILTER AREA	2
HOOD EXTERNAL AREA	3
WIRING DIAGRAM	4
WIRING HARNESS	5



Appendix B:Parts Index

013549-000	1	PE030077	3
019561-000	1	PE030120	3
039680-000	1	PE040133	1
062057-601	1	PE050034	1
062057-602	1	PE050048	1
A20011079	1	PE050050	1
A20012428	1	PE070196	1
A20016143	1	PE070197	1
A20016144	1	PE070204	1
A20016147	1	PE070214	1
A20016148	1	PE070366	5
A2103810	1	PF030337	3
A2103817	3	PJ030014	1
B20010205	1		
B20011041	2		
B20012461	2		
B20012486	2		
B20012488	2		
B20012489	2		
B2003837	1		
B2003849	2		
F0003869	3		
G31012427	1		
G3104046	2		
PA010071	1		
PC040010	1		
PD010003	3		
PD020002	2, 3		
PD020010	1		
PD020087	1, 2		
PD030006	3		
PD030059	1		
PE010142	3		
PE010143	3		
PE010144	3		
PE010145	3		
PE020058	3		
PE030054	3		
PE030055	3		
PE030076	3		