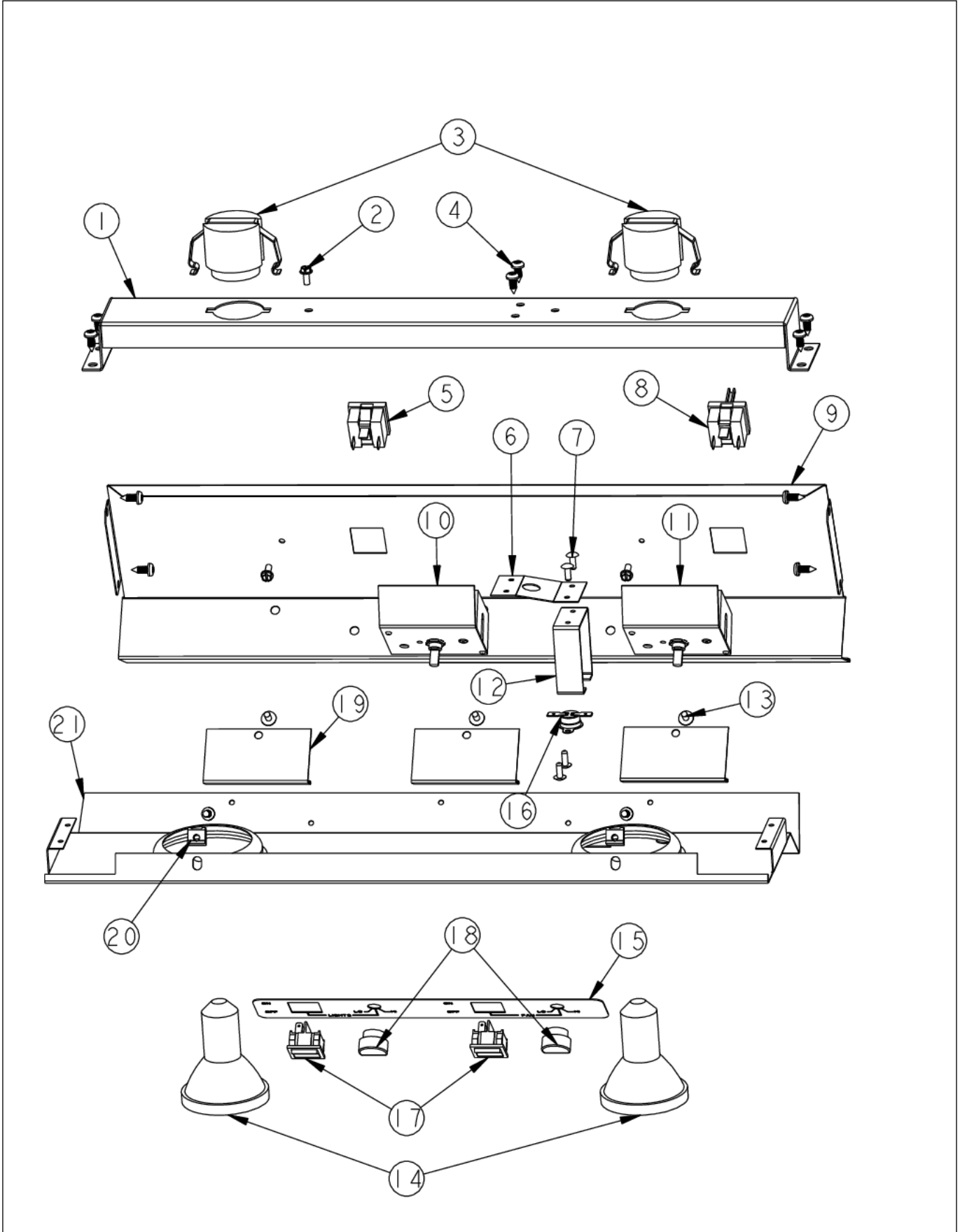


VWH2410

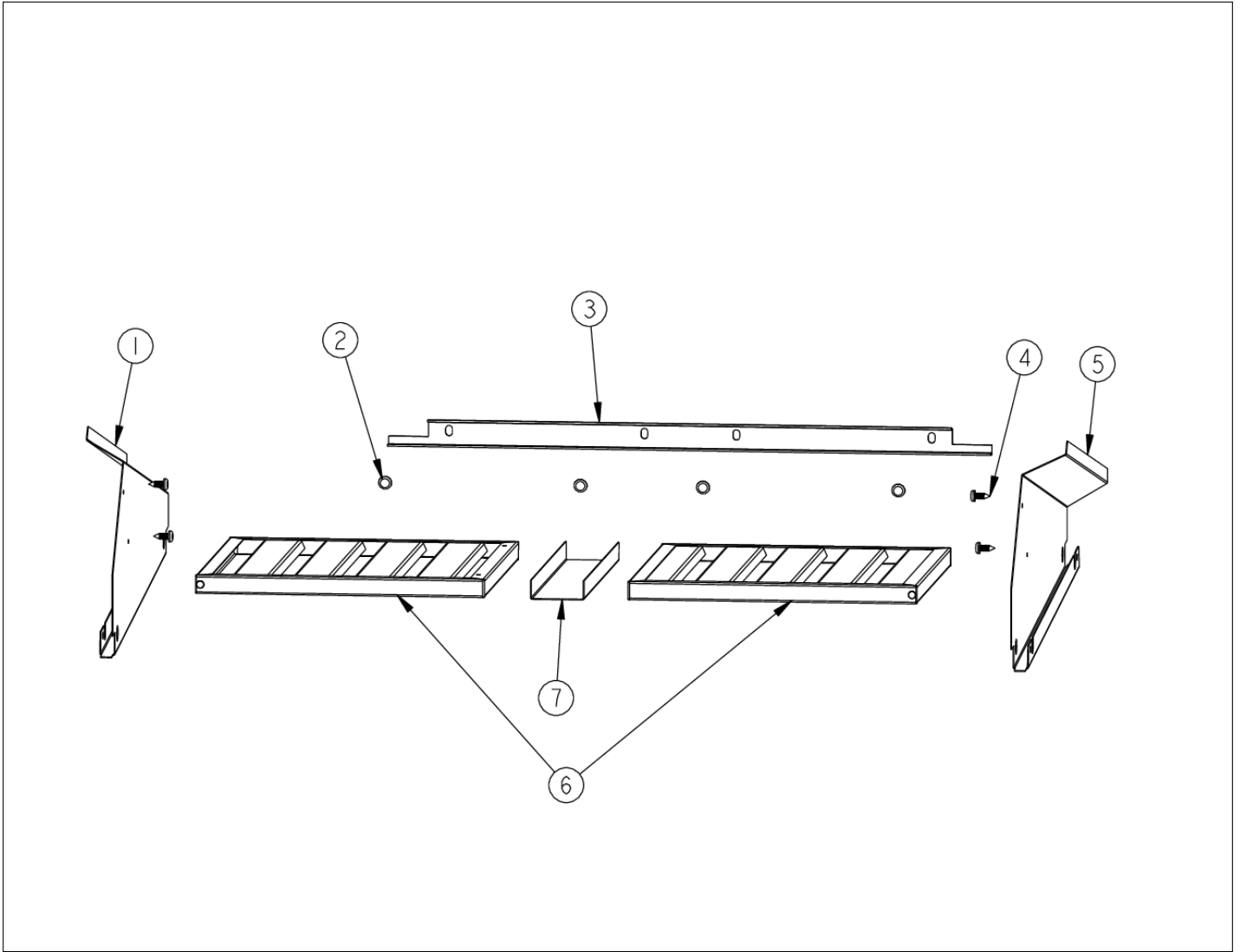
CONTROL AREA	1
FILTER AREA	2
PE070542 SUPPLY CORD	3
PE070555 WIRE HARNESS	4
UNIT EXTERIOR	5
UNIT INTERIOR	6
UNIT LABELS	7
Appendix A:Pages Index	A
Appendix B:Parts Index	B

CONTROL AREA



Item	Part No.	Name	Qty	Uom	NOTES
1	A20012479	LIGHT SUPPORT (VWH2410)	1	EA	NO LONGER AVAILABLE, Not available online / Call for pricing and availability
2	PD020010	10 X 3/8 GREEN GROUNDING SCREW	1	EA	
3	013549-000	LIGHT SOCKET (125C LEADS)	1	EA	
4	PD020087	10 X 1/2 PAN PH. TEK ZINC	1	EA	
5	PE070541	3-PRONG FEMALE SOCKET	1	EA	
6	B2003837	HEAT SENSOR BRKT	1	EA	
7	PC040010	POP RIVET (.063/GR -.125) GAMD42-A	1	EA	
8	PE070197	MALE SOCKET (3 PRONG)	1	EA	
9	B20012475	CONTROL PANEL TOP (VWH2410)	1	EA	NO LONGER AVAILABLE, Not available online / Call for pricing and availability
10	PE050141	PRO LIGHT CONTROL	1	EA	
11	PE050156	PRO BLOWER CONTROL	1	EA	
12	A2103810	THERMODISC BRACKET VWH/VIH	1	EA	
13	PD020032	SRW-8(A)X3/8"PH.WFR HD 7/16DIA*NICL	1	EA	
14	PE050034	HALOGEN BULB 50W	1	EA	
15	PE040131	CTRL PNL GRPH REPL (30/3610 36/4208)	1	EA	
16	PE050048	FAN/LIGHT SWITCH (HOODS) EP0M11J	1	EA	
17	PA010071	LIGHT/MOTOR CONTROLLER KNOB	1	EA	
18	B20010269	FILTER FRONT BRKT (VWH30/3610)	1	EA	
19	PD030059	TINNERMAN CLIP U-TYPE FASTNER	1	EA	
20	B20012473	CONTROL PANEL FORMED (VWH2410)	1	EA	NO LONGER AVAILABLE, Not available online / Call for pricing and availability

FILTER AREA





Item	Part No.	Name	Qty	Uom	NOTES
1	B2003815	HOOD I/S SIDE RH (21" DEEP)	1	EA	
2	PD020032	SRW-8(A)X3/8"PH.WFR HD 7/16DIA*NICL	1	EA	
3	B20012474	REAR FILTER SUPPORT (VWH2410)	1	EA	
4	PD020087	10 X 1/2 PAN PH. TEK ZINC	1	EA	
5	B2003816	HOOD I/S SIDE LH (21" DEEP)	1	EA	
6	G31012480	FILTER ASSEMBLY (VWH2410) 12.875" x 9.5"	1	EA	
7	B2007005	FILTER SPACER (VWH3010) 1.75 X 12.75	1	EA	

PE070542 SUPPLY CORD

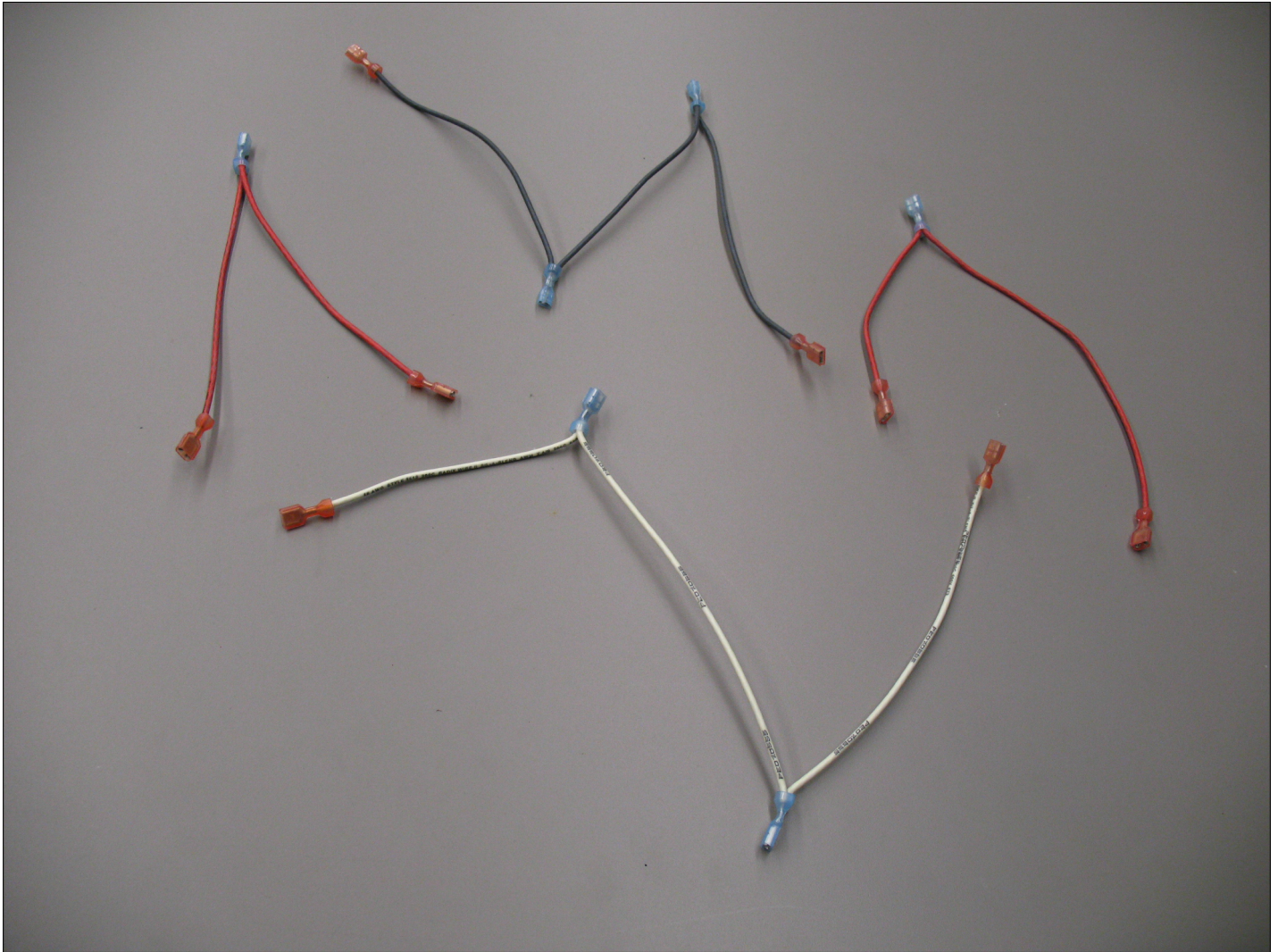




VWH2410

Item	Part No.	Name	Qty	Uom	NOTES
1	PE070542	3-PRONG MALE CORD W/AMP CON	1	EA	

PE070555 WIRE HARNESS

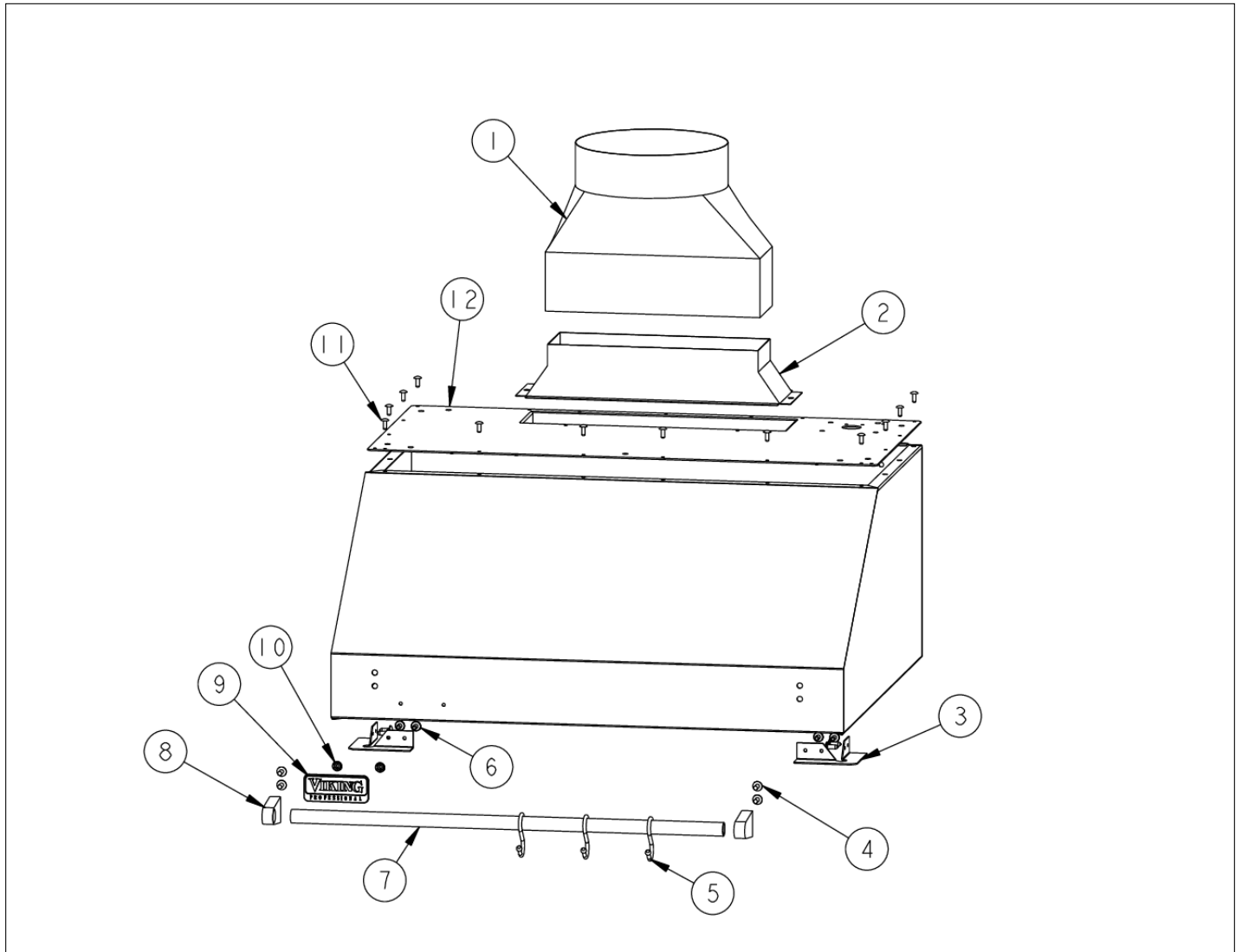




VWH2410

Item	Part No.	Name	Qty	Uom	NOTES
1	PE070555	VWH30/3610 WIRE KIT	1	EA	

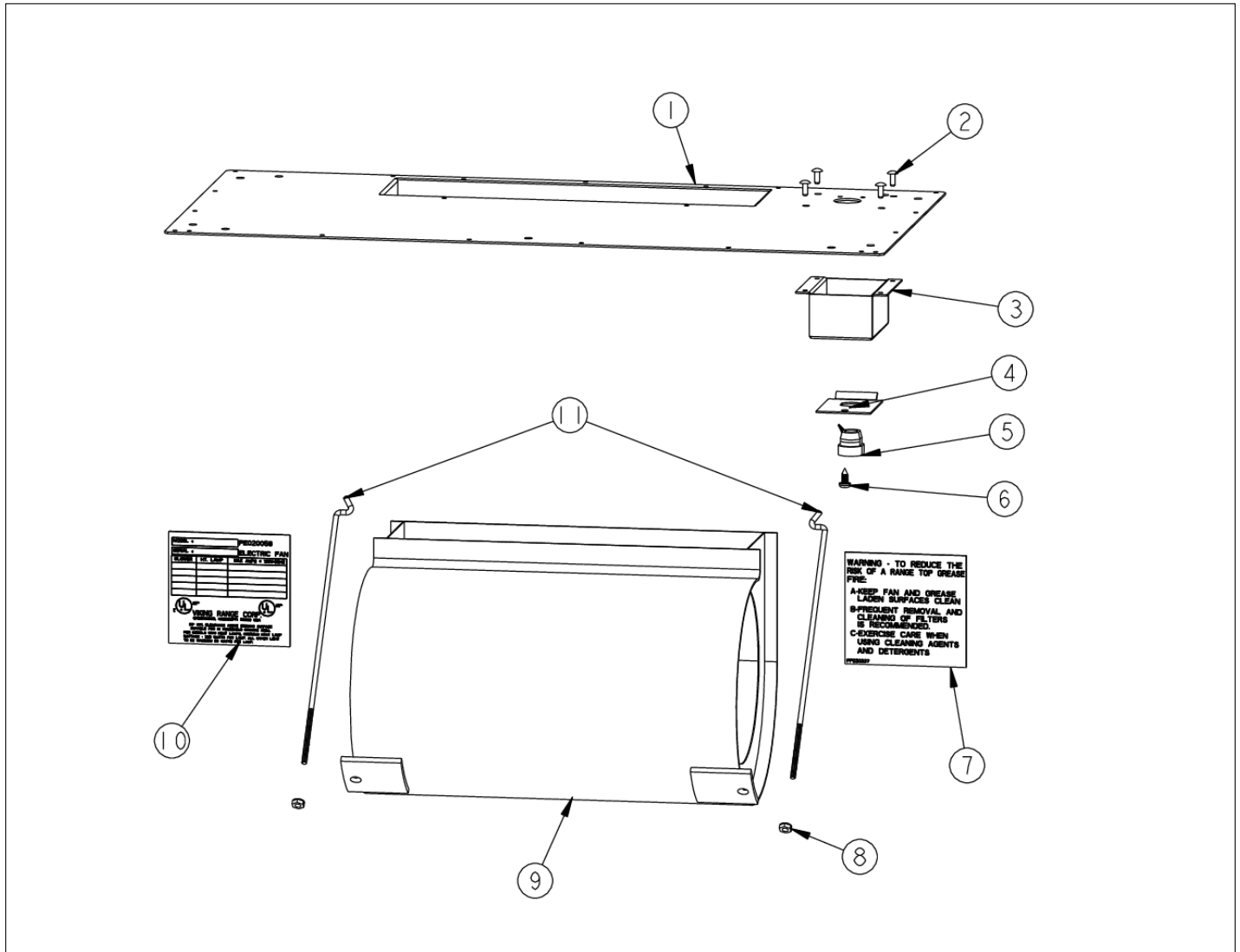
UNIT EXTERIOR





Item	Part No.	Name	Qty	Uom	NOTES
1	PM010045	3 1/4" X 10" RECT. TO 7" DIA(TRANS)	1	EA	
2	PE050043	DAMPER/TRANSITION 460 CFM 97006078	1	EA	
3	A2103817	CORNER BRACKET	1	EA	
4	PD010003	10-24 X 1/2 PH.TR.HD.SERD.M.S.	1	EA	
5	PE030076	CHROME "S" HOOKS REPL PV100012SS	1	EA	
Not Shown	PE030077	BR 'S' HOOKS REPL PV100012BR	1	EA	
6	PD020002	10 X 1/2 PH TR HD SMS	1	EA	
7	PE030120	ACCESSORY RAIL - SS - NLA	1	EA	
Not Shown	PE030059	36" BRASS ACCESSORY RAIL	1	EA	
8	PE030054	END CAP - SS	1	EA	
Not Shown	PE030055	END CAP - BR	1	EA	
9	PE010142	3" LOGO *BK**CHROME	1	EA	
Not Shown	PE010143	3" LOGO, BK/BR	1	EA	
Not Shown	PE010144	3" LOGO *WH*CHROME	1	EA	NO LONGER AVAILABLE
Not Shown	PE010145	LOGO - WH / BR	1	EA	
10	PD030006	CAPPED WASHER PAL NUT	1	EA	
11	PC040010	POP RIVET (.063/GR -.125) GAMD42-A	1	EA	
12	A20012476	HOOD TOP (VWH2410)	1	EA	NO LONGER AVAILABLE, Not available online / Call for pricing and availability

UNIT INTERIOR





Item	Part No.	Name	Qty	Uom	NOTES
1	A20012476	HOOD TOP (VWH2410)	1	EA	NO LONGER AVAILABLE, Not available online / Call for pricing and availability
2	PC040010	POP RIVET (.063/GR -.125) GAMD42-A	1	EA	
3	A2003825	ROUGH IN BOX (VWH30/3610)	1	EA	NO LONGER AVAILABLE
4	A2003826	ROUGH IN BOX COVER (VWH30/3610)	1	EA	
5	PE070204	HEYCO STRAIN RELIEF - 7-P2	1	EA	
6	PD020087	10 X 1/2 PAN PH. TEK ZINC	1	EA	
7	PF030337	HOOD WARNING LABEL	1	EA	
8	PD030131	' #10-24 HEX NUT W/NYLON LOCK RING	1	EA	
9	PE050042	BLOWER INT 460 CFM 97007542	1	EA	
10	PE020058	RATING LABEL (ADHESIVE)	1	EA	
11	PD010035	BLOWER MTG ROD #10-24 99420464	1	EA	

UNIT LABELS

1

WARNING - TO REDUCE THE RISK OF A RANGE TOP GREASE FIRE:

A-KEEP FAN AND GREASE LADEN SURFACES CLEAN



B-FREQUENT REMOVAL AND CLEANING OF FILTERS IS RECOMMENDED.

C-EXERCISE CARE WHEN USING CLEANING AGENTS AND DETERGENTS

PF030337

2

MODEL •	PE020058	
SERIAL •	ELECTRIC FAN	
BLOWER	HT. LAMP	MAX AMPS • 120V/60HZ



VIKING RANGE CORP.
 GREENWOOD, MISSISSIPPI 38930 USA

30" MIN. CLEARANCE ABOVE COOKING SURFACE
 SUITABLE FOR IN HOUSEHOLD COOKING AREA.
 FOR MODELS WITH HEAT LAMPS, MAXIMUM HEAT LAMP
 WATTAGE - 250 WATTS PER LAMP. ALL OTHER LIGHT
 TO BE MAXIMUM 50 WATTS PER LAMP.



Item	Part No.	Name	Qty	Uom	NOTES
1	PF030337	HOOD WARNING LABEL	1	EA	
2	PE020058	RATING LABEL (ADHESIVE)	1	EA	



Appendix A:Pages Index

CONTROL AREA 1
FILTER AREA 2
PE070542 SUPPLY CORD 3
PE070555 WIRE HARNESS 4
UNIT EXTERIOR 5
UNIT INTERIOR 6
UNIT LABELS 7



Appendix B:Parts Index

013549-000	1	PE050042	6
A20012476	5, 6	PE050043	5
A20012479	1	PE050048	1
A2003825	6	PE050141	1
A2003826	6	PE050156	1
A2103810	1	PE070197	1
A2103817	5	PE070204	6
B20010269	1	PE070541	1
B20012473	1	PE070542	3
B20012474	2	PE070555	4
B20012475	1	PF030337	6, 7
B2003815	2	PM010045	5
B2003816	2		
B2003837	1		
B2007005	2		
G31012480	2		
PA010071	1		
PC040010	1, 5, 6		
PD010003	5		
PD010035	6		
PD020002	5		
PD020010	1		
PD020032	1, 2		
PD020087	1, 2, 6		
PD030006	5		
PD030059	1		
PD030131	6		
PE010142	5		
PE010143	5		
PE010144	5		
PE010145	5		
PE020058	6, 7		
PE030054	5		
PE030055	5		
PE030059	5		
PE030076	5		
PE030077	5		
PE030120	5		
PE040131	1		
PE050034	1		