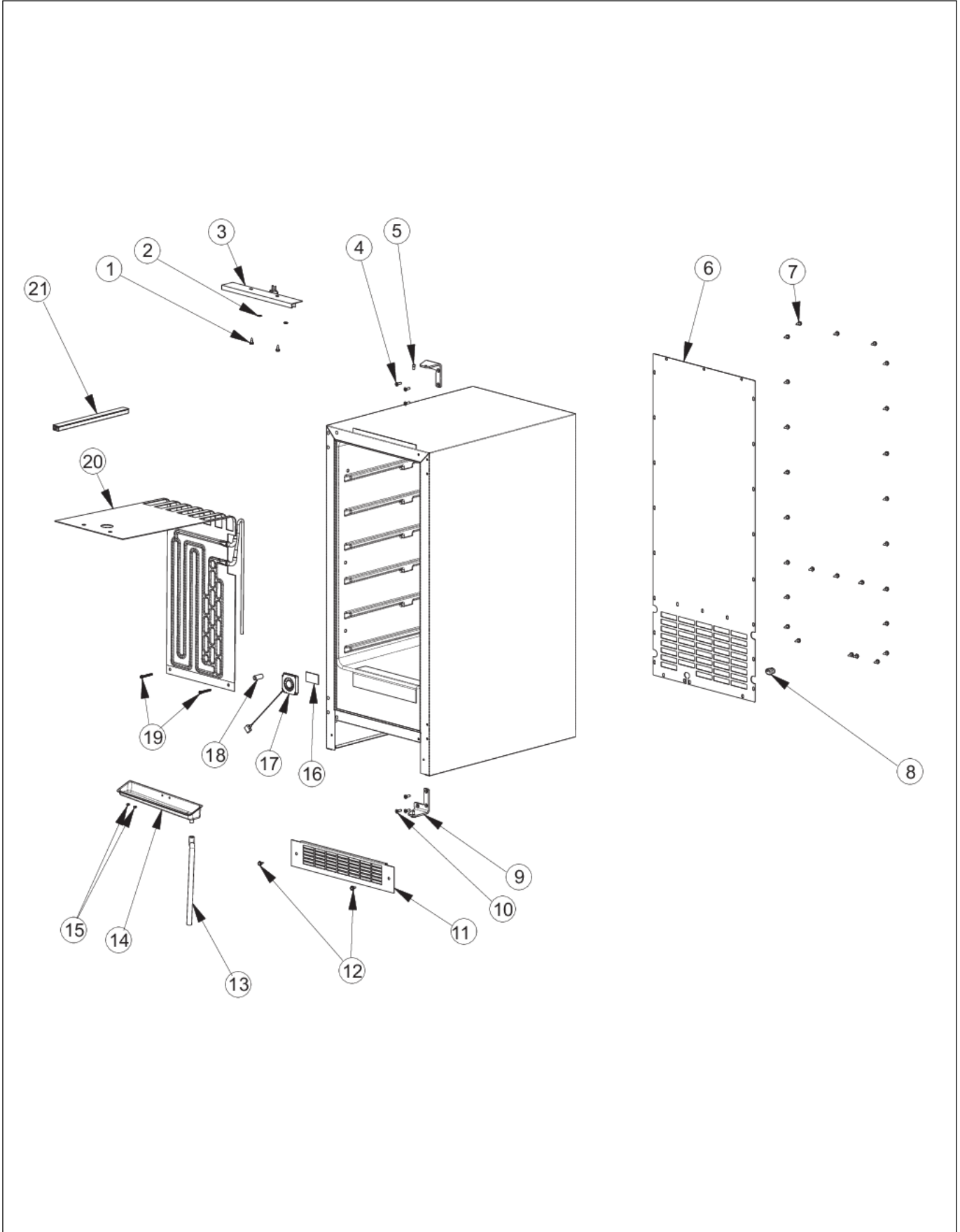


VUWC154

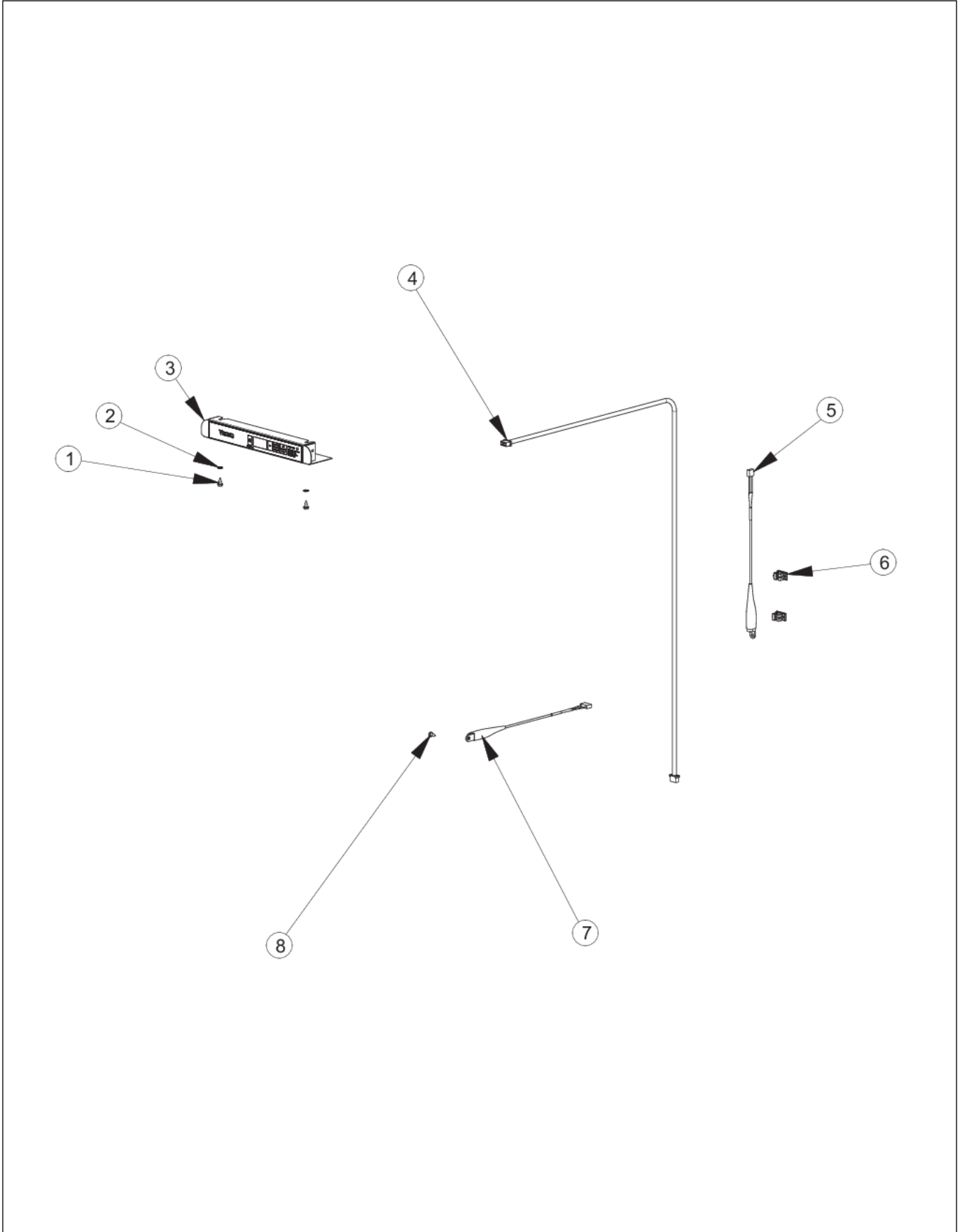
CABINET AREA	1
CONTROL AREA	2
INTERIOR SHELVING	3
LOWER UNIT AREA	4
PRO GLASS	5
PRO SOLID	6
Appendix A:Pages Index	A
Appendix B:Parts Index	B

CABINET AREA



Item	Part No.	Name	Qty	Uom	NOTES
1	009924-000	WASHER HD SCREW - ZN	2	EA	
2	007641-000	#10 EXTERNAL TOOTH LOCKWASHER	1	EA	
3	PS100007	AURA LIGHT ASSY (BLACK) 42245124	1	EA	
4	010236-000	10-32 X 3/4" PHILLIPS COUNTERSUNK SCREW, ZN	3	EA	Not available online / Call for pricing and availability
5	010695-000	STANDARD HINGE, RIGHT TOP, CHROME	1	EA	
6	PS100019	BACK PANEL ASSEMBLY (42245283) 152 WC	1	EA	
7	009924-000	WASHER HD SCREW - ZN	26	EA	
8	010021-000	BUSHING	1	EA	
9	010702-000	STANDARD HINGE, RIGHT BOTTOM, CHROME	1	EA	
10	010236-000	10-32 X 3/4" PHILLIPS COUNTERSUNK SCREW, ZN	3	EA	Not available online / Call for pricing and availability
11	028470-000	TOE GRILLE, BLACK	1	EA	
12	009489-000	#12 X 3/4 TYPE AB PHILLIPS SCREW, BLACK	2	EA	
13	PW240045	SERV. ASSY BLACK DRAIN TUBE 42244609	1	EA	
14	010772-000	DRIP TRAY - BL	1	EA	
15	PW200019	POP RIVET	2	EA	Not available online / Call for pricing and availability
16	010245-000	DOUBLEE SIDED TAPE, 1.75"	1	EA	
17	009747-000	EVAPORATOR FAN	1	EA	
18	010028-000	1" SPACER - BK	2	EA	
19	PW200007	SCREW, EVAPOR. (VUWC140)* 08204902	2	EA	NO LONGER AVAILABLE
20	010774-000	EVAPORATOR ASSEMBLY	1	EA	
21	010022-000	WIRE CONDUIT	1	EA	
NI	022494-000	Leg Leveler	4	EA	

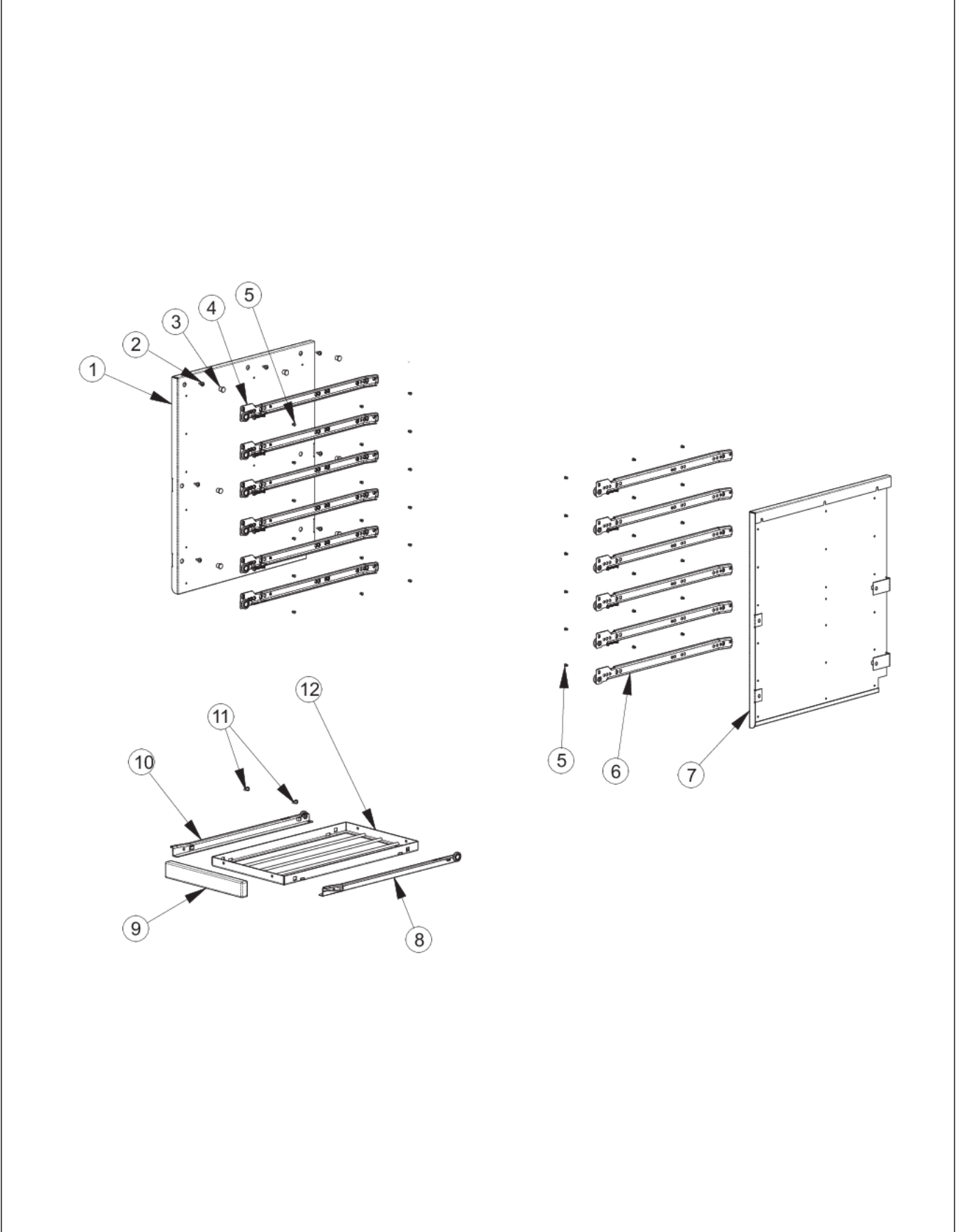
CONTROL AREA





Item	Part No.	Name	Qty	Uom	NOTES
1	009924-000	WASHER HD SCREW - ZN	2	EA	
2	009486-000	#10 EXTERNAL TOOTH STAR WASHER, SS	2	EA	Not available online / Call for pricing and availability
3	028581-000	DISPLAY ASM BK, 15" WC GLASS DR.	1	EA	
3	028582-000	DISPLAY ASM BK, 15" WC SOLID DR.	1	EA	
4	010227-000	COMMUNICATION CABLE	1	EA	
5	009483-000	EVAPORATOR TEMPERATURE THERMISTOR	1	EA	
6	007640-000	PLASTIC WIRE CLIP	2	EA	Not available online / Call for pricing and availability
7	010220-000	DISPLAY TEMP SENSOR	1	EA	
8	010698-000	SCREW, #10 X .5 ZN	1	EA	Not available online / Call for pricing and availability

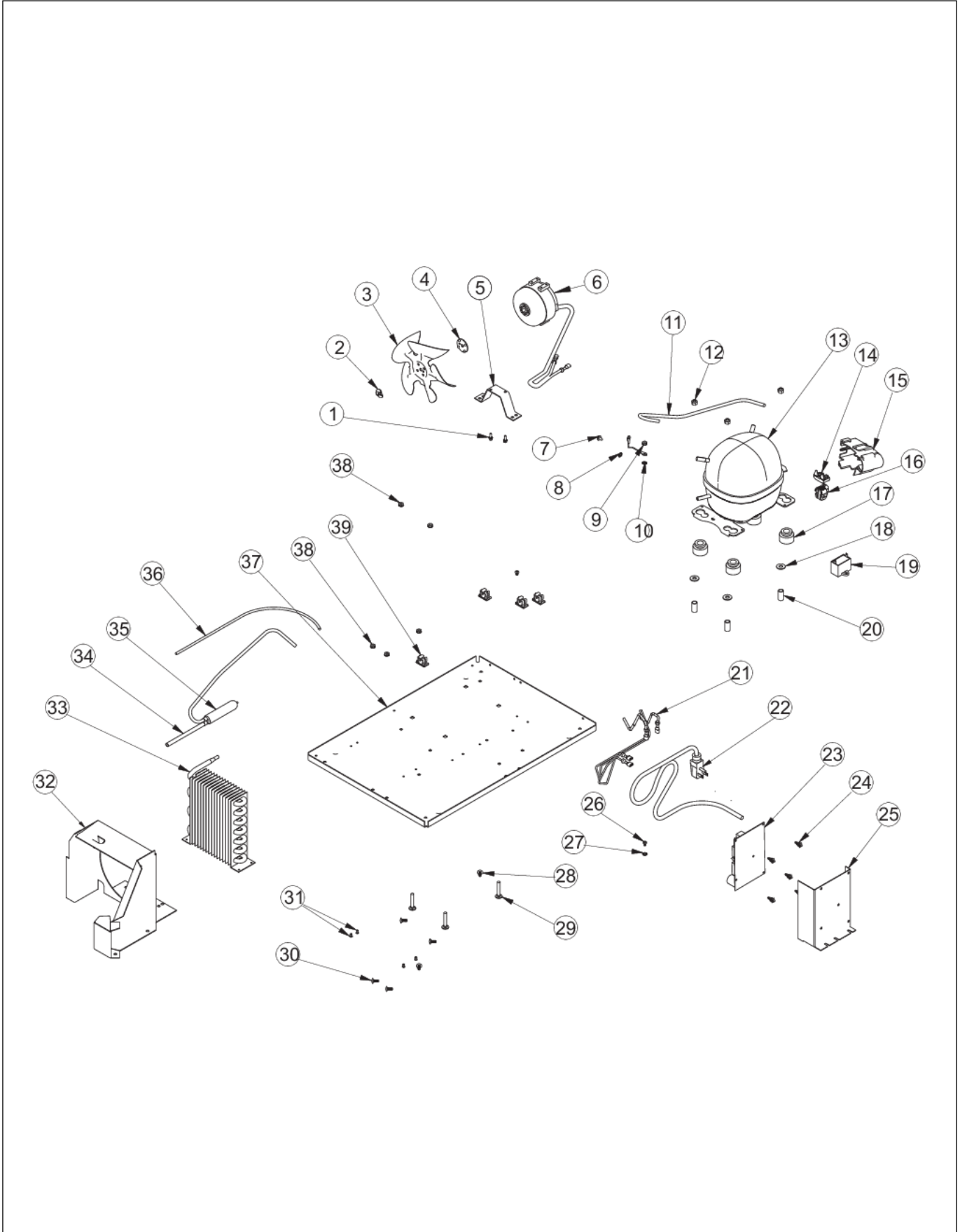
INTERIOR SHELVING





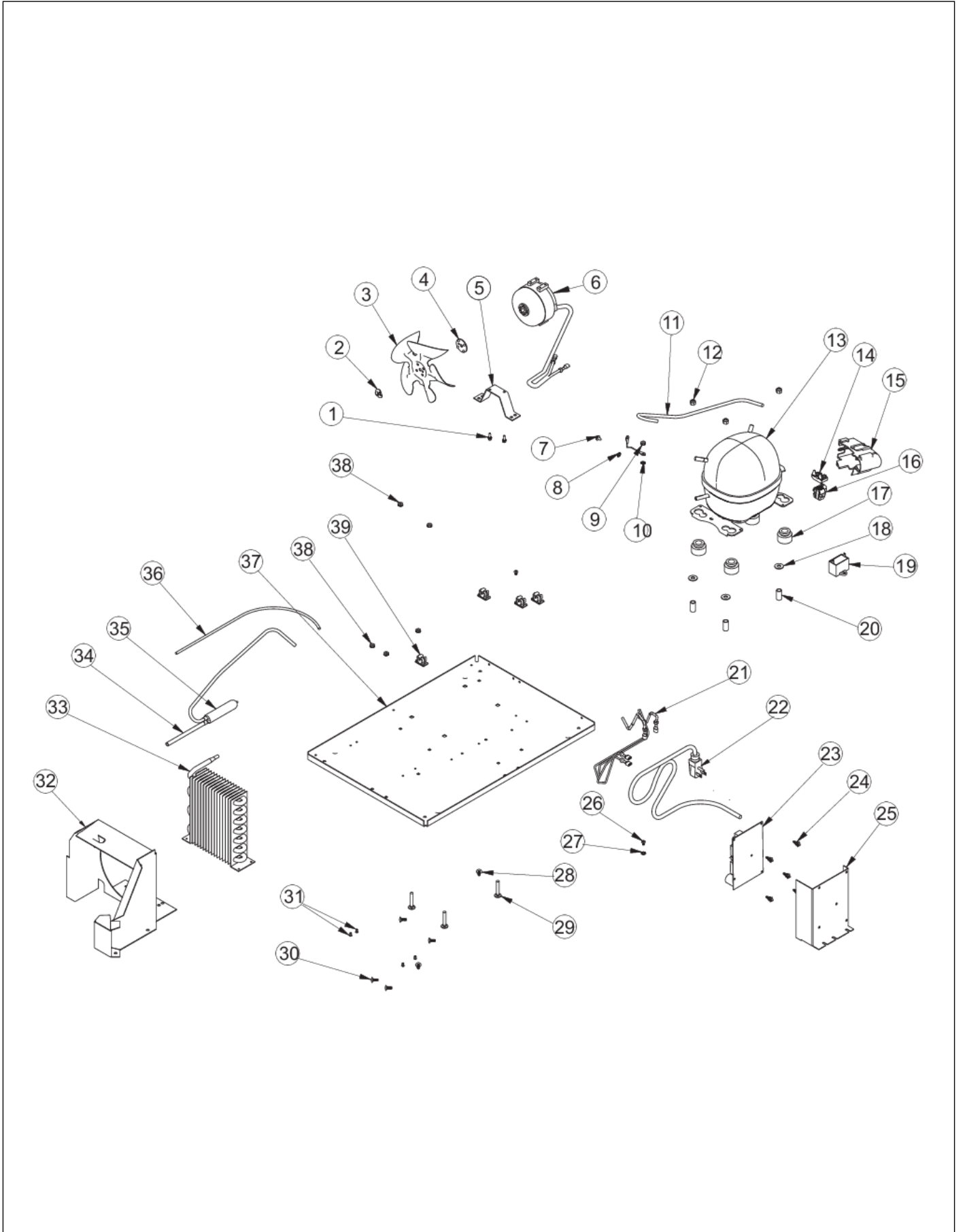
Item	Part No.	Name	Qty	Uom	NOTES
1	010769-000	LINER SHIELD - LH	1	EA	
2	010698-000	SCREW, #10 X .5 ZN	1	EA	Not available online / Call for pricing and availability
3	010228-000	BUSHING 2620	6	EA	Not available online / Call for pricing and availability
4	010226-000	CABINET SIDE, LH - BK	6	EA	
5	010039-000	RIVET, 1/8" STEEL	36	EA	Not available online / Call for pricing and availability
6	022346-000	BAYONET MOUNT CABINET SLIDE, BLACK	1	EA	
7	010773-000	LINER SHIELD - RH	1	EA	
8	010235-000	SHELF SLIDED, RH - BK	6	EA	
9	010771-000	FRONT NATURAL WOOD	6	EA	
10	010232-000	SHELF SLIDE, LH - BK	6	EA	
11	010230-000	SCREW, #8 X 1/2 PH PAN HEAD	12	EA	Not available online / Call for pricing and availability
12	010770-000	SHELF RACK	6	EA	Not available online / Call for pricing and availability

LOWER UNIT AREA



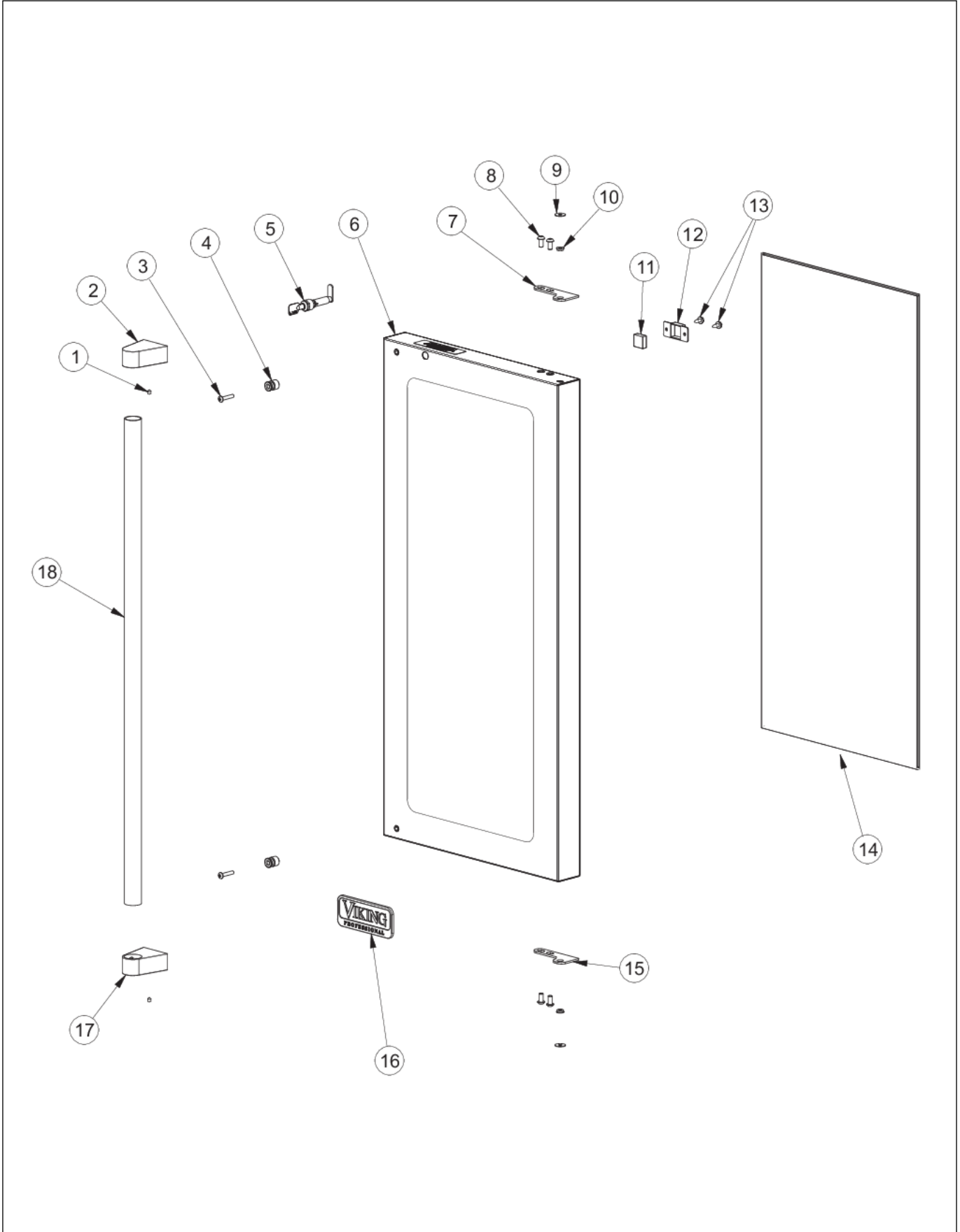


Item	Part No.	Name	Qty	Uom	NOTES
1	PW300152	FAN MOTOR ASSY (VUIM150) 42244701	2	EA	
2	PW200020	NUT, TINNERMAN	1	EA	Not available online / Call for pricing and availability
3	PW200037	FAN BLADE	1	EA	
4	PW200037	FAN BLADE	1	EA	
5	PW300152	FAN MOTOR ASSY (VUIM150) 42244701	1	EA	
6	PW300152	FAN MOTOR ASSY (VUIM150) 42244701	1	EA	
7	PW200029	SCREW	4	EA	NO LONGER AVAILABLE
8	PW300274	WASHER, INDOOR	2	EA	NO LONGER AVAILABLE
9	PW300137	Ground Wire	1	EA	Not available online / Call for pricing and availability
10	PW300143	LOCK WASHER (VUIM150) 42243619	1	EA	NO LONGER AVAILABLE
11	010035-000	PROCESSOR TUBE	1	EA	
12	PW200017	LOCK NUT .25-.20 UNC	3	EA	NO LONGER AVAILABLE, Not available online / Call for pricing and availability
13	PW240041	COMPRESSOR 15" (42242896)	1	EA	
14	PS100020	OVERLOAD (42245133) 152 WC	1	EA	
15	009507-000	RELAY COVER	1	EA	Not available online / Call for pricing and availability
16	PS100021	PTC RELAY (42245131) 152 WC	1	EA	
17	010036-000	GROMMET (COMES WITH COMPRESSOR)	4	EA	
18	PW200018	FLAT WASHER	3	EA	
19	PS100023	RUN CAPACITOR (42245134) 152 WC	1	EA	
20	010037-000	SLEEVE (COMES WITH COMPRESSOR)	3	EA	
21	010038-000	WIRE HARNESS	1	EA	



Item	Part No.	Name	Qty	Uom	NOTES
22	005835-000	POWER CORD - 42242054	1	EA	Not available online / Call for pricing and availability
23	009511-000	ELECTRONIC CONTROL BOARD AND BRACKET ASM	1	EA	
24	009513-000	STANDOFF	5	EA	
25	009514-000	CONTROL BOARD MOUNTING BRACKET	1	EA	
26	PW200017	LOCK NUT .25-.20 UNC	2	EA	NO LONGER AVAILABLE, Not available online / Call for pricing and availability
27	PW300274	WASHER, INDOOR	1	EA	NO LONGER AVAILABLE
29	010040-000	1/4-20 X 1 1/2 CARRIAGE BOLT	3	EA	
28	PW200017	LOCK NUT .25-.20 UNC	2	EA	NO LONGER AVAILABLE, Not available online / Call for pricing and availability
30	PW300152	FAN MOTOR ASSY (VUIM150) 42244701	6	EA	
31	010039-000	RIVET, 1/8" STEEL	4	EA	Not available online / Call for pricing and availability
32	PW240004	CONDENSER, R-134A	1	EA	
33	PW300159	CONDENSER ASSY	1	EA	
34	009810-000	DRYER TUBE	1	EA	
35	PW240003	DRIER ASSY VUWC140	1	EA	
36	010032-000	DISCHARGE TUBE	1	EA	
37	010033-000	BASEPLATE	1	EA	Not available online / Call for pricing and availability
38	PW300152	FAN MOTOR ASSY (VUIM150) 42244701	6	EA	
39	007640-000	PLASTIC WIRE CLIP	4	EA	Not available online / Call for pricing and availability

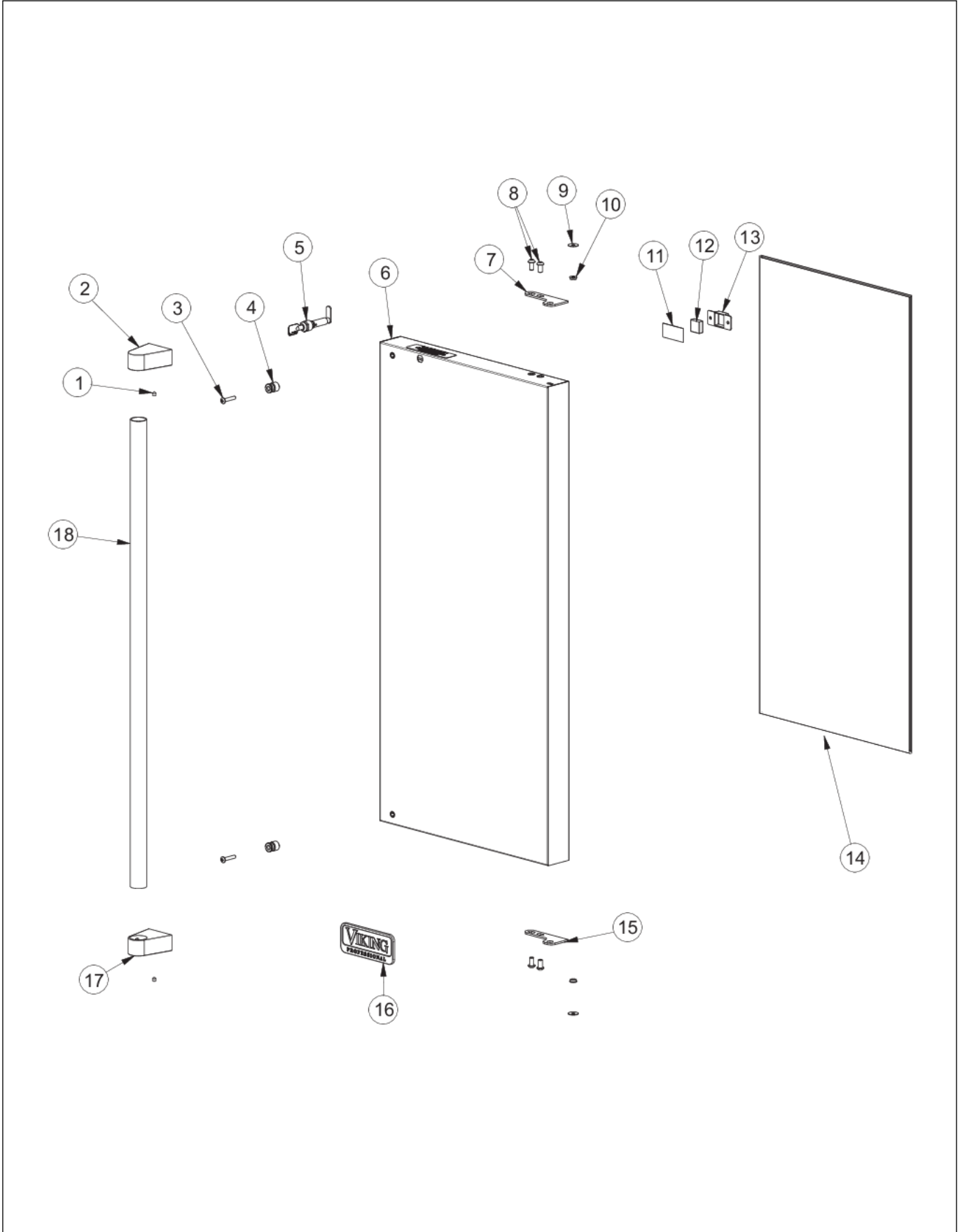
PRO GLASS





Item	Part No.	Name	Qty	Uom	NOTES
1	009644-000	SET SCREW	2	EA	
2	009669-000	END CAP W/SET SCREW	1	EA	
3	PW300163	SCREW (VUIM150) 42243357	2	EA	
4	059239-000	MARVEL# 34360-002, STANDOFF, HANDLE	2	EA	
5	010215-000	LOCK, DOOR	1	EA	
6	010750-000	DOOR ASSEMBLY - RT, CLEAR GLASS W/LOCK	1	EA	
6	010016-000	DOOR ASSEMBLY - RH CLEAR GLASS	1	EA	
6	010751-000	DOOR ASSEMBLY - LT, CLEAR GLASS W/LOCK	1	EA	
6	010017-000	DOOR ASSEMBLY - LH CLEAR GLASS	1	EA	
6	010752-000	DOOR ASSEMBLY - RT, FLUTED GLASS W/LOCK	1	EA	
6	010018-000	DOOR ASSEMBLY - RH FLUTED GLASS	1	EA	
6	010753-000	DOOR ASSEMBLY - LT, FLUTED GLASS W/LOCK	1	EA	
6	010754-000	DOOR ASSEMBLY - LH FLUTED GLASS	1	EA	
7	009760-000	HINGE ADAPTER, RIGHT TOP, SS	1	EA	
8	010212-000	SCREW, 1/4-20 SS	4	EA	
9	009761-000	WASHER, NYLON	2	EA	
10	009755-000	HINGE BUSHING	2	EA	
11	009759-000	DOOR SWITCH MAGNET	1	EA	
12	010216-000	DOOR SWITCH MAGNET RETAINER	1	EA	
13	010656-000	SCREW, #8 X 3/4 PH FLAT HEAD - BK	1	EA	
14	PW230119	DOOR GASKET (42243908)	1	EA	
15	009757-000	HINGE ADAPTER, RIGHT BOTTOM,SS	1	EA	
16	PS100055	Viking Nameplate	1	EA	
17	010211-000	END CAP BOT W/SS	1	EA	
18	009519-000	HANDLE TUBE, SS	1	EA	

PRO SOLID





Item	Part No.	Name	Qty	Uom	NOTES
1	009644-000	SET SCREW	2	EA	
2	009669-000	END CAP W/SET SCREW	1	EA	
3	PW300163	SCREW (VUIM150) 42243357	2	EA	
4	059239-000	MARVEL# 34360-002, STANDOFF, HANDLE	2	EA	
5	010215-000	LOCK, DOOR	1	EA	
6	010019-000	RH DOOR ASSEMBLY	1	EA	
6	010020-000	LH DOOR ASSEMBLY	1	EA	
6	010762-000	DOOR ASSEMBLY - RT, SOLID, BK W/LOCK	1	EA	
6	010763-000	DOOR ASSEMBLY - LT, SOLID, BK W/LOCK	1	EA	
7	009760-000	HINGE ADAPTER, RIGHT TOP, SS	1	EA	
8	010212-000	SCREW, 1/4-20 SS	4	EA	
9	009761-000	WASHER, NYLON	2	EA	
10	009755-000	HINGE BUSHING	2	EA	
11	009762-000	3M TAPE, 1.75"	1	EA	
12	009759-000	DOOR SWITCH MAGNET	1	EA	
13	010668-000	RETAINER, MAGNET	1	EA	
13	010216-000	DOOR SWITCH MAGNET RETAINER	1	EA	
14	PW230017	DOOR GASKET (VUAR/VUWC) 42242914	1	EA	
14	PW230119	DOOR GASKET (42243908)	1	EA	
15	009757-000	HINGE ADAPTER, RIGHT BOTTOM,SS	1	EA	
16	PS100055	Viking Nameplate	1	EA	
17	010211-000	END CAP BOT W/SS	1	EA	
18	009519-000	HANDLE TUBE, SS	1	EA	



Appendix A:Pages Index

CABINET AREA	1
CONTROL AREA	2
INTERIOR SHELVING	3
LOWER UNIT AREA	4
PRO GLASS	5
PRO SOLID	6



Appendix B:Parts Index

005835-000	4	010215-000	5, 6
007640-000	2, 4	010216-000	5, 6
007641-000	1	010220-000	2
009483-000	2	010226-000	3
009486-000	2	010227-000	2
009489-000	1	010228-000	3
009507-000	4	010230-000	3
009511-000	4	010232-000	3
009513-000	4	010235-000	3
009514-000	4	010236-000	1, 1
009519-000	5, 6	010245-000	1
009644-000	5, 6	010656-000	5
009669-000	5, 6	010668-000	6
009747-000	1	010695-000	1
009755-000	5, 6	010698-000	2, 3
009757-000	5, 6	010702-000	1
009759-000	5, 6	010750-000	5
009760-000	5, 6	010751-000	5
009761-000	5, 6	010752-000	5
009762-000	6	010753-000	5
009810-000	4	010754-000	5
009924-000	1, 1, 2	010762-000	6
010016-000	5	010763-000	6
010017-000	5	010769-000	3
010018-000	5	010770-000	3
010019-000	6	010771-000	3
010020-000	6	010772-000	1
010021-000	1	010773-000	3
010022-000	1	010774-000	1
010028-000	1	022346-000	3
010032-000	4	022494-000	1
010033-000	4	028470-000	1
010035-000	4	028581-000	2
010036-000	4	028582-000	2
010037-000	4	059239-000	5, 6
010038-000	4	PS100007	1
010039-000	3, 4	PS100019	1
010040-000	4	PS100020	4
010211-000	5, 6	PS100021	4
010212-000	5, 6	PS100023	4
		PS100055	5, 6



PW200007	1
PW200017	4, 4, 4
PW200018	4
PW200019	1
PW200020	4
PW200029	4
PW200037	4, 4
PW230017	6
PW230119	5, 6
PW240003	4
PW240004	4
PW240041	4
PW240045	1
PW300137	4
PW300143	4
PW300152	4, 4, 4, 4, 4
PW300159	4
PW300163	5, 6
PW300274	4, 4