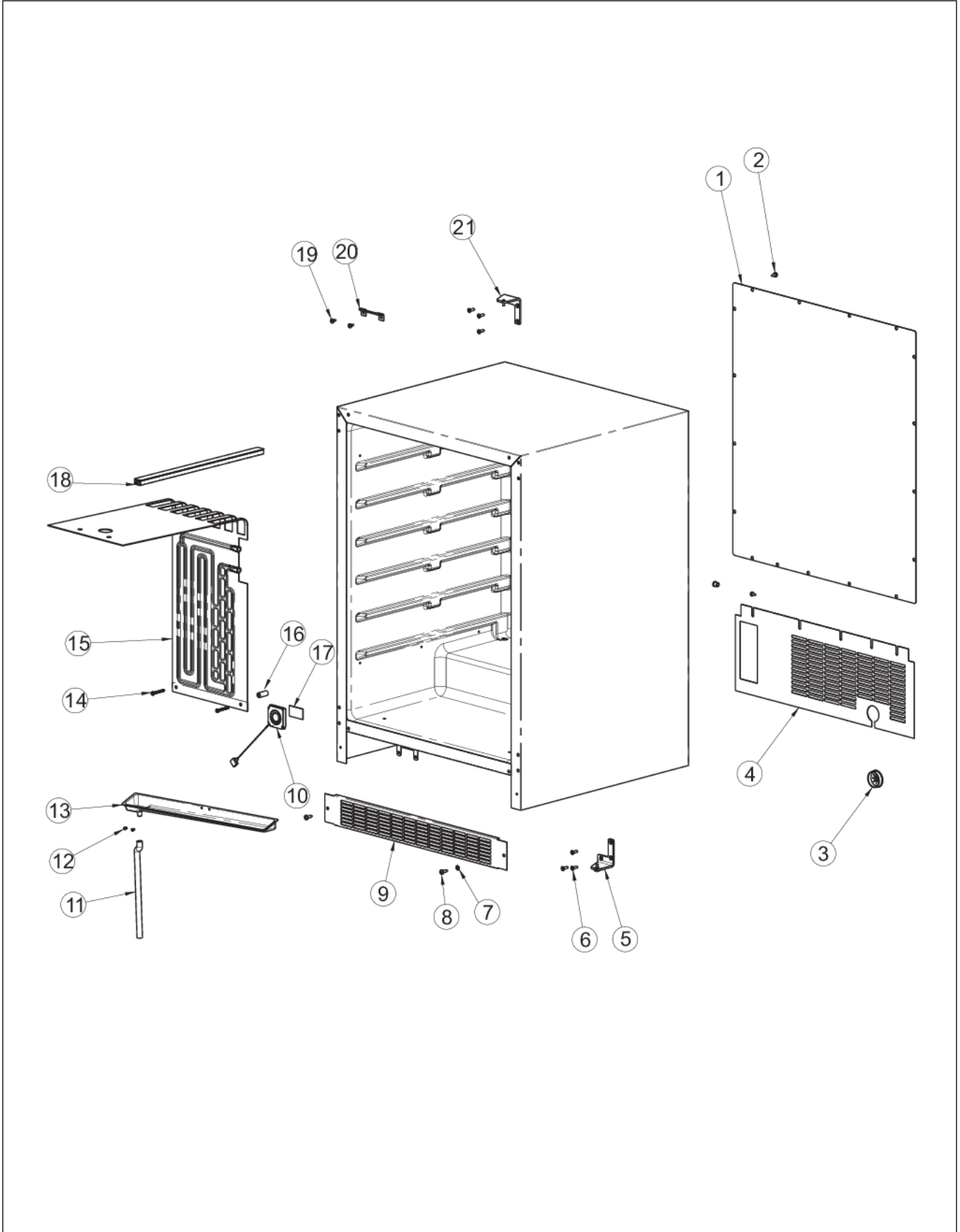


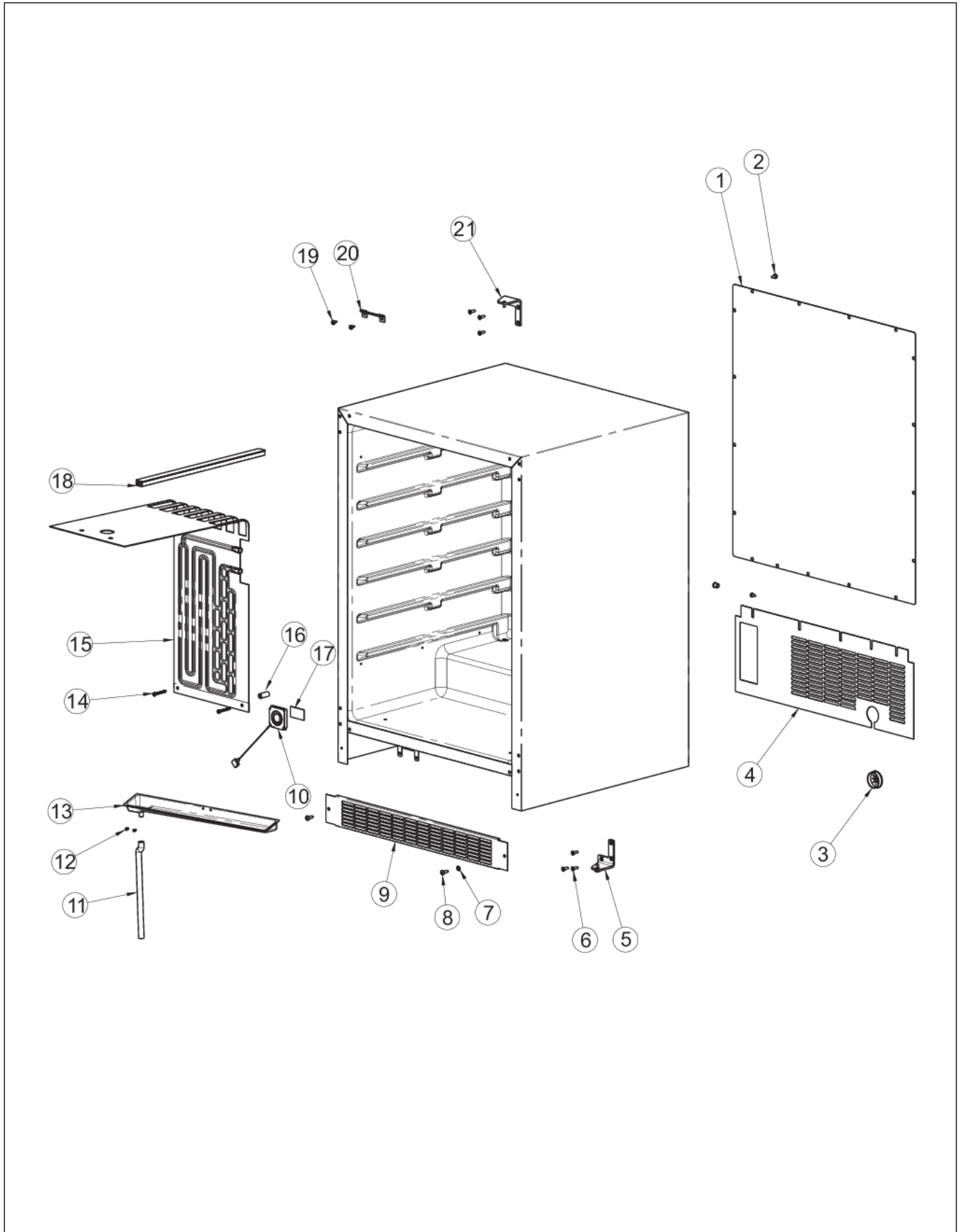
VUWC144T

CABINET AREA	1
CONTROL AREA	2
LOWER UNIT AREA	3
PRO SOLID	4
UNIT INTERIOR	5
Appendix A:Pages Index	A
Appendix B:Parts Index	B

CABINET AREA



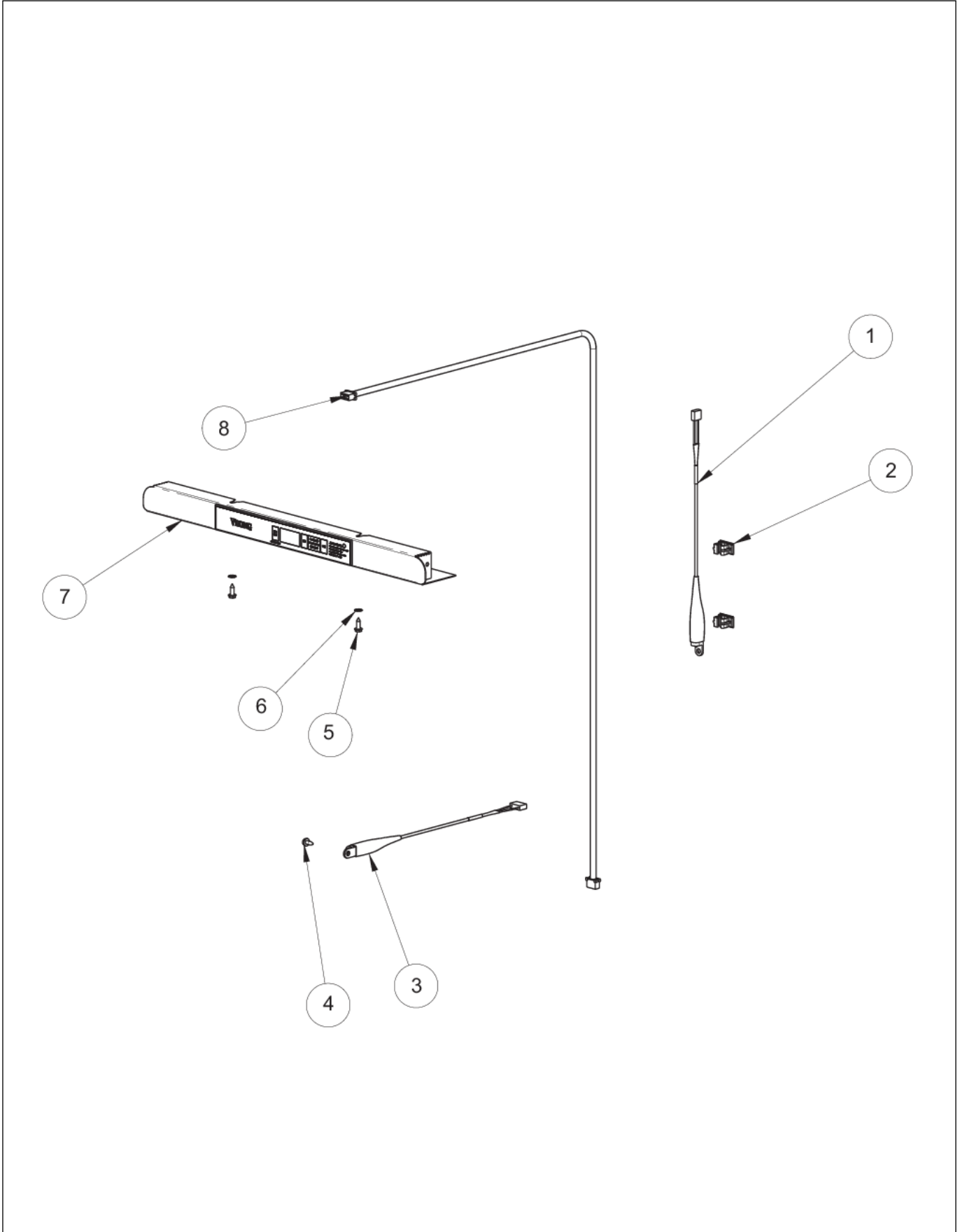
Item	Part No.	Name	Qty	Uom	NOTES
1	009926-000	BACK PANEL SERV ASM	1	EA	Not available online / Call for pricing and availability
2	009924-000	WASHER HD SCREW - ZN	17	EA	
3	009487-000	BUSHING	1	EA	
4	010073-000	SUBS TO 009488-000 - BACK SHROUD - GS	1	EA	
5	010702-000	STANDARD HINGE, RIGHT BOTTOM, CHROME	1	EA	
6	010236-000	10-32 X 3/4ø PHILLIPS COUNTERSUNK SCREW, ZN	6	EA	Not available online / Call for pricing and availability
7	010069-000	LOCK WASHER	2	EA	
8	009489-000	#12 X 3/4 TYPE AB PHILLIPS SCREW, BLACK	2	EA	
9	PS100115	LOUVERED GRILLE SERV ASM - BK	1	EA	
9	010070-000	LOUVERED GRILLE, SS	1	EA	
10	009747-000	EVAPORATOR FAN	1	EA	
11	PW240045	SERV. ASSY BLACK DRAIN TUBE 42244609	1	EA	
12	PW200019	POP RIVET	2	EA	Not available online / Call for pricing and availability
13	PS100083	DRIP TRAY, BLACK 142 WC 42244429	1	EA	
14	PW200007	SCREW, EVAPOR. (VUWC140)* 08204902	2	EA	NO LONGER AVAILABLE
15	PW240046	141 SERIES BLACK EVAP ASSY (42244920)	1	EA	
16	010028-000	1" SPACER - BK	2	EA	
17	010245-000	DOUBLEE SIDED TAPE, 1.75"	1	EA	
18	009894-000	WIRE CONDUIT	1	EA	
19	010698-000	SCREW, #10 X .5 ZN	2	EA	Not available online / Call for pricing and availability
20	PW220015	LOCK CATCH BRACKET (BLACK)	1	EA	
21	010695-000	STANDARD HINGE, RIGHT TOP, CHROME	1	EA	





Item	Part No.	Name	Qty	Uom	NOTES
NI	PW240044	VUAR/DUAR141 AURA LIGHT	2	EA	
NI	010031-000	LEVELING LEG	4	EA	

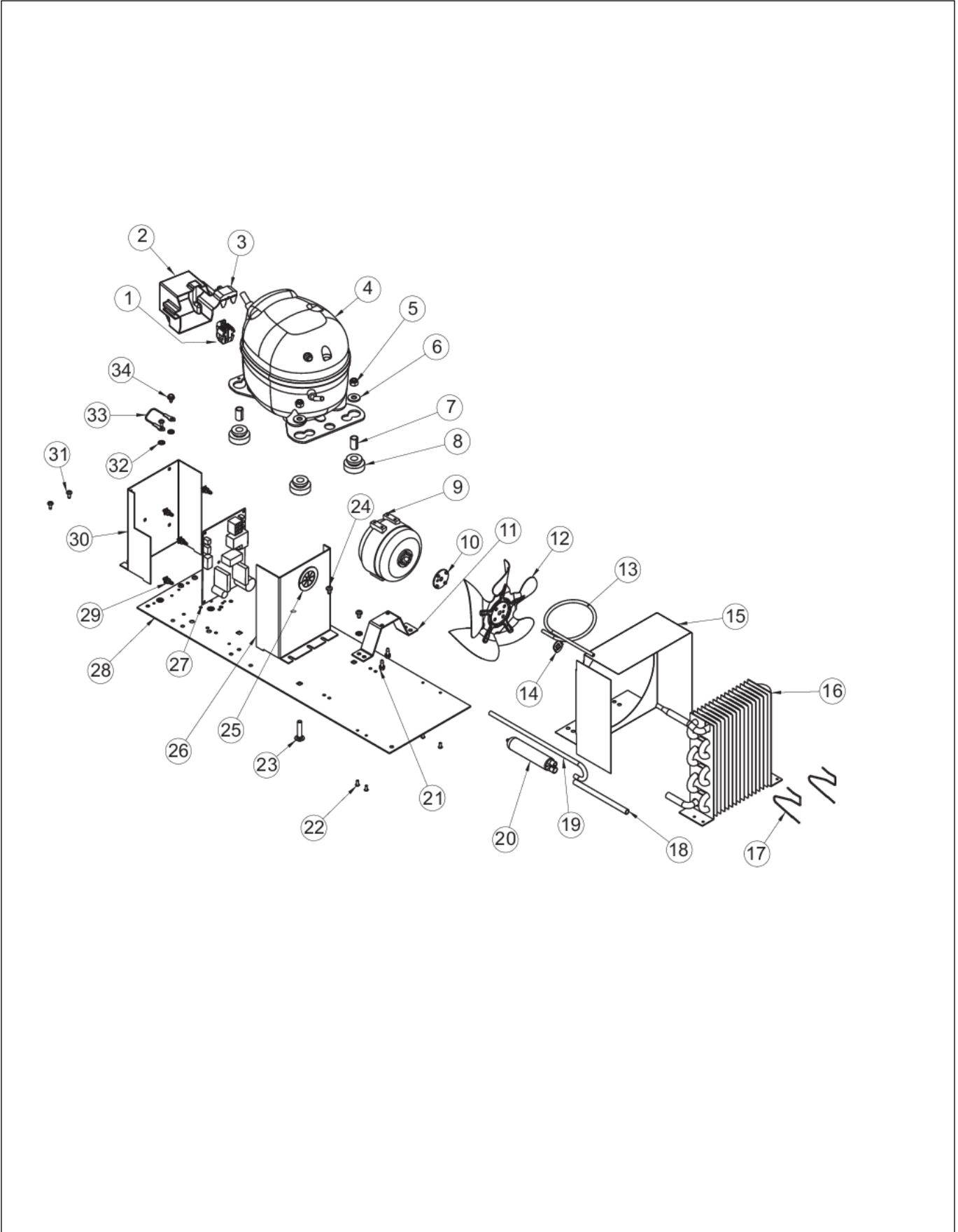
CONTROL AREA





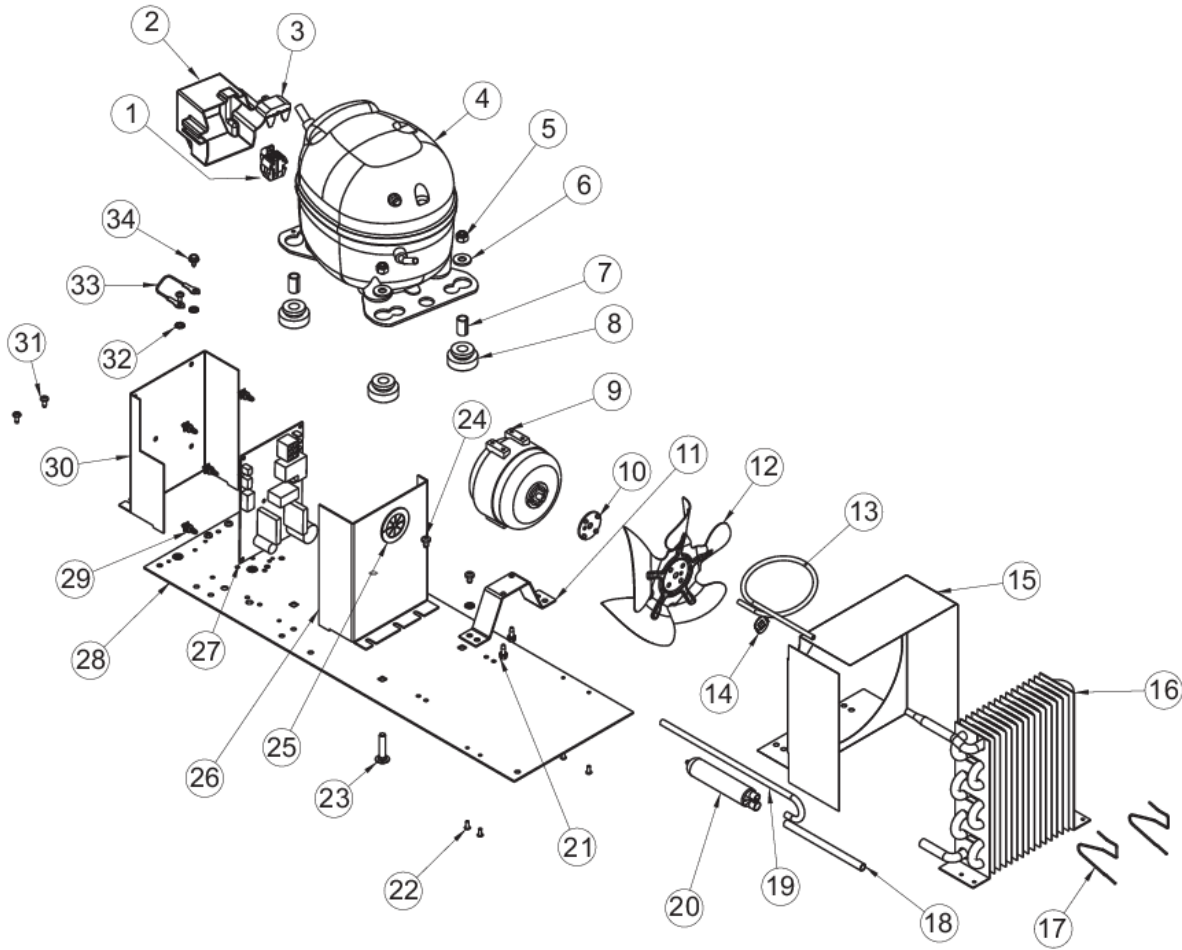
Item	Part No.	Name	Qty	Uom	NOTES
1	009483-000	EVAPORATOR TEMPERATURE THERMISTOR	1	EA	
2	007640-000	PLASTIC WIRE CLIP	2	EA	Not available online / Call for pricing and availability
3	009484-000	DISPLAY TEMPERATURE THERMISTOR	1	EA	
4	010057-000	SCREW, #6-20 X .75 SS	1	EA	
5	009485-000	MACHINE SCREW - SS	2	EA	
6	009486-000	#10 EXTERNAL TOOTH STAR WASHER, SS	2	EA	Not available online / Call for pricing and availability
7	028596-000	DISPLAY ASM BK, 24" WC SOLID DR. T	1	EA	
8	009482-000	COMMUNICATION CABLE	1	EA	

LOWER UNIT AREA



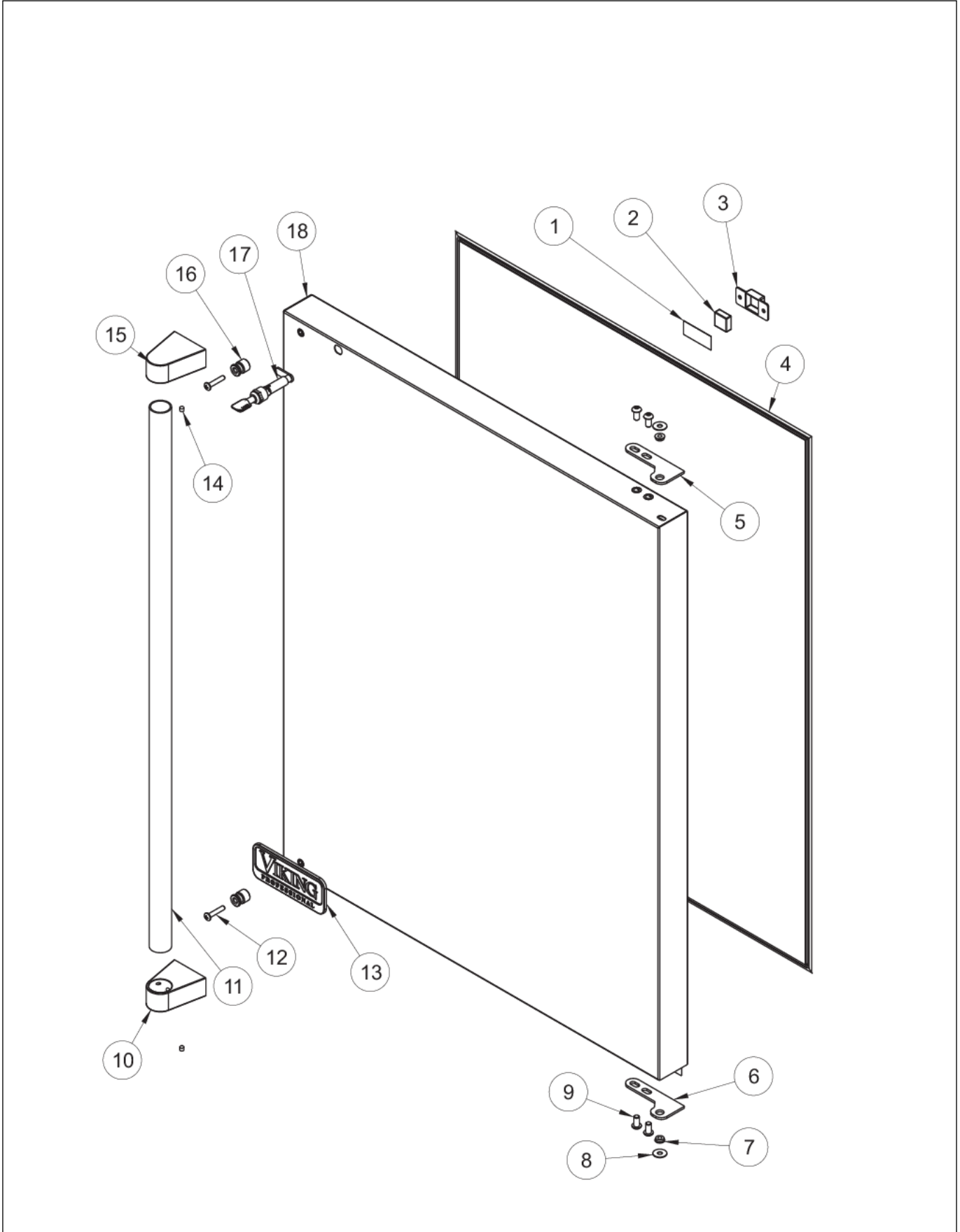


Item	Part No.	Name	Qty	Uom	NOTES
1	PS100021	PTC RELAY (42245131) 152 WC	1	EA	
2	009507-000	RELAY COVER	1	EA	Not available online / Call for pricing and availability
3	PS100020	OVERLOAD (42245133) 152 WC	1	EA	
4	008167-000	TRIM SCREWS SS (PACKAGE OF 6)	1	EA	Not available online / Call for pricing and availability
5	PW200017	LOCK NUT .25-.20 UNC	3	EA	NO LONGER AVAILABLE, Not available online / Call for pricing and availability
6	PW200018	FLAT WASHER	3	EA	
7	010209-000	SLEEVE (INCLUDED WITH COMPRESSOR)	4	EA	Not available online / Call for pricing and availability
8	010208-000	SLEEVE (INCLUDED WITH COMPRESSOR)	4	EA	Not available online / Call for pricing and availability
9	PW240005	FAN/MTR ASSY COMPLETE VUWC	1	EA	
10	009831-000	FAN SILENCER	1	EA	
11	PW240005	FAN/MTR ASSY COMPLETE VUWC	1	EA	
12	PW200037	FAN BLADE	1	EA	
13	007638-000	COPPER TUBING	1	EA	Not available online / Call for pricing and availability
14	PW200020	NUT, TINNERMAN	1	EA	Not available online / Call for pricing and availability
15	005867-000	METAL FAN SHROUD	1	EA	
16	PW300159	CONDENSER ASSY	1	EA	
17	009812-000	SHROUD CLIP	2	EA	
18	009810-000	DRYER TUBE	1	EA	
19	009808-000	COPPER TUBE (42247551)	1	EA	
20	PW240003	DRIER ASSY VUWC140	1	EA	
21	PW200028	HEX HEAD SCREW	2	EA	





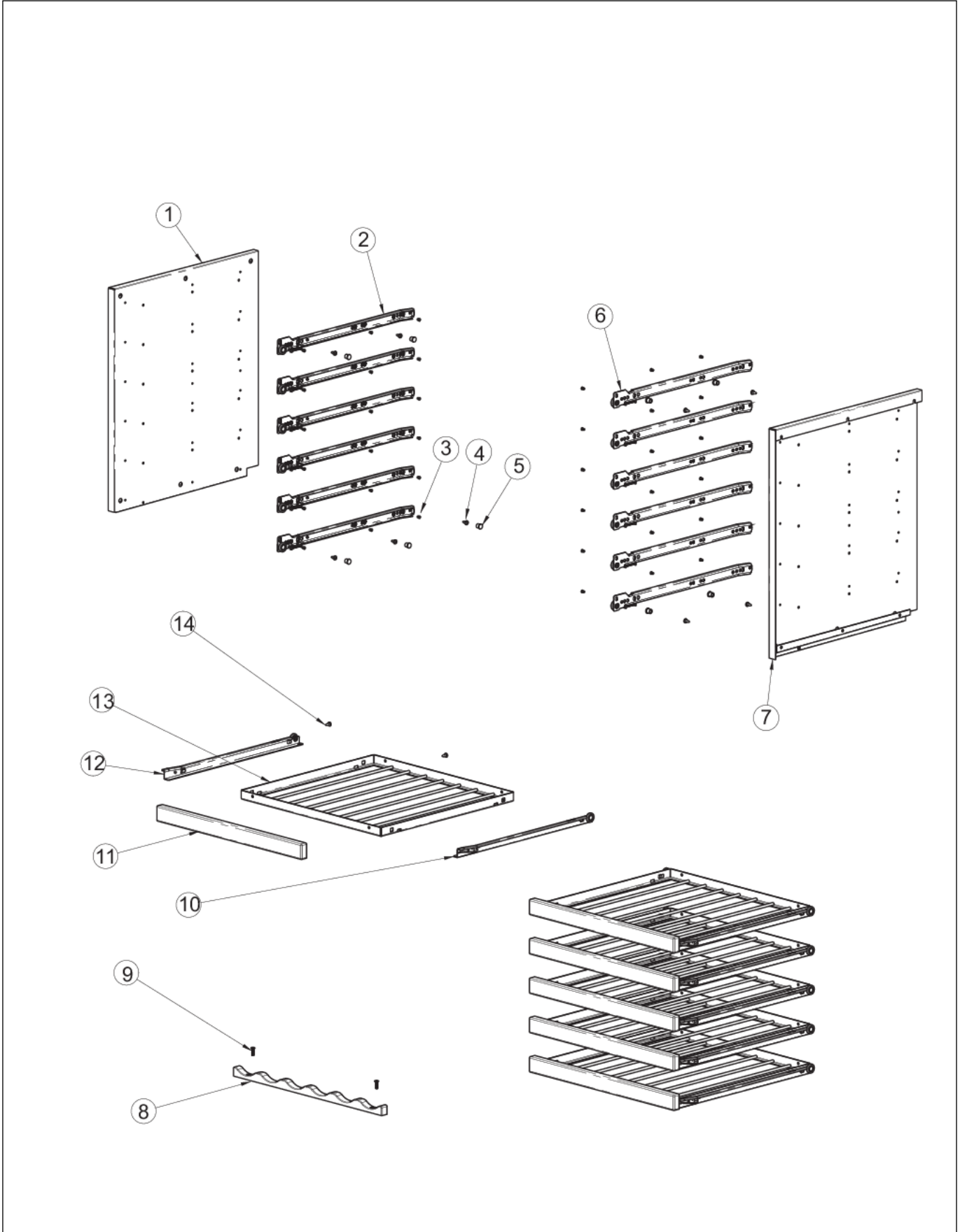
Item	Part No.	Name	Qty	Uom	NOTES
22	PW200019	POP RIVET	4	EA	Not available online / Call for pricing and availability
23	PW200023	CARRIAGE BOLT	3	EA	NO LONGER AVAILABLE
24	009509-000	#8-36 SCREW	2	EA	Not available online / Call for pricing and availability
25	009487-000	BUSHING	1	EA	
26	009805-000	OUTDOOR COVER BRKT	1	EA	
27	009511-000	ELECTRONIC CONTROL BOARD AND BRACKET ASM	1	EA	
28	PW210011	BASEPLATE (VUWC140)	1	EA	
29	009513-000	STANDOFF	5	EA	
30	009514-000	CONTROL BOARD MOUNTING BRACKET	1	EA	
31	PW200029	SCREW	4	EA	NO LONGER AVAILABLE
32	PW300274	WASHER, INDOOR	2	EA	NO LONGER AVAILABLE
33	PW300137	Ground Wire	1	EA	Not available online / Call for pricing and availability
34	009515-000	#10-32 x 1/2 HEX WASHER HEAD SCREW	1	EA	
NI	PW200021	SCREW	4	EA	
NI	PS100023	RUN CAPACITOR (42245134) 152 WC	1	EA	
NI	PS100134	POWER CORD REF. DRAWER	1	EA	
NI	010072-000	POWER CORD CLAMP	1	EA	





Item	Part No.	Name	Qty	Uom	NOTES
1	009762-000	3M TAPE, 1.75"	1	EA	
2	009759-000	DOOR SWITCH MAGNET	1	EA	
3	010216-000	DOOR SWITCH MAGNET RETAINER	1	EA	
4	PW230124	MAGNETIC GASKET, BLACK	1	EA	
5	009760-000	HINGE ADAPTER, RIGHT TOP, SS	1	EA	
6	009757-000	HINGE ADAPTER, RIGHT BOTTOM,SS	1	EA	
7	009755-000	HINGE BUSHING	2	EA	
8	009761-000	WASHER, NYLON	2	EA	
9	010212-000	SCREW, 1/4-20 SS	4	EA	
10	010211-000	END CAP BOT W/SS	1	EA	
11	009519-000	HANDLE TUBE, SS	1	EA	
12	009643-000	SCREW	2	EA	
13	PS100055	Viking Nameplate	1	EA	
14	009644-000	SET SCREW	2	EA	
15	009669-000	END CAP W/SET SCREW	1	EA	
16	059239-000	MARVEL# 34360-002, STANDOFF, HANDLE	2	EA	
17	010215-000	LOCK, DOOR	1	EA	
18	010692-000	DOOR ASSEMBLY - RT W/LOCK	1	EA	
Not Shown	010693-000	DOOR ASSEMBLY - LT W/LOCK	1	EA	

UNIT INTERIOR





Item	Part No.	Name	Qty	Uom	NOTES
1	010229-000	LINER SHIELD, LH - BL	1	EA	
2	010226-000	CABINET SIDE, LH - BK	6	EA	
3	010039-000	RIVET, 1/8" STEEL	36	EA	Not available online / Call for pricing and availability
4	009848-000	WALL CORNER PAD	12	EA	
5	010228-000	BUSHING 2620	4	EA	Not available online / Call for pricing and availability
6	022346-000	BAYONET MOUNT CABINET SLIDE, BLACK	1	EA	
7	010241-000	LINER SHIELD, RH - BL	1	EA	
8	PW210046	141 SERIES LOWER BOTTLE CRADLE	1	EA	
9	010236-000	10-32 X 3/4ø PHILLIPS COUNTERSUNK SCREW, ZN	2	EA	Not available online / Call for pricing and availability
10	010235-000	SHELF SLIDED, RH - BK	6	EA	
11	010233-000	FRONT NATURAL WOOD	1	EA	
12	010232-000	SHELF SLIDE, LH - BK	6	EA	
13	010231-000	RACK - BL	6	EA	
14	010230-000	SCREW, #8 X 1/2 PH PAN HEAD	12	EA	Not available online / Call for pricing and availability



Appendix A:Pages Index

CABINET AREA	1
CONTROL AREA	2
LOWER UNIT AREA	3
PRO SOLID	4
UNIT INTERIOR	5



Appendix B:Parts Index

005867-000	3	010057-000	2
007638-000	3	010069-000	1
007640-000	2	010070-000	1
008167-000	3	010072-000	3
009482-000	2	010073-000	1
009483-000	2	010208-000	3
009484-000	2	010209-000	3
009485-000	2	010211-000	4
009486-000	2	010212-000	4
009487-000	1, 3	010215-000	4
009489-000	1	010216-000	4
009507-000	3	010226-000	5
009509-000	3	010228-000	5
009511-000	3	010229-000	5
009513-000	3	010230-000	5
009514-000	3	010231-000	5
009515-000	3	010232-000	5
009519-000	4	010233-000	5
009643-000	4	010235-000	5
009644-000	4	010236-000	1, 5
009669-000	4	010241-000	5
009747-000	1	010245-000	1
009755-000	4	010692-000	4
009757-000	4	010693-000	4
009759-000	4	010695-000	1
009760-000	4	010698-000	1
009761-000	4	010702-000	1
009762-000	4	022346-000	5
009805-000	3	028596-000	2
009808-000	3	059239-000	4
009810-000	3	PS100020	3
009812-000	3	PS100021	3
009831-000	3	PS100023	3
009848-000	5	PS100055	4
009894-000	1	PS100083	1
009924-000	1	PS100115	1
009926-000	1	PS100134	3
010028-000	1	PW200007	1
010031-000	1	PW200017	3
010039-000	5	PW200018	3
		PW200019	1, 3



PW200020	3
PW200021	3
PW200023	3
PW200028	3
PW200029	3
PW200037	3
PW210011	3
PW210046	5
PW220015	1
PW230124	4
PW240003	3
PW240005	3, 3
PW240044	1
PW240045	1
PW240046	1
PW300137	3
PW300159	3
PW300274	3