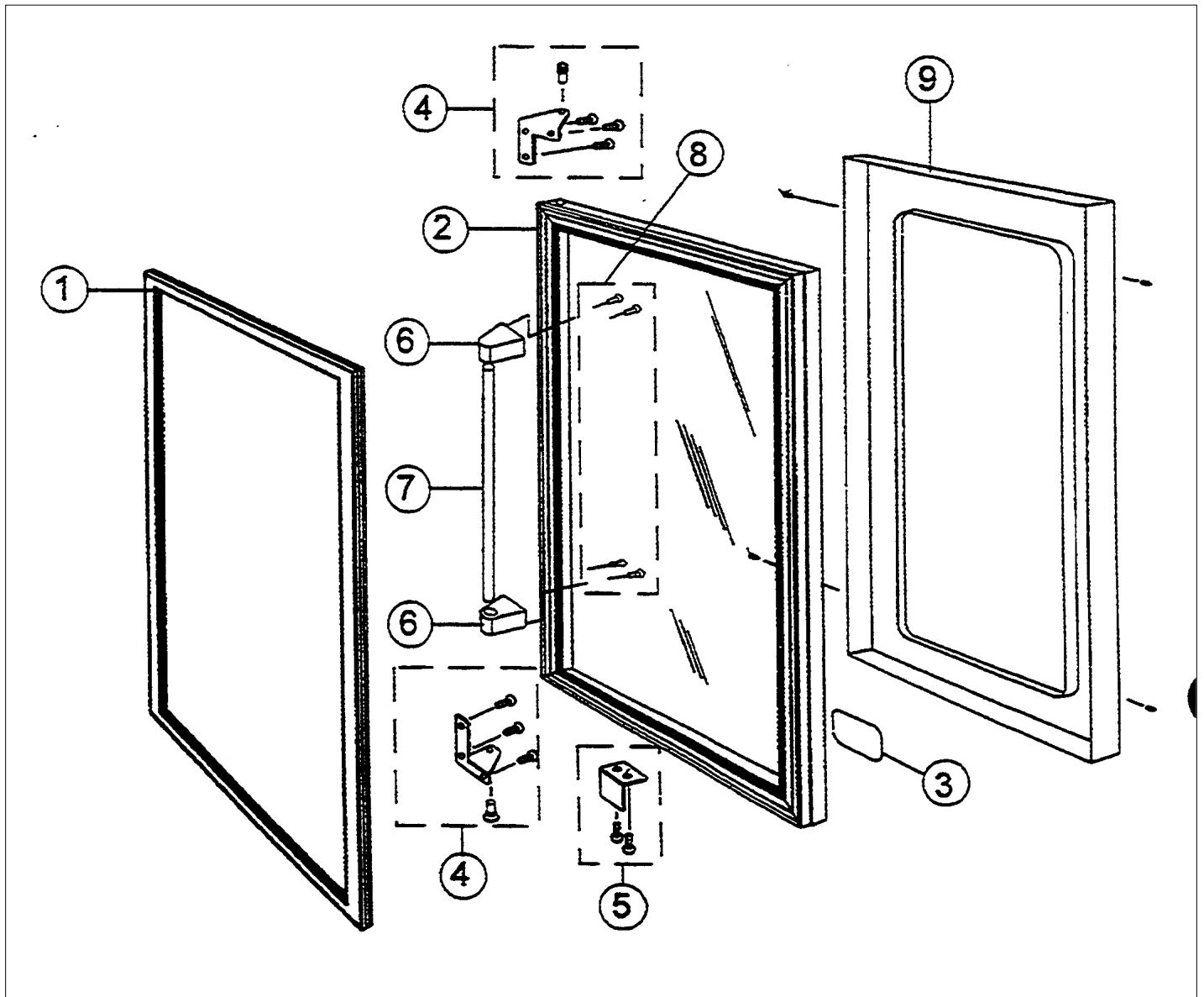


VUWC140

CLEAR GLASS DOOR ASSY	1
FLUTED GLASS DOOR ASSY	2
RACK ASSY	3
REAR PANEL ASSY	4
Appendix A:Pages Index	A
Appendix B:Parts Index	B

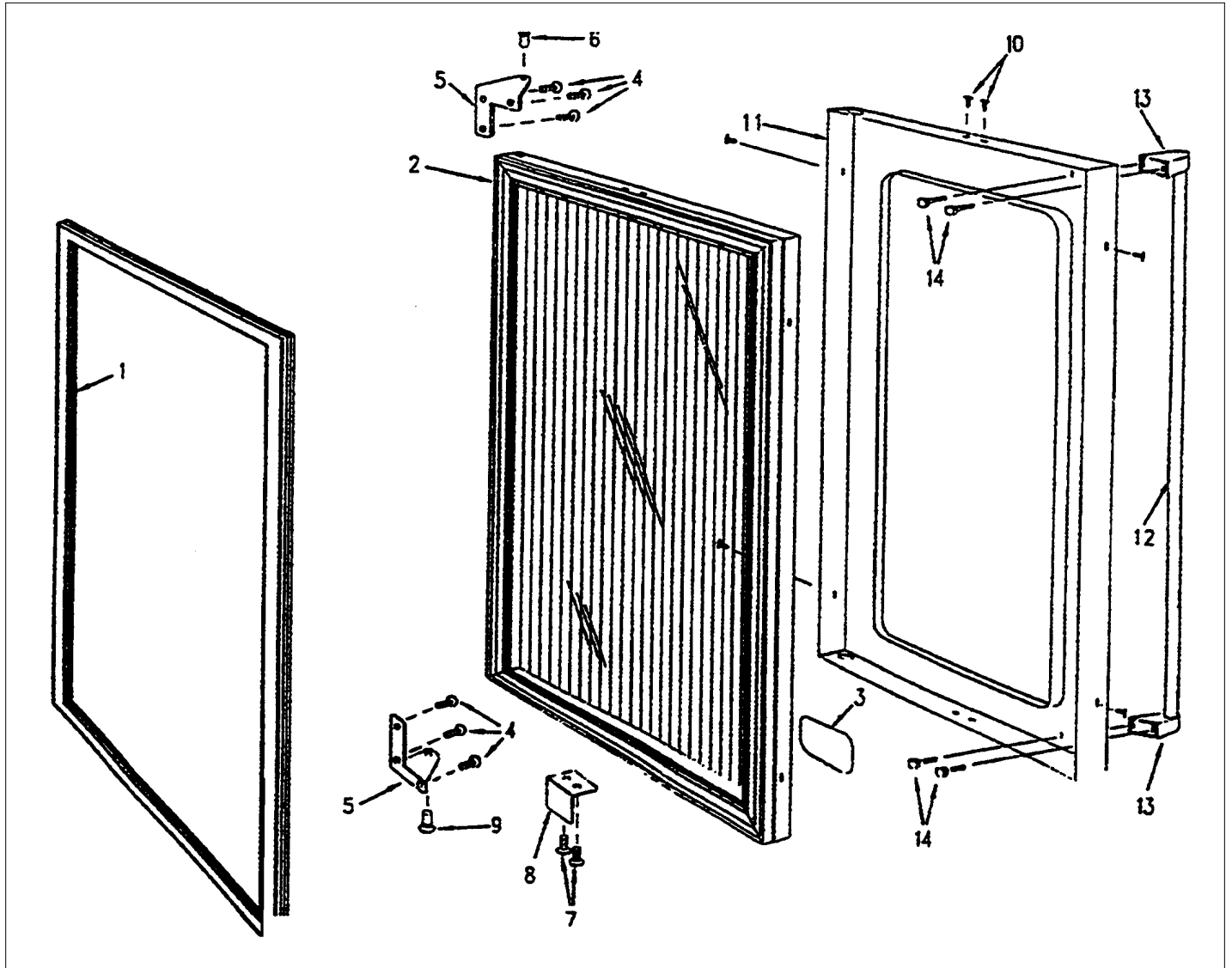
CLEAR GLASS DOOR ASSY





Item	Part No.	Name	Qty	Uom	NOTES
1	PW230005	GASKET, DOOR (VUWC140) * 42241280	1	EA	
2	PW230006	DOOR, COMPLETE ASSY(VUWC140)42242661	1	EA	
3	PE010058	4 1/2"LOGO/VIKING "PROF" *BK* (ADV	1	EA	
Not Shown	PE010093	LOGO-4 1/2 (VIKING-*BK**BR* ADHESIV	1	EA	
4	PW220004	HINGE KIT (VUWC140) * 42240881	1	EA	
5	PW230003	EVAPORATOR TRIM (VUWC140) 42241384	1	EA	
6	000268-000	HANDLE ENDCAP	1	EA	
Not Shown	PE030001PVD	END CAP DOOR HANDLE *BR	1	EA	
7	PE930103	DR HDLE VUWC150DR/VUAR SS CUT 29.5"	1	EA	
Not Shown	F0002588BR	DOOR HANDLE VUWC140 (BRASS) 29.5	1	EA	NO LONGER AVAILABLE
8	PD010019	BLT-1/4-20X3/8"HEX WASHER SERATED	1	EA	
9	PW230008	DOOR FRAME,SS (VUWC140) * 42242663	1	EA	NO LONGER AVAILABLE

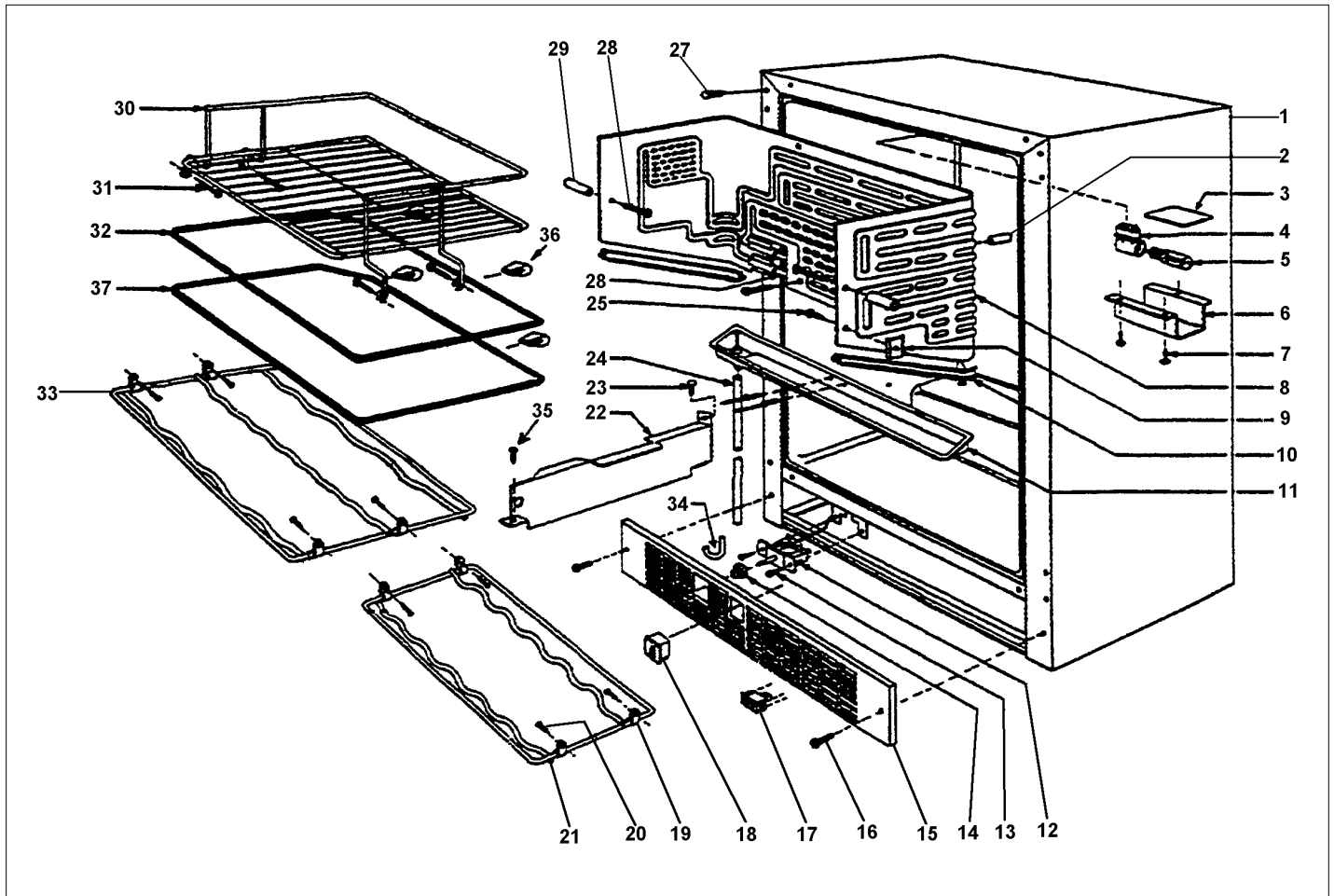
FLUTED GLASS DOOR ASSY





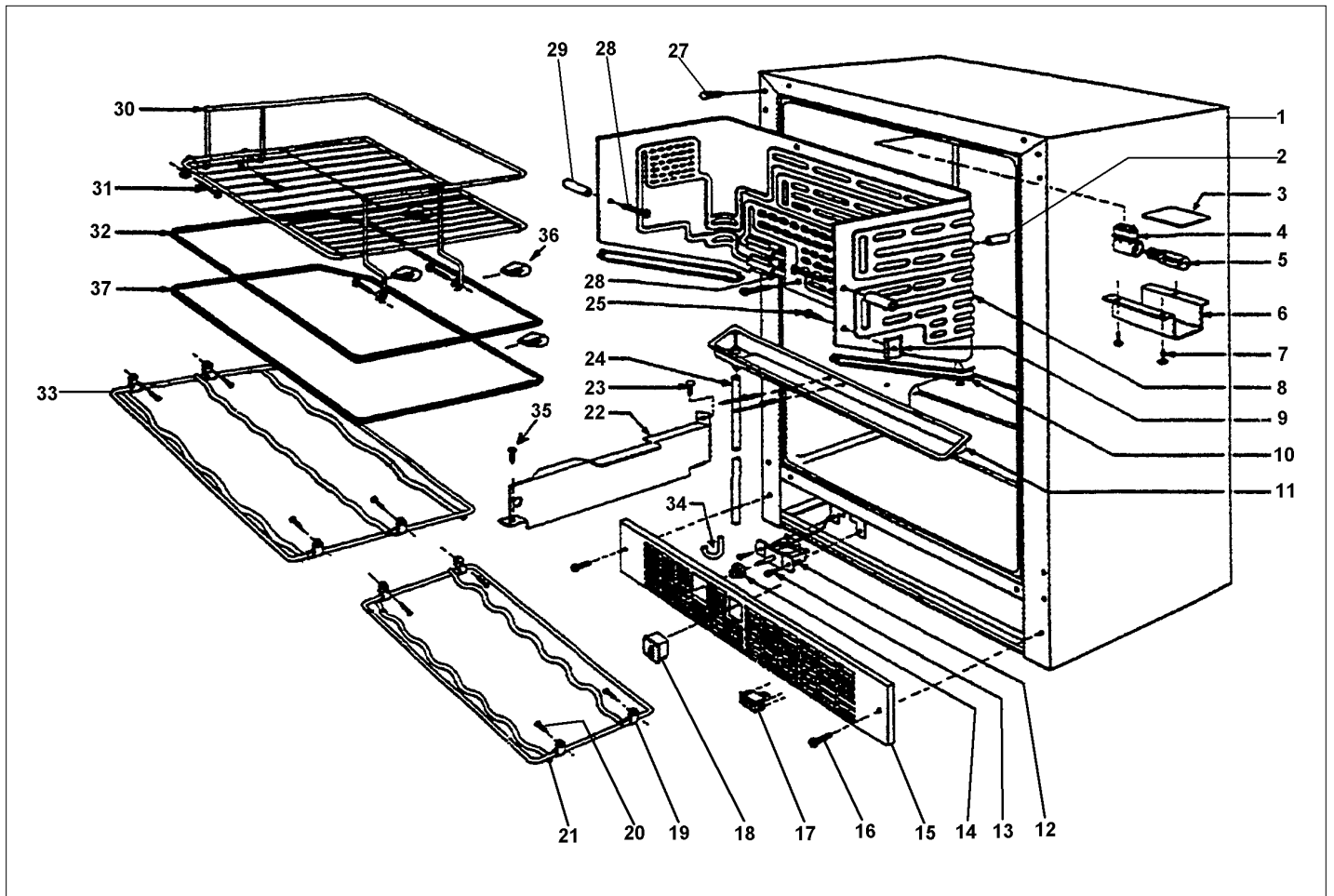
Item	Part No.	Name	Qty	Uom	NOTES
1	PW230005	GASKET, DOOR (VUWC140) * 42241280	1	EA	
2	PW230010SS	COMPLETE DOOR ASSEMBLY 42243023	1	EA	NO LONGER AVAILABLE, Not available online / Call for pricing and availability
Not Shown	PW230010BR	COMPLETE DOOR ASSEMBLY	1	EA	Not available online / Call for pricing and availability
3	PE010058	4 1/2"LOGO/VIKING "PROF" *BK* (ADV	1	EA	
Not Shown	PE010093	LOGO-4 1/2 (VIKING-*BK**BR* ADHESIV	1	EA	
4	PW200031	SCREW HINGE MTG 42242605	1	EA	
5	PW220004	HINGE KIT (VUWC140) * 42240881	1	EA	
6	PW200032	HINGE PIN 42242281	1	EA	
7	PW200033	SCREW	1	EA	Not available online / Call for pricing and availability
8	PW220003	STRIKER PLATE (VUWC140)*42242483	1	EA	
9	PW300244	HINGE PIN, BOTTOM (42245708)	1	EA	
10	PW200035	FRAME MOUNT SCREWS(42243186 PKG 8)	1	EA	
11	PW230008	DOOR FRAME,SS (VUWC140) * 42242663	1	EA	NO LONGER AVAILABLE
12	PE930103	DR HDLE VUWC150DR/VUAR SS CUT 29.5"	1	EA	
Not Shown	F0002588BR	DOOR HANDLE VUWC140 (BRASS) 29.5	1	EA	NO LONGER AVAILABLE
13	000268-000	HANDLE ENDCAP	1	EA	
Not Shown	PE030001PVD	END CAP DOOR HANDLE *BR	1	EA	
14	PD010019	BLT-1/4-20X3/8"HEX WASHER SERATED	1	EA	

RACK ASSY





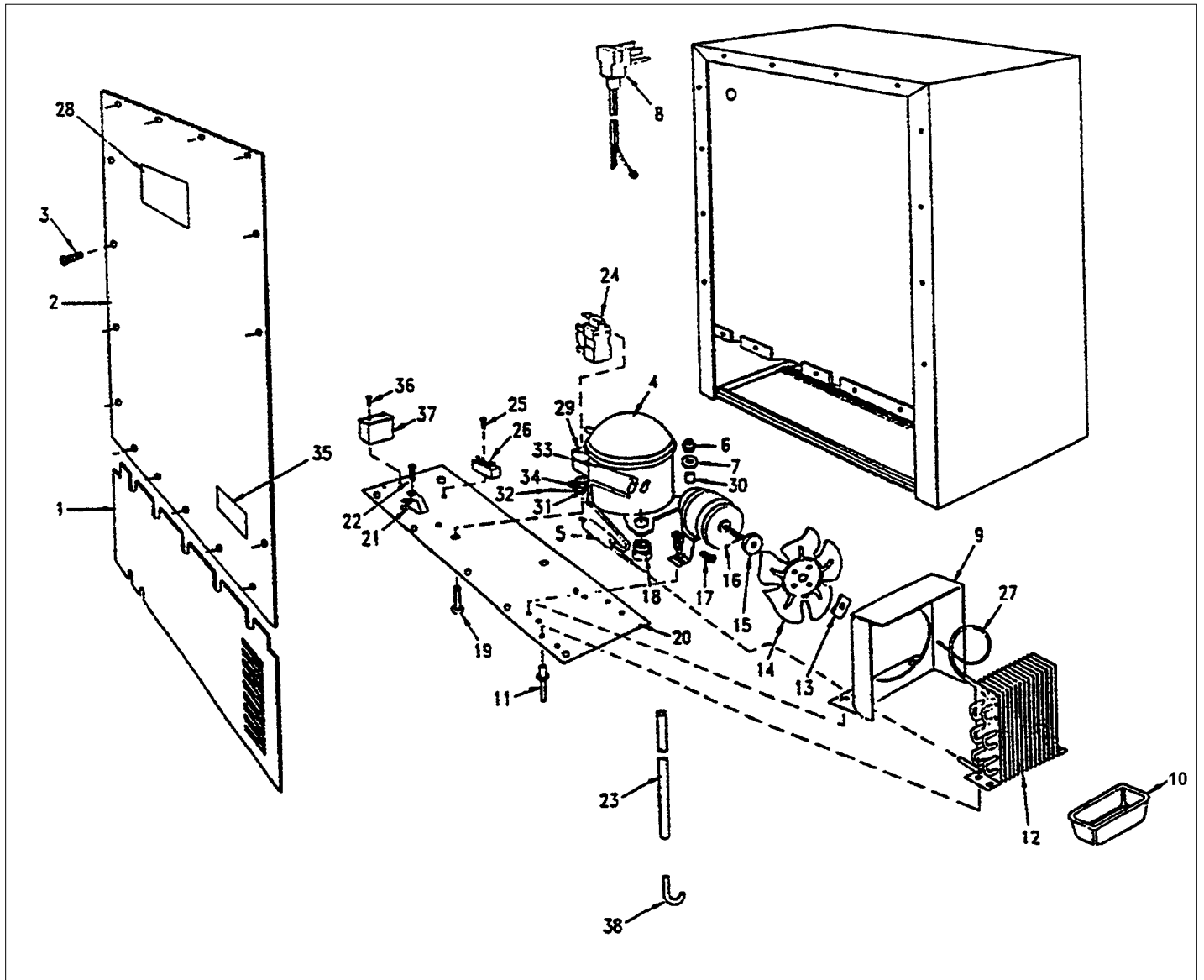
Item	Part No.	Name	Qty	Uom	NOTES
1	PW210019	CABINET	1	EA	Not available online / Call for pricing and availability
2	PW200009	EVAPORATOR SPACER	1	EA	Not available online / Call for pricing and availability
3	PW220001	LIGHT SHIELD (VUWC140)*42242070	1	EA	
4	PW240013	LAMP SOCKET (VUWC140) * 2240003A	1	EA	
5	PW240014	LIGHT BULB 15 WATT VUWC 2240004A	1	EA	
6	PW220002	LENS COVER,INTER. LGT(VUWC)42242035	1	EA	
7	PW200010	SCREW, LENS COVER (QTY OF 2)	1	EA	
8	PW200001	EVAPORATOR ASSEMBLY 42241493	1	EA	
9	PW200001	EVAPORATOR ASSEMBLY 42241493	1	EA	
10	PW230003	EVAPORATOR TRIM (VUWC140) 42241384	1	EA	
11	PW210012	DRIP TRAY & 2 POP RVT(VUWC)42242603	1	EA	
12	PW240028	THERMOSTAT VUAR140 42244092	1	EA	
NI	016837-000	THERMOSTAT MOUNTING BRACKET	1	EA	
13	PW240015	SUB TO PW240028	1	EA	
14	PW230004	THERMOSTAT KNOB (VUWC140)*42241950	1	EA	
15	PW210003	GRILLE, (VUWC140) * 42242485	1	EA	
16	PW200003	SCREW 42242847 (PKG 20)	1	EA	
17	PW240017	LIGHT SWITCH PLUNGER VUWC 42241373	1	EA	
18	PW230012	LIGHT SWITCH, PLUNGER *BK* 42242915	1	EA	
19	PW200011	P CLAMP & SCREWS (PKG 20) 42242071	1	EA	
20	PW200004	SCREW LENS COVER 42243354	1	EA	





Item	Part No.	Name	Qty	Uom	NOTES
21	PW210004	BTM WINE RACK W/ P CLAMPS 42242072	1	EA	
22	PW210005	FRONT SHIELD(VUWC140)* 41003674	1	EA	NO LONGER AVAILABLE
23	PW200005	DART CLIP, FRONT SHROUD	1	EA	Not available online / Call for pricing and availability
24	PW240021	DRAIN TUBE (42242079)	1	EA	
25	PW200006	SCREW	1	EA	NO LONGER AVAILABLE
26	PW200012	CAPS, EVAPOR. PORTS(VUWC)*42242606	1	EA	NO LONGER AVAILABLE, Not available online / Call for pricing and availability
27	PW200013	SUB TO PW200018 - HOLE PLUG WHITE	1	EA	NO LONGER AVAILABLE, Not available online / Call for pricing and availability
28	PW200007	SCREW, EVAPOR. (VUWC140)* 08204902	1	EA	NO LONGER AVAILABLE
29	PW200014	3/4" WHITE SPACER (41002929)	1	EA	NO LONGER AVAILABLE
30	PW210017	WIRE SHELF TOP (42242958)	1	EA	
31	PW200015	SCREWS 08205079	1	EA	
32	PW210022	LARGE GLASS SHELF & TRIM 42243083	1	EA	
33	PW210008	MID WINE RACK W/ P CLAMPS 42241943	1	EA	
34	PW220007	J TRAP	1	EA	Not available online / Call for pricing and availability
35	PW200008	SCREW, FRONT SHROUD	1	EA	Not available online / Call for pricing and availability
36	PW220005	SUBS TO 009500-000 - SPACER, GLASS SHELF 42242960(PKG2)	1	EA	
37	PW210022	LARGE GLASS SHELF & TRIM 42243083	1	EA	

REAR PANEL ASSY

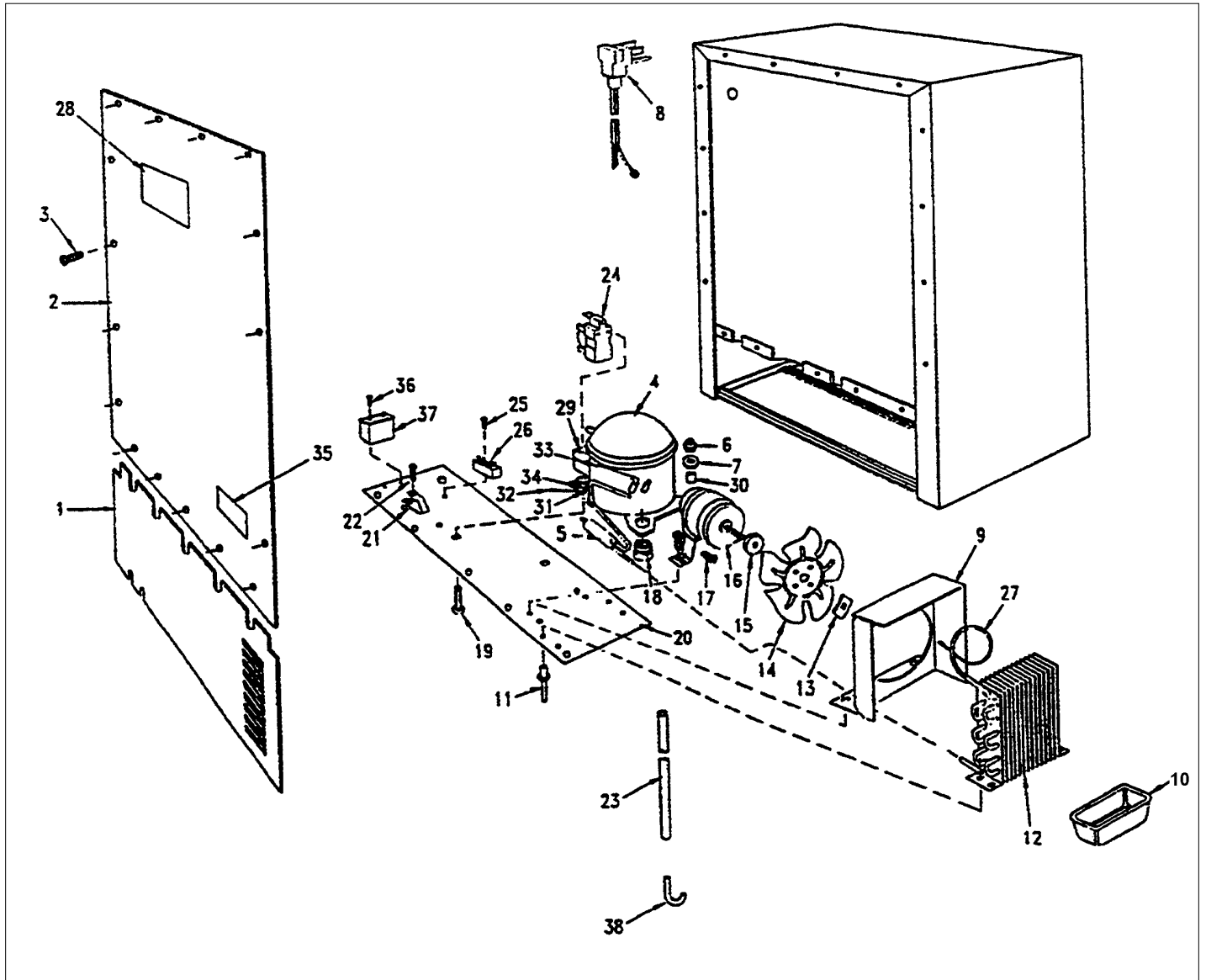




Item	Part No.	Name	Qty	Uom	NOTES
1	PW210009	BACK SHROUD (VUWC140) 42242081	1	EA	NO LONGER AVAILABLE
2	PW210010	CABINET BACK (VUWC140) * 42241648	1	EA	NO LONGER AVAILABLE
3	PW200016	SCREW, CABINET BACK	1	EA	Not available online / Call for pricing and availability
4	PW200040	COMPRESSOR ASSEMBLY 42242580	1	EA	
5	PW240003	DRIER ASSY VUWC140	1	EA	
6	PW200017	LOCK NUT .25-.20 UNC	1	EA	NO LONGER AVAILABLE, Not available online / Call for pricing and availability
7	PW200018	FLAT WASHER	1	EA	
8	PW240002	POWER CORD (VUWC140) 42242488	1	EA	
9	PW210013	FAN SHROUD (VUWC140) 42241349	1	EA	NO LONGER AVAILABLE
10	PW210014	DRIP PAN ASSY. (VUWC140)*42242055	1	EA	
11	PW200019	POP RIVET	1	EA	Not available online / Call for pricing and availability
12	PW240004	CONDENSER, R-134A	1	EA	
13	PW200020	NUT, TINNERMAN	1	EA	Not available online / Call for pricing and availability
14	PW200037	FAN BLADE	1	EA	
15	PW200036	SILENCER, FAN MOTOR SPACER	1	EA	Not available online / Call for pricing and availability
16	PW240005	FAN/MTR ASSY COMPLETE VUWC	1	EA	
17	PW200021	SCREW	1	EA	
18	PW200040	COMPRESSOR ASSEMBLY 42242580	1	EA	
19	PW200023	CARRIAGE BOLT	1	EA	NO LONGER AVAILABLE
20	PW210011	BASEPLATE (VUWC140)	1	EA	



Item	Part No.	Name	Qty	Uom	NOTES
21	PW240002	POWER CORD (VUWC140) 42242488	1	EA	
22	PW200025	SCREW, CLAMP	1	EA	Not available online / Call for pricing and availability
23	PW240021	DRAIN TUBE (42242079)	1	EA	
24	PW240007	PTC STARTER (VUWC140) 42242427	1	EA	
25	PW200026	SCREW, TERMINAL BLOCK	1	EA	Not available online / Call for pricing and availability
26	PW240008	TERMINAL BLOCK VUWC140 42242407	1	EA	
27	PW240004	CONDENSER, R-134A	1	EA	
28	PW230001	WIRING LABEL (VUWC140) * 41005090	1	EA	NO LONGER AVAILABLE, Not available online / Call for pricing and availability
29	PW210015	COMPRESSOR RELAY COVER	1	EA	Not available online / Call for pricing and availability
30	PW200030	SLEEVE, COMPRESSOR	1	EA	Not available online / Call for pricing and availability
31	PW200027	NO. 8 STAR WASHER	1	EA	
32	PW240010	GROUND WIRE, COMPRESSOR	1	EA	Not available online / Call for pricing and availability
33	PW240011	LOW PROCESS TUBE	1	EA	
34	PW200028	HEX HEAD SCREW	1	EA	
35	PW230002	R-134A LABEL (VUWC140) * 41005235	1	EA	NO LONGER AVAILABLE, Not available online / Call for pricing and availability
36	PW200029	SCREW	1	EA	NO LONGER AVAILABLE
37	PW240012	RUN CAPACITOR (VUWC140) 42242061	1	EA	





Item	Part No.	Name	Qty	Uom	NOTES
38	PW220007	J TRAP	1	EA	Not available online / Call for pricing and availability



Appendix A:Pages Index

CLEAR GLASS DOOR ASSY	1
FLUTED GLASS DOOR ASSY	2
RACK ASSY	3
REAR PANEL ASSY	4



Appendix B:Parts Index

000268-000	1, 2	PW200037	4
016837-000	3	PW200040	4, 4
F0002588BR	1, 2	PW210003	3
PD010019	1, 2	PW210004	3
PE010058	1, 2	PW210005	3
PE010093	1, 2	PW210008	3
PE030001PVD	1, 2	PW210009	4
PE930103	1, 2	PW210010	4
PW200001	3, 3	PW210011	4
PW200003	3	PW210012	3
PW200004	3	PW210013	4
PW200005	3	PW210014	4
PW200006	3	PW210015	4
PW200007	3	PW210017	3
PW200008	3	PW210019	3
PW200009	3	PW210022	3, 3
PW200010	3	PW220001	3
PW200011	3	PW220002	3
PW200012	3	PW220003	2
PW200013	3	PW220004	1, 2
PW200014	3	PW220005	3
PW200015	3	PW220007	3, 4
PW200016	4	PW230001	4
PW200017	4	PW230002	4
PW200018	4	PW230003	1, 3
PW200019	4	PW230004	3
PW200020	4	PW230005	1, 2
PW200021	4	PW230006	1
PW200023	4	PW230008	1, 2
PW200025	4	PW230010BR	2
PW200026	4	PW230010SS	2
PW200027	4	PW230012	3
PW200028	4	PW240002	4, 4
PW200029	4	PW240003	4
PW200030	4	PW240004	4, 4
PW200031	2	PW240005	4
PW200032	2	PW240007	4
PW200033	2	PW240008	4
PW200035	2	PW240010	4
PW200036	4	PW240011	4
		PW240012	4



PW240013	3
PW240014	3
PW240015	3
PW240017	3
PW240021	3, 4
PW240028	3
PW300244	2