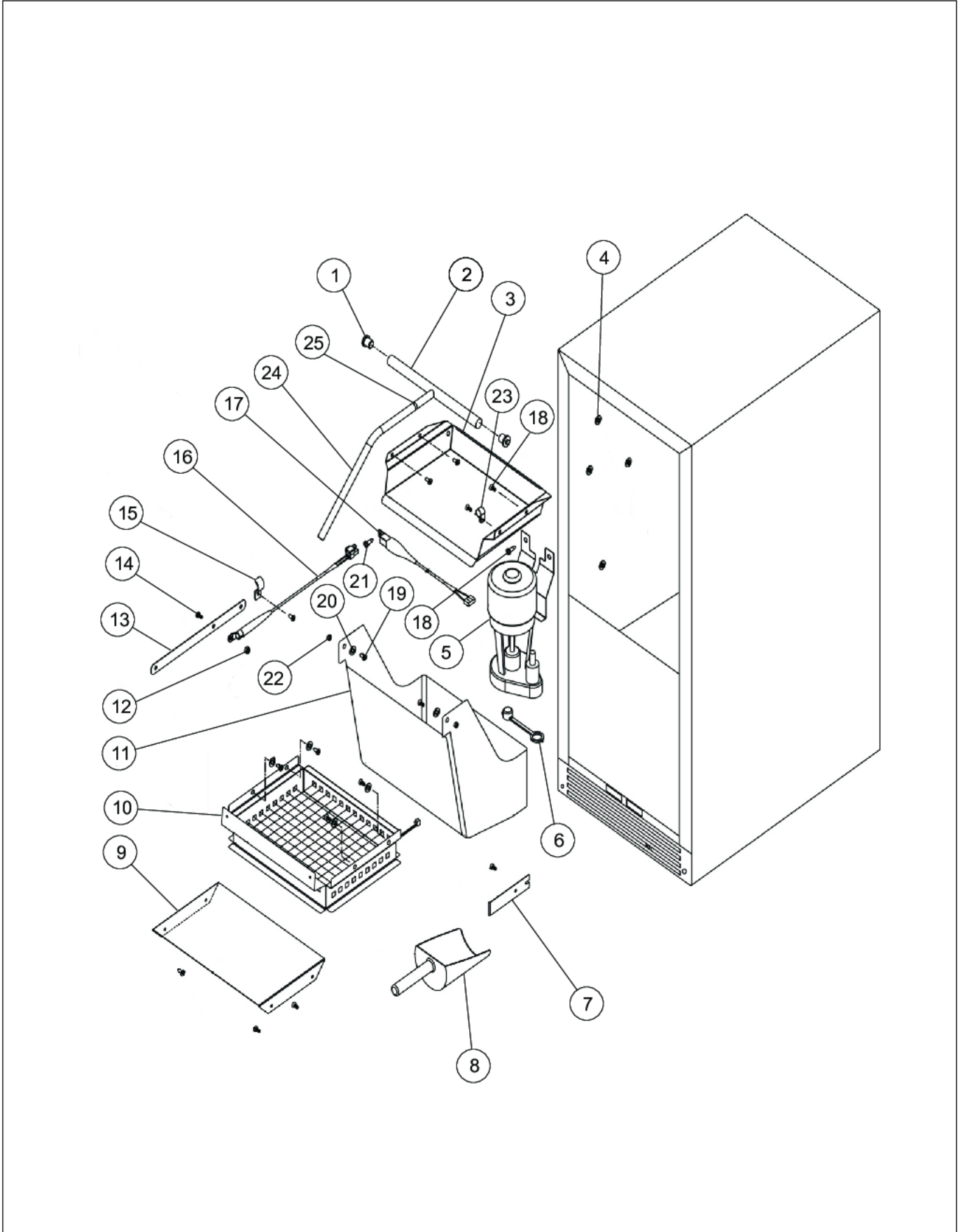


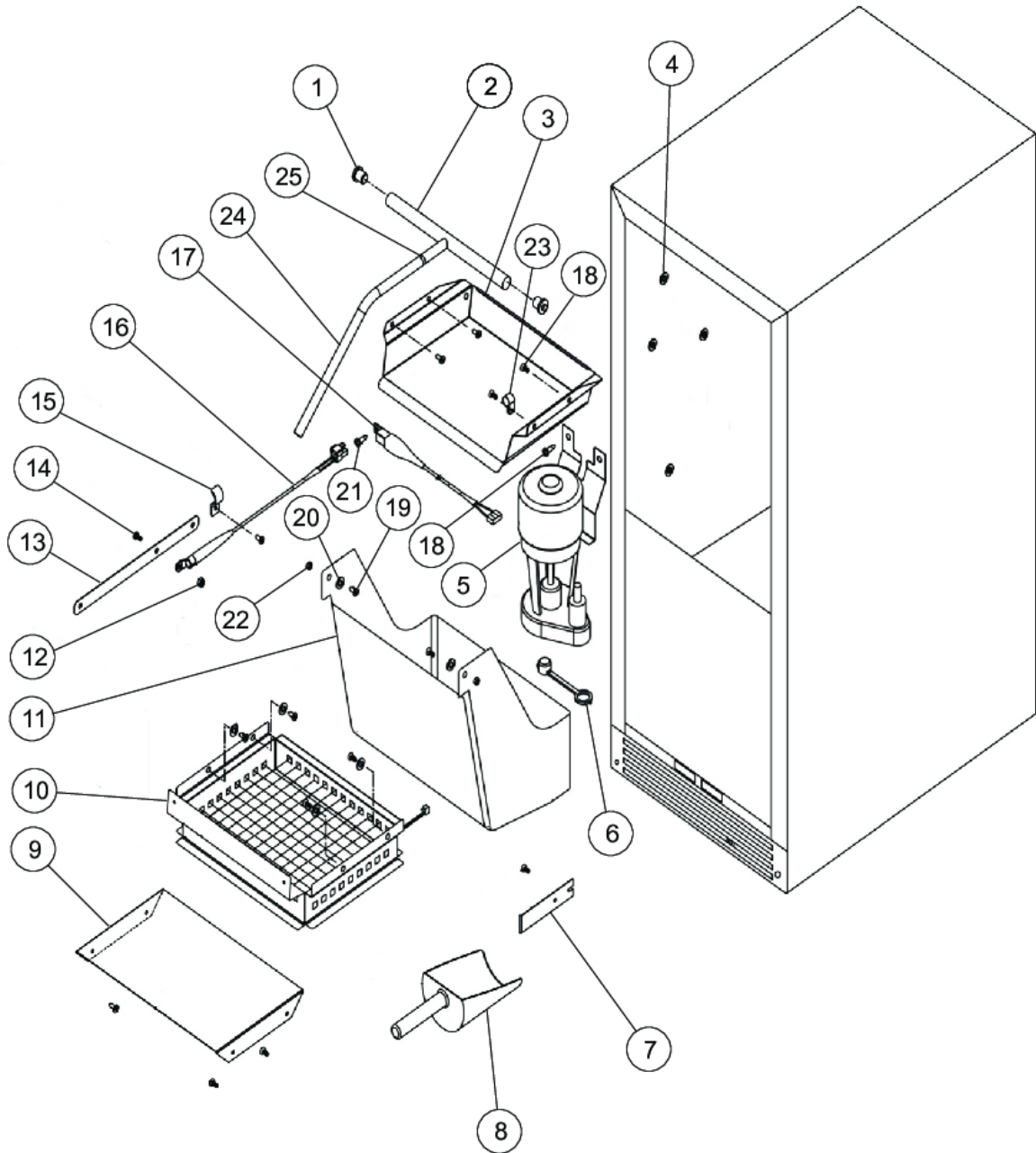
VUIM1531D

CABINET	1
CABINET FRONT	2
DOOR	3
HINGES	4
MECHANICAL	5
Appendix A:Pages Index	A
Appendix B:Parts Index	B

CABINET



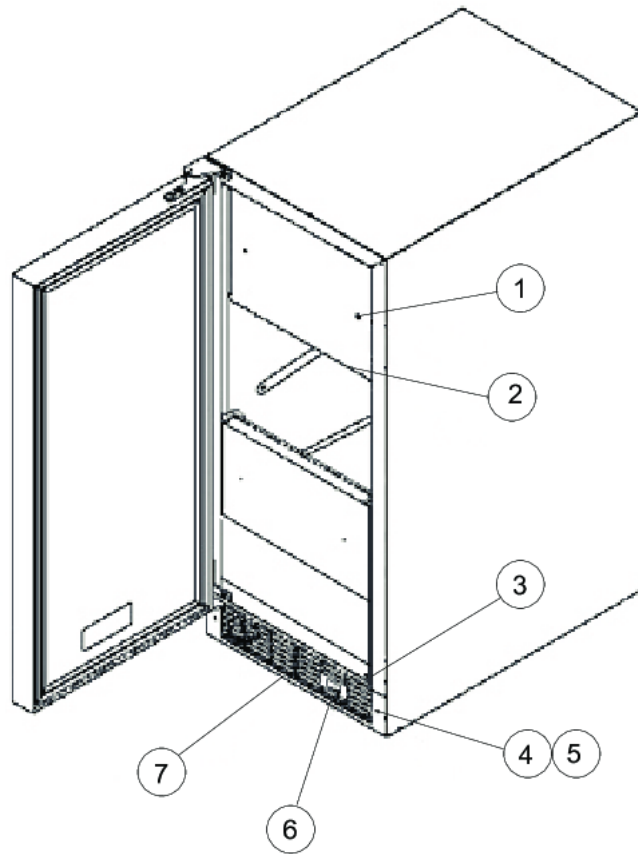
Item	Part No.	Name	Qty	Uom	NOTES
1	022786-000	SUBS TO PW300187 - DISTRIBUTOR TUBE END	2	EA	
2	022785-000	DRAIN TUBE, WHITE W/HOSE CLAMP	1	EA	
3	022787-000	EVAPORATOR ASSEMBLY, WHITE W/SCREWS & CLAMP - SUBS TO PW300155	1	EA	
4	PW300175	WELLNUT (VUIM150) 42242987	20	EA	
5	026787-000	SUBS TO PW300188 - CIRCULATION PUMP W/ SCREWS	1	EA	
6	PW300190	DRAIN PLUG (VUIM150) 42242982	1	EA	
7	022784-000	RETAINER CLIP W/ SCREWS	1	EA	
8	PW300156	ICE SCOOP (VUIM150) 42242993	1	EA	
9	PW300180	DFLCTOR W/SCREWS (VUIM150) 42242985	1	EA	
10	PW300191	GRID CUTTER ASSY (VUIM) 42242984	1	EA	
11	022788-000	SUBS TO PW300189 - RESERVOIR ASSY	1	EA	
12	036606-000	#10-24 LOCK NUT	1	EA	
13	036607-000	BIN SENSOR BAR	1	EA	
14	036608-000	10-24 PHILLIPS HEAD SCREW, SS	1	EA	
15	036609-000	P-CLAMP	1	EA	
16	036610-000	SLEEVE WITH THERMISTOR	1	EA	
17	022828-000	EVAPORATOR THERMISTOR W/SCREW	1	EA	
18	036611-000	10-32 X 1 TRUSS HEAD SCREW	18	EA	
19	022872-000	#10-32 MACHINE SCREW	2	EA	
20	036612-000	1/4" LARGE VINYL SPACER, WHITE	2	EA	
21	022820-000	#10-32 x 1/2" Truss Head Screw, Stainless Steel	1	EA	
22	022836-000	PLASTIC WASHER	2	EA	
23	022818-000	P-CLAMP, WHITE	2	EA	
24	022921-000	DRAIN TUBE	1	EA	Not available online / Call for pricing and availability





Item	Part No.	Name	Qty	Uom	NOTES
25	036613-000	HOSE CLAMP	1	EA	

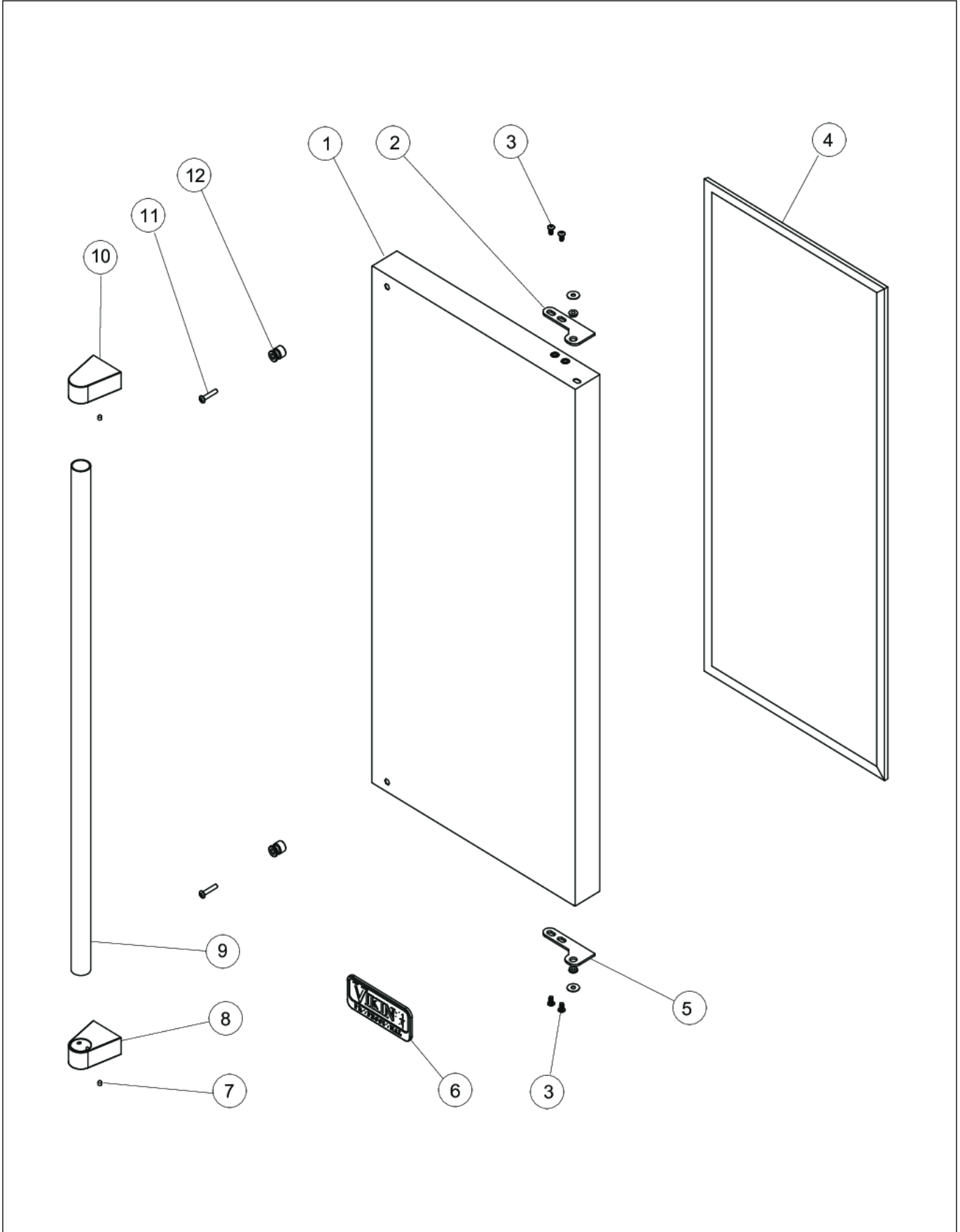
CABINET FRONT





Item	Part No.	Name	Qty	Uom	NOTES
1	022820-000	#10-32 x 1/2" Truss Head Screw, Stainless Steel	2	EA	
2	022793-000	ESCUTCHEON ASSY	1	EA	
3	022778-000	SUBS TO PW200044 - HOLE PLUG	6	EA	
4	036603-000	12-14 X 3/4 HEX WASHER HEAD SCREW	2	EA	
5	036604-000	#12 LOCK WASHER	2	EA	
6	022754-000	TUBING, .250 X 6.25	1	EA	
7	036631-000	GRILLE, BLACK	1	EA	

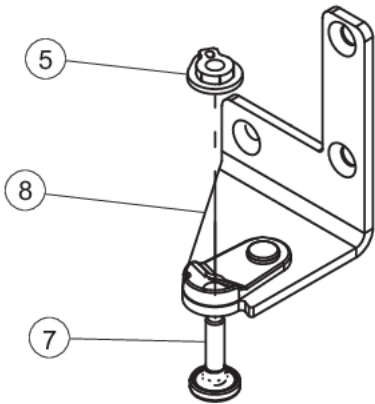
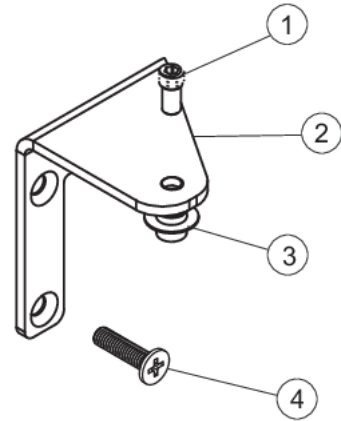
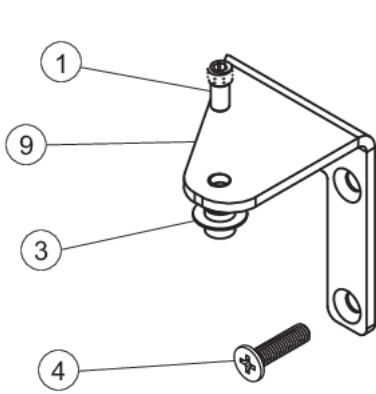
DOOR



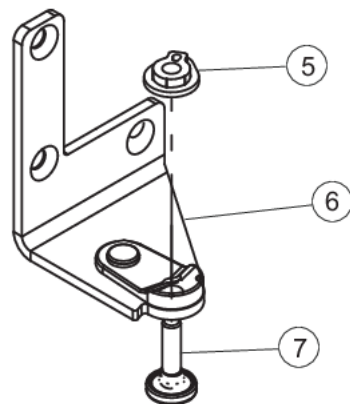


Item	Part No.	Name	Qty	Uom	NOTES
1	036601-000	DOOR ASSEMBLY RH (VUIM)	1	EA	
1	036602-000	DOOR ASSEMBLY LH (VUIM)	1	EA	
2	028355-000	TOP HINGE ADAPTER, R.H. DOOR (SHOWN)	1	EA	
2	022900-000	TOP HINGE ADAPTER, LEFT HAND	1	EA	
3	022248-000	1/4-20 X 1/2 BUTTON HEAD CAP SCREW	4	EA	
4	PW230017	DOOR GASKET (VUAR/VUWC) 42242914	1	EA	
5	022427-000	DOOR STOP, L.H.	1	EA	
5	022424-000	SCREW : 4MM X 10MM	1	EA	
6	PS100055	Viking Nameplate	1	EA	
7	022248-000	1/4-20 X 1/2 BUTTON HEAD CAP SCREW	2	EA	
8	022437-000	STANDOFF BOTTOM	1	EA	
9	028394-000	DOOR HANDLE	1	EA	
10	022438-000	STANDOFF TOP	1	EA	
11	022434-000	#10-32 X 1ø TRUSS HEAD MACHINE SCREW	2	EA	Not available online / Call for pricing and availability
12	009521-000	STANDOFF STUD	2	EA	Not available online / Call for pricing and availability

HINGES



Right Hand

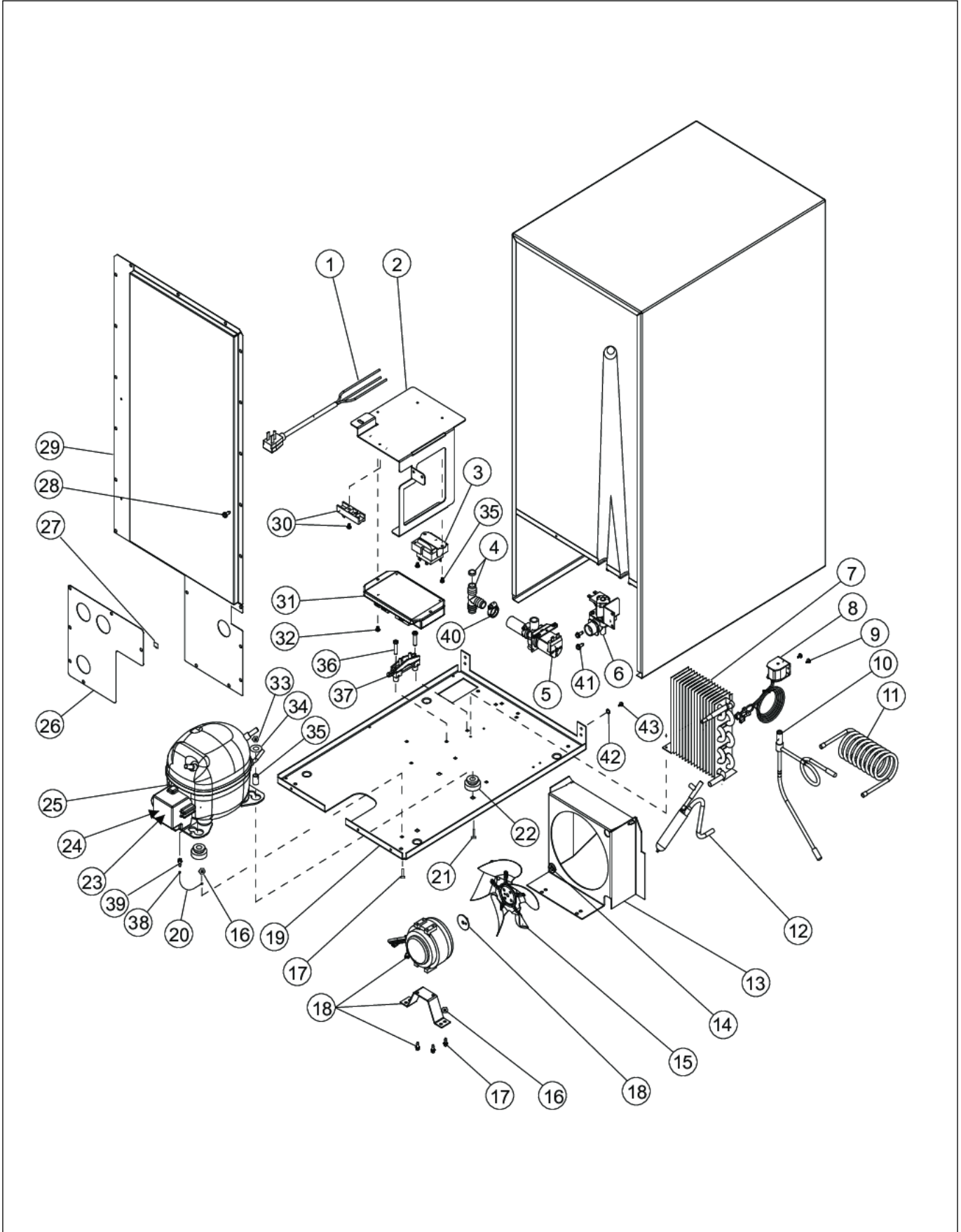


Left Hand

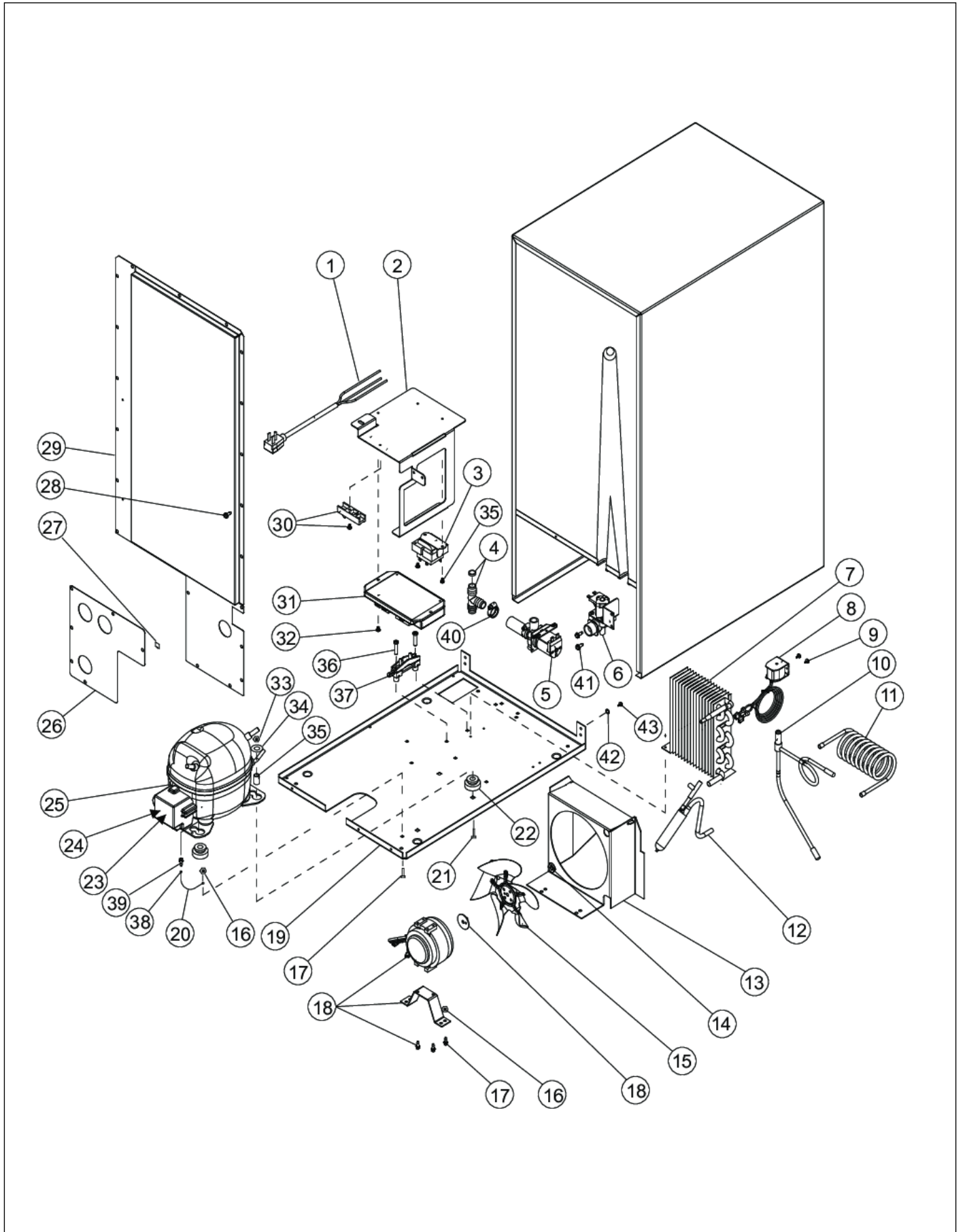


Item	Part No.	Name	Qty	Uom	NOTES
1	028354-000	SUBS TO PW200032 - Hinge Pin, Top	1	EA	
2	022416-000	UPPER DOOR HINGE L.H.	1	EA	
3	022414-000	BEARING, HINGE PIN UPPER	1	EA	
4	022252-000	10-32 X 3/4 COUNTERSUNK SCREW	6	EA	
5	022423-000	DOOR CLOSER CAM FOLLOWER	1	EA	
6	022420-000	BOTTOM DOOR HINGE, L.H.	1	EA	
7	022240-000	LOWER HINGE PIN	1	EA	
8	036628-000	BOTTOM DOOR HINGE RH	1	EA	
9	036629-000	UPPER DOOR HINGE RH	1	EA	

MECHANICAL



Item	Part No.	Name	Qty	Uom	NOTES
1	PS100134	POWER CORD REF. DRAWER	1	EA	
2	036614-000	BRACKET, SATURN CONTROL	1	EA	
3	026790-000	TRANSFORMER, 120V TO 12V - SUBS TO PW300154	1	EA	
4	026791-000	TEE FIT'G/FLOW RESTRICTOR ASSY W/ CLAMPS	1	EA	Not available online / Call for pricing and availability
5	028417-000	DRAIN VALVE	1	EA	
6	PW300184	WATER VALVE ASSY (VUIM150), INDOOR UNITS 42249466	1	EA	
7	028504-000	CONDENSER	1	EA	
8	036615-000	SOLENOID COIL	1	EA	
9	036616-000	M4 X .7 X 5.0 PHILLIPS PAN HEAD SCREW	2	EA	
10	036617-000	HOT GAS VALVE	1	EA	
11	022839-000	PRECOOLER	1	EA	
12	022832-000	DRIER ASSEMBLY	1	EA	
13	036634-000	FAN SHROUD	1	EA	
14	036619-000	NUT, TINNERMAN	1	EA	
15	028421-000	SUBS TO PW200037 - FAN BLADE	1	EA	
16	022381-000	#10-24 Hex Nut	5	EA	
17	022365-000	#10-24 x 1/2" Carriage Bolt	6	EA	
18	PW300152	FAN MOTOR ASSY (VUIM150) 42244701	1	EA	
19	036621-000	BASEPLATE	1	EA	
20	PW300137	Ground Wire	1	EA	Not available online / Call for pricing and availability
21	022815-000	1/4-20 x 1-1/4" Carriage Bolt	3	EA	
22	022908-000	Grommet	4	EA	
23	022948-000	OVERLOAD PROTECTOR ASSEMBLY	1	EA	
24	036624-000	POWER CORD CLAMP W/SCREWS	1	EA	
25	028378-000	COMPRESSOR	1	EA	
26	036635-000	ACCESS PANEL	1	EA	





Item	Part No.	Name	Qty	Uom	NOTES
27	022796-000	U-CLIP	1	EA	
28	022440-000	#10 X 5/8 HEX HEAD SCREW	25	EA	
29	036636-000	RAISED BACK PANEL	1	EA	Not available online / Call for pricing and availability
30	022906-000	TERMINAL BLOCK	1	EA	Not available online / Call for pricing and availability
31	017662-000	ELECTRONIC CONTROL, SATURN	1	EA	
32	022880-000	#8-32 x 3/8" Screw	5	EA	
33	022395-000	1/4-20 Hex Lock Nut	3	EA	
34	022388-000	Flat Washer	2	EA	
35	022912-000	Sleeve	2	EA	
38	022358-000	THERMAL CUT-OUT N.O. 60 DEGREES	2	EA	Not available online / Call for pricing and availability
39	022883-000	#8-21X1/4 Screw Phillips Pan Head	2	EA	
40	036625-000	HOSE CLAMP	1	EA	Not available online / Call for pricing and availability
41	022440-000	#10 X 5/8 HEX HEAD SCREW	2	EA	
42	022403-000	#10 Countersunk Flatwasher	4	EA	
43	022252-000	10-32 X 3/4 COUNTERSUNK SCREW	4	EA	



Appendix A:Pages Index

CABINET	1
CABINET FRONT	2
DOOR	3
HINGES	4
MECHANICAL	5



Appendix B:Parts Index

009521-000	3	022900-000	3
017662-000	5	022906-000	5
022240-000	4	022908-000	5
022248-000	3, 3	022912-000	5
022252-000	4, 5	022921-000	1
022358-000	5	022948-000	5
022365-000	5	026787-000	1
022381-000	5	026790-000	5
022388-000	5	026791-000	5
022395-000	5	028354-000	4
022403-000	5	028355-000	3
022414-000	4	028378-000	5
022416-000	4	028394-000	3
022420-000	4	028417-000	5
022423-000	4	028421-000	5
022424-000	3	028504-000	5
022427-000	3	036601-000	3
022434-000	3	036602-000	3
022437-000	3	036603-000	2
022438-000	3	036604-000	2
022440-000	5, 5	036606-000	1
022754-000	2	036607-000	1
022778-000	2	036608-000	1
022784-000	1	036609-000	1
022785-000	1	036610-000	1
022786-000	1	036611-000	1
022787-000	1	036612-000	1
022788-000	1	036613-000	1
022793-000	2	036614-000	5
022796-000	5	036615-000	5
022815-000	5	036616-000	5
022818-000	1	036617-000	5
022820-000	1, 2	036619-000	5
022828-000	1	036621-000	5
022832-000	5	036624-000	5
022836-000	1	036625-000	5
022839-000	5	036628-000	4
022872-000	1	036629-000	4
022880-000	5	036631-000	2
022883-000	5	036634-000	5
		036635-000	5



036636-000	5
PS100055	3
PS100134	5
PW230017	3
PW300137	5
PW300152	5
PW300156	1
PW300175	1
PW300180	1
PW300184	5
PW300190	1
PW300191	1