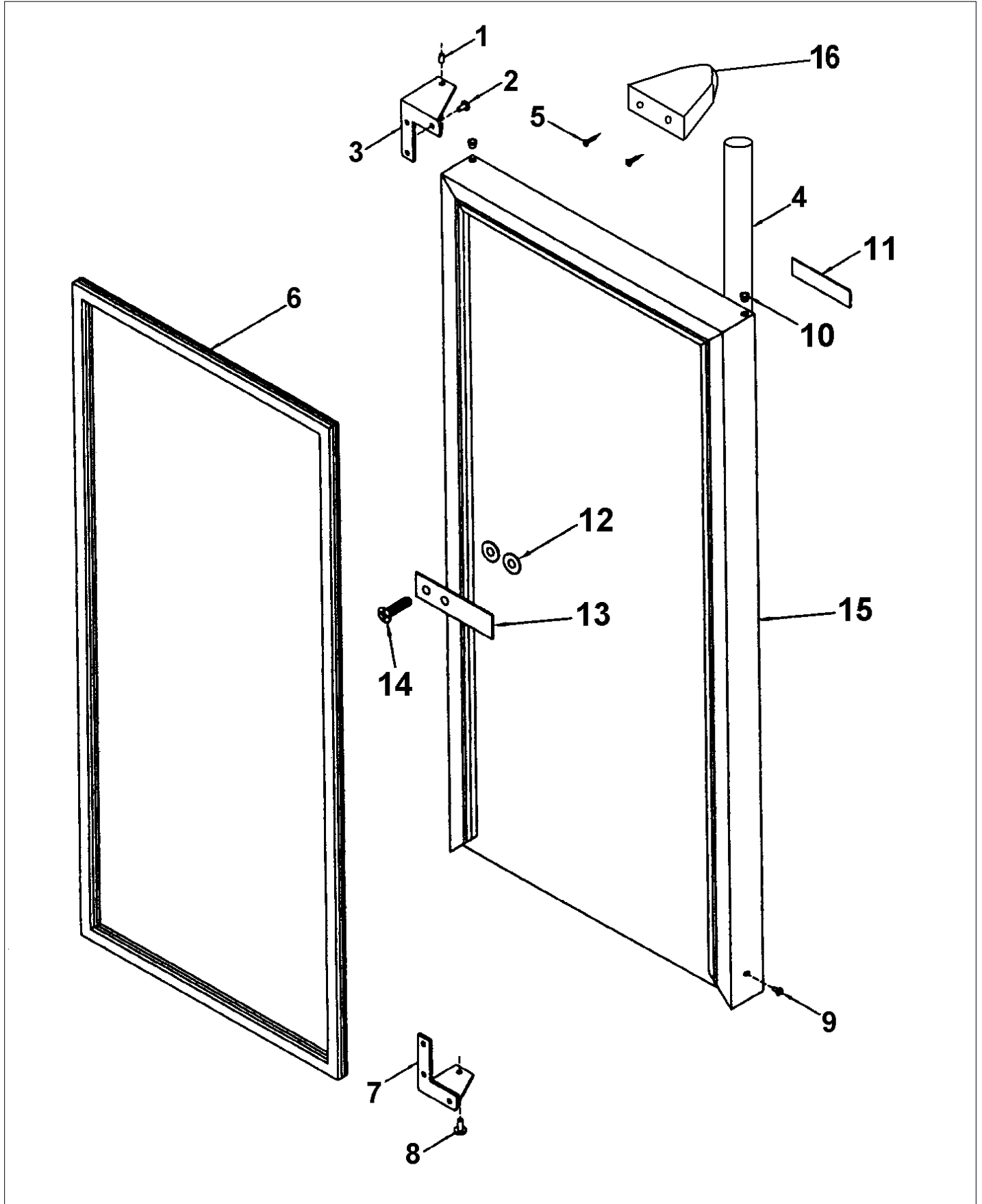


**VUIM150T**

|                              |   |
|------------------------------|---|
| DOOR ASSY .....              | 1 |
| EXTERIOR ASSEMBLY .....      | 2 |
| INTERNAL ASSY (VIEW 1) ..... | 3 |
| INTERNAL ASSY (VIEW 2) ..... | 4 |
| Appendix A:Pages Index ..... | A |
| Appendix B:Parts Index ..... | B |

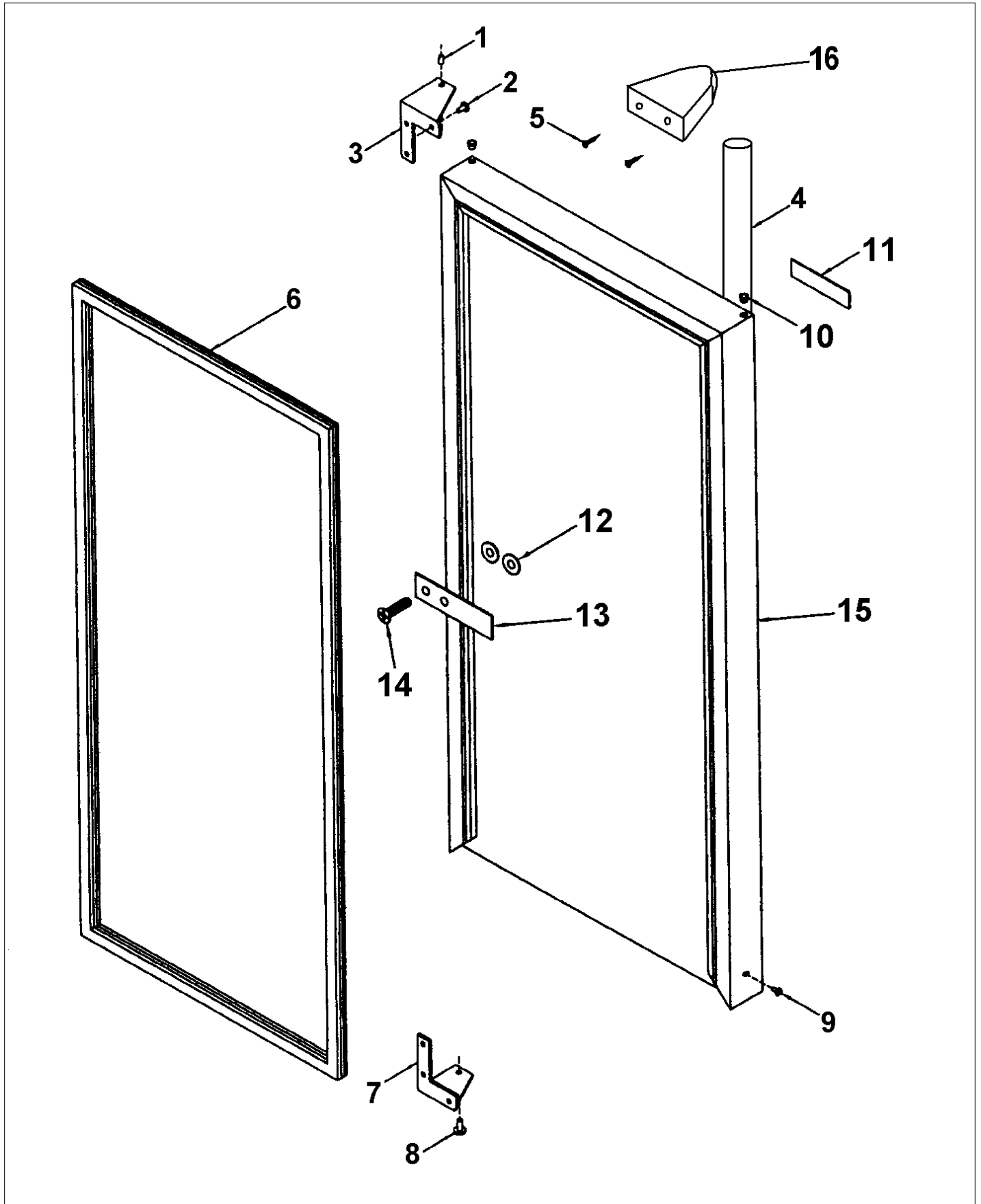


DOOR ASSY





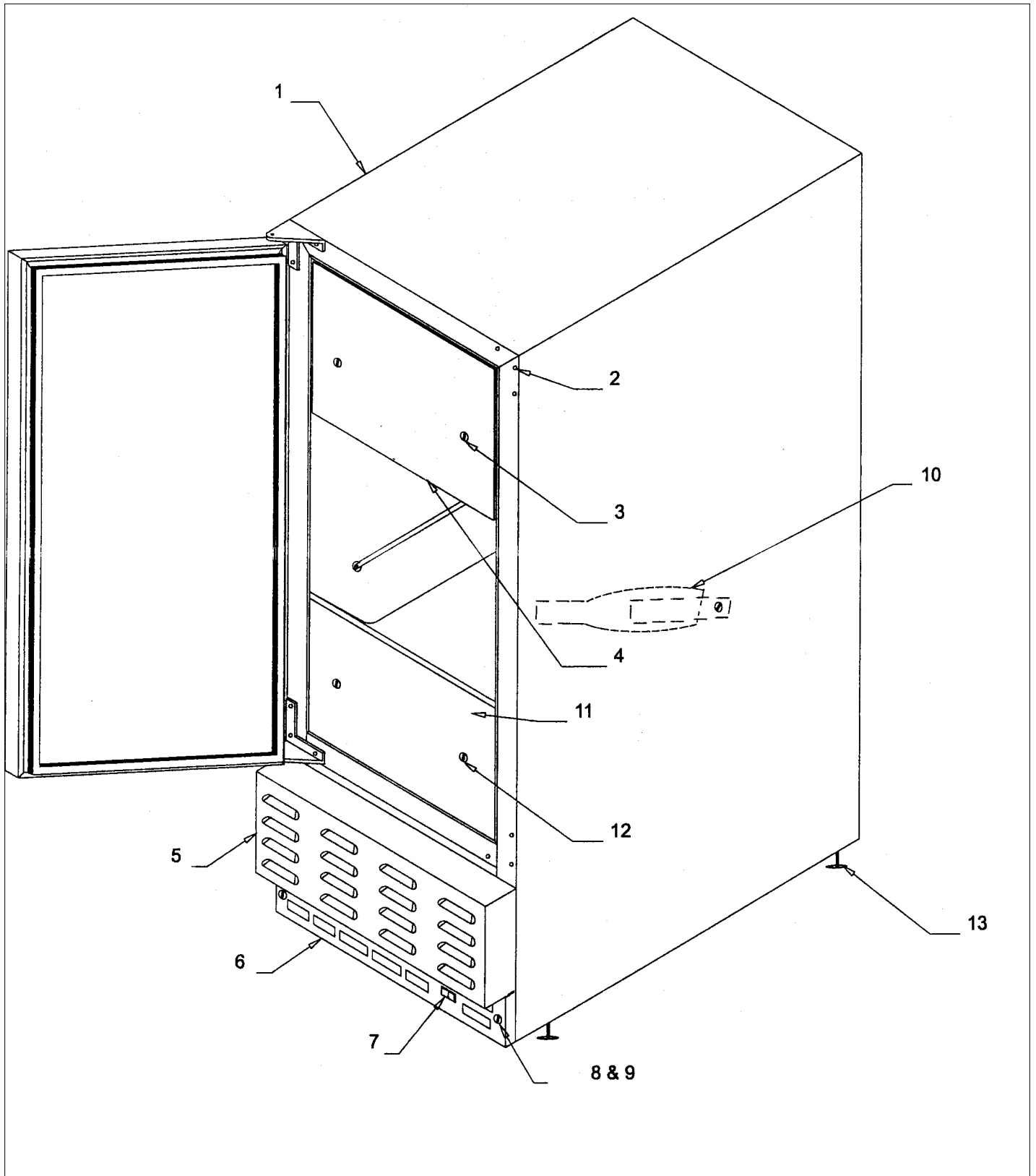
| Item      | Part No.    | Name                                | Qty | Uom | NOTES   |
|-----------|-------------|-------------------------------------|-----|-----|---|
| 1         | PW300239    | HINGE PIN, TOP                      | 1   | EA  |   |
| 2         | PW200031    | SCREW HINGE MTG 42242605            | 1   | EA  |   |
| 3         | PW300241    | HINGE                               | 1   | EA  | Not available online / Call for pricing and availability                      |
| 4         | PE930102    | DR HNDLE VUIM150DR *SS CUT 24 5/8"  | 1   | EA  |   |
| Not Shown | PE930102PVD | DOOR HANDLE (VUIM150DR) *BR*        | 1   | EA  | NO LONGER AVAILABLE   |
| 5         | PW300167    | SCREW (VUIM150) 42243240            | 1   | EA  | NO LONGER AVAILABLE   |
| 6         | PW300265    | DOOR GASKET (42243388) VUIM150      | 1   | EA  |   |
| 7         | PW220004    | HINGE KIT (VUWC140) * 42240881      | 1   | EA  |   |
| 8         | PW300244    | HINGE PIN, BOTTOM (42245708)        | 1   | EA  |   |
| 9         | PW300245    | SCREW PKG25 42242237                | 1   | EA  | NO LONGER AVAILABLE   |
| 10        | PW220010    | HINGE BUSHING (VUAR/VUWC) 42242282  | 1   | EA  |   |
| 11        | PE010058    | 4 1/2"LOGO/VIKING "PROF" *BK* (ADV  | 1   | EA  |   |
| Not Shown | PE010093    | LOGO-4 1/2 (VIKING-*BK**BR* ADHESIV | 1   | EA  |   |
| 12        | PW300247    | WELLNUT                             | 1   | EA  | Not available online / Call for pricing and availability                      |
| 13        | PW300248    | RETAINER AND WELL NUTS 42242975     | 1   | EA  | NO LONGER AVAILABLE   |
| 14        | PW300163    | SCREW (VUIM150) 42243357            | 1   | EA  |   |
| 15        | B2096967    | DOOR SKIN 15"" ICE MAKER            | 1   | EA  |   |
| Not Shown | C9096967FG  | DOOR PANEL (VUIM150)                | 1   | EA  | NO LONGER AVAILABLE, Not available online / Call for pricing and availability |
| Not Shown | C9096967GG  | DOOR PANEL (VUIM150)                | 1   | EA  | Not available online / Call for pricing and availability                      |
| Not Shown | C9096967VB  | DOOR PANEL (VUIM150)                | 1   | EA  | NO LONGER AVAILABLE   |





| Item      | Part No.    | Name                            | Qty | Uom | NOTES  |
|-----------|-------------|---------------------------------|-----|-----|--|
| 16        | 000268-000  | HANDLE ENDCAP                   | 1   | EA  |  |
| Not Shown | PE030001PVD | END CAP DOOR HANDLE *BR         | 1   | EA  |  |
| NI        | PW300252    | DOOR ASSY. W/O FRAME (LH/RH)    | 1   | EA  | Not available online / Call for pricing and availability |
| NI        | PW300253    | VUIM150DLSS WITH FRAME 42243727 | 1   | EA  | NO LONGER AVAILABLE                                      |
| NI        | PW300254    | VUIM150DRSS WITH FRAME 42243728 | 1   | EA  | NO LONGER AVAILABLE                                      |

EXTERIOR ASSEMBLY

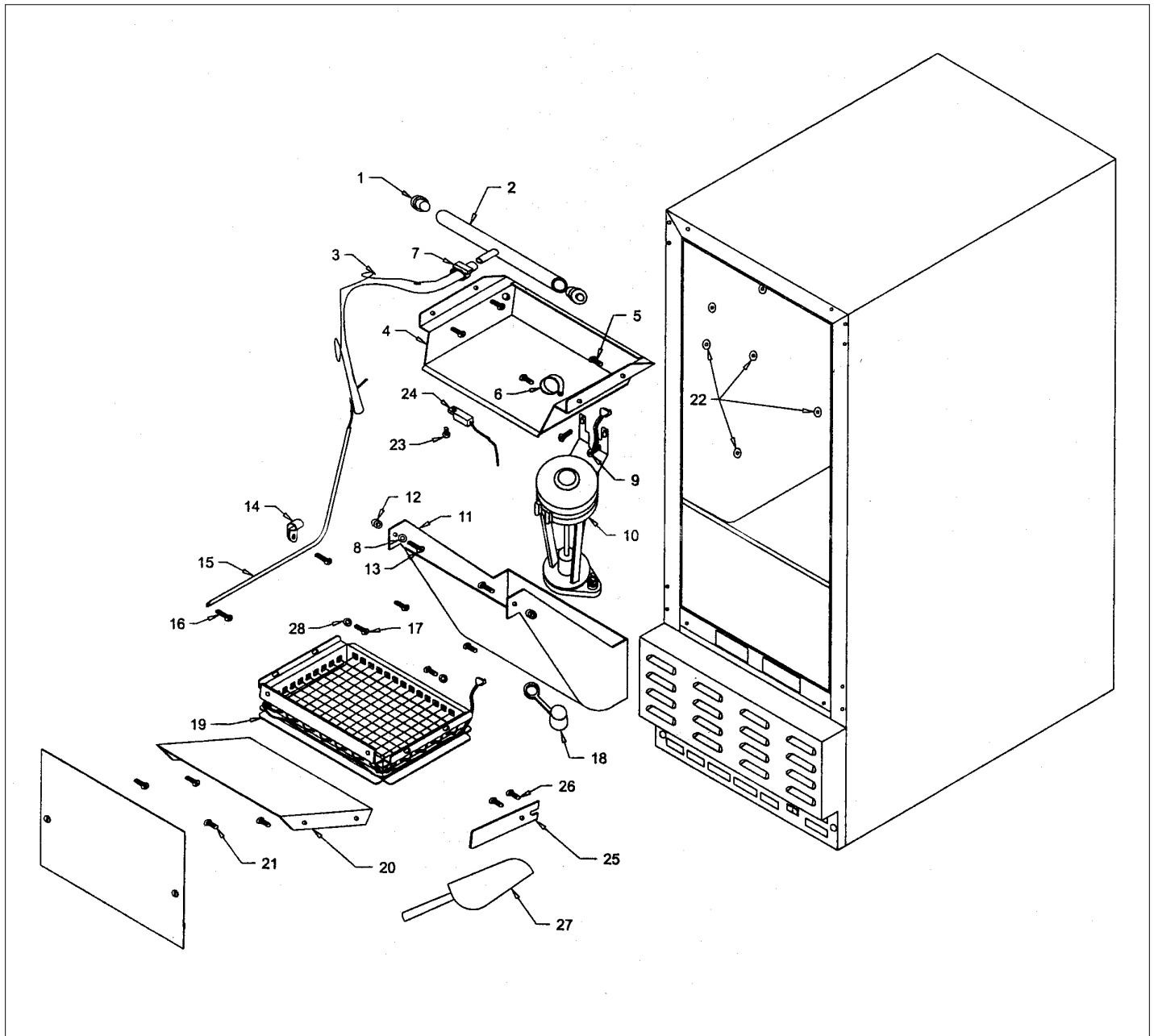






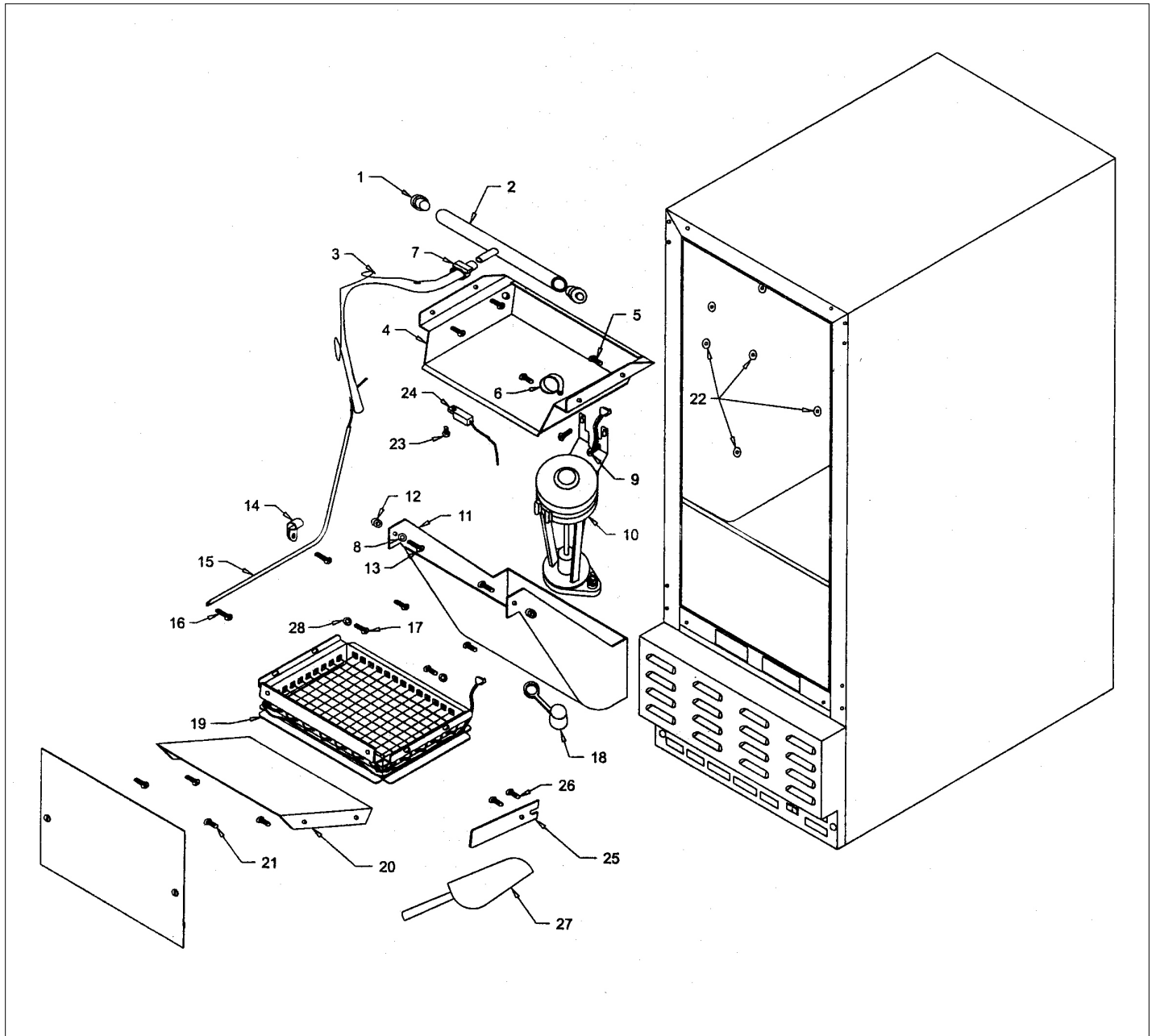
| Item      | Part No.        | Name                                   | Qty | Uom | NOTES   |
|-----------|-----------------|--|-----|-----|---|
| 1         | NOT REPLACEABLE | CABINET ASSEMBLY                       | 1   | EA  |   |
| 2         | PW300268        | HOLE PLUG (42242846)                   | 1   | EA  | NO LONGER AVAILABLE, Not available online / Call for pricing and availability |
| 3         | PART OF ITEM #4 | SCREW                                  | 1   | EA  |   |
| 4         | PW300157        | ESCUTHEON PNL/SCREW 42242989           | 1   | EA  |   |
| 5         | PW300269        | GRILLE, SS TOP (42245191)              | 1   | EA  |   |
| Not Shown | G9096974FG      | GRILLE ASSY 15" ICEMAKER *FG*          | 1   | EA  | NO LONGER AVAILABLE, Not available online / Call for pricing and availability |
| Not Shown | G9096974GG      | GRILLE ASSY 15" ICEMAKER *GG*          | 1   | EA  | NO LONGER AVAILABLE, Not available online / Call for pricing and availability |
| Not Shown | G9096974VB      | GRILLE ASSY 15" ICEMAKER *VB*          | 1   | EA  | NO LONGER AVAILABLE   |
| 6         | PW300270        | GRILLE, SS BOTTOM (OUTDOOR)            | 1   | EA  |   |
| 7         | PW300158        | ON/OFF CLEAN SWITCH (VUIM) 42242992    | 1   | EA  |   |
| 8         | PW300272        | SCREW, GRILLE                          | 1   | EA  | Not available online / Call for pricing and availability                      |
| 9         | PW300273        | WASHER                                 | 1   | EA  | Not available online / Call for pricing and availability                      |
| 10        | PW300156        | ICE SCOOP (VUIM150) 42242993           | 1   | EA  |   |
| 11        | PW300275        | TRIM PANEL ASSEMBLY (OUTDOOR) 42244709 | 1   | EA  | Not available online / Call for pricing and availability                      |
| 12        | PW300163        | SCREW (VUIM150) 42243357               | 1   | EA  |   |
| 13        | PW200038        | LEVELER KIT                            | 1   | EA  |   |

INTERNAL ASSY (VIEW 1)





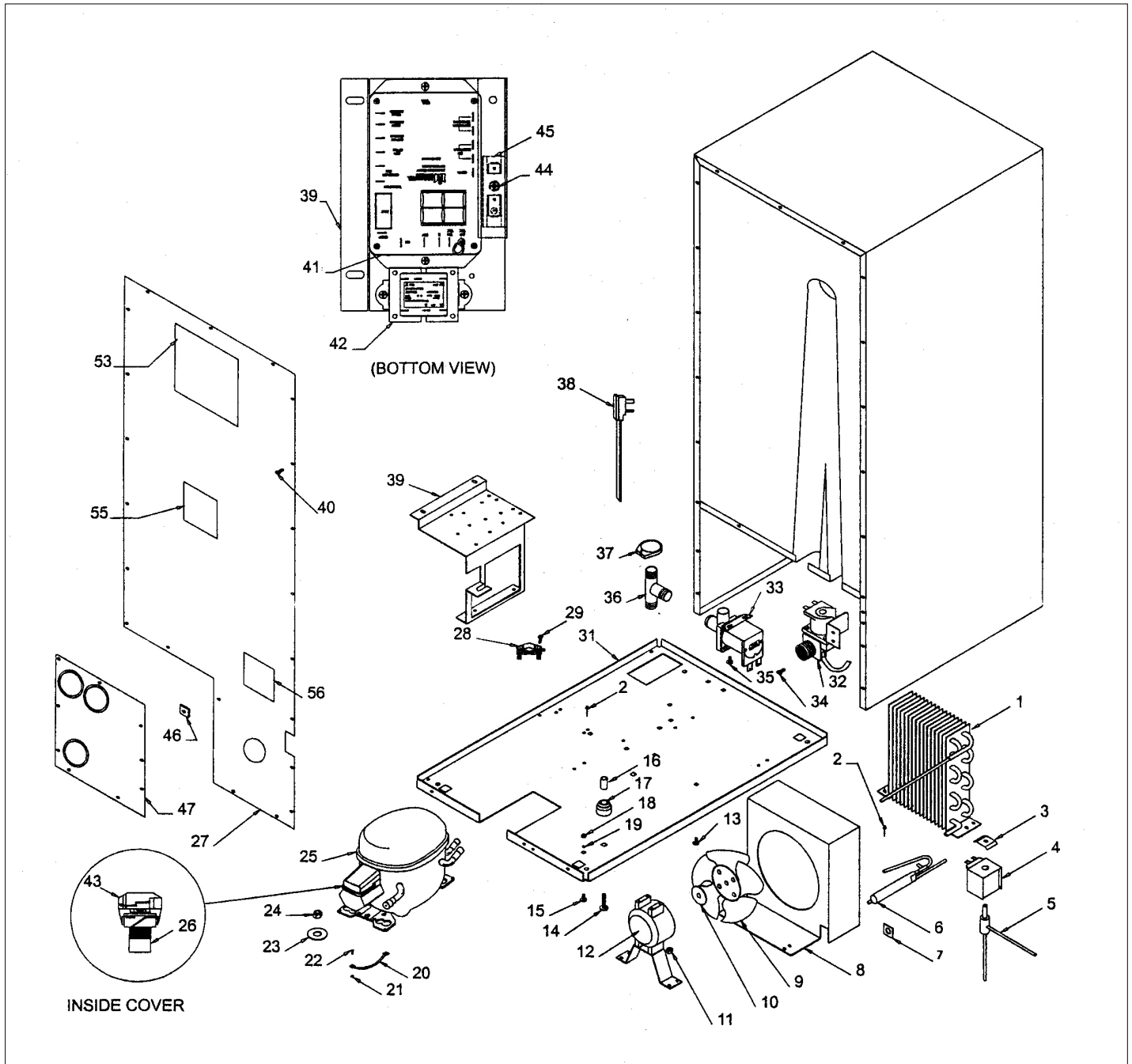
| Item      | Part No.    | Name                                       | Qty | Uom | NOTES |
|-----------|-------------|--|-----|-----|-------|
| 1         | PW300187    | DISTRIBUTOR TUBE END<br>(VUIM)42242977     | 1   | EA  |       |
| 2         | PW300142    | DISTRIBUTOR TUBE (VUIM150)<br>42242976     | 1   | EA  |       |
| 3         | PART OF #2  | TUBING                                     | 1   | EA  |       |
| 4         | PW300155    | EVAPORATOR ASSY (VUIM150)<br>42242978      | 1   | EA  |       |
| 5         | PW300163    | SCREW (VUIM150) 42243357                   | 1   | EA  |       |
| 6         | PART OF #4  | CLAMP                                      | 1   | EA  |       |
| 7         | PART OF #2  | HOSE CLAMP                                 | 1   | EA  |       |
| 8         | PART OF #11 | WASHER                                     | 1   | EA  |       |
| 9         | PW300163    | SCREW (VUIM150) 42243357                   | 1   | EA  |       |
| 10        | PW300188    | CIRCULATION PUMP VUIM<br>42242980          | 1   | EA  |       |
| NI        | 025147-000  | DRAIN PUMP, AUXILIARY,<br>SEALED RESERVOIR | 1   | EA  |       |
| 11        | PW300189    | RESERVOIR (VUIM150)<br>42242981            | 1   | EA  |       |
| 12        | PART OF #11 | SPACER                                     | 1   | EA  |       |
| 13        | PART OF #11 | SCREW                                      | 1   | EA  |       |
| 14        | PART OF #15 | CLAMP                                      | 1   | EA  |       |
| 15        | PW300183    | THERMISTOR W/SLEEVE<br>42242986            | 1   | EA  |       |
| Not Shown | NOTE        | (BEFORE 08-08-07)                          |     | EA  |       |
| Not Shown | 006331-000  | BIN THERMISTOR W/SLEEVE                    | 1   | EA  |       |
| Not Shown | NOTE        | (AFTER 08-08-07)                           |     | EA  |       |
| 16        | PW300163    | SCREW (VUIM150) 42243357                   | 1   | EA  |       |
| 17        | PW300163    | SCREW (VUIM150) 42243357                   | 1   | EA  |       |
| 18        | PW300190    | DRAIN PLUG (VUIM150)<br>42242982           | 1   | EA  |       |
| 19        | PW300191    | GRID CUTTER ASSY (VUIM)<br>42242984        | 1   | EA  |       |
| 20        | PW300180    | DFLCTOR W/SCREWS<br>(VUIM150) 42242985     | 1   | EA  |       |
| 21        | PW300163    | SCREW (VUIM150) 42243357                   | 1   | EA  |       |
| 22        | PW300175    | WELLNUT (VUIM150) 42242987                 | 1   | EA  |       |



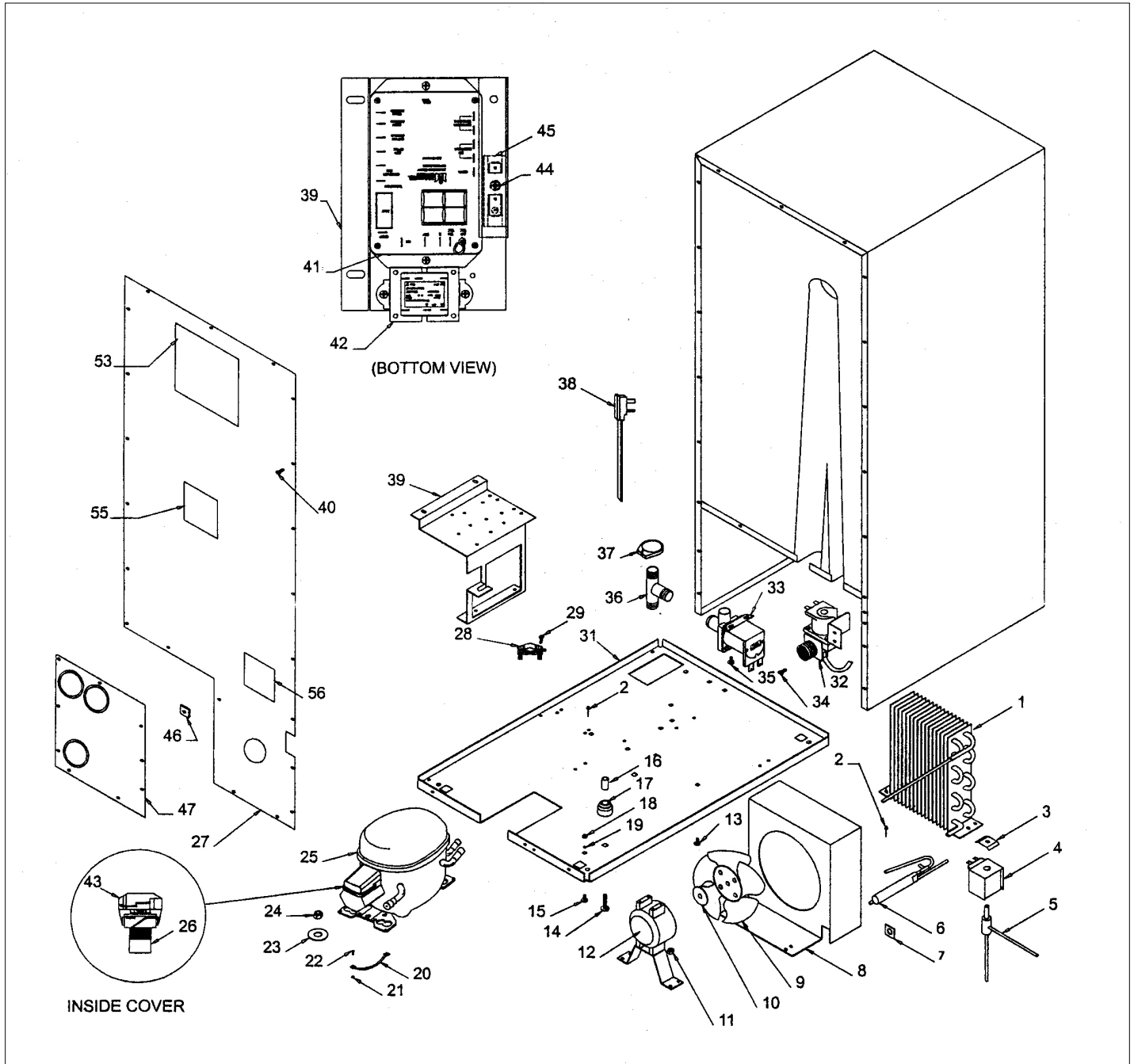


| Item       | Part No.    | Name                          | Qty | Uom | NOTES  |
|------------|-------------|-------------------------------|-----|-----|--|
| 23         | PART OF #24 | SCREW                         | 1   | EA  |  |
| 24         | PW300195    | THERMISTOR 42243392           | 1   | EA  |  |
| Not Shown  | NOTE        | (BEFORE 08-08-07)             |     | EA  |  |
| 006330-000 | 022828-000  | EVAPORATOR THERMISTOR W/SCREW | 1   | EA  |  |
| Not Shown  | NOTE        | (AFTER 08-08-07)              |     | EA  |  |
| 25         | PW300277    | RETAINER CLIP                 | 1   | EA  | Not available online / Call for pricing and availability |
| 26         | PW300163    | SCREW (VUIM150) 42243357      | 1   | EA  |  |
| 27         | PW300156    | ICE SCOOP (VUIM150) 42242993  | 1   | EA  |  |
| 28         | PART OF #19 | WASHER                        | 1   | EA  |  |

INTERNAL ASSY (VIEW 2)

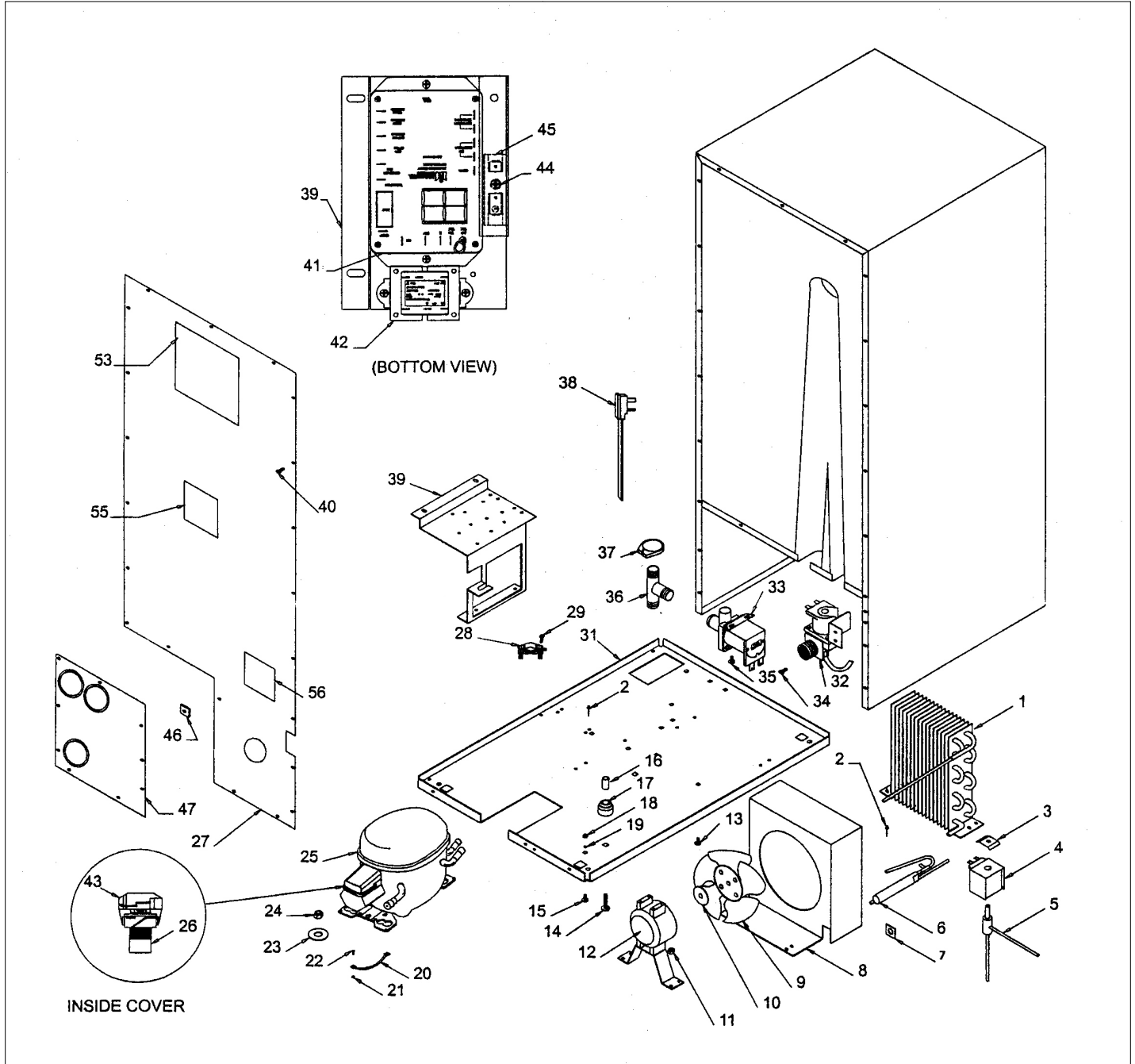


| Item | Part No.    | Name                                    | Qty | Uom | NOTES   |
|------|-------------|---|-----|-----|---|
| 1    | PW300159    | CONDENSER ASSY                          |     | EA  |   |
| 2    | PW300141    | POP RIVET, SS (VUIM150)<br>42243617     |     | EA  | NO LONGER AVAILABLE, Not available online / Call for pricing and availability |
| 3    | PW300139    | SOLENOID COIL (VUIM150)<br>42241490 NLA |     | EA  |   |
| 4    | part of #3  | Solenoid Coil and Retainer              |     | EA  |   |
| 5    | 011138-000  | HOT GAS VALVE                           |     | EA  |   |
| 6    | PW300162    | DRIER ASSEMBLY (VUIM150)<br>42242961    |     | EA  |   |
| 7    | part of #12 | Carriage Bolt                           |     | EA  |   |
| 8    | PW300145    | FAN SHROUD (VUIM150)<br>42242902        |     | EA  |   |
| 9    | PW200037    | FAN BLADE                               |     | EA  |   |
| 10   | part of #12 | Carriage Bolt                           |     | EA  |   |
| 11   | part of #12 | Carriage Bolt                           |     | EA  |   |
| 12   | PW300152    | FAN MOTOR ASSY (VUIM150)<br>42244701    |     | EA  |   |
| 13   | part of #12 | Carriage Bolt                           |     | EA  |   |
| 14   | part of #25 | Locknut                                 |     | EA  |   |
| 15   | part of #25 | Locknut                                 |     | EA  |   |
| 16   | part of #25 | Locknut                                 |     | EA  |   |
| 17   | part of #25 | Locknut                                 |     | EA  |   |
| 18   | part of #25 | Locknut                                 |     | EA  |   |
| 19   | PW300143    | LOCK WASHER (VUIM150)<br>42243619       |     | EA  | NO LONGER AVAILABLE   |
| 20   | PW300279    | GROUND WIRE,<br>COMPRESSOR              |     | EA  | Not available online / Call for pricing and availability                      |
| 21   | PW300280    | LOCK WASHER                             |     | EA  | Not available online / Call for pricing and availability                      |
| 22   | PW300281    | SCREW                                   |     | EA  | Not available online / Call for pricing and availability                      |
| 23   | part of #25 | Locknut                                 |     | EA  |   |
| 24   | part of #25 | Locknut                                 |     | EA  |   |





| Item      | Part No.    | Name   | Qty | Uom | NOTES   |
|-----------|-------------|--|-----|-----|---|
| 25        | PW300193    | COMPRESSOR ASSY (VUIM)<br>42245141                             |     | EA  |   |
| 26        | PW240007    | PTC STARTER (VUWC140)<br>42242427                              |     | EA  |   |
| 27        | PW300174    | BACK PANEL (VUIM150)<br>42242962                               |     | EA  | NO LONGER AVAILABLE   |
| 28        | PW300170    | POWER CORD CLAMP   |     | EA  | Not available online / Call for pricing and availability                      |
| 29        | part of #28 | Screw  |     | EA  |   |
| 31        | PW300173    | BASE PLATE (42242964)  |     | EA  |   |
| 32        | 028418-000  | WATER VALVE ASSEMBLY W/<br>SCREWS, OUTDOOR UNITS<br>(42249467) |     | EA  |   |
| 33        | 028417-000  | DRAIN VALVE  |     | EA  |   |
| 34        | PW200004    | SCREW LENS COVER<br>42243354                                   |     | EA  |   |
| 35        | PW200004    | SCREW LENS COVER<br>42243354                                   |     | EA  |   |
| 36        | PW300176    | TEE FITTING 42242967   |     | EA  |   |
| 37        | part of #36 | Hose Clamp   |     | EA  |   |
| 38        | PW300153    | POWER CORD (VUIM150)<br>42242963                               |     | EA  |   |
| 39        | PW300146    | BRACKET (VUIM150) 42242968                                     |     | EA  | NO LONGER AVAILABLE, Not available online / Call for pricing and availability |
| 40        | PW200004    | SCREW LENS COVER<br>42243354                                   |     | EA  |   |
| 41        | 022797-000  | ELECTRONIC CONTROL,<br>SATURN                                  |     | EA  |   |
| Not Shown | NOTE        | Before 08-08-07  |     | EA  |   |
| 41        | 017662-000  | ELECTRONIC CONTROL,<br>SATURN                                  |     | EA  |   |
| Not Shown | NOTE        | After 08-08-07   |     | EA  |   |
| 42        | PW300154    | TRANSFORMER (VUIM150)<br>42242973                              |     | EA  |   |
| 43        | PW300284    | COMPRESSOR OVERLOAD<br>(42244702)                              |     | EA  |   |
| 44        | PW300285    | SCREW (100 PER PACK)   |     | EA  |   |





| Item | Part No.   | Name                                  | Qty | Uom | NOTES                  |
|------|------------|---------------------------------------|-----|-----|------------------------|
| 45   | PW240008   | TERMINAL BLOCK VUWC140<br>42242407    |     | EA  |                        |
| 46   | PW300179   | U-CLIP W/SCREWS (VUIM150)<br>42243015 |     | EA  | NO LONGER<br>AVAILABLE |
| 47   | PW300192   | ACCESS PANEL ASSY (VUIM)<br>42243016  |     | EA  |                        |
| NI   | 065835-000 | S/A DRAIN HOSE & CLAMP                |     | EA  |                        |



Appendix A:Pages Index

|                              |   |
|------------------------------|---|
| DOOR ASSY .....              | 1 |
| EXTERIOR ASSEMBLY .....      | 2 |
| INTERNAL ASSY (VIEW 1) ..... | 3 |
| INTERNAL ASSY (VIEW 2) ..... | 4 |



Appendix B:Parts Index

|             |          |                     |
|-------------|----------|---------------------|
|             | PW300156 | 2, 3                |
| 000268-000  | PW300157 | 2                   |
| 006331-000  | PW300158 | 2                   |
| 011138-000  | PW300159 | 4                   |
| 017662-000  | PW300162 | 4                   |
| 022797-000  | PW300163 | 1, 2, 3, 3, 3, 3, 3 |
| 022828-000  | PW300167 | 1                   |
| 025147-000  | PW300170 | 4                   |
| 028417-000  | PW300173 | 4                   |
| 028418-000  | PW300174 | 4                   |
| 065835-000  | PW300175 | 3                   |
| B2096967    | PW300176 | 4                   |
| C9096967FG  | PW300179 | 4                   |
| C9096967GG  | PW300180 | 3                   |
| C9096967VB  | PW300183 | 3                   |
| G9096974FG  | PW300187 | 3                   |
| G9096974GG  | PW300188 | 3                   |
| G9096974VB  | PW300189 | 3                   |
| PE010058    | PW300190 | 3                   |
| PE010093    | PW300191 | 3                   |
| PE030001PVD | PW300192 | 4                   |
| PE930102    | PW300193 | 4                   |
| PE930102PVD | PW300195 | 3                   |
| PW200004    | PW300239 | 1                   |
| PW200031    | PW300241 | 1                   |
| PW200037    | PW300244 | 1                   |
| PW200038    | PW300245 | 1                   |
| PW220004    | PW300247 | 1                   |
| PW220010    | PW300248 | 1                   |
| PW240007    | PW300252 | 1                   |
| PW240008    | PW300253 | 1                   |
| PW300139    | PW300254 | 1                   |
| PW300141    | PW300265 | 1                   |
| PW300142    | PW300268 | 2                   |
| PW300143    | PW300269 | 2                   |
| PW300145    | PW300270 | 2                   |
| PW300146    | PW300272 | 2                   |
| PW300152    | PW300273 | 2                   |
| PW300153    | PW300275 | 2                   |
| PW300154    | PW300277 | 3                   |
| PW300155    | PW300279 | 4                   |



PW300280 ..... 4  
PW300281 ..... 4  
PW300284 ..... 4  
PW300285 ..... 4  
part of #12 ..... 4, 4, 4, 4  
part of #25 ..... 4, 4, 4, 4, 4, 4  
part of #28 ..... 4  
part of #3 ..... 4  
part of #36 ..... 4