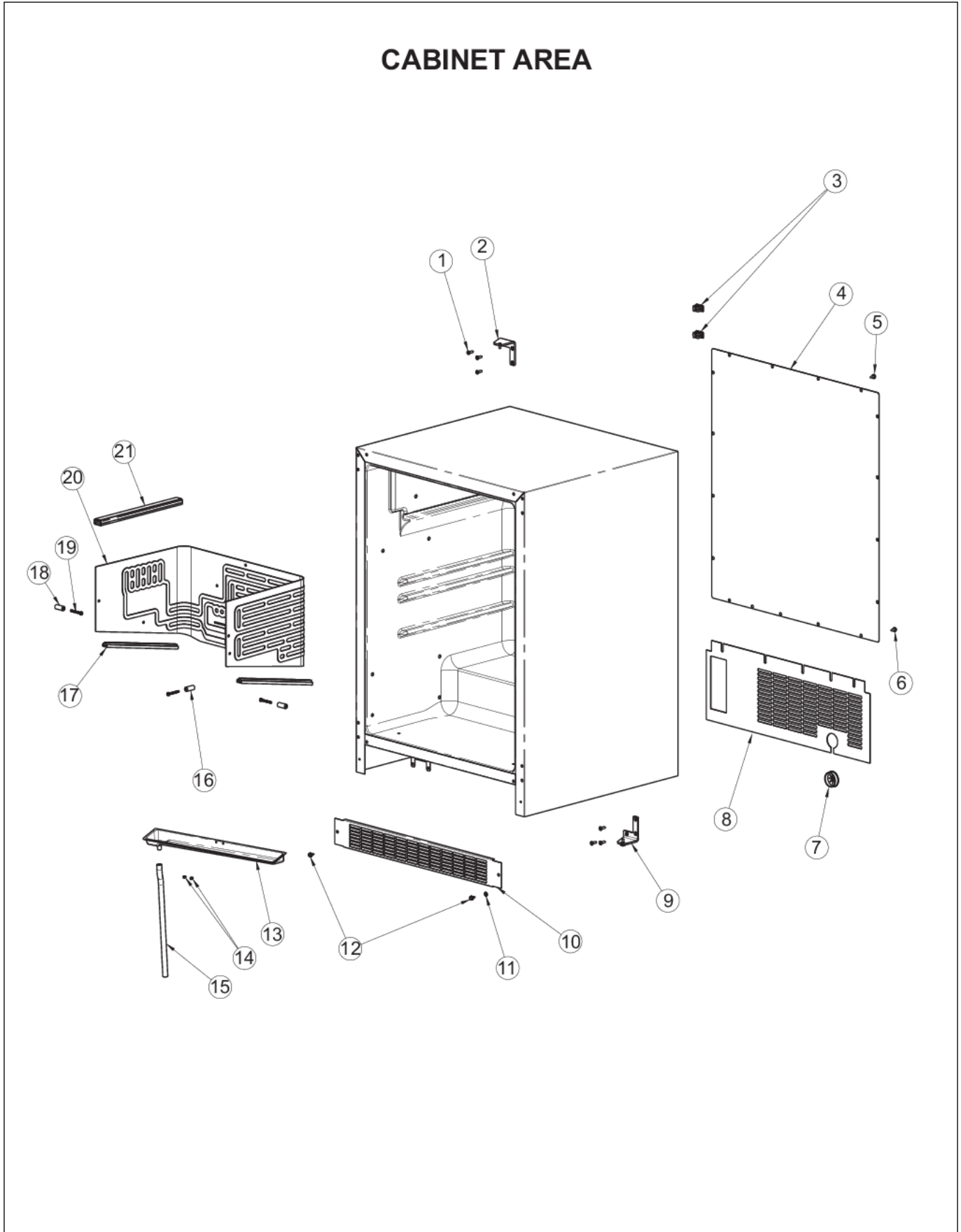


**VUAR143T**

CABINET AREA .....	1
CONTROL AREA .....	2
INTERIOR SHELVING .....	3
LOWER UNIT AREA .....	4
SOLID DOOR .....	5
Appendix A:Pages Index .....	A
Appendix B:Parts Index .....	B



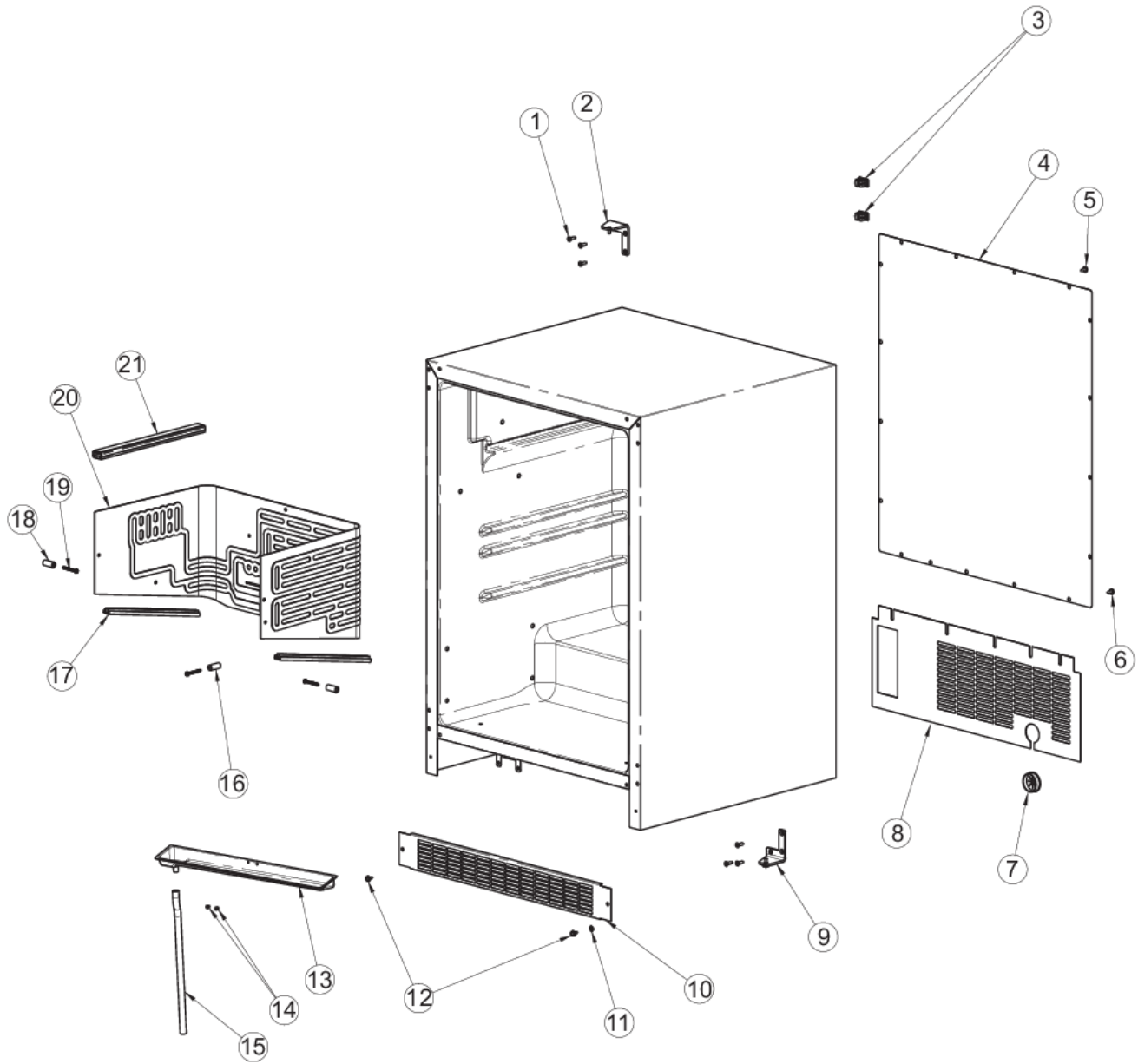
CABINET AREA





Item	Part No.	Name	Qty	Uom	NOTES
2	010221-000	DOOR HINGE, RIGHT TOP - SS	1	EA	
1	010223-000	SCREW, #10-32 X .75 COUNTERSUNK, SS	6	EA	
3	007640-000	PLASTIC WIRE CLIP	2	EA	Not available online / Call for pricing and availability
4	010064-000	SUBS TO 022732-000 - BACK PANEL - SS	1	EA	
5	010065-000	SUBS TO 028395-000 - SCREW - SS	12	EA	
6	010066-000	SCREW, #10 X 5/8 HEX HEAD, SS	5	EA	
7	009487-000	BUSHING	1	EA	
8	010063-000	BACK SHROUD - SS	1	EA	
9	010244-000	HINGE, RIGHT BOTTOM - SS	1	EA	
10	010070-000	LOUVERED GRILLE, SS	1	EA	
11	010069-000	LOCK WASHER	2	EA	
12	010068-000	SCREW - BK	2	EA	
13	PW210012	DRIP TRAY & 2 POP RVT(VUWC)42242603	1	EA	
14	PW200019	POP RIVET	2	EA	Not available online / Call for pricing and availability
15	PW240021	DRAIN TUBE (42242079)	1	EA	
16	PW200014	3/4" WHITE SPACER (41002929)	1	EA	NO LONGER AVAILABLE
17	005828-000	EVAPORATOR TRIM *WH* - 42241383	2	EA	Not available online / Call for pricing and availability
18	PW200009	EVAPORATOR SPACER	2	EA	Not available online / Call for pricing and availability
19	PW300267	DRAFT TOWER MOUNTING SCREW (41006739) VUBD	8	EA	
20	028390-000	EVAPORATOR ASSEMBLY	1	EA	
21	009497-000	HIGH VOLTAGE CONDUIT	1	EA	Not available online / Call for pricing and availability

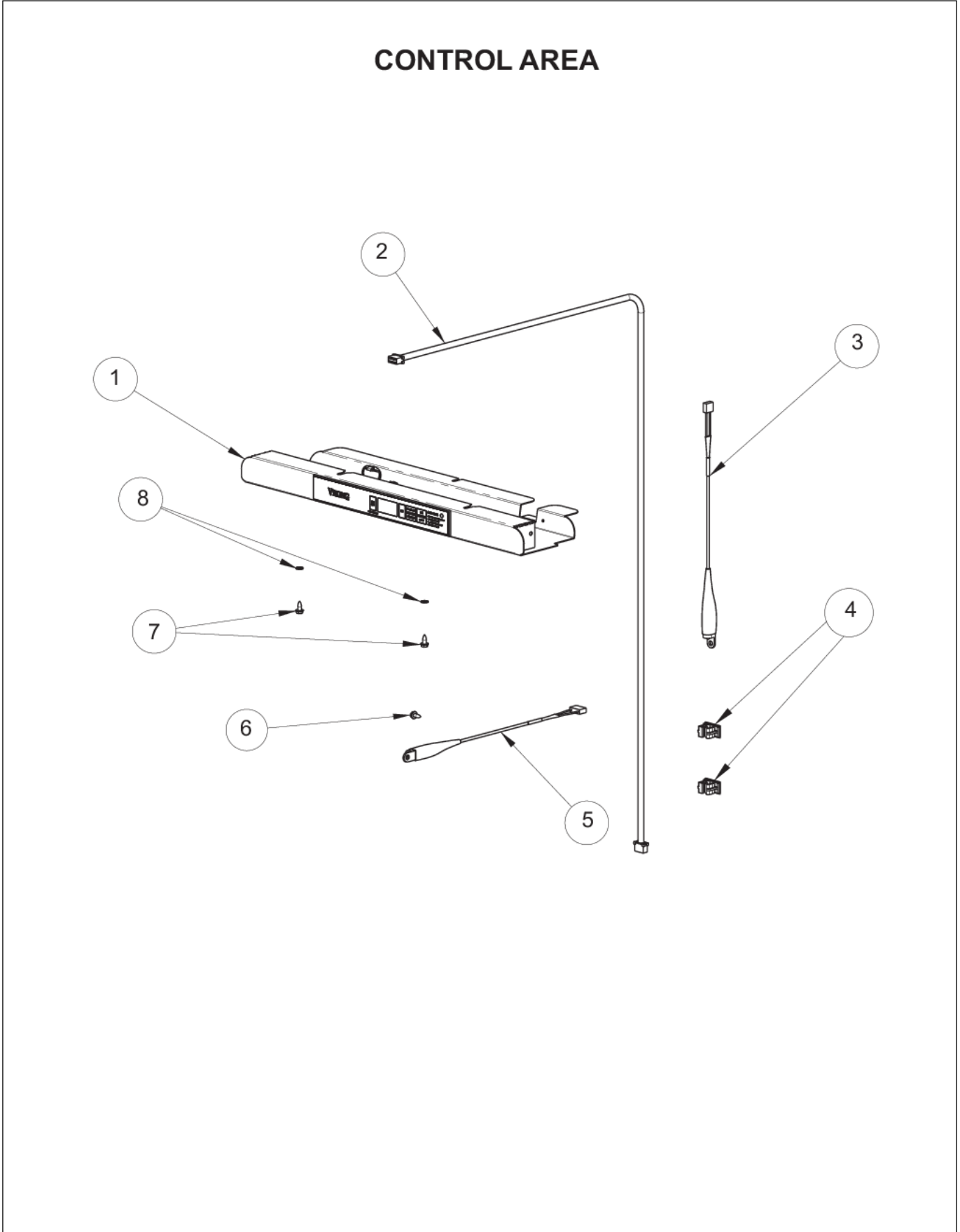
### CABINET AREA





Item	Part No.	Name	Qty	Uom	NOTES
NI	PW240014	LIGHT BULB 15 WATT VUWC 2240004A	1	EA	
NI	010053-000	LIGHT SOCKET	1	EA	
NI	010054-000	LIGHT HARNESS	1	EA	
NI	010031-000	LEVELING LEG	4	EA	

CONTROL AREA



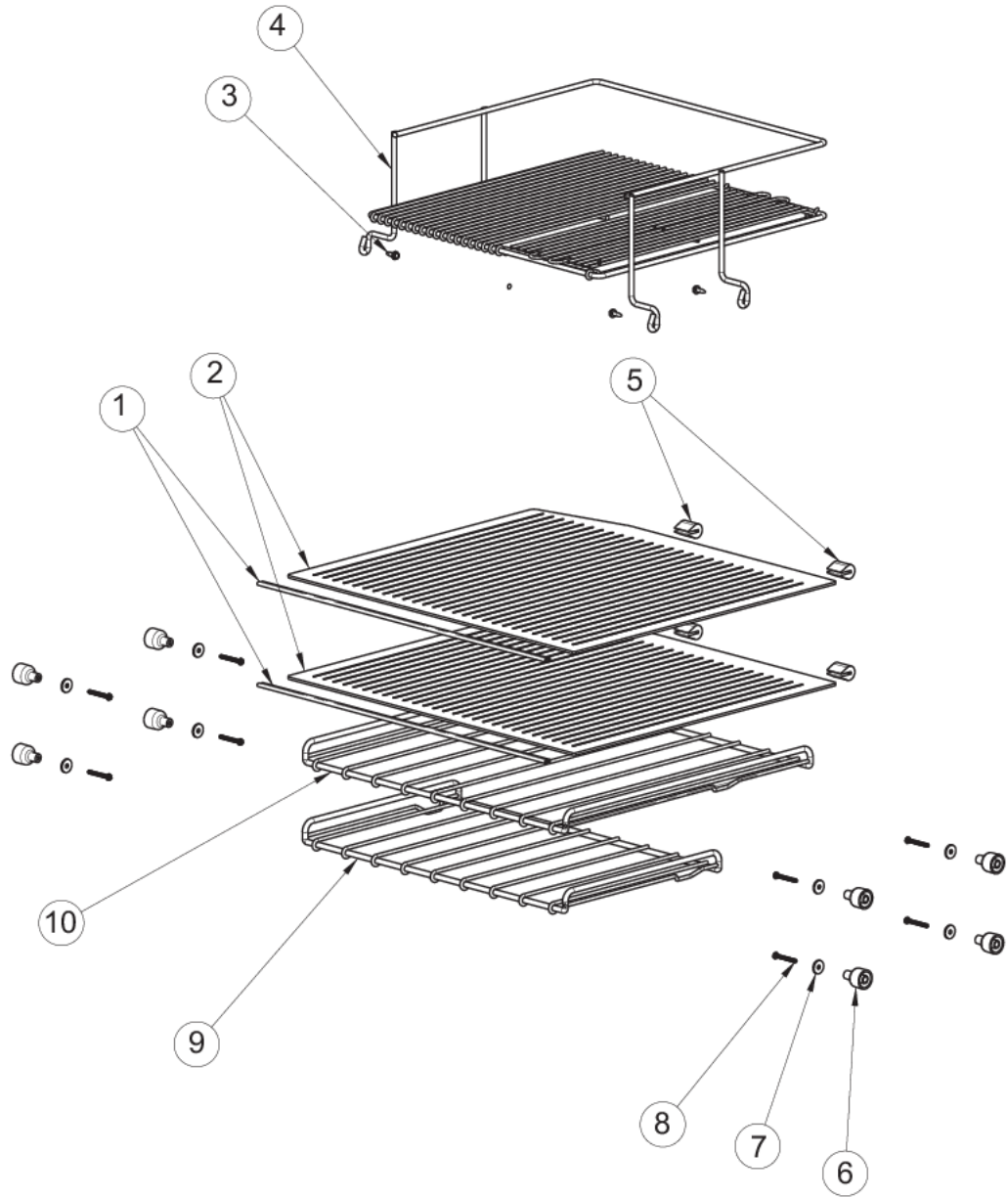




Item	Part No.	Name	Qty	Uom	NOTES
1	028589-000	DISPLAY ASM WH, 24" BC SOLID DR. T (INC. WIRE SHELF)	1	EA	
Not Shown	028593-000	DISPLAY ASM WH, 24" BC SOLID DR. T (UNITS BUILT AFTER 01-01-10 OR WIRE SHELF PREVIOUSLY INSTALLED)	1	EA	
2	009482-000	COMMUNICATION CABLE	1	EA	
3	009483-000	EVAPORATOR TEMPERATURE THERMISTOR	1	EA	
4	007640-000	PLASTIC WIRE CLIP	2	EA	Not available online / Call for pricing and availability
5	009484-000	DISPLAY TEMPERATURE THERMISTOR	1	EA	
6	010057-000	SCREW, #6-20 X .75 SS	1	EA	
7	009485-000	MACHINE SCREW - SS	2	EA	
8	009486-000	#10 EXTERNAL TOOTH STAR WASHER, SS	2	EA	Not available online / Call for pricing and availability

INTERIOR SHELVING

INTERIOR SHELVING

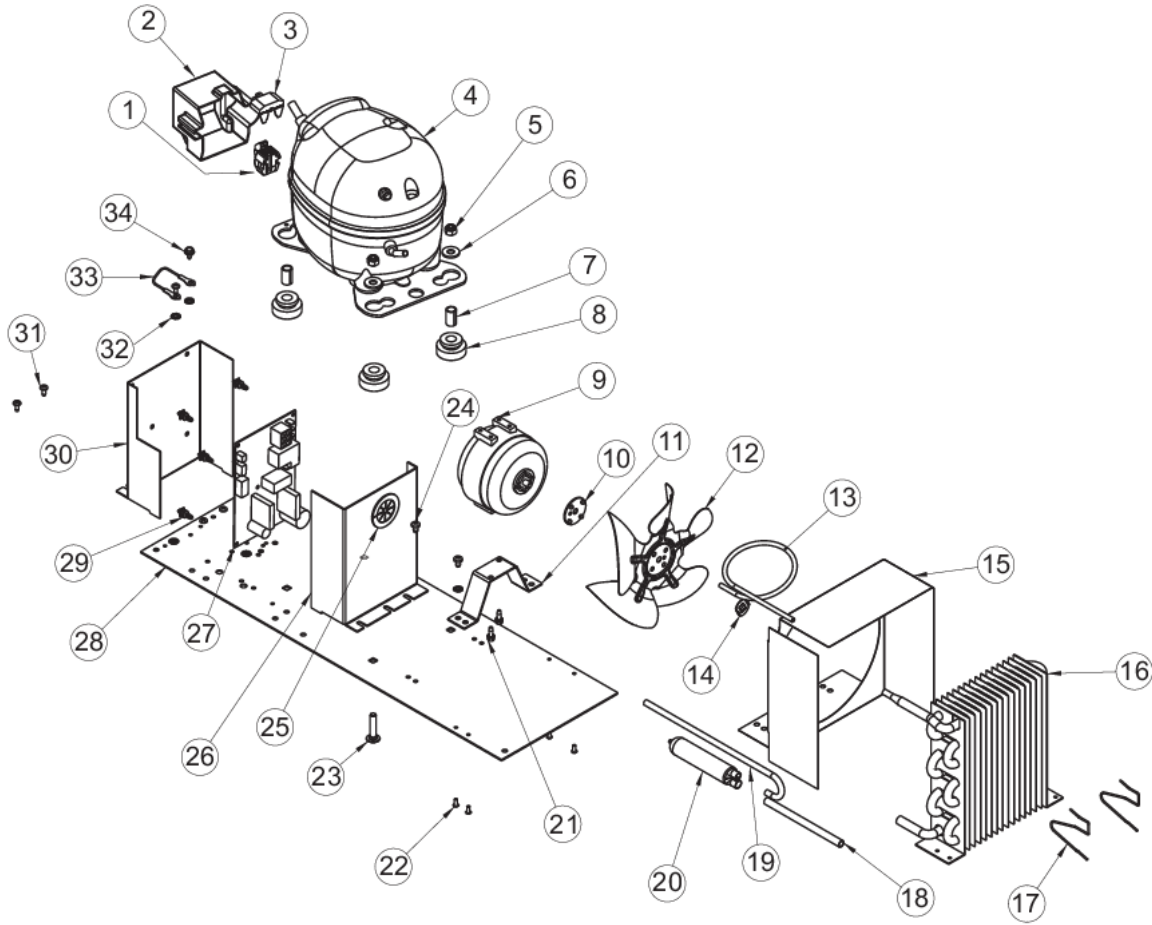




Item	Part No.	Name	Qty	Uom	NOTES
1	PW230059	FRONT GUARD TRIM (41005449)	2	EA	
2	PW210022	LARGE GLASS SHELF & TRIM 42243083	2	EA	
3	PW200015	SCREWS 08205079	4	EA	
4	009498-000	WIRE SHELF - CHROME	1	EA	
5	009500-000	1" BUMPER - WH	2	EA	
6	009502-000	SUPPORT MOUNTING PEG - WH	8	EA	Not available online / Call for pricing and availability
7	009504-000	SUPPORT PEG WASHER - WH	8	EA	Not available online / Call for pricing and availability
8	PW300267	DRAFT TOWER MOUNTING SCREW (41006739) VUBD	2	EA	
9	009505-000	UPPER WINE SHELF - CHROME	1	EA	
10	009506-000	LOWER WINE SHELF - CHROME	1	EA	

LOWER UNIT AREA

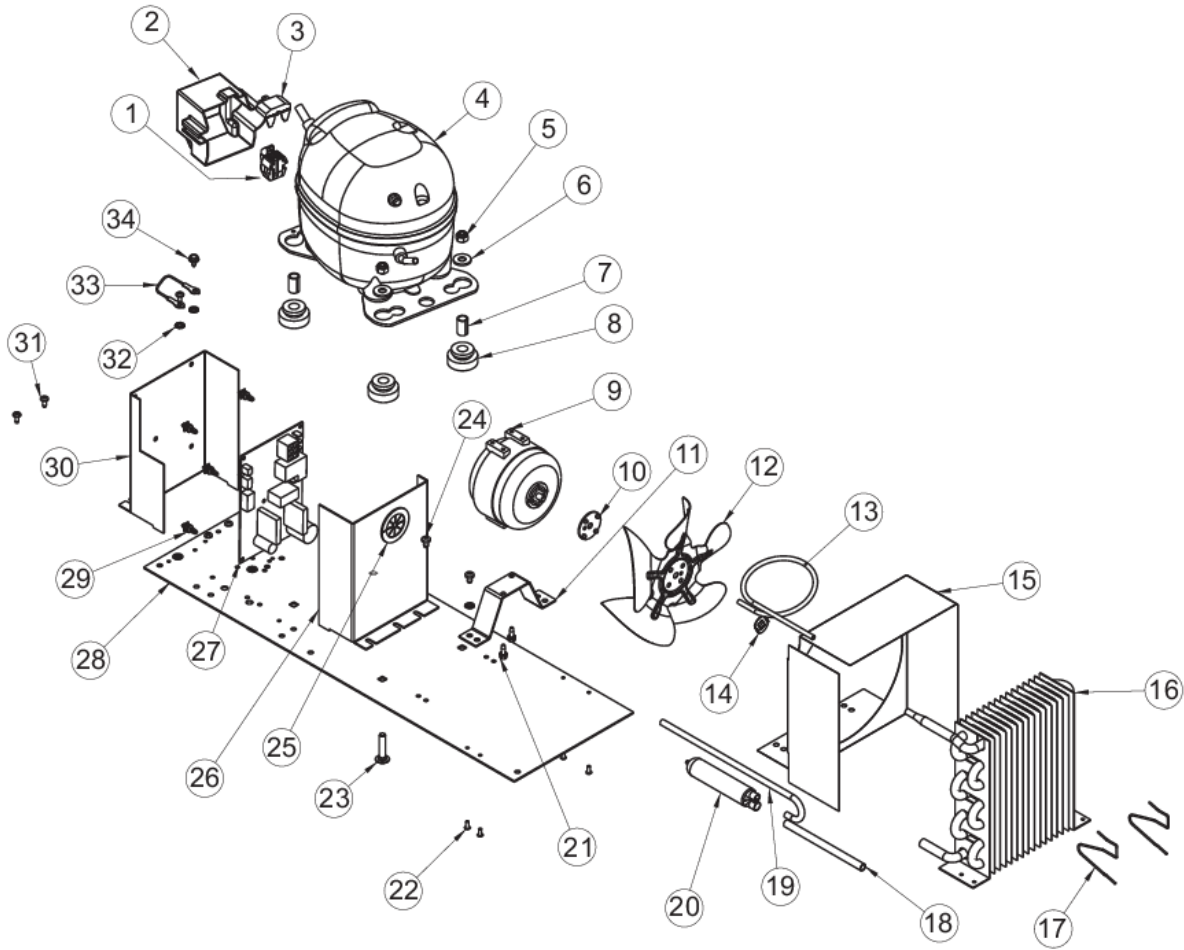
LOWER UNIT AREA





Item	Part No.	Name	Qty	Uom	NOTES
1	N/A	PTC RELAY (INCLUDED WITH COMPRESSOR)	1	EA	
2	N/A	RELAY COVER (INCLUDED WITH COMPRESSOR)	1	EA	
3	N/A	OVERLOAD (INCLUDED WITH COMPRESSOR)	1	EA	
4	009508-000	COMPRESSOR ASSEMBLY	1	EA	
5	PW200017	LOCK NUT .25-.20 UNC	3	EA	NO LONGER AVAILABLE, Not available online / Call for pricing and availability
6	PW200018	FLAT WASHER	4	EA	
7	010209-000	SLEEVE (INCLUDED WITH COMPRESSOR)	4	EA	Not available online / Call for pricing and availability
8	010208-000	SLEEVE (INCLUDED WITH COMPRESSOR)	4	EA	Not available online / Call for pricing and availability
9	PW240005	FAN/MTR ASSY COMPLETE VUWC	1	EA	
10	009831-000	FAN SILENCER	1	EA	
11	009633-000	FAN MOTOR BRACKET	1	EA	
12	PW200037	FAN BLADE	1	EA	
13	007638-000	COPPER TUBING	1	EA	Not available online / Call for pricing and availability
14	PW240005	FAN/MTR ASSY COMPLETE VUWC	1	EA	
15	PW210013	FAN SHROUD (VUWC140) 42241349	1	EA	NO LONGER AVAILABLE
16	PW300159	CONDENSER ASSY	1	EA	
17	009812-000	SHROUD CLIP	2	EA	
18	009810-000	DRYER TUBE	1	EA	
19	009808-000	COPPER TUBE (42247551)	1	EA	
20	PW240003	DRIER ASSY VUWC140	1	EA	
21	009509-000	#8-36 SCREW	3	EA	Not available online / Call for pricing and availability

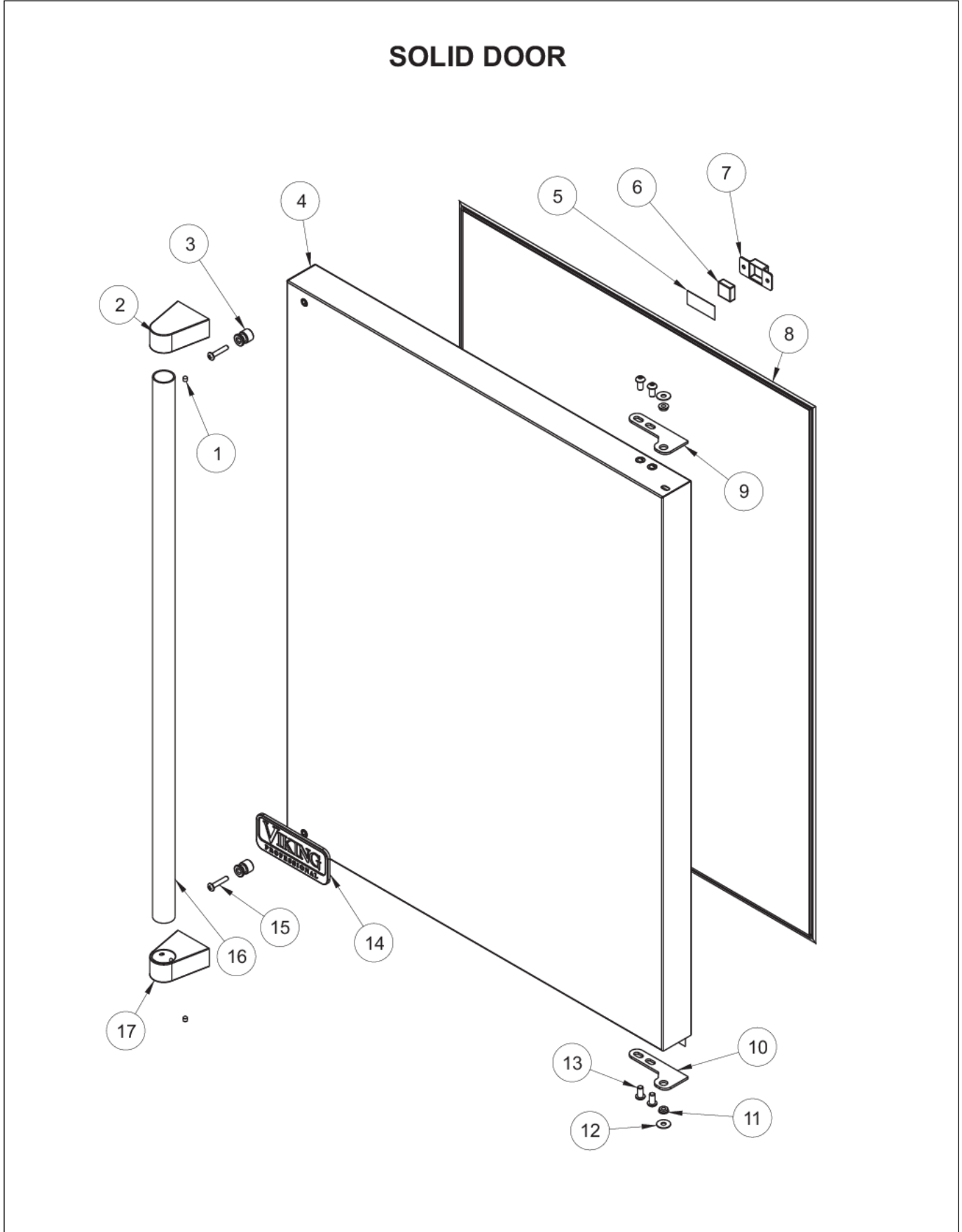
# LOWER UNIT AREA





Item	Part No.	Name	Qty	Uom	NOTES
22	PW200019	POP RIVET	4	EA	Not available online / Call for pricing and availability
23	PW200023	CARRIAGE BOLT	3	EA	NO LONGER AVAILABLE
24	PW200021	SCREW	4	EA	
25	009487-000	BUSHING	1	EA	
26	009805-000	OUTDOOR COVER BRKT	1	EA	
27	009511-000	ELECTRONIC CONTROL BOARD AND BRACKET ASM	1	EA	
28	PW210011	BASEPLATE (VUWC140)	1	EA	
29	009513-000	STANDOFF	5	EA	
30	009514-000	CONTROL BOARD MOUNTING BRACKET	1	EA	
31	PW200029	SCREW	4	EA	NO LONGER AVAILABLE
32	PW300274	WASHER, INDOOR	2	EA	NO LONGER AVAILABLE
33	PW300137	Ground Wire	1	EA	Not available online / Call for pricing and availability
34	PW200028	HEX HEAD SCREW	2	EA	
NI	PS100134	POWER CORD REF. DRAWER	1	EA	
NI	PS100023	RUN CAPACITOR (42245134) 152 WC	1	EA	

## SOLID DOOR







Item	Part No.	Name	Qty	Uom	NOTES
1	009644-000	SET SCREW	2	EA	
2	009669-000	END CAP W/SET SCREW	2	EA	
3	059239-000	MARVEL# 34360-002, STANDOFF, HANDLE	2	EA	
4	009526-000	DOOR ASSEMBLY - RH, WH DR, WH GKT	1	EA	Not available online / Call for pricing and availability
Not Shown	009527-000	DOOR ASSEMBLY - LH, WH DR, WH GKT	1	EA	Not available online / Call for pricing and availability
5	009762-000	3M TAPE, 1.75"	1	EA	
6	009759-000	DOOR SWITCH MAGNET	1	EA	
7	010668-000	RETAINER, MAGNET	1	EA	
8	PW230005	GASKET, DOOR (VUWC140) * 42241280	1	EA	
9	009760-000	HINGE ADAPTER, RIGHT TOP, SS	1	EA	
10	009757-000	HINGE ADAPTER, RIGHT BOTTOM,SS	1	EA	
11	009755-000	HINGE BUSHING	2	EA	
12	009781-000	INNER CHUTE DOOR SKIN	2	EA	Not available online / Call for pricing and availability
13	010212-000	SCREW, 1/4-20 SS	4	EA	
14	PW230007	NAMEPLATE, PRO	1	EA	
15	PW300163	SCREW (VUIM150) 42243357	2	EA	
16	009519-000	HANDLE TUBE, SS	1	EA	
17	010211-000	END CAP BOT W/SS	1	EA	



Appendix A:Pages Index

CABINET AREA .....	1
CONTROL AREA .....	2
INTERIOR SHELVING .....	3
LOWER UNIT AREA .....	4
SOLID DOOR .....	5



Appendix B:Parts Index

005828-000	1	010054-000	1
007638-000	4	010057-000	2
007640-000	1, 2	010063-000	1
009482-000	2	010064-000	1
009483-000	2	010065-000	1
009484-000	2	010066-000	1
009485-000	2	010068-000	1
009486-000	2	010069-000	1
009487-000	1, 4	010070-000	1
009497-000	1	010208-000	4
009498-000	3	010209-000	4
009500-000	3	010211-000	5
009502-000	3	010212-000	5
009504-000	3	010221-000	1
009505-000	3	010223-000	1
009506-000	3	010244-000	1
009508-000	4	010668-000	5
009509-000	4	028390-000	1
009511-000	4	028589-000	2
009513-000	4	028593-000	2
009514-000	4	059239-000	5
009519-000	5	PS100023	4
009526-000	5	PS100134	4
009527-000	5	PW200009	1
009633-000	4	PW200014	1
009644-000	5	PW200015	3
009669-000	5	PW200017	4
009755-000	5	PW200018	4
009757-000	5	PW200019	1, 4
009759-000	5	PW200021	4
009760-000	5	PW200023	4
009762-000	5	PW200028	4
009781-000	5	PW200029	4
009805-000	4	PW200037	4
009808-000	4	PW210011	4
009810-000	4	PW210012	1
009812-000	4	PW210013	4
009831-000	4	PW210022	3
010031-000	1	PW230005	5
010053-000	1	PW230007	5
		PW230059	3



PW240003 .....	4
PW240005 .....	4, 4
PW240014 .....	1
PW240021 .....	1
PW300137 .....	4
PW300159 .....	4
PW300163 .....	5
PW300267 .....	1, 3
PW300274 .....	4