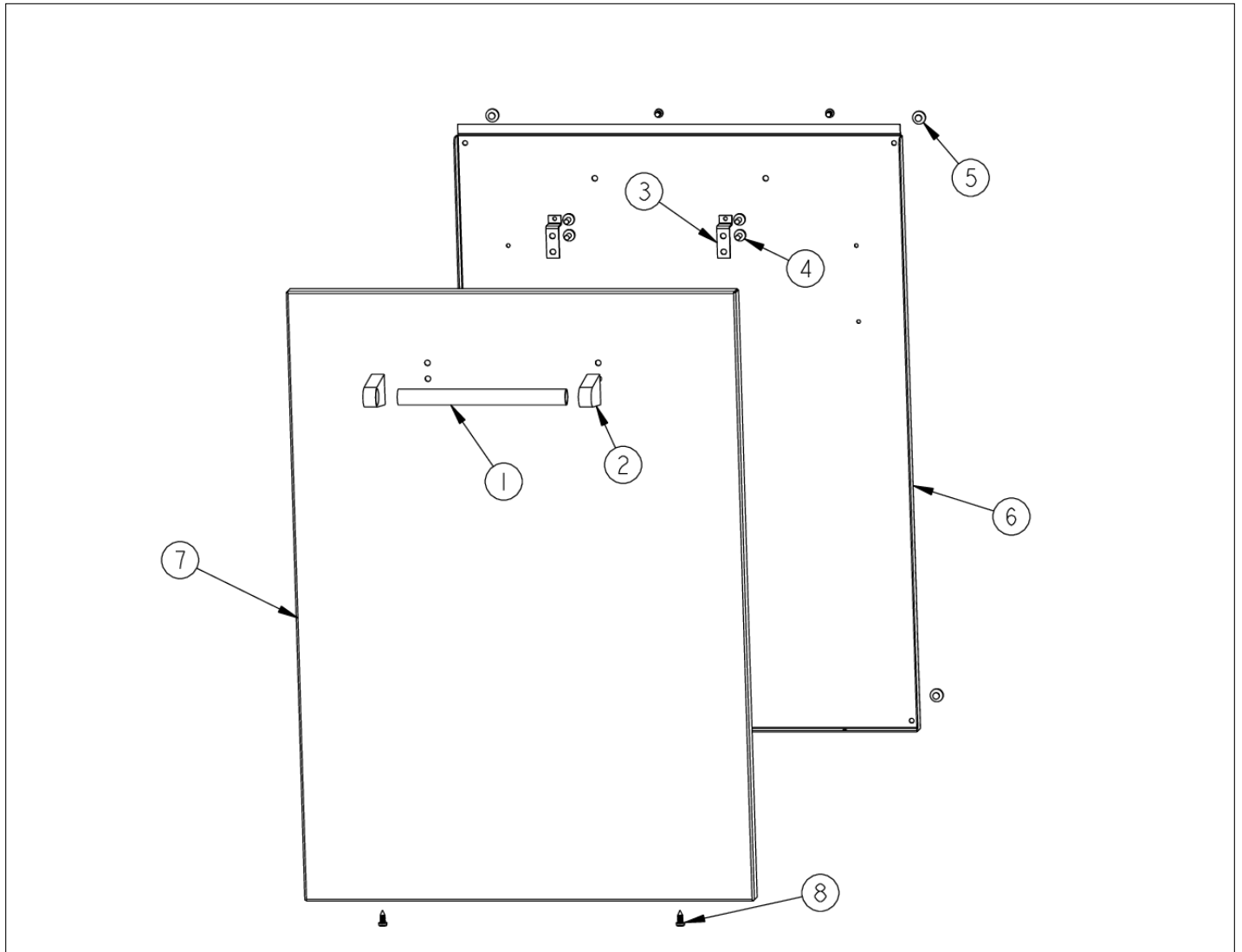


VTPO1810

DOOR ASSEMBLY	1
DRAWER ASSEMBLY	2
MAIN CABINET AREA	3
VTPO1810 Lower Unit Area	4
TRASH PULLOUT AREA	5
Appendix A:Pages Index	A
Appendix B:Parts Index	B

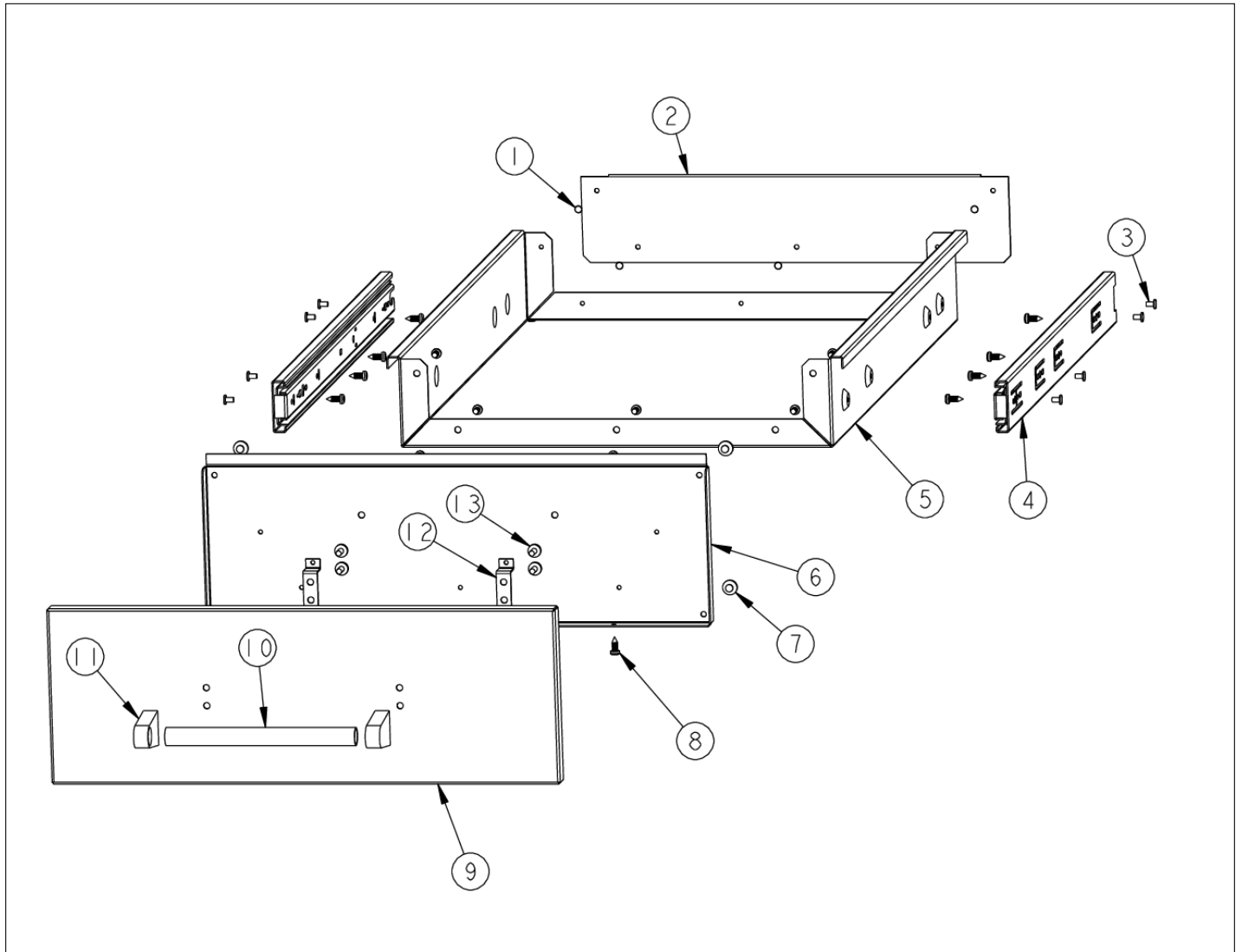
DOOR ASSEMBLY





Item	Part No.	Name	Qty	Uom	NOTES
1	PE030189	CABINET HANDLE	1	EA	
2	PE030187	HANDLE END CAP *CHROME* OUTDOOR CABINET	1	EA	
3	B20013950	HANDLE BRACKET (VBO/VTPO18)	1	EA	
4	PD020056	' #10-24 X 1/2" PH.TR. M.S. *SS*	1	EA	
5	PD040004	GROMMET BUMPER	1	EA	
6	B20014625	I/S DOOR (VTPO18)	1	EA	Not available online / Call for pricing and availability
7	B30014622	O/S DOOR PANEL (VBO/VTPO18)	1	EA	
8	PD020120	8 X 1/2 TEK SHEET METAL SCREW	1	EA	
NI	G32014626SS	DOOR ASSEMBLY (VTPO1810)	1	EA	NO LONGER AVAILABLE, Not available online / Call for pricing and availability

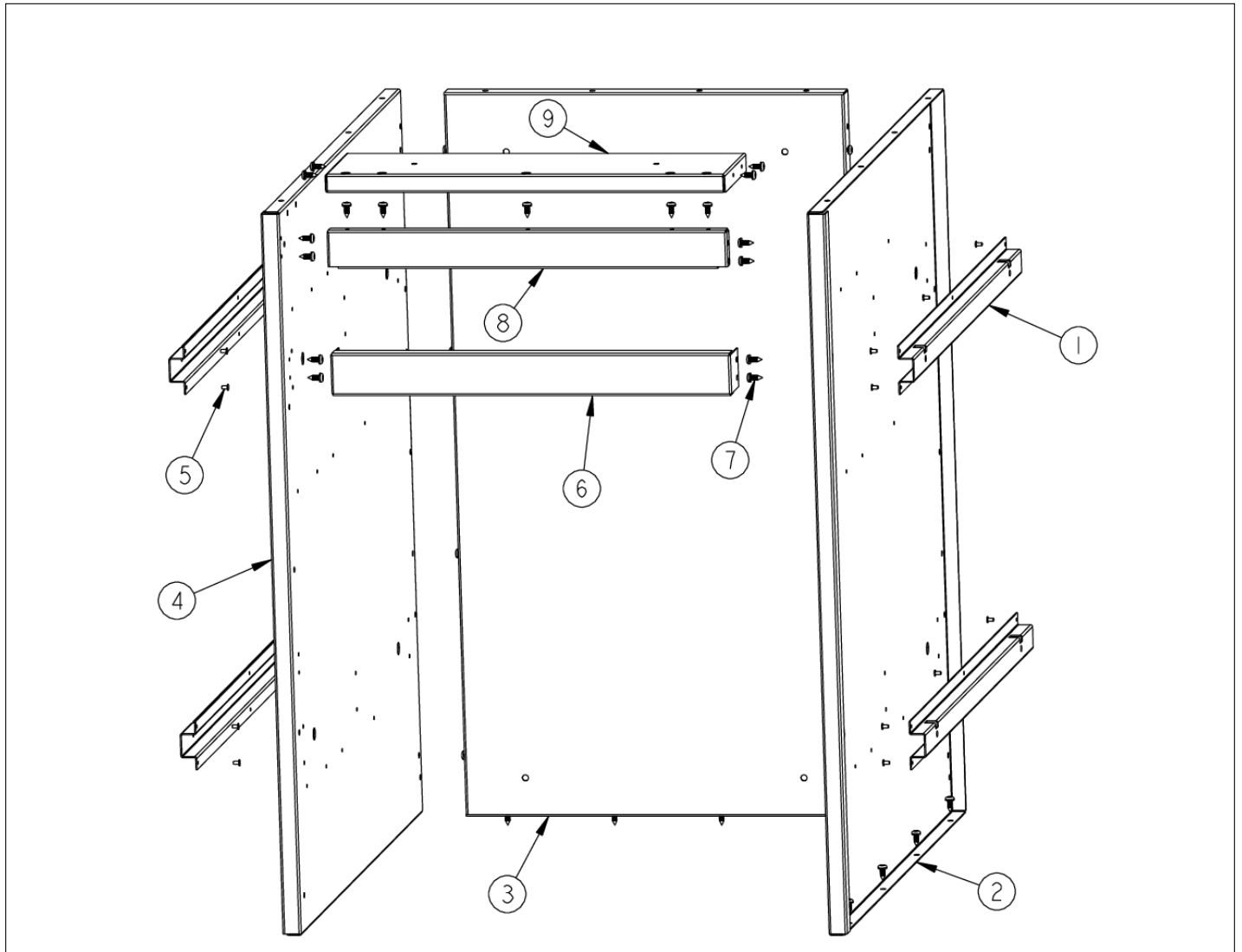
DRAWER ASSEMBLY





Item	Part No.	Name	Qty	Uom	NOTES
1	PC040014	POP RIVOT-SS42 *SS*	1	EA	
2	B20013969	TOP DRAWER REAR (VBO1830)	1	EA	NO LONGER AVAILABLE
3	PC040019	POP RIVET (0.125 GR X 0.156 DIA)	1	EA	
4	PC080010	SLIDE	1	EA	
5	B20013968	TOP DRAWER (VBO1830)	1	EA	
6	B20013966	TOP INNER DRAWER DOOR (VBO1830)	1	EA	
7	PD040004	GROMMET BUMPER	1	EA	
8	PD020120	8 X 1/2 TEK SHEET METAL SCREW	1	EA	
9	B30013965	TOP OUTER DRAWER DOOR (VBO1830)	1	EA	
10	PE030189	CABINET HANDLE	1	EA	
11	PE030187	HANDLE END CAP *CHROME* OUTDOOR CABINET	1	EA	
12	B20013950	HANDLE BRACKET (VBO/VTPO18)	1	EA	
13	PD020056	' #10-24 X 1/2" PH.TR. M.S. *SS*	1	EA	
NI	G32013967SS	TOP DRAWER ASSY (VBO1830)	1	EA	

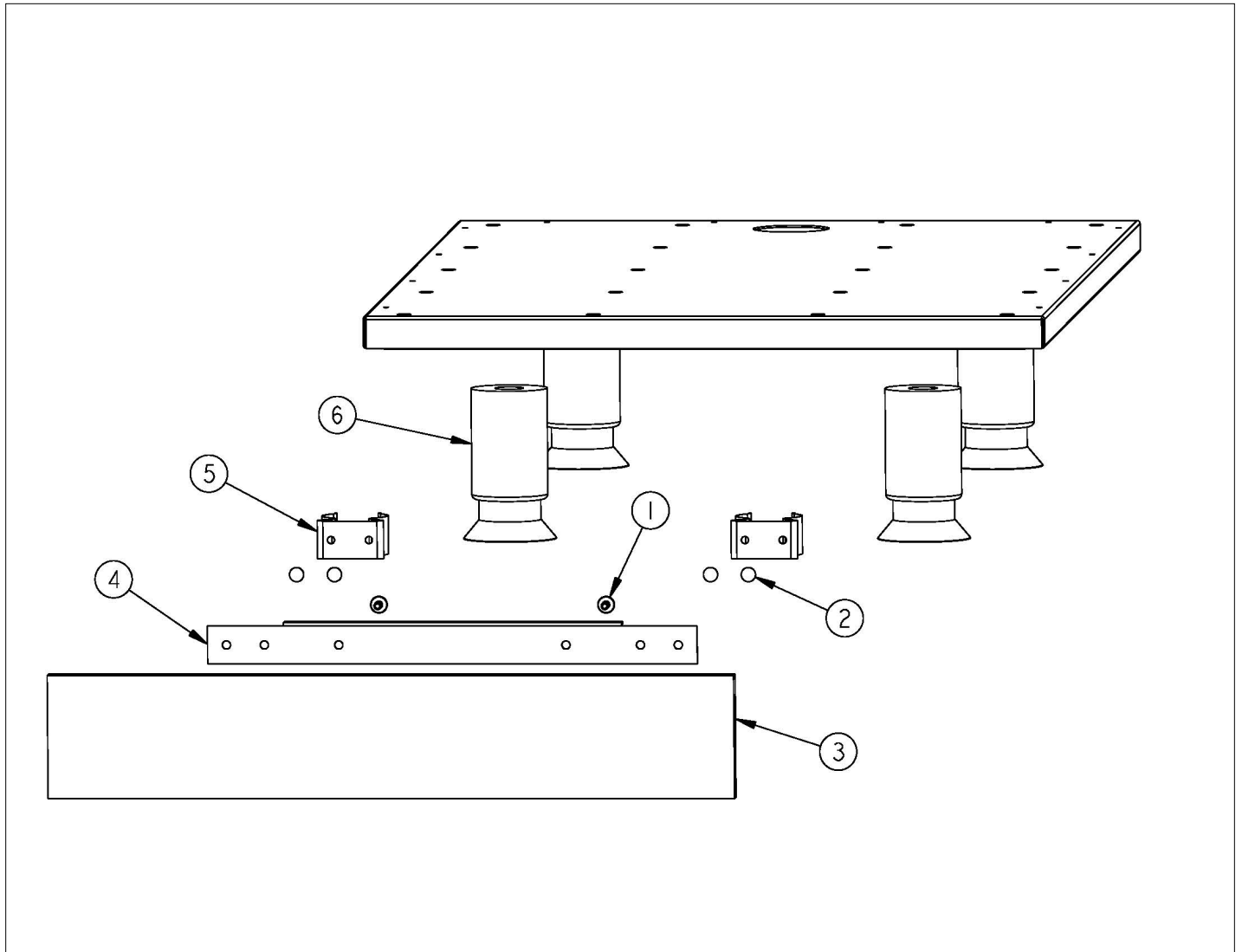
MAIN CABINET AREA





Item	Part No.	Name	Qty	Uom	NOTES
1	A20013956	MOUNT BRACKET (CABINETS)	1	EA	
2	B20013960	I/S SIDE RH (VBO1830)	1	EA	NO LONGER AVAILABLE
3	B20013962	REAR PANEL (VBO1830)	1	EA	NO LONGER AVAILABLE, Not available online / Call for pricing and availability
4	B20013961	I/S SIDE LH (VBO1830)	1	EA	
5	PC040014	POP RIVOT-SS42 *SS*	1	EA	
6	B20013964	DRAWER DIVIDER (VBO1830)	1	EA	NO LONGER AVAILABLE, Not available online / Call for pricing and availability
7	PD020055	' #10 X 1/2" PAN PHIL. TEK.*SS*	1	EA	
8	B20014605	TOP SUPPORT (VBO1830)	1	EA	NO LONGER AVAILABLE, Not available online / Call for pricing and availability
9	B20013963	TOP PANEL (VBO1830)	1	EA	NO LONGER AVAILABLE, Not available online / Call for pricing and availability

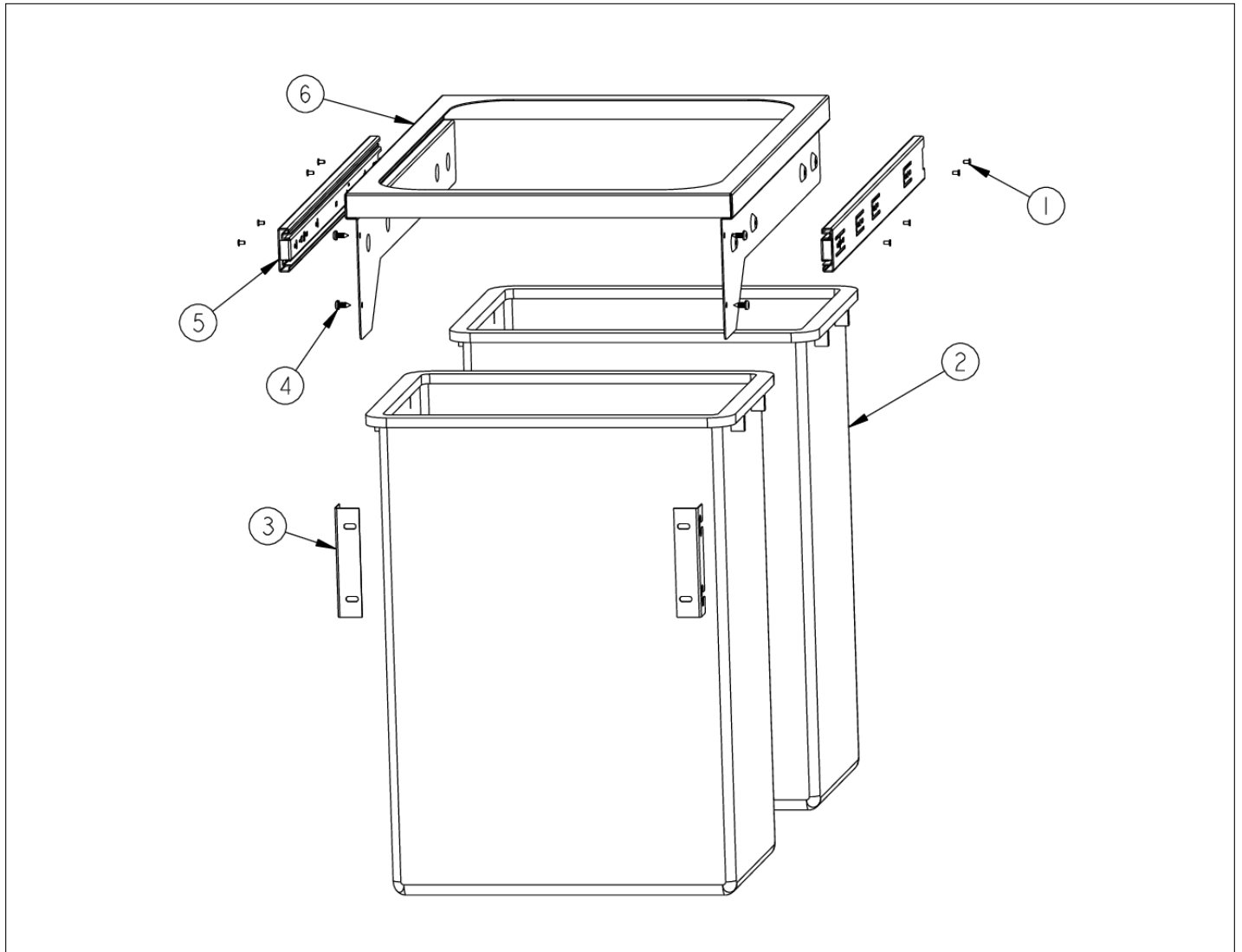
VTPO1810 Lower Unit Area





Item	Part No.	Name	Qty	Uom	NOTES
1	PD020002	10 X 1/2 PH.TR.HD.SMS.	1	EA	
2	PC040003	POP RIVET - SB64 3/16"DIA.X 3/8"	1	EA	
3	PK030482	18" KICK PLATE 18.125" X 3.250"	1	EA	
4	A20014679	18" KICK PLATE MOUNT BRKT	1	EA	
5	PD030002	LOWER ACC PAN SPRING CLAMP (SYWE1)	1	EA	
6	PC030017	4" LEG ASSY	1	EA	
NI	G32014840	KICK PLATE ASSEMBLY (VBP18)	1	EA	
Not Shown	NOTE	(INC. ITEMS #1 THROUGH #5)		EA	

TRASH PULLOUT AREA





Item	Part No.	Name	Qty	Uom	NOTES
1	PC040019	POP RIVET (0.125 GR X 0.156 DIA)	1	EA	
2	PM010586	18" OUTDOOR TRASH CAN (CABINETS)	1	EA	
3	B20014627	TRASH CAN SLIDE PLATE (VTP1810)	1	EA	
4	PD020055	' #10 X 1/2" PAN PHIL. TEK.*SS*	1	EA	
5	PC080010	SLIDE	1	EA	
6	B20014899	TRASH CAN MOUNT PLATE (VTPO1810)	1	EA	



Appendix A:Pages Index

DOOR ASSEMBLY	1
DRAWER ASSEMBLY	2
MAIN CABINET AREA	3
TRASH PULLOUT AREA	5
VTPO1810 Lower Unit Area	4



Appendix B:Parts Index

A20013956	3
A20014679	4
B20013950	1, 2
B20013960	3
B20013961	3
B20013962	3
B20013963	3
B20013964	3
B20013966	2
B20013968	2
B20013969	2
B20014605	3
B20014625	1
B20014627	5
B20014899	5
B30013965	2
B30014622	1
G32013967SS	2
G32014626SS	1
G32014840	4
PC030017	4
PC040003	4
PC040014	2, 3
PC040019	2, 5
PC080010	2, 5
PD020002	4
PD020055	3, 5
PD020056	1, 2
PD020120	1, 2
PD030002	4
PD040004	1, 2
PE030187	1, 2
PE030189	1, 2
PK030482	4
PM010586	5