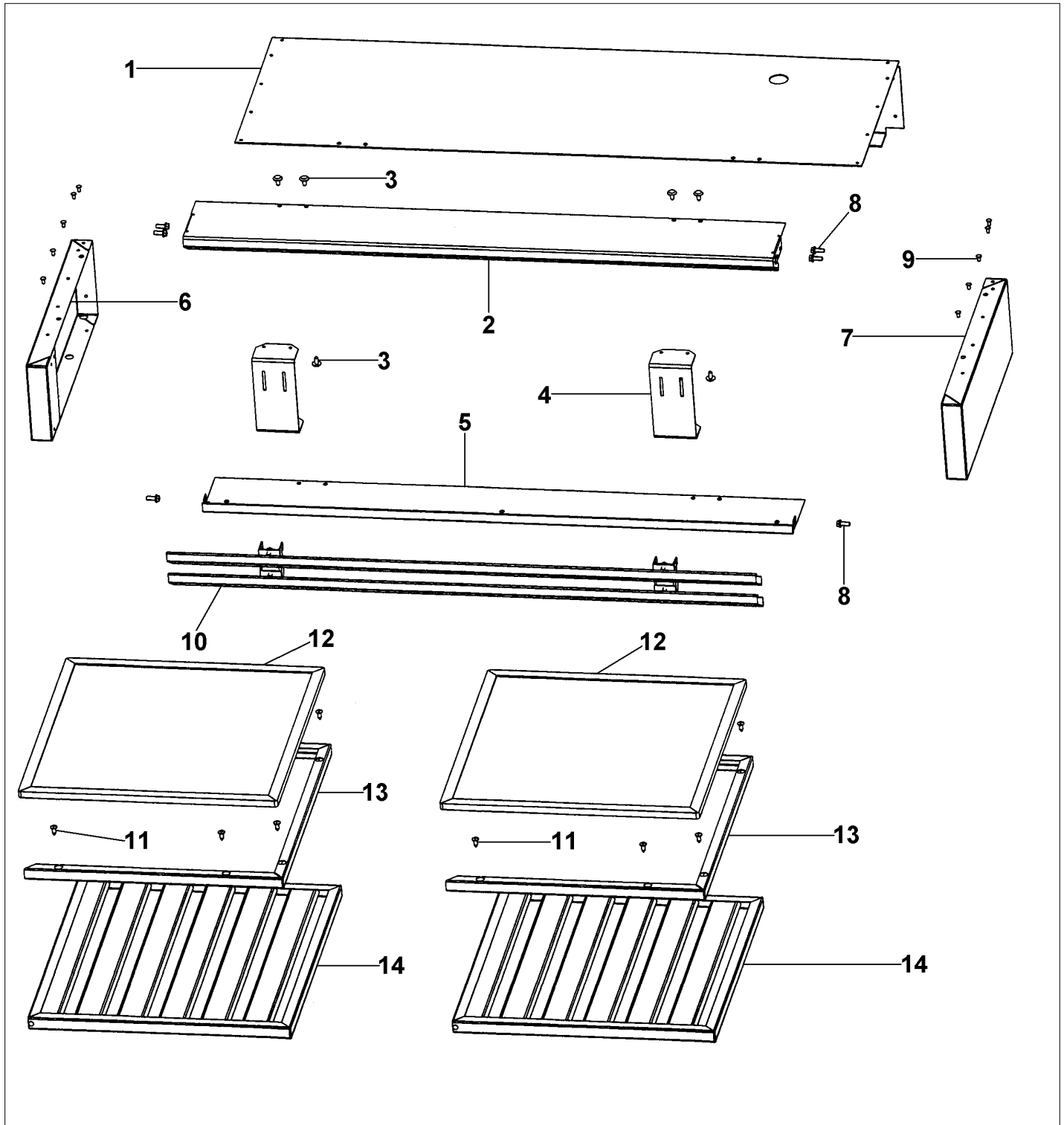


VRK30

UNIT COMPONENTS	1
Appendix A:Pages Index	A
Appendix B:Parts Index	B

UNIT COMPONENTS





Item	Part No.	Name	Qty	Uom	NOTES
1	A20010230	TOP/REAR (VRK30)	1	EA	NO LONGER AVAILABLE, Not available online / Call for pricing and availability
2	B20010229	TOP LOUVER (VRK30)	1	EA	Not available online / Call for pricing and availability
3	PD020032	SRW-8(A)X3/8"PH.WFR HD 7/16DIA*NICL	1	EA	
4	A20010225	MIDDLE LOUVER MOUNT BRKT	1	EA	NO LONGER AVAILABLE
5	B20010227	BOTTOM LOUVER (VRK30)	1	EA	NO LONGER AVAILABLE
6	B20010224	LH SIDE (VRK30/36)	1	EA	NO LONGER AVAILABLE
7	B20010223	RH SIDE (VRK30/36)	1	EA	Not available online / Call for pricing and availability
8	M0220417	SCREW-TC	1	EA	
9	PC040010	POP RIVET (.063/GR -.125) GAMD42-A	1	EA	
10	G30010256	MIDDLE LOUVER ASSEMBLY (VRK30)	1	EA	
11	PD020100	#8 X 7/16 PHILLIP HD KNIFE SCREW	1	EA	
12	CFV13	REPLACEMENT CHARCOAL FILTERS (VRK30/36)	1	EA	
13	011632-000	UPPER CHARCOAL FILTER CHANNEL	1	EA	
Not Shown	011633-000	LOWER CHARCOAL FILTER CHANNEL	1	EA	
14	N/A	BAFFLE FILTER ASSEMBLY	1	EA	
Not Shown	NOTE	(PART OF HOOD AND NOT VRK)		EA	



Appendix A:Pages Index

UNIT COMPONENTS 1



Appendix B:Parts Index

011632-000	1
011633-000	1
A20010225	1
A20010230	1
B20010223	1
B20010224	1
B20010227	1
B20010229	1
CFV13	1
G30010256	1
M0220417	1
PC040010	1
PD020032	1
PD020100	1