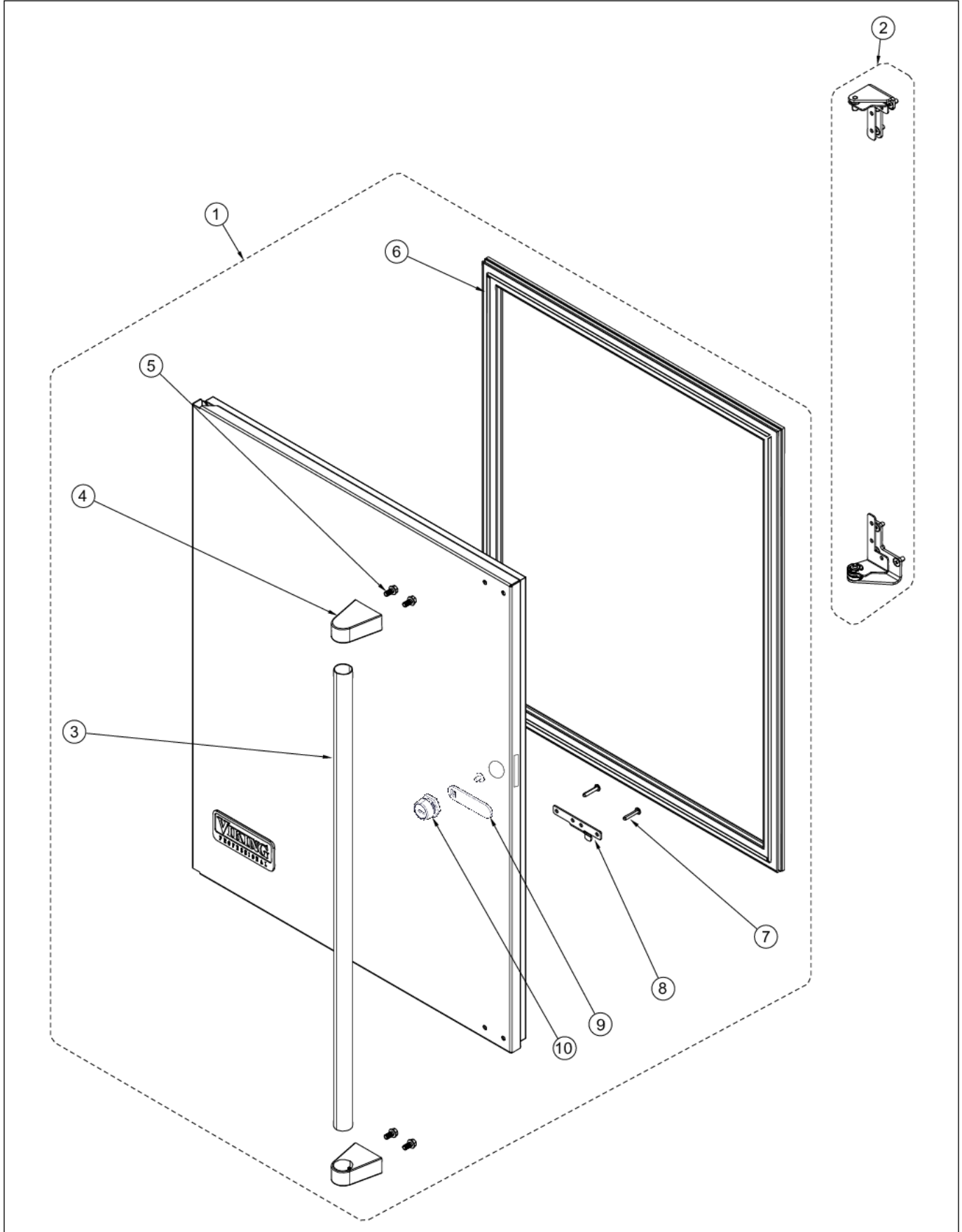


VRCO1240DLSS

DOOR AND HINGE ASSY	1
INTERIOR COMPONENTS	2
REAR COMPONENTS	3
SHELF ASSEMBLY	4
WIRING DIAGRAM	5
Appendix A:Pages Index	A
Appendix B:Parts Index	B

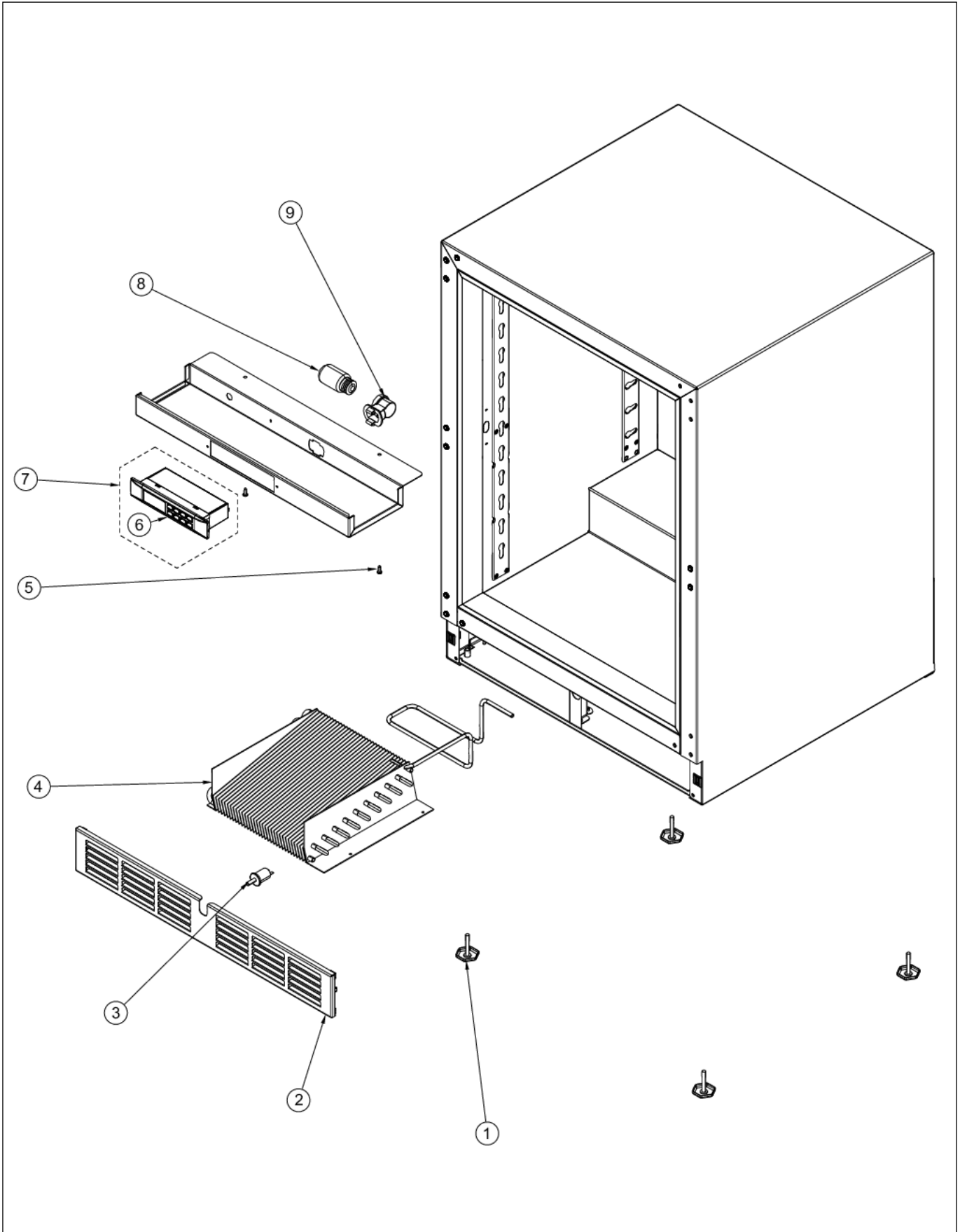
DOOR AND HINGE ASSY





Item	Part No.	Name	Qty	Uom	NOTES
1	033087-000	RD-VK-24-LL1 FULL SS DOOR PANEL ASSY with lock	1	EA	
2	033020-000	HINGE KIT, LH	1	EA	
3	033017-000	HANDLE	1	EA	
4	033016-000	HANDLE END CAP	2	EA	
5	033018-000	SCREW, HANDLE MOUNTING	4	EA	
6	032972-000	DOOR GASKET, 24"	1	EA	
7	033015-000	PLUNGER FASTENER	2	EA	
8	032973-000	PLUNGER BRACKET	1	EA	
9	033091-000	LONG CAM	1	EA	
10	033089-000	LOCK ASSEMBLY, RH	1	EA	

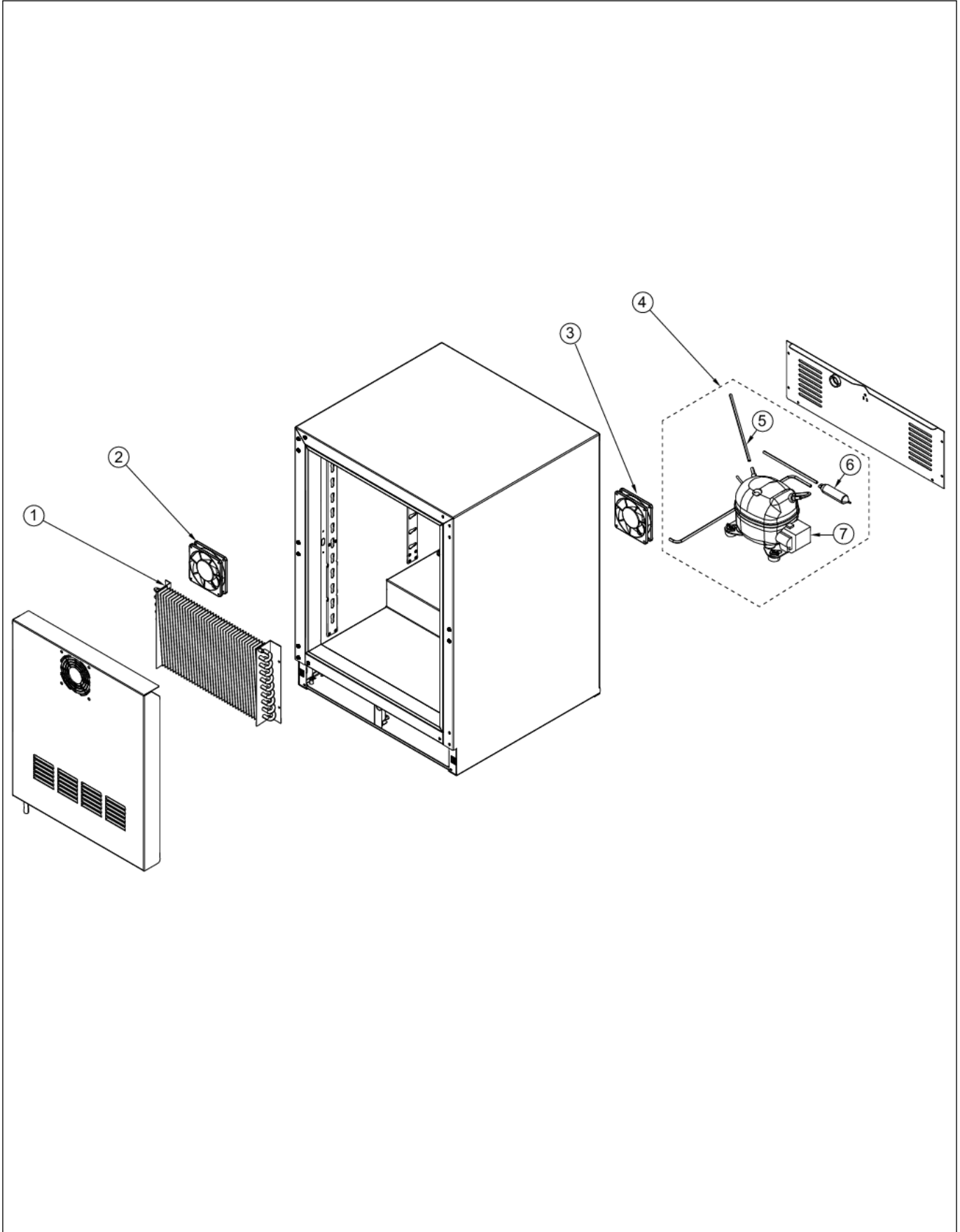
INTERIOR COMPONENTS





Item	Part No.	Name	Qty	Uom	NOTES
1	033033-000	LEVELLING LEG	4	EA	
2	033092-000	GRILLE ASSEMBLY. 24"	1	EA	
3	033040-000	DOOR SWITCH	1	EA	
4	033041-000	CONDENSER	1	EA	
5	033024-000	FASTENER, CONTROL MOUNTING	2	EA	
6	033023-000	CONTROLLER FACE PLATE	1	EA	
7	033077-000	CONTROLLER ASSY	1	EA	
8	033026-000	LIGHT BULB	1	EA	
9	033027-000	LIGHT SOCKET	1	EA	
NI	033028-000	HARNESS, CONTROLLER	1	EA	
NI	033039-000	HARNESS, MACHINE COMPARTMENT	1	EA	
NI	033025-000	SENSOR	1	EA	
NI	051914-000	LEFT LOCK BRACKET	1	EA	

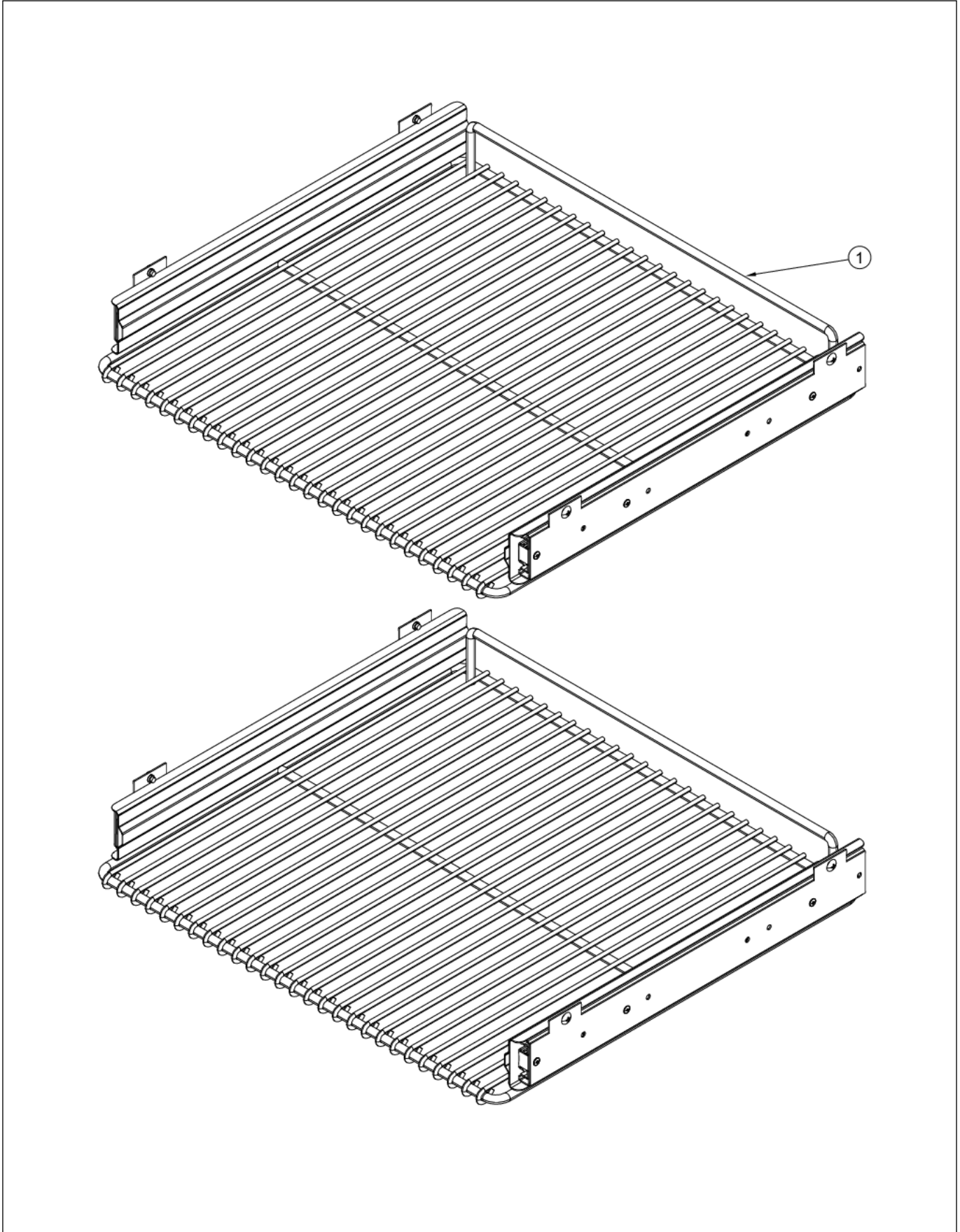
REAR COMPONENTS





Item	Part No.	Name	Qty	Uom	NOTES
1	033029-000	EVAP ASSEMBLY	1	EA	
2	033038-000	EVAPORATOR / CONDENSER FAN MOTOR	1	EA	
3	033038-000	EVAPORATOR / CONDENSER FAN MOTOR	1	EA	
4	033034-000	COMPRESSOR KIT	1	EA	
5	033037-000	PROCESS TUBE	2	EA	
6	033035-000	DRIER	1	EA	
7	033036-000	COMP. START COMPONENTS	1	EA	
NI	033031-000	HARNESS, FAN MOTOR	1	EA	
NI	033042-000	POWER CORD	1	EA	

SHELF ASSEMBLY

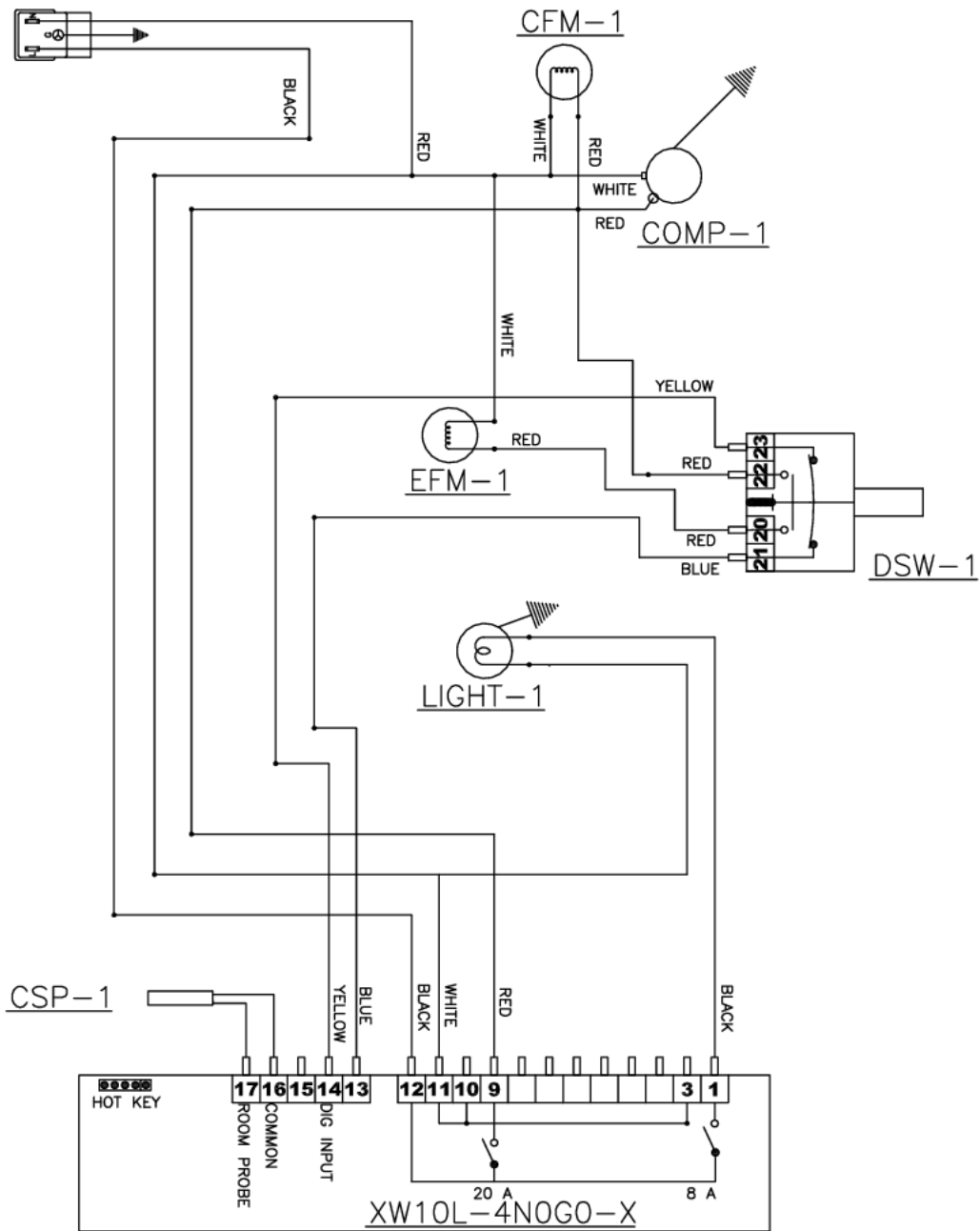




Item	Part No.	Name	Qty	Uom	NOTES
1	033049-000	SHELF ASSEMBLY, 24"	2	EA	

WIRING DIAGRAM

VIKING UC PRODUCT



- XW10L--REFRIGERATION SYSTEM CONTROLLER
- DSW-1--LIGHT AND EVAP FAN MOTOR DOOR SWITCH
- LIGHT 1--COMPARTMENT LIGHT
- EFM 1--EVAPORATOR FAN MOTOR
- CSP-1--REFRIGERATED COMPARTMENT 1 SENSOR PROBE
- CFM-1--CONDENSER FAN MOTOR



Appendix A:Pages Index

DOOR AND HINGE ASSY	1
INTERIOR COMPONENTS	2
REAR COMPONENTS	3
SHELF ASSEMBLY	4
WIRING DIAGRAM	5



Appendix B:Parts Index

032972-000 1
032973-000 1
033015-000 1
033016-000 1
033017-000 1
033018-000 1
033020-000 1
033023-000 2
033024-000 2
033025-000 2
033026-000 2
033027-000 2
033028-000 2
033029-000 3
033031-000 3
033033-000 2
033034-000 3
033035-000 3
033036-000 3
033037-000 3
033038-000 3, 3
033039-000 2
033040-000 2
033041-000 2
033042-000 3
033049-000 4
033077-000 2
033087-000 1
033089-000 1
033091-000 1
033092-000 2
051914-000 2