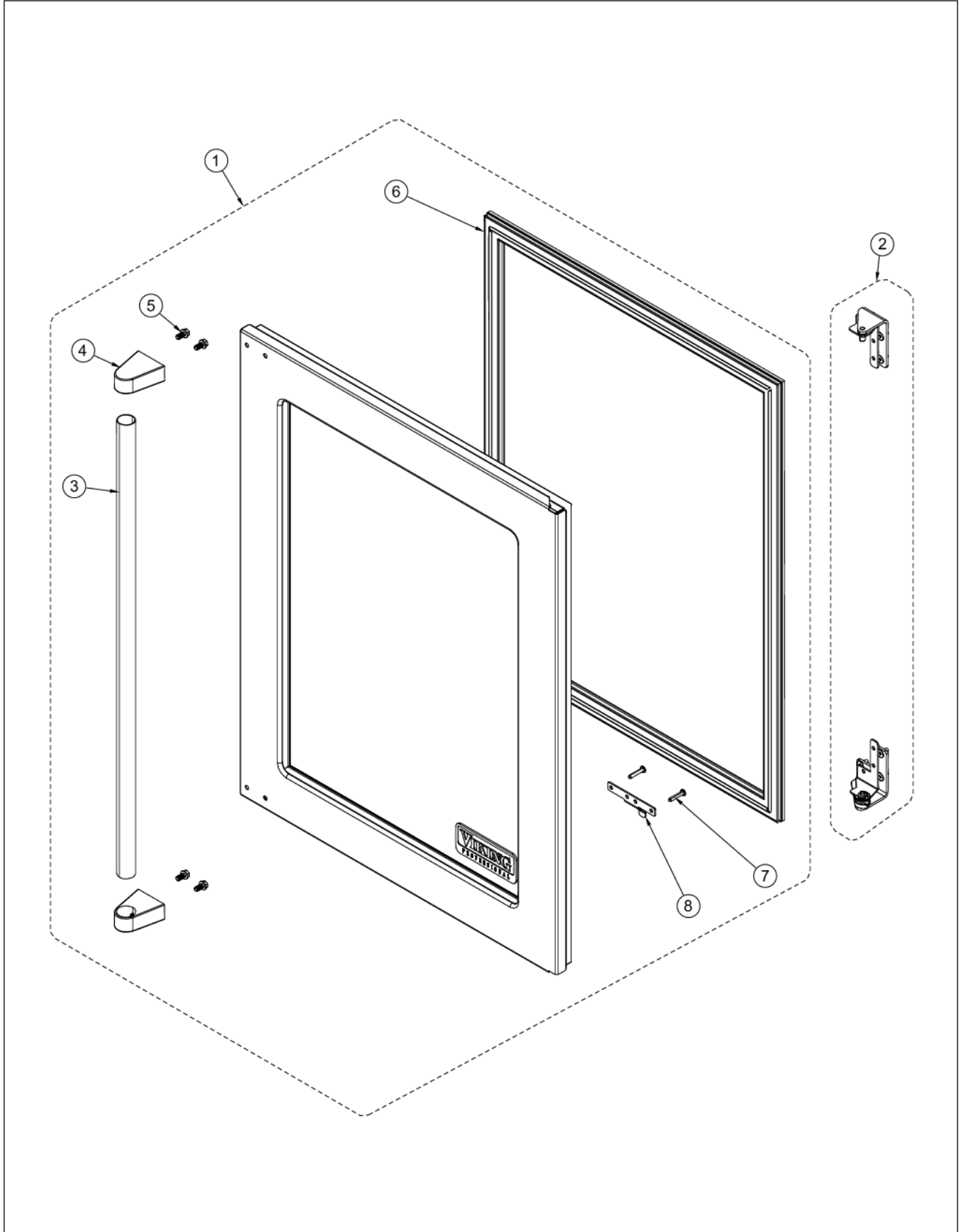


# VRCI1240GRSS

DOOR ASSEMBLY .....	1
INTERIOR COMPONENTS .....	2
REAR COMPONENTS .....	3
SHELF ASSEMBLY .....	4
WIRING DIAGRAM .....	5
Appendix A:Pages Index .....	A
Appendix B:Parts Index .....	B



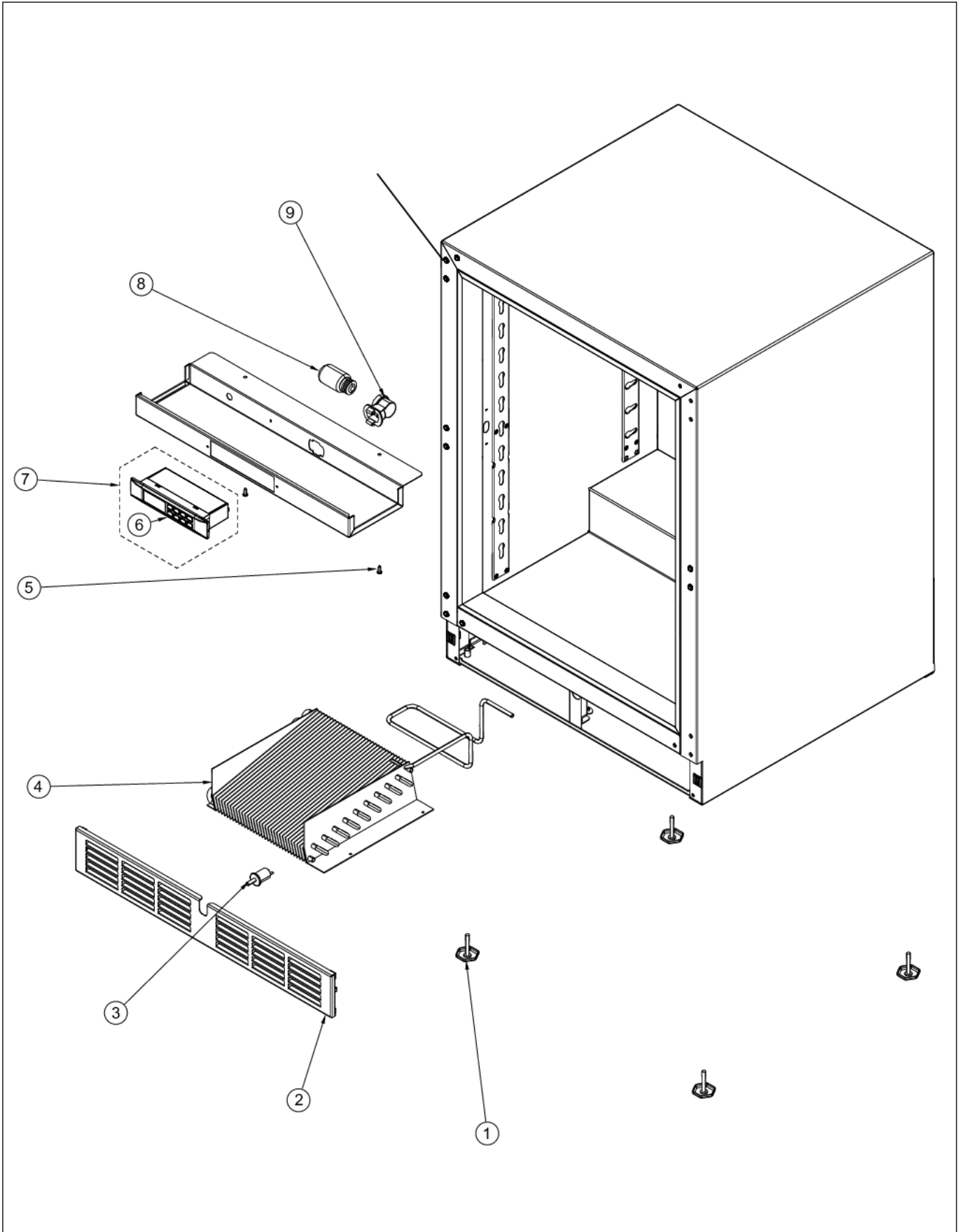
DOOR ASSEMBLY





Item	Part No.	Name	Qty	Uom	NOTES
1	032971-000	RD-VK-24-R3 CLEAR GLASS W/SS BORDER DOOR PANEL ASSY	1	EA	
2	033021-000	HINGE KIT, RH	1	EA	
3	033017-000	HANDLE	1	EA	
4	033016-000	HANDLE END CAP	2	EA	
5	033018-000	SCREW, HANDLE MOUNTING	4	EA	
6	032972-000	DOOR GASKET, 24"	1	EA	
7	033015-000	PLUNGER FASTENER	2	EA	
8	032973-000	PLUNGER BRACKET	1	EA	

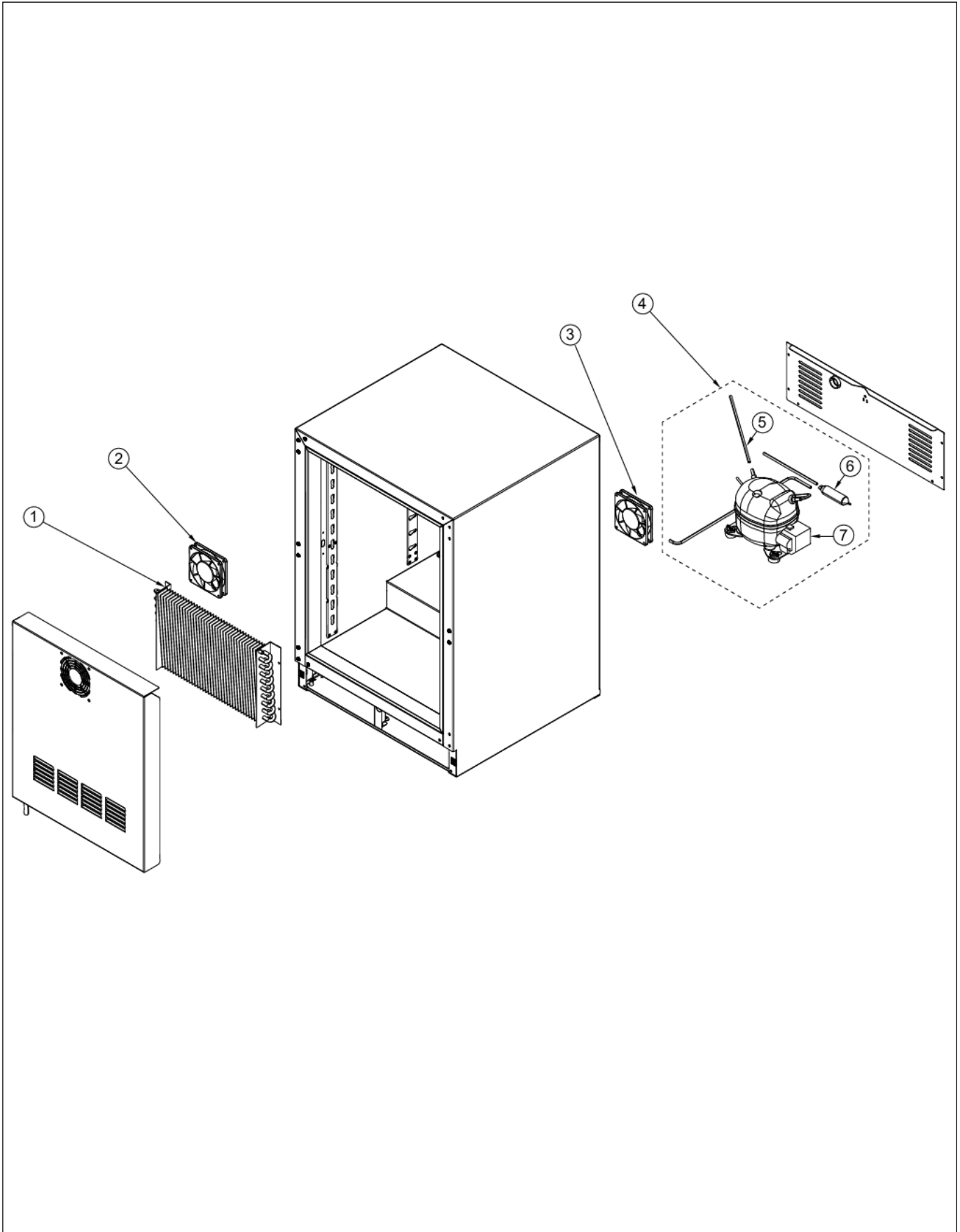
INTERIOR COMPONENTS





Item	Part No.	Name	Qty	Uom	NOTES
1	033033-000	LEVELLING LEG	4	EA	
2	033032-000	GRILLE ASSEMBLY, 24"	1	EA	
3	033040-000	DOOR SWITCH	1	EA	
4	033041-000	CONDENSER	1	EA	
5	033024-000	FASTENER, CONTROL MOUNTING	2	EA	
6	033023-000	CONTROLLER FACE PLATE	1	EA	
7	033077-000	CONTROLLER ASSY	1	EA	
8	033026-000	LIGHT BULB	1	EA	
9	033027-000	LIGHT SOCKET	1	EA	
10	071786-000	SS PLUG	10	EA	
NI	033028-000	HARNESS, CONTROLLER	1	EA	
NI	033039-000	HARNESS, MACHINE COMPARTMENT	1	EA	
NI	033025-000	SENSOR	1	EA	

REAR COMPONENTS

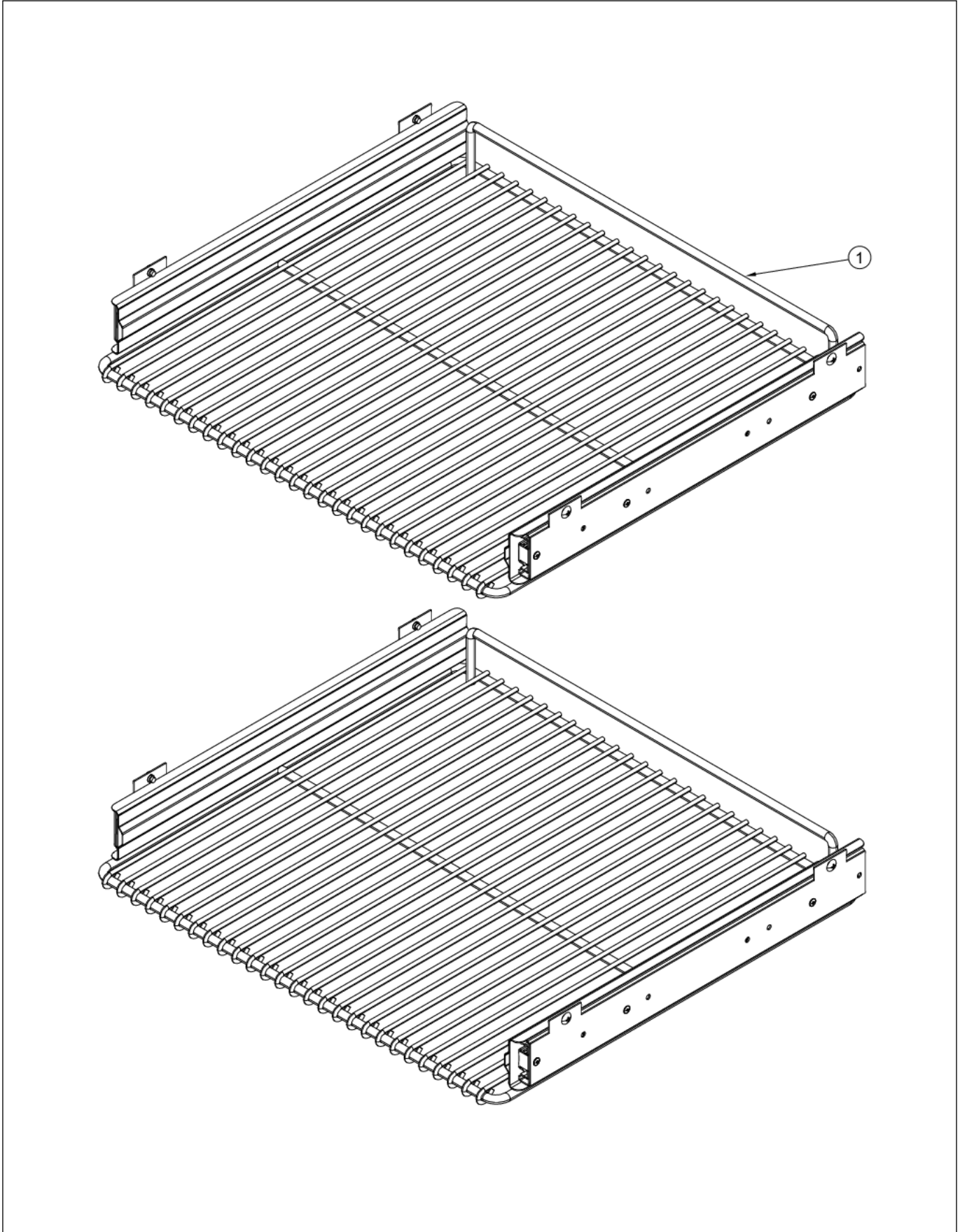






Item	Part No.	Name	Qty	Uom	NOTES
1	033029-000	EVAP ASSEMBLY	1	EA	
2	033038-000	EVAPORATOR / CONDENSER FAN MOTOR	1	EA	
3	033038-000	EVAPORATOR / CONDENSER FAN MOTOR	1	EA	
4	033034-000	COMPRESSOR KIT	1	EA	
5	033037-000	PROCESS TUBE	2	EA	
6	033035-000	DRIER	1	EA	
7	033036-000	COMP. START COMPONENTS	1	EA	
NOT SHOWN	033031-000	HARNESS, FAN MOTOR	1	EA	
NOT SHOWN	033042-000	POWER CORD	1	EA	

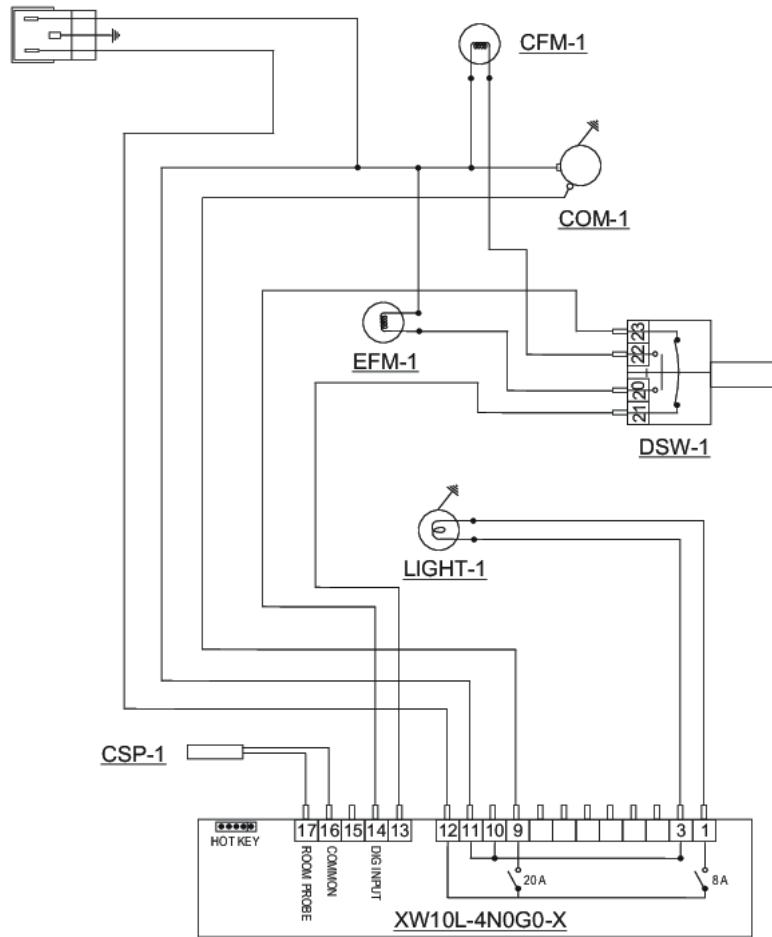
SHELF ASSEMBLY





Item	Part No.	Name	Qty	Uom	NOTES
1	033049-000	SHELF ASSEMBLY, 24"	1	EA	

WIRING DIAGRAM



- XW10L - REFRIGERATION SYSTEM CONTROLLER
- DSW-1 - LIGHT AND EVAPORATOR FAN MOTOR DOOR SWITCH
- LIGHT-1 - COMPARTMENT LIGHT
- EFM-1 - EVAPORATOR FAN MOTOR
- CSP-1 - REFRIGERATED COMPARTMENT SENSOR PROBE
- CFM-1 - CONDENSER FAN MOTOR
- COMP-1 - COMPRESSOR



Appendix A:Pages Index

DOOR ASSEMBLY ..... 1  
INTERIOR COMPONENTS ..... 2  
REAR COMPONENTS ..... 3  
SHELF ASSEMBLY ..... 4  
WIRING DIAGRAM ..... 5



Appendix B:Parts Index

032971-000 ..... 1  
032972-000 ..... 1  
032973-000 ..... 1  
033015-000 ..... 1  
033016-000 ..... 1  
033017-000 ..... 1  
033018-000 ..... 1  
033021-000 ..... 1  
033023-000 ..... 2  
033024-000 ..... 2  
033025-000 ..... 2  
033026-000 ..... 2  
033027-000 ..... 2  
033028-000 ..... 2  
033029-000 ..... 3  
033031-000 ..... 3  
033032-000 ..... 2  
033033-000 ..... 2  
033034-000 ..... 3  
033035-000 ..... 3  
033036-000 ..... 3  
033037-000 ..... 3  
033038-000 ..... 3, 3  
033039-000 ..... 2  
033040-000 ..... 2  
033041-000 ..... 2  
033042-000 ..... 3  
033049-000 ..... 4  
033077-000 ..... 2  
071786-000 ..... 2