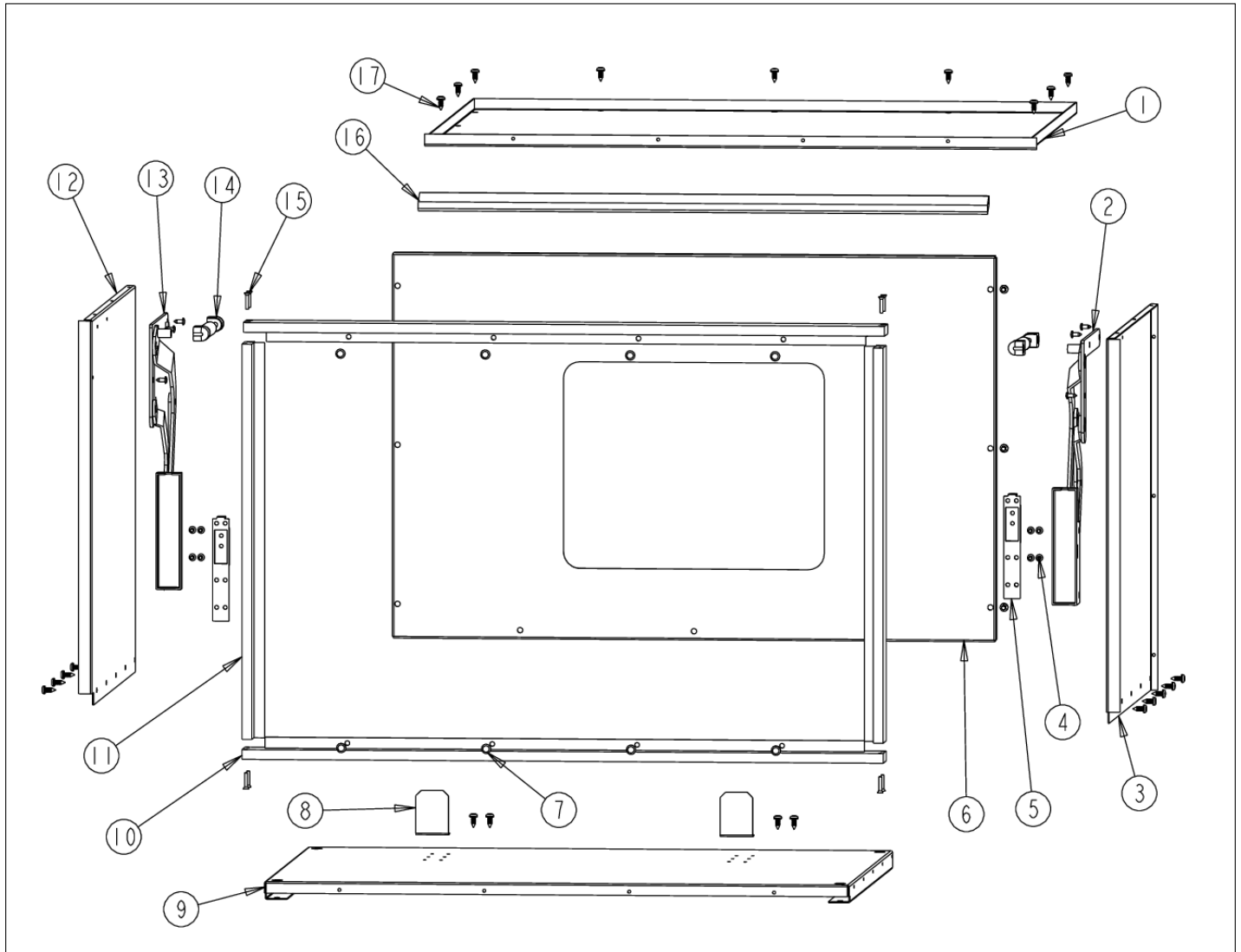


**VMWC172**

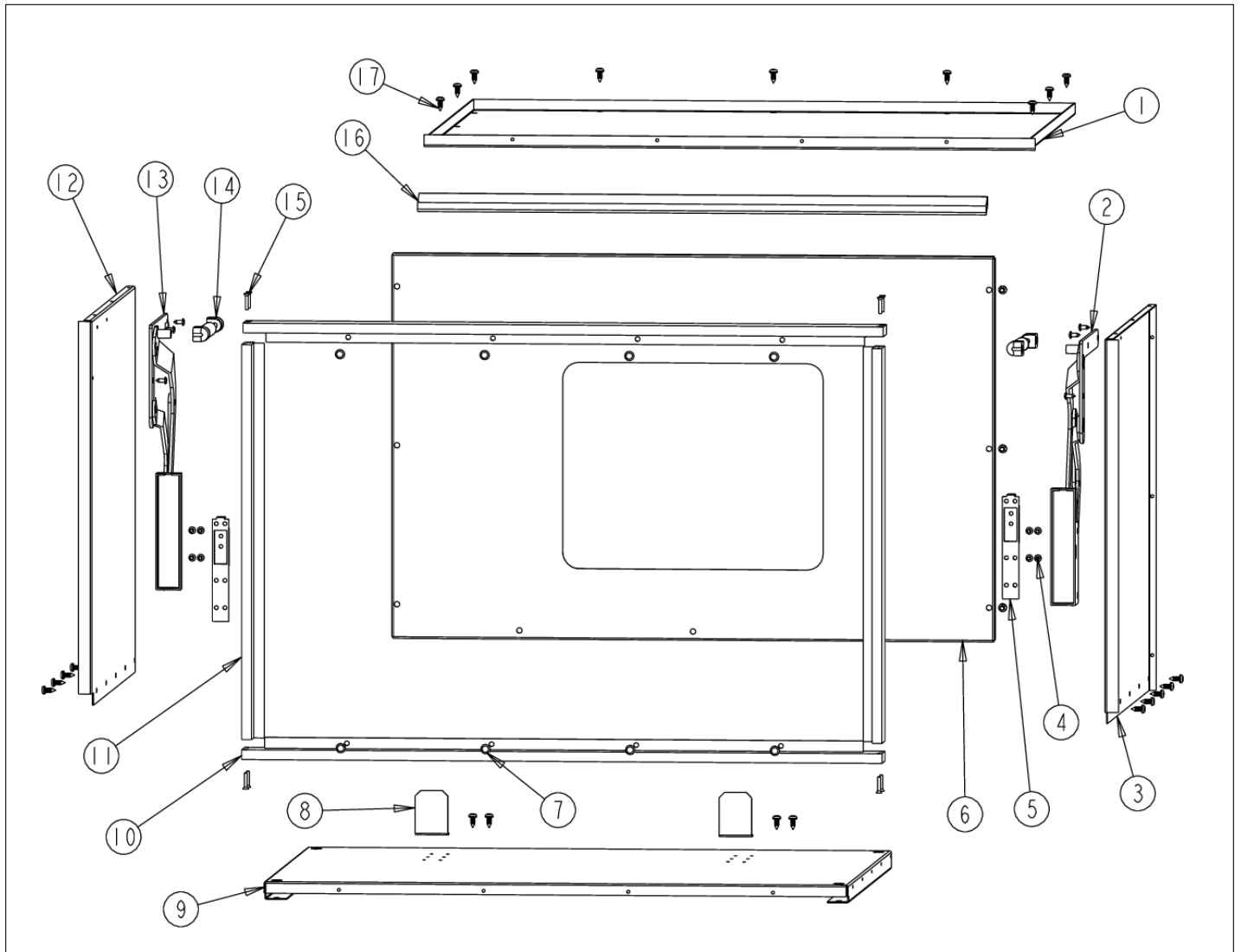
CHAMBER AREA .....	1
DOOR ASSEMBLY .....	2
Appendix A:Pages Index .....	A
Appendix B:Parts Index .....	B



## CHAMBER AREA



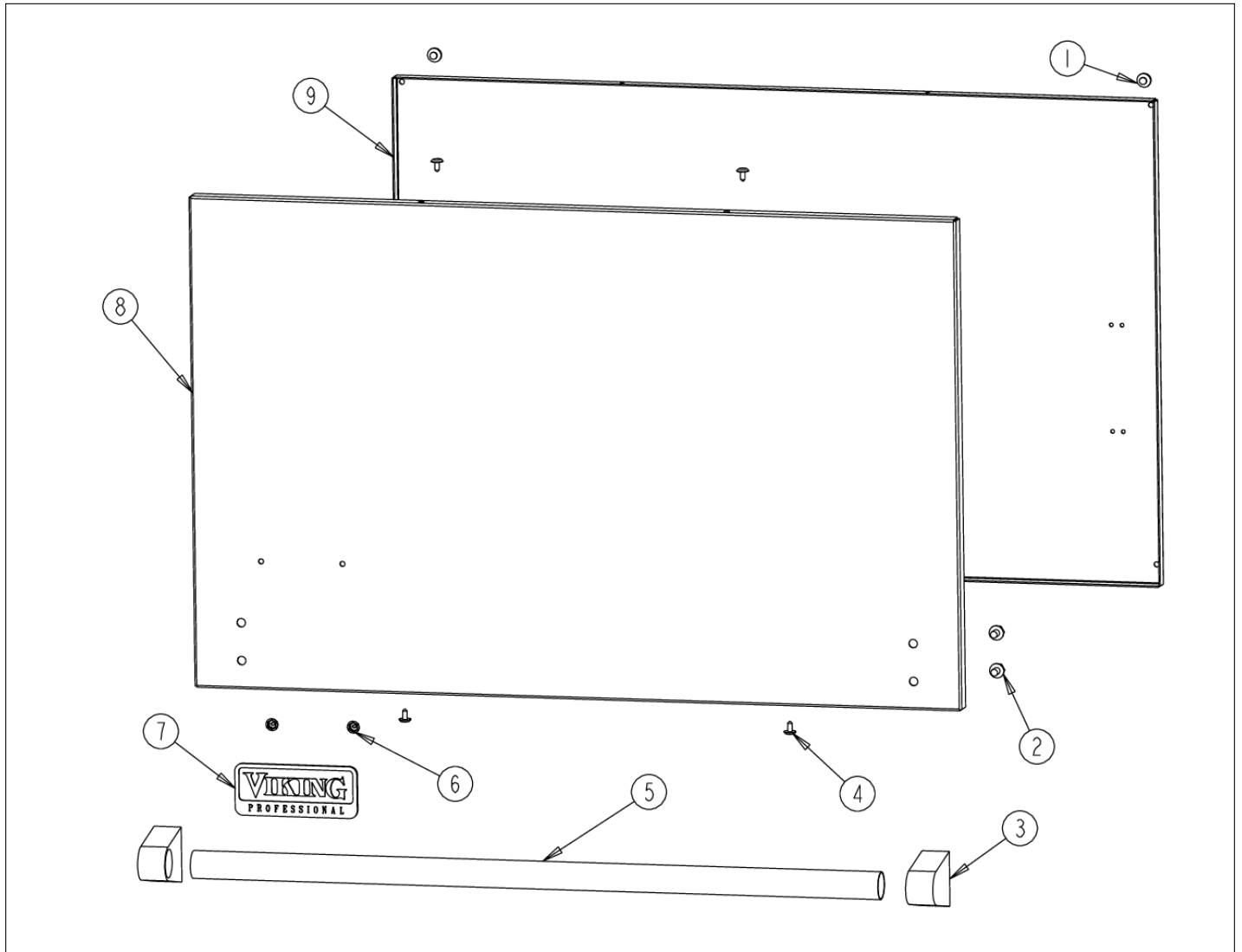
Item	Part No.	Name	Qty	Uom	NOTES
1	B20013417	OUTER TOP PANEL (VMWC172)	1	EA	NO LONGER AVAILABLE, Not available online / Call for pricing and availability
2	023663-000	UP-SWING HINGE (VMWC101)	1	EA	
3	B20013492	O/S SIDE RH (VMWC102/DMWC101)	1	EA	NO LONGER AVAILABLE, Not available online / Call for pricing and availability
4	PD020100	#8 X 7/16 PHILLIP HD KNIFE SCREW	1	EA	
5	PC020101	DOOR FITTING RH/LH (VMWC/DMWC)	1	EA	NO LONGER AVAILABLE
6	B20013494	27" REAR PANEL VMWC/DMWC	1	EA	NO LONGER AVAILABLE, Not available online / Call for pricing and availability
7	PD020032	SRW-8(A)X3/8"PH.WFR HD 7/16DIA*NICL	1	EA	
8	B2003121	ADJUSTMENT BRKT (VMWC)	1	EA	NO LONGER AVAILABLE, Not available online / Call for pricing and availability
9	B20013497	27" BOTTOM PANEL VMWC/DMWC	1	EA	NO LONGER AVAILABLE, Not available online / Call for pricing and availability
10	PE040295	TOP/BOTTOM TRIM (VMWC172)	1	EA	NO LONGER AVAILABLE, Not available online / Call for pricing and availability
11	PE040301	SIDE TRIM (VMWC)	1	EA	NO LONGER AVAILABLE, Not available online / Call for pricing and availability
12	B20013493	O/S SIDE LH (VMWC102/DMWC101)	1	EA	NO LONGER AVAILABLE, Not available online / Call for pricing and availability
13	PC020099	LATERAL HINGE LH (VMWC/DMWC)	1	EA	
14	010955-000	GREY 380 N PISTON (VMWC/DMWC)	1	EA	





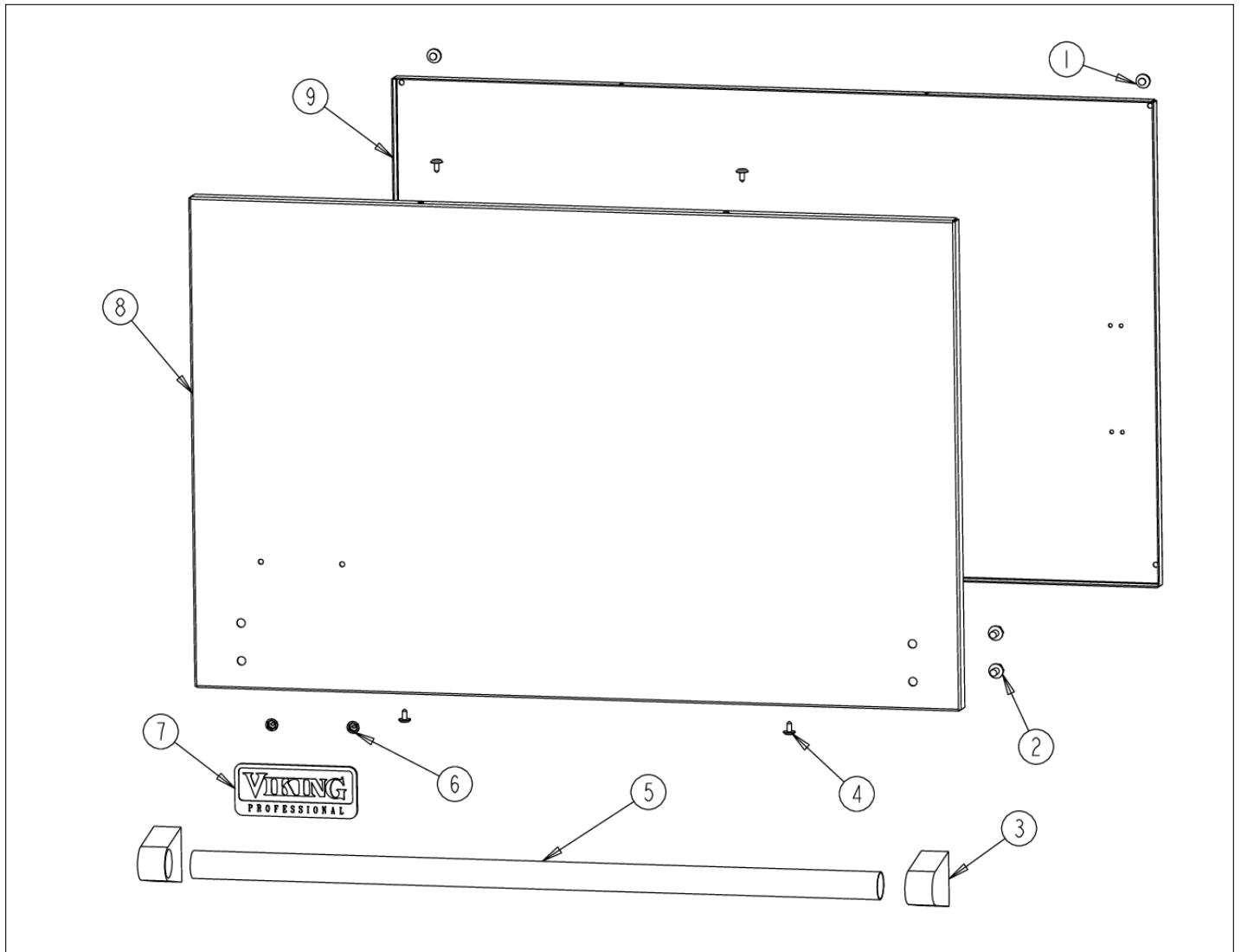
Item	Part No.	Name	Qty	Uom	NOTES
15	PD020150	' #6 X 1/2 PH. CT. SK. SMS. ""SS""	1	EA	
16	PC020096	27" PROFILE ROD (VMWC171/DMWC170)	1	EA	
17	PD020087	10 X 1/2 PAN PH. TEK ZINC	1	EA	

DOOR ASSEMBLY



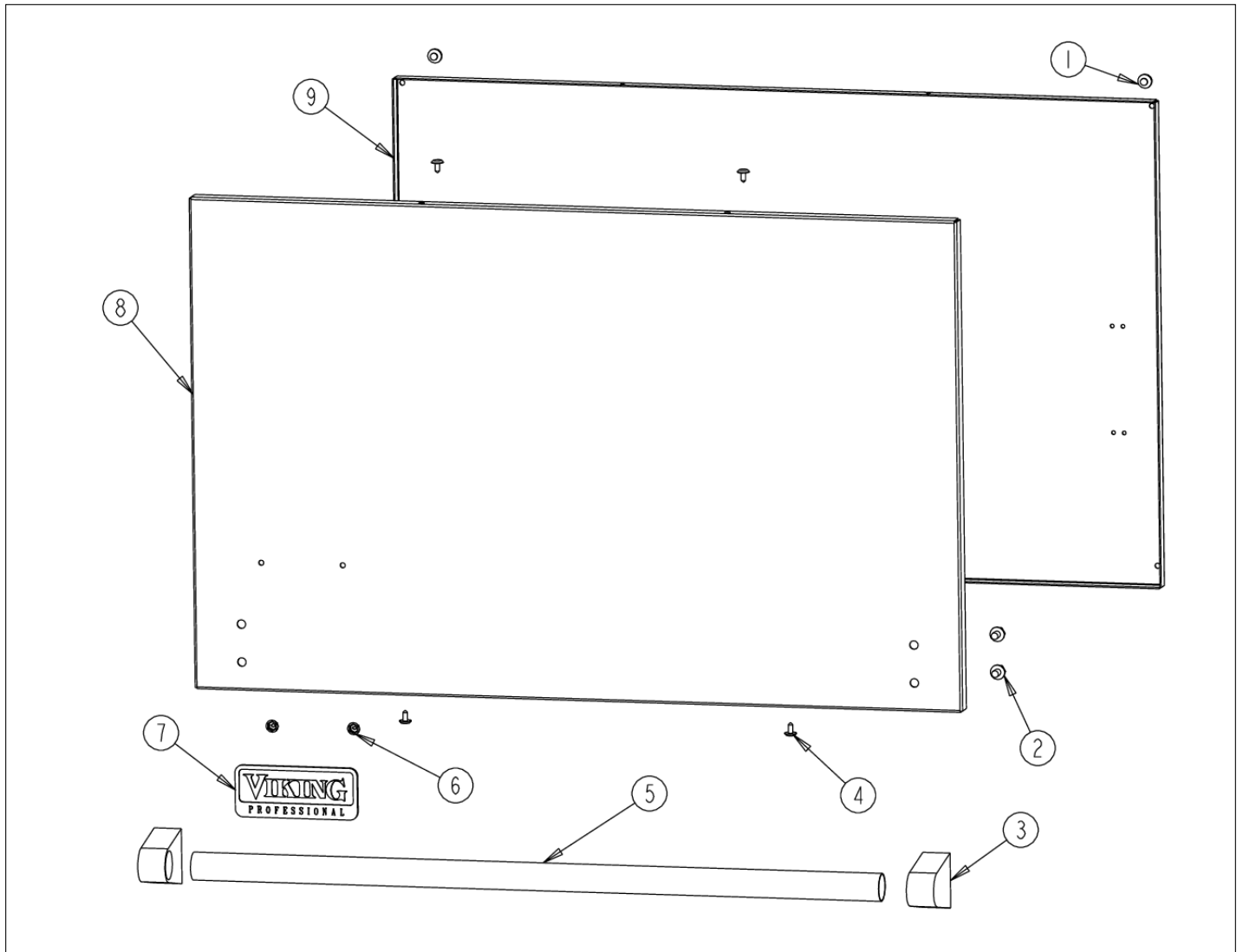


Item	Part No.	Name	Qty	Uom	NOTES
1	PD040004	GROMMET BUMPER	1	EA	
2	PD010019	BLT-1/4-20X3/8"HEX WASHER SERATED	1	EA	
3	000268-000	HANDLE ENDCAP	1	EA	
Not Shown	PE030001PVD	END CAP DOOR HANDLE *BR	1	EA	
4	PD020032	SRW-8(A)X3/8"PH.WFR HD 7/16DIA*NICL	1	EA	
5	PE030179	30" PROF. DOOR HANDLE	1	EA	
Not Shown	PE030179PVD	30" PROF. DOOR HANDLE *PVD* 24.907	1	EA	NO LONGER AVAILABLE, Not available online / Call for pricing and availability
6	PD030006	CAPPED WASHER PAL NUT	1	EA	
7	PE010016	LOGO (ALL RANGES) *BK/CHR 307997W	1	EA	
Not Shown	PE010079	4.5" LOGO/VIKING PROF *BK/BR	1	EA	
Not Shown	PE010017	LOGO (VGSQ,VEDO,VGDO,VUD) *WH/CHR	1	EA	
Not Shown	PE010080	4.5" LOGO/VIKING PROF *WH/BR	1	EA	
8	B20013415	O/S DOOR PANEL (VMWC102)	1	EA	
Not Shown	C90013415AL	OUTER DOOR PANEL (VMWC102) *AL*	1	EA	NO LONGER AVAILABLE, Not available online / Call for pricing and availability
Not Shown	C90013415BK	OUTER DOOR PANEL (VMWC102) *BK*	1	EA	NO LONGER AVAILABLE, Not available online / Call for pricing and availability
Not Shown	C90013415BT	OUTER DOOR PANEL (VMWC102) *BT*	1	EA	NO LONGER AVAILABLE, Not available online / Call for pricing and availability
Not Shown	C90013415BU	OUTER DOOR PANEL (VMWC102) *BU*	1	EA	NO LONGER AVAILABLE, Not available online / Call for pricing and availability
Not Shown	C90013415CB	OUTER DOOR PANEL (VMWC102) *CB*	1	EA	NO LONGER AVAILABLE



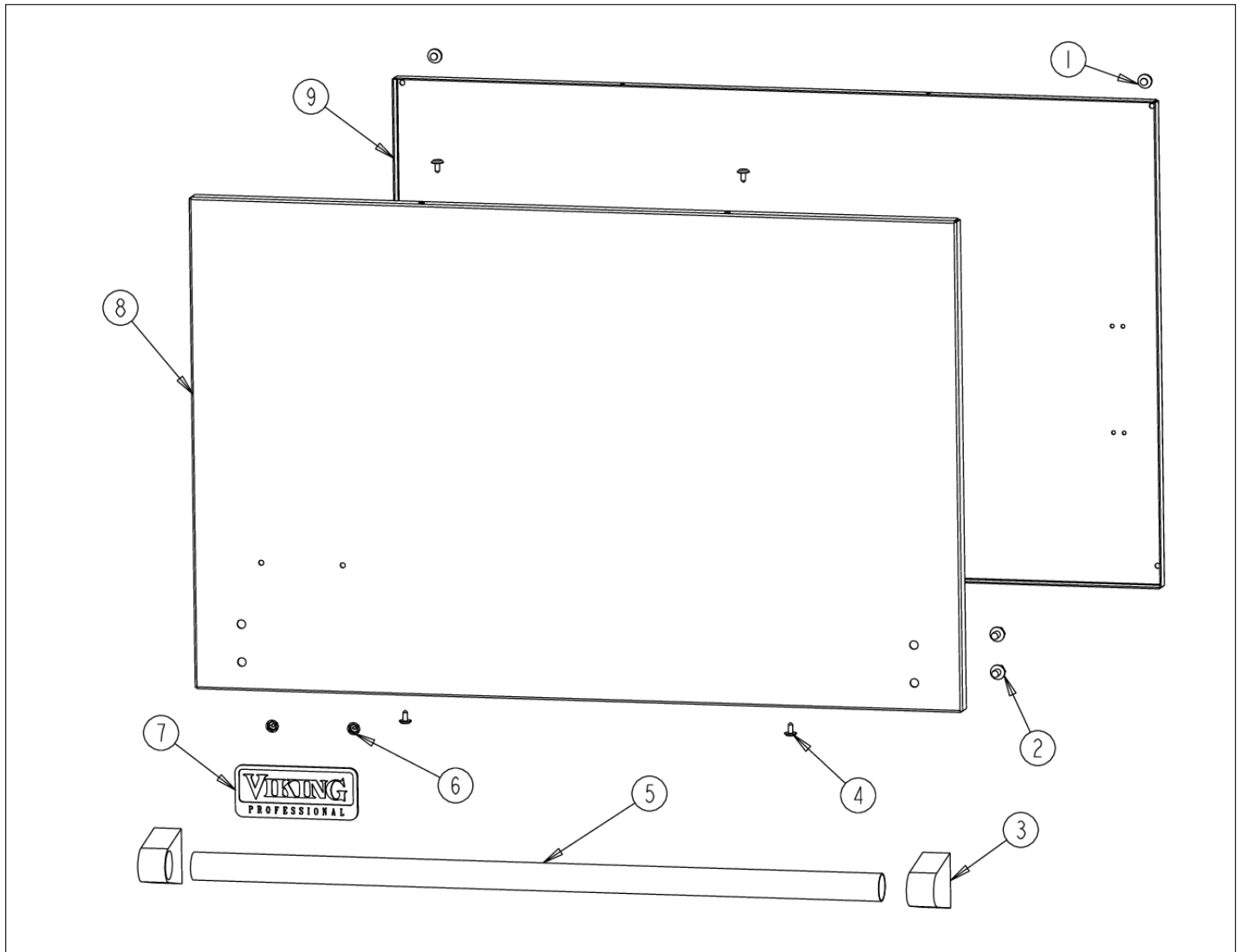


Item	Part No.	Name	Qty	Uom	NOTES
Not Shown	C90013415EP	OUTER DOOR PANEL (VMWC102) *EP*	1	EA	NO LONGER AVAILABLE, Not available online / Call for pricing and availability
Not Shown	C90013415FG	OUTER DOOR PANEL (VMWC102) *FG*	1	EA	NO LONGER AVAILABLE, Not available online / Call for pricing and availability
Not Shown	C90013415GG	OUTER DOOR PANEL (VMWC102) *GG*	1	EA	NO LONGER AVAILABLE, Not available online / Call for pricing and availability
Not Shown	C90013415LE	OUTER DOOR PANEL (VMWC102) *LE*	1	EA	NO LONGER AVAILABLE, Not available online / Call for pricing and availability
Not Shown	C90013415MJ	OUTER DOOR PANEL (VMWC102) *MJ*	1	EA	NO LONGER AVAILABLE, Not available online / Call for pricing and availability
Not Shown	C90013415SG	OUTER DOOR PANEL (VMWC102) *SG*	1	EA	NO LONGER AVAILABLE, Not available online / Call for pricing and availability
Not Shown	C90013415VB	OUTER DOOR PANEL (VMWC102) *VB*	1	EA	NO LONGER AVAILABLE, Not available online / Call for pricing and availability
Not Shown	C90013415WH	OUTER DOOR PANEL (VMWC102) *WH*	1	EA	NO LONGER AVAILABLE, Not available online / Call for pricing and availability
9	B20013414	I/S DOOR PANEL (VMWC102)	1	EA	NO LONGER AVAILABLE, Not available online / Call for pricing and availability
NI	G32013416AL	DOOR ASSEMBLY 30" W (VMWC102) *AL*	1	EA	NO LONGER AVAILABLE, Not available online / Call for pricing and availability
Not Shown	G32013416ALBR	COMPLETE DOOR ASSEMBLY - AL / BR	1	EA	Not available online / Call for pricing and availability

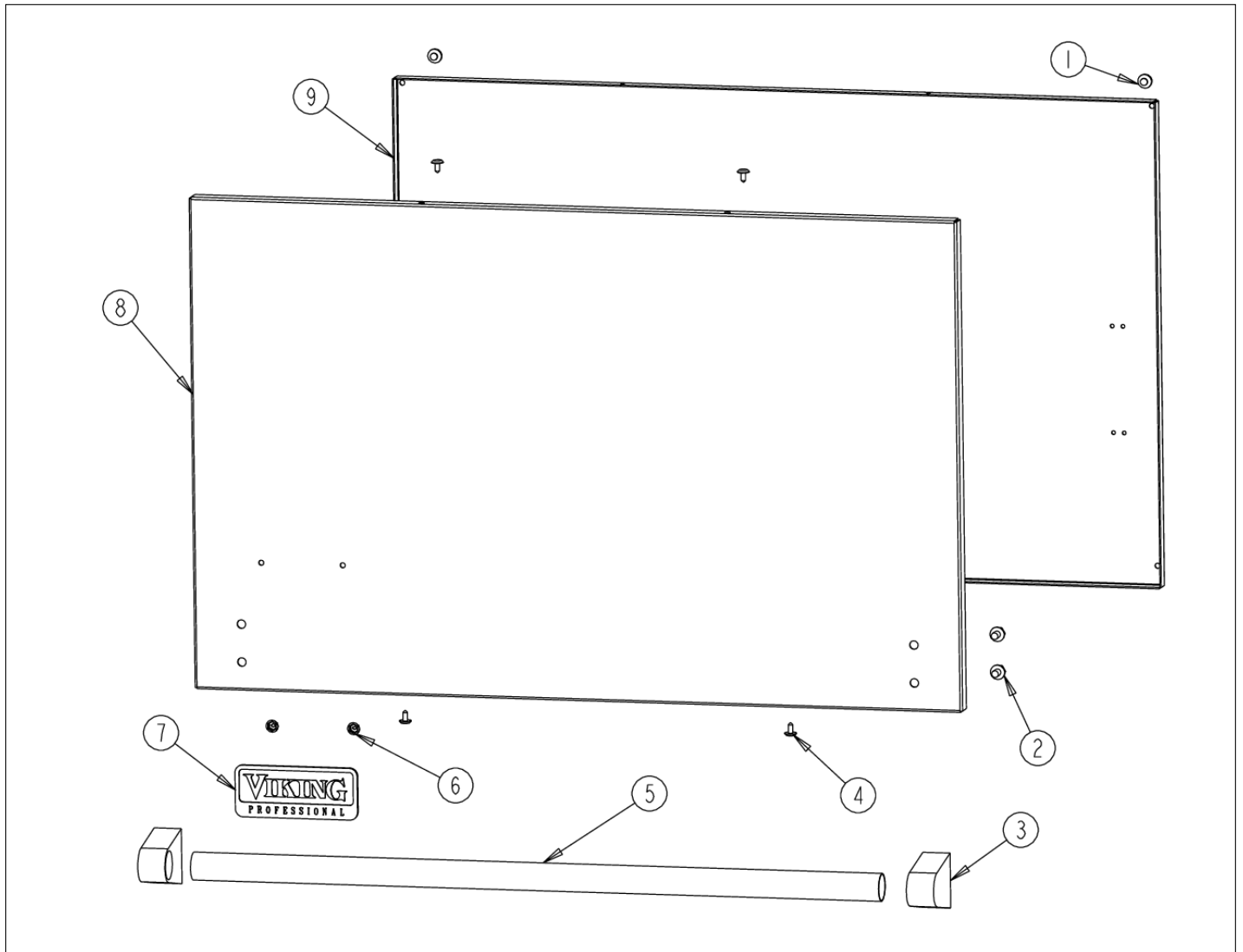




Item	Part No.	Name	Qty	Uom	NOTES
Not Shown	G32013416BK	DOOR ASSEMBLY 30" W (VMWC102) *BK*	1	EA	NO LONGER AVAILABLE
Not Shown	G32013416BKBR	COMPLETE DOOR ASSEMBLY - BK / BR	1	EA	Not available online / Call for pricing and availability
Not Shown	G32013416BT	DOOR ASSEMBLY 30" W (VMWC102) *BT*	1	EA	NO LONGER AVAILABLE, Not available online / Call for pricing and availability
Not Shown	G32013416BTBR	COMPLETE DOOR ASSEMBLY - BT / BR	1	EA	Not available online / Call for pricing and availability
Not Shown	G32013416BU	DOOR ASSEMBLY 30" W (VMWC102) *BU*	1	EA	NO LONGER AVAILABLE, Not available online / Call for pricing and availability
Not Shown	G32013416BUBR	COMPLETE DOOR ASSEMBLY - BU / BR	1	EA	Not available online / Call for pricing and availability
Not Shown	G32013416CB	DOOR ASSEMBLY 30" W (VMWC102) *CB*	1	EA	NO LONGER AVAILABLE, Not available online / Call for pricing and availability
Not Shown	G32013416CBBR	COMPLETE DOOR ASSEMBLY - CB / BR	1	EA	Not available online / Call for pricing and availability
Not Shown	G32013416EP	DOOR ASSEMBLY 30" W (VMWC102) *EP*	1	EA	NO LONGER AVAILABLE, Not available online / Call for pricing and availability
Not Shown	G32013416EPBR	COMPLETE DOOR ASSEMBLY - EP / BR	1	EA	Not available online / Call for pricing and availability
Not Shown	G32013416FG	DOOR ASSEMBLY 30" W (VMWC102) *FG*	1	EA	NO LONGER AVAILABLE, Not available online / Call for pricing and availability
Not Shown	G32013416FGBR	COMPLETE DOOR ASSEMBLY - FG / BR	1	EA	Not available online / Call for pricing and availability



Item	Part No.	Name	Qty	Uom	NOTES
Not Shown	G32013416GG	DOOR ASSEMBLY 30" W (VMWC102) *GG*	1	EA	NO LONGER AVAILABLE, Not available online / Call for pricing and availability
Not Shown	G32013416GGBR	COMPLETE DOOR ASSEMBLY - GG / BR	1	EA	Not available online / Call for pricing and availability
Not Shown	G32013416LE	DOOR ASSEMBLY 30" W (VMWC102) *LE*	1	EA	NO LONGER AVAILABLE, Not available online / Call for pricing and availability
Not Shown	G32013416LEBR	COMPLETE DOOR ASSEMBLY - LE / BR	1	EA	Not available online / Call for pricing and availability
Not Shown	G32013416MJ	DOOR ASSEMBLY 30" W (VMWC102) *MJ*	1	EA	NO LONGER AVAILABLE, Not available online / Call for pricing and availability
Not Shown	G32013416MJBR	COMPLETE DOOR ASSEMBLY - MJ / BR	1	EA	Not available online / Call for pricing and availability
Not Shown	G32013416SG	DOOR ASSEMBLY 30" W (VMWC102) *SG*	1	EA	NO LONGER AVAILABLE, Not available online / Call for pricing and availability
Not Shown	G32013416SGBR	COMPLETE DOOR ASSEMBLY - SG / BR	1	EA	Not available online / Call for pricing and availability
Not Shown	G32013416SS	DOOR ASSEMBLY 30" W (VMWC102) *SS*	1	EA	NO LONGER AVAILABLE, Not available online / Call for pricing and availability
Not Shown	G32013416SSBR	COMPLETE DOOR ASSEMBLY - SS / BR	1	EA	Not available online / Call for pricing and availability
Not Shown	G32013416VB	DOOR ASSEMBLY 30" W (VMWC102) *VB*	1	EA	NO LONGER AVAILABLE, Not available online / Call for pricing and availability
Not Shown	G32013416VBBR	COMPLETE DOOR ASSEMBLY - VB / BR	1	EA	Not available online / Call for pricing and availability







Item	Part No.	Name	Qty	Uom	NOTES
Not Shown	G32013416WH	DOOR ASSEMBLY 30" W (VMWC102) *WH*	1	EA	NO LONGER AVAILABLE, Not available online / Call for pricing and availability
Not Shown	G32013416WHBR	COMPLETE DOOR ASSEMBLY - WH / BR	1	EA	Not available online / Call for pricing and availability



Appendix A:Pages Index

CHAMBER AREA .....	1
DOOR ASSEMBLY .....	2



Appendix B:Parts Index

000268-000	2	G32013416LE	2
010955-000	1	G32013416LEBR	2
023663-000	1	G32013416MJ	2
B20013414	2	G32013416MJBR	2
B20013415	2	G32013416SG	2
B20013417	1	G32013416SGBR	2
B20013492	1	G32013416SS	2
B20013493	1	G32013416SSBR	2
B20013494	1	G32013416VB	2
B20013497	1	G32013416VBBR	2
B2003121	1	G32013416WH	2
C90013415AL	2	G32013416WHBR	2
C90013415BK	2	PC020096	1
C90013415BT	2	PC020099	1
C90013415BU	2	PC020101	1
C90013415CB	2	PD010019	2
C90013415EP	2	PD020032	1, 2
C90013415FG	2	PD020087	1
C90013415GG	2	PD020100	1
C90013415LE	2	PD020150	1
C90013415MJ	2	PD030006	2
C90013415SG	2	PD040004	2
C90013415VB	2	PE010016	2
C90013415WH	2	PE010017	2
G32013416AL	2	PE010079	2
G32013416ALBR	2	PE010080	2
G32013416BK	2	PE030001PVD	2
G32013416BKBR	2	PE030179	2
G32013416BT	2	PE030179PVD	2
G32013416BTBR	2	PE040295	1
G32013416BU	2	PE040301	1
G32013416BUBR	2		
G32013416CB	2		
G32013416CBBR	2		
G32013416EP	2		
G32013416EPBR	2		
G32013416FG	2		
G32013416FGBR	2		
G32013416GG	2		
G32013416GGBR	2		