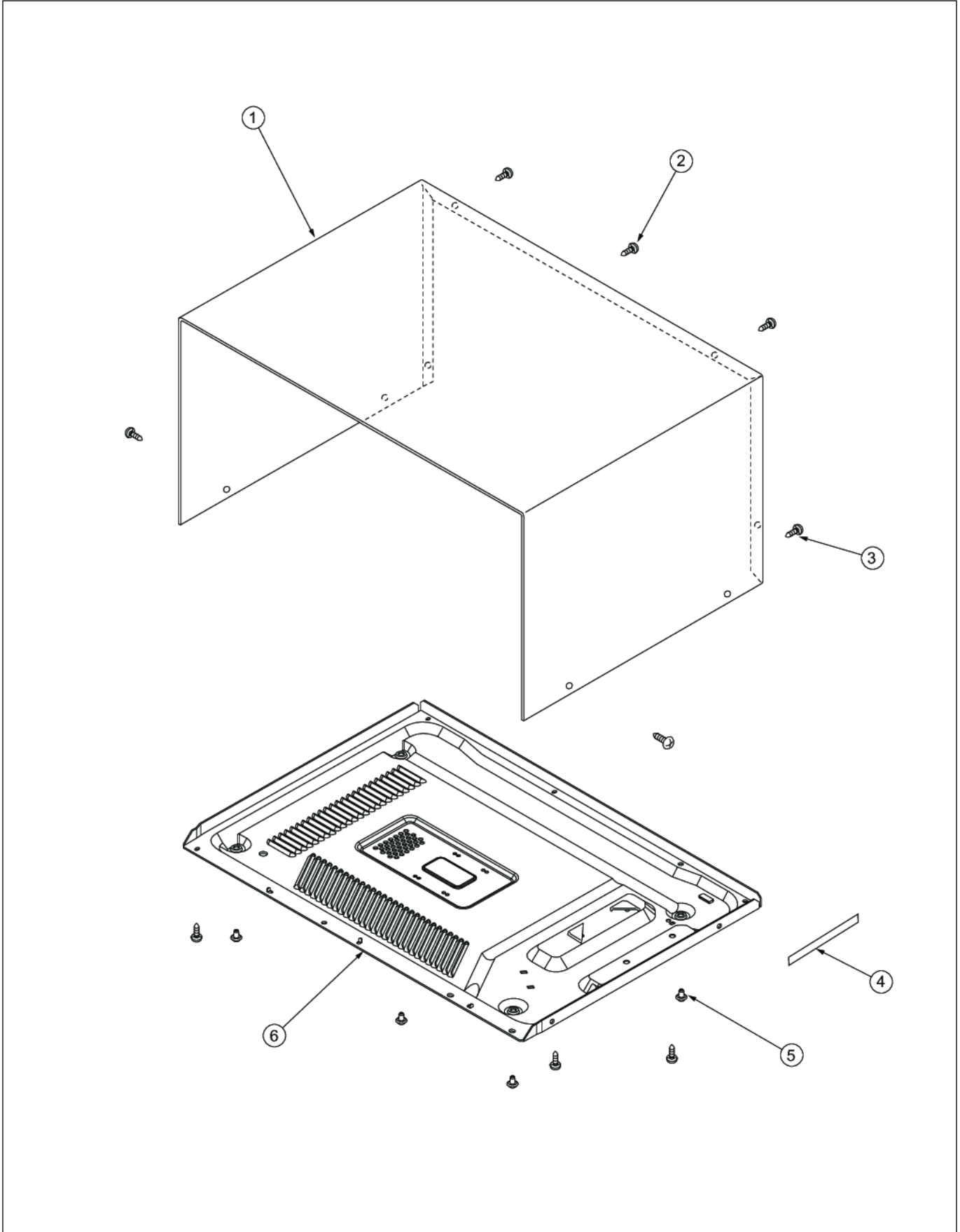


VMOS201

CABINET PARTS	1
CONTROL PANEL	2
DOOR PARTS	3
ELECTRIC PARTS	4
MISCELLANEOUS	5
OVEN PARTS	6
Appendix A:Pages Index	A
Appendix B:Parts Index	B

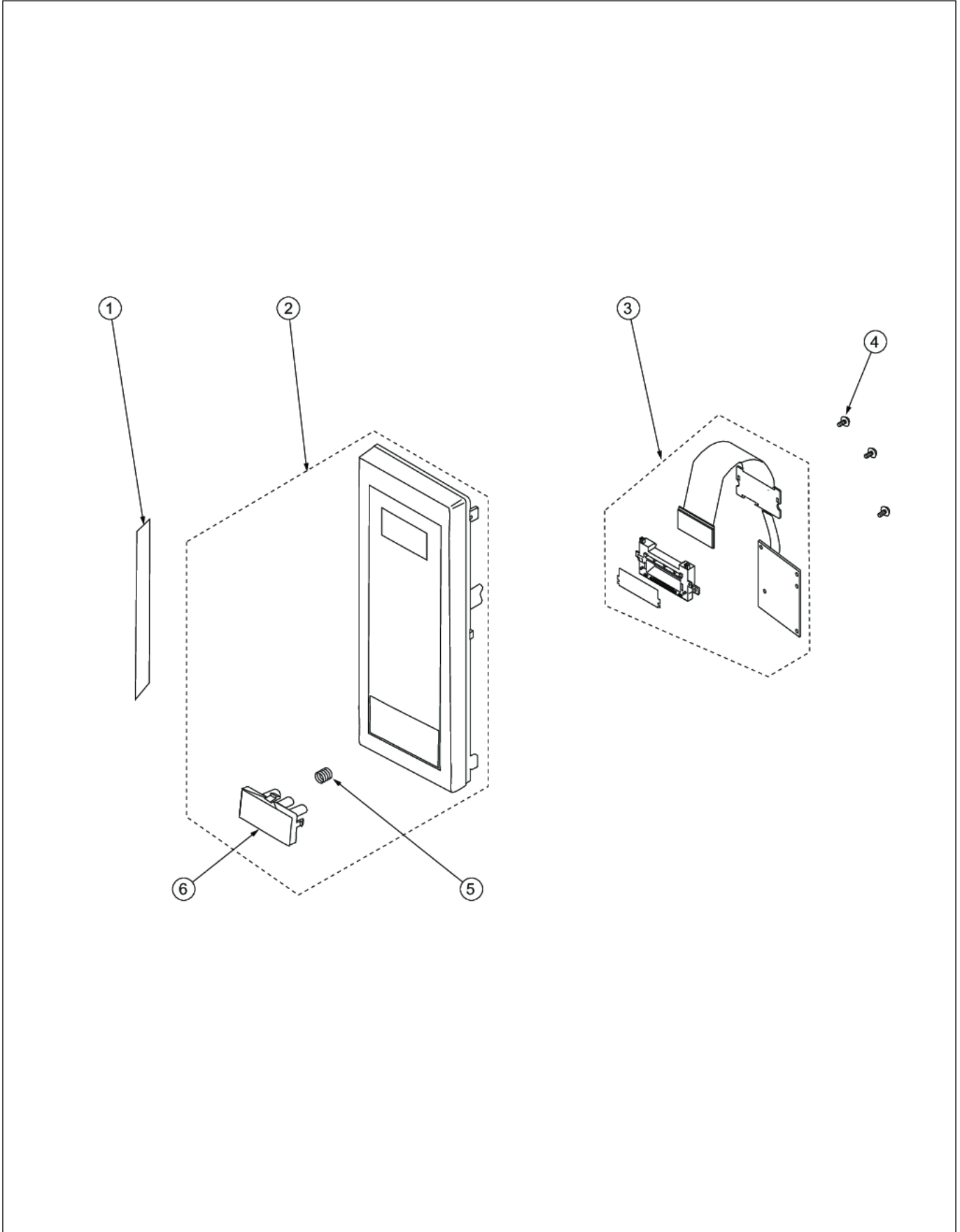
CABINET PARTS





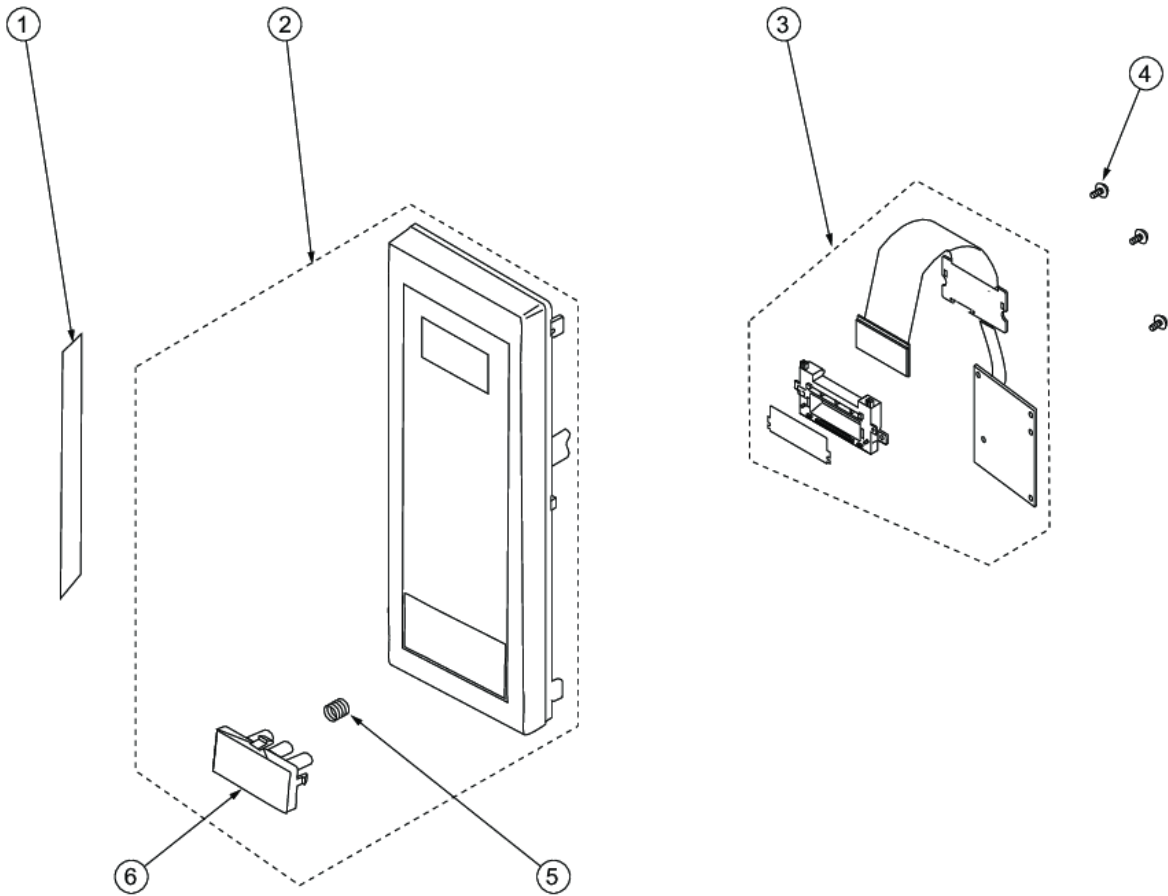
Item	Part No.	Name	Qty	Uom	NOTES
1	028726-000	OUTER CASE CABINET	1	EA	
2	PM120159	SCREW	6	EA	
3	PM120005	SCREW	2	EA	
4	028727-000	BASEPLATE CUSHION	1	EA	
5	028728-000	FOOT	4	EA	
6	028729-000	BASE PLATE	1	EA	

CONTROL PANEL





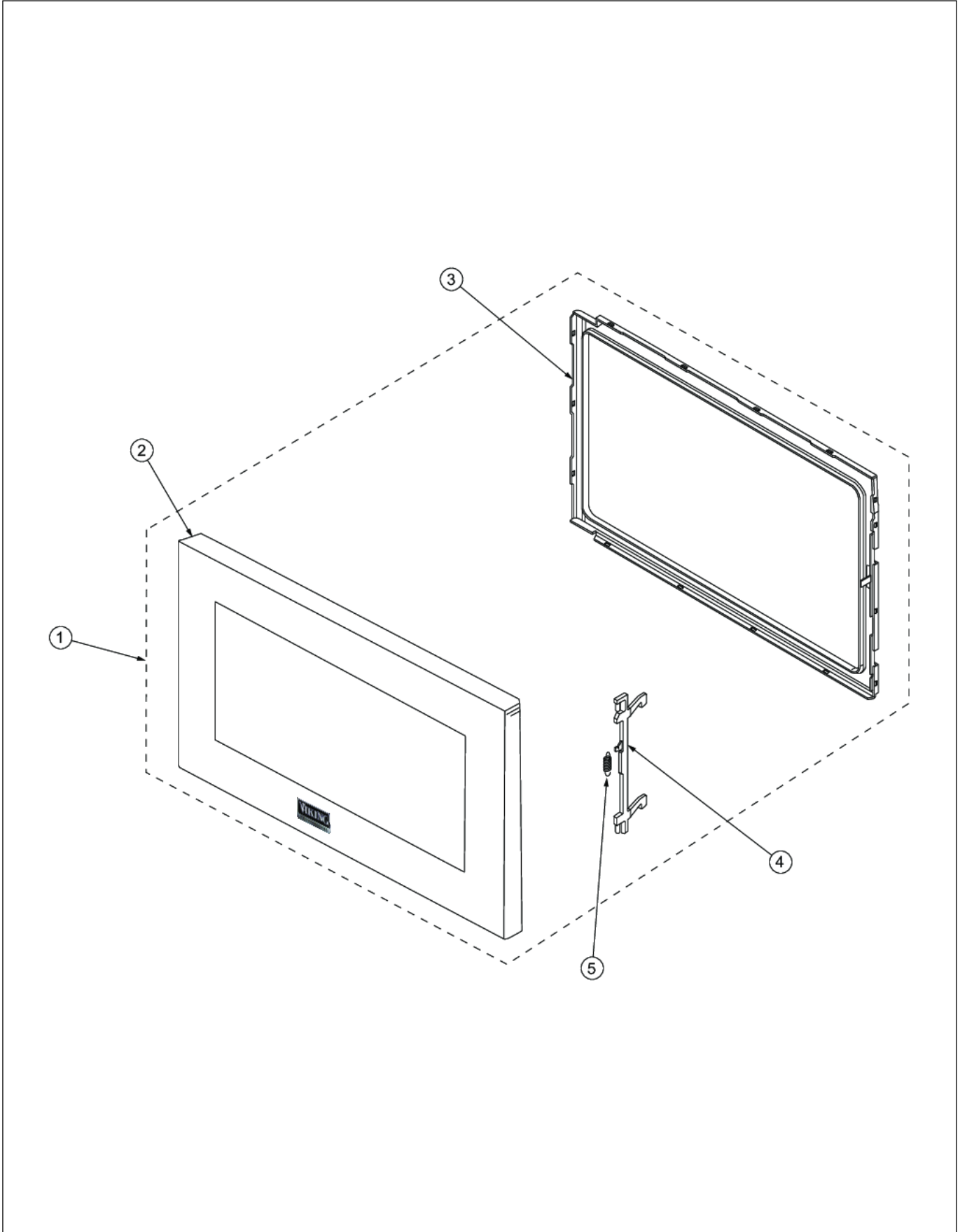
Item	Part No.	Name	Qty	Uom	NOTES
1	PM120021	USER CAUTION LABEL	1	EA	NO LONGER AVAILABLE
2	001968-004	CONTROL PANEL FRAME W/KEY UNIT - SG - NLA	1	EA	
2	001968-006	CONTROL PANEL FRAME W/KEY UNIT - WH	1	EA	NO LONGER AVAILABLE
2	001968-008	CONTROL PANEL FRAME WITH KEY UNIT (VMOS201BU)	1	EA	NO LONGER AVAILABLE, Not available online / Call for pricing and availability
2	028730-000	CONTROL PANEL FRAME WITH KEY UNIT (VMOS201SS)	1	EA	
2	028731-000	CONTROL PANEL FRAME WITH KEY UNIT (VMOS201PL)	1	EA	Not available online / Call for pricing and availability
2	028732-000	CONTROL PANEL FRAME WITH KEY UNIT (VMOS201BT)	1	EA	
2	028733-000	CONTROL PANEL FRAME WITH KEY UNIT (VMOS201GG)	1	EA	
2	028734-000	CONTROL PANEL FRAME WITH KEY UNIT (VMOS201LE)	1	EA	
2	028735-000	CONTROL PANEL FRAME WITH KEY UNIT (VMOS201AR)	1	EA	
2	028736-000	CONTROL PANEL FRAME WITH KEY UNIT (VMOS201RR)	1	EA	
2	028737-000	CONTROL PANEL FRAME WITH KEY UNIT (VMOS201VB)	1	EA	
2	028738-000	CONTROL PANEL FRAME WITH KEY UNIT (VMOS201CB)	1	EA	
2	028739-000	CONTROL PANEL FRAME WITH KEY UNIT (VMOS201CH)	1	EA	
2	028740-000	CONTROL PANEL FRAME WITH KEY UNIT (VMOS201MJ)	1	EA	
2	028741-000	CONTROL PANEL FRAME WITH KEY UNIT (VMOS201PM)	1	EA	
2	028742-000	CONTROL PANEL FRAME WITH KEY UNIT (VMOS201IB)	1	EA	
2	028743-000	CONTROL PANEL FRAME WITH KEY UNIT (VMOS201SE)	1	EA	
2	028744-000	CONTROL PANEL FRAME WITH KEY UNIT (VMOS201BK)	1	EA	



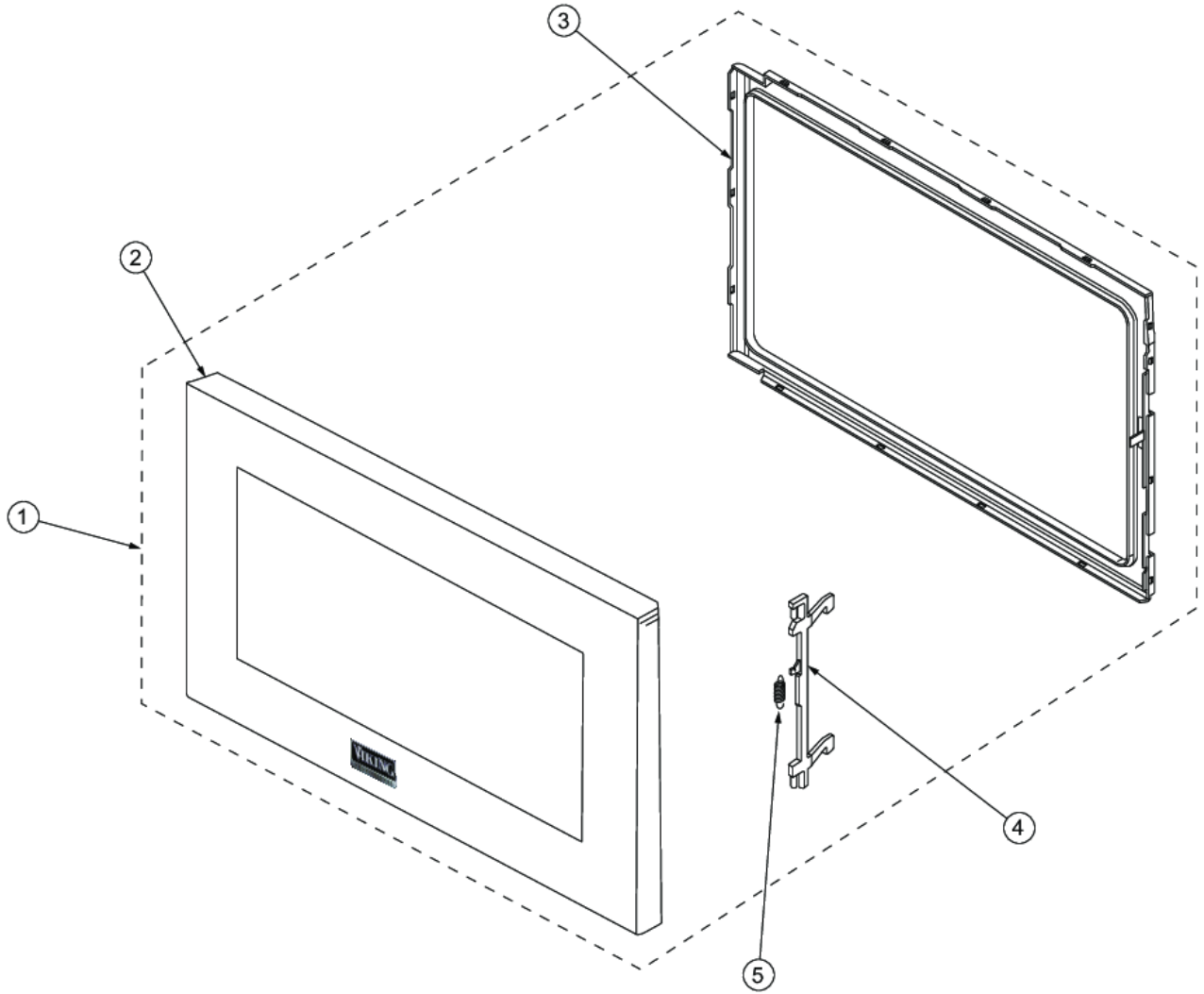


Item	Part No.	Name	Qty	Uom	NOTES
2	028745-000	CONTROL PANEL FRAME WITH KEY UNIT (VMOS201MS)	1	EA	Not available online / Call for pricing and availability
2	028746-000	CONTROL PANEL FRAME WITH KEY UNIT (VMOS201TP)	1	EA	
2	028747-000	CONTROL PANEL FRAME WITH KEY UNIT (VMOS201CW)	1	EA	Not available online / Call for pricing and availability
2	028748-000	CONTROL PANEL FRAME WITH KEY UNIT (VMOS201OG)	1	EA	Not available online / Call for pricing and availability
2	028749-000	CONTROL PANEL FRAME WITH KEY UNIT (VMOS201GM)	1	EA	Not available online / Call for pricing and availability
2	028750-000	CONTROL PANEL FRAME WITH KEY UNIT (VMOS201SA)	1	EA	Not available online / Call for pricing and availability
3	028751-000	CONTROL UNIT	1	EA	
4	022262-000	SCREW; 3MM X 10MM	3	EA	
5	PM120044	OPEN BUTTON SPRING	1	EA	
6	065218-000	Open button	1	EA	

DOOR PARTS



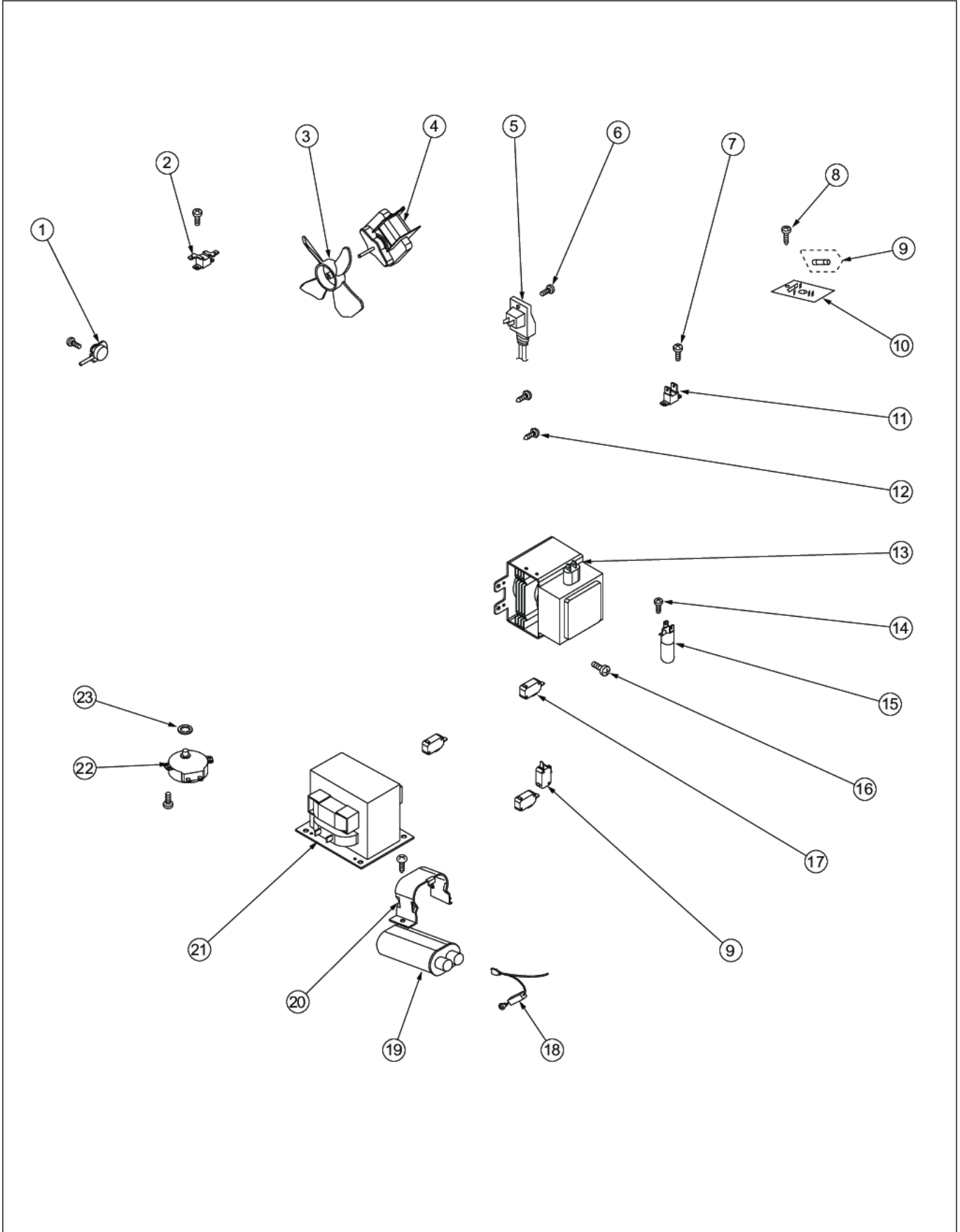
Item	Part No.	Name	Qty	Uom	NOTES
1	028769-000	DOOR ASSEMBLY (VMOS201SS)	1	EA	
1	028770-000	DOOR ASSEMBLY (VMOS201WH)	1	EA	
1	028771-000	DOOR ASSEMBLY (VMOS201CH)	1	EA	
1	028772-000	DOOR ASSEMBLY (VMOS201BT)	1	EA	
1	028773-000	DOOR ASSEMBLY (VMOS201SG)	1	EA	
1	028774-000	DOOR ASSEMBLY (VMOS201GG)	1	EA	
1	028775-000	DOOR ASSEMBLY (VMOS201BU)	1	EA	
1	028776-000	DOOR ASSEMBLY (VMOS201LE)	1	EA	
1	028777-000	DOOR ASSEMBLY (VMOS201MJ)	1	EA	
1	028778-000	DOOR ASSEMBLY (VMOS201VB)	1	EA	
1	028779-000	DOOR ASSEMBLY (VMOS201CB)	1	EA	
1	028780-000	DOOR ASSEMBLY (VMOS201PL)	1	EA	
1	028781-000	DOOR ASSEMBLY (VMOS201AR)	1	EA	
1	028782-000	DOOR ASSEMBLY (VMOS201RR)	1	EA	
1	028783-000	DOOR ASSEMBLY (VMOS201PM)	1	EA	
1	028784-000	DOOR ASSEMBLY (VMOS201IB)	1	EA	
1	028785-000	DOOR ASSEMBLY (VMOS201SE)	1	EA	
1	028786-000	DOOR ASSEMBLY (VMOS201BK)	1	EA	
1	028787-000	DOOR ASSEMBLY (VMOS201MS)	1	EA	
1	028788-000	DOOR ASSEMBLY (VMOS201TP)	1	EA	NO LONGER AVAILABLE, Not available online / Call for pricing and availability
1	028789-000	DOOR ASSEMBLY (VMOS201CW)	1	EA	





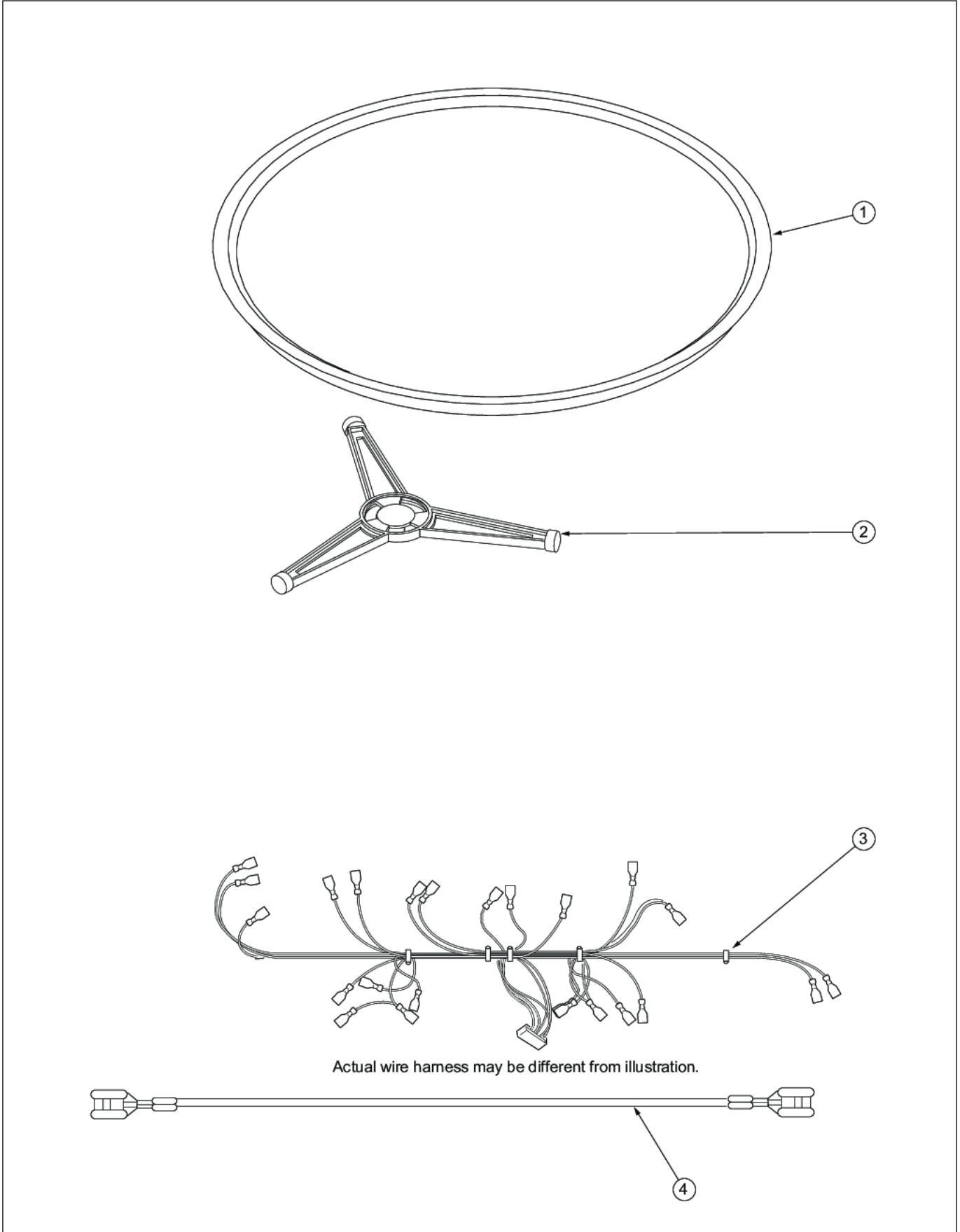
Item	Part No.	Name	Qty	Uom	NOTES
1	028790-000	DOOR ASSEMBLY (VMOS201OG)	1	EA	
1	028791-000	DOOR ASSEMBLY (VMOS201GM)	1	EA	
1	028792-000	DOOR ASSEMBLY (VMOS201SA)	1	EA	
2	PM110005	DOOR PANEL	1	EA	
3	PM110008	CHOKE COVER	1	EA	
4	022272-000	LATCH HEAD	1	EA	
5	PM120007	LATCH SPRING	1	EA	
NI	037204-000	BADGE	1	EA	

ELECTRIC PARTS



Item	Part No.	Name	Qty	Uom	NOTES
1	019066-000	AH SENSOR	1	EA	
2	PM100017	CAVITY TEMPERATURE FUSE 150+C	1	EA	
3	028717-000	FAN BLADE	1	EA	
4	065214-000	Fan motor	1	EA	
5	028718-000	POWER SUPPLY CORD	1	EA	
6	019110-000	SCREW 4MM X 12MM	1	EA	
7	028719-000	SCREW : 3MM X 8MM	3	EA	
8	005228-000	SCREW : 4 MM X 8 MM	3	EA	NO LONGER AVAILABLE, Not available online / Call for pricing and availability
9	PM100028	MONITOR SWITCH/FUSE KIT	1	EA	
10	PM100008	NOISE FILTER	1	EA	
11	PM100016	OVEN TEMP FUSE	1	EA	
12	PM120148	SCREW : 3MM X 14MM	2	EA	NO LONGER AVAILABLE, Not available online / Call for pricing and availability
13	019080-000	MAGNETRON	1	EA	
14	PM120142	Screw, 4mm X 10mm	1	EA	
15	PM100065	LIGHT BULB	1	EA	
16	028721-000	SCREW	1	EA	
17	PM100019	INTERLOCK SWITCH	3	EA	
18	028722-000	HIGH VOLTAGE RECTIFIER ASSEMBLY	1	EA	
19	028723-000	HIGH VOLTAGE CAPACITOR	1	EA	
20	028724-000	H.V. CAPACITOR BAND	1	EA	
21	019082-000	POWER TRANSFORMER	1	EA	
22	PM100069	TURNTABLE MOTOR	1	EA	
23	028725-000	TURNTABLE MOTOR PACKING	1	EA	

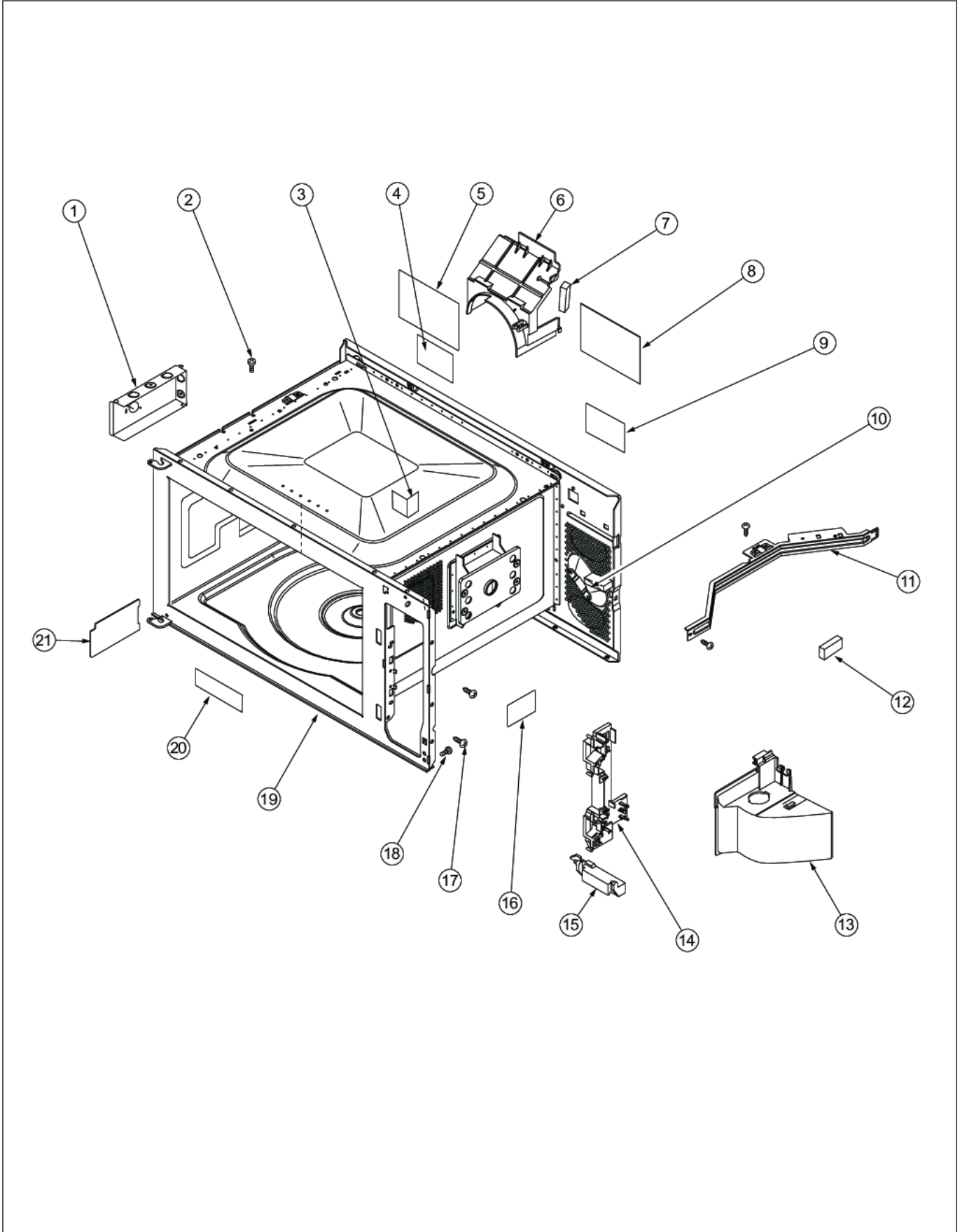
MISCELLANEOUS





Item	Part No.	Name	Qty	Uom	NOTES
1	PM110019	TT TRAY	1	EA	
2	028794-000	TURNTABLE SUPPORT	1	EA	
3	028795-000	MAIN WIRE HARNESS	1	EA	
4	028796-000	HIGH VOLTAGE WIRE A	1	EA	

OVEN PARTS



Item	Part No.	Name	Qty	Uom	NOTES
1	028753-000	SENSOR DUCT	1	EA	
2	PM120148	SCREW : 3MM X 14MM	3	EA	NO LONGER AVAILABLE, Not available online / Call for pricing and availability
3	028754-000	C/P CAVITY CUSHION	1	EA	
4	005196-000	GND CAUTION LABEL	1	EA	NO LONGER AVAILABLE, Not available online / Call for pricing and availability
5	022495-000	NHW CAUTION LABEL	1	EA	
6	028755-000	FAN DUCT	1	EA	
7	028756-000	FAN DUCT CUSHION	1	EA	
8	012012-000	BIK LABEL	1	EA	
9	028757-000	HWC CAUTION LABEL	1	EA	
10	028758-000	FAN MOTOR CUSHION	1	EA	
11	028759-000	CHASSIS SUPPORT	1	EA	
12	028760-000	MAG CUSHION	1	EA	
13	028761-000	MAGNETRON DUCT	1	EA	
14	057735-000	LATCH HOOK	1	EA	
15	028763-000	SWITCH LEVER	1	EA	
16	028764-000	MONITOR CAUTION LABEL	1	EA	
17	PM120003	SCREW	2	EA	NO LONGER AVAILABLE
18	028765-000	SCREW	1	EA	
19	028766-000	OVEN CAVITY / NOT REPLACEABLE	1	EA	Not available online / Call for pricing and availability
20	028767-000	MENU LABEL	1	EA	
21	028768-000	WAVEGUIDE COVER	1	EA	



Appendix A:Pages Index

CABINET PARTS 1
CONTROL PANEL 2
DOOR PARTS 3
ELECTRIC PARTS 4
MISCELLANEOUS 5
OVEN PARTS 6



Appendix B:Parts Index

001968-004	2	028745-000	2
001968-006	2	028746-000	2
001968-008	2	028747-000	2
005196-000	6	028748-000	2
005228-000	4	028749-000	2
012012-000	6	028750-000	2
019066-000	4	028751-000	2
019080-000	4	028753-000	6
019082-000	4	028754-000	6
019110-000	4	028755-000	6
022262-000	2	028756-000	6
022272-000	3	028757-000	6
022495-000	6	028758-000	6
028717-000	4	028759-000	6
028718-000	4	028760-000	6
028719-000	4	028761-000	6
028721-000	4	028763-000	6
028722-000	4	028764-000	6
028723-000	4	028765-000	6
028724-000	4	028766-000	6
028725-000	4	028767-000	6
028726-000	1	028768-000	6
028727-000	1	028769-000	3
028728-000	1	028770-000	3
028729-000	1	028771-000	3
028730-000	2	028772-000	3
028731-000	2	028773-000	3
028732-000	2	028774-000	3
028733-000	2	028775-000	3
028734-000	2	028776-000	3
028735-000	2	028777-000	3
028736-000	2	028778-000	3
028737-000	2	028779-000	3
028738-000	2	028780-000	3
028739-000	2	028781-000	3
028740-000	2	028782-000	3
028741-000	2	028783-000	3
028742-000	2	028784-000	3
028743-000	2	028785-000	3
028744-000	2	028786-000	3
		028787-000	3



028788-000 3
028789-000 3
028790-000 3
028791-000 3
028792-000 3
028794-000 5
028795-000 5
028796-000 5
037204-000 3
057735-000 6
065214-000 4
065218-000 2
PM100008 4
PM100016 4
PM100017 4
PM100019 4
PM100028 4
PM100065 4
PM100069 4
PM110005 3
PM110008 3
PM110019 5
PM120003 6
PM120005 1
PM120007 3
PM120021 2
PM120044 2
PM120142 4
PM120148 4, 6
PM120159 1