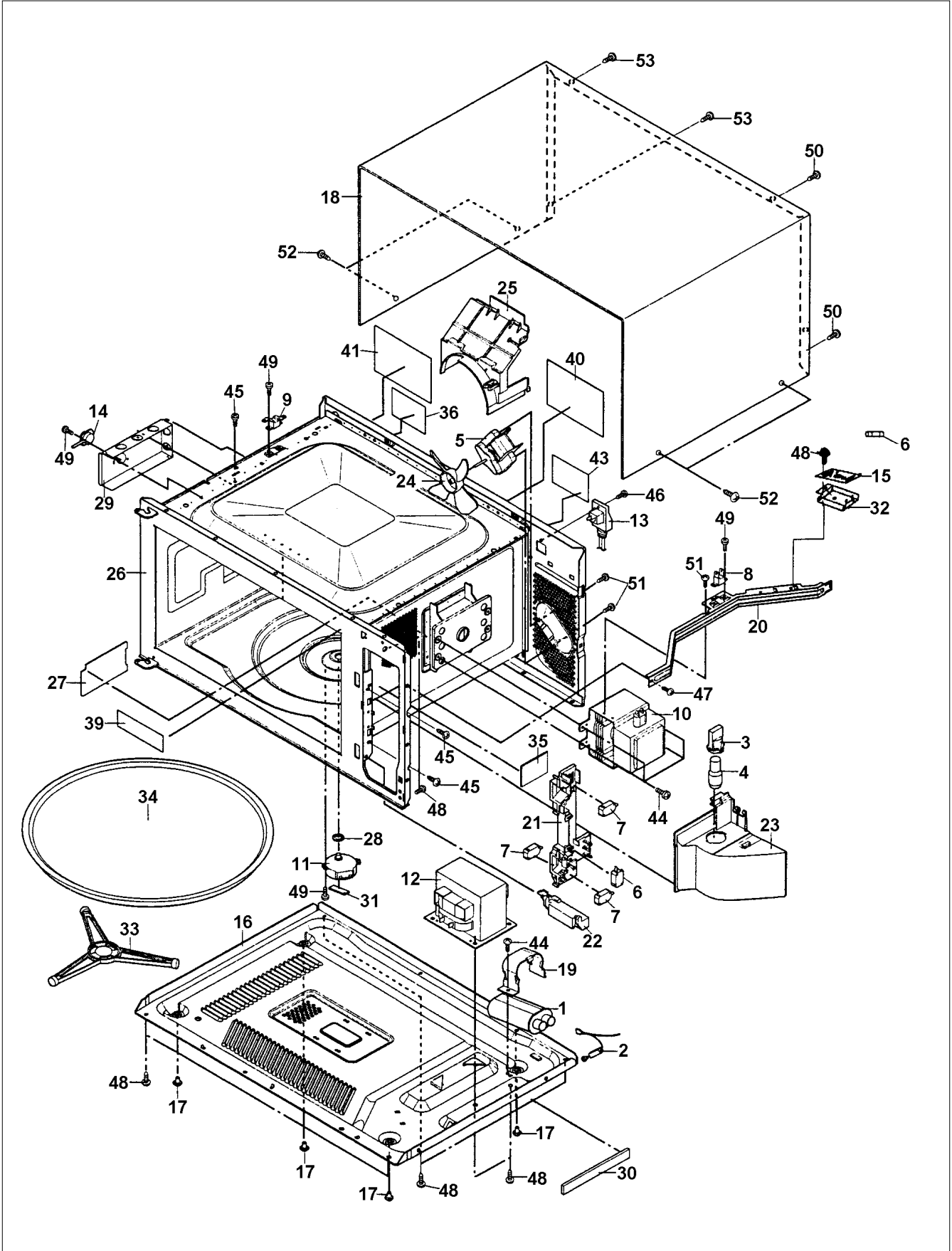


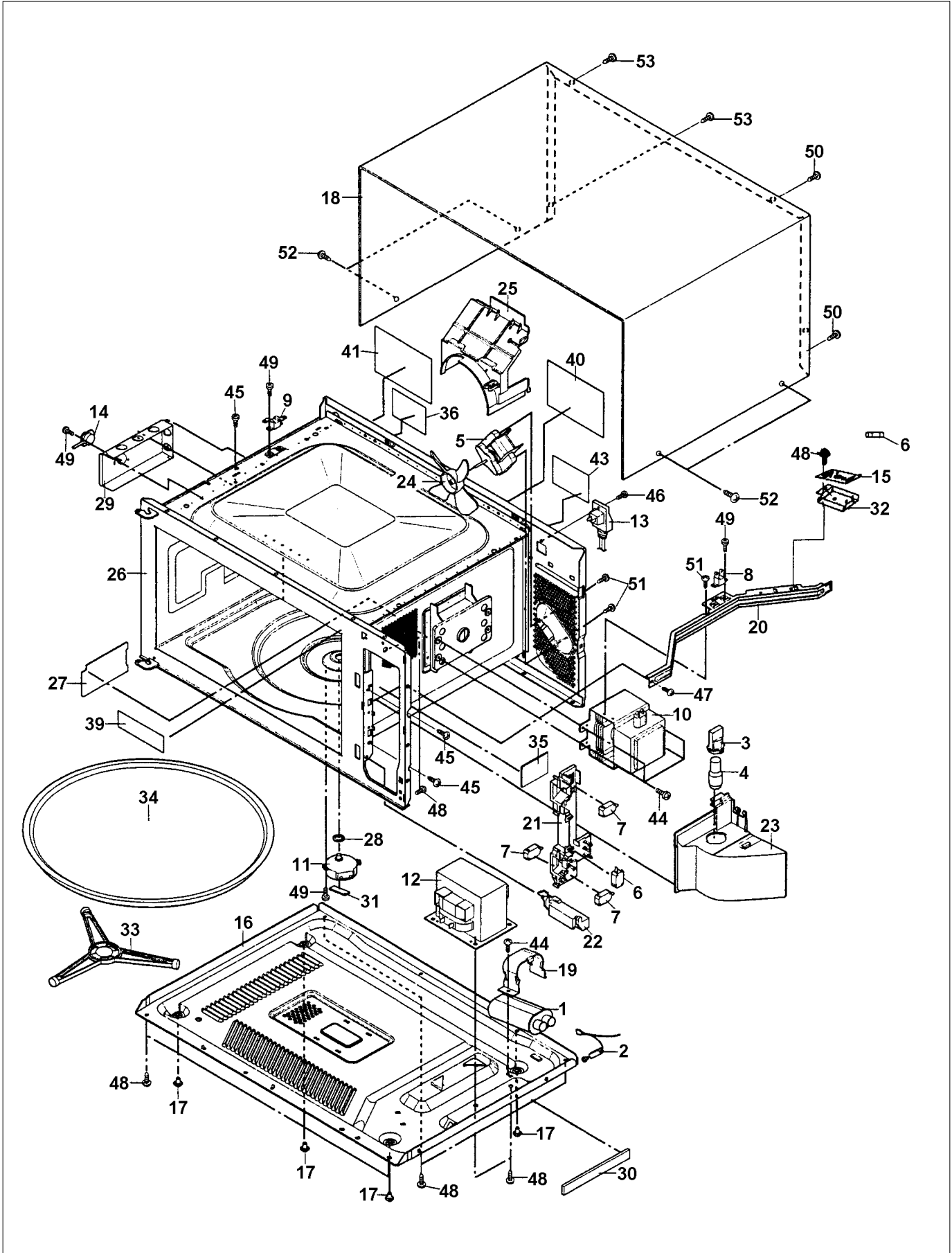
VMOS200

CABINET PARTS	1
CONTROL PANEL	2
DOOR ASSY	3
WIRING ASSY	4
Appendix A:Pages Index	A
Appendix B:Parts Index	B

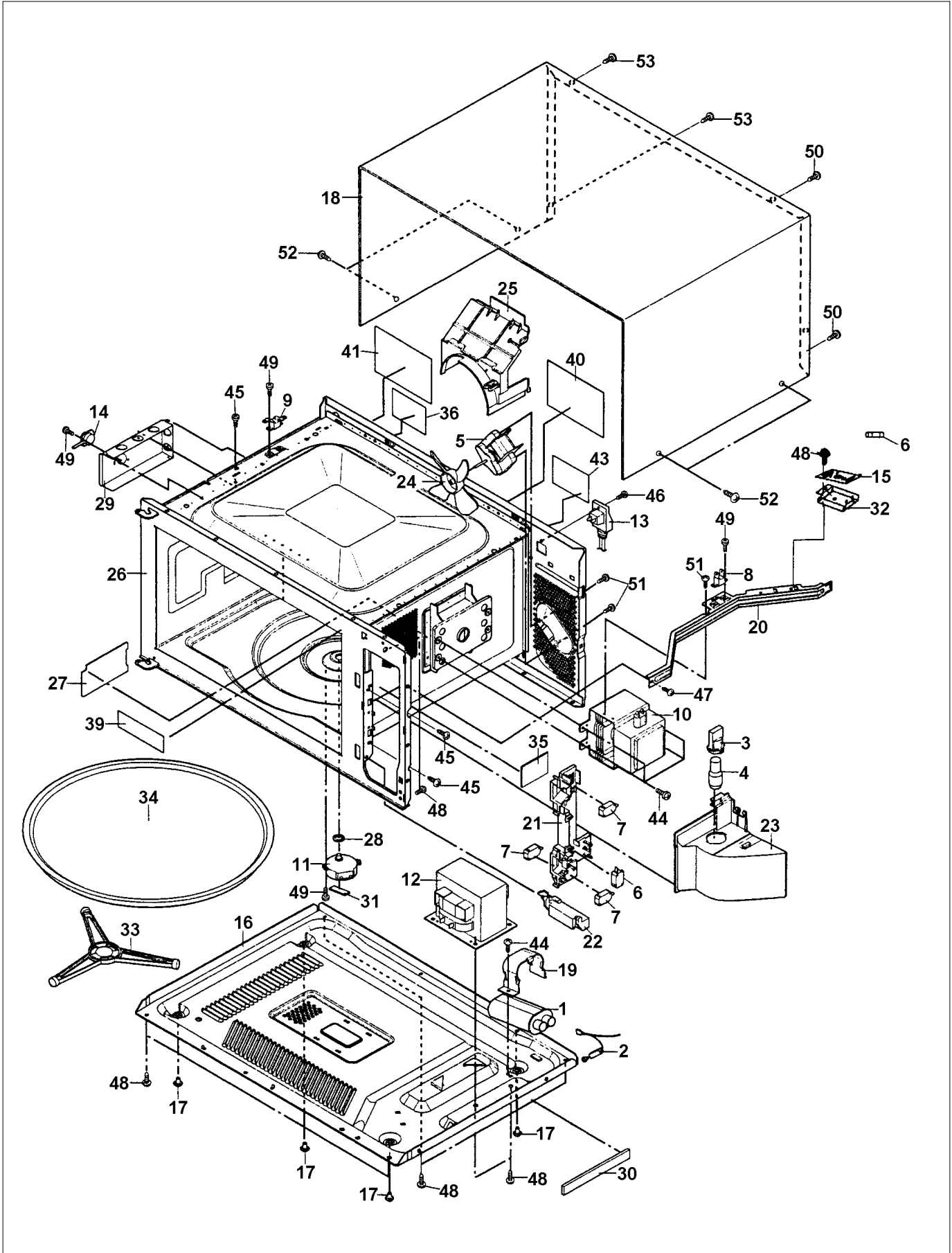
CABINET PARTS



Item	Part No.	Name	Qty	Uom	NOTES
1	PM100021	HIGH VOLT. CAPACITOR		EA	
2	PM100005	HIGH VOLTAGE RECTIF.		EA	
3	PM100018	LAMP SOCKET		EA	
Not Shown	NOTE	(Before 02/01/03)		EA	
4	PM100081	Hood / Oven Lamp		EA	
Not Shown	NOTE	(Before 02/01/03)		EA	
NI	PM100065	LIGHT BULB		EA	
Not Shown	NOTE	(After 02/01/03)		EA	
5	065214-000	Fan motor		EA	
6	PM100028	MONITOR SWITCH/FUSE KIT		EA	
7	PM100019	INTERLOCK SWITCH		EA	
8	PM100016	OVEN TEMP FUSE		EA	
9	PM100017	CAVITY TEMPERATURE FUSE 150+C		EA	
10	PM100073	Magnetron		EA	
Not Shown	NOTE	(These parts may cause undue microwave exposure. Use EXTREME Caution)		EA	
11	PM100069	TURNTABLE MOTOR		EA	
Not Shown	NOTE	(These parts may cause undue microwave exposure. Use EXTREME Caution)		EA	
12	019082-000	POWER TRANSFORMER		EA	
13	PM100002	POWER CORD		EA	
14	PM100003	AH SENSOR		EA	
15	PM100008	NOISE FILTER		EA	
16	PM110009	BASE PLATE		EA	
17	PM110010	FOOT		EA	
18	PM110007	OUTERCASE CABINET		EA	
19	PM100013	H.V. CAPACITOR BAND		EA	
20	PM110017	CHASSIS SUPPORT		EA	
21	057735-000	LATCH HOOK		EA	
22	PM120006	SWITCH LEVER		EA	
23	PM120013	MAGNETRON DUCT		EA	



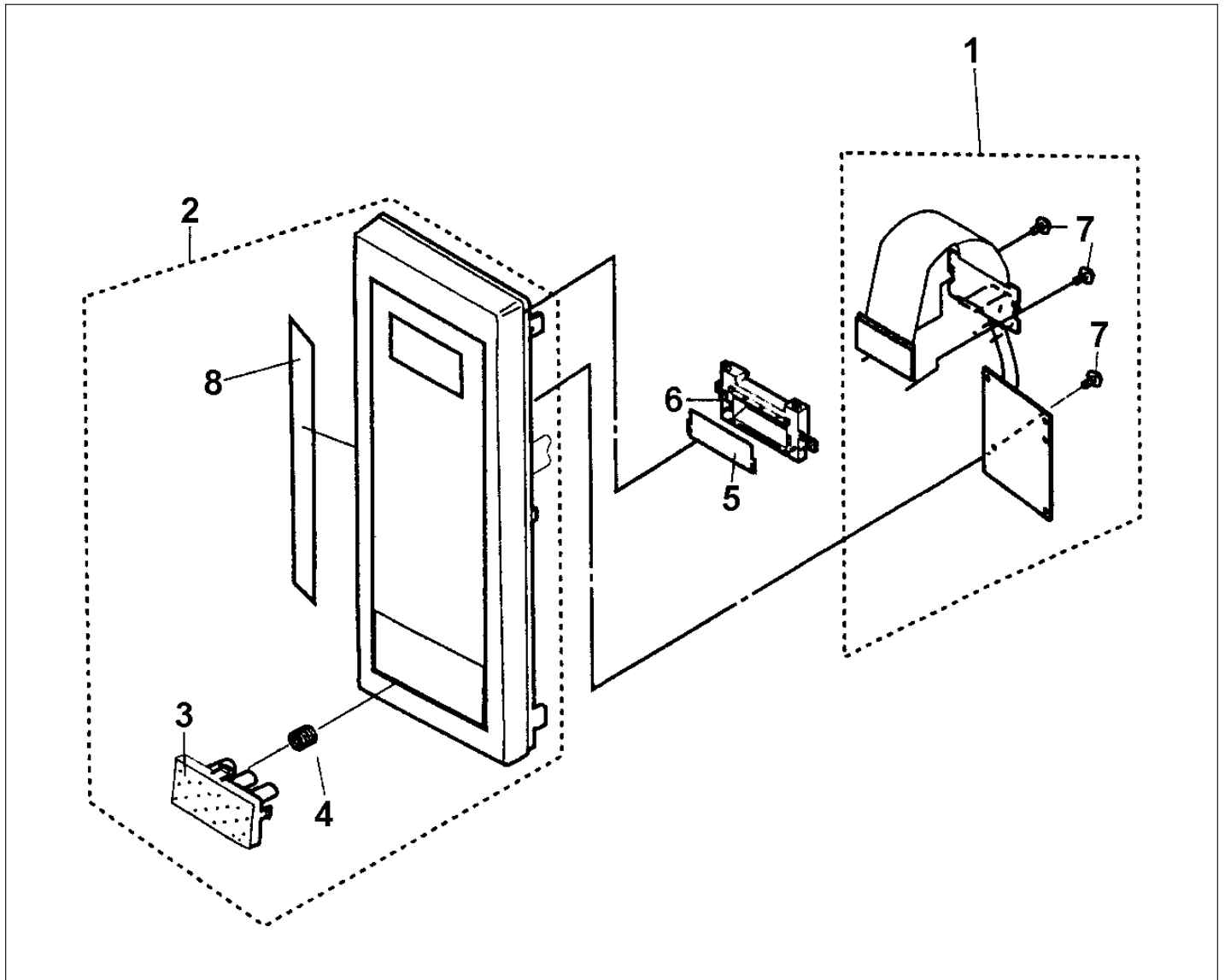
Item	Part No.	Name	Qty	Uom	NOTES
24	PM110018	FAN BLADE		EA	
25	PM120011	FAN DUCT		EA	
26	Not Replaceable	Module Pan		EA	Not available online / Call for pricing and availability
27	PM110020	WAVEGUIDE COVER		EA	
28	PM120015	TURNTABLE MOTOR PACKING		EA	
29	PM120012	SENSOR DUCT		EA	
30	PM120010	CUSHION		EA	NO LONGER AVAILABLE
31	PM120009	TT MOTOR CUSHION		EA	
32	PM110016	ANGLE		EA	NO LONGER AVAILABLE
33	028794-000	TURNTABLE SUPPORT		EA	
34	PM110019	TT TRAY		EA	
35	PM120034	MONITOR CAUTION LABEL		EA	
36	PM120018	UL LABEL		EA	NO LONGER AVAILABLE, Not available online / Call for pricing and availability
37	PM120024	OPERATION MANUAL, TINSEB310MRR2		EA	
38	PM120035	RECIPE CARD TCADUB010MRR0		EA	Not available online / Call for pricing and availability
39	PM120036	MENU LABEL		EA	Not available online / Call for pricing and availability
40	PM120017	DHHS LABEL		EA	NO LONGER AVAILABLE, Not available online / Call for pricing and availability
41	PM120019	NHW CAUTION LABEL		EA	NO LONGER AVAILABLE, Not available online / Call for pricing and availability
42	PM120021	USER CAUTION LABEL		EA	NO LONGER AVAILABLE





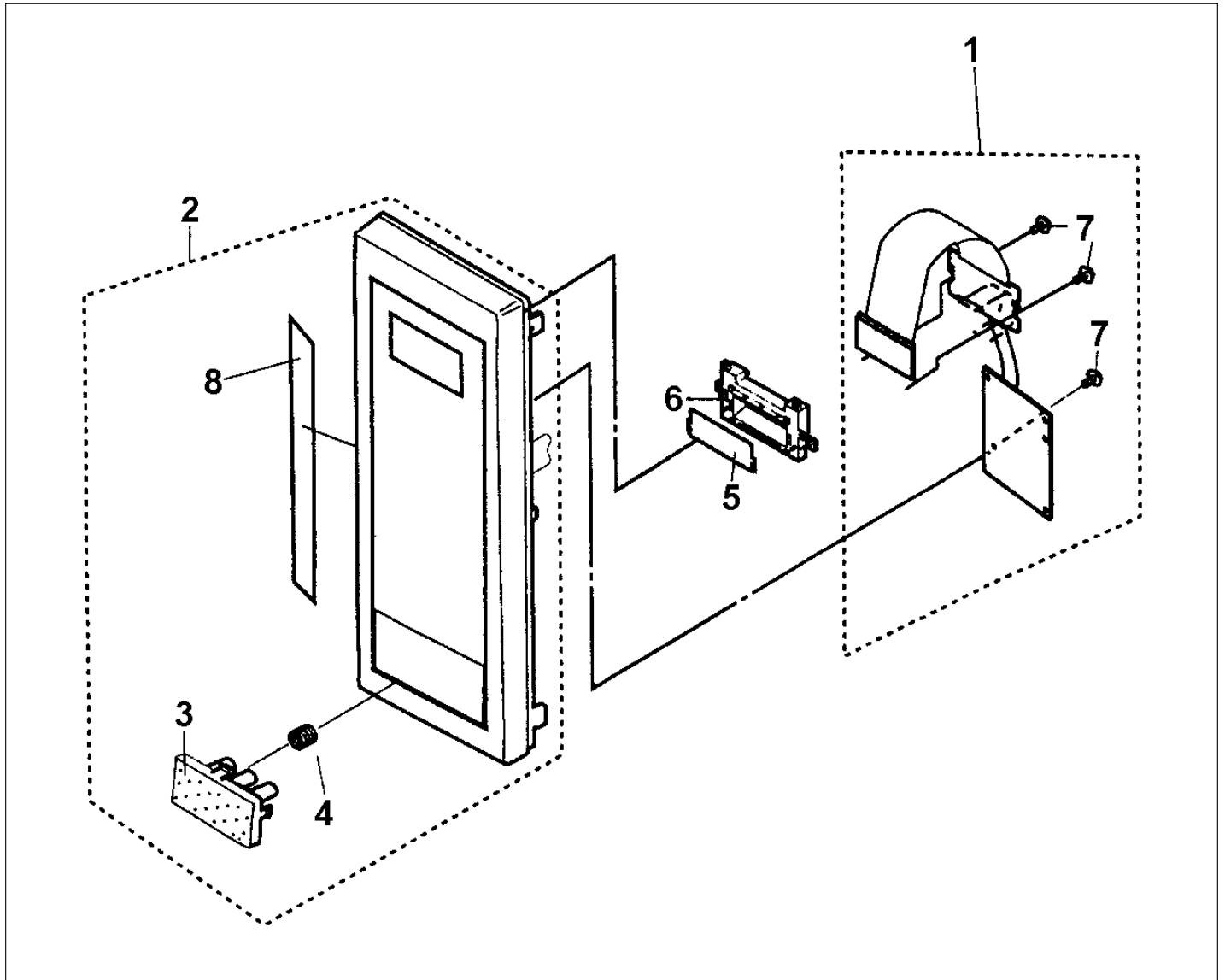
Item	Part No.	Name	Qty	Uom	NOTES
43	PM120022	BIK CAUTION LABEL, TCAUSB007MRR0		EA	NO LONGER AVAILABLE, Not available online / Call for pricing and availability
44	PM120002	SPECIAL SCREW		EA	
45	PM120003	SCREW		EA	NO LONGER AVAILABLE
46	PM120028	SCREW WWASHER		EA	NO LONGER AVAILABLE
47	PM120029	SCREW		EA	NO LONGER AVAILABLE
48	PM120030	SCREW, XOTSD40P12000		EA	
49	PM120025	SCREW		EA	NO LONGER AVAILABLE
50	PM120004	SPECIAL SCREW		EA	
51	PM120027	SCREW		EA	NO LONGER AVAILABLE
52	PM120037	CABINET SCREW XOTSE40P12000		EA	
53	PM120005	SCREW		EA	
NI	016087-000	CUSHION		EA	

CONTROL PANEL





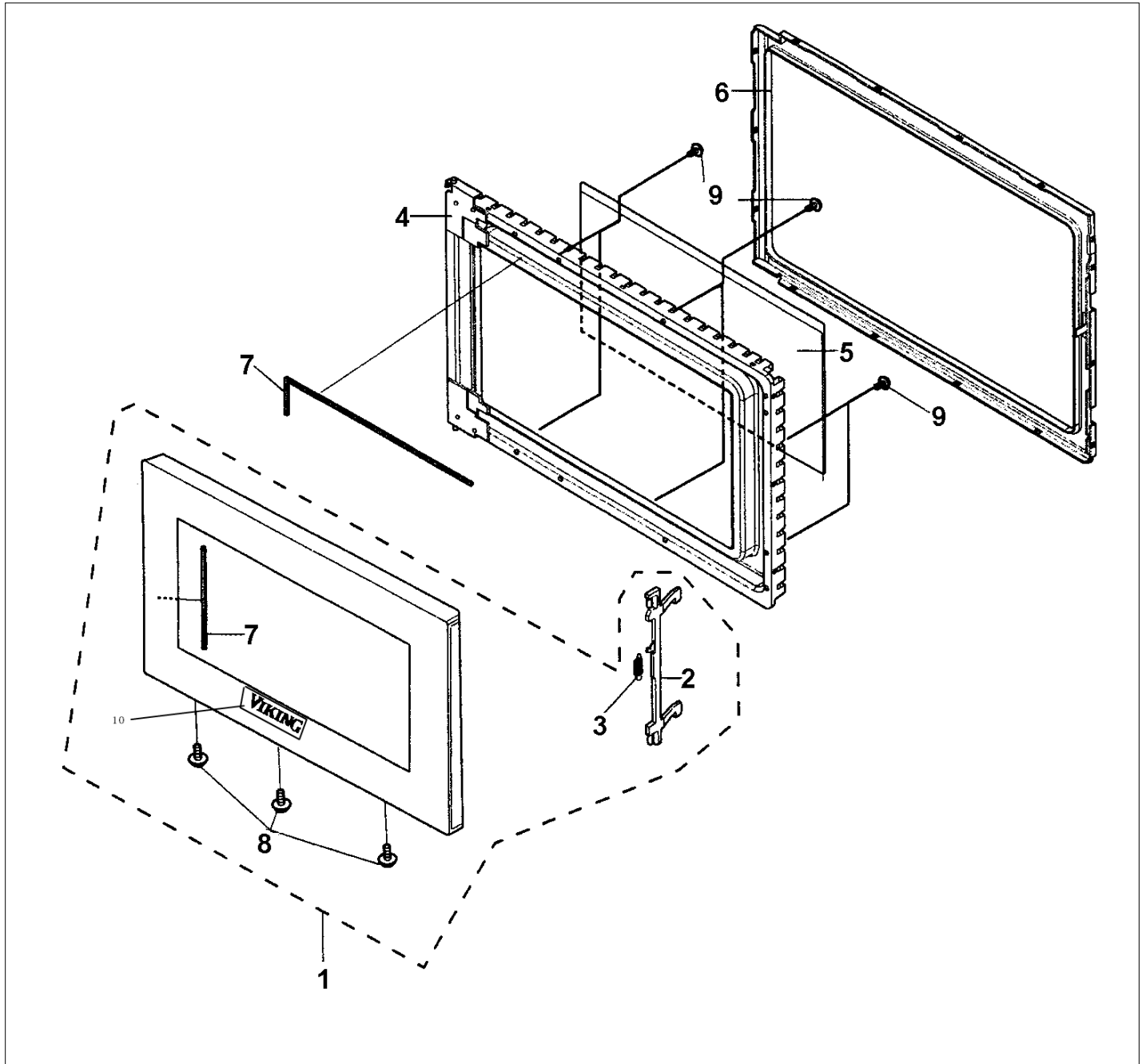
Item	Part No.	Name	Qty	Uom	NOTES
1	PM100001	CONTROL UNIT	1	EA	
2	028730-000	CONTROL PANEL FRAME WITH KEY UNIT (VMOS201SS)	1	EA	
001968-002	028744-000	CONTROL PANEL FRAME WITH KEY UNIT (VMOS201BK)	1	EA	
Not Shown	001968-006	CONTROL PANEL FRAME W/KEY UNIT - WH	1	EA	NO LONGER AVAILABLE
Not Shown	001968-007	CONTROL PANEL FRAME W/KEY UNIT - AL	1	EA	NO LONGER AVAILABLE, Not available online / Call for pricing and availability
Not Shown	001968-003	CONTROL PANEL FRAME W/KEY UNIT - BT	1	EA	
Not Shown	001968-004	CONTROL PANEL FRAME W/KEY UNIT - SG - NLA	1	EA	
Not Shown	001968-005	CONTROL PANEL FRAME W/KEY UNIT - GG	1	EA	NO LONGER AVAILABLE
Not Shown	001968-008	CONTROL PANEL FRAME WITH KEY UNIT (VMOS201BU)	1	EA	NO LONGER AVAILABLE, Not available online / Call for pricing and availability
Not Shown	001968-009	CONTROL PANEL FRAME W/KEY UNIT - LE	1	EA	NO LONGER AVAILABLE, Not available online / Call for pricing and availability
Not Shown	001968-010	CONTROL PANEL FRAME W/KEY UNIT - MJ	1	EA	NO LONGER AVAILABLE, Not available online / Call for pricing and availability
Not Shown	001968-011	CONTROL PANEL FRAME W/KEY UNIT - FG	1	EA	NO LONGER AVAILABLE, Not available online / Call for pricing and availability
Not Shown	001968-012	CONTROL PANEL FRAME W/KEY UNIT - VB	1	EA	
Not Shown	001968-013	CONTROL PANEL FRAME W/KEY UNIT - CB	1	EA	NO LONGER AVAILABLE, Not available online / Call for pricing and availability
Not Shown	001968-014	CONTROL PANEL FRAME W/KEY UNIT - EP	1	EA	NO LONGER AVAILABLE, Not available online / Call for pricing and availability





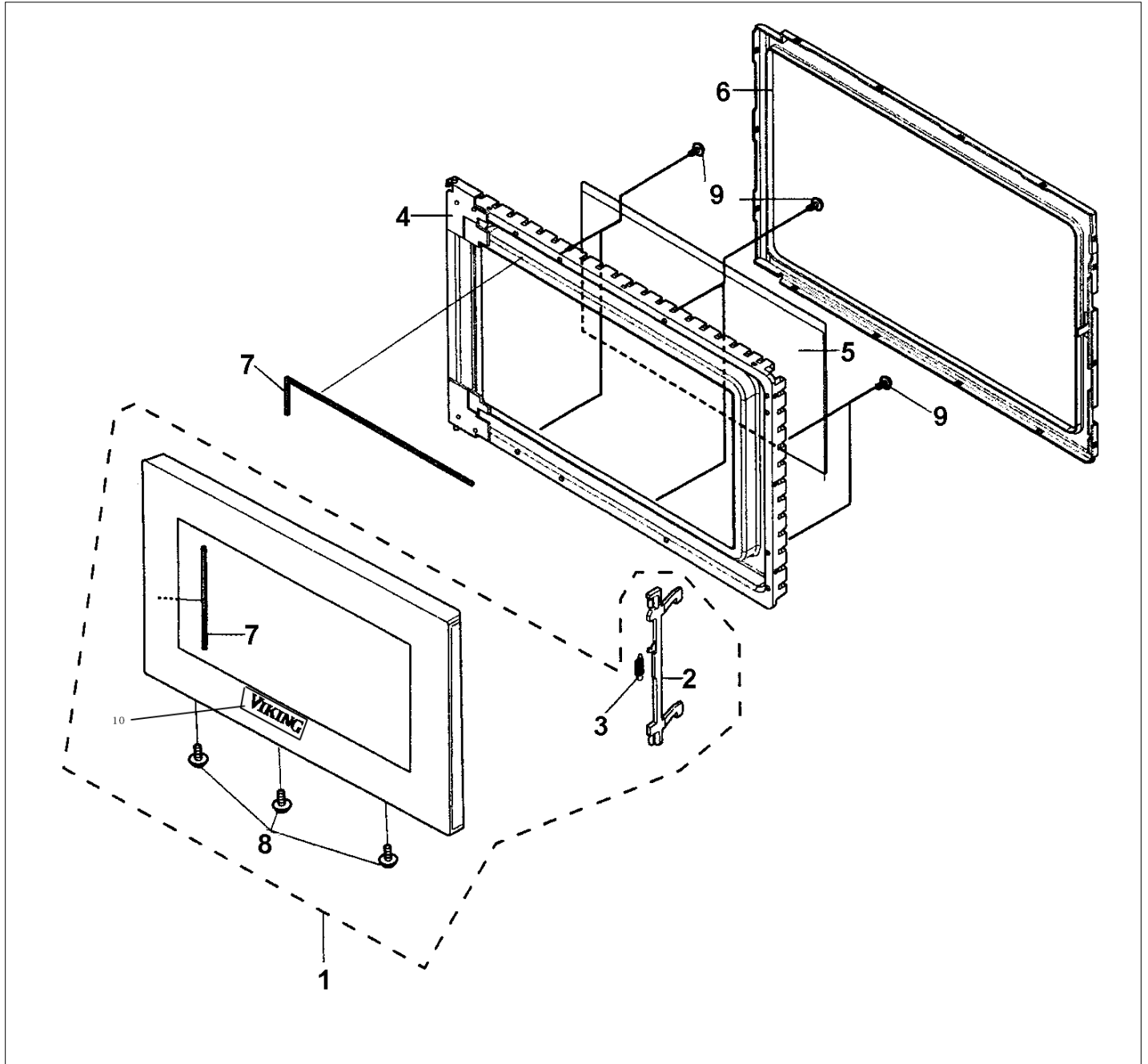
Item	Part No.	Name	Qty	Uom	NOTES
3	PM110013	OPEN BUTTON	1	EA	
4	PM120044	OPEN BUTTON SPRING	1	EA	
5	PM100015	LED SHEET	1	EA	
6	PM100014	LCD HOLDER	1	EA	
7	PM120026	SCREW	1	EA	
8	PM120021	USER CAUTION LABEL	1	EA	NO LONGER AVAILABLE

DOOR ASSY





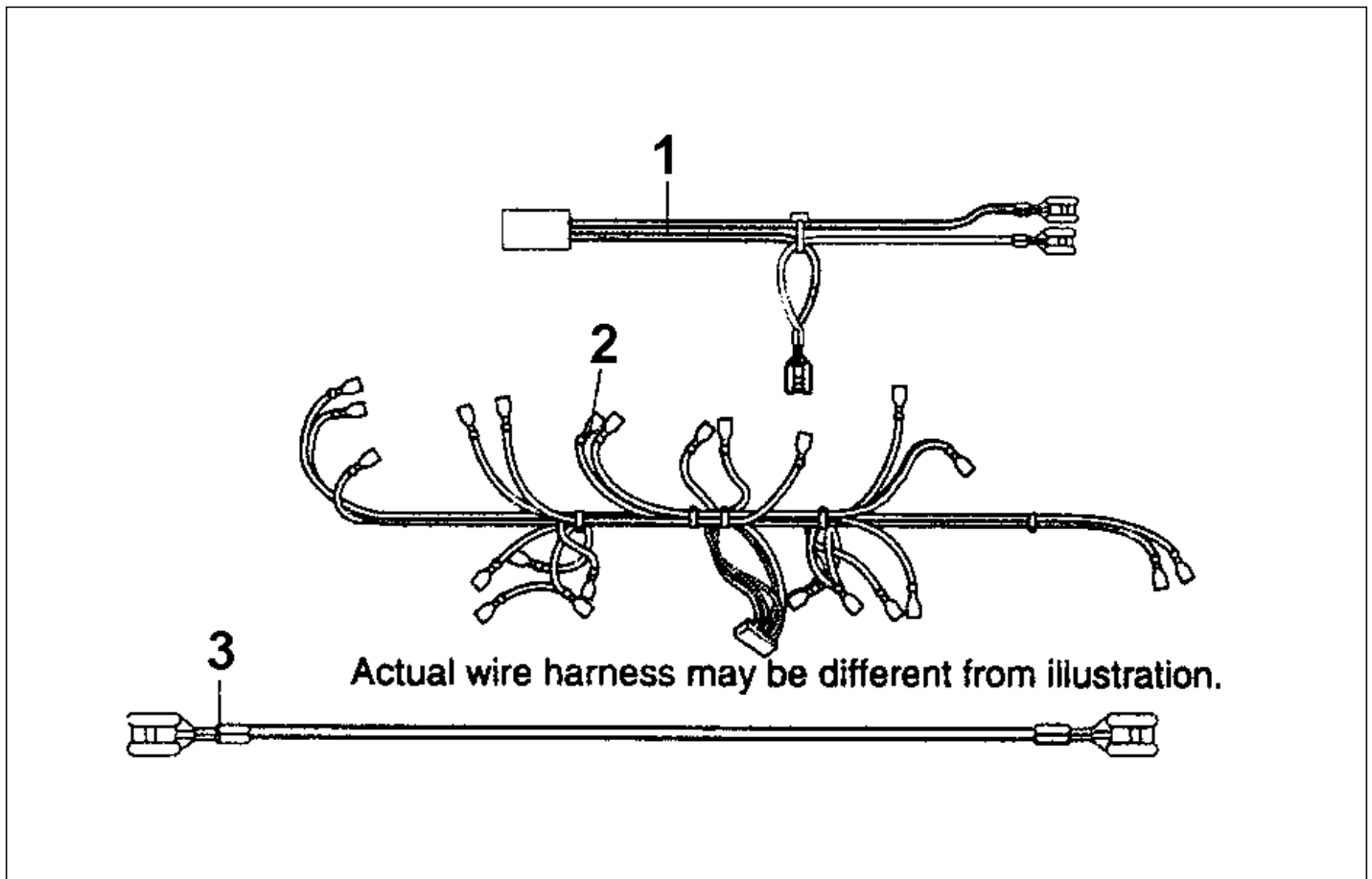
Item	Part No.	Name	Qty	Uom	NOTES
1	PM110001	DOOR FRAME ASSY, FCOV-B212MRK0 VIKING LOGO	1	EA	
Not Shown	001967-002	DOOR FRAME ASSY - BK	1	EA	Not available online / Call for pricing and availability
Not Shown	001967-006	DOOR FRAME ASSY - WH - NLA	1	EA	NO LONGER AVAILABLE
Not Shown	001967-007	DOOR FRAME ASSY - AL	1	EA	NO LONGER AVAILABLE, Not available online / Call for pricing and availability
Not Shown	001967-003	DOOR FRAME ASSY - BT	1	EA	
Not Shown	001967-004	DOOR FRAME ASSY - SG	1	EA	NO LONGER AVAILABLE, Not available online / Call for pricing and availability
Not Shown	001967-005	DOOR FRAME ASSY - GG	1	EA	NO LONGER AVAILABLE, Not available online / Call for pricing and availability
Not Shown	001967-008	DOOR FRAME ASSY - BU	1	EA	
Not Shown	001967-009	DOOR FRAME ASSY - LE	1	EA	NO LONGER AVAILABLE, Not available online / Call for pricing and availability
Not Shown	001967-010	DOOR FRAME ASSY - MJ	1	EA	NO LONGER AVAILABLE, Not available online / Call for pricing and availability
Not Shown	001967-011	DOOR FRAME ASSY - FG	1	EA	NO LONGER AVAILABLE, Not available online / Call for pricing and availability
Not Shown	001967-012	DOOR FRAME ASSY - VB	1	EA	Not available online / Call for pricing and availability
Not Shown	001967-013	DOOR FRAME ASSY - CB	1	EA	NO LONGER AVAILABLE, Not available online / Call for pricing and availability





Item	Part No.	Name	Qty	Uom	NOTES
Not Shown	001967-014	DOOR FRAME ASSY - EP	1	EA	NO LONGER AVAILABLE, Not available online / Call for pricing and availability
Not Shown	001967-015	DOOR FRAME ASSY - PL	1	EA	Not available online / Call for pricing and availability
2	PM120001	LATCH HEAD	1	EA	
3	PM120007	LATCH SPRING	1	EA	
4	PM110005	DOOR PANEL	1	EA	
5	PM120016	SEALER FILM	1	EA	
6	PM110008	CHOKE COVER	1	EA	
7	PM120032	DOOR CUSHION PCUSUB058MRP0	1	EA	
8	PM120033	SCREW ; CONTROL PANEL MTG.	1	EA	
9	PM120026	SCREW	1	EA	
10	PE010020	LOGO - PROFESSIONAL - VRTR, *BK* ASSY	1	EA	

WIRING ASSY





Item	Part No.	Name	Qty	Uom	NOTES
1	PM100011	LOW VOLTAGE HARNESS	1	EA	
2	PM100012	MAIN WIRE HARNESS	1	EA	
3	PM100020	HIGH VOLTAGE WIRE A	1	EA	



Appendix A:Pages Index

CABINET PARTS	1
CONTROL PANEL	2
DOOR ASSY	3
WIRING ASSY	4



Appendix B:Parts Index

001967-002	3	PM100011	4
001967-003	3	PM100012	4
001967-004	3	PM100013	1
001967-005	3	PM100014	2
001967-006	3	PM100015	2
001967-007	3	PM100016	1
001967-008	3	PM100017	1
001967-009	3	PM100018	1
001967-010	3	PM100019	1
001967-011	3	PM100020	4
001967-012	3	PM100021	1
001967-013	3	PM100028	1
001967-014	3	PM100065	1
001967-015	3	PM100069	1
001968-003	2	PM100073	1
001968-004	2	PM100081	1
001968-005	2	PM110001	3
001968-006	2	PM110005	3
001968-007	2	PM110007	1
001968-008	2	PM110008	3
001968-009	2	PM110009	1
001968-010	2	PM110010	1
001968-011	2	PM110013	2
001968-012	2	PM110016	1
001968-013	2	PM110017	1
001968-014	2	PM110018	1
016087-000	1	PM110019	1
019082-000	1	PM110020	1
028730-000	2	PM120001	3
028744-000	2	PM120002	1
028794-000	1	PM120003	1
057735-000	1	PM120004	1
065214-000	1	PM120005	1
Not Replaceable	1	PM120006	1
PE010020	3	PM120007	3
PM100001	2	PM120009	1
PM100002	1	PM120010	1
PM100003	1	PM120011	1
PM100005	1	PM120012	1
PM100008	1	PM120013	1
		PM120015	1



PM120016 3
PM120017 1
PM120018 1
PM120019 1
PM120021 1, 2
PM120022 1
PM120024 1
PM120025 1
PM120026 2, 3
PM120027 1
PM120028 1
PM120029 1
PM120030 1
PM120032 3
PM120033 3
PM120034 1
PM120035 1
PM120036 1
PM120037 1
PM120044 2