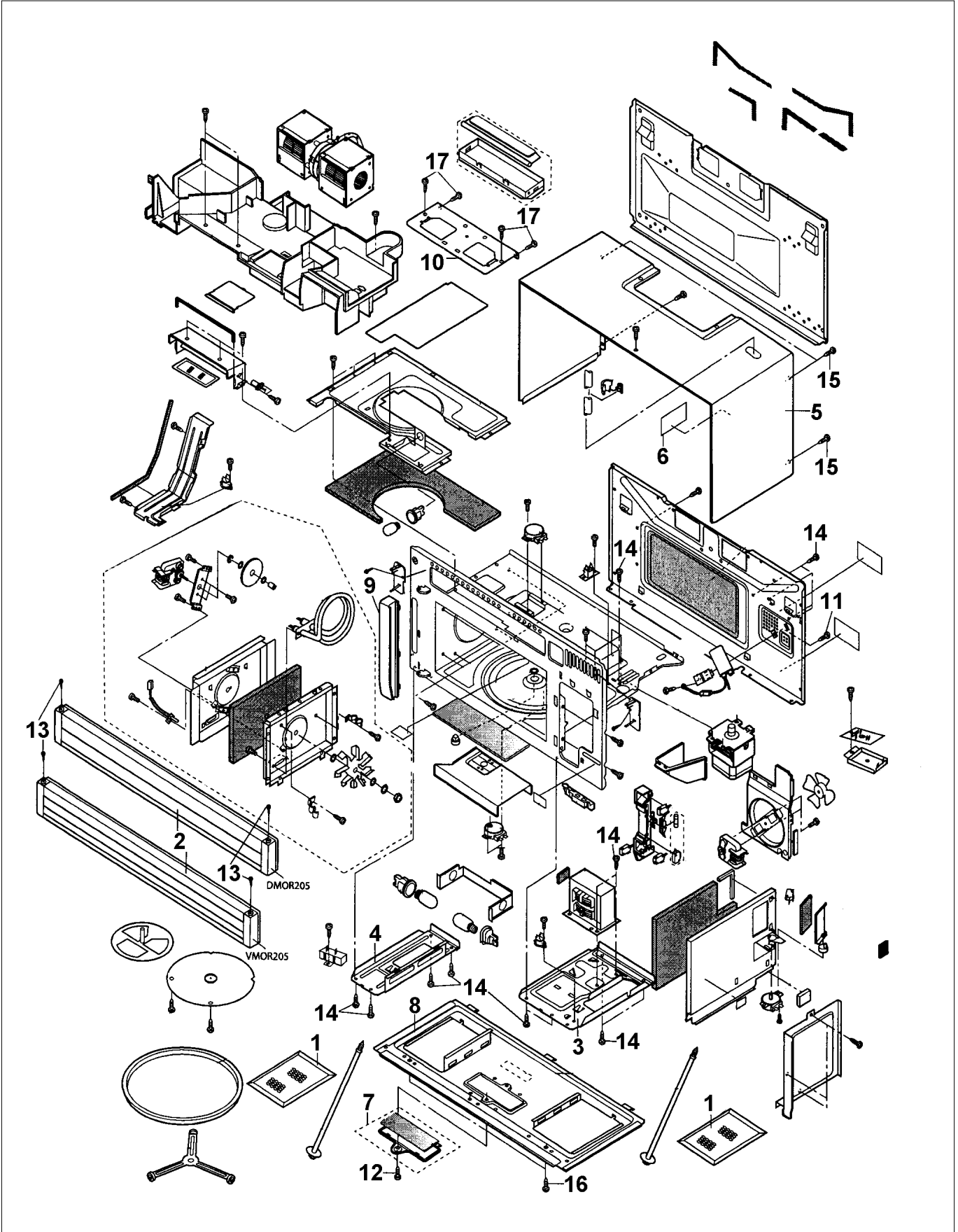


**VMOR205**

CABINET PARTS .....	1
CONTROL PANEL PARTS .....	2
DOOR PARTS .....	3
ELECTRIC PARTS .....	4
OVEN PARTS .....	5
OVEN PARTS (CONT) .....	6
WIRING AND MISC .....	7
Appendix A:Pages Index .....	A
Appendix B:Parts Index .....	B



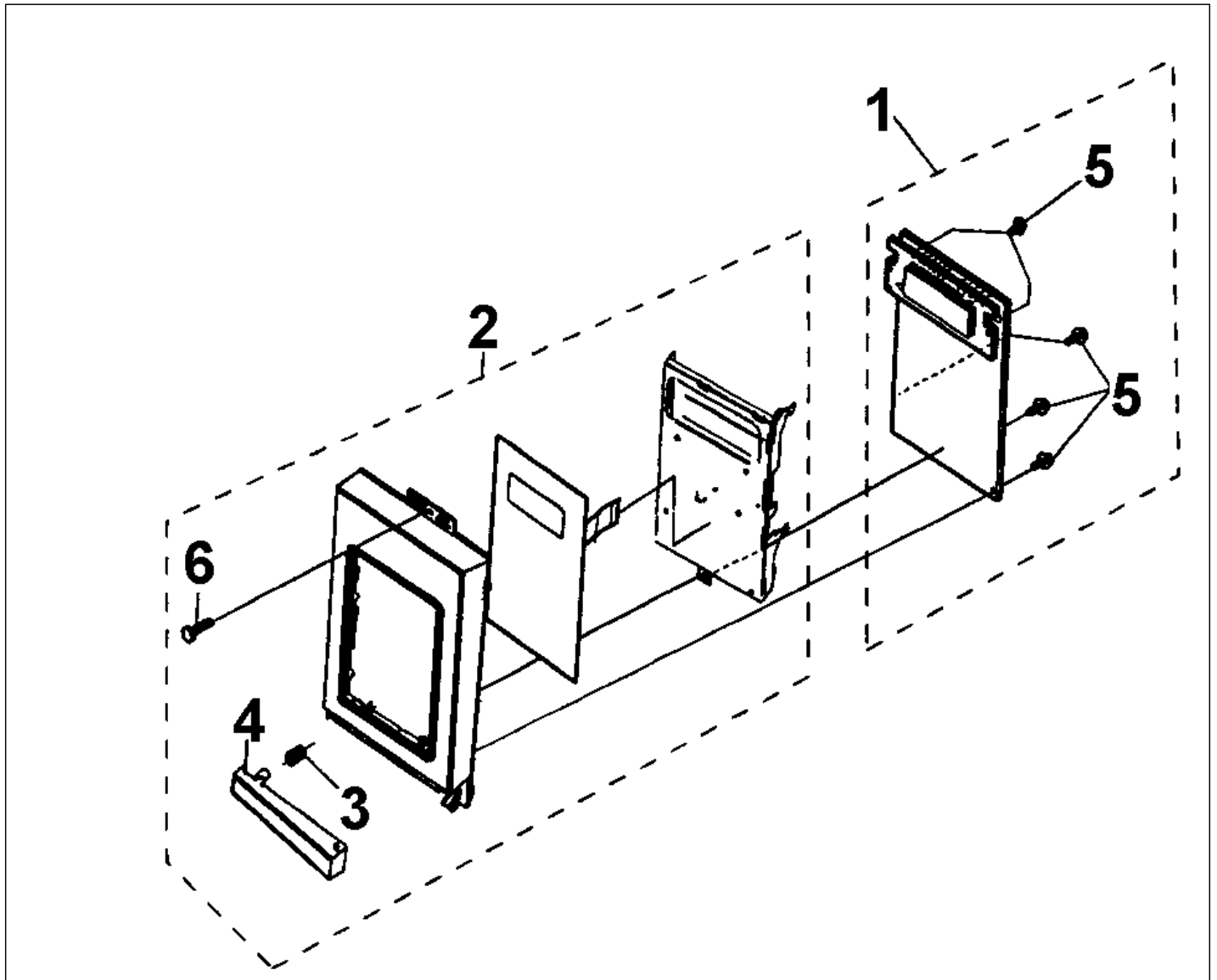
CABINET PARTS





Item	Part No.	Name	Qty	Uom	NOTES
1	PM110064	Grease Filter	1	EA	
2	PM110065	Hood Exhaust Louver (VMOR205SS)	1	EA	
3	PM110067	Base Plate - Right	1	EA	
4	PM110068	Base Plate - Left	1	EA	
5	022399-000	OUTER CASE CABINET	1	EA	
6	PM120102	Schematic Diagram (TMAPCB103MRR0)	1	EA	NO LONGER AVAILABLE, Not available online / Call for pricing and availability
7	PM110070	Hood Lamp Glass Assembly	1	EA	
8	PM110071	Base Cover	1	EA	
9	PM110072	LEFT SNASH ASSEMBLY	1	EA	
10	PM110074	Rear Stay	1	EA	
11	PM120141	Screw, 4mm X 8mm	1	EA	NO LONGER AVAILABLE, Not available online / Call for pricing and availability
12	PM120142	Screw, 4mm X 10mm	1	EA	
13	PM120033	SCREW ; CONTROL PANEL MTG.	1	EA	
14	PM120146	SCREW : 4MM X 12MM	1	EA	
15	PM120004	SPECIAL SCREW	1	EA	
16	PM120153	Screw, 4mm X 12mm	1	EA	
17	PM120159	SCREW	1	EA	

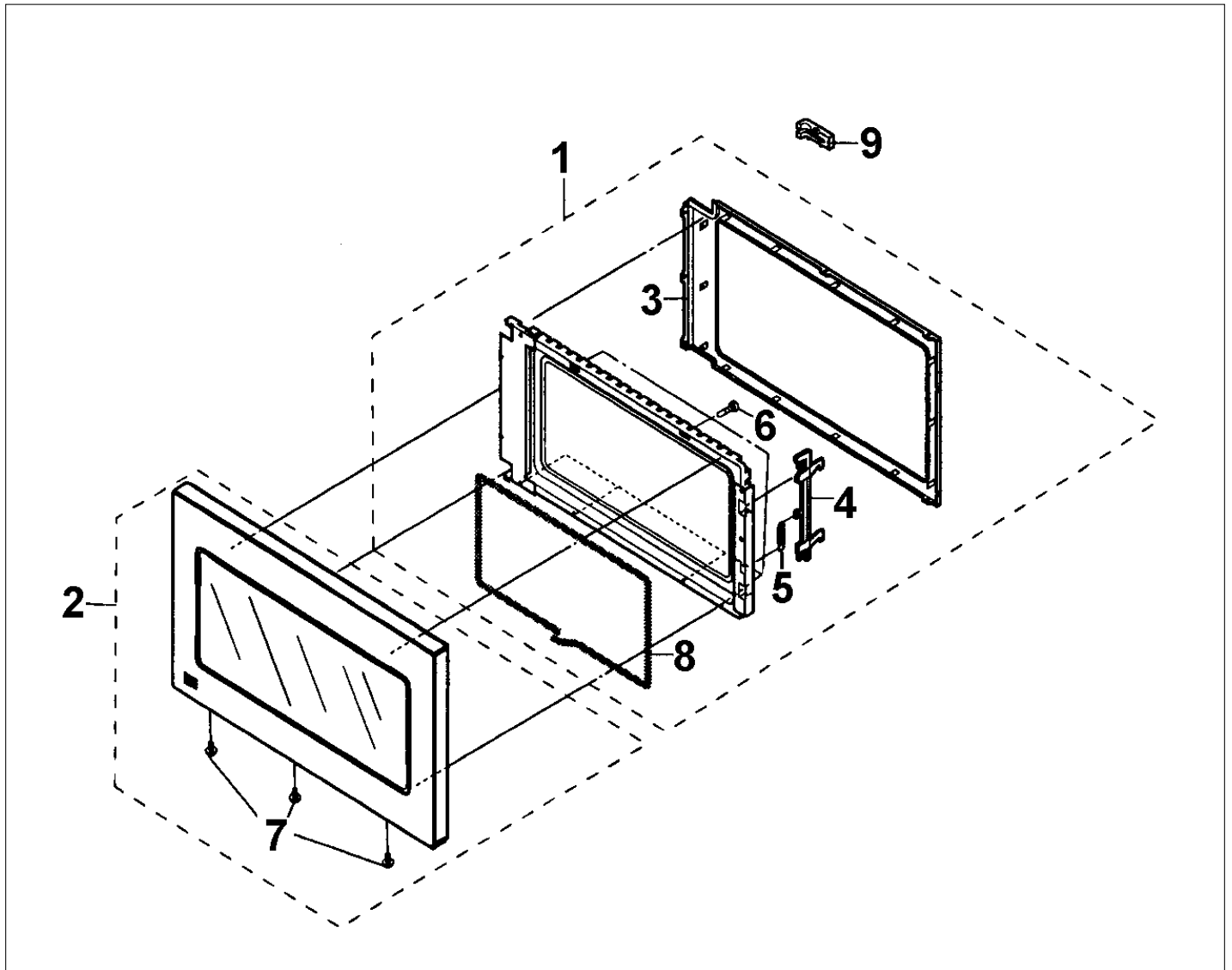
## CONTROL PANEL PARTS





Item	Part No.	Name	Qty	Uom	NOTES
1	PM100087	Control Unit	1	EA	
2	PM100088	Control Panel Subassy- NLA	1	EA	
3	PM120044	OPEN BUTTON SPRING	1	EA	
4	PM120103	Open Button Assy (VMOR205SS)(FDECAB081MRK 0C)	1	EA	
5	PM120105	Screw, 3mm X 10mm(XEPSD30P10XS0)	1	EA	NO LONGER AVAILABLE, Not available online / Call for pricing and availability
6	PM120146	SCREW : 4MM X 12MM	1	EA	

DOOR PARTS

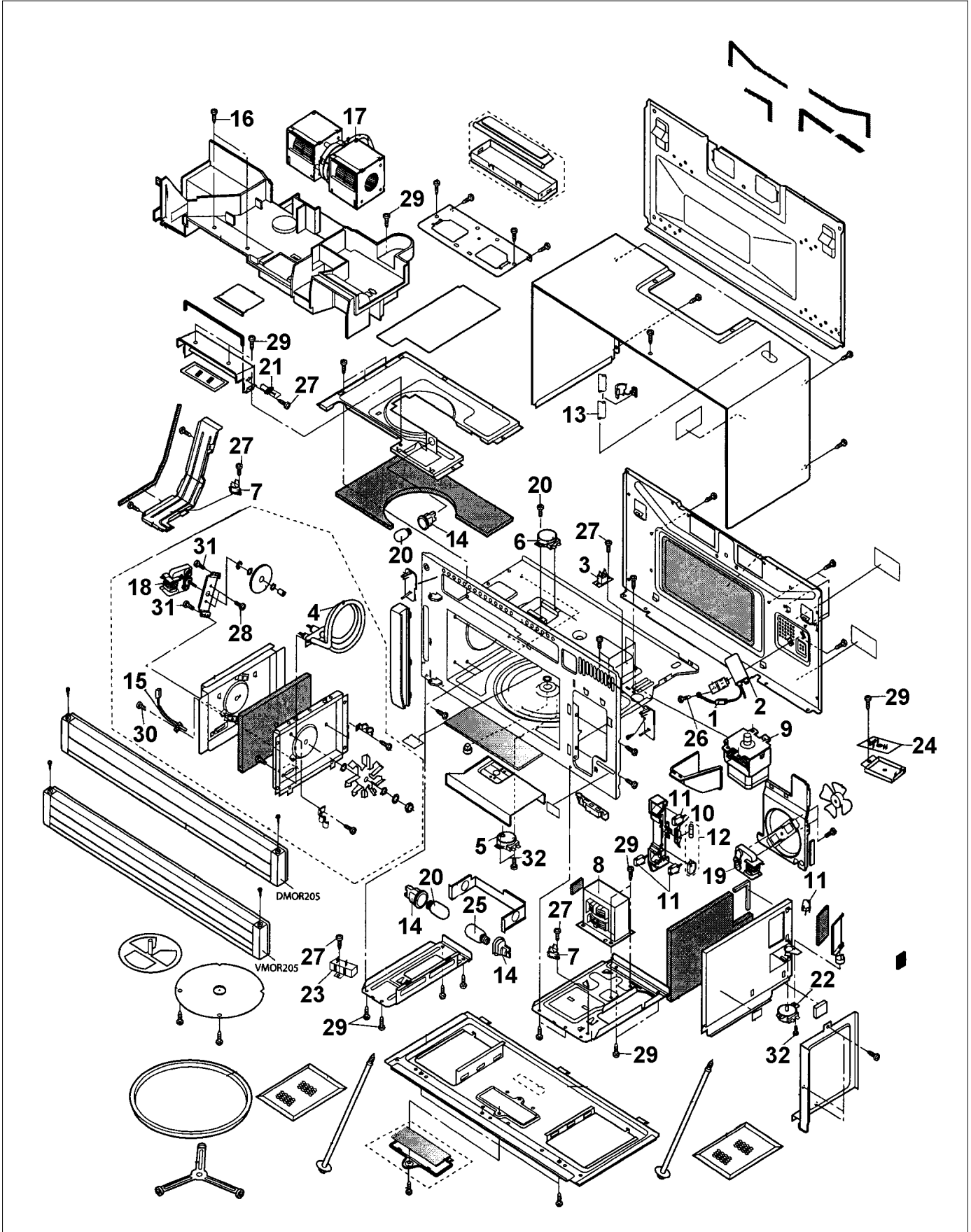




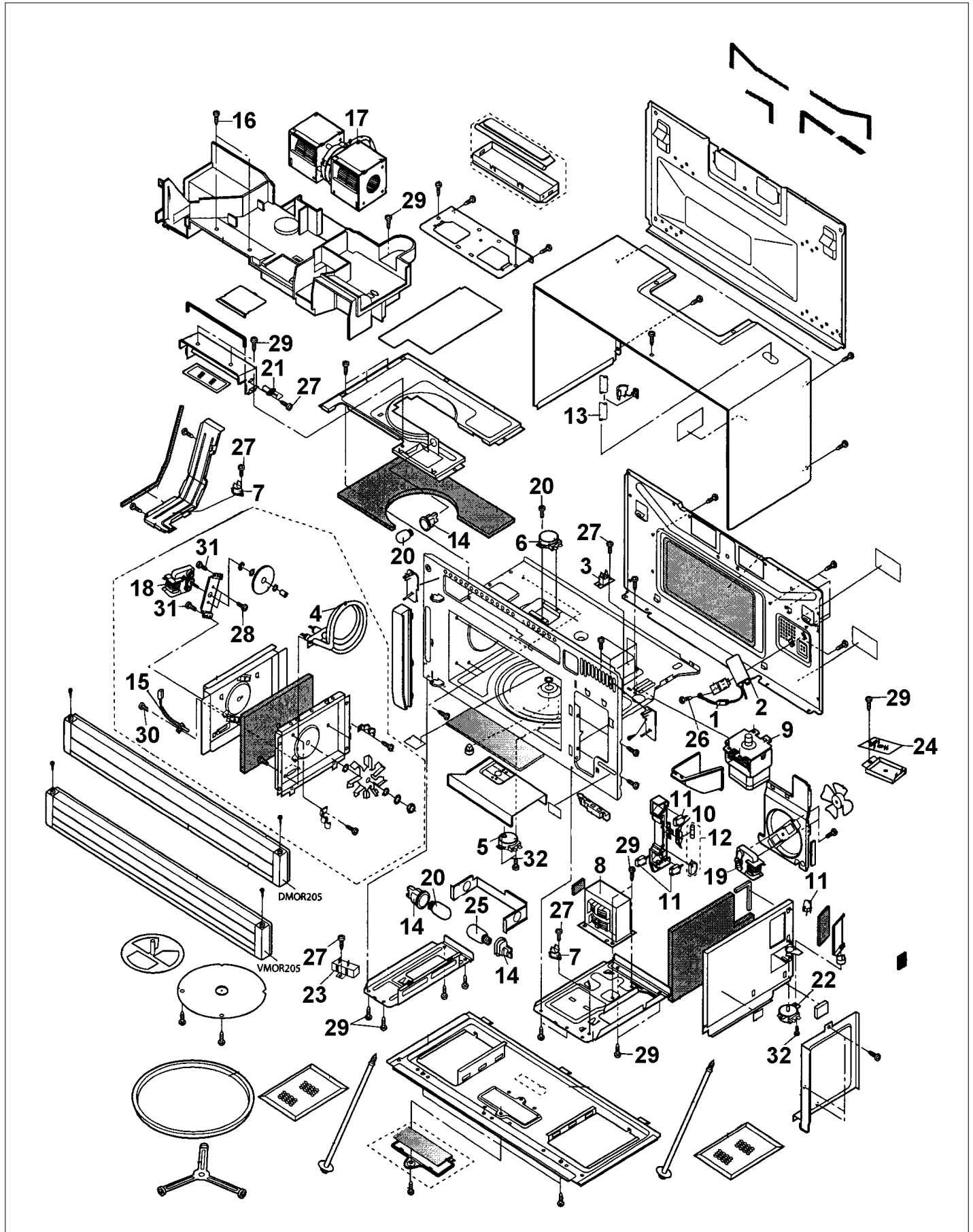


Item	Part No.	Name	Qty	Uom	NOTES
1	PM110090	Door Panel Assembly	1	EA	
2	PM110091	Door Frame (VMOR205SS)	1	EA	
3	PM110093	Choke Cover	1	EA	
4	PM120133	Latch Head (LSTPPB025MRF0)	1	EA	
5	PM120007	LATCH SPRING	1	EA	
6	PM120085	SCREW; 4MM X 8MM (XCTSD40P08000)	1	EA	NO LONGER AVAILABLE, Not available online / Call for pricing and availability
7	PM120033	SCREW ; CONTROL PANEL MTG.	1	EA	
8	PM120134	Door Cushion (PCUSUB073MRP0)	1	EA	
9	PM120116	Door Stopper (LSTPPB024MRF0)	1	EA	
NI	PE010020	LOGO - PROFESSIONAL - VRTR, *BK* ASSY	1	EA	

ELECTRIC PARTS



Item	Part No.	Name	Qty	Uom	NOTES
1	PM100066	High Voltage Rectifier Assembly	1	EA	
2	PM100044	H.V. CAPACITOR (INTERCHANGEABLE)	1	EA	
3	PM100016	OVEN TEMP FUSE	1	EA	
4	PM100068	CONVECTION HEARTER	1	EA	
5	PM100069	TURNTABLE MOTOR	1	EA	
6	022386-000	STIRRER MOTOR	1	EA	
7	PM100071	THERMAL CUTOOUT N.O. 60o C	1	EA	
8	049248-000	HV TRANSFORMER REPLACEMENT KIT	1	EA	
9	PM100073	Magnetron	1	EA	
10	PM100074	Fuse Holder	1	EA	
11	PM100019	INTERLOCK SWITCH	1	EA	
12	PM100075	Monitor and Scondary Interlock Switch	1	EA	
13	PM100076	Power Supply Cord	1	EA	
14	063234-000	HOOD LAMP SOCKET	1	EA	
15	PM100077	THERMISTOR	1	EA	
16	PM120076	SCREW; 4MM X 10MM	1	EA	NO LONGER AVAILABLE
17	PM100078	Hood Fan Motor	1	EA	
18	PM100079	CONVECTION MOTOR	1	EA	
19	PM100080	Fan Motor	1	EA	
20	PM100081	Hood / Oven Lamp	1	EA	
21	PM100082	AH Sensor	1	EA	
22	022389-000	DAMPER MOTOR	1	EA	
23	PM100084	Noise Resistor	1	EA	
24	PM100085	NOISE FILTER	1	EA	
25	PM100086	Hood Lamp	1	EA	
26	PM120141	Screw, 4mm X 8mm	1	EA	NO LONGER AVAILABLE, Not available online / Call for pricing and availability
27	PM120143	Screw, 3mm X 8mm	1	EA	NO LONGER AVAILABLE, Not available online / Call for pricing and availability

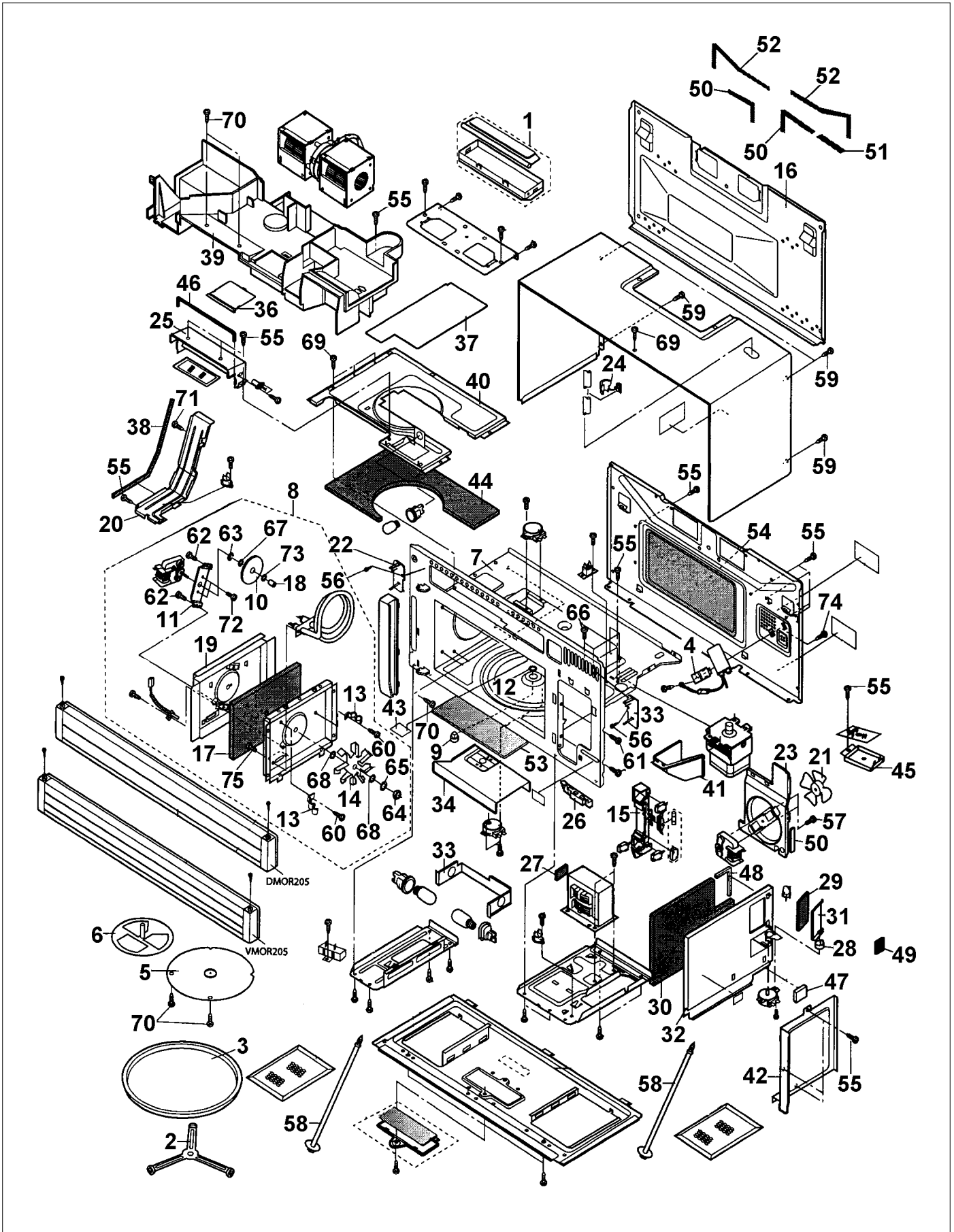




Item	Part No.	Name	Qty	Uom	NOTES
28	PM120144	Screw, 3mm X 6mm	1	EA	NO LONGER AVAILABLE
29	PM120146	SCREW : 4MM X 12MM	1	EA	
30	PM120002	SPECIAL SCREW	1	EA	
31	PM120151	Screw, 4mm X 8mm	1	EA	NO LONGER AVAILABLE
32	PM120002	SPECIAL SCREW	1	EA	
33	PM100039	OVEN LAMP SOCKET	1	EA	



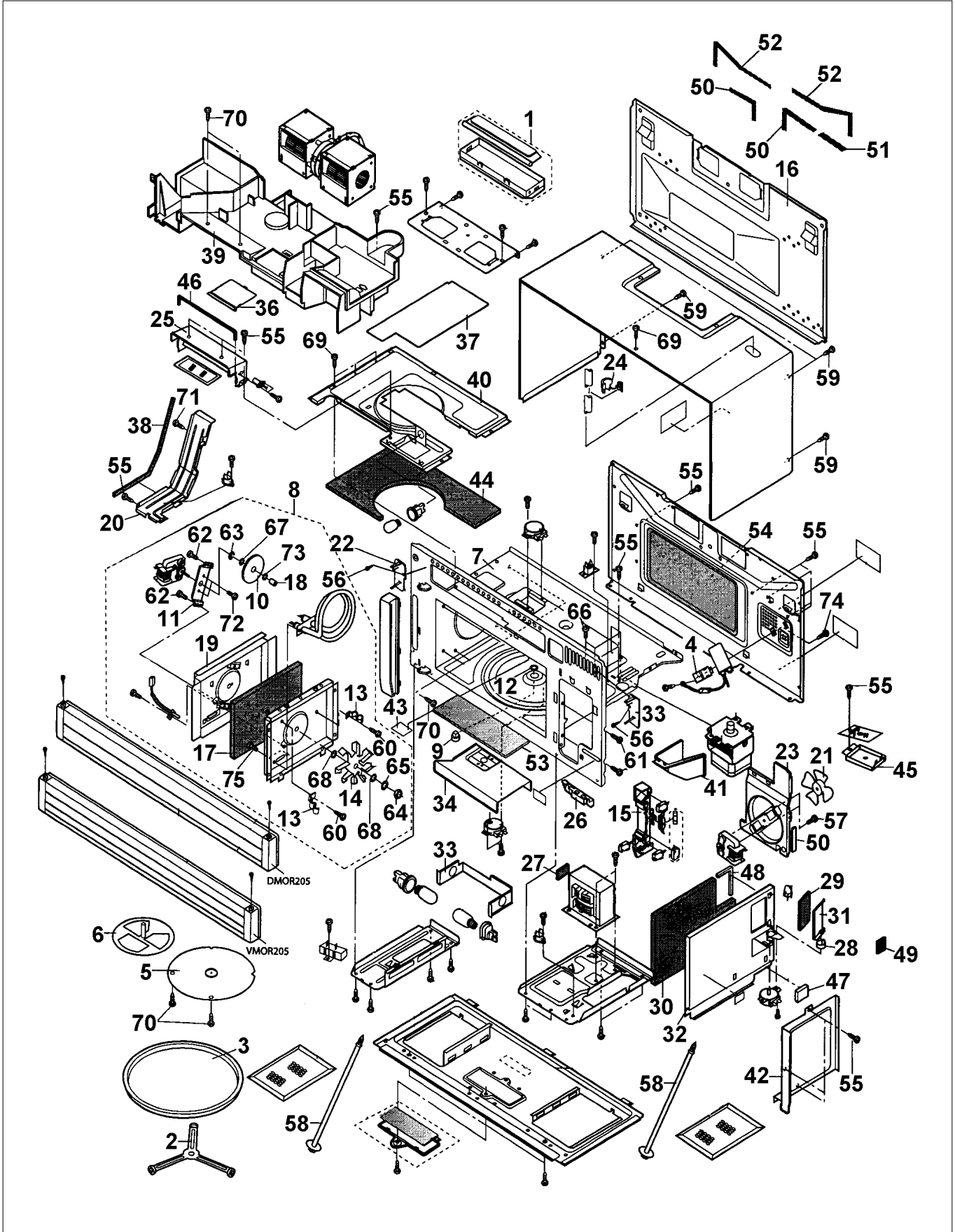
Item	Part No.	Name	Qty	Uom	NOTES
1	PM120106	Exhaust Damper Assembly (FFTA-B004MRK0)	1	EA	
2	PM110075	Turntable Support Assembly	1	EA	
3	PM110076	Turntable Tray	1	EA	
NI	042555-000	METAL TRAY GASKET	1	EA	
4	PM100090	Capacitor Holder	1	EA	
5	PM110077	Stirrer Cover Assembly	1	EA	
6	PM110078	Stirrer Fan Assembly	1	EA	
7	NOT REPLACEABLE	OVEN CAVITY	1	EA	
8	PM100091	Convection Heater Unit	1	EA	
9	PM100092	COUPLING	1	EA	
10	PM100093	CONVECTION MOTOR FAN	1	EA	
11	PM100094	CONVECTION MOTOR ANGLE	1	EA	NO LONGER AVAILABLE, Not available online / Call for pricing and availability
12	PM100095	Turntable Motor Packing	1	EA	Not available online / Call for pricing and availability
13	PM100055	HEATER ELEMENT HOLDER	1	EA	NO LONGER AVAILABLE, Not available online / Call for pricing and availability
14	PM100096	Convection Fan	1	EA	
15	057735-000	LATCH HOOK	1	EA	
16	PM110079	Unit Mounting Plate	1	EA	
17	PM110080	Heat Protector - Left	1	EA	NO LONGER AVAILABLE, Not available online / Call for pricing and availability
18	PM110081	COLLER	1	EA	
19	PM110082	Heater Cover - Left	1	EA	
20	PM120108	Hood Intake Duct - Left (PDUC-B083MRP0)	1	EA	NO LONGER AVAILABLE, Not available online / Call for pricing and availability
21	PM110083	Fan Blade	1	EA	
22	PM110084	End Cap Holder - Left	1	EA	





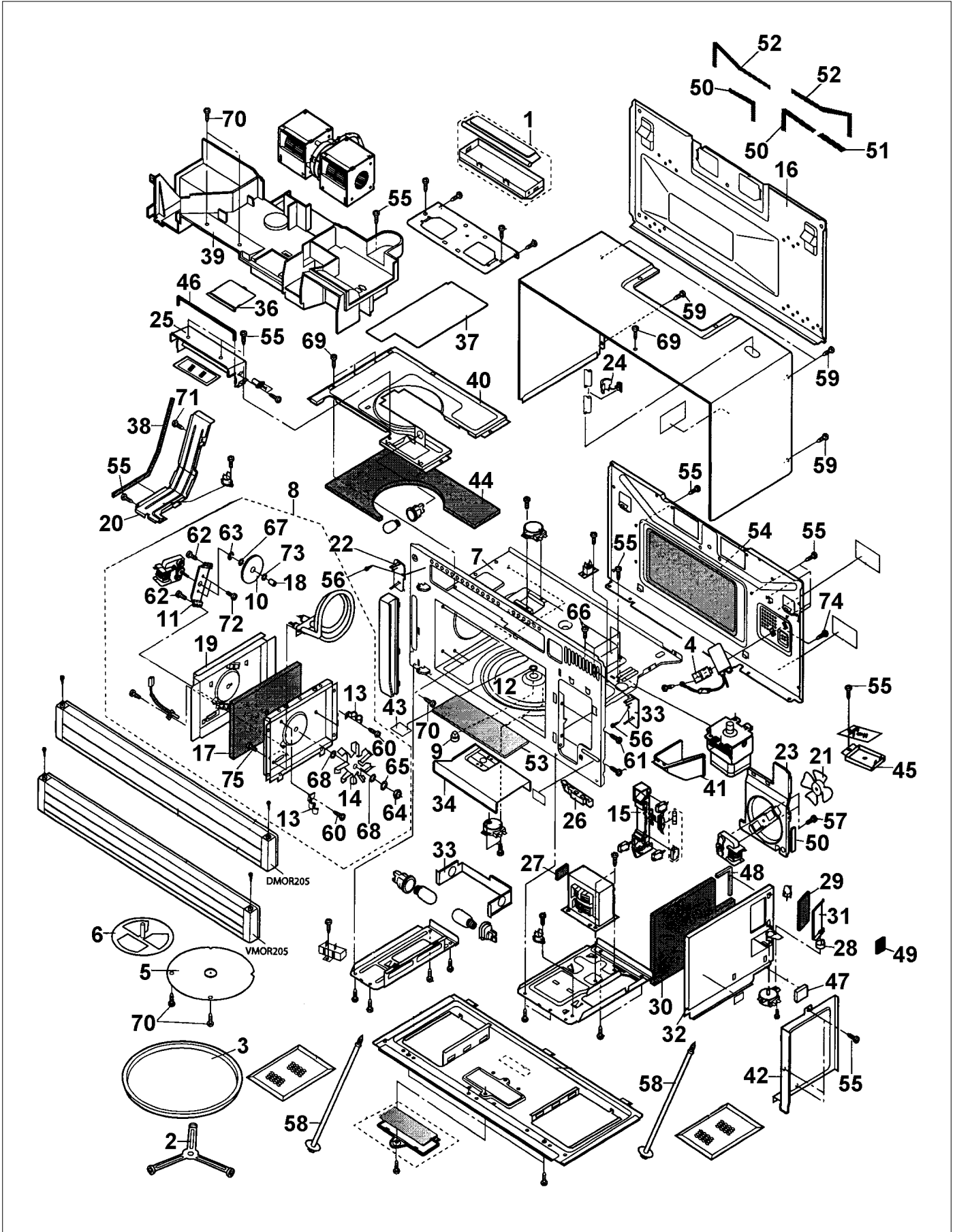
Item	Part No.	Name	Qty	Uom	NOTES
23	PM120109	FAN DUCT (FDUC-B065MRK0)	1	EA	
24	PM100097	CORD BUSHING	1	EA	
25	PM120110	Exhaust Duct (FDUC-B049MRK0)	1	EA	NO LONGER AVAILABLE, Not available online / Call for pricing and availability
26	PM120006	SWITCH LEVER	1	EA	
27	PM120111	Cushion (PCUSGB030MRP0)	1	EA	
28	PM120112	Damper Cam (MCAMPB001MRF0)	1	EA	
29	PM120113	Damper Cushion (PCUSUB032MRP0)	1	EA	NO LONGER AVAILABLE
30	PM120114	HEAT PROTECTOR - RIGHT (PFPF-B001MRE0)	1	EA	NO LONGER AVAILABLE, Not available online / Call for pricing and availability
31	PM120115	DAMPER PLATE (PFTA-B003MRP0)	1	EA	NO LONGER AVAILABLE
32	PM110085	Thermal Cover - Right	1	EA	NO LONGER AVAILABLE, Not available online / Call for pricing and availability
33	PM110086	End Cap Holder - Right	1	EA	
34	PM110087	Thermal Cover Bottom	1	EA	
35	PM120116	Door Stopper (LSTPPB024MRF0)	1	EA	
36	PM110088	OVEN LAMP COVER	1	EA	
37	PM120117	Heat Protect Top Sheet (PCOVPB050MRP0)	1	EA	NO LONGER AVAILABLE, Not available online / Call for pricing and availability
38	PM120118	Cushion (PCUSGB027MRP0)	1	EA	
39	PM120119	Hood Exhaust Duct (PDUC-B056MRF0A)	1	EA	NO LONGER AVAILABLE, Not available online / Call for pricing and availability
NI	005478-000	OTR HEAT DEFLECTOR (PREF-B005MRT0B)	1	EA	

OVEN PARTS (CONT)

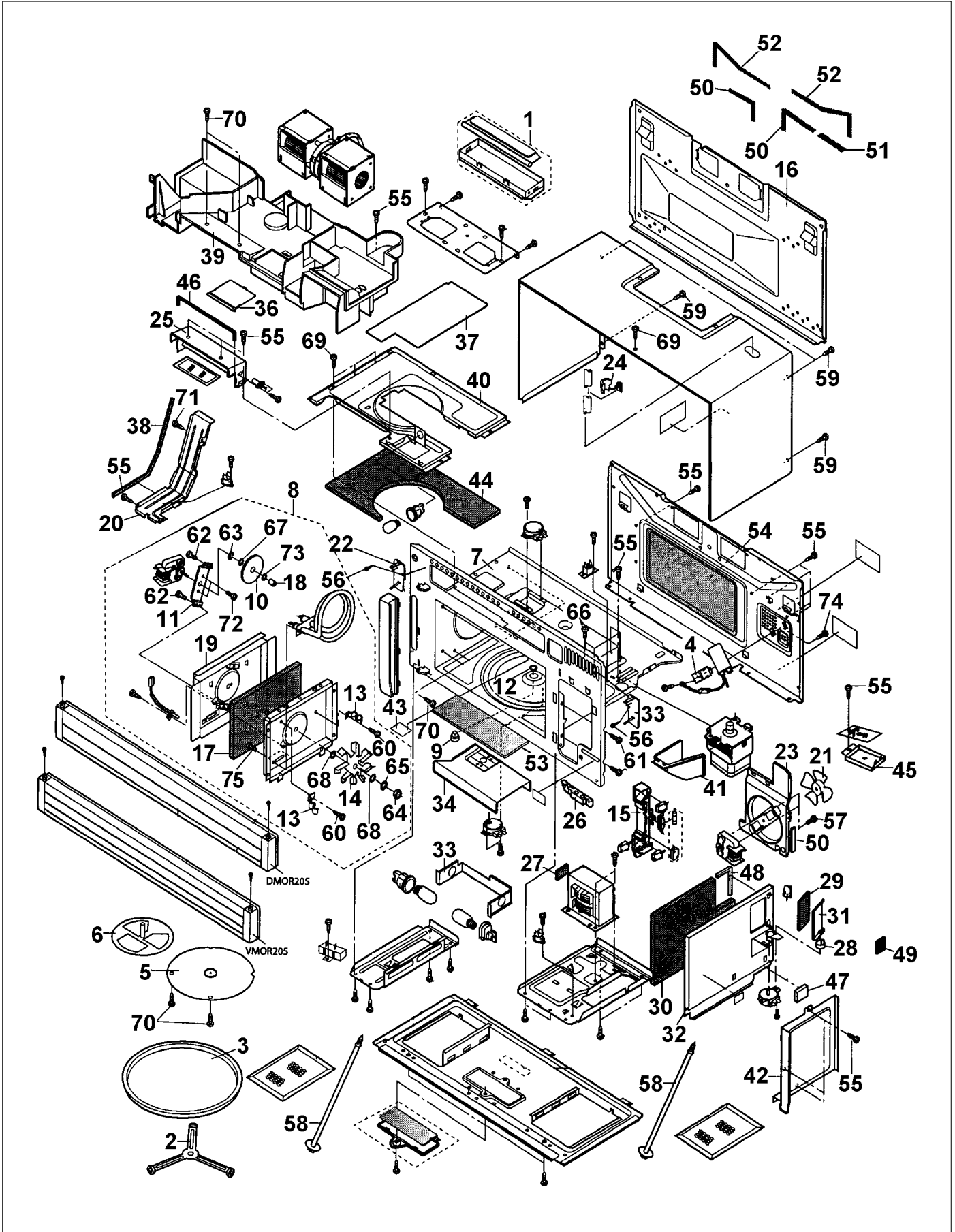




Item	Part No.	Name	Qty	Uom	NOTES
40	PM120120	Top Duct (PDUC-B057MRP0)	1	EA	NO LONGER AVAILABLE
41	PM120121	Magnetron Duct (PDUC-B058MRF0)	1	EA	NO LONGER AVAILABLE
42	PM120122	Hood Intake Duct - Right (PDUC-B060MRP0)	1	EA	
43	PM110089	Oven Light Screen	1	EA	
44	PM120123	Heat Protect Top (PFPF-B003MREO)	1	EA	
45	PM110016	ANGLE	1	EA	NO LONGER AVAILABLE
46	PM120124	Exhaust Cushion (PCUSUB019MRP0)	1	EA	
47	PM120125	Cushion (PCUSUB020MRP0)	1	EA	
48	PM120126	Cushion (PCUSUB024MRP0)	1	EA	NO LONGER AVAILABLE, Not available online / Call for pricing and availability
49	PM120127	Cushion (PCUSUB033MRP0)	1	EA	
50	PM120128	Cushion (PCUSUB035MRP0)	1	EA	NO LONGER AVAILABLE
51	PM120129	Cushion (PCUSUB047MRP0)	1	EA	NO LONGER AVAILABLE
52	PM120130	Cushion (PCUSUB046MRP0)	1	EA	NO LONGER AVAILABLE
53	PM120131	Heat Protect - Bottom (PFPF-B005MREO)	1	EA	
54	PM120132	Heat Protect - Rear (PFPF-B004MREO)	1	EA	NO LONGER AVAILABLE, Not available online / Call for pricing and availability
55	PM120146	SCREW : 4MM X 12MM	1	EA	
56	PM120147	SCREW (LX-CZB020MRE0)	1	EA	
57	PM120148	SCREW : 3MM X 14MM	1	EA	NO LONGER AVAILABLE, Not available online / Call for pricing and availability
58	PM120149	Unit Mounting Screw	1	EA	
59	PM120004	SPECIAL SCREW	1	EA	



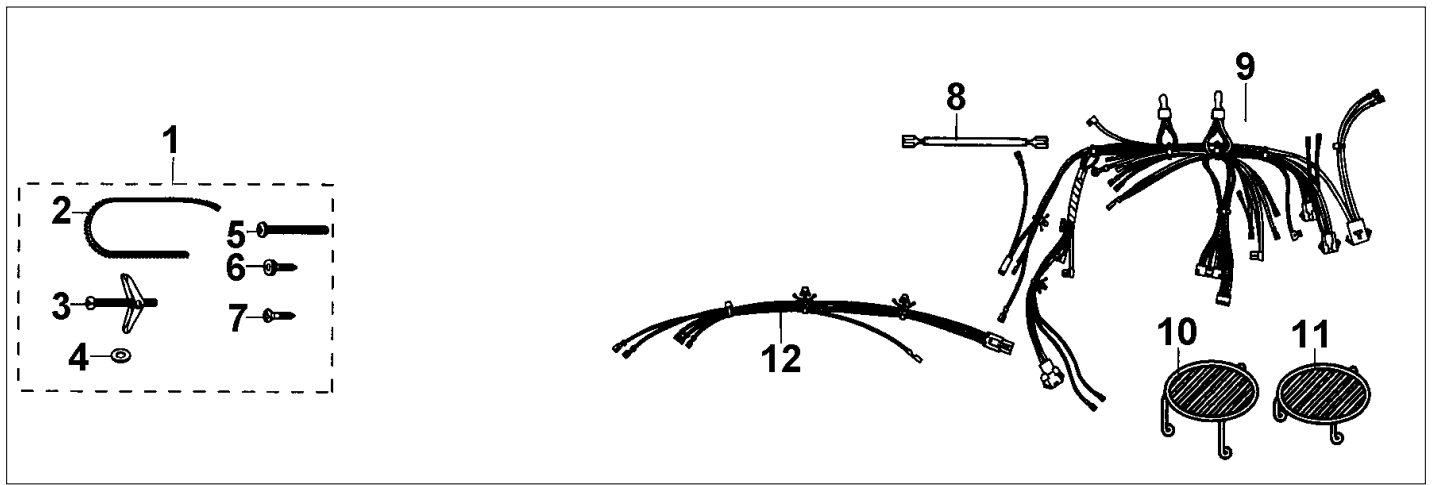
Item	Part No.	Name	Qty	Uom	NOTES
60	PM120150	Screw, 3mm X 6mm	1	EA	NO LONGER AVAILABLE, Not available online / Call for pricing and availability
61	PM120003	SCREW	1	EA	NO LONGER AVAILABLE
62	PM120151	Screw, 4mm X 8mm	1	EA	NO LONGER AVAILABLE
63	PM120152	E-Ring	1	EA	NO LONGER AVAILABLE, Not available online / Call for pricing and availability
64	PM120154	Nut, 4mm X 3.2mm	1	EA	NO LONGER AVAILABLE
65	PM120155	Spring Washer	1	EA	NO LONGER AVAILABLE, Not available online / Call for pricing and availability
66	PM120002	SPECIAL SCREW	1	EA	
67	PM120156	Washer, 5mm X 2mm	1	EA	NO LONGER AVAILABLE, Not available online / Call for pricing and availability
68	PM120157	Washer, 4mm X 0.8mm	1	EA	NO LONGER AVAILABLE, Not available online / Call for pricing and availability
69	PM120159	SCREW	1	EA	
70	PM120076	SCREW; 4MM X 10MM	1	EA	NO LONGER AVAILABLE
71	PM120077	SCREW; 4MM X 8MM (XCTWW40P08000)	1	EA	NO LONGER AVAILABLE, Not available online / Call for pricing and availability
72	PM120144	Screw, 3mm X 6mm	1	EA	NO LONGER AVAILABLE
73	PM120158	Washer, 5mm X 0.8mm	1	EA	NO LONGER AVAILABLE, Not available online / Call for pricing and availability





Item	Part No.	Name	Qty	Uom	NOTES
74	PM120141	Screw, 4mm X 8mm	1	EA	NO LONGER AVAILABLE, Not available online / Call for pricing and availability
75	PM120145	Screw, 4mm X 6mm	1	EA	NO LONGER AVAILABLE, Not available online / Call for pricing and availability

WIRING AND MISC





Item	Part No.	Name	Qty	Uom	NOTES
1	PM120135	Installation Material Assembly (CFZK-B131MRK0)	1	EA	
2	PM120136	GROMMET (LBSHC0040MRE0)	1	EA	
3	PM120137	Toggle Screw (LX-BZ0195WRE0)	1	EA	NO LONGER AVAILABLE
4	PM120138	Washer (XWHS750-16300)	1	EA	NO LONGER AVAILABLE
5	PM120139	SCREW : 4MM X 8MM	1	EA	
6	PM120037	CABINET SCREW XOTSE40P12000	1	EA	
7	PM120140	Screw, 5mm X 35mm	1	EA	NO LONGER AVAILABLE
8	PM100098	High Voltage Wire - A	1	EA	NO LONGER AVAILABLE, Not available online / Call for pricing and availability
9	PM100099	Main Harness - A	1	EA	
10	PM110094	High Rack	1	EA	
11	PM110095	Low Rack	1	EA	
12	PM100100	Main Harness - C	1	EA	NO LONGER AVAILABLE
NI	PM110096	Charcoal Filter	1	EA	



Appendix A:Pages Index

CABINET PARTS ..... 1  
CONTROL PANEL PARTS ..... 2  
DOOR PARTS ..... 3  
ELECTRIC PARTS ..... 4  
OVEN PARTS ..... 5  
OVEN PARTS (CONT) ..... 6  
WIRING AND MISC ..... 7



Appendix B:Parts Index

005478-000	5	PM100097	5
022386-000	4	PM100098	7
022389-000	4	PM100099	7
022399-000	1	PM100100	7
042555-000	5	PM110016	6
049248-000	4	PM110064	1
057735-000	5	PM110065	1
063234-000	4	PM110067	1
PE010020	3	PM110068	1
PM100016	4	PM110070	1
PM100019	4	PM110071	1
PM100039	4	PM110072	1
PM100044	4	PM110074	1
PM100055	5	PM110075	5
PM100066	4	PM110076	5
PM100068	4	PM110077	5
PM100069	4	PM110078	5
PM100071	4	PM110079	5
PM100073	4	PM110080	5
PM100074	4	PM110081	5
PM100075	4	PM110082	5
PM100076	4	PM110083	5
PM100077	4	PM110084	5
PM100078	4	PM110085	5
PM100079	4	PM110086	5
PM100080	4	PM110087	5
PM100081	4	PM110088	5
PM100082	4	PM110089	6
PM100084	4	PM110090	3
PM100085	4	PM110091	3
PM100086	4	PM110093	3
PM100087	2	PM110094	7
PM100088	2	PM110095	7
PM100090	5	PM110096	7
PM100091	5	PM120002	4, 4, 6
PM100092	5	PM120003	6
PM100093	5	PM120004	1, 6
PM100094	5	PM120006	5
PM100095	5	PM120007	3
PM100096	5	PM120033	1, 3
		PM120037	7



PM120044	2	PM120141	1, 4, 6
PM120076	4, 6	PM120142	1
PM120077	6	PM120143	4
PM120085	3	PM120144	4, 6
PM120102	1	PM120145	6
PM120103	2	PM120146	1, 2, 4, 6
PM120105	2	PM120147	6
PM120106	5	PM120148	6
PM120108	5	PM120149	6
PM120109	5	PM120150	6
PM120110	5	PM120151	4, 6
PM120111	5	PM120152	6
PM120112	5	PM120153	1
PM120113	5	PM120154	6
PM120114	5	PM120155	6
PM120115	5	PM120156	6
PM120116	3, 5	PM120157	6
PM120117	5	PM120158	6
PM120118	5	PM120159	1, 6
PM120119	5		
PM120120	6		
PM120121	6		
PM120122	6		
PM120123	6		
PM120124	6		
PM120125	6		
PM120126	6		
PM120127	6		
PM120128	6		
PM120129	6		
PM120130	6		
PM120131	6		
PM120132	6		
PM120133	3		
PM120134	3		
PM120135	7		
PM120136	7		
PM120137	7		
PM120138	7		
PM120139	7		
PM120140	7		