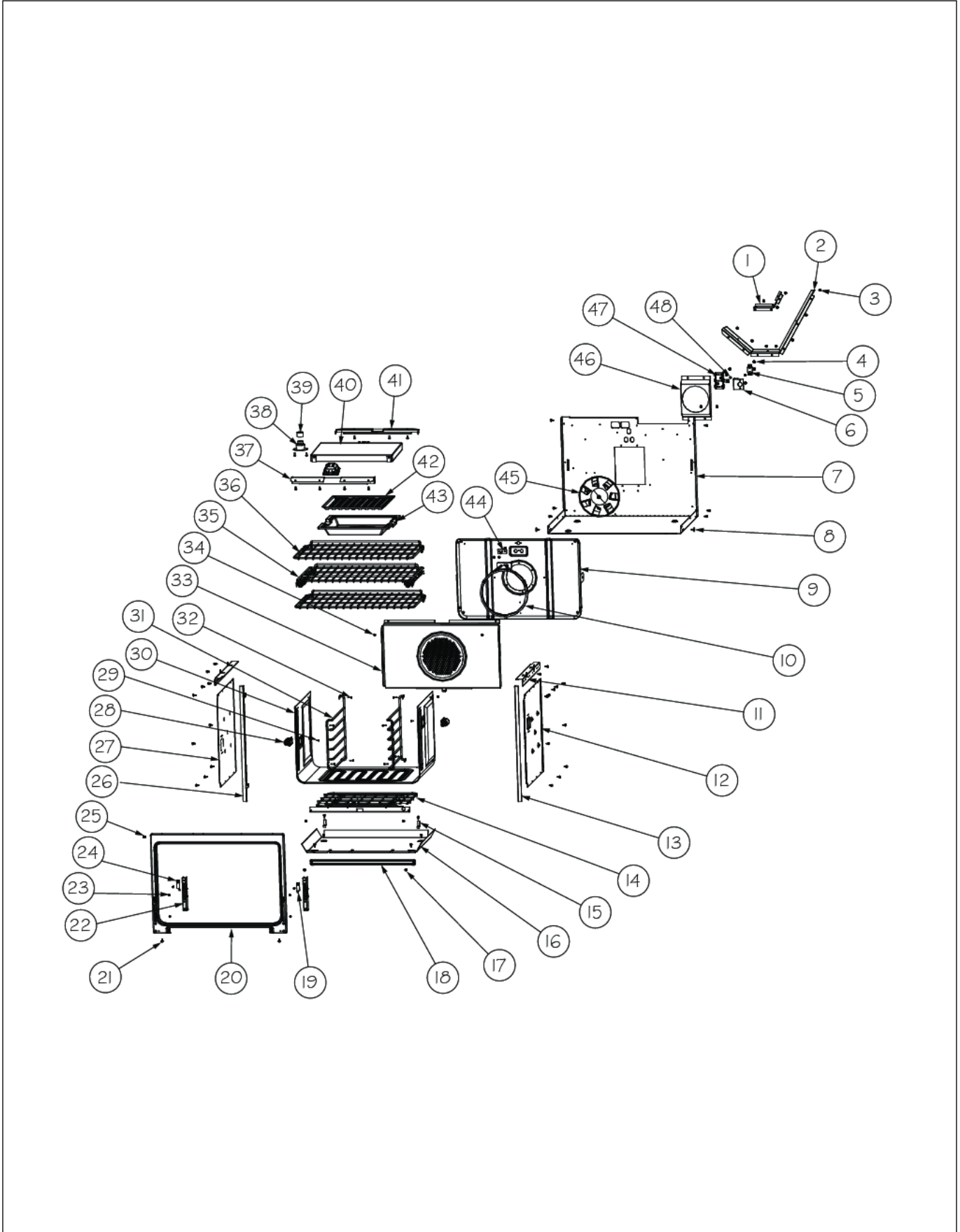


VISC5304

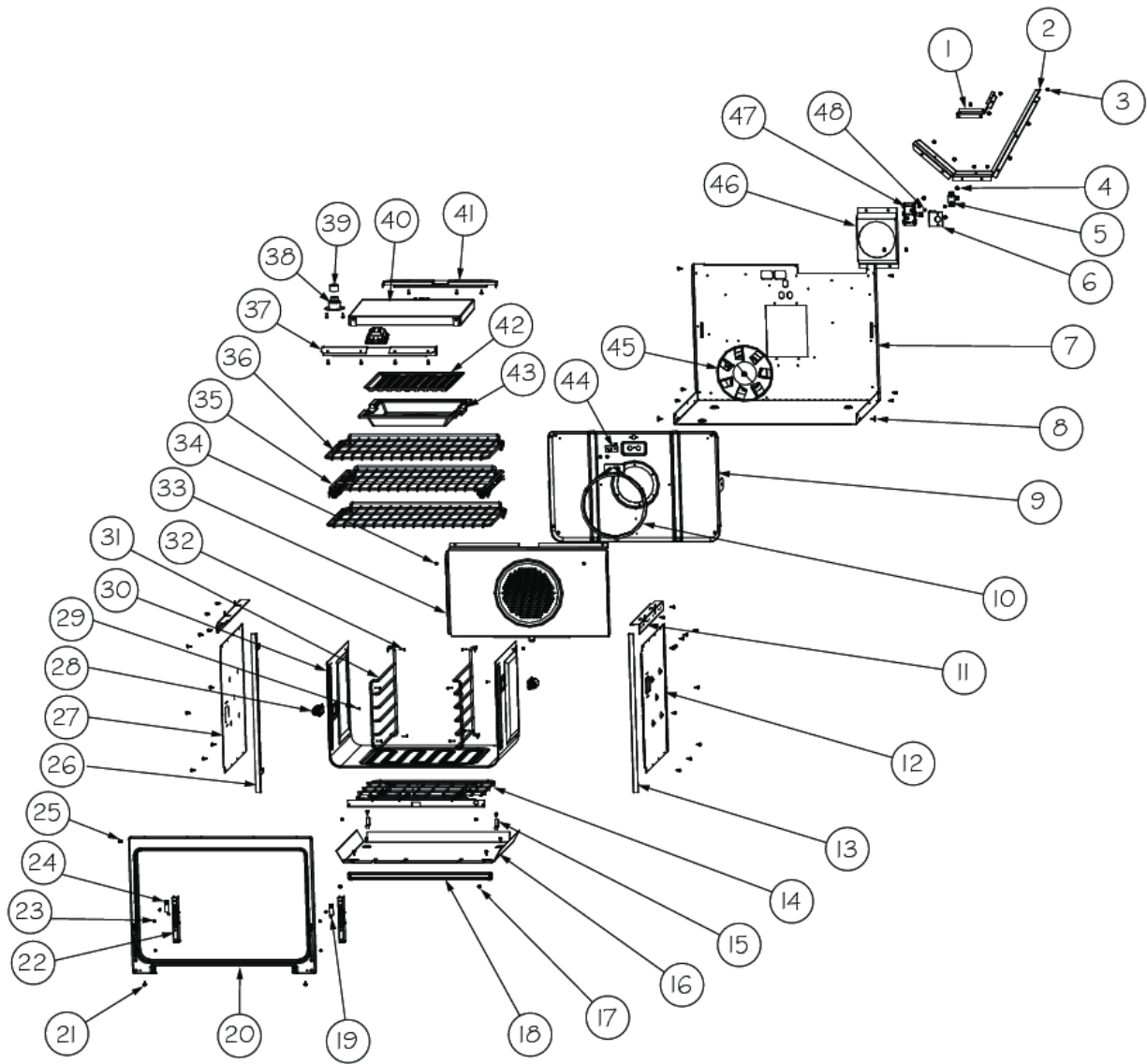
| | |
|----------------------------------|---|
| CAVITY INTERIOR | 1 |
| CONTROL AREA | 2 |
| DOOR ASSEMBLY | 3 |
| LOWER UNIT AND SIDE PANELS | 4 |
| OVEN ELECTRONICS | 5 |
| REAR SHEET METAL | 6 |
| SURFACE COOKING AREA | 7 |
| WIRING | 8 |
| Appendix A:Pages Index | A |
| Appendix B:Parts Index | B |

CAVITY INTERIOR





| Item | Part No. | Name | Qty | Uom | NOTES |
|------|------------|--|-----|-----|---|
| 1 | 003356-000 | DIVERTER, AIR | 1 | EA | |
| 2 | 002941-000 | BAFFLE, FAN, REAR | 1 | EA | |
| 3 | 003860-000 | 10-18 x .500 FASTNR,SCR,HXWH,STL,ZPLT | 52 | EA | |
| 4 | PD020014 | 10X3/4 PH TR HD SMS | 4 | EA | |
| 5 | A1002457 | POWER CORD MOUNTING STRAP (VDSC) | 1 | EA | |
| 6 | A2002195 | POWER CORD MOUNTING BRKT (VDSC) | 1 | EA | |
| 7 | 003244-000 | OVEN BOTTOM, BACK WRAP | 1 | EA | Not available online / Call for pricing and availability |
| 8 | 014143-000 | SCR 10-12 A SHLD TRP 1/2 S ZN BLUE | 2 | EA | |
| 9 | H30014982 | CAVITY BACK WELD ASSY 30" | 1 | EA | NO LONGER AVAILABLE, Not available online / Call for pricing and availability |
| 10 | PJ010047 | CONVECTION ELEMENT | 1 | EA | |
| 11 | A2009641 | BRKT, TOP WRAPPER | 2 | EA | |
| 12 | A2009622 | BRKT, TOP WRAPPER, RIGHT | 1 | EA | Not available online / Call for pricing and availability |
| 13 | 003644-000 | TRIM,FRONT,SIDE,STAINLESS | 1 | EA | |
| 14 | PJ010048 | BAKE ELEMENT | 1 | EA | |
| 15 | A2009696 | HOLDER, BAKE ELEMENT | 2 | EA | |
| 16 | A2009612 | ELEMENT, MTG TRAY | 1 | EA | |
| 17 | PD020063 | SCREW-#8(A) X 3/8"PH WFR HD/BK OXID | 2 | EA | |
| 18 | E9109655 | COVER, BAKE TRAY | 1 | EA | |
| 19 | B21010915 | HINGE CLIP - RH | 1 | EA | |
| 20 | H30014980 | Part not replaceable-welded | 1 | EA | NO LONGER AVAILABLE, Not available online / Call for pricing and availability |
| 21 | PD020062 | #8-32 X 3/8 PHMS TYPE 1 | 4 | EA | |
| 22 | 031679-000 | RECEPTACLE, HINGE | 2 | EA | |
| 23 | PD020061 | ' #8 X 3/4 FLAT HD TEK. *SS* | 2 | EA | |





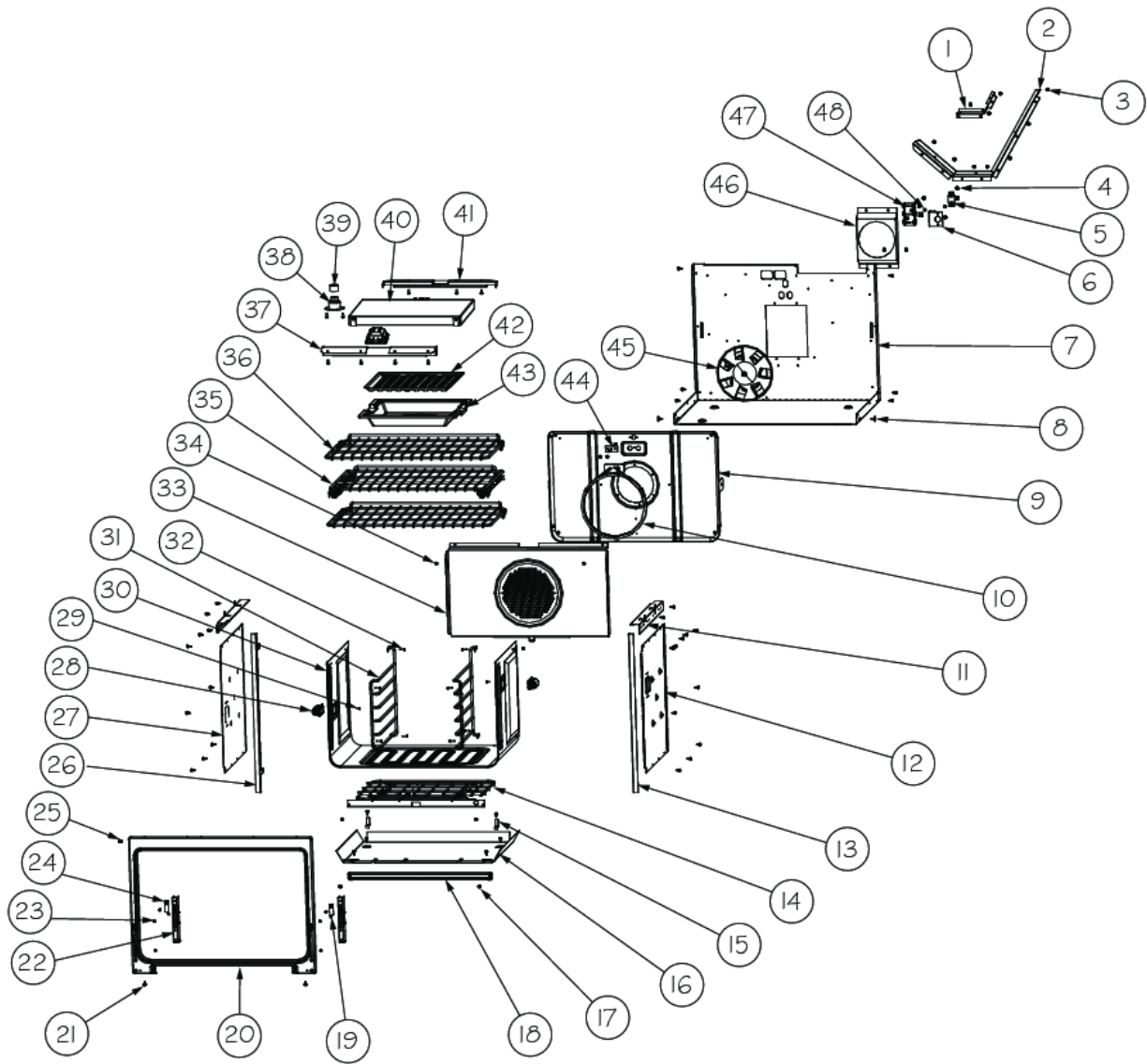
| Item | Part No. | Name | Qty | Uom | NOTES |
|------|------------|---|-----|-----|---|
| 24 | B21010916 | HINGE CLIP - LH | 1 | EA | |
| 25 | 003801-000 | SHOULDER SCREW, #10 | 1 | EA | |
| 26 | 005038-000 | TRIM,FR,SIDE,L | 1 | EA | |
| 27 | A20012650 | BRKT, TOP WRAPPER LEFT | 1 | EA | Not available online / Call for pricing and availability |
| 28 | 005311-000 | LAMP, OVEN, 120V/25W | 2 | EA | |
| 29 | PD020067 | ' #6 X 3/8" PAN PHIL. TEK *SS* | 2 | EA | |
| 30 | E21014038 | 30" PREMIERE CAVITY WRAPPER | 1 | EA | NO LONGER AVAILABLE, Not available online / Call for pricing and availability |
| 31 | PB060104 | RACK SUPPORT LH | 2 | EA | |
| 32 | PD020232 | #8 X 3/4" PH PAN HEAD TEK SCREW (BLACK OXIDE) | 8 | EA | |
| 33 | G91013598 | 30" BAFFLE ASSEMBLY | 1 | EA | |
| 34 | PD020048 | NO.10 X 1/2 TEK 410 SS SCREW | 14 | EA | |
| 35 | 024102-000 | PULLOUT RACK, 30" | 1 | EA | |
| 36 | PB060107 | 30" OVEN RACK | 2 | EA | |
| 37 | 024234-000 | BRACKET, BROILER, FRONT | 1 | EA | |
| 38 | PM010014 | SMOKE ELIMINATOR (VDSC) | 1 | EA | |
| 39 | PB020275 | VENT TUBE | 1 | EA | |
| 40 | 024040-000 | ELEMENT, RIBBON | 1 | EA | |

Comments for Part Num. 024040-000

jhobbs@kimballinc.com on Jan 4, 2019

Please Correct the part number on this (057872-000)

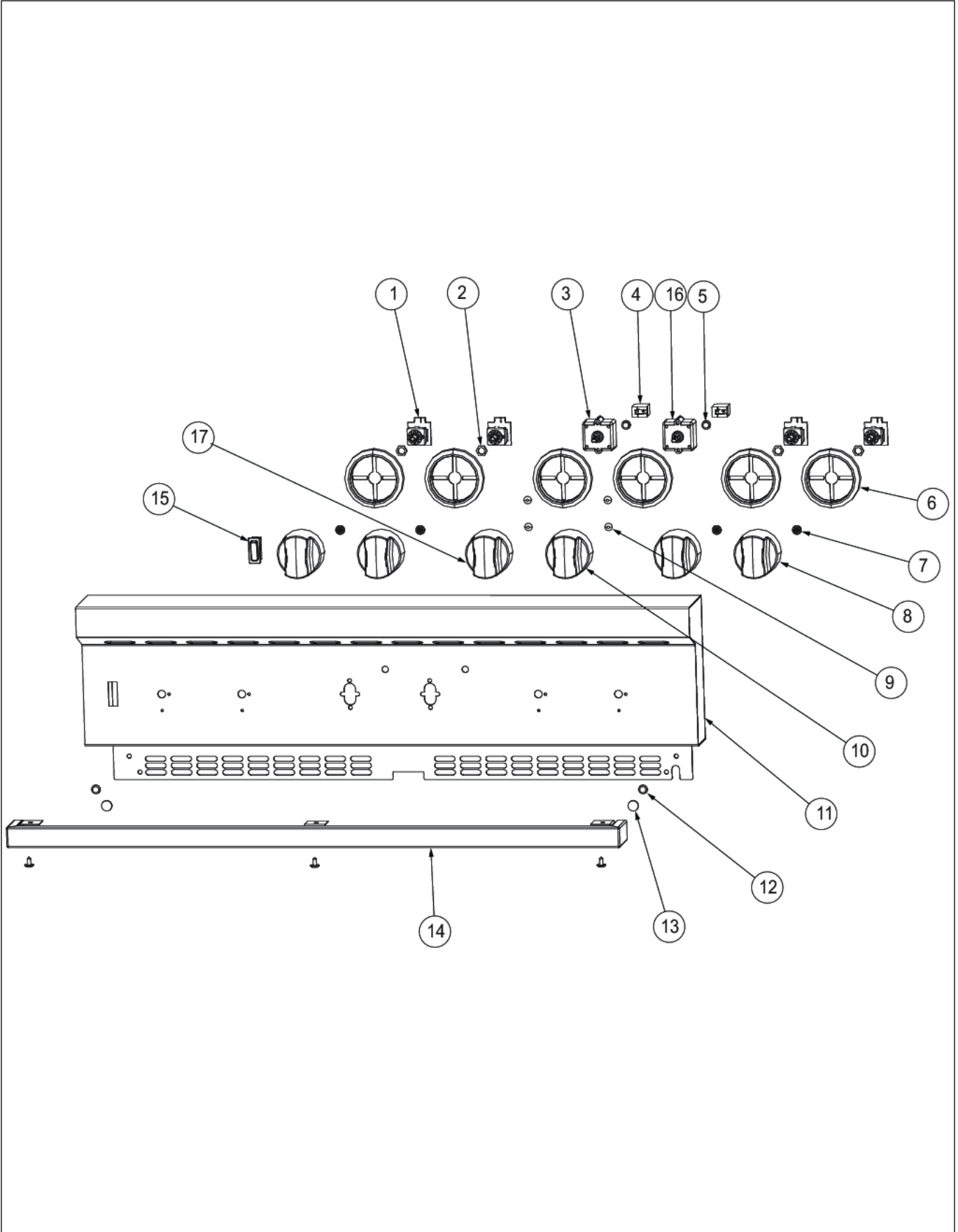
| | | | | | |
|----|------------|--------------------------------|---|----|--|
| 41 | 024221-000 | BRACKET, BROILER, REAR | 1 | EA | |
| 42 | E9107934 | BROILER PAN INSERT - NLA | 1 | EA | |
| 43 | E9107933 | BROILER PAN | 1 | EA | |
| 44 | PE050206 | RTD THERMOSTAT PROBE | 1 | EA | |
| 45 | A21014019 | CONVECTION FAN BLADE | 1 | EA | |
| NI | PE050203 | CONVECTION MOTOR | 1 | EA | |
| 46 | A2009697 | BRACKET, CONVECTION INSULATION | 1 | EA | |



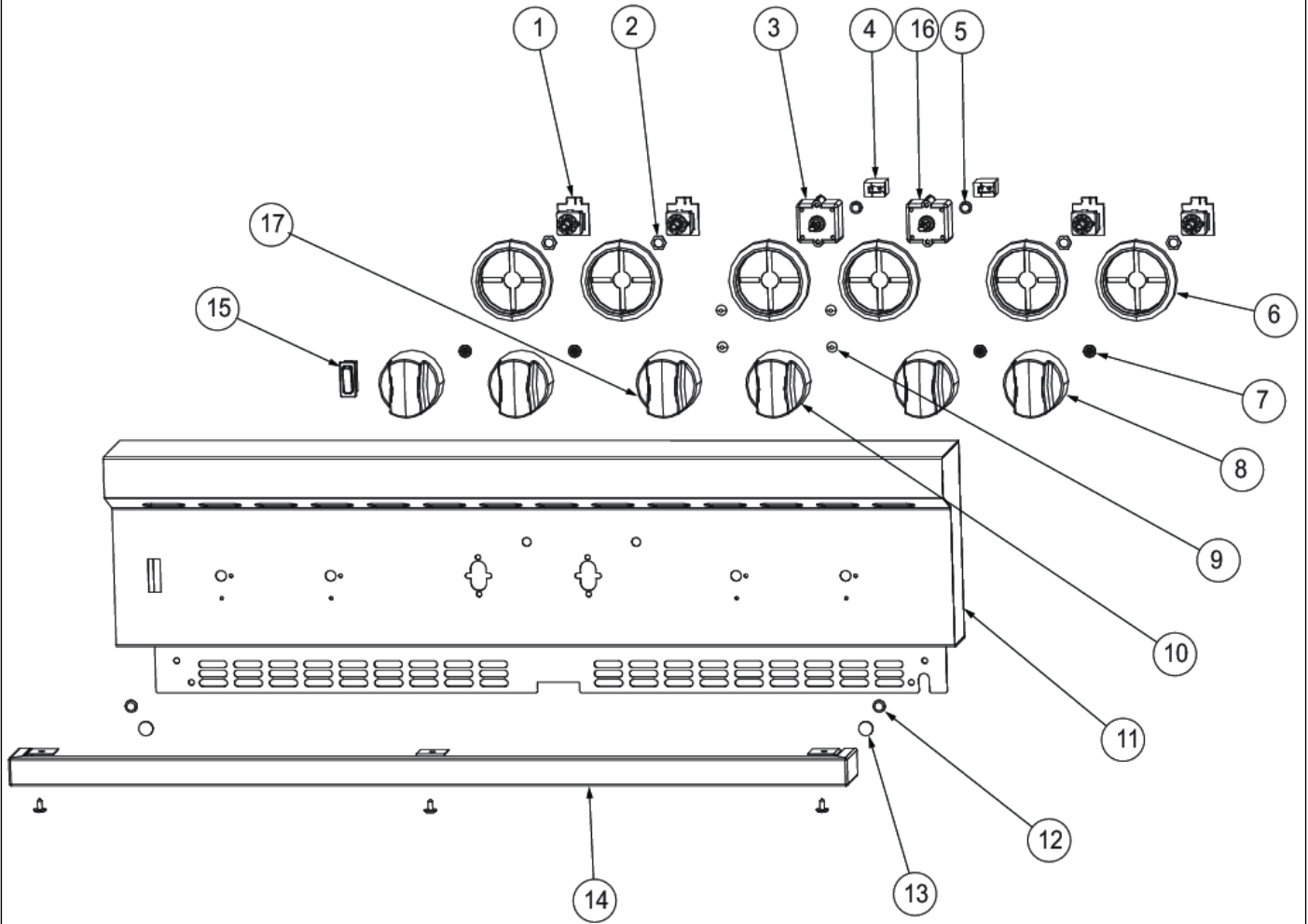


| Item | Part No. | Name | Qty | Uom | NOTES |
|------|----------|-----------------------------------|-----|-----|-------|
| 47 | PE070147 | TERMINAL BLOCK (VDSC) | 1 | EA | |
| 48 | PD020010 | 10 X 3/8 GREEN GROUNDING SCREW | 1 | EA | |

CONTROL AREA



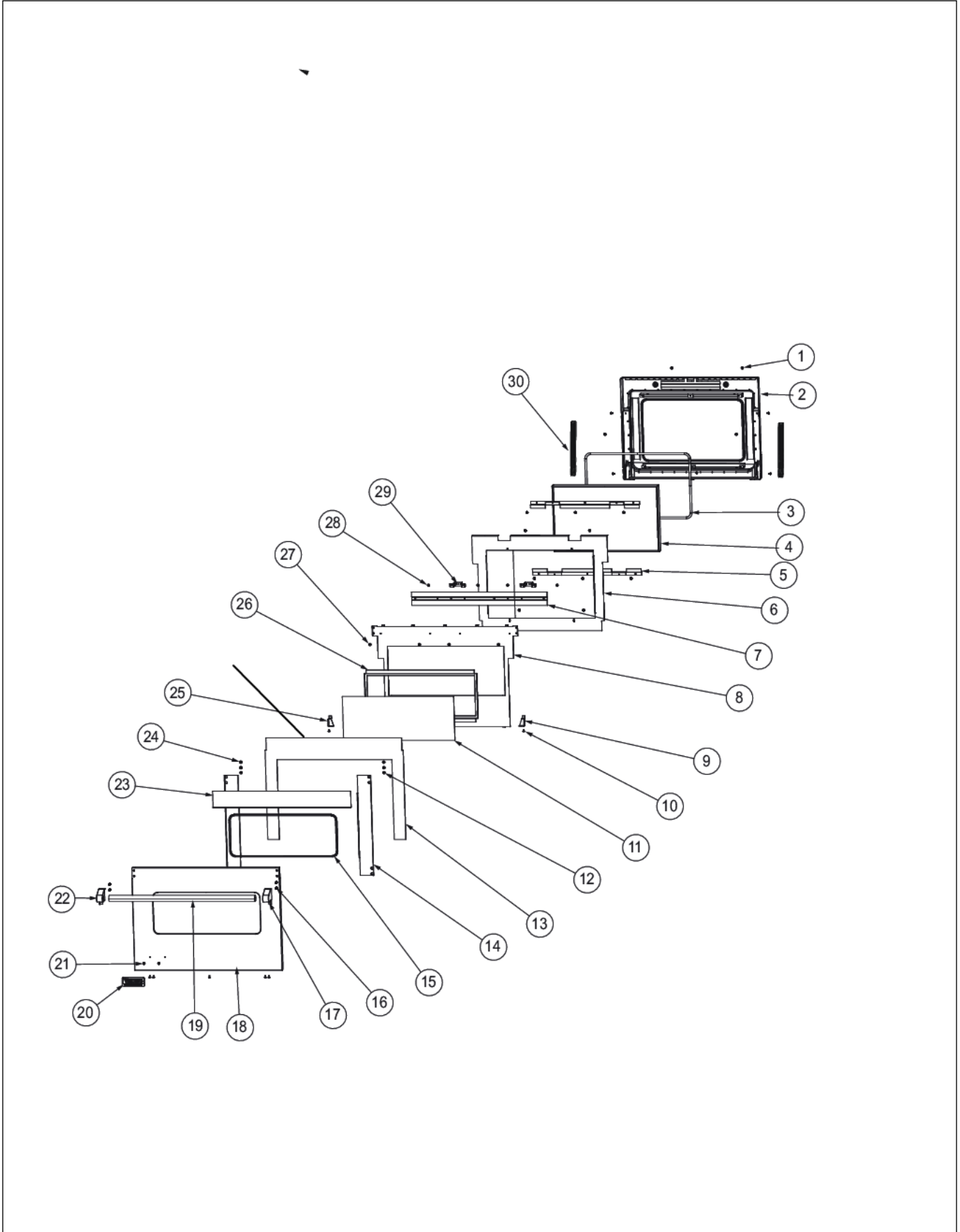
| Item | Part No. | Name | Qty | Uom | NOTES |
|-----------|-------------|---|-----|-----|-------|
| 1 | 003225-000 | ROTARY INDUCTION CONTROL | 4 | EA | |
| 2 | PD030114 | INDUCTION CONTROL NUT | 4 | EA | |
| 3 | PJ030033 | SELECTOR (10 POS) | 1 | EA | |
| 4 | PE050072 | LENS OPENING | 2 | EA | |
| Not Shown | NOTE | (BEFORE 7/20/10 - 072010C00007885) | | EA | |
| NI | 021336-000 | INDICATOR, LT, RED, CHROME BEZEL, LED | 2 | EA | |
| Not Shown | NOTE | (ON OR AFTER 7/20/10 - 072010C00007885) | | EA | |
| 5 | PE050023 | OVEN IND. LIGHT (LENS & BEZEL) | 2 | EA | |
| Not Shown | NOTE | (BEFORE 7/20/10 - 072010C00007885) | | EA | |
| NI | 021336-000 | INDICATOR, LT, RED, CHROME BEZEL, LED | 2 | EA | |
| Not Shown | NOTE | (ON OR AFTER 7/20/10 - 072010C00007885) TO 7/13/11) | | EA | |
| NI | 015043-000 | INDICATOR, LIGHT, BLUE LED | 2 | EA | |
| Not Shown | NOTE | (ON OR AFTER 7/14/11) | | EA | |
| 6 | 050172-000 | BEZEL, KNOB | 6 | EA | |
| 7 | PD020046 | ' #8 X 1/2 SCREWS | 4 | EA | |
| 8 | 007561-000 | INDUCTION KNOB - SS | 4 | EA | |
| 9 | PD020044 | #8-32 X 1/4" PH. TR. HD. M.S. | 4 | EA | |
| 10 | 005271-000 | RANGE SELECTOR KNOB-BRUSHED, SSS | 1 | EA | |
| 11 | 031401-2064 | CONTROL PANEL, VISC530 | 1 | EA | |
| 12 | PD020032 | SRW-8(A)X3/8"PH.WFR HD 7/16DIA*NICL | 5 | EA | |
| 13 | PD040004 | GROMMET BUMPER | 2 | EA | |
| 14 | 009331-000 | TRIM, ASM | 1 | EA | |
| 15 | 003719-000 | OVEN LIGHT SWITCH, BLACK | 1 | EA | |
| 16 | PJ030035 | THERMOSTAT | 1 | EA | |



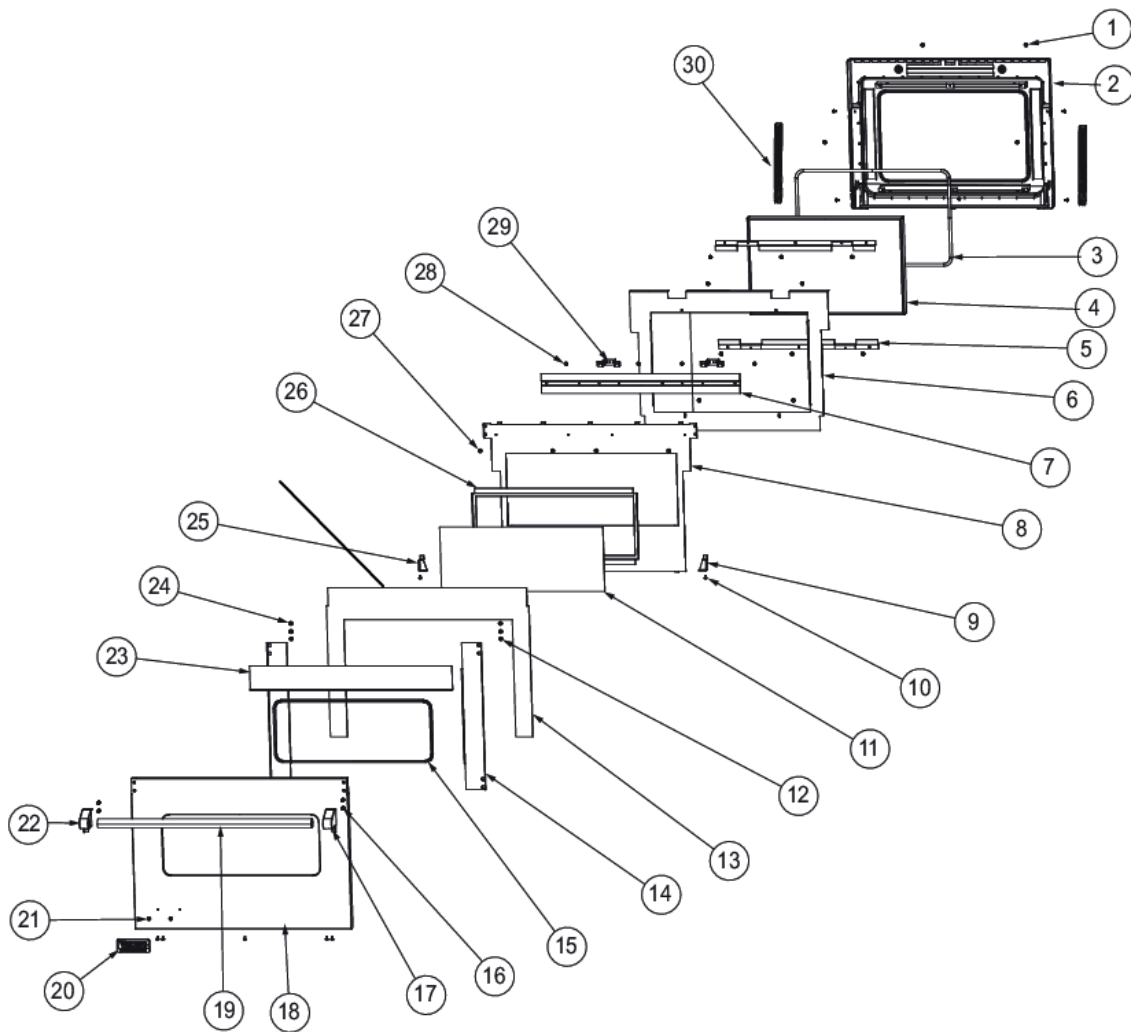


| Item | Part No. | Name | Qty | Uom | NOTES |
|--|------------|--|-----|-----|-------|
| <p>Comments for Part Num. PJ030035</p> <p>parts@lvdistributes.com on Feb 7, 2018 this is not the correct part for this range it should be a 003225-000 Reply by JREXEC02@AOL.COM on Feb 27, 2018 003225-000 is an Induction Control.</p> <p>PJ030035 is the red colored thermostat for the Gas Range *****</p> | | | | | |
| 17 | 005270-000 | RANGE THERMOSTAT KNOB- BRUSHED, SSS | 1 | EA | |

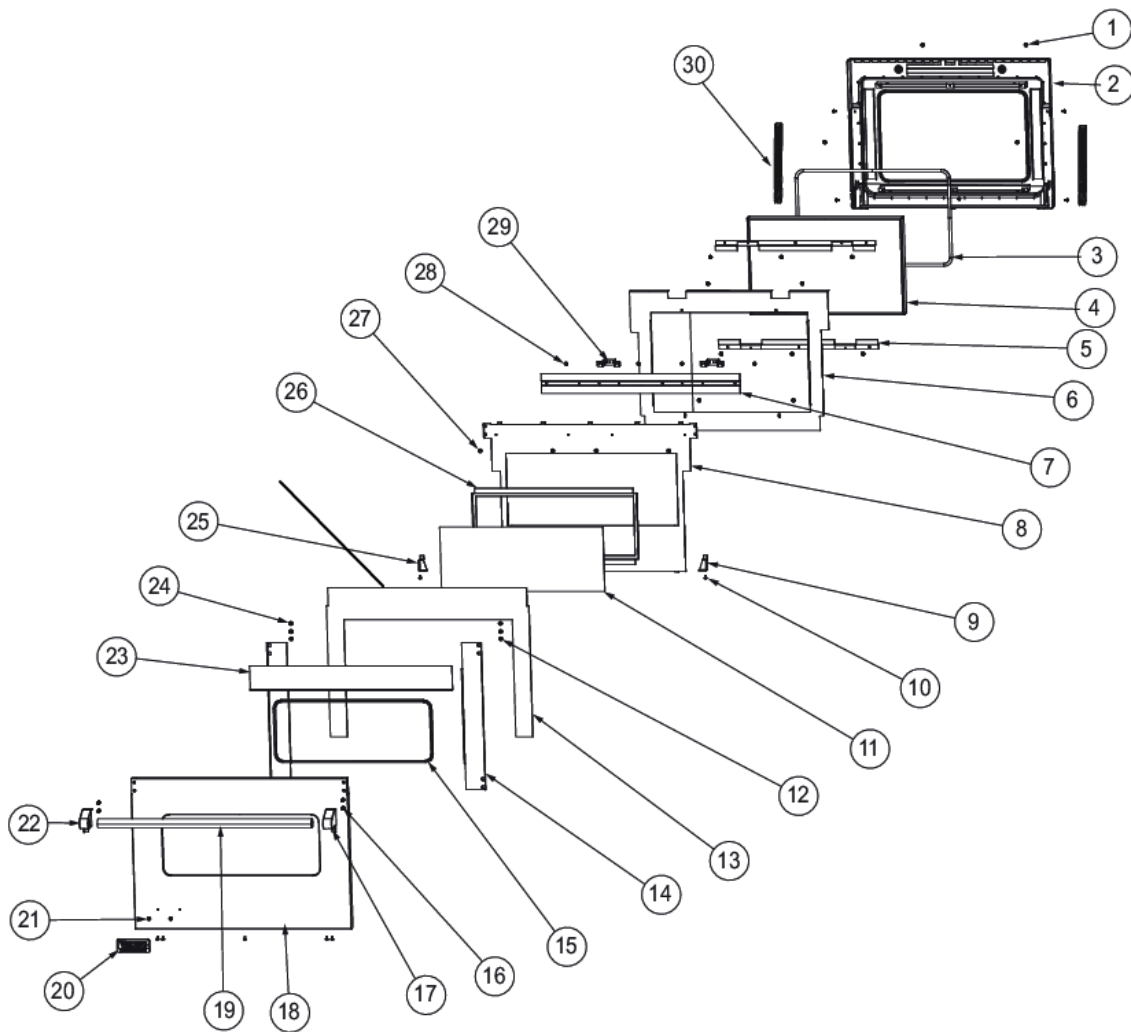
DOOR ASSEMBLY



| Item | Part No. | Name | Qty | Uom | NOTES |
|-----------|------------|--|-----|-----|-------|
| 1 | PD020063 | SCREW-#8(A) X 3/8"PH WFR HD/BK OXID | 18 | EA | |
| 2 | 015412-000 | DOOR LINER SPOTWELD ASM | 1 | EA | |
| 3 | 000594-000 | BLACK FIBERGLASS ROPE 3/8 | 1 | EA | |
| 4 | PE060094 | 30 WINDOW PACK | 1 | EA | |
| 5 | 004153-000 | DOOR GLASS HOLDER BRACKET | 2 | EA | |
| 6 | 004152-000 | DOOR LINER INSULATION RETAINER, 30 | 1 | EA | |
| 7 | 002732-000 | DOOR SKIN MOUNTING BRACKET ASSY | 1 | EA | |
| 8 | 002730-000 | DOOR SKIN INSULATION RETAINER, BLACK | 1 | EA | |
| 9 | A20012640 | HINGE SUPPORT RH | 1 | EA | |
| 10 | PD020032 | SRW-8(A)X3/8"PH.WFR HD 7/16DIA*NICL | 7 | EA | |
| 11 | PE060090 | 30" PROF. OUTER DOOR GLASS | 1 | EA | |
| Not Shown | NOTE | (NOT FIELD REPLACEABLE - MUST ORDER ITEM # 18) | | EA | |
| 12 | PD020073 | SRW #10 X 24 X 3/8 WAFER HD TYPE23 | 2 | EA | |
| 13 | 006787-000 | INSULATION,DOOR,SIDE,SUPE RWOOL,.25,VDSC530 | 2 | EA | |
| 14 | 002726-000 | DOOR SKIN SIDE BRACKET | 2 | EA | |
| 15 | PE060105 | 30" J-MOLD (CHROME) | 1 | EA | |
| Not Shown | NOTE | (NOT FIELD REPLACEABLE - MUST ORDER ITEM # 18) | | EA | |
| 16 | 030823-000 | #10-32 PAN HEAD PHILLIPS MACHINE SCREW | 4 | EA | |
| 17 | 003012-000 | DOOR HANDLE ENDCAP ASSY, RH (CHROME) | 1 | EA | |
| 18 | 023251-000 | SRV DOOR SKIN KIT, VDSC530, 530T, SS | 1 | EA | |
| 18 | 023252-002 | SRV DOOR SKIN KIT, VDSC530, 530T, BK | 1 | EA | |
| 18 | 023252-003 | SRV DOOR SKIN KIT, VDSC530, 530T, BT | 1 | EA | |
| 18 | 023252-004 | SRV DOOR SKIN KIT, VDSC530, 530T, SG | 1 | EA | |
| 18 | 023252-005 | SRV DOOR SKIN KIT, VDSC530, 530T, GG | 1 | EA | |



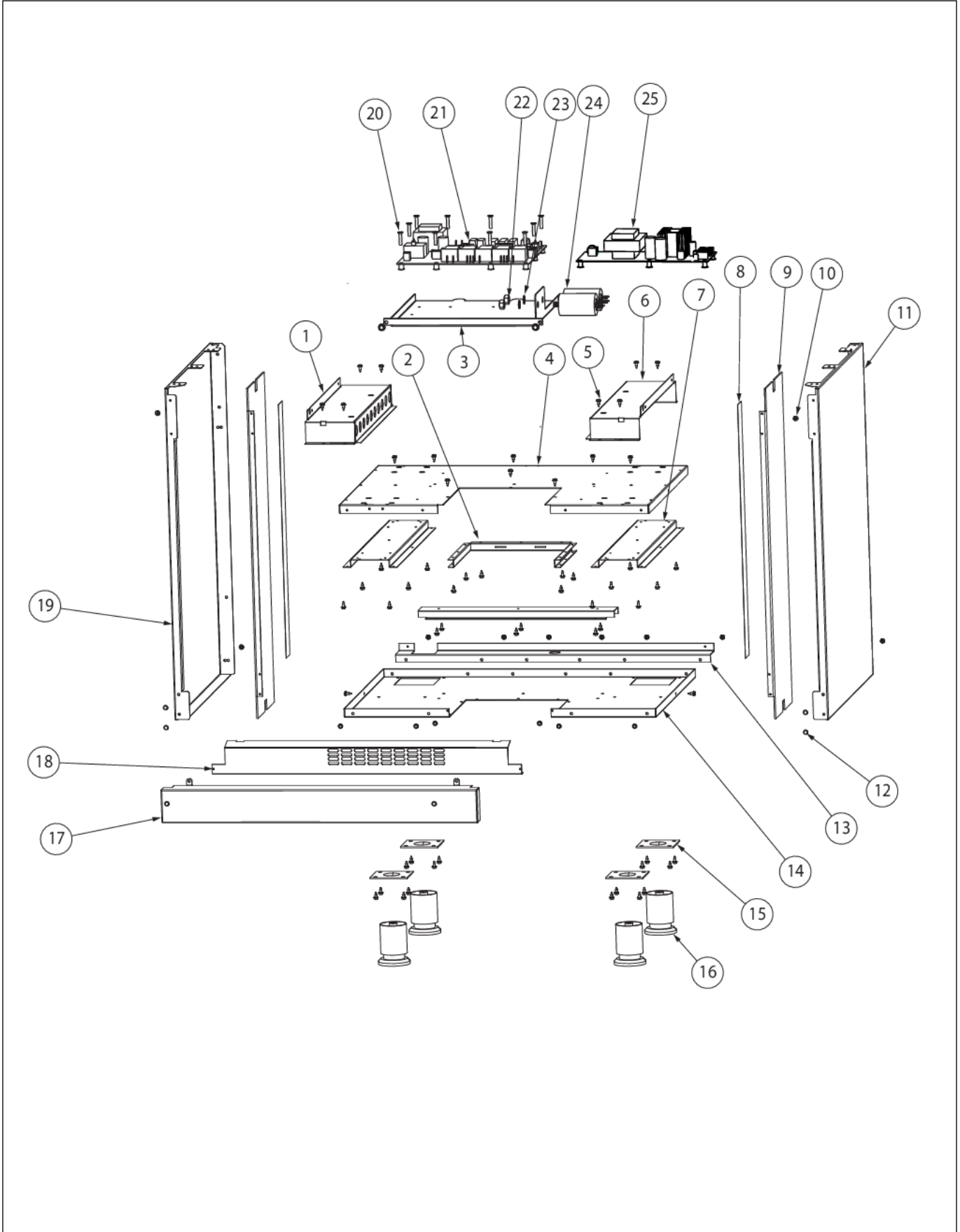
| Item | Part No. | Name | Qty | Uom | NOTES |
|------|------------|--|-----|-----|--|
| 18 | 023252-006 | SRV DOOR SKIN KIT, VDSC530, 530T, WH | 1 | EA | |
| 18 | 023252-008 | SRV DOOR SKIN KIT, VDSC530, 530T, BU | 1 | EA | |
| 18 | 023252-009 | SRV DOOR SKIN KIT, VDSC530, 530T, LE | 1 | EA | |
| 18 | 023252-010 | SRV DOOR SKIN KIT, VDSC530, 530T, MJ | 1 | EA | |
| 18 | 023252-012 | SRV DOOR SKIN KIT, VDSC530, 530T, VB | 1 | EA | |
| 18 | 023252-013 | SRV DOOR SKIN KIT, VDSC530, 530T, CB | 1 | EA | |
| 18 | 023252-015 | SRV DOOR SKIN KIT, VDSC530, 530T, PL | 1 | EA | Not available online / Call for pricing and availability |
| 18 | 023252-016 | SRV DOOR SKIN KIT, VDSC530, 530T, CH | 1 | EA | |
| 18 | 023252-017 | SRV DOOR SKIN KIT, VDSC530, 530T, TP | 1 | EA | |
| 18 | 023252-018 | SRV DOOR SKIN KIT, VDSC530, 530T, CW NLA | 1 | EA | |
| 18 | 023252-019 | SRV DOOR SKIN KIT, VDSC530, 530T, OG | 1 | EA | |
| 18 | 023252-020 | SRV DOOR SKIN KIT, VDSC530, 530T, GM | 1 | EA | |
| 18 | 023252-021 | SRV DOOR SKIN KIT, VDSC530, 530T, SA | 1 | EA | |
| 18 | 023252-022 | SRV DOOR SKIN KIT, VDSC530, 530T, SE | 1 | EA | |
| 18 | 023252-023 | SRV DOOR SKIN KIT, VDSC530, 530T, IB | 1 | EA | Not available online / Call for pricing and availability |
| 18 | 023252-024 | SRV DOOR SKIN KIT, VDSC530, 530T, AR | 1 | EA | |
| 18 | 023252-025 | SRV DOOR SKIN KIT, VDSC530, 530T, RR | 1 | EA | |
| 18 | 023252-026 | SRV DOOR SKIN KIT, VDSC530, 530T, PM | 1 | EA | |
| 18 | 023252-027 | SRV DOOR SKIN KIT, VDSC530, 530T, MS | 1 | EA | |
| 19 | 002728-000 | DOOR HANDLE - SS, 1.25" 29.5 | 1 | EA | |
| 20 | PE010016 | LOGO (ALL RANGES) *BK/CHR 307997W | 1 | EA | |





| Item | Part No. | Name | Qty | Uom | NOTES |
|--------------|------------|---|-----|-----|--|
| 21 | PD030006 | CAPPED WASHER PAL NUT | 1 | EA | |
| 22 | 003011-000 | DOOR HANDLE ENDCAP ASSY, LH (CHROME) | 1 | EA | |
| 23 | 002724-000 | DOOR SKIN HEAT SINK, 30" | 1 | EA | |
| 24 | 004907-000 | STEEL FINISHING PLUG, NICKEL PLTD 25/64" HOLE | 4 | EA | |
| 25 | A20012641 | HINGE SUPPORT LH | 1 | EA | |
| 26 | L20014077 | 30" WINDOW HOLDER | 1 | EA | |
| Not Shown | NOTE | (NOT FIELD REPLACEABLE - MUST ORDER ITEM # 18) | | EA | |
| 27 | PD020033 | SRW-#10-24X1/2"(23)PH.WFR HD (NKL) | 4 | EA | |
| 28 | PD030010 | #10-24 KEPS NUT ZINC PLATED | 3 | EA | |
| 29 | A21014003 | DOOR LINER MTG. BRKT. | 2 | EA | |
| 30 | 002740-000 | DOOR HINGE | 2 | EA | See TC-0121- SP Service Bulletin |
| NI | PB070246 | 30" DOOR GASKET | 1 | EA | |
| 31 | 006788-000 | INSULATION,DOOR, TOP,SUPE RWool,.25,VDSC530 | 1 | EA | |

LOWER UNIT AND SIDE PANELS



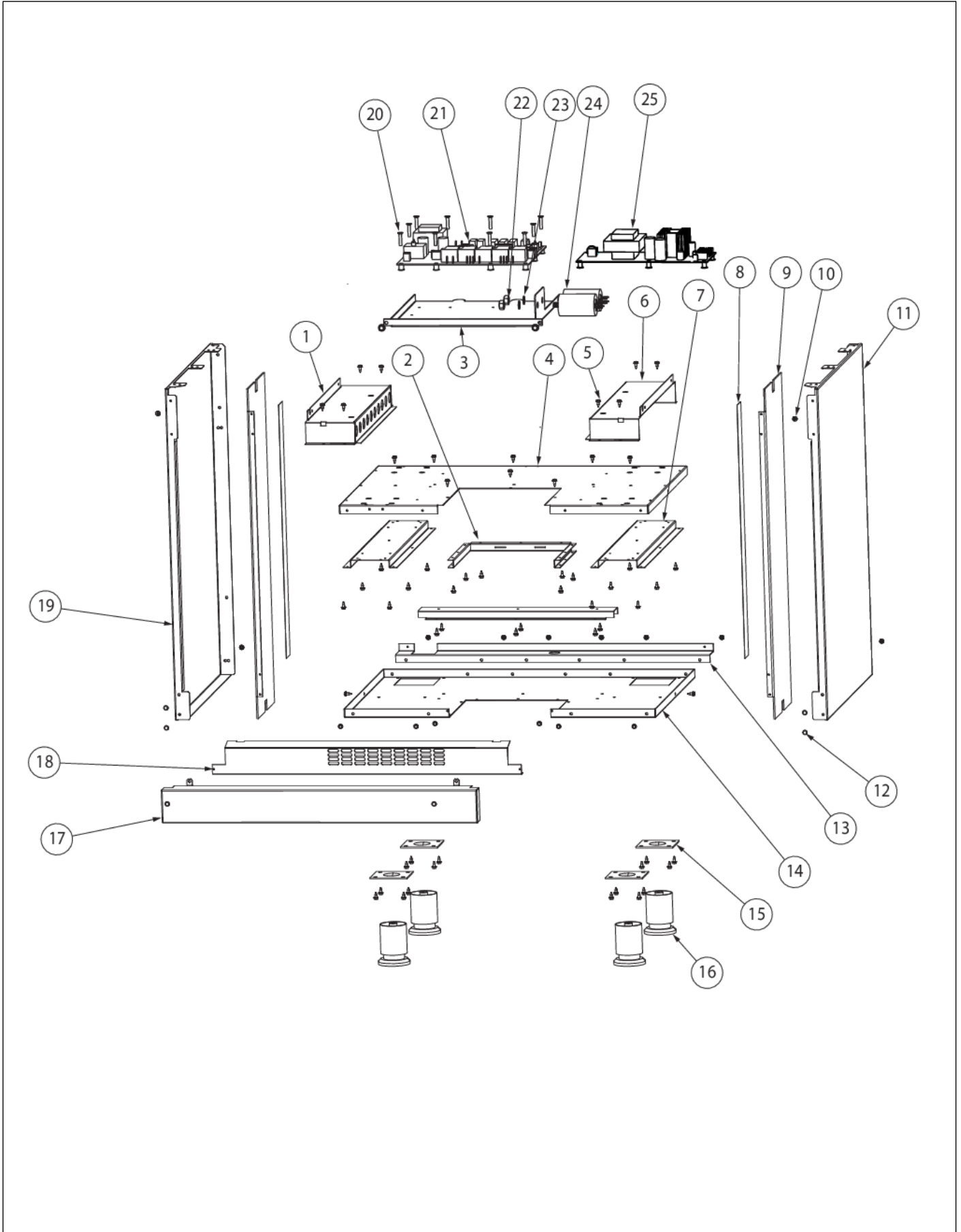


| Item | Part No. | Name | Qty | Uom | NOTES |
|------|------------|---------------------------------------|-----|-----|---|
| 1 | 003763-000 | OVEN MODULE SUPPORT CHANNEL, LH | 1 | EA | |
| 2 | 003054-000 | BASE CENTER CUTOUT STIFFENER | 1 | EA | |
| 3 | 015096-000 | PLATE, MTG, EOC4 CONTROL BOARD | 1 | EA | |
| 4 | 003052-000 | BASE TOP PLATE | 1 | EA | |
| 5 | 003860-000 | 10-18 x .500 FASTNR,SCR,HXWH,STL,ZPLT | 71 | EA | |
| 6 | 003761-000 | OVEN MODULE SUPPORT CHANNEL, RH | 1 | EA | |
| 7 | 003053-000 | BASE LEG SUPPORT CHANNEL | 2 | EA | |
| 8 | M0275166 | TAPE-ALUM SL | 2 | EA | |
| 9 | 002238-000 | HEAT SINK-SIDE PANEL | 2 | EA | NO LONGER AVAILABLE, Not available online / Call for pricing and availability |
| 10 | 003801-000 | SHOULDER SCREW, #10 | 2 | EA | |
| 11 | 002905-000 | SIDE PANEL, RH | 1 | EA | |
| 12 | PD020032 | SRW-8(A)X3/8"PH.WFR HD 7/16DIA*NICL | 4 | EA | |
| 13 | 003323-000 | OVEN LEDGE, BACK | 1 | EA | |
| 14 | 003051-000 | BASE LOWER PLATE | 1 | EA | |
| 15 | PC030007 | LEG PLATE - 3/4" THREADED HOLE | 4 | EA | |
| 16 | 044178-000 | RANGE, LEG, ADJUSTABLE | 4 | EA | |
| 17 | 002910-000 | KICKPLATE - STAINLESS | 1 | EA | |
| 18 | 003330-000 | ACCESS GRILL PANEL, LOWER | 1 | EA | |
| 19 | 003588-000 | SIDE PANEL, LH | 1 | EA | |
| 20 | PD020043 | #6-32 X .750 PH. CTRSK T(F)-VGSO166 | 13 | EA | |
| 21 | 002406-000 | CONTROL BOARD | 1 | EA | |

Comments for Part Num. 002406-000

haarnink@vikingrange.com on Jun 18, 2015

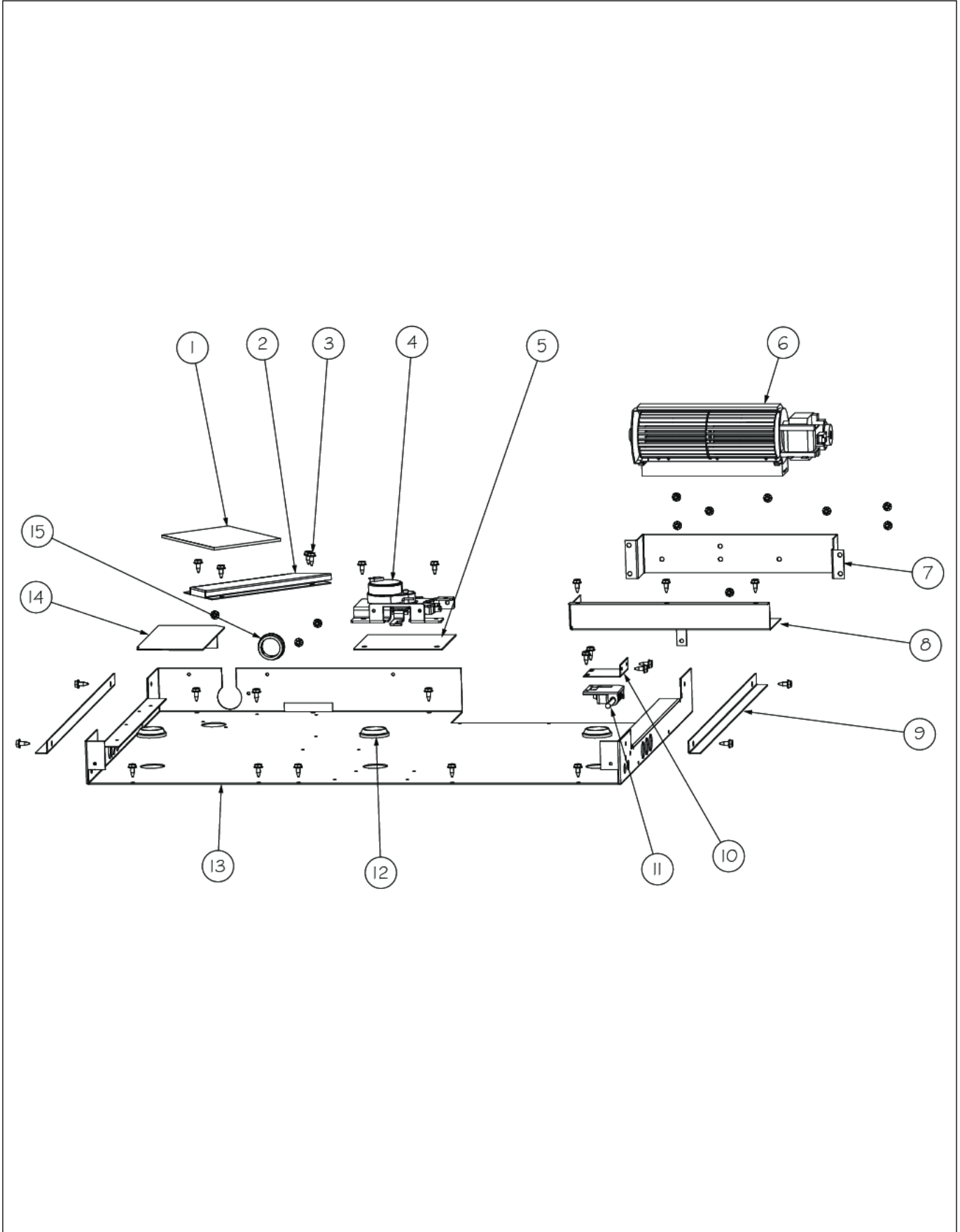
For the international E Model numbers EVDSC5 we need to add the info that since First unit was EVDSC530S4B: 092314C10147281 any EVDSC built in 2014 went into production with EOC4. so here we need to add the part number 014000-000 EOC4 plus the SMPS part number 013999-000





| Item | Part No. | Name | Qty | Uom | NOTES |
|-----------|------------|---|-----|-----|-------|
| Not Shown | NOTE | (BEFORE 7/20/10 - 072010C00007885) | | EA | |
| 21 | 046142-556 | CONTROL, EOC4, LED, V39/V51 & FAMILY | 1 | EA | |
| Not Shown | NOTE | (ON OR AFTER 7/20/10 - 072010C00007885) | | EA | |
| NI | 021340-000 | LINEAR POWER SUPPLY, SINGLE | 1 | EA | |
| Not Shown | NOTE | (ON OR AFTER 7/20/10 - 072010C00007885) | | EA | |
| 22 | PD030172 | M8 X 1.25MM NUT | 2 | EA | |
| 23 | PD040164 | 5/16 INTERNAL TOOTH LOCK WASHER TYPE A | 2 | EA | |
| 24 | 036047-000 | CAPACITOR, CONV MOTOR, INTL | 2 | EA | |
| 25 | 021340-000 | LINEAR POWER SUPPLY, SINGLE | 1 | EA | |

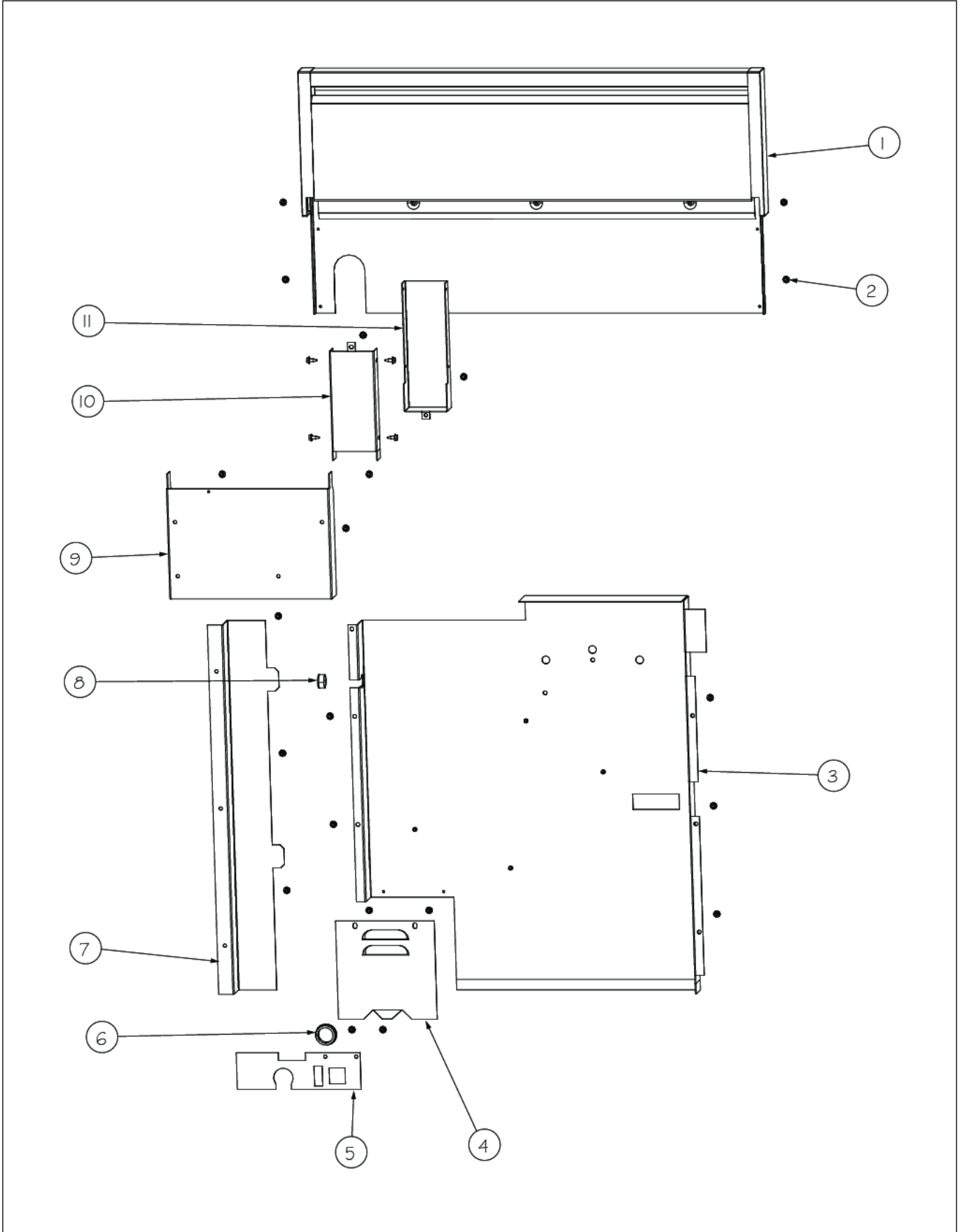
OVEN ELECTRONICS





| Item | Part No. | Name | Qty | Uom | NOTES |
|---|------------|--|-----|-----|---|
| 1 | 004285-000 | INSULATION, FOIL-BACKED,4"x5" | 1 | EA | |
| 2 | 003333-000 | DUCT, FLUE | 1 | EA | |
| 3 | 003860-000 | 10-18 x .500 FASTNR,SCR,HXWH,STL,ZPLT | 36 | EA | |
| 4 | 013250-000 | LATCH,DOOR,ASM,240V,GRID DLE LOCKOUT | 1 | EA | |
| Not Shown | NOTE | (BEFORE 10/31/13) | | EA | |
| 4 | 039293-000 | LATCH, ELEC, 240V, ASSY | 1 | EA | |
| Not Shown | NOTE | (ON OR AFTER 10/31/13) | | EA | |
| 5 | PB070321 | Lower Latch Insulation | 1 | EA | |
| 6 | PE050250 | Blower | 1 | EA | |
| Comments for Part Num. PE050250 | | | | | |
| highendappsvc@gmail.com on Jan 28, 2019 | | | | | |
| If you need to replace cooling fan for the model vgsc5486gss serial date code 031412, do not order this fan, this fan is larger and configured wrong. The correct fan is 007794-000. it is smaller. | | | | | |
| Not Shown | NOTE | BEFORE 8/6/2013 | | EA | |
| 6 | 018607-000 | FAN, BLO, 220-240V 50/60Hz ASM (MT1664) | 1 | EA | |
| Not Shown | NOTE | AFTER 8/6/13 | | EA | |
| 7 | 004110-000 | Blower Mount | 1 | EA | |
| 8 | A2009659 | Blower Bracket | 1 | EA | |
| 9 | 008215-000 | SIDE INSULATION RETAINER | 2 | EA | Not available online / Call for pricing and availability |
| 10 | A20012649 | DOOR SWITCH BRACKET | 1 | EA | |
| 11 | PE050208 | DOOR SWITCH | 1 | EA | |
| 12 | PB070079 | SILICONE EXTRUSION (DGSU) | 3 | EA | |
| 13 | 002754-000 | RANGE TOP BRACE, AIR CHANNEL | 1 | EA | |
| 14 | 004016-000 | PLATE,SVCE,RGLT | 1 | EA | |
| 15 | PD040152 | SNAP BUSHING | 1 | EA | |

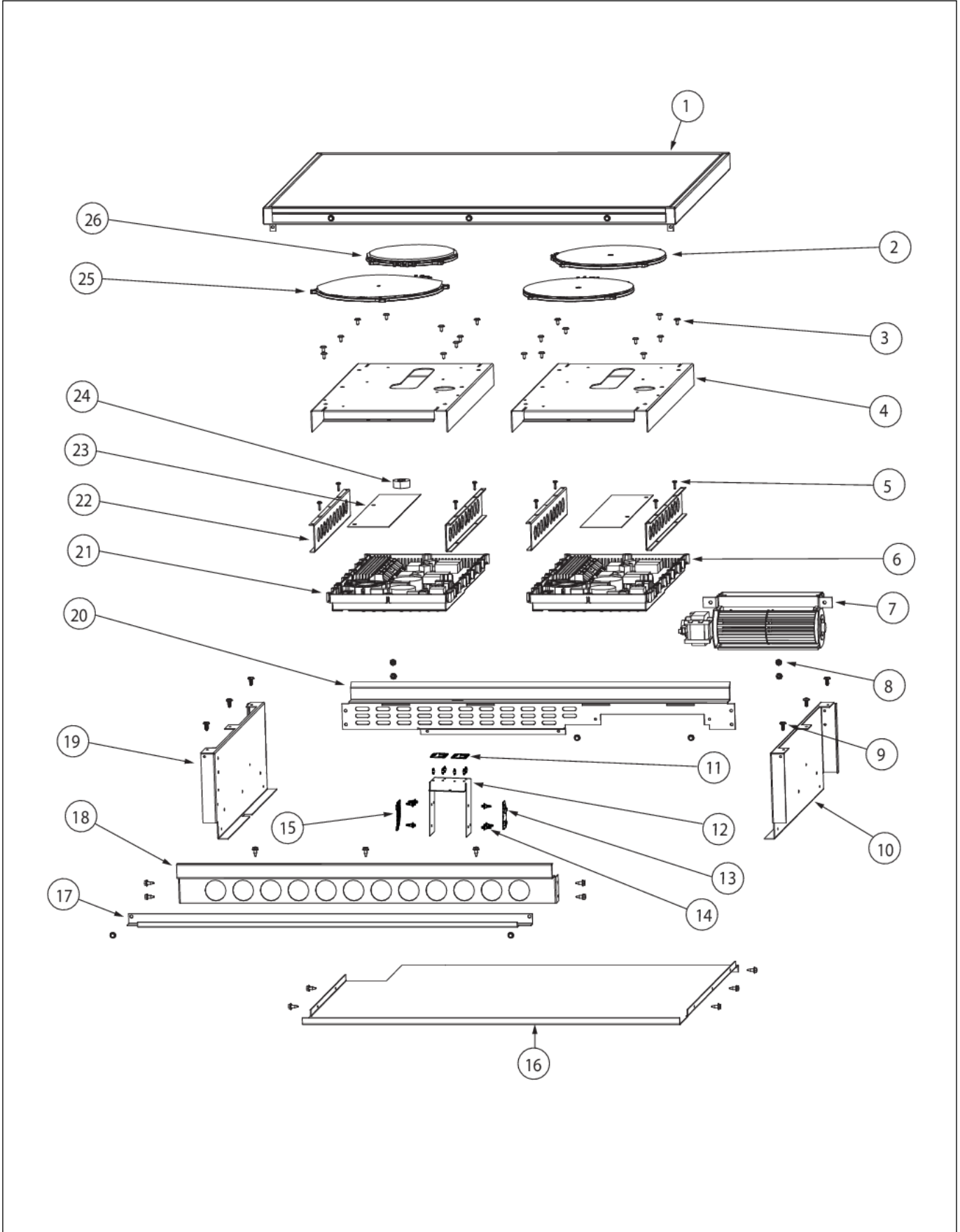
REAR SHEET METAL



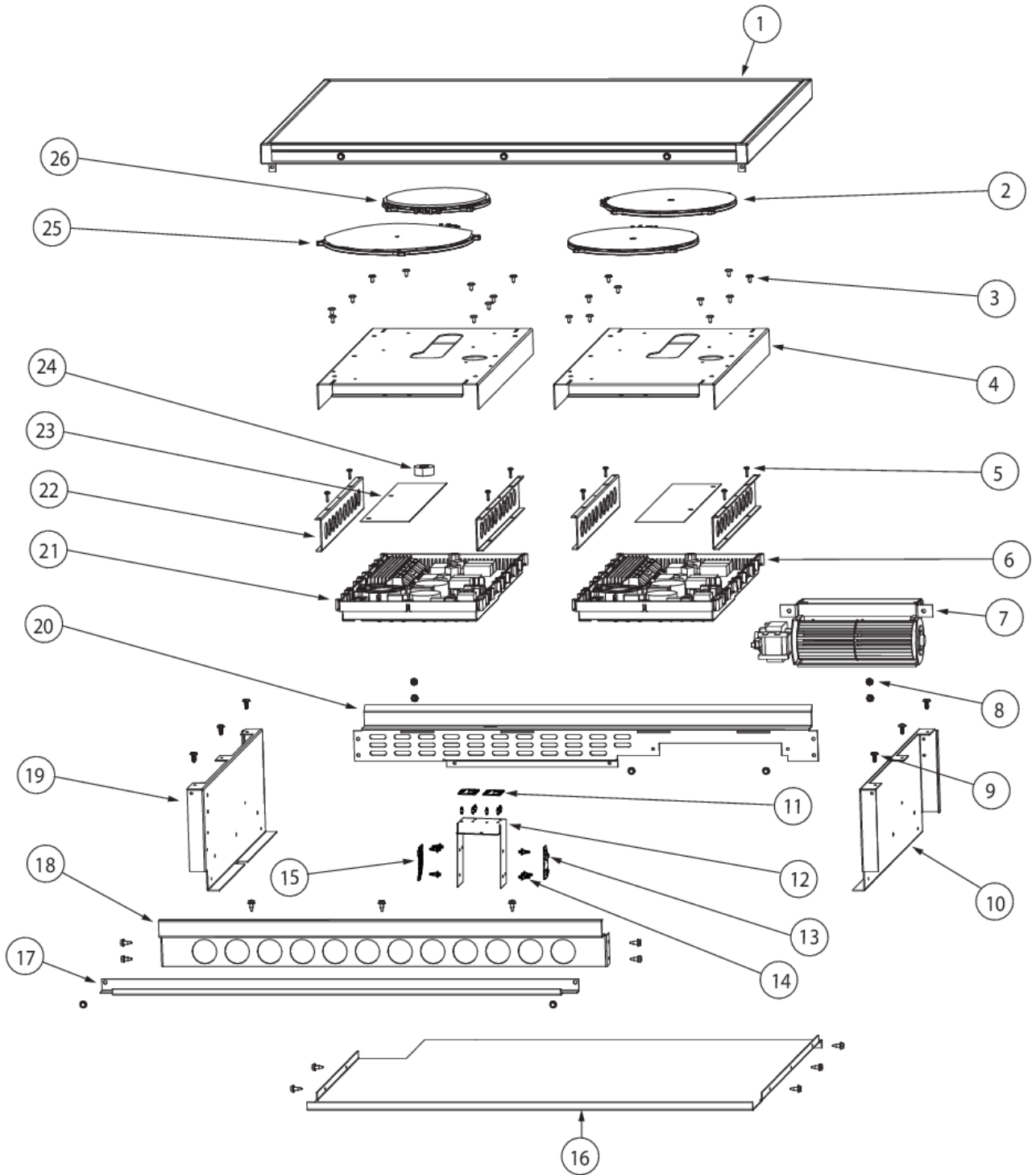


| Item | Part No. | Name | Qty | Uom | NOTES |
|------|------------|--|-----|-----|---|
| 1 | 003815-000 | 30" WIDE x 8" HIGH BACKGUARD ASSY | 1 | EA | |
| 2 | 003860-000 | 10-18 x .500 FASTNR,SCR,HXWH,STL,ZPLT | 25 | EA | |
| 3 | 003272-000 | COVER, BACK- INTERNATIONAL | 1 | EA | |
| 4 | A2002454 | BACK, COVER ACCESS DOOR | 1 | EA | |
| 5 | 003702-000 | PLATE,MOUNTING,TEST CONNECTOR | 1 | EA | Not available online / Call for pricing and availability |
| 6 | PD040152 | SNAP BUSHING | 1 | EA | |
| 7 | 003245-000 | CHANNEL, WIRE, REAR | 1 | EA | |
| 8 | PD040005 | SNAP BUSHING - 7/8" | 1 | EA | |
| 9 | 003681-000 | DUCT, AIR | 1 | EA | |
| 10 | A20010102 | FLUE, CENTER EXTENDED | 1 | EA | |
| 11 | A20010101 | FLUE, OUTSIDE SHELL | 1 | EA | |

SURFACE COOKING AREA



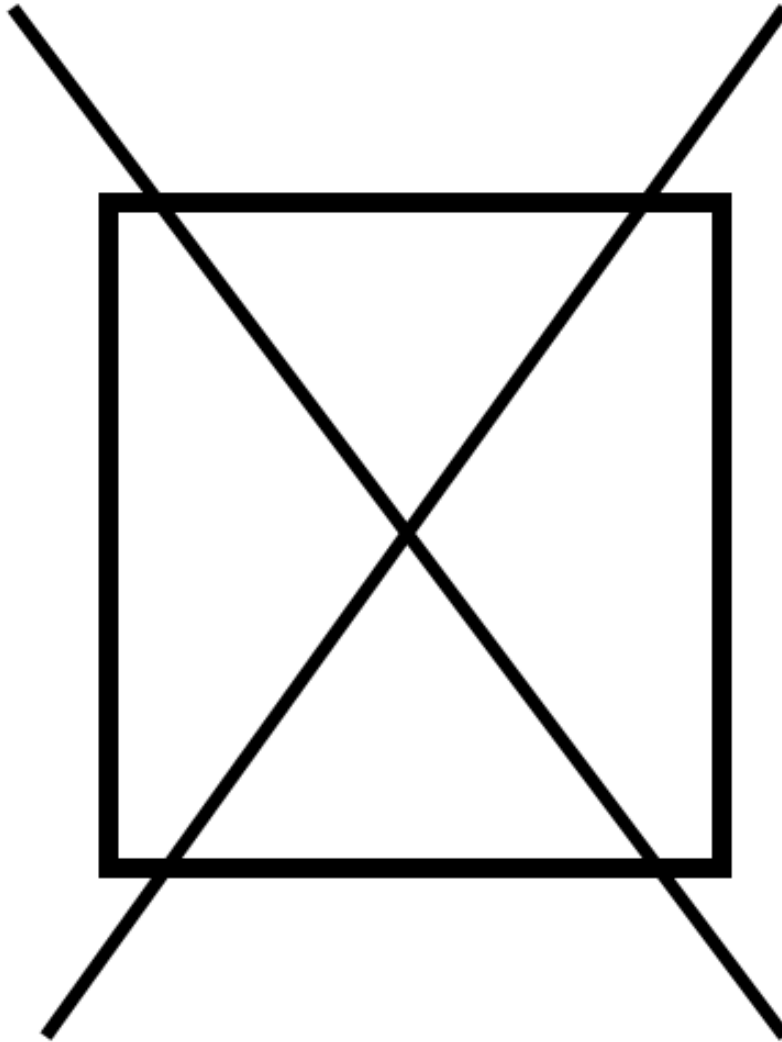
| Item | Part No. | Name | Qty | Uom | NOTES |
|--------------|------------|--|-----|-----|---|
| 1 | 007560-000 | FRAME, GL, ASM, VISC | 1 | EA | |
| 2 | 003134-000 | COIL, IND, 180MM | 2 | EA | |
| 3 | PD020032 | SRW-8(A)X3/8"PH.WFR HD 7/16DIA*NICL | 20 | EA | |
| 4 | 007475-000 | VISC GENERATOR MOUNT | 2 | EA | |
| 5 | PD020005 | 8 X 1/2 PH.PN.HD.SMS. | 8 | EA | |
| 6 | 003133-000 | COOKTOP, GEN | 1 | EA | |
| 7 | 008233-000 | INDUCTION COOKING FAN ASSY | 1 | EA | |
| 8 | 003860-000 | 10-18 x .500 FASTNR, SCR, HXWH, STL, ZPLT | 19 | EA | |
| 9 | 003801-000 | SHOULDER SCREW, #10 | 6 | EA | |
| 10 | 002755-000 | BURNER BOX SIDE, RH | 1 | EA | |
| 11 | 003136-000 | INDICATOR, IND, RED | 2 | EA | |
| 12 | 007494-000 | INDUC/CONV MOUNT | 1 | EA | |
| 13 | 003154-044 | CONV 1850 WATT | 1 | EA | |
| Not Shown | NOTE | (INTERFACE BOARD) | | EA | |
| NI | 007585-000 | CABLE CONV TO GEN | 1 | EA | |
| 14 | 003715-000 | CONVERTER STANDOFF | 12 | EA | |
| 15 | 003154-043 | CONV 3700/1400 WATT | 1 | EA | |
| Not Shown | NOTE | (INTERFACE BOARD) | | EA | |
| NI | 004069-000 | CONVERTER TO GENERATOR CABLE | 1 | EA | |
| 16 | 002922-000 | BURNER BOX BOTTOM | 1 | EA | Not available online / Call for pricing and availability |
| 17 | 004577-000 | DRIP, LEDGE | 1 | EA | Not available online / Call for pricing and availability |
| 18 | 008186-000 | FRONT SUPPORT | 1 | EA | Not available online / Call for pricing and availability |
| 19 | 003481-000 | BURNER BOX SIDE, LH | 1 | EA | |
| 20 | 007550-000 | SUPPORT, RNG, TOP REAR | 1 | EA | |
| 21 | 007544-000 | COOKTOP GENERATOR 3700/1400 WATT | 1 | EA | |





| Item | Part No. | Name | Qty | Uom | NOTES |
|------|------------|-------------------------|-----|-----|-------|
| 22 | 007847-000 | GENERATOR MOUNTING RAIL | 4 | EA | |
| 23 | 008320-000 | HEAT SINK COVER | 2 | EA | |
| 24 | 003592-000 | CASED CORE | 1 | EA | |
| 25 | 007545-000 | COIL, IND, 210MM | 1 | EA | |
| 26 | 007508-000 | COIL, IND, 145MM | 1 | EA | |

NON
ILLUSTRATED PART





| Item | Part No. | Name | Qty | Uom | NOTES |
|--|------------|---|-----|-----|-------|
| NI | 004132-000 | OVEN HARNESS - NLA | 1 | EA | |
| Not Shown | NOTE | (BEFORE 06/14/10) | | EA | |
| NI | 021182-000 | MAIN OVEN HARNESS - NLA | 1 | EA | |
| Comments for Part Num. 021182-000 | | | | | |
| bradleysapplianceservice@shaw.ca on Apr 27, 2016 | | | | | |
| SUBS TO: 024871-000 MAIN OVEN HARNESS | | | | | |
| Not Shown | NOTE | (06/14/10 THRU 12/6/10) | | EA | |
| NI | 024871-000 | MAIN HARNESS | 1 | EA | |
| Not Shown | NOTE | (ON OR AFTER 12/6/10) | | EA | |
| NI | 004133-000 | CONTROL PANEL HARNESS | 1 | EA | |
| Not Shown | NOTE | (BEFORE 7/20/10 - 072010C00007885) | | EA | |
| NI | 020019-000 | HARNESS, WRG, CONTROL | 1 | EA | |
| Not Shown | NOTE | (ON OR AFTER 7/20/10 - 072010C00007885) | | EA | |
| NI | 005292-000 | HARN,HEADER, MODEL 5 (SEE MODEL_HEADER) | 1 | EA | |
| Not Shown | NOTE | BEFORE 7/20/10 (072010C00007885) | | EA | |
| NI | 023022-000 | HARN, HEADER, MODEL 17 (SEE MODEL_HEADER) | 1 | EA | |
| Not Shown | NOTE | (ON OR AFTER 7/20/10 (072010C00007885) | | EA | |
| NI | 000915-000 | LIMIT JUMPER | 1 | EA | |
| Not Shown | NOTE | (BEFORE 7/20/10 - 072010C00007885) | | EA | |
| NI | PE070734 | SINGLE OVEN HEADER | 1 | EA | |
| Not Shown | NOTE | (BEFORE 7/20/10 - 072010C00007885) | | EA | |
| NI | 007562-000 | CABLE RED ALPS TO CONV | 2 | EA | |
| Not Shown | NOTE | (FROM ROTARY CONTROL TO INTERFACE BOARD) | | EA | |
| NI | 004073-000 | ALPS TO CONVERTER CABLE | 2 | EA | |
| Not Shown | NOTE | (FROM ROTARY CONTROL TO INTERFACE BOARD) | | EA | |



Appendix A:Pages Index

CAVITY INTERIOR 1
CONTROL AREA 2
DOOR ASSEMBLY 3
LOWER UNIT AND SIDE PANELS 4
OVEN ELECTRONICS 5
REAR SHEET METAL 6
SURFACE COOKING AREA 7
WIRING 8



Appendix B:Parts Index

| | | | |
|------------|---|------------|---------------|
| 000594-000 | 3 | 003702-000 | 6 |
| 000915-000 | 8 | 003715-000 | 7 |
| 002238-000 | 4 | 003719-000 | 2 |
| 002406-000 | 4 | 003761-000 | 4 |
| 002724-000 | 3 | 003763-000 | 4 |
| 002726-000 | 3 | 003801-000 | 1, 4, 7 |
| 002728-000 | 3 | 003815-000 | 6 |
| 002730-000 | 3 | 003860-000 | 1, 4, 5, 6, 7 |
| 002732-000 | 3 | 004016-000 | 5 |
| 002740-000 | 3 | 004069-000 | 7 |
| 002754-000 | 5 | 004073-000 | 8 |
| 002755-000 | 7 | 004110-000 | 5 |
| 002905-000 | 4 | 004132-000 | 8 |
| 002910-000 | 4 | 004133-000 | 8 |
| 002922-000 | 7 | 004152-000 | 3 |
| 002941-000 | 1 | 004153-000 | 3 |
| 003011-000 | 3 | 004285-000 | 5 |
| 003012-000 | 3 | 004577-000 | 7 |
| 003051-000 | 4 | 004907-000 | 3 |
| 003052-000 | 4 | 005038-000 | 1 |
| 003053-000 | 4 | 005270-000 | 2 |
| 003054-000 | 4 | 005271-000 | 2 |
| 003133-000 | 7 | 005292-000 | 8 |
| 003134-000 | 7 | 005311-000 | 1 |
| 003136-000 | 7 | 006787-000 | 3 |
| 003154-043 | 7 | 006788-000 | 3 |
| 003154-044 | 7 | 007475-000 | 7 |
| 003225-000 | 2 | 007494-000 | 7 |
| 003244-000 | 1 | 007508-000 | 7 |
| 003245-000 | 6 | 007544-000 | 7 |
| 003272-000 | 6 | 007545-000 | 7 |
| 003323-000 | 4 | 007550-000 | 7 |
| 003330-000 | 4 | 007560-000 | 7 |
| 003333-000 | 5 | 007561-000 | 2 |
| 003356-000 | 1 | 007562-000 | 8 |
| 003481-000 | 7 | 007585-000 | 7 |
| 003588-000 | 4 | 007847-000 | 7 |
| 003592-000 | 7 | 008186-000 | 7 |
| 003644-000 | 1 | 008215-000 | 5 |
| 003681-000 | 6 | 008233-000 | 7 |
| | | 008320-000 | 7 |



| | | | |
|------------|------|-------------|---|
| 009331-000 | 2 | 030823-000 | 3 |
| 013250-000 | 5 | 031401-2064 | 2 |
| 014143-000 | 1 | 031679-000 | 1 |
| 015043-000 | 2 | 036047-000 | 4 |
| 015096-000 | 4 | 039293-000 | 5 |
| 015412-000 | 3 | 044178-000 | 4 |
| 018607-000 | 5 | 046142-556 | 4 |
| 020019-000 | 8 | 050172-000 | 2 |
| 021182-000 | 8 | A1002457 | 1 |
| 021336-000 | 2, 2 | A20010101 | 6 |
| 021340-000 | 4, 4 | A20010102 | 6 |
| 023022-000 | 8 | A20012640 | 3 |
| 023251-000 | 3 | A20012641 | 3 |
| 023252-002 | 3 | A20012649 | 5 |
| 023252-003 | 3 | A20012650 | 1 |
| 023252-004 | 3 | A2002195 | 1 |
| 023252-005 | 3 | A2002454 | 6 |
| 023252-006 | 3 | A2009612 | 1 |
| 023252-008 | 3 | A2009622 | 1 |
| 023252-009 | 3 | A2009641 | 1 |
| 023252-010 | 3 | A2009659 | 5 |
| 023252-012 | 3 | A2009696 | 1 |
| 023252-013 | 3 | A2009697 | 1 |
| 023252-015 | 3 | A21014003 | 3 |
| 023252-016 | 3 | A21014019 | 1 |
| 023252-017 | 3 | B21010915 | 1 |
| 023252-018 | 3 | B21010916 | 1 |
| 023252-019 | 3 | E21014038 | 1 |
| 023252-020 | 3 | E9107933 | 1 |
| 023252-021 | 3 | E9107934 | 1 |
| 023252-022 | 3 | E9109655 | 1 |
| 023252-023 | 3 | G91013598 | 1 |
| 023252-024 | 3 | H30014980 | 1 |
| 023252-025 | 3 | H30014982 | 1 |
| 023252-026 | 3 | L20014077 | 3 |
| 023252-027 | 3 | M0275166 | 4 |
| 024040-000 | 1 | PB020275 | 1 |
| 024102-000 | 1 | PB060104 | 1 |
| 024221-000 | 1 | PB060107 | 1 |
| 024234-000 | 1 | PB070079 | 5 |
| 024871-000 | 8 | PB070246 | 3 |



| | | | |
|----------------|------------|----------------|---|
| PB070321 | 5 | PM010014 | 1 |
| PC030007 | 4 | | |
| PD020005 | 7 | | |
| PD020010 | 1 | | |
| PD020014 | 1 | | |
| PD020032 | 2, 3, 4, 7 | | |
| PD020033 | 3 | | |
| PD020043 | 4 | | |
| PD020044 | 2 | | |
| PD020046 | 2 | | |
| PD020048 | 1 | | |
| PD020061 | 1 | | |
| PD020062 | 1 | | |
| PD020063 | 1, 3 | | |
| PD020067 | 1 | | |
| PD020073 | 3 | | |
| PD020232 | 1 | | |
| PD030006 | 3 | | |
| PD030010 | 3 | | |
| PD030114 | 2 | | |
| PD030172 | 4 | | |
| PD040004 | 2 | | |
| PD040005 | 6 | | |
| PD040152 | 5, 6 | | |
| PD040164 | 4 | | |
| PE010016 | 3 | | |
| PE050023 | 2 | | |
| PE050072 | 2 | | |
| PE050203 | 1 | | |
| PE050206 | 1 | | |
| PE050208 | 5 | | |
| PE050250 | 5 | | |
| PE060090 | 3 | | |
| PE060094 | 3 | | |
| PE060105 | 3 | | |
| PE070147 | 1 | | |
| PE070734 | 8 | | |
| PJ010047 | 1 | | |
| PJ010048 | 1 | | |
| PJ030033 | 2 | | |
| PJ030035 | 2 | | |