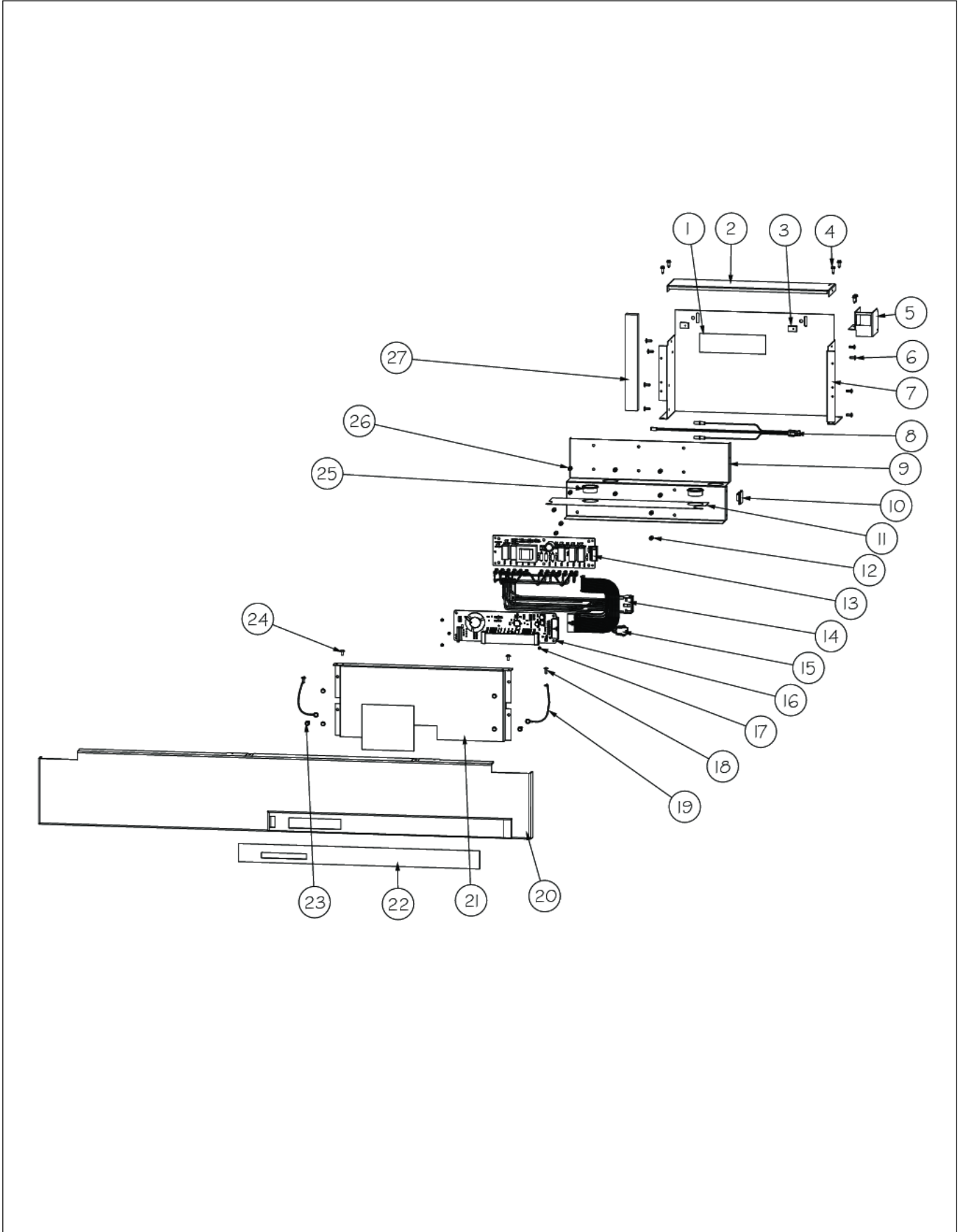


VISB548

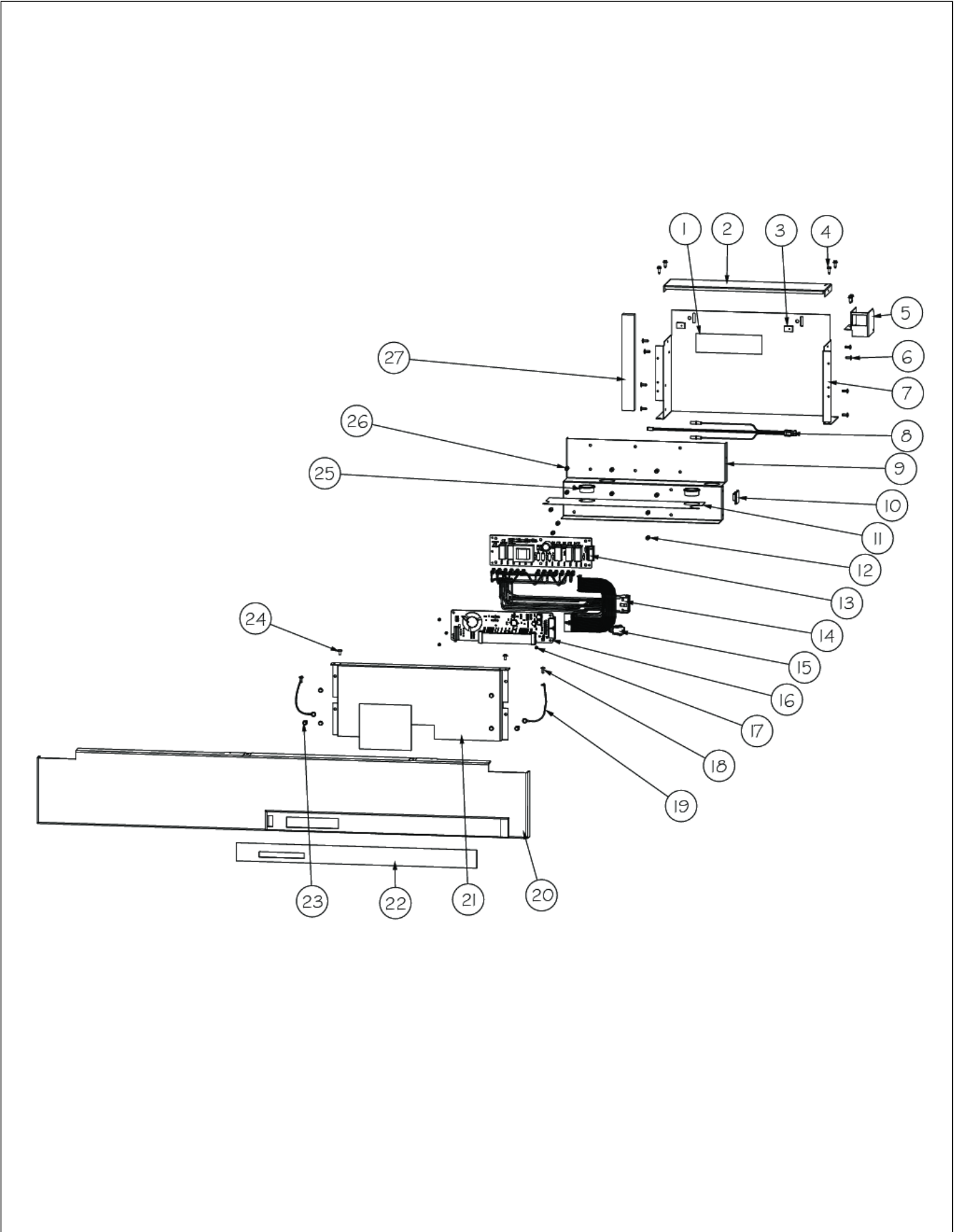
CONTROL ASSEMBLY	1
EXTERIOR ASSEMBLY	2
FREEZER DOOR ASSEMBLY	3
FREEZER INTERIOR ASSEMBLY	4
LOW SIDE ASSEMBLY	5
LOWER UNIT ASSEMBLY	6
MC COVER AND UPPER GRILLE ASSEM	7
REFRIG DOOR ASSEMBLY	8
REFRIG INTERIOR ASSEMBLY	9
SEALED SYSTEM ASSEMBLY	10
Appendix A:Pages Index	A
Appendix B:Parts Index	B

CONTROL ASSEMBLY





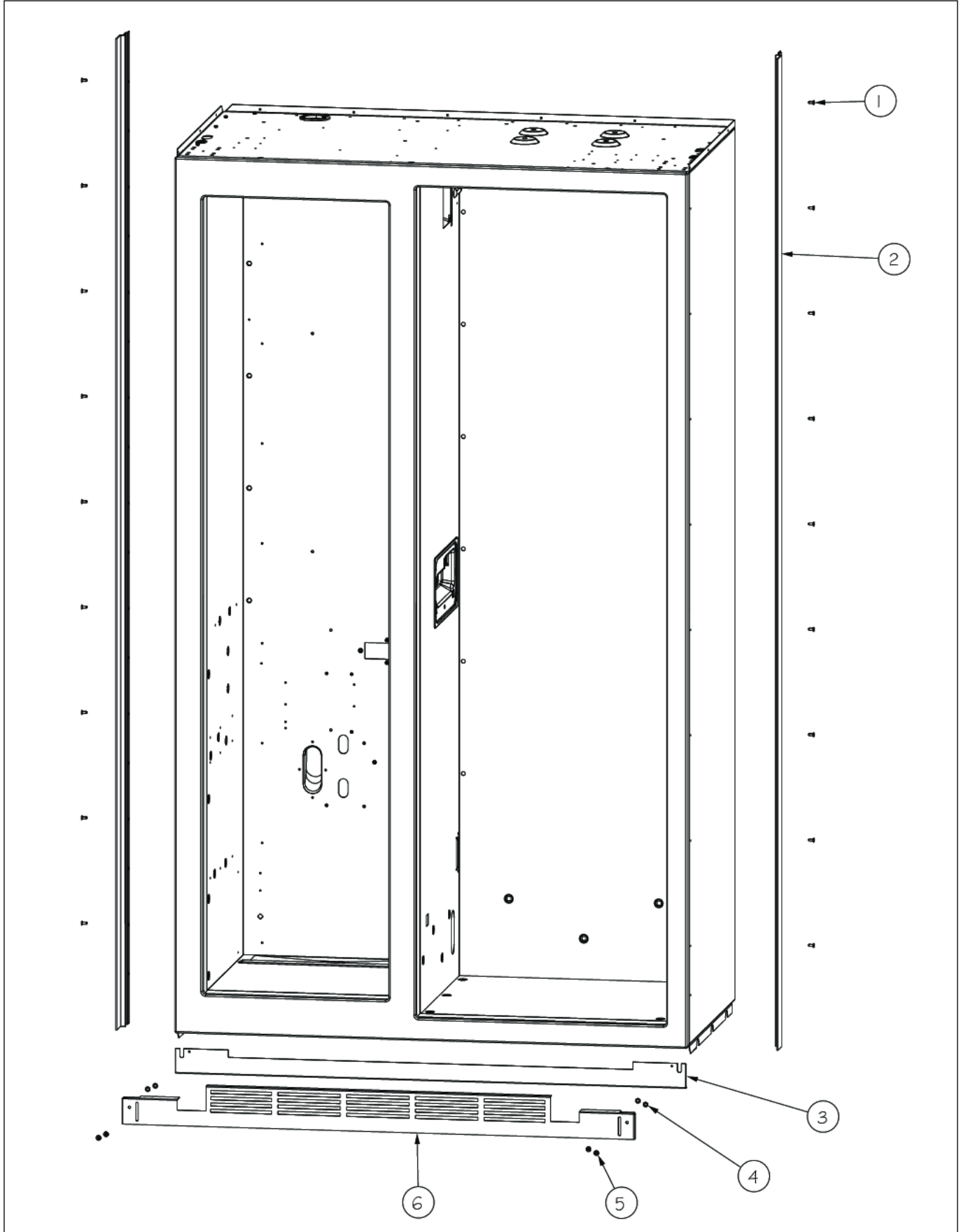
Item	Part No.	Name	Qty	Uom	NOTES
1	PF930672	LABEL DC COMPRESSOR	2	EA	
2	K20915000	CONTROL BOX TOP	1	EA	
3	M0288120	NUT-SPEED VM0288120	2	EA	
4	PD020194	SCR, HEX SRTD WSHR HD, #8-18 X 1/2	10	EA	
5	K2098654	Bracket, Power Switch	1	EA	
6	PC040010	POP RIVET (.063/GR -.125) GAMD42-A	8	EA	
7	K2099402	CONTROL BOX	1	EA	
8	PE970609	HARNESS CONTROL BOARD 5 SERIES	1	EA	
9	K20910060	BRACKET - PC	1	EA	
10	M0104106	CLIP-CORD VM0104106	1	EA	
11	005396-000	FILM,PROTECTIVE	1	EA	
12	M0585506	SUPPORT	5	EA	
13	005319-000	POWER CONTROL BOARD ASM 5 SERIES	1	EA	
<p>Comments for Part Num. 005319-000</p> <p>boltz on Apr 12, 2018 See TR-0056-SP Bulletin</p>					
14	015365-000	HARNESS HIGH VOLT	1	EA	
15	PE970464	HARNESS LOW VOLT 5 SERIES	1	EA	
16	PE070728	BOARD LOW VOLTAGE	1	EA	
<p>Comments for Part Num. PE070728</p> <p>bradleysapplianceservice@shaw.ca on Apr 27, 2016 COULD ALSO USE: 002670-000 LOW VOLTAGE BOARD KIT ANALOG - INCLUDES WIRE HARNESS</p>					
17	PD020013	TYPE "AB" #6 X 3/8 PH PAN HD. SMS	5	EA	
18	PC040010	POP RIVET (.063/GR -.125) GAMD42-A	1	EA	
19	12064001	SUPP-CONT PANEL	2	EA	
20	016593-000	PANEL CONTROL SXS 48	1	EA	
21	K20910061	CONTROL BOX FRONT	1	EA	
22	010489-000	OVERLAY SWITCH SXS 48	1	EA	





Item	Part No.	Name	Qty	Uom	NOTES
23	M0238846	SCREW-SHLDR	2	EA	
24	M0224128	SCREW-SM	2	EA	
25	A4554817	BUSHING-SNAP VA4554817	2	EA	
26	M0585504	SUPPORT	6	EA	
27	A3030361	GASKET RED	1	EA	

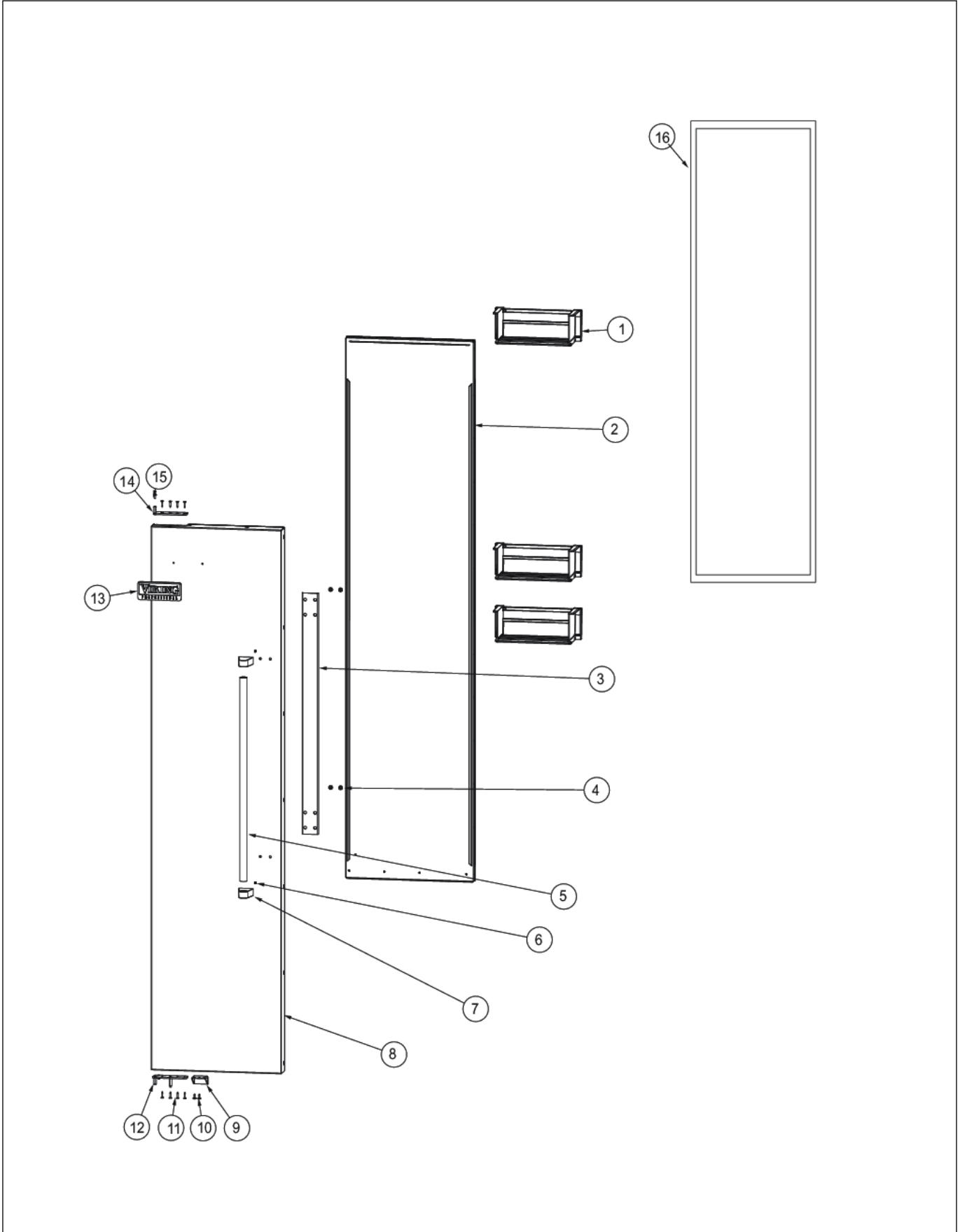
EXTERIOR ASSEMBLY





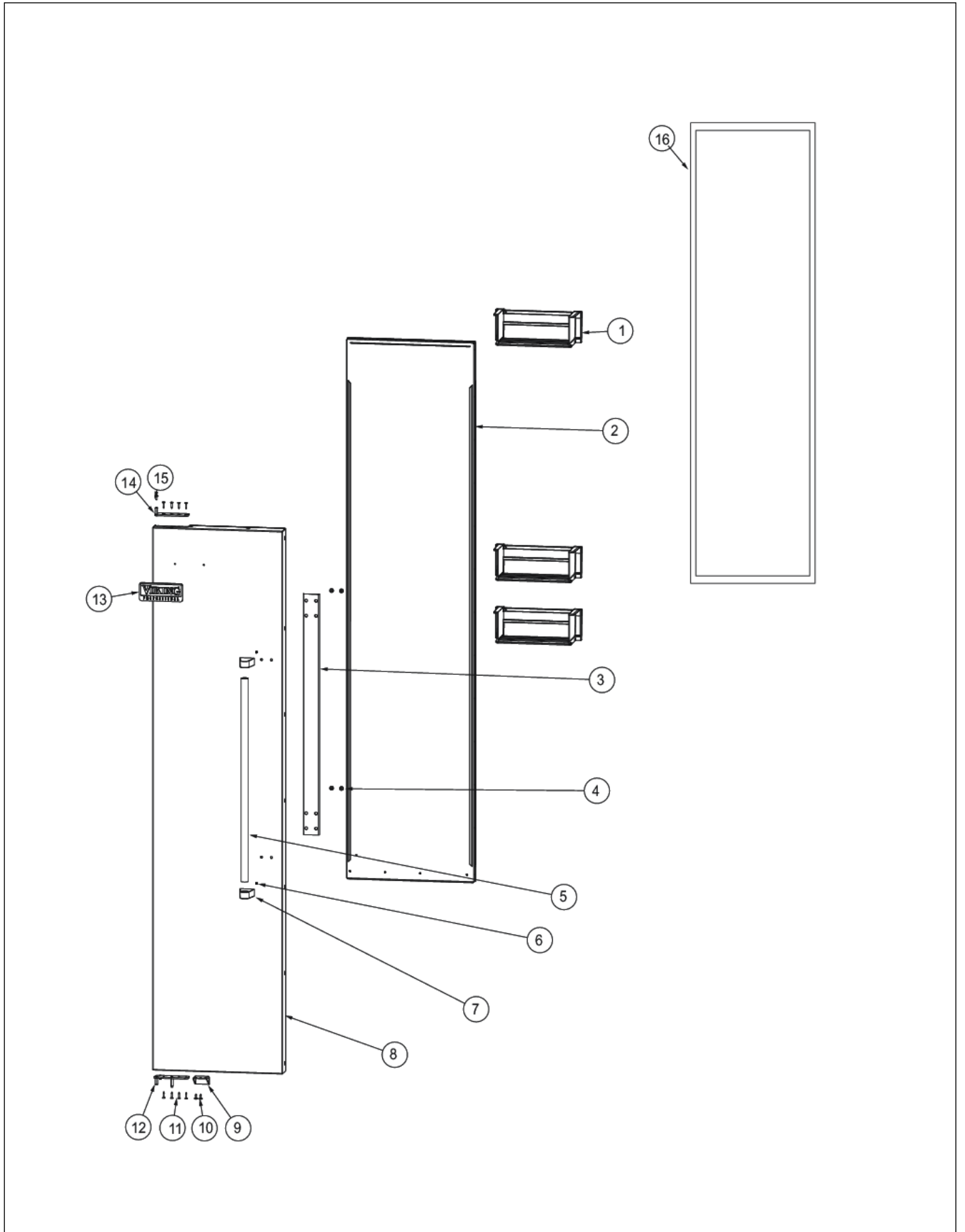
Item	Part No.	Name	Qty	Uom	NOTES
1	M0215318	SCREW-SM	18	EA	
2	PK920066	TRIM, EXTRU, SIDE DES	2	EA	
3	015553-000	VENT, TOE, GRILLE, 48 SXS	1	EA	
4	40370P01	NYLON FLAT WASHER V40370P01	4	EA	
5	M0210443	SCREW-E SM VM0210443	4	EA	
6	015552-000	GRILLE TOE VENTED	1	EA	
NI	045013-000	GRILLE, TOE, ASM, 48 SXS	1	EA	
Not Shown	NOTE	(INCLUDES ITEMS 3, 4, 5, AND 6)		EA	

FREEZER DOOR ASSEMBLY





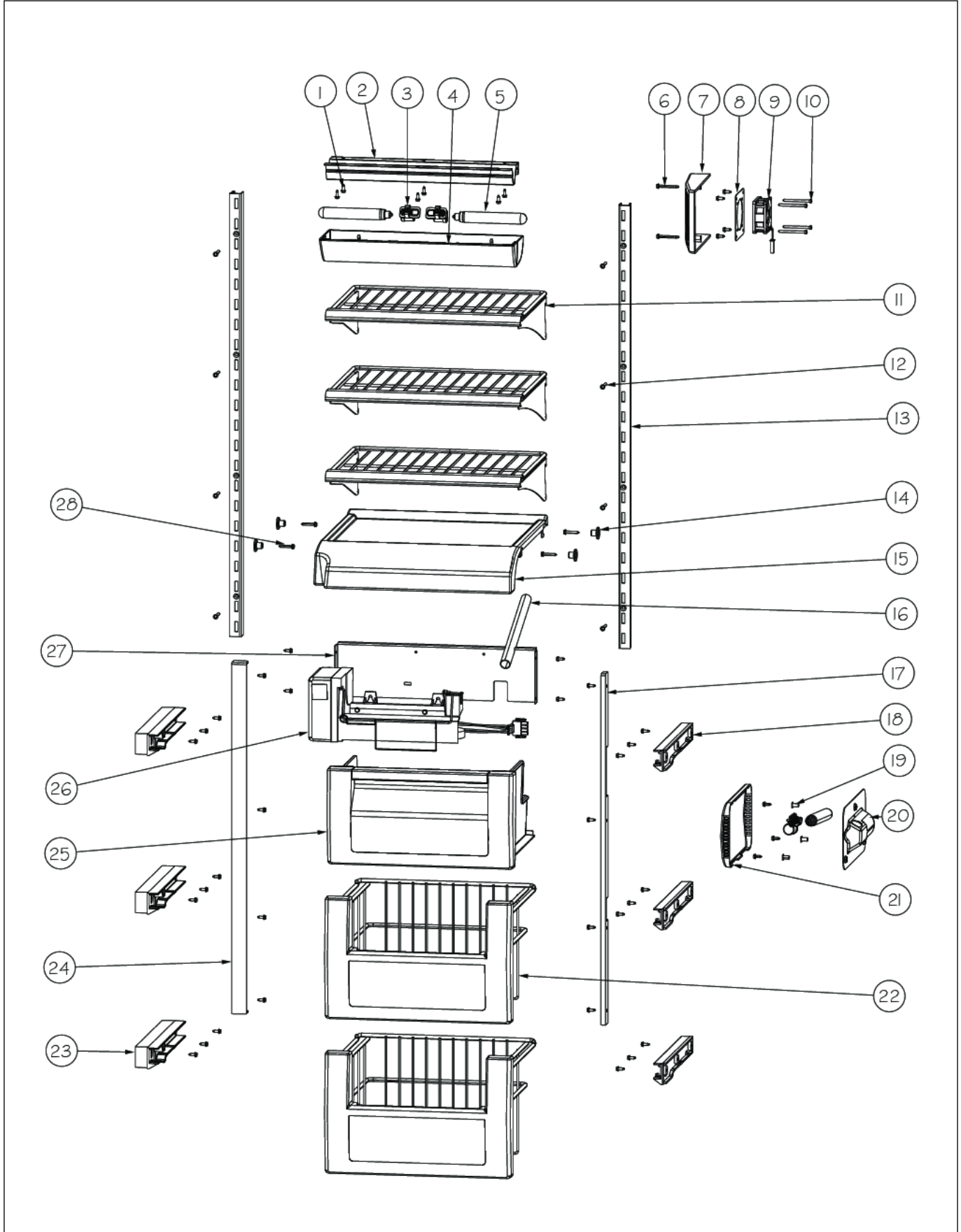
Item	Part No.	Name	Qty	Uom	NOTES
1	036888-000	DOORBIN ASM SXS FZ	3	EA	
2	007050-000	DOOR FOAM ASM SXS 48 FZ	1	EA	
3	013327-000	BRACKET,HDL,DES	1	EA	
4	M0204303	SCREW-MACH	4	EA	
5	014237-000	HANDLE,ASM,DES	1	EA	
6	PD020043	#6-32 X .750 PH. CTRSK T(F)-VGSO166	1	EA	
7	012984-000	HANDLE, ASM, PRO SXS, AF, AR	2	EA	
NI	012984-100	HANDLE ENDCAP BR	2	EA	Not available online / Call for pricing and availability
8	010628-000	SKIN,DOOR,SXS 48 FZ PROI SS	1	EA	
NI	010628-000	SKIN,DOOR,SXS 48 FZ PROI SS	1	EA	
NI	009605-002	SKIN, DOOR, SXS 48 FZ PROI-BK	1	EA	Not available online / Call for pricing and availability
NI	009605-003	SKIN, DOOR, SXS 48 PROI FZ BT	1	EA	
NI	009605-004	SKIN, DOOR, SXS 48 PROI FZ SG	1	EA	
NI	009605-005	SKIN, DOOR, SXS 48 PROI FZ GG	1	EA	
NI	009605-006	SKIN, DOOR, SXS 48 PROI FZ WH	1	EA	
NI	009605-008	SKIN, DOOR, SXS 48 PROI FZ BU	1	EA	
NI	009605-009	SKIN, DOOR, SXS 48 PROI FZ LE	1	EA	
NI	009605-010	SKIN, DOOR, SXS 48 PROI FZ MJ	1	EA	
NI	009605-012	SKIN, DOOR, SXS 48 PROI FZ VB	1	EA	
NI	009605-013	SKIN, DOOR, SXS 48 PROI FZ CB	1	EA	
NI	009605-015	SKIN, DOOR, SXS 48 PROI FZ PL	1	EA	
NI	009605-016	SKIN, DOOR, SXS 48 PROI FZ CH	1	EA	





Item	Part No.	Name	Qty	Uom	NOTES
NI	009605-017	SKIN, DOOR, SXS 48 PROI FZ TP	1	EA	
NI	009605-018	SKIN, DOOR, SXS 48 PROI FZ CW NLA	1	EA	
NI	009605-019	SKIN, DOOR, SXS 48 PROI FZ OG	1	EA	
NI	009605-020	SKIN, DOOR, SXS 48 PROI FZ GM	1	EA	
NI	009605-021	SKIN, DOOR, SXS 48 PROI FZ SA	1	EA	
NI	009605-022	SKIN, DOOR, SXS 48 PROI FZ SE	1	EA	
NI	009605-023	SKIN, DOOR, SXS 48 PROI FZ IB	1	EA	
NI	009605-024	SKIN, DOOR, SXS 48 PROI FZ AR	1	EA	
NI	009605-025	SKIN, DOOR, SXS 48 PROI FZ RR	1	EA	
NI	009605-026	SKIN, DOOR, SXS 48 PROI FZ PM	1	EA	
NI	009605-027	SKIN, DOOR, SXS 48 PROI FZ MS	1	EA	
9	PD050019	STRIKER DOOR SWITCH	1	EA	
10	M0210458	SCREW-SM	2	EA	
11	PD920174	10-32 TORX HEAD SCREW	8	EA	
12	016182-000	PIVOT PL ASM LH LW PRO/DES	1	EA	
13	PE010030	LOGO	1	EA	
NI	PE010031	LOGO 6" (VGRC) *BK/WH*	1	EA	NO LONGER AVAILABLE
NI	PE010068	LOGO 6" (VGRC) BK/BR	1	EA	
NI	PE010076	LOGO 6" (VGRC) *BR/WH*	1	EA	NO LONGER AVAILABLE
14	PC020279	PIVOT PL ASM LH UP PRO/DES	1	EA	
15	PD020234	SCREW THP 10-32 X .500 SS BO	1	EA	
16	005455-000	GASKET,ASM,48,SXS,FZ VID# 602711917-17	1	EA	

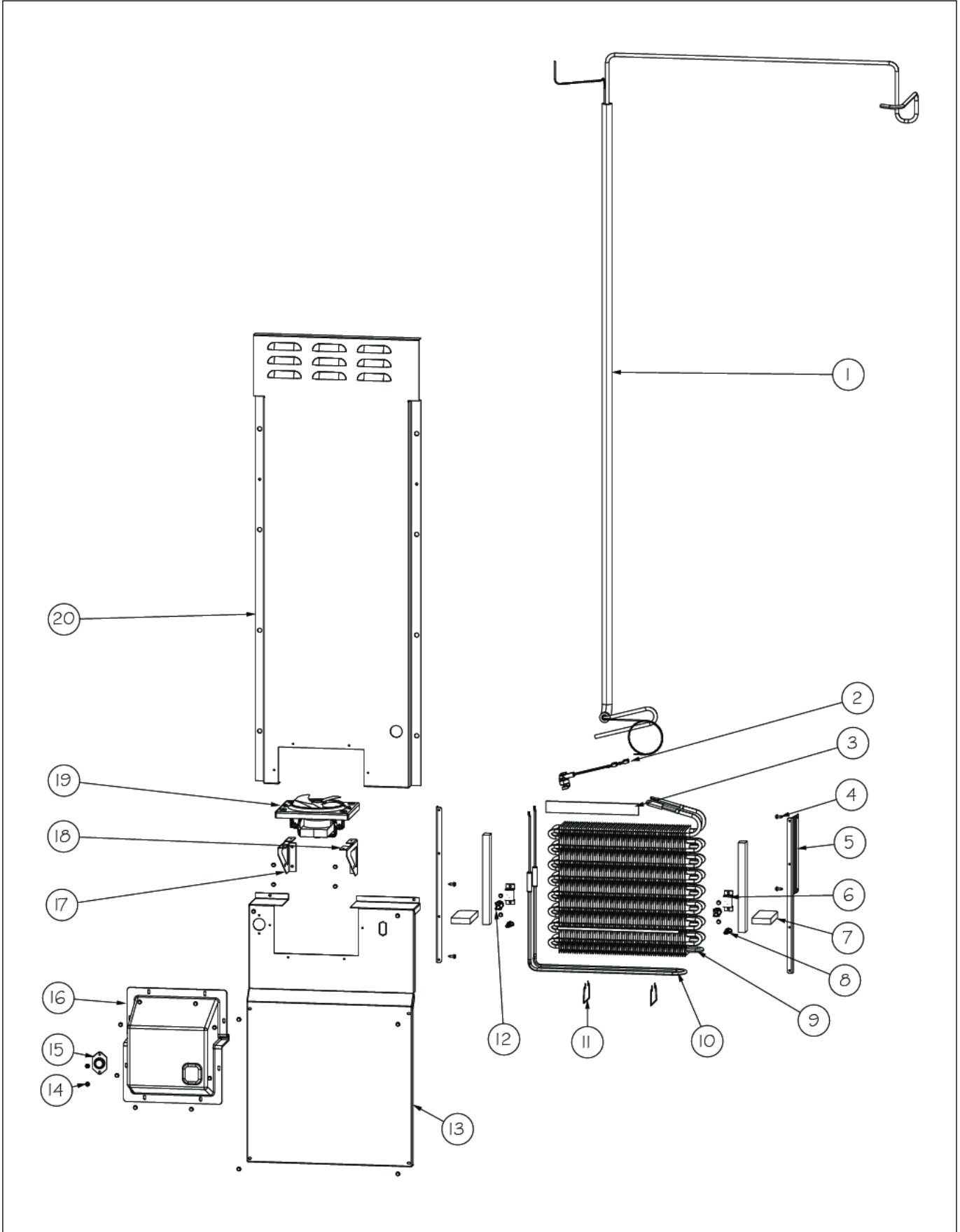
FREEZER INTERIOR ASSEMBLY





Item	Part No.	Name	Qty	Uom	NOTES
1	PD020194	SCR, HEX SRTD WSHR HD, #8-18 X 1/2	43	EA	
2	L2099475	BRACKET LIGHT SXS FZ	1	EA	
3	PE950125	LIGHT SOCKET	3	EA	
4	020117-000	COVER LIGHT ASM SXS 42 FZ	1	EA	
5	004528-000	LAMP, 40 WATT CLEAR LIGHT	3	EA	
6	PD020188	SCR 8-18 BT HXWS 1 1/2	2	EA	
7	PK930086	COVER FAN SXS 48 FZ	1	EA	
8	007302-000	BRACKET,FAN	1	EA	
9	004551-000	AXIAL FAN	1	EA	
<p>Comments for Part Num. 004551-000</p> <p>gboltz@VikingRange.com on Jul 21, 2016</p> <p>View service bulletin TR-0052-SP before ordering fan, if applicable order kit instead of fan</p>					
10	M0221913	SCREW-SM	4	EA	
11	PM910411	SHELF WIRE AF 36	3	EA	
12	M0238535	SCREW-SM	8	EA	
13	12231701	LADDER-FZ L/R SIDE 42/48	2	EA	
14	12258501	SUPPORT-SHELF	4	EA	
15	PK930079	SHELF COVER SXS 48 FZ	1	EA	
16	A3127415	EXT-FILL TUBE	1	EA	
17	12304301	CLOSEOUT-FZ SIDE #	1	EA	
18	PK930074	GLIDE SXS 48 FZ R	3	EA	
19	M0580007	GROMMET-SCREW	3	EA	
20	10270203	HOUSING-LIGHT V10270203	1	EA	
21	PK930346	COVER LIGHT	1	EA	
22	PM910190	BASKET ASM FZ	2	EA	
23	PK930075	GLIDE SXS 48 FZ L	3	EA	
24	PK930073	CLOSEOUT SIDE SXS 48 FZ L	1	EA	
25	PK930076	ICE PAN ASM SXS 48	1	EA	
26	043156-000	ICEMAKER ASSEMBLY	1	EA	
27	C2097183	SUPPORT IM ND SXS 48	1	EA	
28	M0211021	SCREW-SM	4	EA	

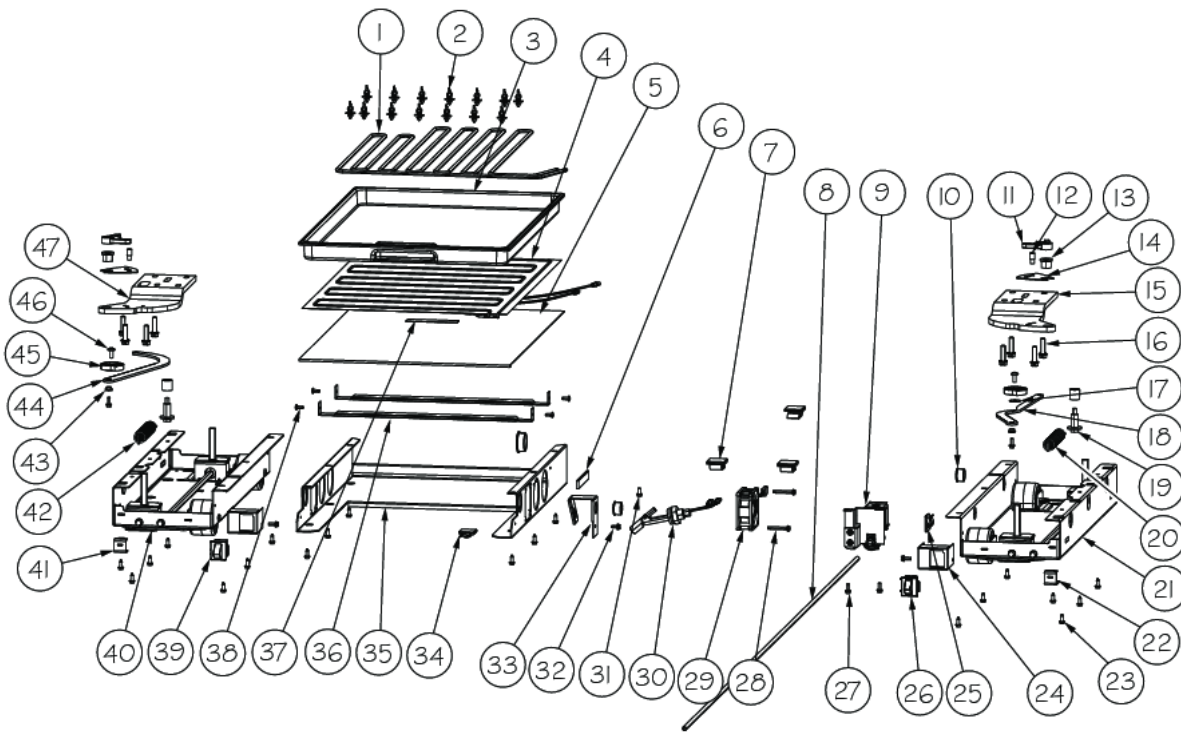
LOW SIDE ASSEMBLY



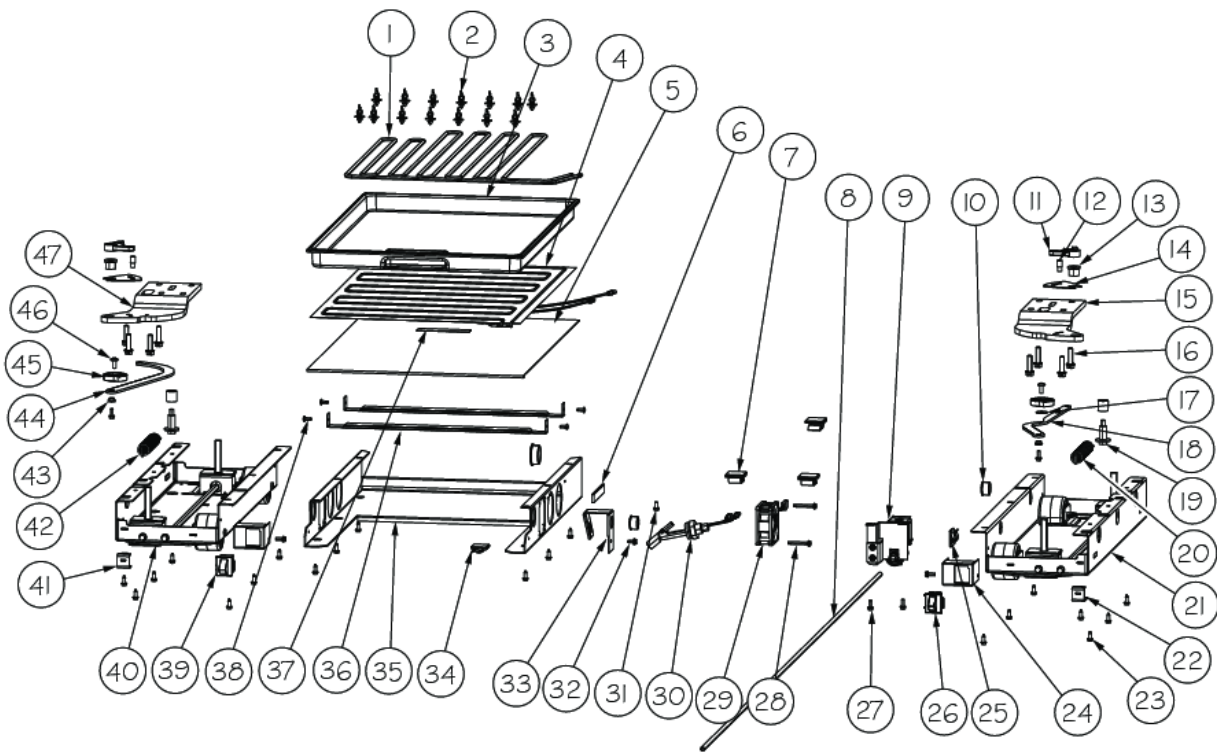


Item	Part No.	Name	Qty	Uom	NOTES
1	053308-000	HEAT EXCHANGER ASM SXS 42	1	EA	
2	058966-000	THERMOSTAT, SNAP ACTION, 55 OPEN 20 CLOSE	1	EA	
3	A3189370	GASKET-FOAM VA3189370	3	EA	
4	PD020194	SCR, HEX SRTD WSHR HD, #8-18 X 1/2	23	EA	
5	K2096461	BRKT-EVAP COVER 12234801	2	EA	
6	K2096456	BRKT-EVAP CLIP 12215101	2	EA	
7	10629001	BLOCK-R AIR COIL RED	2	EA	
8	10527401	CLIP-EVAP	2	EA	
9	PM910206	EVAPORATOR SXS 48	1	EA	
10	PJ910031	HEATER EVAP SXS	1	EA	
11	10428101	CLIP-EVAP HTR V10428101	2	EA	
12	10623003	CLIP-EVAP	1	EA	
13	L2097182	COVER EVAP LOWER SXS 48	1	EA	
14	M0211014	SCREW-SM	2	EA	Not available online / Call for pricing and availability
15	C8983701	THERMISTOR	1	EA	
16	PK930150	COVER CTR EVAP SXS	1	EA	
17	K2096458	BRKT-L-EVAP-FAN 12223102	1	EA	
18	K2096457	BRKT-R-EVAP FAN 12223101	1	EA	
19	G5098660	FAN EVAP ASM PANASONIC	1	EA	
20	L2097181	COVER EVAP UPPER SXS 48	1	EA	

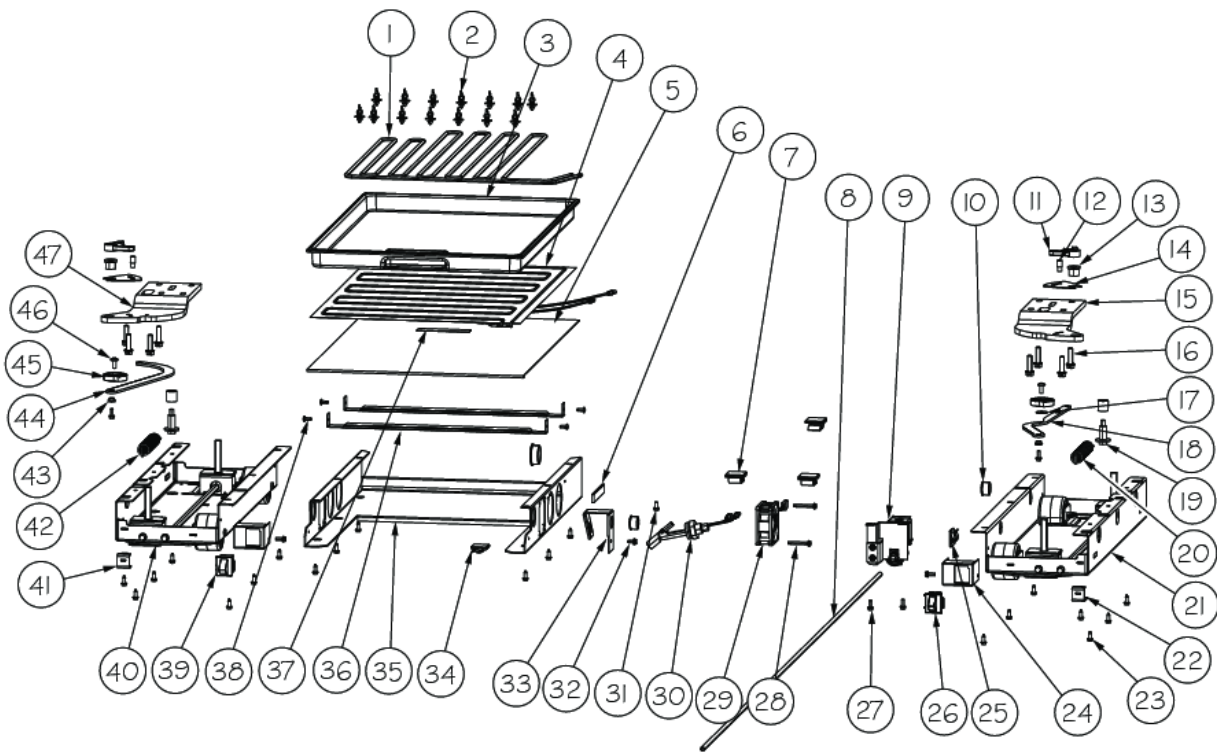
LOWER UNIT ASSEMBLY



Item	Part No.	Name	Qty	Uom	NOTES
1	F20915693	SERPENTINE CONDENSER DRAIN ALL SXS'S	1	EA	
2	PD030146	STAND OFF LOCK CLIP	14	EA	
3	PK930348	PAN DRAIN	1	EA	
4	G50911853	TRAY PAN HEATER	1	EA	
5	L20914124WH	TRAY PAN HEATER	1	EA	
6	PF930654	LABEL CONDENSATE FAN SERVICE	1	EA	
7	M0104102	CLIP-CORD RED	3	EA	
8	PB020304	PLASTIC TUBING-IM WATERLINE	1	EA	
9	G32913789	BRKT & VALVE H2O SNGL ASM	1	EA	
10	A4554806	BUSHING-SNAP VA4554806	2	EA	
11	PD940091	BUSHING - DOOR STOP	2	EA	
12	PC920145	PIN - DOOR STOP	2	EA	
13	PD940090	BUSHING - WC DOOR LEVEL	2	EA	
14	PC920144	PLATE - WC DOOR SHIM	2	EA	
15	PC020288	HINGE PLATE LR	1	EA	
16	000570-000	FASTENER, BOLT, 1/4-20 IHXWS 1" S ZN SER	8	EA	
17	PD940107	ROUND SPRING SPACER	2	EA	
18	PC920166	HINGE ASM COMPLETE RR	1	EA	
19	M0221523	SCREW - SHLDR	2	EA	
20	003867-000	SPRING EXTENSION	1	EA	
21	PM910398	LEVELER MODULE R	1	EA	
22	K2098044	BRKT GRILLE SUPPORT	1	EA	
23	PD020194	SCR, HEX SRTD WSHR HD, #8-18 X 1/2	20	EA	
24	014334-000	BRACKET,LT,SWITCH	2	EA	
25	M0104106	CLIP-CORD VM0104106	2	EA	
26	PE950147	SWITCH SPST NC BLACK	1	EA	



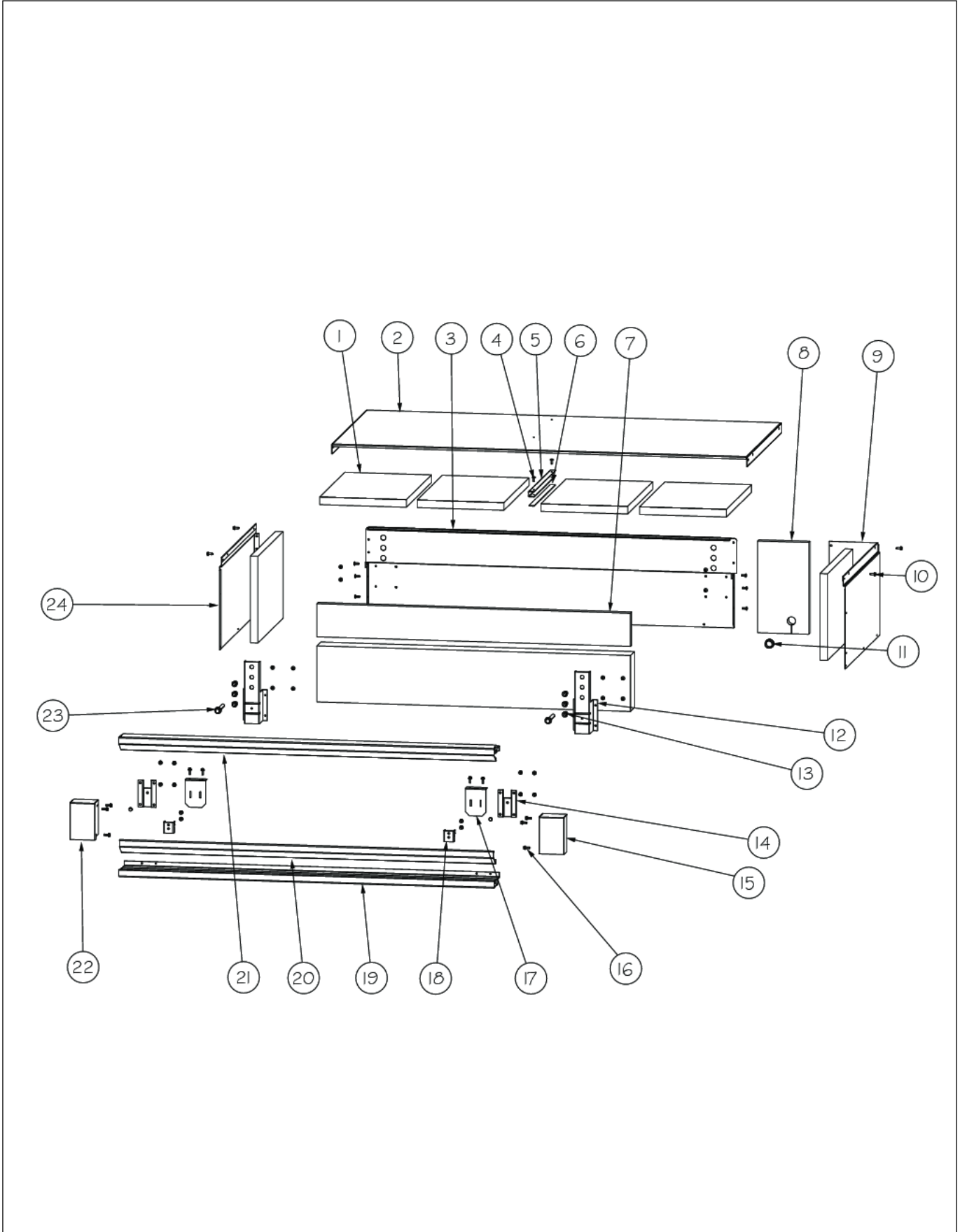
Item	Part No.	Name	Qty	Uom	NOTES
Comments for Part Num. PE950147 bradleysapplianceservice@shaw.ca on May 1, 2017 CAUTION WHEN ORDERING DOOR SWITCH. PARTS LISTINGS COULD BE INCORRECT. THERE IS TWO VERSIONS OF THIS DOOR SWITCH THAT NEEDS TO BE VISUALLY CHECKED ON UNIT TO DETERMINE CORRECT PART. PE950146 DOOR SWITCH 3 WIRE SPDT BLACK PE950147 DOOR SWITCH 2 WIRE SPST BLACK					
27	M0220417	SCREW-TC	8	EA	
28	PD020274	SCR SLTD HEX WSHR HD 8X1.250 BT	2	EA	
29	004551-000	AXIAL FAN	1	EA	
Comments for Part Num. 004551-000 gboltz@VikingRange.com on Jul 21, 2016 View service bulletin TR-0052-SP before ordering fan, if applicable order kit instead of fan					
30	PE050248	FLOAT SWITCH HORIZONTAL	1	EA	
31	PD020010	10 X 3/8 GREEN GROUNDING SCREW	1	EA	
32	M0253916	SCR 8-32 SHXW 3/8 TRI-LOBE	1	EA	
33	B20915627	BRACKET HORIZ FLOAT SWITCH	1	EA	
34	A4554817	BUSHING-SNAP VA4554817	1	EA	
35	K20915952	SHIELD BOTTOM DRAIN	1	EA	
36	K20911831	BRACKET CONDENSATE SUPPORT	2	EA	
37	PF031267	LABEL HEATER PAN	1	EA	
38	PC040010	POP RIVET (.063/GR -.125) GAMD42-A	4	EA	
39	PE950146	SPDT SWITCH	1	EA	
40	PM910399	LEVELER MODULE L	1	EA	
41	K2098096	BRKT GRILLE SUPPORT	1	EA	
42	PC910015	SPRING EXTENSION	1	EA	
43	PD940094	BUSHING	2	EA	
44	PC920149	BAR-WC BOT HINGE LH	1	EA	
45	044370-000	CAM DOOR ADJUSTMENT (SXS)	2	EA	





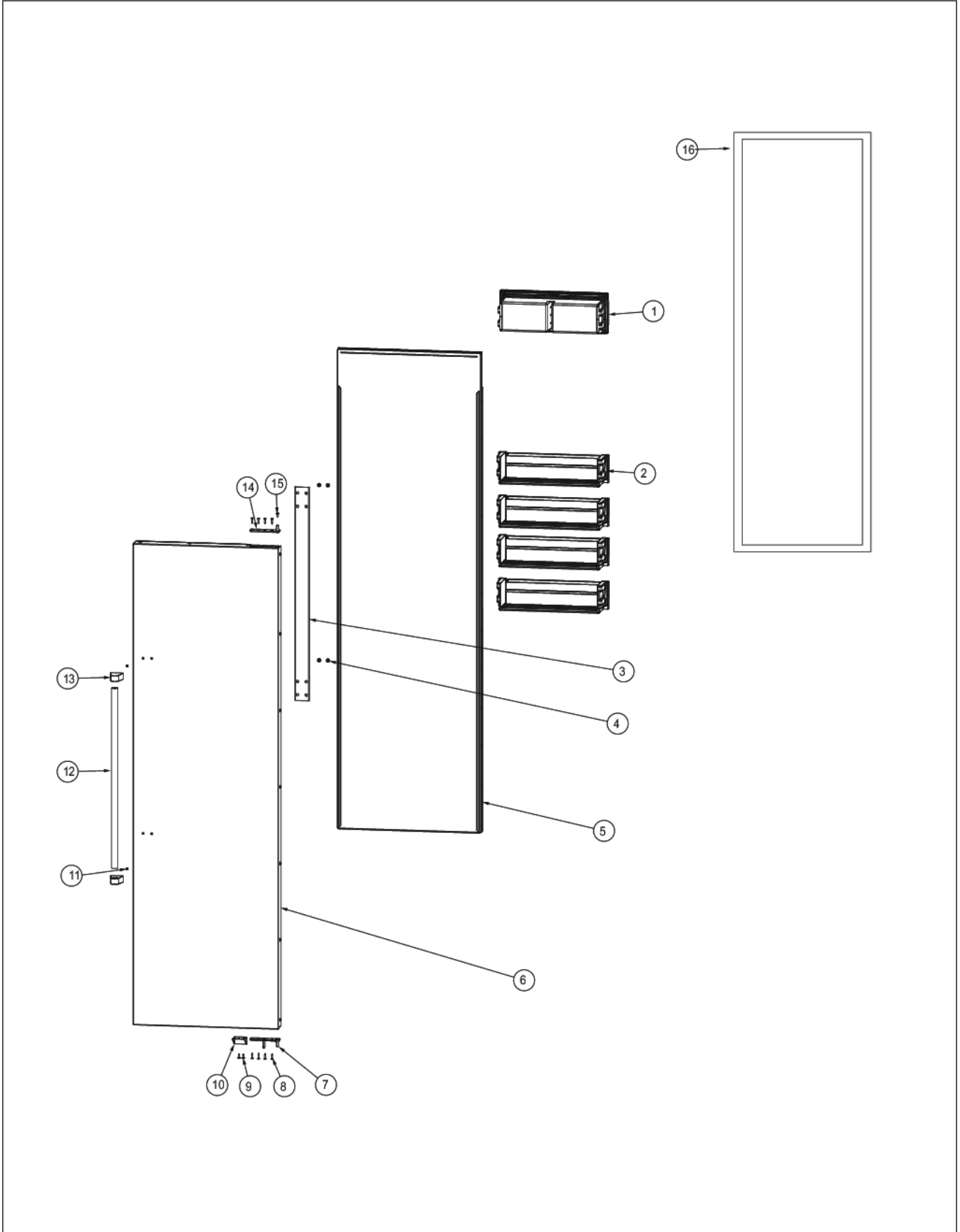
Item	Part No.	Name	Qty	Uom	NOTES
46	PD020234	SCREW THP 10-32 X .500 SS BO	2	EA	
47	PC020289	HINGE PLATE LL	1	EA	

MC COVER AND UPPER GRILLE ASSEM



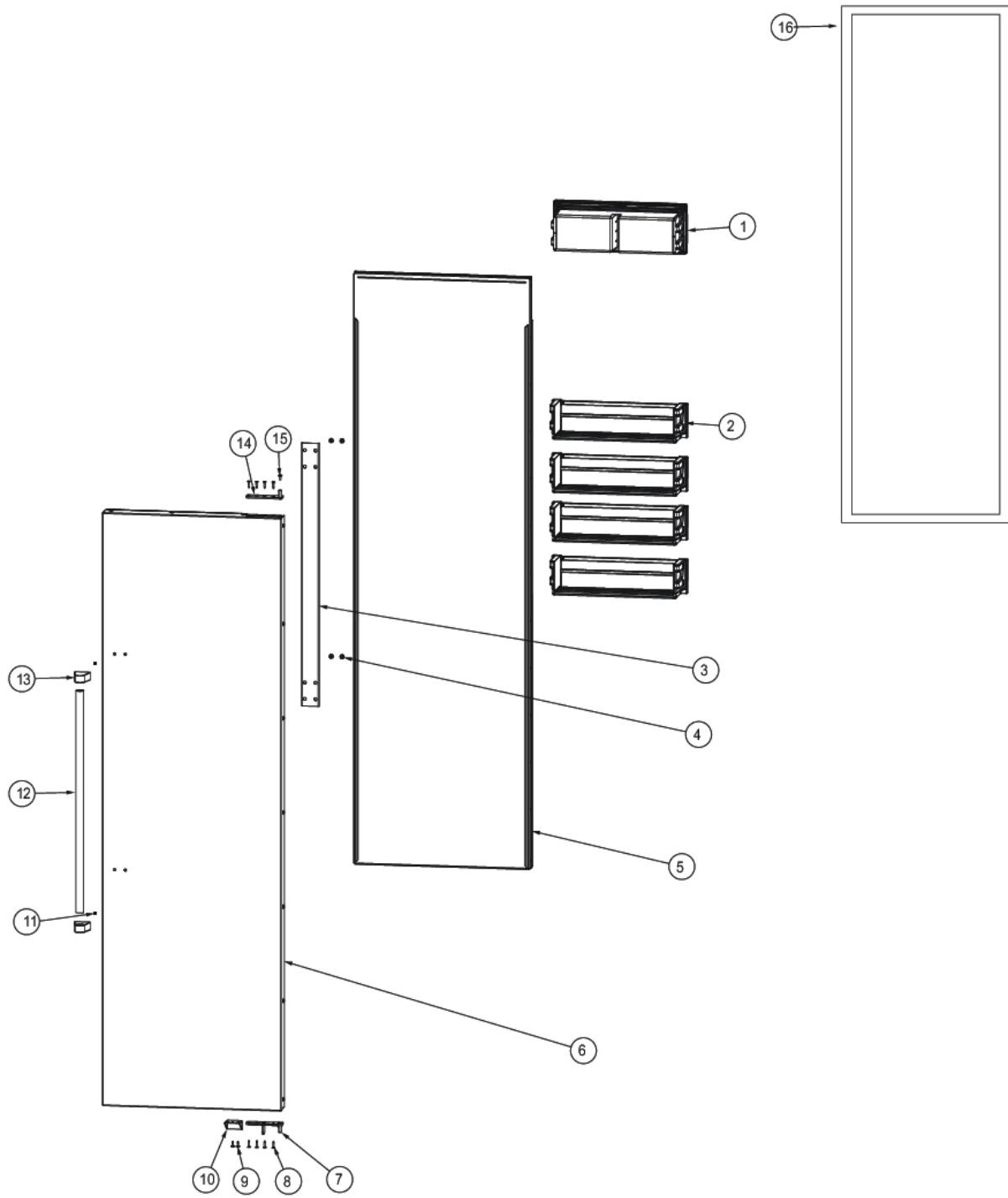
Item	Part No.	Name	Qty	Uom	NOTES
1	PB070355	INSULATION MC COVER	6	EA	
2	K20910007	MC TOP SXS 48	1	EA	
3	K20910008	MC BACK SXS 48	1	EA	
4	PC040010	POP RIVET (.063/GR -.125) GAMD42-A	19	EA	
5	K2099455	SUPPORT MC Z	1	EA	
6	007981-000	MC COVER ASM BI 48	1	EA	
7	PB070363	INSULATION MC COVER	2	EA	Not available online / Call for pricing and availability
8	PB970171	MC INSULATION - BACK SIDE	1	EA	Not available online / Call for pricing and availability
9	K2099459	MC SIDE (RIGHT)	1	EA	
10	PD020194	SCR, HEX SRTD WSHR HD, #8- 18 X 1/2	40	EA	
11	A4554806	BUSHING-SNAP VA4554806	1	EA	
12	K20915675	BRACKET PSM	2	EA	
13	PD040157	BEARING SLEEVE	4	EA	
14	PK050004	BRACKET GRILLE 5 SERIES	2	EA	
15	B20916337	ENDCAP GRILLE PROI R	1	EA	
16	M0220417	SCREW-TC	14	EA	
17	K20916342	BRACKET GRILLE	2	EA	
18	B2096961	BRACKET-LOUVER	2	EA	
19	B20916323	LOUVER GRILLE BOT SXS 48 PROI	1	EA	Not available online / Call for pricing and availability
20	B20916322	LOUVER GRILLE MID SXS 48 PROI	1	EA	
21	B20916321	LOUVER GRILLE TOP SXS 48 PROI	1	EA	Not available online / Call for pricing and availability
22	B20916338	ENDCAP GRILLE PROI L	1	EA	
23	PD020233	SCR LAG 5/16-9 GX 5/16X7/16 WAF IHXW 3 S ZN	1	EA	
24	K2099460	MC SIDE L	1	EA	
NI	G32916307	GRILLE ASM SXS 48 PROI	1	EA	

REFRIG DOOR ASSEMBLY



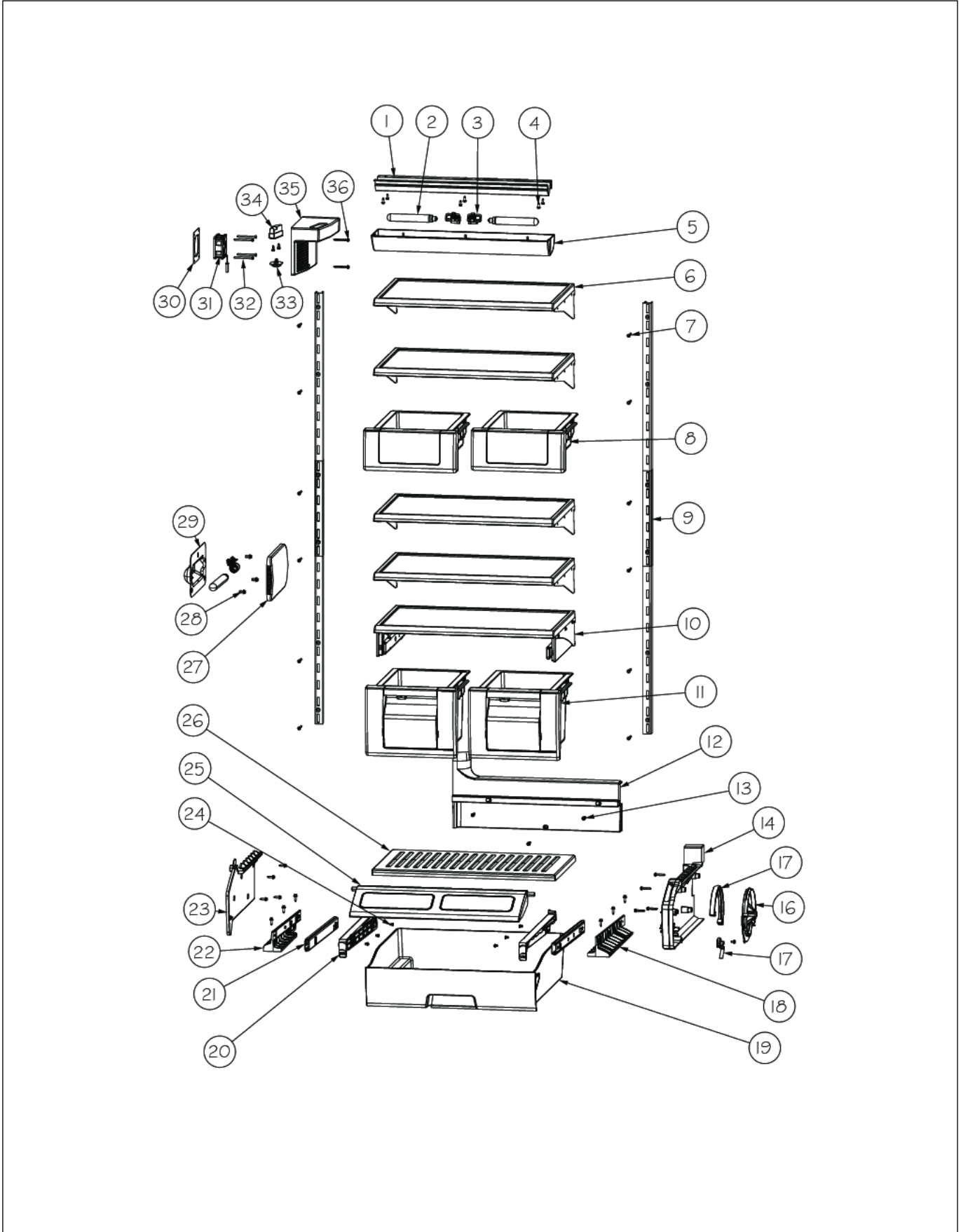


Item	Part No.	Name	Qty	Uom	NOTES
1	V12203602	DAIRY MODULE ASSY #	1	EA	
2	036886-000	DOORBIN ASM SXS 48 FF	4	EA	
3	013327-000	BRACKET,HDL,DES	1	EA	
4	M0204303	SCREW-MACH	4	EA	
5	007047-000	DOOR FOAM ASM SXS 48 FF	1	EA	
6	010624-000	SKIN,DOOR,SXS 48 FF PROI SS	1	EA	
NI	009585-002	SKIN, DOOR, SXS 48 FF PROI- BK	1	EA	
NI	009585-003	SKIN, DOOR, SXS 48 PROI FF BT	1	EA	
NI	009585-004	SKIN, DOOR, SXS 48 PROI FF SG	1	EA	
NI	009585-005	SKIN, DOOR, SXS 48 PROI FF GG	1	EA	
NI	009585-006	SKIN, DOOR, SXS 48 PROI FF WH	1	EA	
NI	009585-008	SKIN, DOOR, SXS 48 PROI FF BU	1	EA	
NI	009585-009	SKIN, DOOR, SXS 48 PROI FF LE	1	EA	
NI	009585-010	SKIN, DOOR, SXS 48 PROI FF MJ	1	EA	
NI	009585-012	SKIN, DOOR, SXS 48 PROI FF VB	1	EA	
NI	009585-013	SKIN, DOOR, SXS 48 PROI FF CB	1	EA	
NI	009585-015	SKIN, DOOR, SXS 48 PROI FF PL	1	EA	
NI	009585-016	SKIN, DOOR, SXS 48 PROI FF CH	1	EA	
NI	009585-017	SKIN, DOOR, SXS 48 PROI FF TP	1	EA	
NI	009585-018	SKIN, DOOR, SXS 48 PROI FF CW NLA	1	EA	
NI	009585-019	SKIN, DOOR, SXS 48 PROI FF OG	1	EA	
NI	009585-020	SKIN, DOOR, SXS 48 PROI FF GM	1	EA	
NI	009585-021	SKIN, DOOR, SXS 48 PROI FF SA	1	EA	



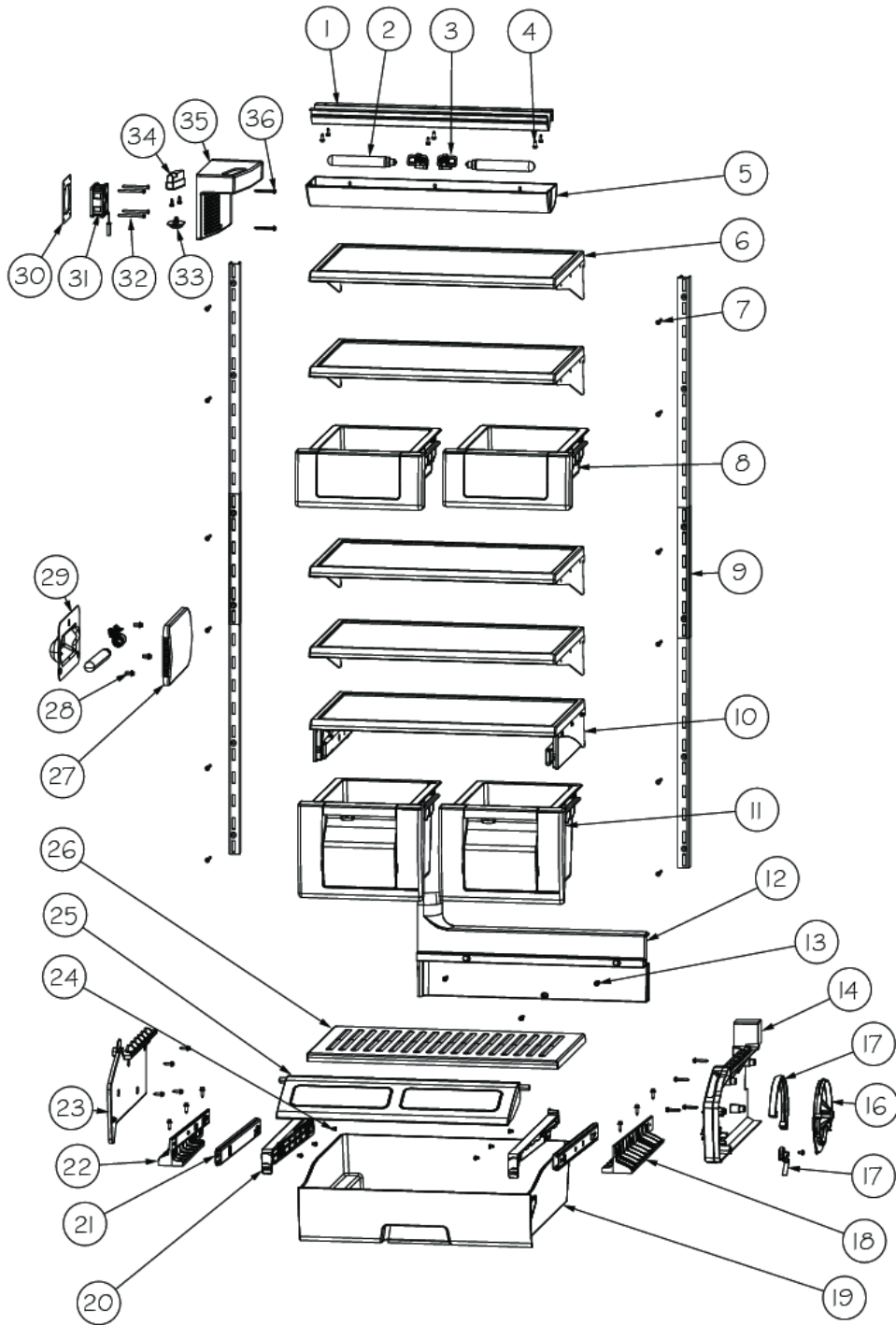
Item	Part No.	Name	Qty	Uom	NOTES
NI	009585-022	SKIN, DOOR, SXS 48 PROI FF SE	1	EA	
NI	009585-023	SKIN, DOOR, SXS 48 PROI FF IB	1	EA	
NI	009585-024	SKIN, DOOR, SXS 48 PROI FF AR	1	EA	
NI	009585-025	SKIN, DOOR, SXS 48 PROI FF RR	1	EA	
NI	009585-026	SKIN, DOOR, SXS 48 PROI FF PM	1	EA	
NI	009585-027	SKIN, DOOR, SXS 48 PROI FF MS	1	EA	
7	016182-000	PIVOT PL ASM LH LW PRO/DES	1	EA	
8	PD920174	10-32 TORX HEAD SCREW	5	EA	
9	M0210458	SCREW-SM	1	EA	
10	PD050019	STRIKER DOOR SWITCH	1	EA	
11	N/A	SET SCREW (WITH ITEM 13)	2	EA	
12	012891-000	HANDLE,PRO	1	EA	
13	000268-000	HANDLE ENDCAP	2	EA	
NI	000268-100	HANDLE END CAP ASSY - BR	2	EA	
14	PC020278	PIVOT PL ASM RH UP PRO/DES	1	EA	
15	PD020234	SCREW THP 10-32 X .500 SS BO	1	EA	
16	005454-000	GASKET,ASM,48,SXS,FF VID# 602711907-17	1	EA	

REFRIG INTERIOR ASSEMBLY





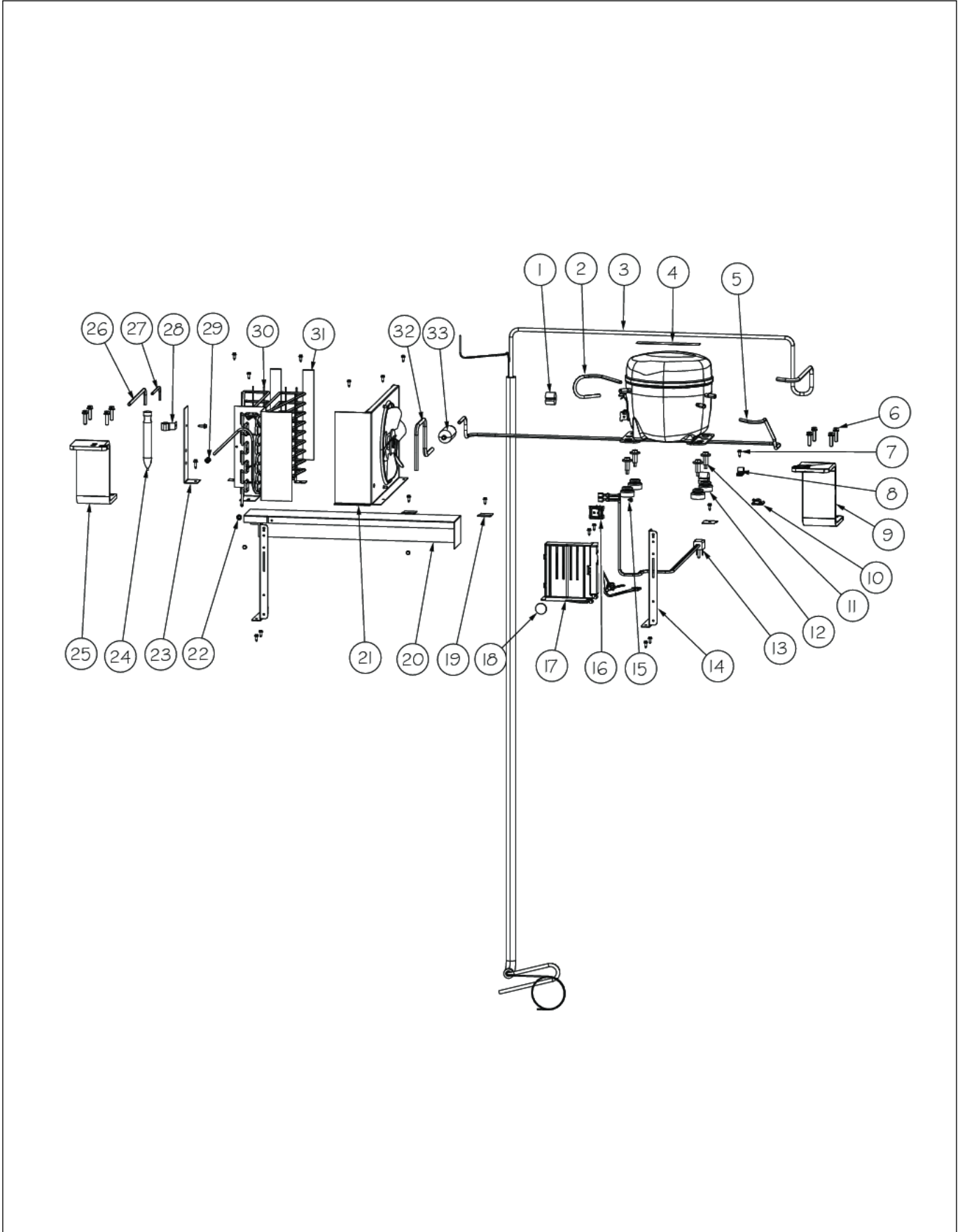
Item	Part No.	Name	Qty	Uom	NOTES
1	L2099492	BRACKET LIGHT SXS 48 FF	1	EA	
2	004528-000	LAMP, 40 WATT CLEAR LIGHT	3	EA	
3	PE950125	LIGHT SOCKET	3	EA	
4	PD020194	SCR, HEX SRTD WSHR HD, #8-18 X 1/2	24	EA	
5	020114-000	COVER LIGHT ASM AF/AR 30 SXS 48 FF	1	EA	
6	043624-000	SHELF ASM GLASS 30 AR 48 FF	4	EA	
7	M0238535	SCREW-SM	12	EA	
8	G32911938	DRAWER DELI ASM SXS 48 AR 30	2	EA	
9	PM910227	LADDER RS REF	2	EA	
10	G50911937	SHELF ASM	1	EA	
11	012259-000	DRAWER PRODUCE ASM AR 30/48	2	EA	
12	PK930327	DUCT MEATSAVOR SXS 48 REAR	1	EA	
13	M0211021	SCREW-SM	3	EA	
14	044232-000	DUCT MEAT SAVOR (R)	1	EA	
15	PK930172	COVER CONTROL MEAT SAVOR	1	EA	
16	044384-000	DIAL CONTROL MEAT SAVOR	1	EA	
17	PM910334	ROLLER TENSION	1	EA	
18	PK930173	SUPPORT SLIDE MEAT SAVOR SXS 42/48 R	1	EA	
19	PK930309	DRAWER MEAT SAVOR AR 30 SXS 48	1	EA	
20	PK930176	SUPPORT DRAWER MEAT SAVOR 42/48 L	1	EA	
21	PM910288	SLIDE MEAT SAVOR L	1	EA	
Comments for Part Num. PM910288					
profixappliances@gmail.com on May 3, 2017					
ITEM # 5 SHOULD BE PK930288-DOOR MEATSAVOR ASM AR/BM 36					
22	PK930174	SUPPORT SLIDE MEAT SAVOR SXS 42/48 L	1	EA	
23	PK930170	DUCT MEAT SAVOR SXS 42 L	1	EA	





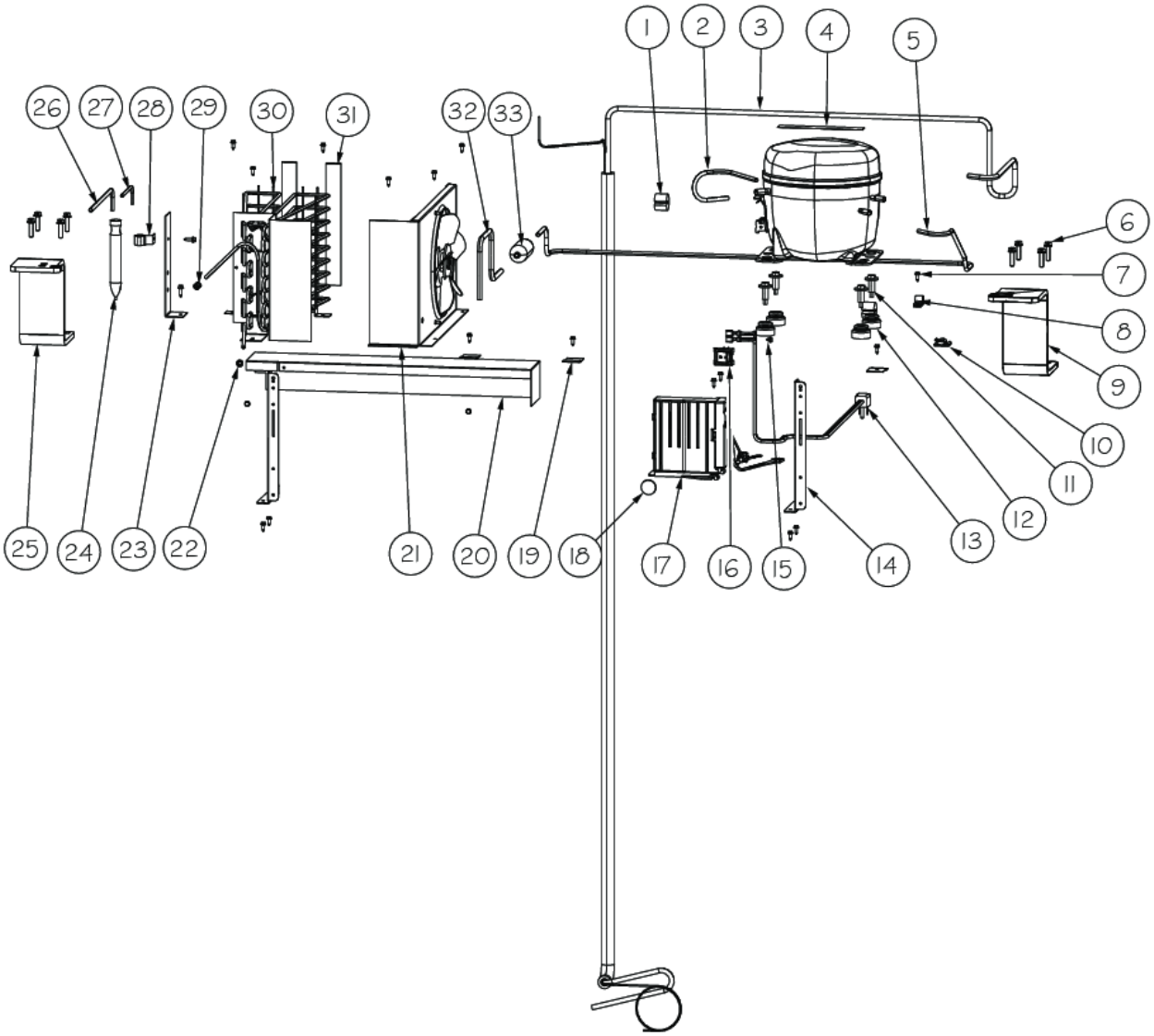
Item	Part No.	Name	Qty	Uom	NOTES
24	PD920162	SCR 8-16 PLASTITE PNP 1/4 S	2	EA	
25	045692-000	DOOR MEATSAVOR ASM AR 30 SXS 48	1	EA	
26	PK930308	SHELF MEAT SAVOR AR 30 SXS 48	1	EA	
27	PK930346	COVER LIGHT	1	EA	
28	M0580007	GROMMET-SCREW	3	EA	
29	10270203	HOUSING-LIGHT V10270203	1	EA	
30	007302-000	BRACKET,FAN	1	EA	
31	004551-000	AXIAL FAN	1	EA	
<p>Comments for Part Num. 004551-000</p> <p>gboltz@VikingRange.com on Jul 21, 2016</p> <p>View service bulletin TR-0052-SP before ordering fan, if applicable order kit instead of fan</p>					
32	M0221913	SCREW-SM	4	EA	
33	C8983701	THERMISTOR	1	EA	
34	010093-000	PLASMA CLUSTER	1	EA	
35	012312-000	FAN COVER SXS	1	EA	
36	PD020188	SCR 8-18 BT HXWS 1 1/2	2	EA	

SEALED SYSTEM ASSEMBLY





Item	Part No.	Name	Qty	Uom	NOTES
1	10699601	DAMPER-TUBING .8	2	EA	
2	F2096507	TUBE-PROCESS GRN	1	EA	
3	053308-000	HEAT EXCHANGER ASM SXS 42	1	EA	
4	C8982701	LABEL-COMP WARN	1	EA	
5	F2099443	TUBE DISCHARGE FORMED PRE ACCUM	1	EA	
6	000570-000	FASTENER, BOLT, 1/4-20 IHXWS 1" S ZN SER	8	EA	
7	PD020195	SCR 8-18 X 5/8	20	EA	
8	PD030118	INSULATED CLAMP	1	EA	
9	PC920203	HINGE ASM UR	1	EA	
10	M0104106	CLIP-CORD VM0104106	1	EA	
11	M0221523	SCREW - SHLDR	4	EA	
12	10835901	GROMMET RUBBER V10835901	4	EA	
13	10916507	CORD-POWER 5 SERIES	1	EA	
14	K20912569	BRACKET GRILLE SUPPORT	2	EA	
15	M0211014	SCREW-SM	1	EA	Not available online / Call for pricing and availability
16	PE950149	SWITCH POWER	1	EA	
17	011666-000	INVERTER,CMPR,ASM	1	EA	
Comments for Part Num. 011666-000					
gboltz@VikingRange.com on Aug 9, 2018					
See 2018-01P Parts Bulletin					
18	PF930682	LABEL WARNING INVERTER	1	EA	
19	K2096943	PANEL BRACKET	3	EA	
20	K20912585	DIVERTER AIR HI SIDE SXS	1	EA	Not available online / Call for pricing and availability
21	G5096494	COND. FAN ASSY	1	EA	
22	007408-000	RING,LOK, .250 DIA	1	EA	
23	K2099454	BRACKET DRIER	1	EA	
24	PM010616	DRIER - HIGH SIDE	1	EA	





Item	Part No.	Name	Qty	Uom	NOTES
25	PC920193	HINGE ASSEM UPPER RH	1	EA	
26	F2097740	TUBE PROCESS	1	EA	
27	F2096504	TUBE-DRIER EXT	1	EA	
28	10547001	CLIP-DRIER V10547001	1	EA	
29	007407-000	RING,LOK, .187 DIA	1	EA	
30	PB920171	CONDENSER ASM	1	EA	
31	A3189370	GASKET-FOAM VA3189370	2	EA	
32	F2099444	TUBE DISCHARGE FORMED POST ACCUM	1	EA	
33	PB920201	ACCUMULATOR	1	EA	



Appendix A:Pages Index

CONTROL ASSEMBLY 1
EXTERIOR ASSEMBLY 2
FREEZER DOOR ASSEMBLY 3
FREEZER INTERIOR ASSEMBLY 4
LOW SIDE ASSEMBLY 5
LOWER UNIT ASSEMBLY 6
MC COVER AND UPPER GRILLE ASSEM 7
REFRIG DOOR ASSEMBLY 8
REFRIG INTERIOR ASSEMBLY 9
SEALED SYSTEM ASSEMBLY 10



Appendix B:Parts Index

000268-000	8	009605-003	3
000268-100	8	009605-004	3
000570-000	6, 10	009605-005	3
003867-000	6	009605-006	3
004528-000	4, 9	009605-008	3
004551-000	4, 6, 9	009605-009	3
005319-000	1	009605-010	3
005396-000	1	009605-012	3
005454-000	8	009605-013	3
005455-000	3	009605-015	3
007047-000	8	009605-016	3
007050-000	3	009605-017	3
007302-000	4, 9	009605-018	3
007407-000	10	009605-019	3
007408-000	10	009605-020	3
007981-000	7	009605-021	3
009585-002	8	009605-022	3
009585-003	8	009605-023	3
009585-004	8	009605-024	3
009585-005	8	009605-025	3
009585-006	8	009605-026	3
009585-008	8	009605-027	3
009585-009	8	010093-000	9
009585-010	8	010489-000	1
009585-012	8	010624-000	8
009585-013	8	010628-000	3, 3
009585-015	8	011666-000	10
009585-016	8	012259-000	9
009585-017	8	012312-000	9
009585-018	8	012891-000	8
009585-019	8	012984-000	3
009585-020	8	012984-100	3
009585-021	8	013327-000	3, 8
009585-022	8	014237-000	3
009585-023	8	014334-000	6
009585-024	8	015365-000	1
009585-025	8	015552-000	2
009585-026	8	015553-000	2
009585-027	8	016182-000	3, 8
009605-002	3	016593-000	1
		020114-000	9



020117-000	4	F20915693	6
036886-000	8	F2096504	10
036888-000	3	F2096507	10
043156-000	4	F2097740	10
043624-000	9	F2099443	10
044232-000	9	F2099444	10
044370-000	6	G32911938	9
044384-000	9	G32913789	6
045013-000	2	G32916307	7
045692-000	9	G50911853	6
053308-000	5, 10	G50911937	9
058966-000	5	G5096494	10
10270203	4, 9	G5098660	5
10428101	5	K20910007	7
10527401	5	K20910008	7
10547001	10	K20910060	1
10623003	5	K20910061	1
10629001	5	K20911831	6
10699601	10	K20912569	10
10835901	10	K20912585	10
10916507	10	K20915000	1
12064001	1	K20915675	7
12231701	4	K20915952	6
12258501	4	K20916342	7
12304301	4	K2096456	5
40370P01	2	K2096457	5
A3030361	1	K2096458	5
A3127415	4	K2096461	5
A3189370	5, 10	K2096943	10
A4554806	6, 7	K2098044	6
A4554817	1, 6	K2098096	6
B20915627	6	K2098654	1
B20916321	7	K2099402	1
B20916322	7	K2099454	10
B20916323	7	K2099455	7
B20916337	7	K2099459	7
B20916338	7	K2099460	7
B2096961	7	L20914124WH	6
C2097183	4	L2097181	5
C8982701	10	L2097182	5
C8983701	5, 9	L2099475	4



L2099492	9	PD020188	4, 9
M0104102	6	PD020194	1, 4, 5, 6, 7, 9
M0104106	1, 6, 10	PD020195	10
M0204303	3, 8	PD020233	7
M0210443	2	PD020234	3, 6, 8
M0210458	3, 8	PD020274	6
M0211014	5, 10	PD030118	10
M0211021	4, 9	PD030146	6
M0215318	2	PD040157	7
M0220417	6, 7	PD050019	3, 8
M0221523	6, 10	PD920162	9
M0221913	4, 9	PD920174	3, 8
M0224128	1	PD940090	6
M0238535	4, 9	PD940091	6
M0238846	1	PD940094	6
M0253916	6	PD940107	6
M0288120	1	PE010030	3
M0580007	4, 9	PE010031	3
M0585504	1	PE010068	3
M0585506	1	PE010076	3
PB020304	6	PE050248	6
PB070355	7	PE070728	1
PB070363	7	PE950125	4, 9
PB920171	10	PE950146	6
PB920201	10	PE950147	6
PB970171	7	PE950149	10
PC020278	8	PE970464	1
PC020279	3	PE970609	1
PC020288	6	PF031267	6
PC020289	6	PF930654	6
PC040010	1, 1, 6, 7	PF930672	1
PC910015	6	PF930682	10
PC920144	6	PJ910031	5
PC920145	6	PK050004	7
PC920149	6	PK920066	2
PC920166	6	PK930073	4
PC920193	10	PK930074	4
PC920203	10	PK930075	4
PD020010	6	PK930076	4
PD020013	1	PK930079	4
PD020043	3	PK930086	4



PK930150	5
PK930170	9
PK930172	9
PK930173	9
PK930174	9
PK930176	9
PK930308	9
PK930309	9
PK930327	9
PK930346	4, 9
PK930348	6
PM010616	10
PM910190	4
PM910206	5
PM910227	9
PM910288	9
PM910334	9
PM910398	6
PM910399	6
PM910411	4
V12203602	8