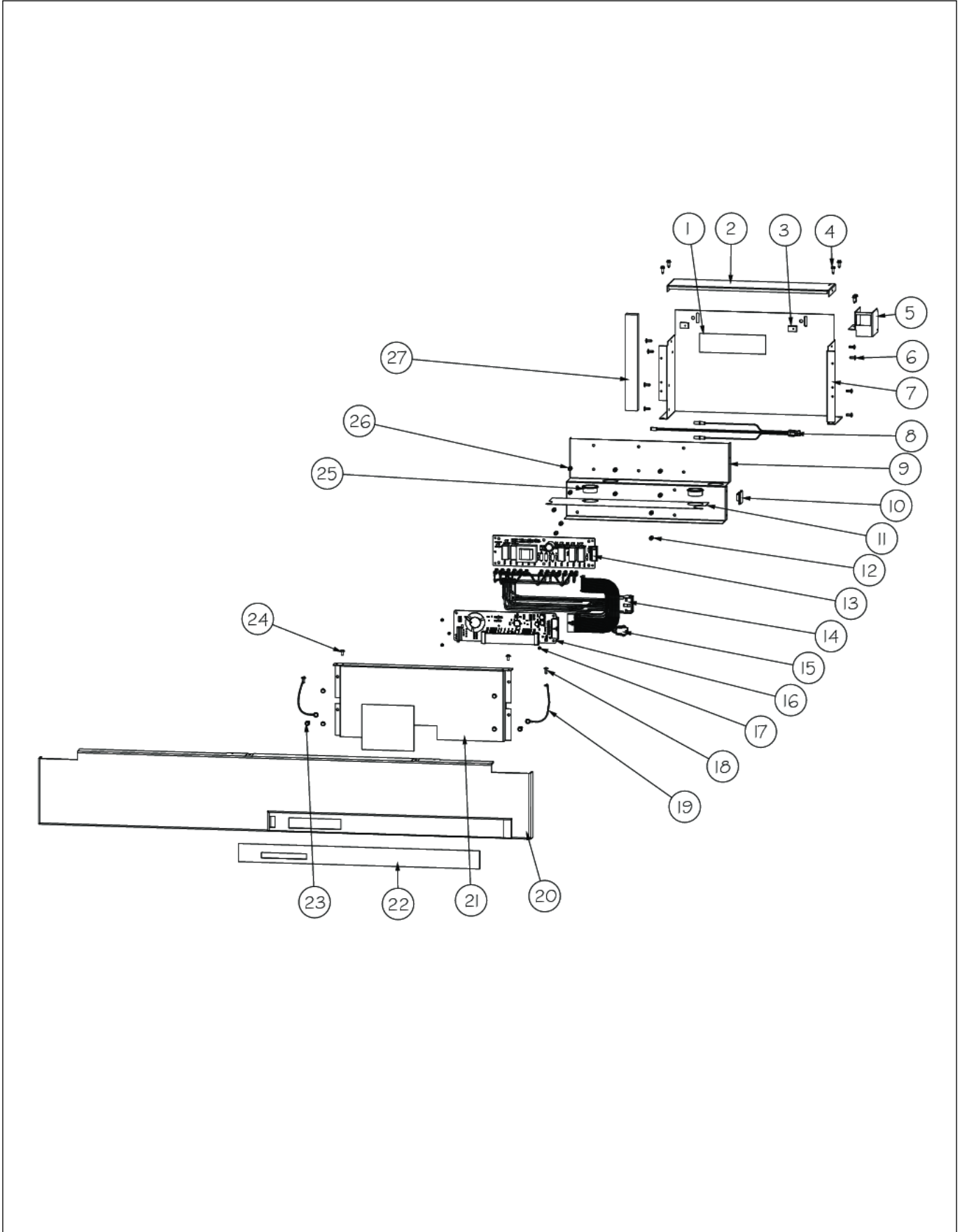


VISB542D

CONTROL ASSEMBLY	1
EXTERIOR ASSEMBLY	2
FREEZER DOOR ASSEMBLY	3
FREEZER INTERIOR ASSEMBLY	4
LOW SIDE ASSEMBLY	5
LOWER UNIT ASSEMBLY	6
MC COVER AND UPPER GRILLE ASSEM	7
REFRIG DOOR ASSEMBLY	8
REFRIG INTERIOR ASSEMBLY	9
SEALED SYSTEM ASSEMBLY	10
WIRING	11
Appendix A:Pages Index	A
Appendix B:Parts Index	B

CONTROL ASSEMBLY



Item	Part No.	Name	Qty	Uom	NOTES
1	PF930672	LABEL DC COMPRESSOR	2	EA	
2	K20915000	CONTROL BOX TOP	1	EA	
3	M0288120	NUT-SPEED VM0288120	2	EA	
4	PD020194	SCR, HEX SRTD WSHR HD, #8-18 X 1/2	10	EA	
5	K2098654	Bracket, Power Switch	1	EA	
6	PC040010	POP RIVET (.063/GR -.125) GAMD42-A	8	EA	
7	K2099402	CONTROL BOX	1	EA	
8	PE970609	HARNESS CONTROL BOARD 5 SERIES	1	EA	
9	K20910060	BRACKET - PC	1	EA	
10	M0104106	CLIP-CORD VM0104106	1	EA	
11	005396-000	FILM,PROTECTIVE	1	EA	
12	M0585506	SUPPORT	5	EA	
13	005319-000	POWER CONTROL BOARD ASM 5 SERIES	1	EA	

Comments for Part Num. 005319-000

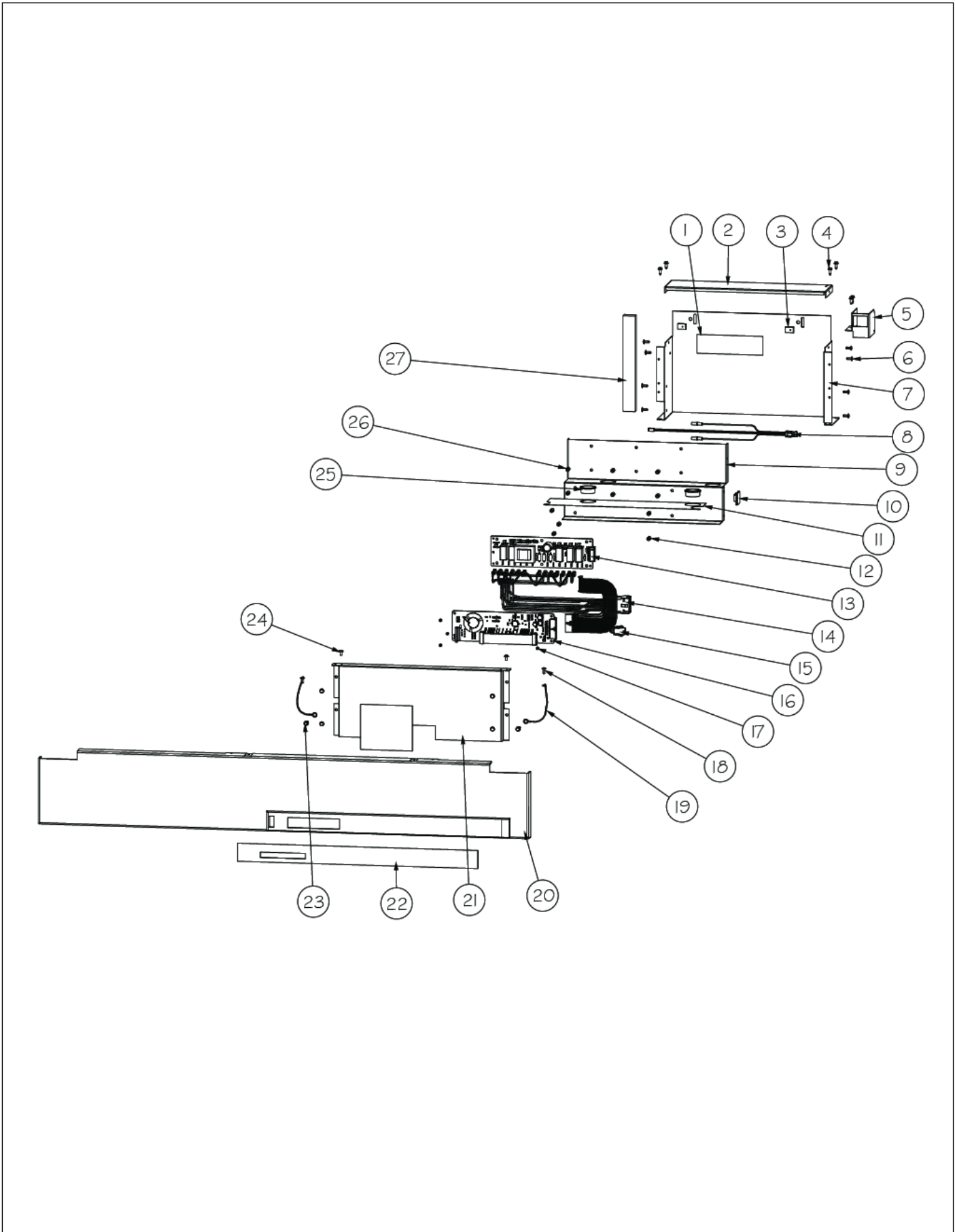
boltz on Apr 12, 2018
See TR-0056-SP Bulletin

14	015365-000	HARNESS HIGH VOLT	1	EA	
15	PE970464	HARNESS LOW VOLT 5 SERIES	1	EA	
16	PE070728	BOARD LOW VOLTAGE	1	EA	

Comments for Part Num. PE070728

bradleysapplianceservice@shaw.ca on Apr 27, 2016
COULD ALSO USE: 002670-000 LOW VOLTAGE BOARD KIT ANALOG - INCLUDES WIRE HARNESS

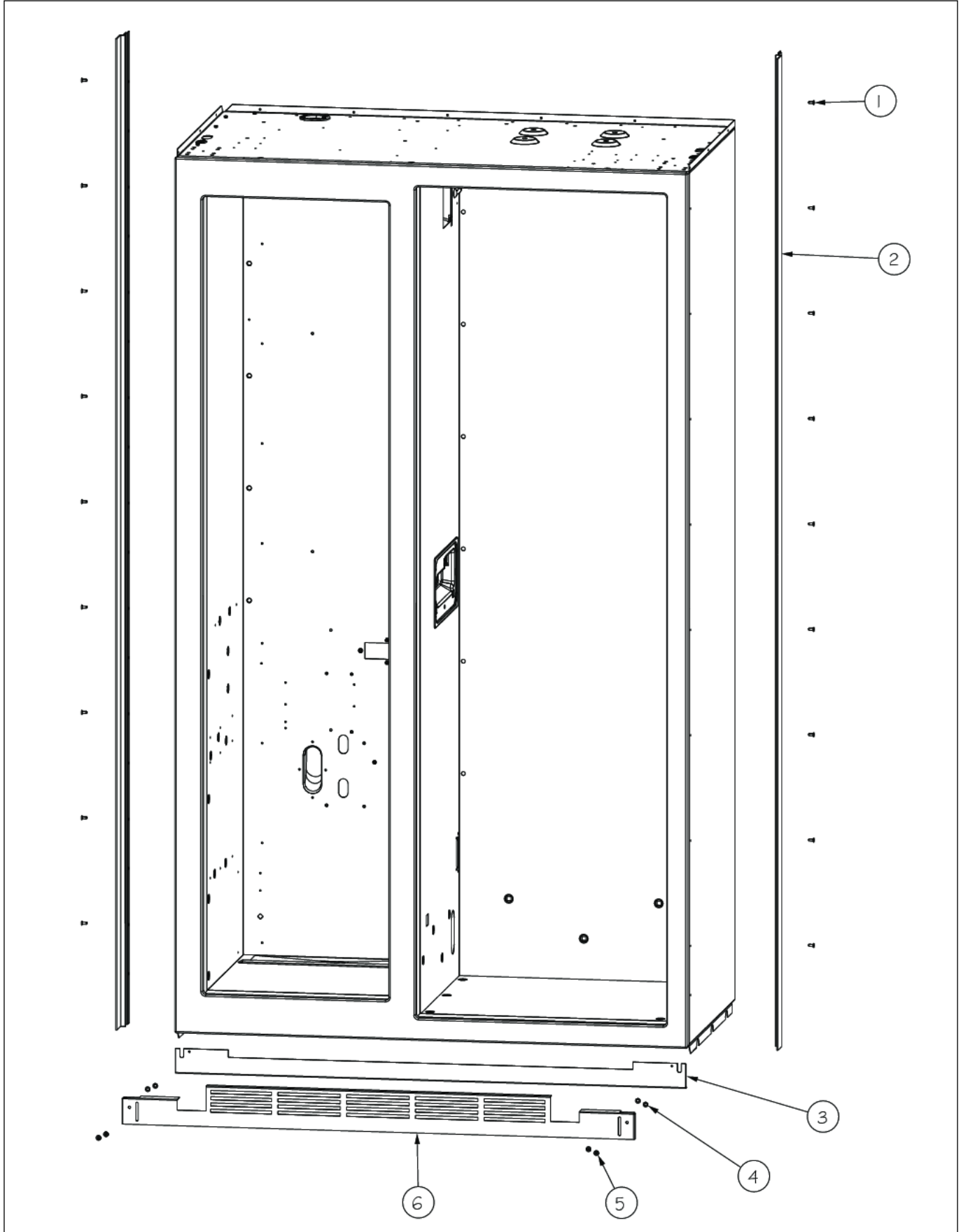
17	PD020013	TYPE "AB" #6 X 3/8 PH PAN HD. SMS	5	EA	
18	PC040010	POP RIVET (.063/GR -.125) GAMD42-A	1	EA	
19	12064001	SUPP-CONT PANEL	2	EA	
20	PK930230	Control Panel	1	EA	
21	K20910061	CONTROL BOX FRONT	1	EA	
22	010488-000	OVERLAY SWITCH SXS 42 DISP	1	EA	





Item	Part No.	Name	Qty	Uom	NOTES
23	M0238846	SCREW-SHLDR	2	EA	
24	M0224128	SCREW-SM	2	EA	
25	A4554817	BUSHING-SNAP VA4554817	2	EA	
26	M0585504	SUPPORT	6	EA	
27	A3030361	GASKET RED	1	EA	

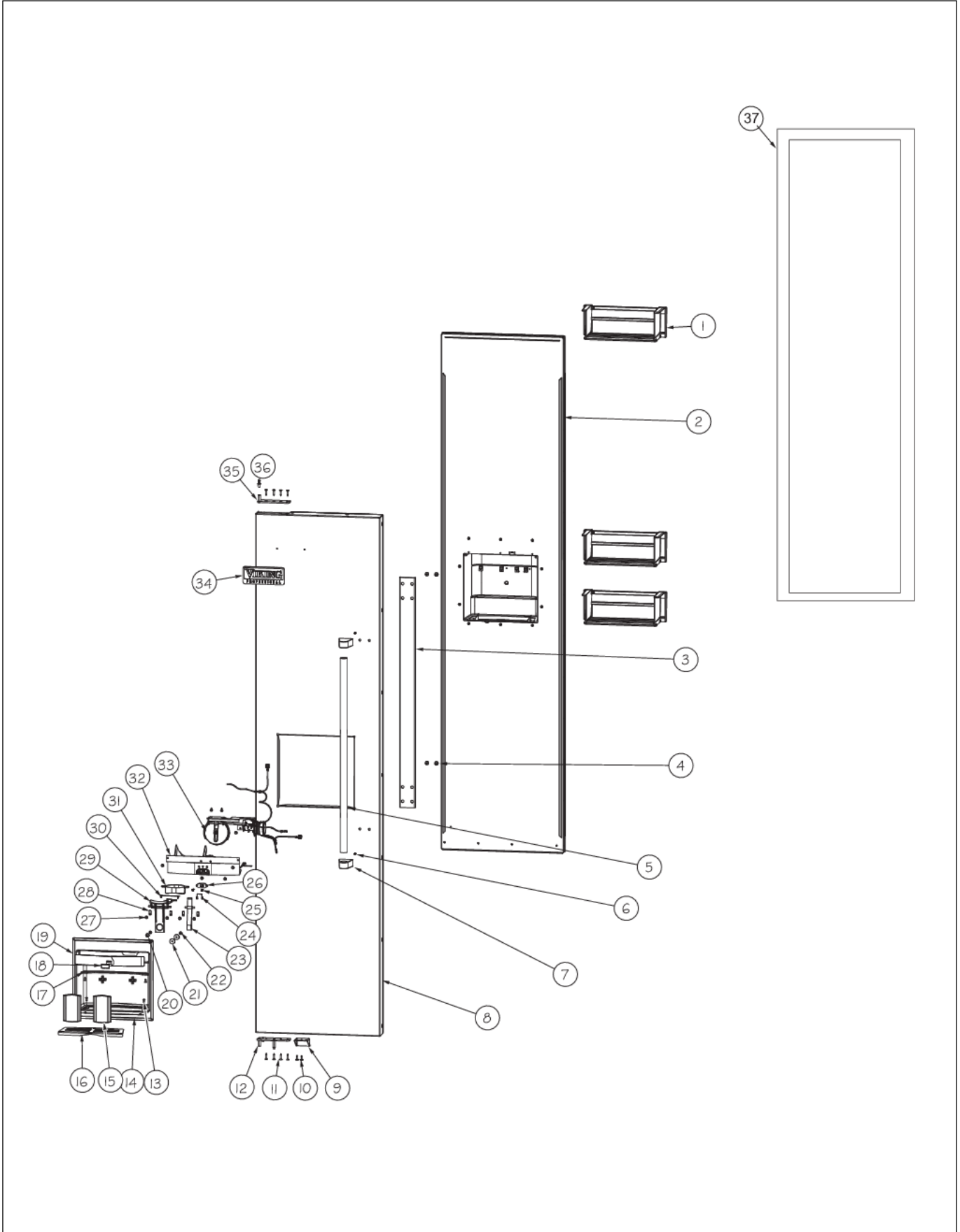
EXTERIOR ASSEMBLY



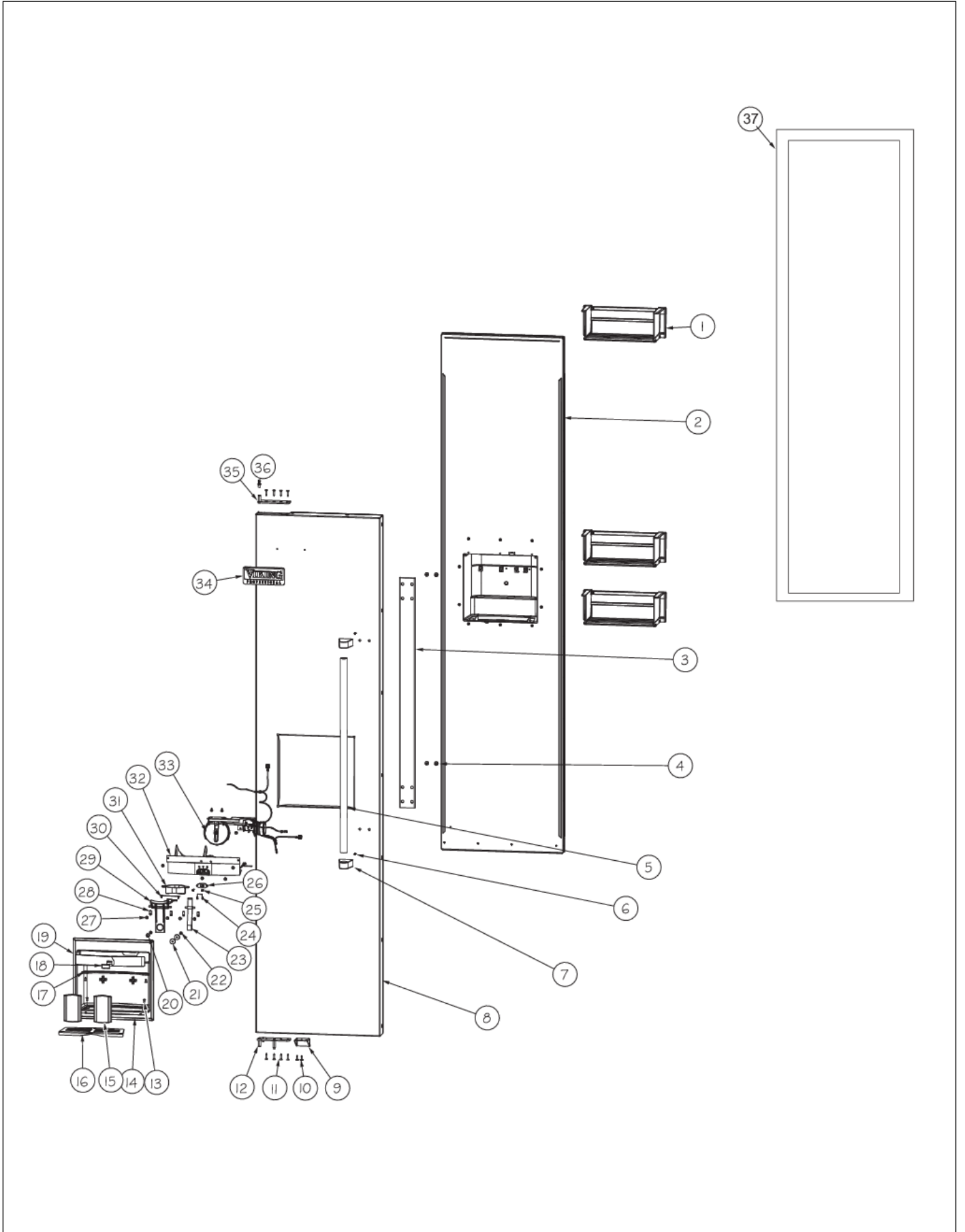


Item	Part No.	Name	Qty	Uom	NOTES
1	M0215318	SCREW-SM	18	EA	
2	PK920066	TRIM, EXTRU, SIDE DES	2	EA	
3	000207-002	KICKPLATE, LWR	1	EA	
4	40370P01	NYLON FLAT WASHER V40370P01	4	EA	
5	M0210443	SCREW-E SM VM0210443	4	EA	
6	C9097789BK	GRILLE TOE VENTED BK	1	EA	

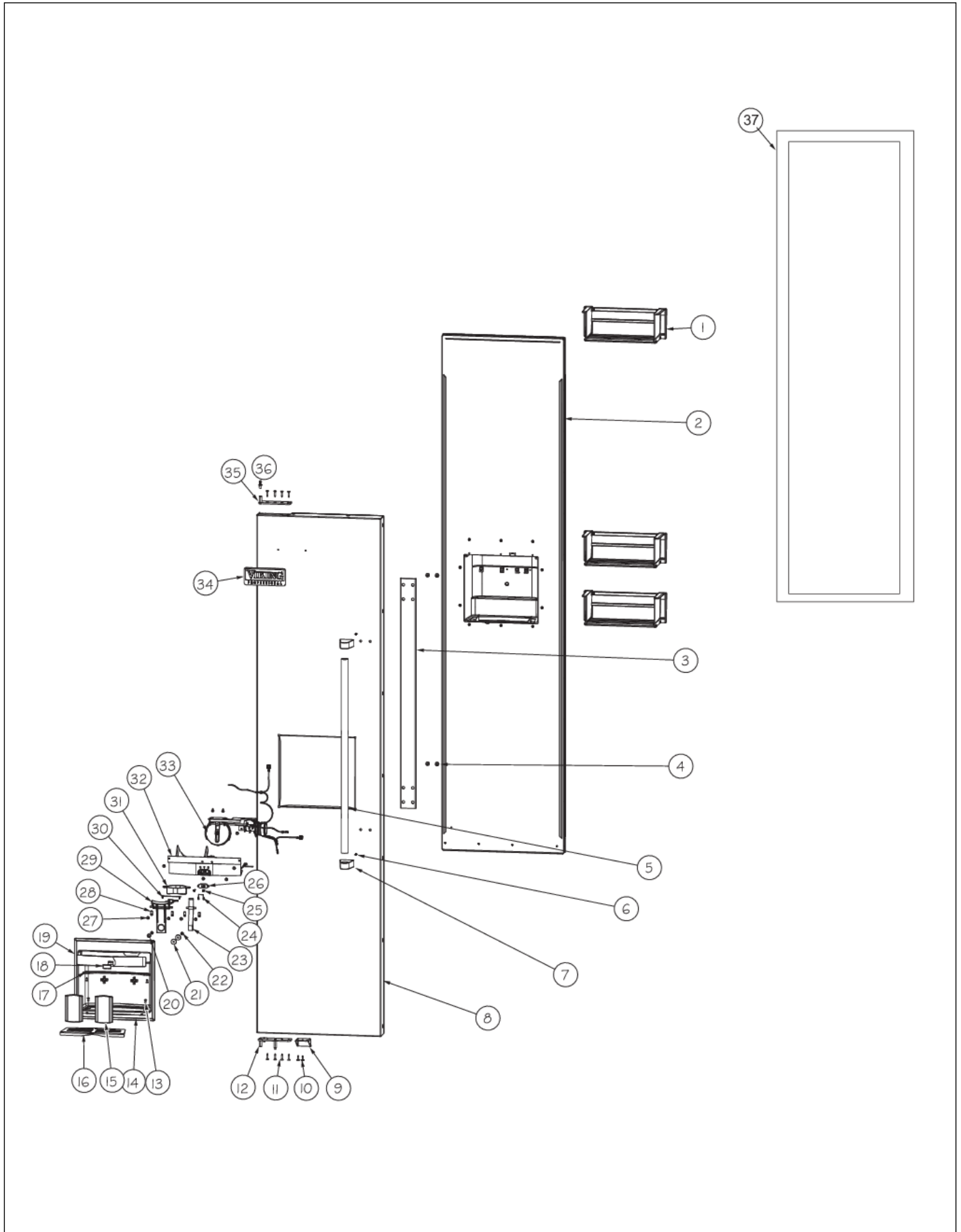
FREEZER DOOR ASSEMBLY



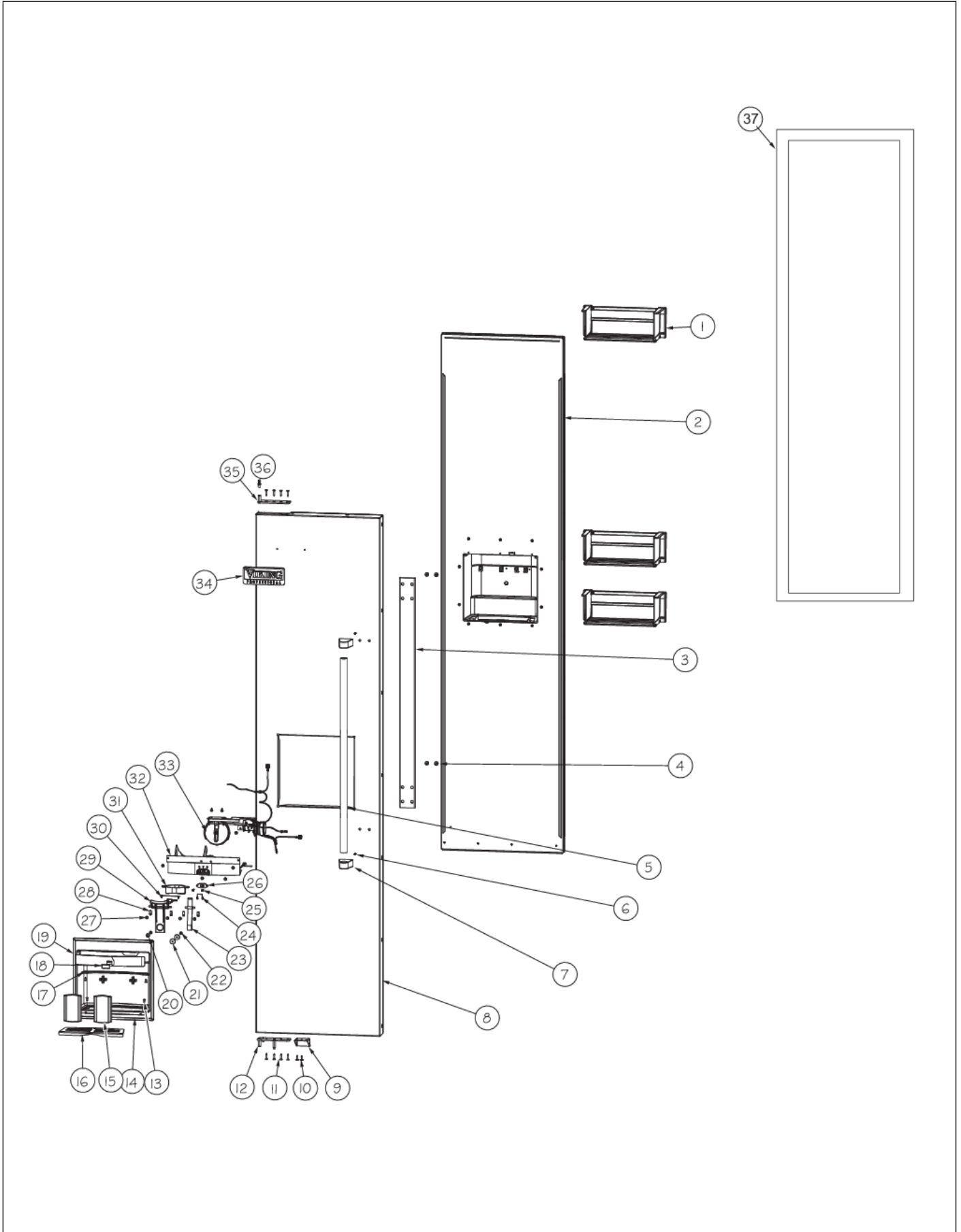
Item	Part No.	Name	Qty	Uom	NOTES
1	036888-000	DOORBIN ASM SXS FZ	3	EA	
2	007521-000	DOOR FOAM ASM SXS 42 FZ DISP	1	EA	
3	013328-000	BRKT,HANDLE,SUPPORT,PRO	1	EA	
4	M0204303	SCREW-MACH	4	EA	
5	012891-000	HANDLE,PRO	1	EA	
6	PD020043	#6-32 X .750 PH. CTRSK T(F)-VGSO166	1	EA	
7	000268-000	HANDLE ENDCAP	2	EA	
NI	000268-100	HANDLE END CAP ASSY - BR	2	EA	
8	010615-000	SKIN, DOOR, SXS 42D FZ PROI SS	1	EA	
NI	009580-002	SKIN, DOOR, SXS 42 PROI FZ BK	1	EA	
NI	009580-003	SKIN, DOOR, SXS 42 PROI FZ BT	1	EA	
NI	009580-004	SKIN, DOOR, SXS 42 PROI FZ SG	1	EA	
NI	009580-005	SKIN, DOOR, SXS 42 PROI FZ GG	1	EA	
NI	009580-006	SKIN, DOOR, SXS 42 PROI FZ WH	1	EA	
NI	009580-007	SKIN,DOOR,SXS 42 PROI FZ AL	1	EA	Not available online / Call for pricing and availability
NI	009580-008	SKIN, DOOR, SXS 42 PROI FZ BU	1	EA	
NI	009580-009	SKIN, DOOR, SXS 42 PROI FZ LE	1	EA	
NI	009580-010	SKIN, DOOR, SXS 42 PROI FZ MJ	1	EA	
NI	009580-011	SKIN,DOOR,SXS 42 PROI FZ FG	1	EA	Not available online / Call for pricing and availability
NI	009580-012	SKIN, DOOR, SXS 42 PROI FZ VB	1	EA	
NI	009580-013	SKIN, DOOR, SXS 42 PROI FZ CB	1	EA	
NI	009580-014	SKIN, DOOR, SXS 42 PROI FZ EP	1	EA	Not available online / Call for pricing and availability



Item	Part No.	Name	Qty	Uom	NOTES
NI	009580-015	SKIN, DOOR, SXS 42 PROI FZ PL	1	EA	
NI	009580-016	SKIN, DOOR, SXS 42 PROI FZ CH	1	EA	
NI	009580-017	SKIN, DOOR, SXS 42 PROI FZ TP	1	EA	
NI	009580-018	SKIN, DOOR, SXS 42 PROI FZ CW NLA	1	EA	
NI	009580-019	SKIN, DOOR, SXS 42 PROI FZ OG	1	EA	
NI	009580-020	SKIN, DOOR, SXS 42 PROI FZ GM	1	EA	
NI	009580-021	SKIN, DOOR, SXS 42 PROI FZ SA	1	EA	
NI	009580-022	SKIN, DOOR, SXS 42 PROI FZ SE	1	EA	
NI	009580-023	SKIN, DOOR, SXS 42 PROI FZ IB	1	EA	
NI	009580-024	SKIN, DOOR, SXS 42 PROI FZ AR	1	EA	
NI	009580-025	SKIN, DOOR, SXS 42 PROI FZ RR	1	EA	
NI	009580-026	SKIN, DOOR, SXS 42 PROI FZ PM	1	EA	
NI	009580-027	SKIN, DOOR, SXS 42 PROI FZ MS	1	EA	
9	PD050019	STRIKER DOOR SWITCH	1	EA	
10	M0210458	SCREW-SM	2	EA	
11	PD920174	10-32 TORX HEAD SCREW	8	EA	
12	016182-000	PIVOT PL ASM LH LW PRO/DES	1	EA	
13	M0215318	SCREW-SM	4	EA	
14	015160-000	BEZEL ASM	1	EA	
15	009631-000	PAD ACTUATOR	2	EA	
16	013682-000	TRAY, SPILL, PROI, I/W DISPENSER 42D&48D	1	EA	
17	036580-000	STOP, E FACADE	1	EA	
18	013685-000	SLIDE SWITCH CAP (GRAY)	1	EA	
19	041624-000	Insert Façade (After 4/15/05)	1	EA	
20	PD040071	#10 S.S. FLAT WASHER	1	EA	
21	M0270546	WASHER	2	EA	

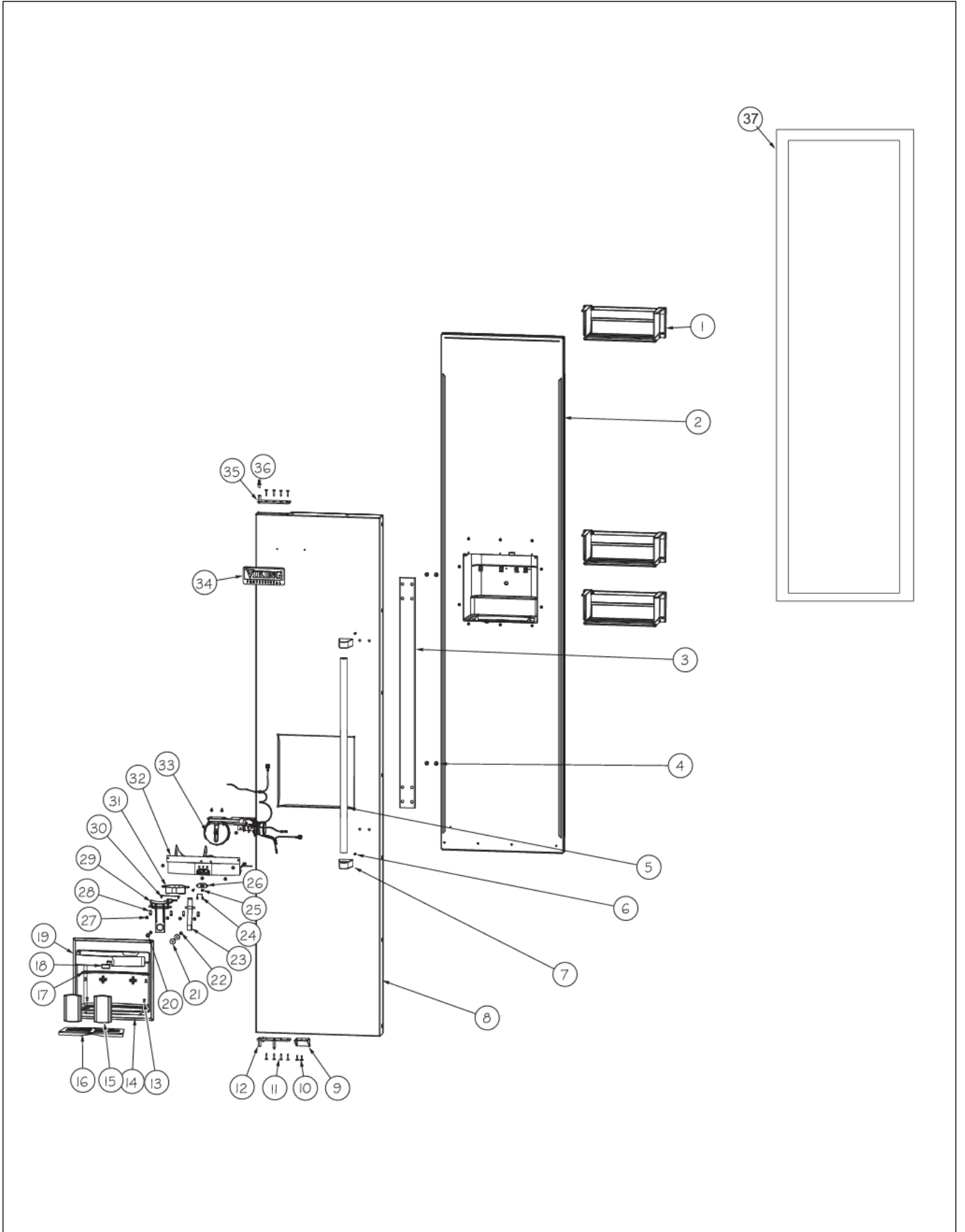


Item	Part No.	Name	Qty	Uom	NOTES
22	M0210443	SCREW-E SM VM0210443	2	EA	
23	PK930404	ARM WATER ACTUATOR	1	EA	
24	B8385402	SPRING-RETURN	1	EA	
25	003334-000	SCR, #4-24 X 1/2	2	EA	
26	PE950152	SWITCH SLIDE	1	EA	
27	PD020193	SCR 8-18 X 3/8	11	EA	
28	B10910081	DISP RETAINER ICE ARM	4	EA	
29	PK030470	ARM ICE ACTUATOR	1	EA	
30	PC010022	SPRING RETURN ICE ACTUATOR	1	EA	
31	036579-000	SHROUD, I/W DISPENSER	1	EA	
32	PE070755	DISPENSER CAVITY ASSEMBLY	1	EA	
33	G50914155	ICE DISPENSER MODULE ASM	1	EA	
34	PE010030	LOGO	1	EA	
NI	PE010031	LOGO 6" (VGRC) *BK/WH*	1	EA	NO LONGER AVAILABLE
NI	PE010068	LOGO 6" (VGRC) BK/BR	1	EA	
NI	PE010076	LOGO 6" (VGRC) *BR/WH*	1	EA	NO LONGER AVAILABLE
35	PC020279	PIVOT PL ASM LH UP PRO/DES	1	EA	
36	PD020234	SCREW THP 10-32 X .500 SS BO	1	EA	
37	005453-000	GASKET,ASM,42,SXS,FZ DISP VID# 602712817-17	1	EA	
NI	009582-000	DOOR, SKIN, ASM, SXS 42 DISP FZ PROI	1	EA	Not available online / Call for pricing and availability
NI	009582-100	DOOR,SKIN,ASM,SXS 42 DISP FZ PROI BRASS	1	EA	Not available online / Call for pricing and availability
NI	009582-002	DOOR ASM, SXS 42 PROI FZ BK	1	EA	
NI	009582-003	DOOR ASM, SXS 42 PROI FZ BT	1	EA	
NI	009582-004	DOOR ASM, SXS 42 PROI FZ SG	1	EA	
NI	009582-005	DOOR ASM, SXS 42 PROI FZ GG	1	EA	

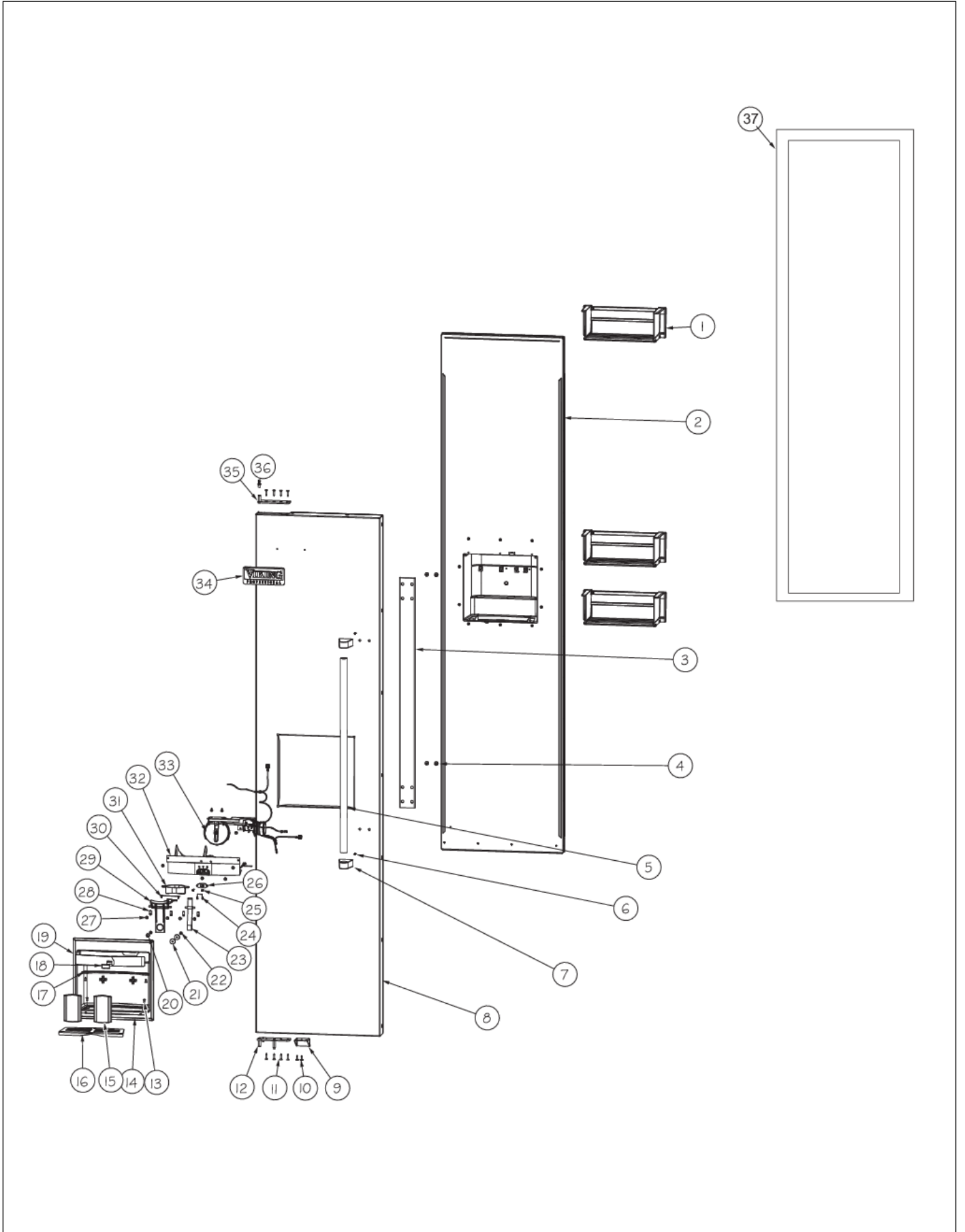




Item	Part No.	Name	Qty	Uom	NOTES
NI	009582-006	DOOR, SKIN, ASM, SXS 42 DISP FZ PROI WH	1	EA	
NI	009582-007	DOOR ASM,SXS 42 PROI FZ AL	1	EA	Not available online / Call for pricing and availability
NI	009582-008	DOOR ASM, SXS 42 PROI FZ BU	1	EA	
NI	009582-009	DOOR ASM, SXS 42 PROI FZ LE	1	EA	
NI	009582-010	DOOR ASM, SXS 42 PROI FZ MJ	1	EA	
NI	009582-011	DOOR ASM,SXS 42 PROI FZ FG	1	EA	Not available online / Call for pricing and availability
NI	009582-012	DOOR ASM, SXS 42 PROI FZ VB	1	EA	
NI	009582-013	DOOR ASM, SXS 42 PROI FZ CB	1	EA	
NI	009582-014	DOOR ASM, SXS 42 PROI FZ EP	1	EA	Not available online / Call for pricing and availability
NI	009582-015	DOOR ASM, SXS 42 PROI FZ PL	1	EA	
NI	009582-016	DOOR ASM, SXS 42 PROI FZ CH	1	EA	
NI	009582-017	DOOR ASM, SXS 42 PROI FZ TP	1	EA	
NI	009582-018	DOOR ASM, SXS 42 PROI FZ CW NLA	1	EA	
NI	009582-019	DOOR ASM, SXS 42 PROI FZ OG	1	EA	
NI	009582-020	DOOR ASM, SXS 42 PROI FZ GM	1	EA	
NI	009582-021	DOOR ASM, SXS 42 PROI FZ SA	1	EA	
NI	009582-022	DOOR ASM, SXS 42 PROI FZ SE	1	EA	
NI	009582-023	DOOR ASM, SXS 42 PROI FZ IB	1	EA	
NI	009582-024	DOOR ASM, SXS 42 PROI FZ AR	1	EA	
NI	009582-025	DOOR ASM, SXS 42 PROI FZ RR	1	EA	



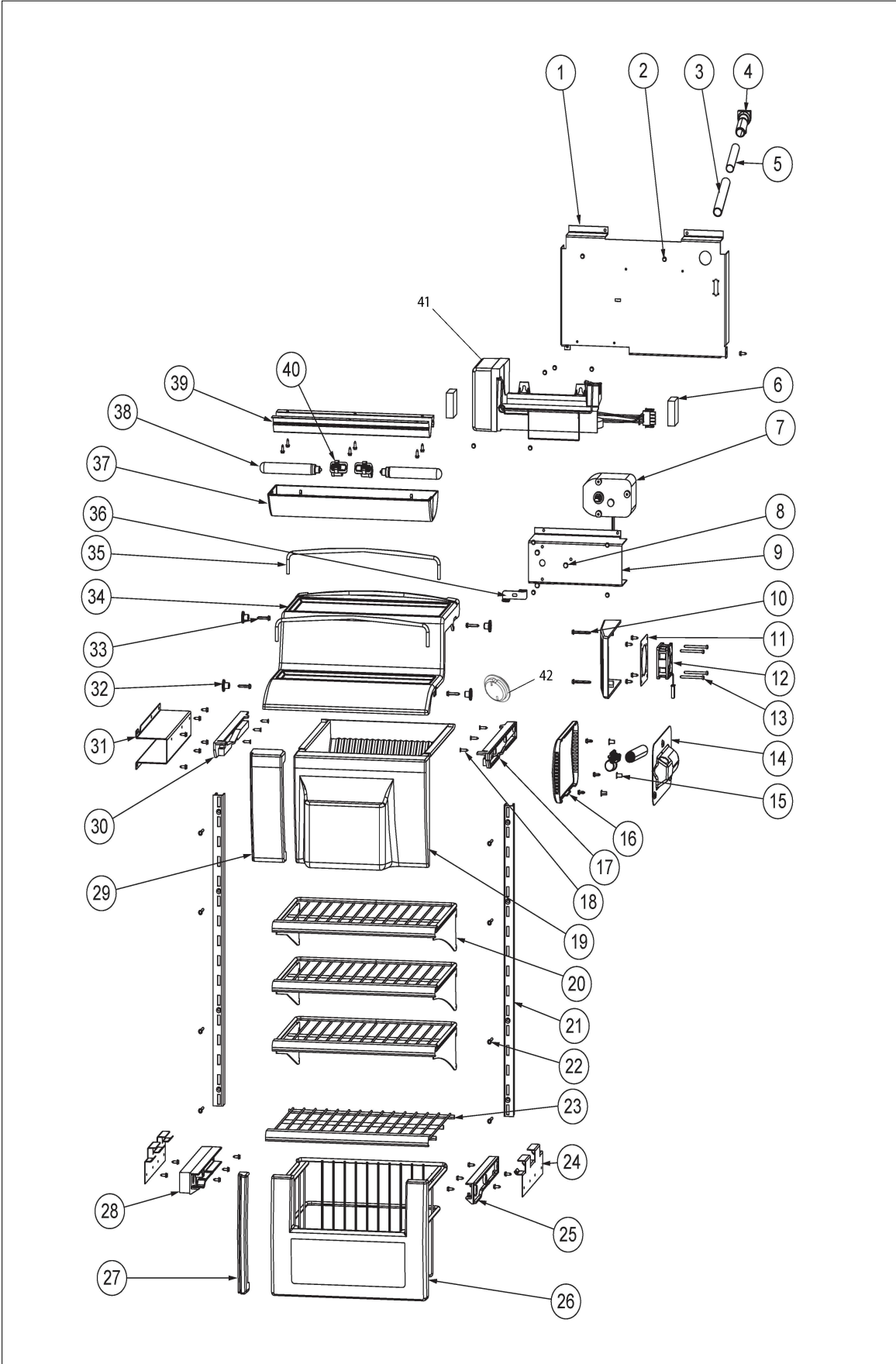
Item	Part No.	Name	Qty	Uom	NOTES
NI	009582-026	DOOR ASM, SXS 42 PROI FZ PM	1	EA	
NI	009582-027	DOOR ASM, SXS 42 PROI FZ MS	1	EA	
NI	009582-102	DOOR ASM, SXS 42 PROI FZ BK/BR	1	EA	
NI	009582-103	DOOR ASM, SXS 42 PROI FZ BT/BR	1	EA	
NI	009582-104	DOOR ASM, SXS 42 PROI FZ SG/BR	1	EA	
NI	009582-105	DOOR ASM, SXS 42 PROI FZ GG/BR	1	EA	
NI	009582-106	DOOR, SKIN, ASM,SXS 42 DISP FZ PROI WH/BR	1	EA	
NI	009582-107	DOOR ASM,SXS 42 PROI FZ AL/BR	1	EA	Not available online / Call for pricing and availability
NI	009582-108	DOOR ASM, SXS 42 PROI FZ BU/BR	1	EA	
NI	009582-109	DOOR ASM, SXS 42 PROI FZ LE/BR	1	EA	
NI	009582-110	DOOR ASM, SXS 42 PROI FZ MJ/BR	1	EA	
NI	009582-111	DOOR ASM,SXS 42 PROI FZ FG/BR	1	EA	Not available online / Call for pricing and availability
NI	009582-112	DOOR ASM, SXS 42 PROI FZ VB/BR	1	EA	
NI	009582-113	DOOR ASM, SXS 42 PROI FZ CB/BR	1	EA	
NI	009582-114	DOOR ASM, SXS 42 PROI FZ EP/BR	1	EA	Not available online / Call for pricing and availability
NI	009582-115	DOOR ASM, SXS 42 PROI FZ PL/BR	1	EA	
NI	009582-116	DOOR ASM, SXS 42 PROI FZ CH/BR	1	EA	
NI	009582-117	DOOR ASM, SXS 42 PROI FZ TP/BR	1	EA	
NI	009582-118	DOOR ASM, SXS 42 PROI FZ CW/BR	1	EA	
NI	009582-119	DOOR ASM, SXS 42 PROI FZ OG/BR	1	EA	





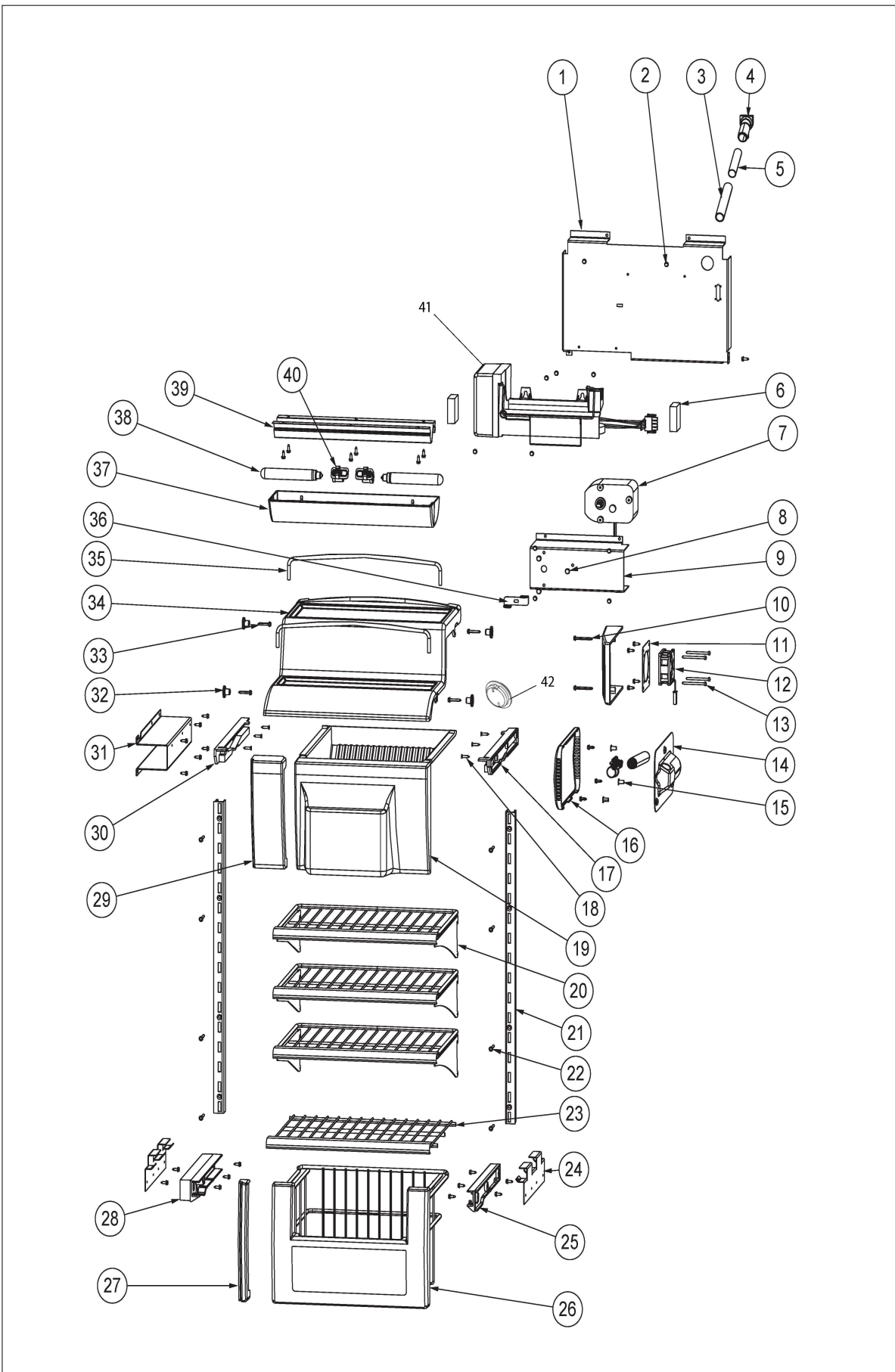
Item	Part No.	Name	Qty	Uom	NOTES
NI	009582-120	DOOR ASM, SXS 42 PROI FZ GM/BR	1	EA	
NI	009582-121	DOOR ASM, SXS 42 PROI FZ SA/BR	1	EA	
NI	009582-122	DOOR ASM, SXS 42 PROI FZ SE/BR	1	EA	
NI	009582-123	DOOR ASM, SXS 42 PROI FZ IB/BR	1	EA	
NI	009582-124	DOOR ASM, SXS 42 PROI FZ AR/BR	1	EA	
NI	009582-125	DOOR ASM, SXS 42 PROI FZ RR/BR	1	EA	
NI	009582-126	DOOR ASM, SXS 42 PROI FZ PM/BR	1	EA	
NI	009582-127	DOOR ASM, SXS 42 PROI FZ MS/BR	1	EA	

FREEZER INTERIOR ASSEMBLY





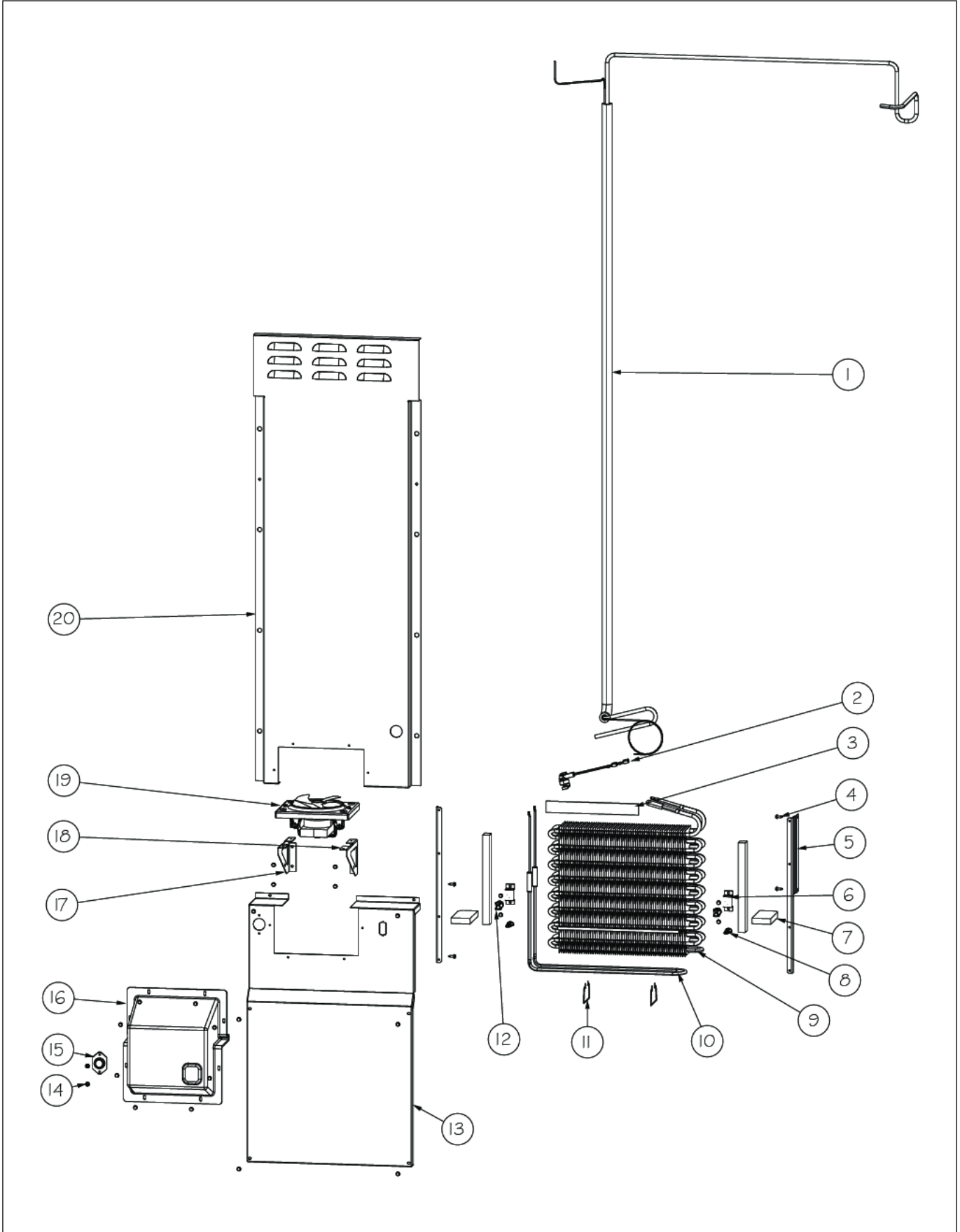
Item	Part No.	Name	Qty	Uom	NOTES
1	L2097158WH	COVER UPPER EVAP	1	EA	
2	PD020194	SCR, HEX SRTD WSHR HD, #8-18 X 1/2	41	EA	
3	015813-000	EXT FILL TUBE	1	EA	
4	10276601	ELBOW-FILLER TUBE	1	EA	
5	029418-000	FILL TUBE DISP	1	EA	
6	PB970176	GASKET UPPER EVAP COVER	2	EA	
7	PE950158	Motor Auger	1	EA	
8	PD020191	SCR. #10 PLAS HXW 1/2 S	1	EA	
9	C90914113WH	BRACKET - AUGER MOTOR (WH)	1	EA	
10	PD020188	SCR 8-18 BT HXWS 1 1/2	2	EA	
11	007302-000	BRACKET,FAN	1	EA	
12	004551-000	AXIAL FAN	1	EA	
<p>Comments for Part Num. 004551-000</p> <p>gboltz@VikingRange.com on Jul 21, 2016</p> <p>View service bulletin TR-0052-SP before ordering fan, if applicable order kit instead of fan</p>					
13	M0221913	SCREW-SM	4	EA	
14	10270203	HOUSING-LIGHT V10270203	1	EA	
15	M0580007	GROMMET-SCREW	3	EA	
16	PK930346	COVER LIGHT	1	EA	
17	PK930265	GLIDE R FZ	1	EA	
18	M0213503	SCREW, SM	6	EA	
19	019144-000	ICE BUCKET ASM	1	EA	
<p>Comments for Part Num. 019144-000</p> <p>gboltz@VikingRange.com on Mar 28, 2017</p> <p>See parts bulletin 2017-03P ice bucket helix replacement</p>					
20	PM910411	SHELF WIRE AF 36	3	EA	
21	PM910375	LADDER R/L FZ	2	EA	
22	M0238535	SCREW-SM	6	EA	
23	PM910231	FZ FIXED BASKET ASSEMBLY	1	EA	
24	L20910067	BRACKET SHELF FZ	2	EA	





Item	Part No.	Name	Qty	Uom	NOTES
25	PK930074	GLIDE SXS 48 FZ R	1	EA	
26	PM910190	BASKET ASM FZ	1	EA	
27	PK930107	FZ BASKET SIDE SPACER FRONT	1	EA	
28	PK930075	GLIDE SXS 48 FZ L	1	EA	
29	PK930096	CLOSEOUT - ICE DISPENSER	1	EA	
30	PK930266	GLIDE L FZ	1	EA	
31	C20910027	SUPPORT LS ICE BUCKET	1	EA	Not available online / Call for pricing and availability
32	12258501	SUPPORT-SHELF	4	EA	
33	M0211021	SCREW-SM	4	EA	
34	PK930264	SHELF COVER	1	EA	
35	PM910435	RETAINER WIRE	2	EA	
36	B20911863	Driver- Ice Bucket RNG	1	EA	
37	020117-000	COVER LIGHT ASM SXS 42 FZ	1	EA	
38	004528-000	LAMP, 40 WATT CLEAR LIGHT	3	EA	
39	L2099475	BRACKET LIGHT SXS FZ	1	EA	
40	PE950125	LIGHT SOCKET	3	EA	
41	043156-000	ICEMAKER ASSEMBLY	1	EA	
42	PM910331C	CAP,HELIX	1	EA	

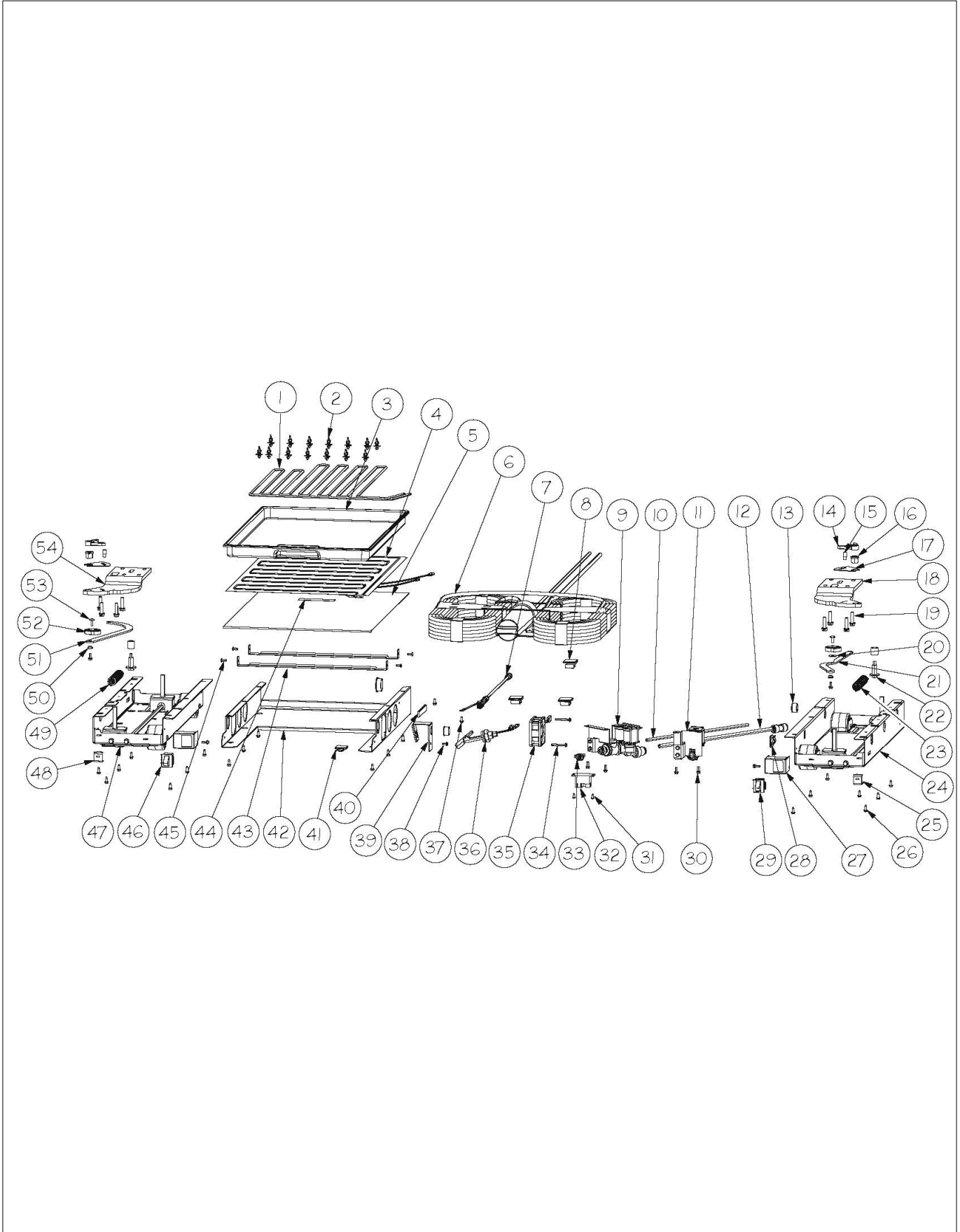
LOW SIDE ASSEMBLY



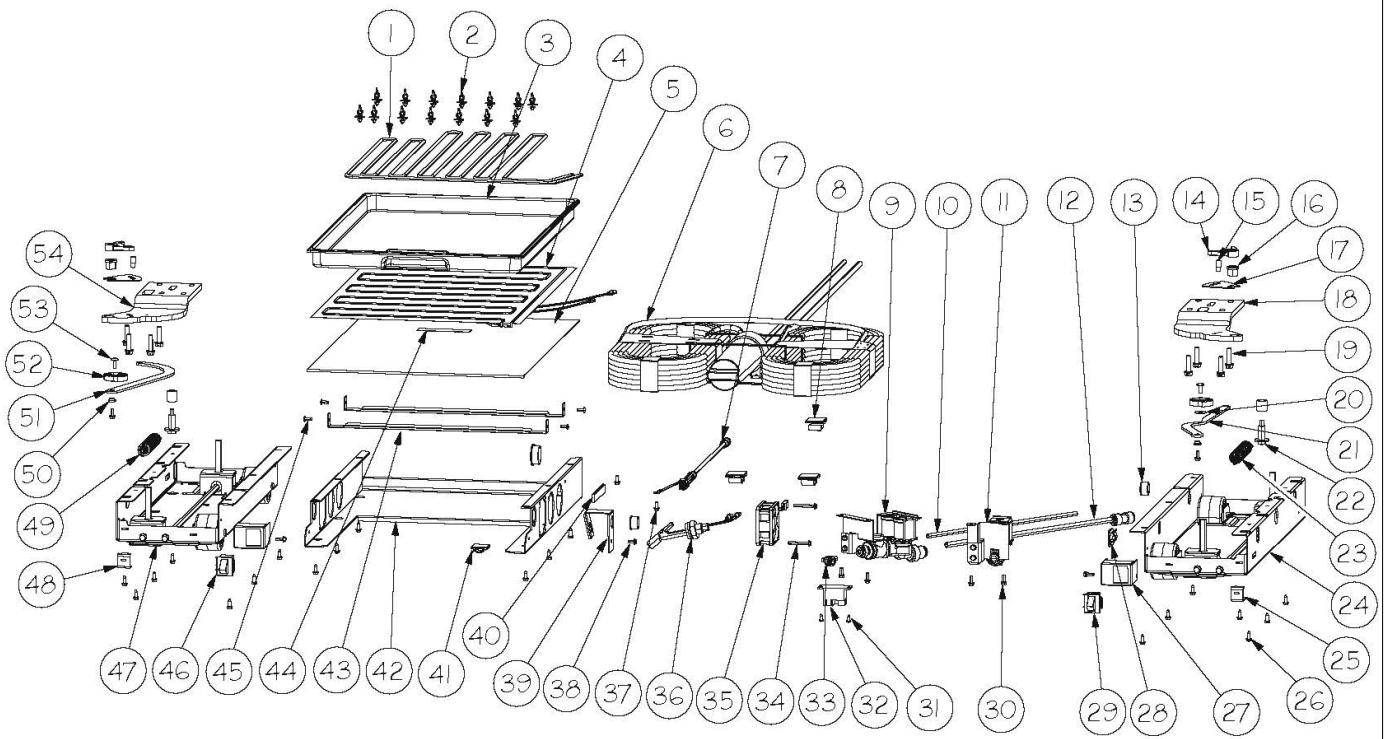


Item	Part No.	Name	Qty	Uom	NOTES
1	053308-000	HEAT EXCHANGER ASM SXS 42	1	EA	
2	058966-000	THERMOSTAT, SNAP ACTION, 55 OPEN 20 CLOSE	1	EA	
3	A3189370	GASKET-FOAM VA3189370	3	EA	
4	PD020194	SCR, HEX SRTD WSHR HD, #8-18 X 1/2	23	EA	
5	K2096461	BRKT-EVAP COVER 12234801	2	EA	
6	K2096456	BRKT-EVAP CLIP 12215101	2	EA	
7	10629001	BLOCK-R AIR COIL RED	2	EA	
8	10527401	CLIP-EVAP	2	EA	
9	PM910206	EVAPORATOR SXS 48	1	EA	
10	PJ910031	HEATER EVAP SXS	1	EA	
11	10428101	CLIP-EVAP HTR V10428101	2	EA	
12	10623003	CLIP-EVAP	1	EA	
13	L2097182	COVER EVAP LOWER SXS 48	1	EA	
14	M0211014	SCREW-SM	2	EA	Not available online / Call for pricing and availability
15	C8983701	THERMISTOR	1	EA	
16	PK930150	COVER CTR EVAP SXS	1	EA	
17	K2096458	BRKT-L-EVAP-FAN 12223102	1	EA	
18	K2096457	BRKT-R-EVAP FAN 12223101	1	EA	
19	G5098660	FAN EVAP ASM PANASONIC	1	EA	
20	L2097181	COVER EVAP UPPER SXS 48	1	EA	

LOWER UNIT ASSEMBLY

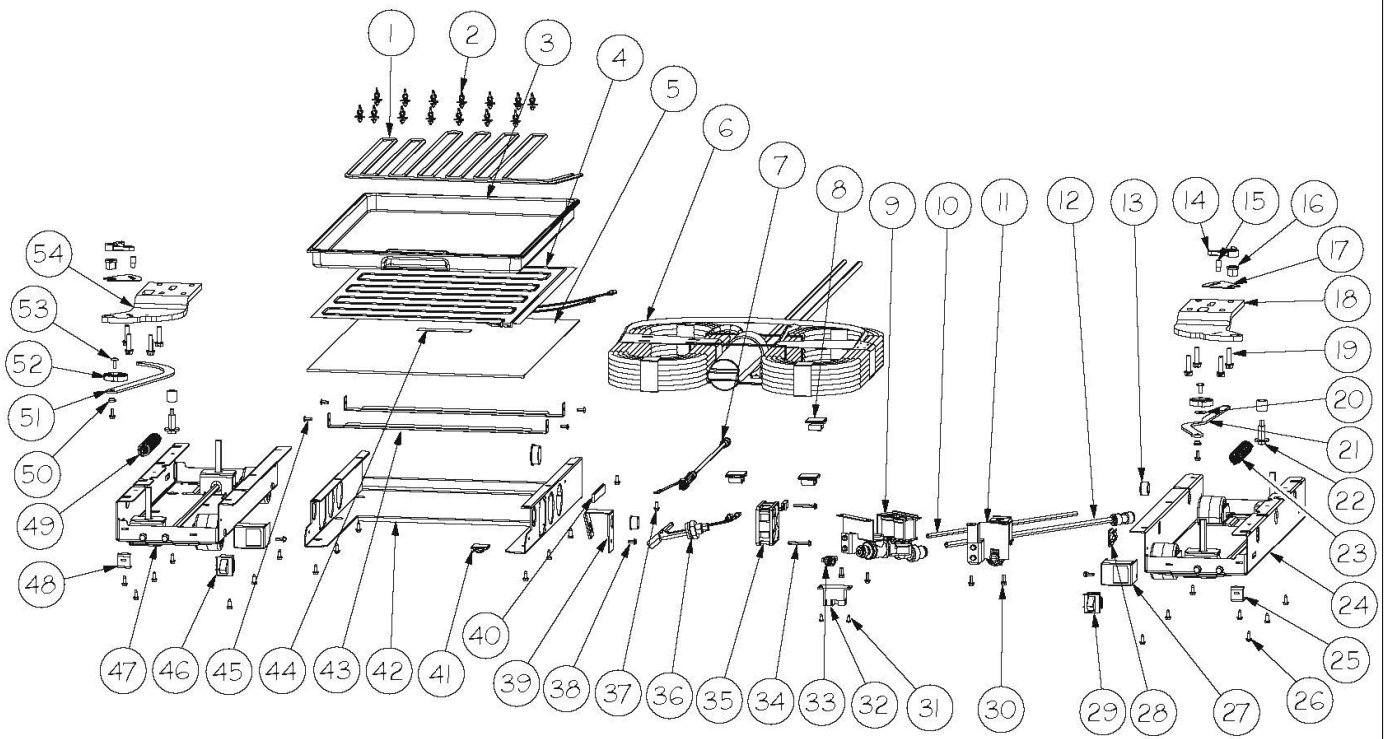


Item	Part No.	Name	Qty	Uom	NOTES
1	F20915693	SERPENTINE CONDENSER DRAIN ALL SXS'S	1	EA	
2	PD030146	STAND OFF LOCK CLIP	14	EA	
3	PK930348	PAN DRAIN	1	EA	
4	G50911853	TRAY PAN HEATER	1	EA	
5	L20914124WH	TRAY PAN HEATER	1	EA	
6	041669-000	FILTER/COIL TUBE ASSEMBLY	1	EA	
7	040066-000	HARNESS JUMPER LOWER	1	EA	
8	M0104102	CLIP-CORD RED	3	EA	
9	G32914174	BRKT & VALVE J.G. INLET ASM	1	EA	
Not Shown	NOTE	(BEFORE, ON, OR AFTER 051910R)		EA	
10	PB020303	Water Line	1	EA	
11	G32913791	BRKT & VALVE H2O DUAL ASM	1	EA	
Not Shown	NOTE	(BEFORE 051910R)		EA	
NI	G32915704	BRKT AND VALVE SINGLE ASM DISP	1	EA	
Not Shown	NOTE	(ON OR AFTER 051910R)		EA	
12	PB020294	TUBE ASM-DOOR TO VALVE	1	EA	
13	A4554806	BUSHING-SNAP VA4554806	2	EA	
14	PD940091	BUSHING - DOOR STOP	2	EA	
15	PC920145	PIN - DOOR STOP	2	EA	
16	PD940090	BUSHING - WC DOOR LEVEL	2	EA	
17	PC920144	PLATE - WC DOOR SHIM	2	EA	
18	PC020288	HINGE PLATE LR	1	EA	
19	000570-000	FASTENER, BOLT, 1/4-20 IHXWS 1" S ZN SER	8	EA	
21	PC920166	HINGE ASM COMPLETE RR	1	EA	
22	M0221523	SCREW - SHLDR	2	EA	
23	003867-000	SPRING EXTENSION	1	EA	
24	PM910398	LEVELER MODULE R	1	EA	
25	K2098044	BRKT GRILLE SUPPORT	1	EA	
26	PD020194	SCR, HEX SRTD WSHR HD, #8-18 X 1/2	20	EA	





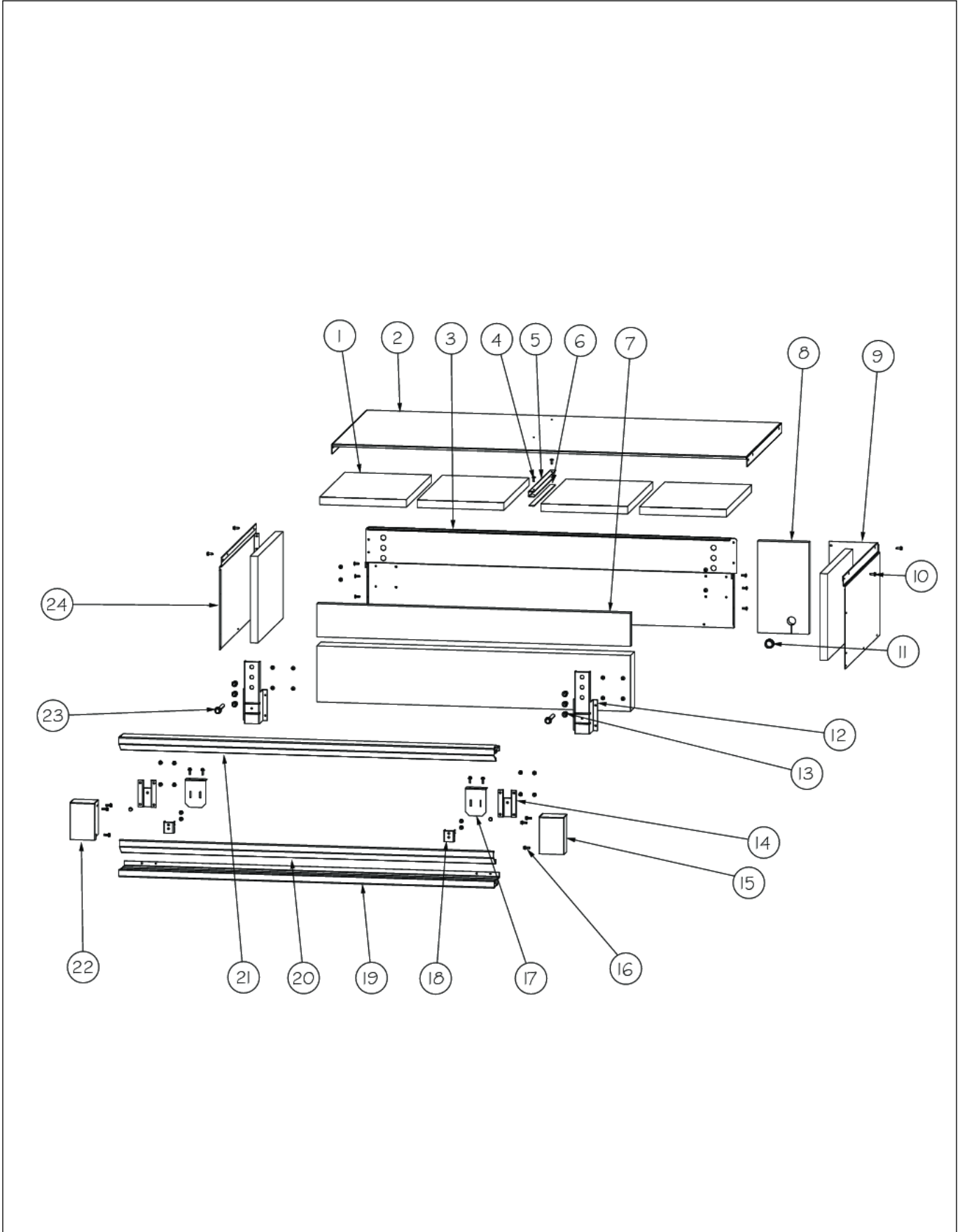
Item	Part No.	Name	Qty	Uom	NOTES
27	014334-000	BRACKET,LT,SWITCH	2	EA	
28	M0104106	CLIP-CORD VM0104106	2	EA	
29	PE950147	SWITCH SPST NC BLACK	1	EA	
<p>Comments for Part Num. PE950147</p> <p>bradleysapplianceservice@shaw.ca on May 1, 2017</p> <p>CAUTION WHEN ORDERING DOOR SWITCH. PARTS LISTINGS COULD BE INCORRECT.</p> <p>THERE IS TWO VERSIONS OF THIS DOOR SWITCH THAT NEEDS TO BE VISUALLY CHECKED ON UNIT TO DETERMINE CORRECT PART.</p> <p>PE950146 DOOR SWITCH 3 WIRE SPDT BLACK</p> <p>PE950147 DOOR SWITCH 2 WIRE SPST BLACK</p>					
30	M0220417	SCREW-TC	8	EA	
31	PD020013	TYPE "AB" #6 X 3/8 PH PAN HD. SMS	2	EA	
32	014808-000	RELAY,WATER VALVE	1	EA	
Not Shown	NOTE	(ON OR AFTER 051910R)		EA	
33	PB020301	STEM ELBOW 1/4 V# PP220808W	1	EA	
34	PD020274	SCR SLTD HEX WSHR HD 8X1.250 BT	2	EA	
35	000731-000	AXIAL FAN	1	EA	
36	PE050248	FLOAT SWITCH HORIZONTAL	1	EA	
37	PD020010	10 X 3/8 GREEN GROUNDING SCREW	2	EA	
38	M0253916	SCR 8-32 SHXW 3/8 TRI-LOBE	1	EA	
39	B20915627	BRACKET HORIZ FLOAT SWITCH	1	EA	
40	PF930654	LABEL CONDENSATE FAN SERVICE	1	EA	
41	A4554817	BUSHING-SNAP VA4554817	1	EA	
42	K20915952	SHIELD BOTTOM DRAIN	1	EA	
43	K20911831	BRACKET CONDENSATE SUPPORT	2	EA	
44	PF031267	LABEL HEATER PAN	1	EA	
45	PC040010	POP RIVET (.063/GR -.125) GAMD42-A	4	EA	
46	PE950146	SPDT SWITCH	1	EA	





Item	Part No.	Name	Qty	Uom	NOTES
47	PM910399	LEVELER MODULE L	1	EA	
48	K2098096	BRKT GRILLE SUPPORT	1	EA	
49	PC910015	SPRING EXTENSION	1	EA	
50	PD940094	BUSHING	2	EA	
51	PC920149	BAR-WC BOT HINGE LH	1	EA	
52	044370-000	CAM DOOR ADJUSTMENT (SXS)	2	EA	
53	PD020234	SCREW THP 10-32 X .500 SS BO	2	EA	
54	PC020289	HINGE PLATE LL	1	EA	
55	PD940107	ROUND SPRING SPACER	2	EA	

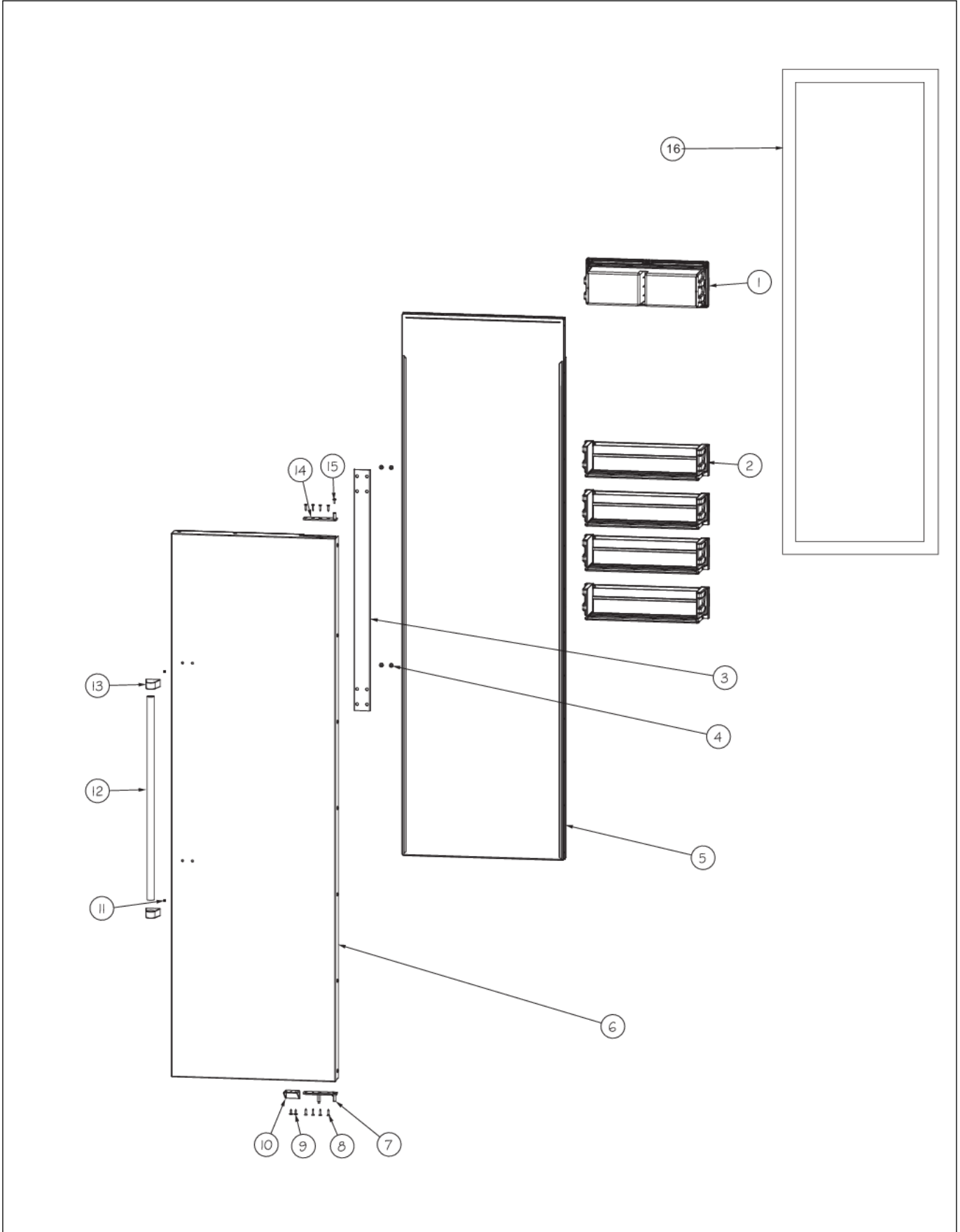
MC COVER AND UPPER GRILLE ASSEM





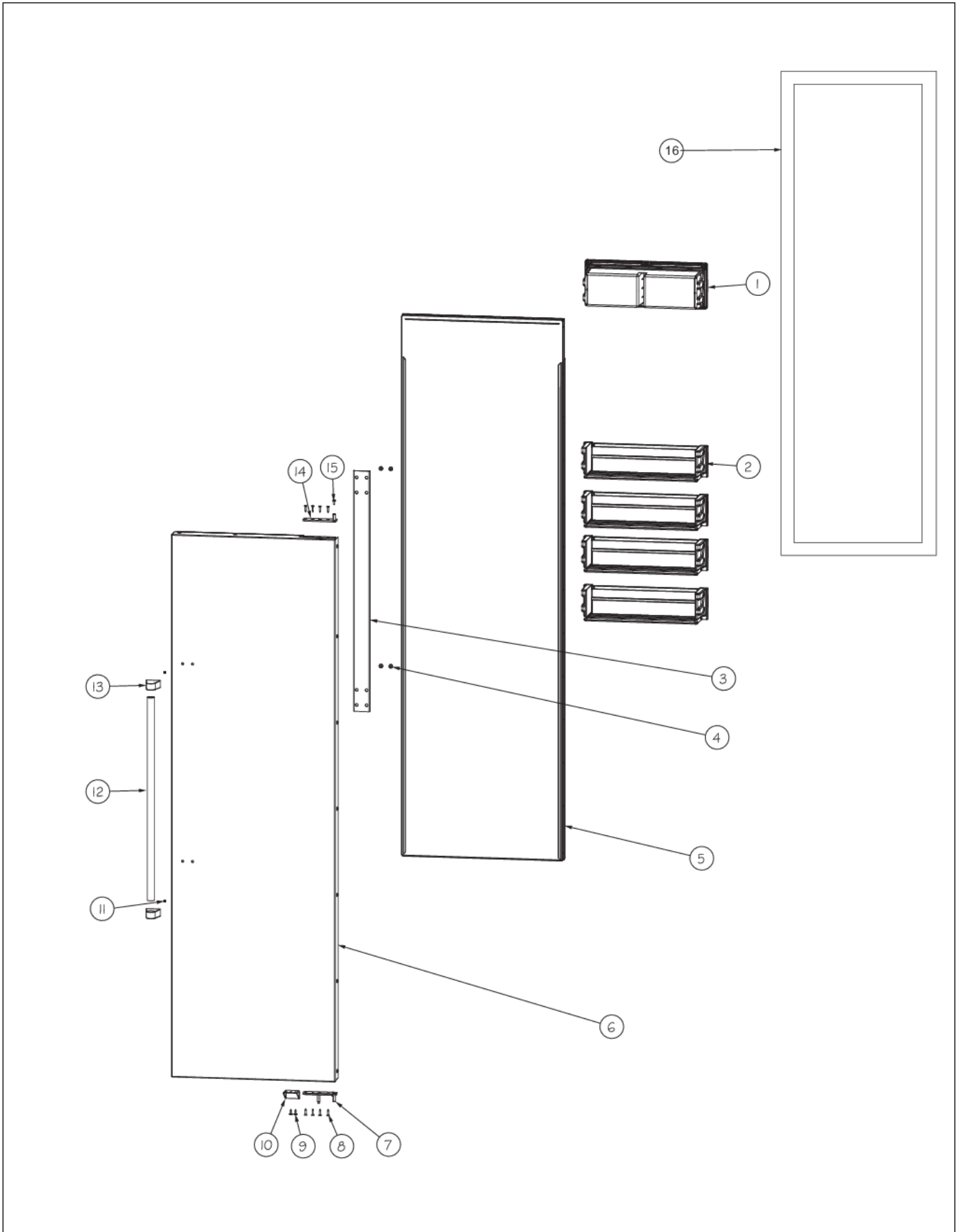
Item	Part No.	Name	Qty	Uom	NOTES
1	PB070355	INSULATION MC COVER	6	EA	
2	K2099458	MC TOP SXS 42	1	EA	
3	K2099461	MC BACK 42	1	EA	
4	PC040010	POP RIVET (.063/GR -.125) GAMD42-A	19	EA	
5	K2099455	SUPPORT MC Z	1	EA	
6	G50915900	MC COVER BI 42	1	EA	Not available online / Call for pricing and availability
7	PB070360	INSULATION MC COVER	2	EA	
8	PB970171	MC INSULATION - BACK SIDE	1	EA	Not available online / Call for pricing and availability
9	K2099459	MC SIDE (RIGHT)	1	EA	
10	PD020194	SCR, HEX SRTD WSHR HD, #8- 18 X 1/2	40	EA	
11	A4554806	BUSHING-SNAP VA4554806	1	EA	
12	K20915675	BRACKET PSM	2	EA	
13	PD040157	BEARING SLEEVE	4	EA	
14	PK050004	BRACKET GRILLE 5 SERIES	2	EA	
15	B20916337	ENDCAP GRILLE PROI R	1	EA	
16	M0220417	SCREW-TC	14	EA	
17	K20916342	BRACKET GRILLE	2	EA	
18	B2096961	BRACKET-LOUVER	2	EA	
19	001100-000	LOUVER.GRL,BOT, SXS 42 PROI	1	EA	
20	001099-000	LOUVER.GRL,MDL, SXS 42 PROI	1	EA	
21	001098-000	LOUVER.GRL, TOP, SXS 42 PROI	1	EA	
22	B20916338	ENDCAP GRILLE PROI L	1	EA	
23	PD020233	SCR LAG 5/16-9 GX 5/16X7/16 WAF IHXW 3 S ZN	1	EA	
24	K2099460	MC SIDE L	1	EA	

REFRIG DOOR ASSEMBLY



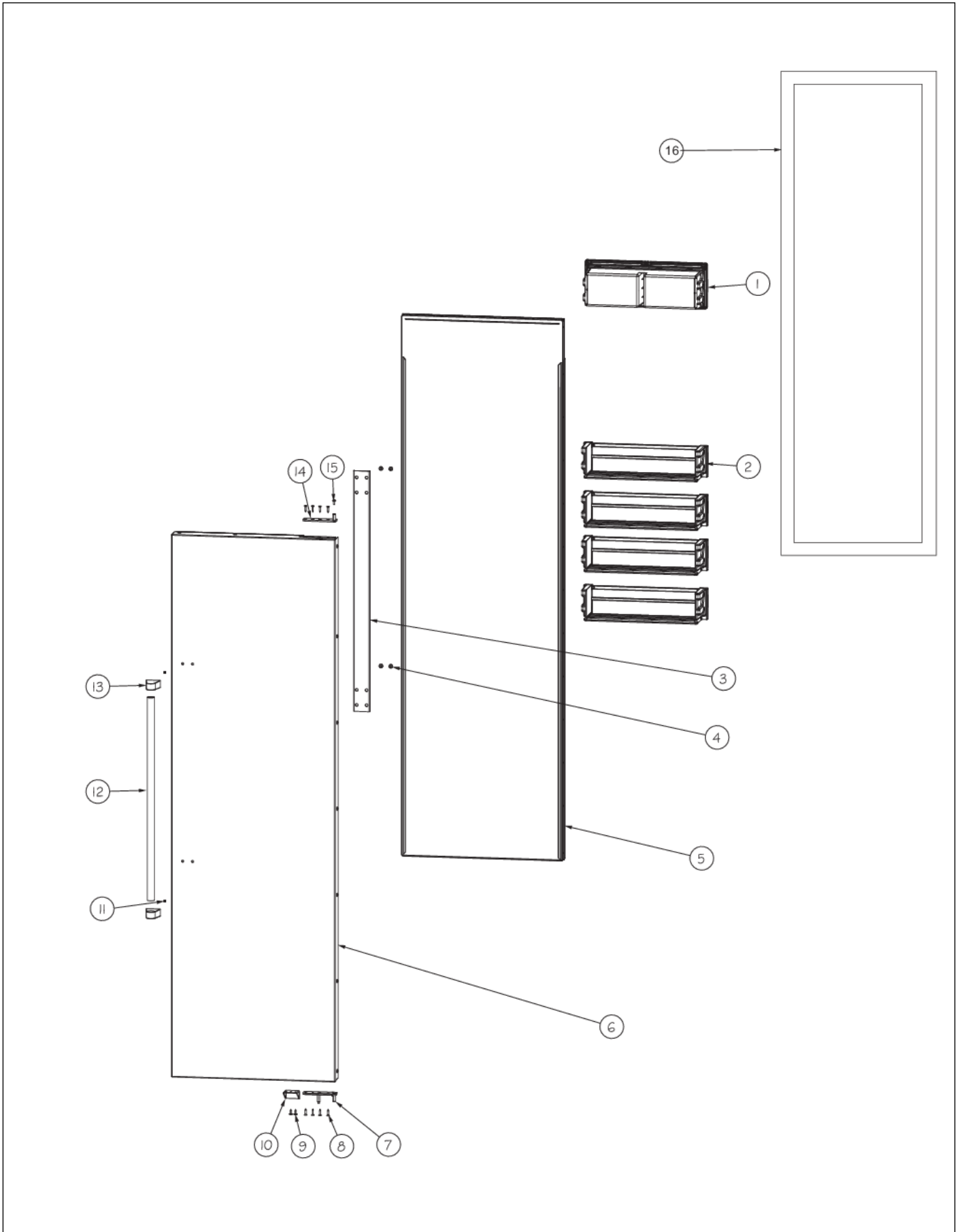


Item	Part No.	Name	Qty	Uom	NOTES
1	PK930123	DAIRY MODULE ASM SXS 42	1	EA	
2	036890-000	DOORBIN ASM SXS 42 FF	4	EA	
3	013327-000	BRACKET,HDL,DES	1	EA	
4	M0204303	SCREW-MACH	4	EA	
5	007514-000	DOOR FOAM ASM SXS 42 FF	1	EA	
6	010581-000	SKIN, DOOR, SXS 42 FF PROI SS	1	EA	
NI	009574-002	SKIN, DOOR, SXS 42 PROI FF BK	1	EA	
NI	009574-003	SKIN, DOOR, SXS 42 PROI FF BT	1	EA	
NI	009574-004	SKIN, DOOR, SXS 42 PROI FF SG	1	EA	
NI	009574-005	SKIN, DOOR, SXS 42 PROI FF GG	1	EA	
NI	009574-006	SKIN, DOOR, SXS 42 PROI FF WH	1	EA	
NI	009574-007	SKIN, DOOR, SXS 42 PROI FF AL	1	EA	Not available online / Call for pricing and availability
NI	009574-008	SKIN, DOOR, SXS 42 PROI FF BU	1	EA	
NI	009574-009	SKIN, DOOR, SXS 42 PROI FF LE	1	EA	
NI	009574-010	SKIN, DOOR, SXS 42 PROI FF MJ	1	EA	
NI	009574-011	SKIN, DOOR, SXS 42 PROI FF FG	1	EA	Not available online / Call for pricing and availability
NI	009574-012	SKIN, DOOR, SXS 42 PROI FF VB	1	EA	
NI	009574-013	SKIN, DOOR, SXS 42 PROI FF CB	1	EA	
NI	009574-014	SKIN, DOOR, SXS 42 PROI FF EP	1	EA	Not available online / Call for pricing and availability
NI	009574-015	SKIN, DOOR, SXS 42 PROI FF PL	1	EA	
NI	009574-016	SKIN, DOOR, SXS 42 PROI FF CH	1	EA	



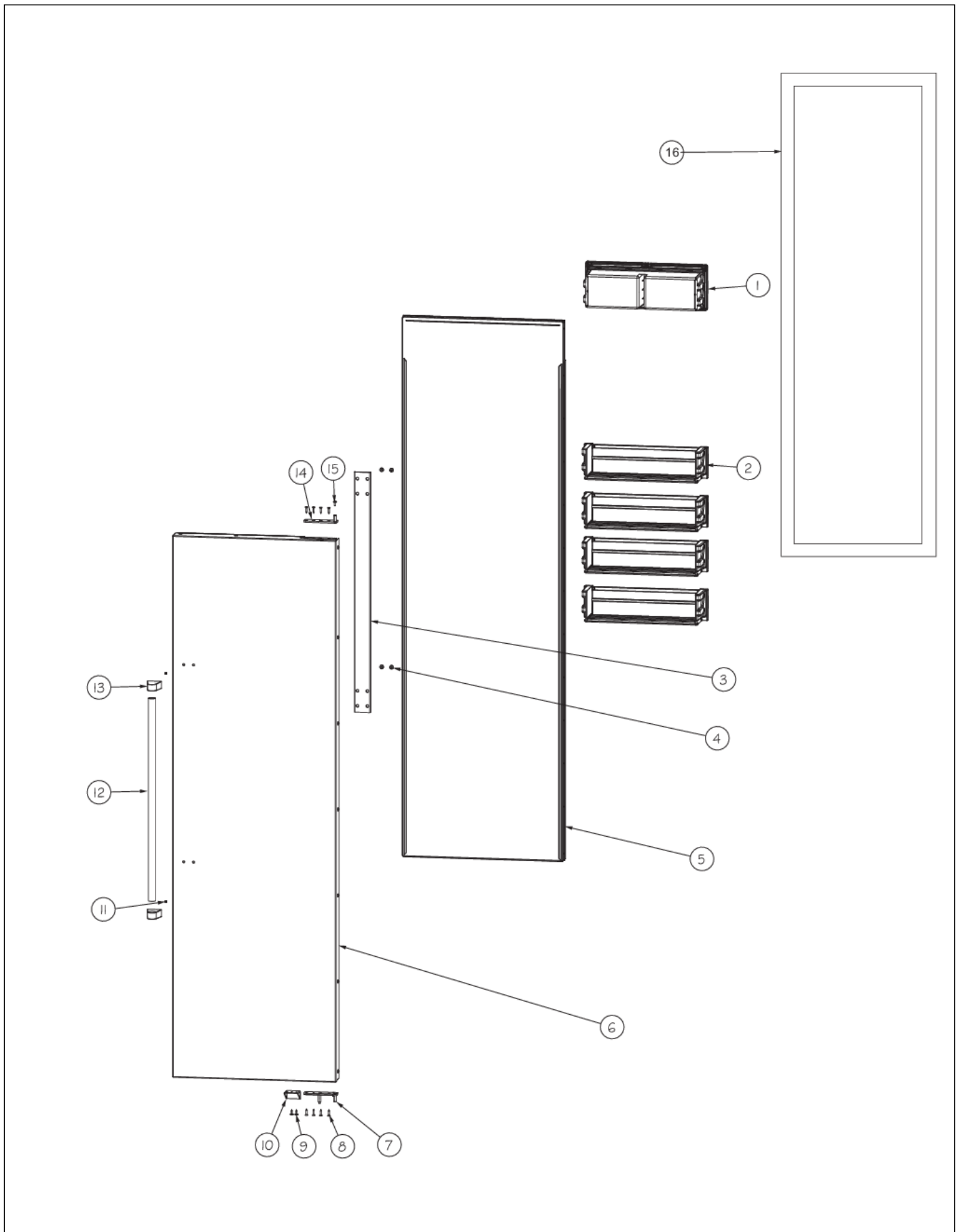


Item	Part No.	Name	Qty	Uom	NOTES
NI	009574-017	SKIN, DOOR, SXS 42 PROI FF TP	1	EA	
NI	009574-018	SKIN, DOOR, SXS 42 PROI FF CW NLA	1	EA	
NI	009574-019	SKIN, DOOR, SXS 42 PROI FF OG	1	EA	
NI	009574-020	SKIN, DOOR, SXS 42 PROI FF GM	1	EA	
NI	009574-021	SKIN, DOOR, SXS 42 PROI FF SA	1	EA	
NI	009574-022	SKIN, DOOR, SXS 42 PROI FF SE	1	EA	
NI	009574-023	SKIN, DOOR, SXS 42 PROI FF IB	1	EA	
NI	009574-024	SKIN, DOOR, SXS 42 PROI FF AR	1	EA	
NI	009574-025	SKIN, DOOR, SXS 42 PROI FF RR	1	EA	
NI	009574-026	SKIN, DOOR, SXS 42 PROI FF PM	1	EA	
NI	009574-027	SKIN, DOOR, SXS 42 PROI FF MS	1	EA	
7	016182-000	PIVOT PL ASM LH LW PRO/DES	1	EA	
8	PD920174	10-32 TORX HEAD SCREW	5	EA	
9	M0210458	SCREW-SM	1	EA	
10	PD050019	STRIKER DOOR SWITCH	1	EA	
11	000270-000	SET SCREW (NOT ORDERABLE, MUST ORDER ENDCAP)	2	EA	
12	012891-000	HANDLE,PRO	1	EA	
13	000268-000	HANDLE ENDCAP	2	EA	
NI	000268-100	HANDLE END CAP ASSY - BR	2	EA	
14	PC020278	PIVOT PL ASM RH UP PRO/DES	1	EA	
15	PD020234	SCREW THP 10-32 X .500 SS BO	1	EA	
16	005451-000	GASKET,ASM,42,SXS,FF VID# 602711807-17	1	EA	
NI	010586-000	SKIN, ASM, SXS 42 FF PROI SS	1	EA	
NI	010586-100	SKIN, ASM, SXS 42 FF PROI SS/BR	1	EA	

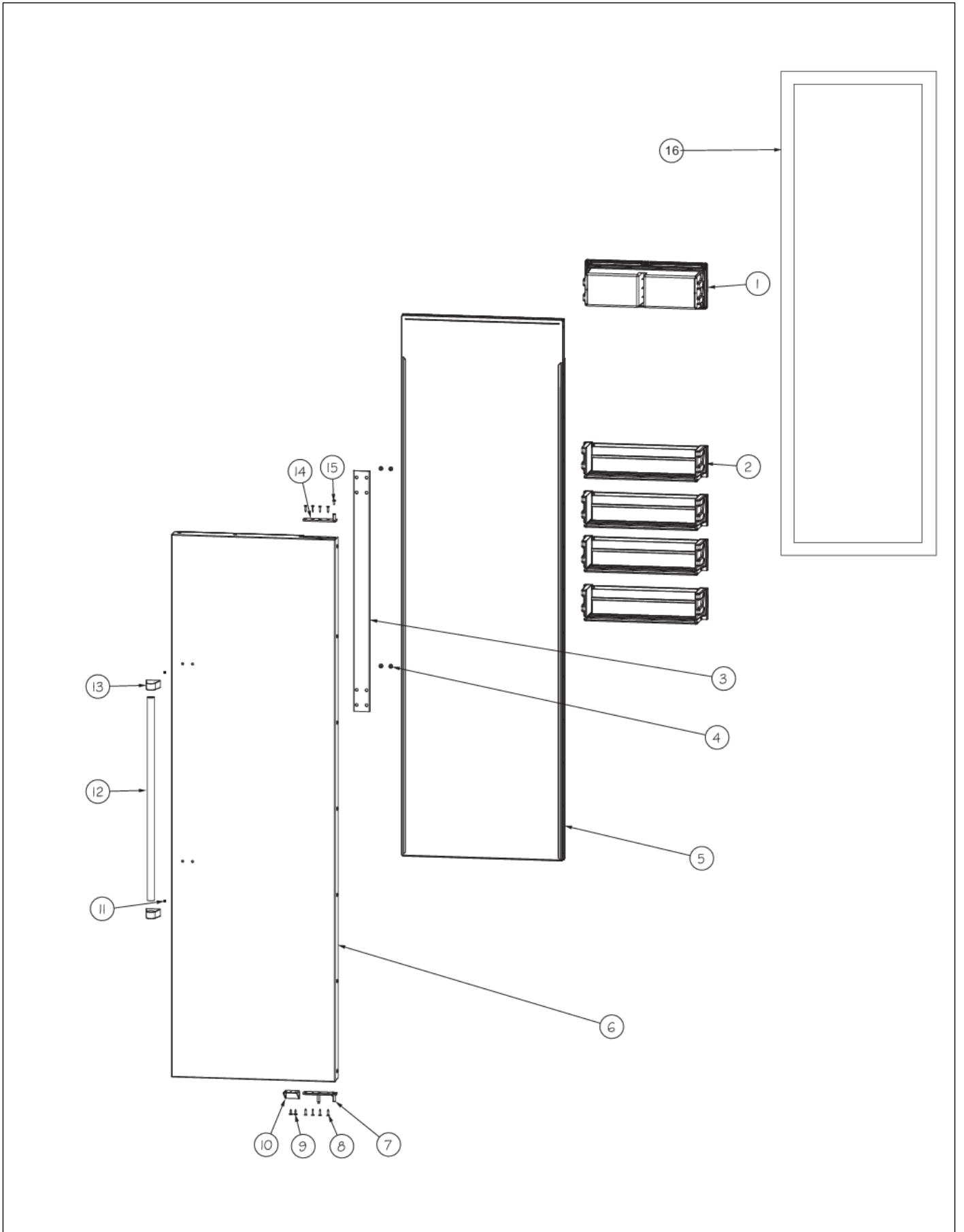




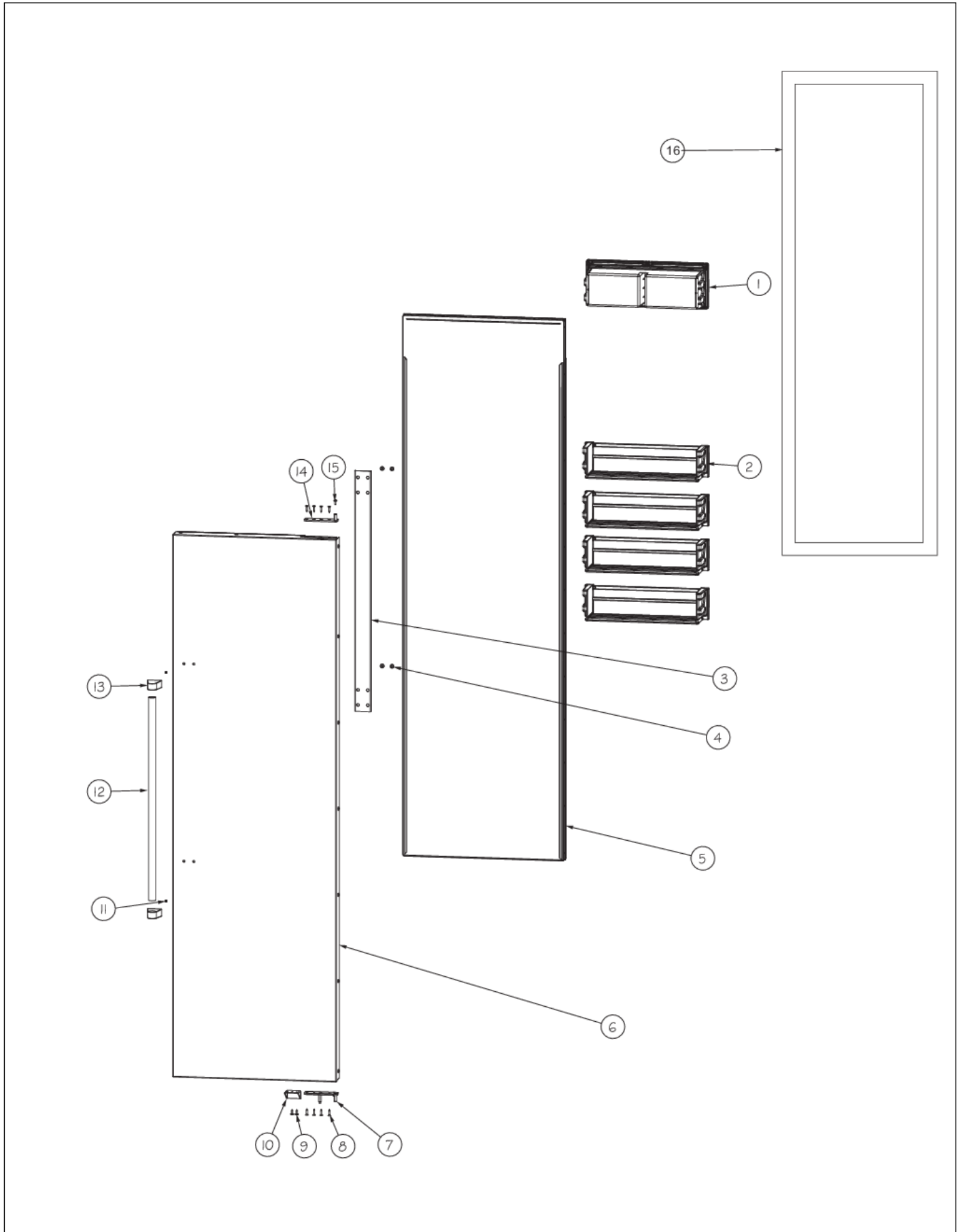
Item	Part No.	Name	Qty	Uom	NOTES
NI	009575-002	SKIN, ASM, SXS 42 FF PROI BK	1	EA	
NI	009575-003	SKIN, ASM, SXS 42 FF PROI BT	1	EA	
NI	009575-004	SKIN, ASM, SXS 42 FF PROI SG	1	EA	
NI	009575-005	SKIN, ASM, SXS 42 FF PROI GG	1	EA	
NI	009575-006	SKIN, ASM, SXS 42 PROI FF WH	1	EA	
NI	009575-007	SKIN, ASM, SXS 42 PROI FF AL	1	EA	Not available online / Call for pricing and availability
NI	009575-008	SKIN, ASM, SXS 42 FF PROI BU	1	EA	
NI	009575-009	SKIN, ASM, SXS 42 FF PROI LE	1	EA	
NI	009575-010	SKIN, ASM, SXS 42 FF PROI MJ	1	EA	
NI	009575-011	SKIN, ASM, SXS 42 PROI FF FG	1	EA	Not available online / Call for pricing and availability
NI	009575-012	SKIN, ASM, SXS 42 FF PROI VB	1	EA	
NI	009575-013	SKIN, ASM, SXS 42 FF PROI CB	1	EA	
NI	009575-014	SKIN, ASM, SXS 42 PROI FF EP	1	EA	Not available online / Call for pricing and availability
NI	009575-015	SKIN, ASM, SXS 42 FF PROI PL	1	EA	
NI	009575-016	SKIN, ASM, SXS 42 FF PROI CH	1	EA	
NI	009575-017	SKIN, ASM, SXS 42 FF PROI TP	1	EA	
NI	009575-018	SKIN, ASM, SXS 42 FF PROI CW	1	EA	
NI	009575-019	SKIN, ASM, SXS 42 PROI FF OG	1	EA	
NI	009575-020	SKIN, ASM, SXS 42 PROI FF GM	1	EA	
NI	009575-021	SKIN, ASM, SXS 42 FF PROI SA	1	EA	
NI	009575-022	SKIN, ASM, SXS 42 FF PROI SE	1	EA	
NI	009575-023	SKIN, ASM, SXS 42 FF PROI IB	1	EA	
NI	009575-024	SKIN, ASM, SXS 42 FF PROI AR	1	EA	
NI	009575-025	SKIN, ASM, SXS 42 FF PROI RR	1	EA	
NI	009575-026	SKIN, ASM, SXS 42 PROI FF PM	1	EA	
NI	009575-027	SKIN, ASM, SXS 42 PROI FF MS	1	EA	



Item	Part No.	Name	Qty	Uom	NOTES
NI	009575-102	SKIN, ASM, SXS 42 FF PROI BK/BR	1	EA	
NI	009575-103	SKIN, ASM, SXS 42 FF PROI BT/BR	1	EA	
NI	009575-104	SKIN, ASM, SXS 42 FF PROI SG/BR	1	EA	
NI	009575-105	SKIN, ASM, SXS 42 FF PROI GG/BR	1	EA	
NI	009575-106	SKIN, ASM, SXS 42 PROI FF WH/BR	1	EA	
NI	009575-107	SKIN,DOOR,SXS 42 PROI FF AL/BR	1	EA	Not available online / Call for pricing and availability
NI	009575-108	SKIN, ASM, SXS 42 FF PROI BU/BR	1	EA	
NI	009575-109	SKIN, ASM, SXS 42 FF PROI LE/BR	1	EA	
NI	009575-110	SKIN, ASM, SXS 42 FF PROI MJ/BR	1	EA	
NI	009575-111	SKIN,DOOR,SXS 42 PROI FF FG/BR	1	EA	Not available online / Call for pricing and availability
NI	009575-112	SKIN, ASM, SXS 42 FF PROI VB/BR	1	EA	
NI	009575-113	SKIN, ASM, SXS 42 FF PROI CB/BR	1	EA	
NI	009575-114	SKIN, ASM, SXS 42 PROI FF EP/BR	1	EA	Not available online / Call for pricing and availability
NI	009575-115	SKIN, ASM, SXS 42 FF PROI PL/BR	1	EA	
NI	009575-116	SKIN, ASM, SXS 42 FF PROI CH/BR	1	EA	
NI	009575-117	SKIN, ASM, SXS 42 FF PROI TP/BR	1	EA	
NI	009575-118	SKIN, ASM, SXS 42 FF PROI CW/BR	1	EA	
NI	009575-119	SKIN, ASM, SXS 42 PROI FF OG/BR	1	EA	
NI	009575-120	SKIN, ASM, SXS 42 PROI FF GM/BR	1	EA	
NI	009575-121	SKIN, ASM, SXS 42 FF PROI SA/BR	1	EA	

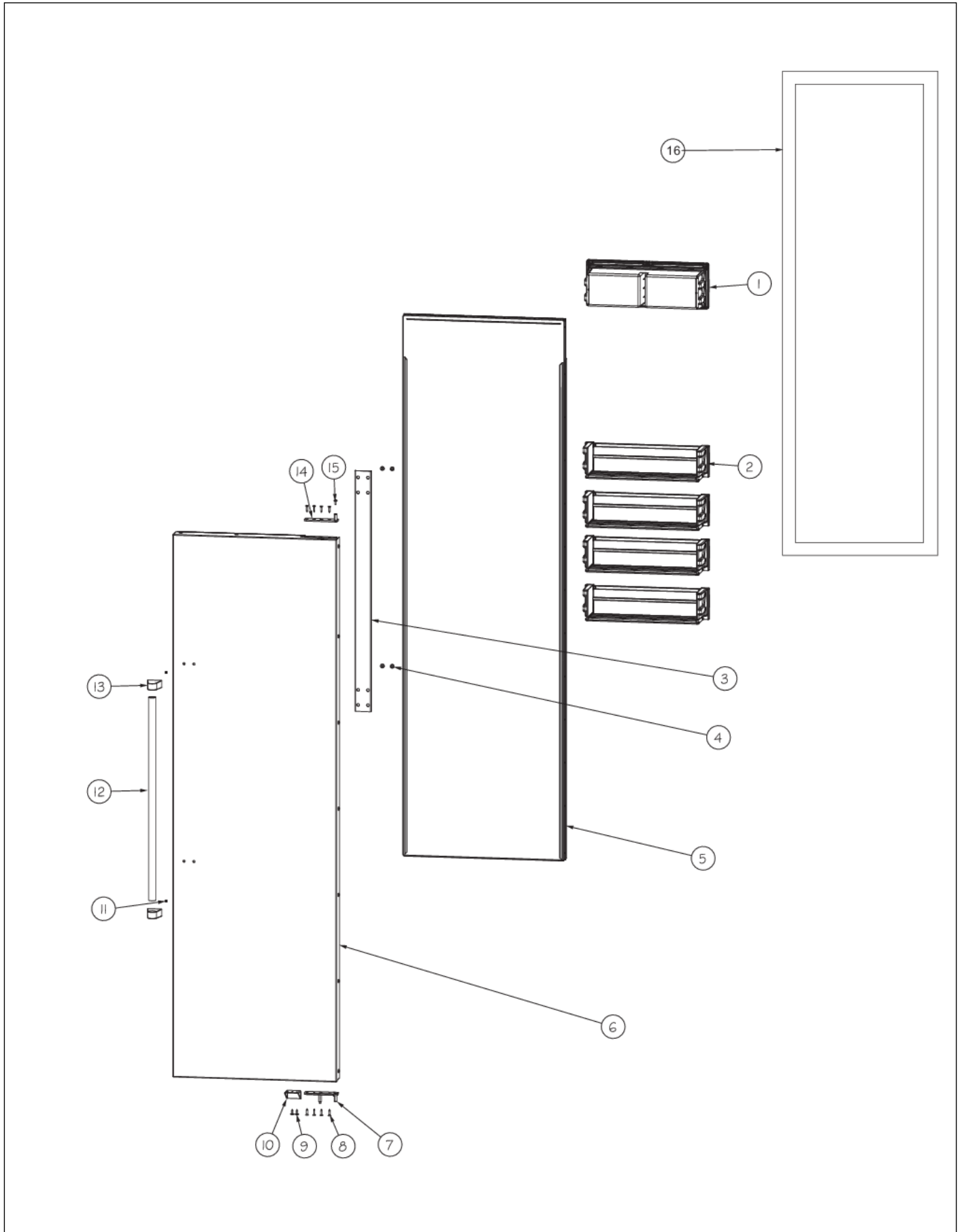


Item	Part No.	Name	Qty	Uom	NOTES
NI	009575-122	SKIN, ASM, SXS 42 FF PROI SE/BR	1	EA	
NI	009575-123	SKIN, ASM, SXS 42 FF PROI IB/BR	1	EA	
NI	009575-124	SKIN, ASM, SXS 42 FF PROI AR/BR	1	EA	
NI	009575-125	SKIN, ASM, SXS 42 FF PROI RR/BR	1	EA	
NI	009575-126	SKIN, ASM, SXS 42 PROI FF PM/BR	1	EA	
NI	009575-127	SKIN, ASM, SXS 42 PROI FF MS/BR	1	EA	
NI	010592-000	DOOR, SKIN, ASM, SXS 42 FF PROI SS	1	EA	Not available online / Call for pricing and availability
NI	010592-100	DOOR, SKIN, ASM, SXS 42 FF PROI SS BRASS	1	EA	
NI	009576-002	DOOR, ASM, SXS 42 PROI FF BK	1	EA	
NI	009576-003	DOOR, ASM, SXS 42 PROI FF BT	1	EA	
NI	009576-004	DOOR, ASM, SXS 42 PROI FF SG	1	EA	
NI	009576-005	DOOR, ASM, SXS 42 PROI FF GG	1	EA	
NI	009576-006	DOOR, ASM, SXS 42 PROI FF WH	1	EA	
NI	009576-007	DOOR ASM,SXS 42 PROI FF AL	1	EA	Not available online / Call for pricing and availability
NI	009576-008	DOOR, ASM, SXS 42 PROI FF BU	1	EA	
NI	009576-009	DOOR, ASM, SXS 42 PROI FF LE	1	EA	
NI	009576-010	DOOR, ASM, SXS 42 PROI FF MJ	1	EA	
NI	009576-011	DOOR ASM,SXS 42 PROI FF FG	1	EA	Not available online / Call for pricing and availability
NI	009576-012	DOOR, ASM, SXS, 42 PROI FF VB	1	EA	
NI	009576-013	DOOR, ASM, SXS 42 PROI FF CB	1	EA	





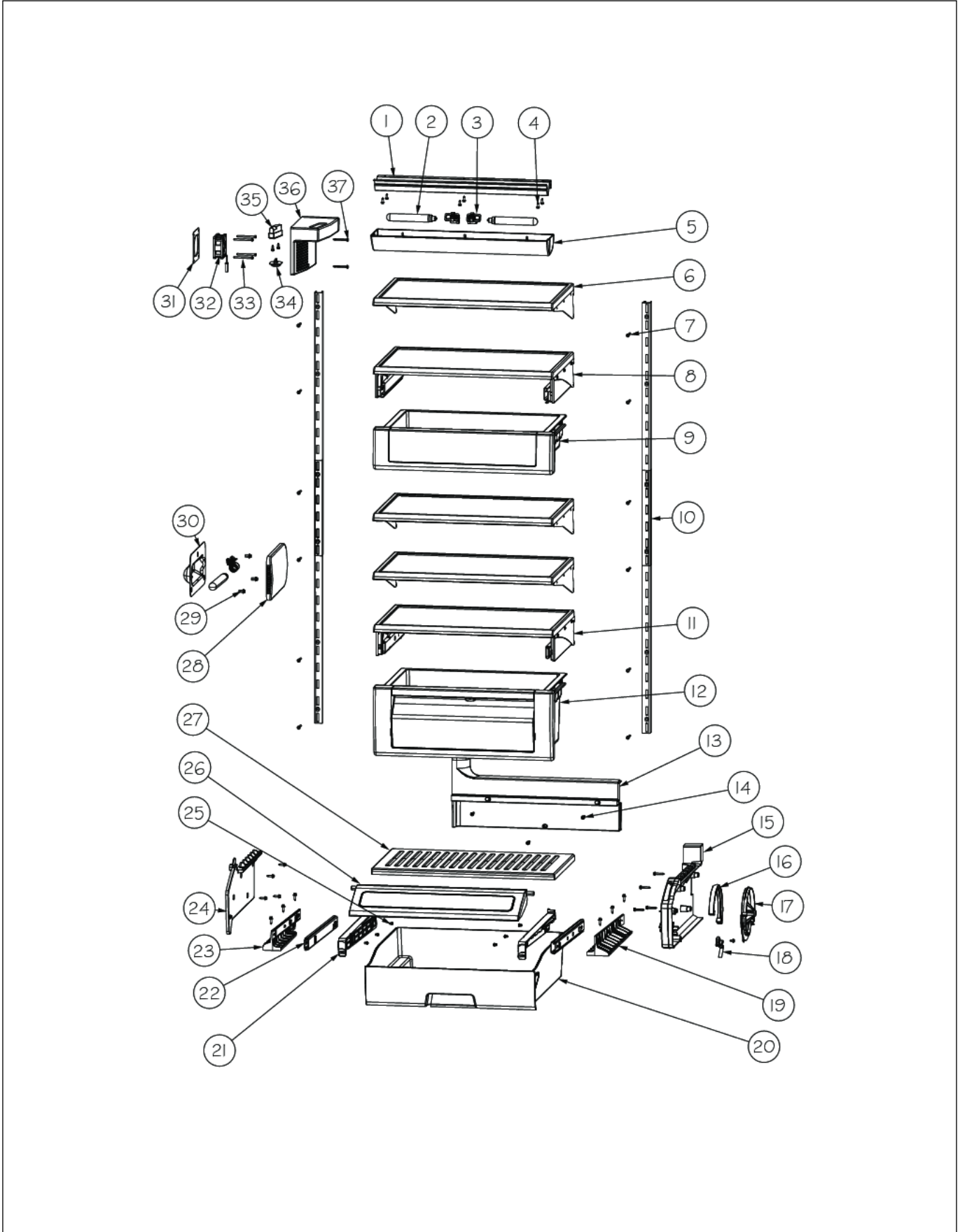
Item	Part No.	Name	Qty	Uom	NOTES
NI	009576-014	DOOR, ASM, SXS 42 PROI FF EP	1	EA	Not available online / Call for pricing and availability
NI	009576-015	DOOR, ASM, SXS 42 PROI FF PL	1	EA	
NI	009576-016	DOOR, ASM, SXS 42 PROI FF CH	1	EA	
NI	009576-017	DOOR, ASM, SXS 42 PROI FF TP	1	EA	
NI	009576-018	DOOR, ASM, SXS 42 PROI FF CW NLA	1	EA	
NI	009576-019	DOOR, ASM, SXS 42 PROI FF OG	1	EA	
NI	009576-020	DOOR, ASM, SXS 42 PROI FF GM	1	EA	
NI	009576-021	DOOR, ASM, SXS 42 PROI FF SA	1	EA	
NI	009576-022	DOOR, ASM, SXS 42 PROI FF SE	1	EA	
NI	009576-023	DOOR, ASM, SXS 42 PROI FF IB	1	EA	
NI	009576-024	DOOR, ASM, SXS 42 PROI FF AR	1	EA	
NI	009576-025	DOOR, ASM, SXS 42 PROI FF RR	1	EA	
NI	009576-026	DOOR, ASM, SXS 42 PROI FF PM	1	EA	
NI	009576-027	DOOR, ASM, SXS 42 PROI FF MS	1	EA	
NI	009576-102	DOOR, ASM, SXS 42 PROI FF BK/BR	1	EA	
NI	009576-103	DOOR, ASM, SXS 42 PROI FF BT/BR	1	EA	
NI	009576-104	DOOR, ASM, SXS 42 PROI FF SG/BR	1	EA	
NI	009576-105	DOOR, ASM, SXS 42 PROI FF GG/BR	1	EA	
NI	009576-106	DOOR, ASM, SXS 42 PROI FF WH/BR	1	EA	
NI	009576-107	DOOR ASM,SXS 42 PROI FF AL/BR	1	EA	Not available online / Call for pricing and availability





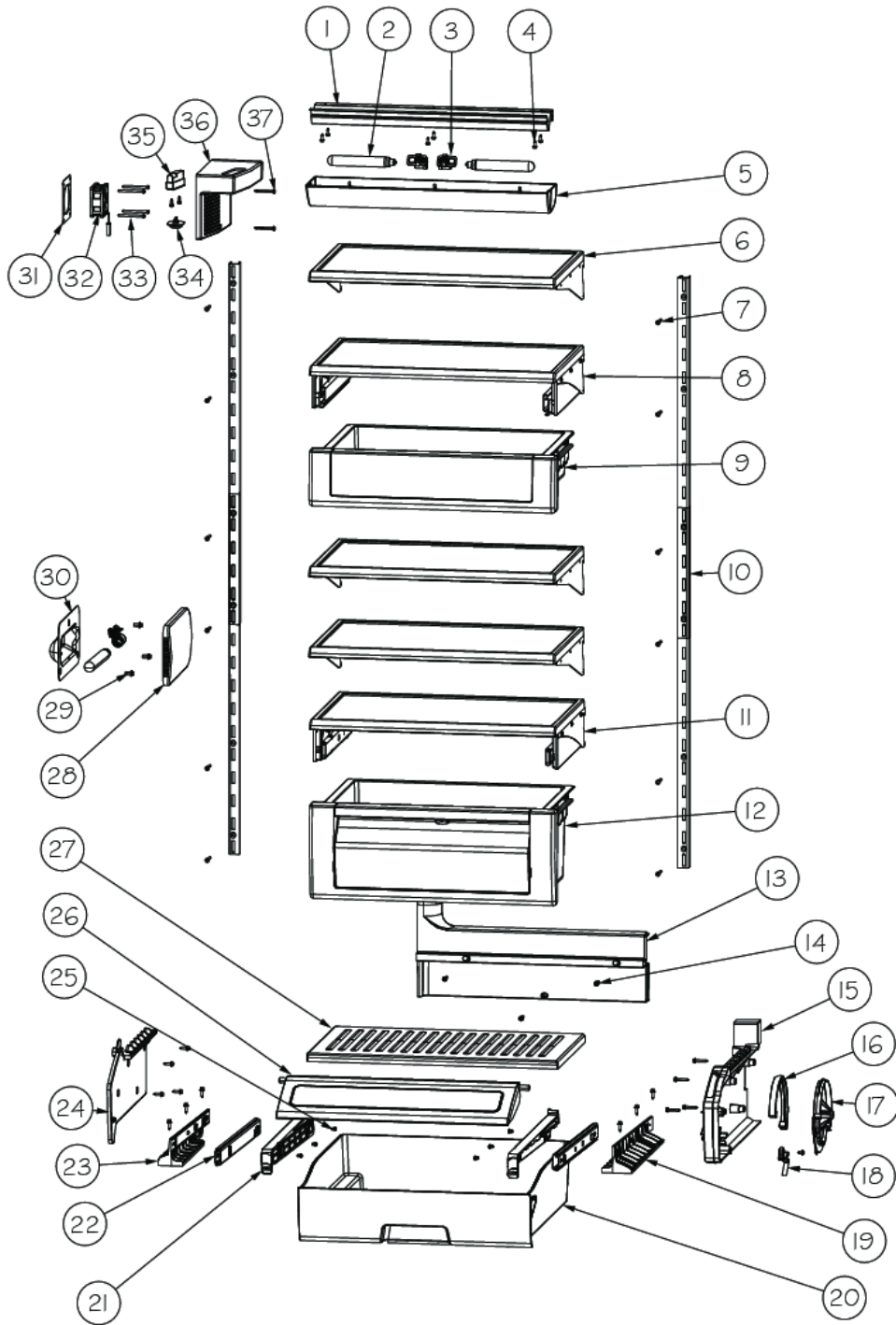
Item	Part No.	Name	Qty	Uom	NOTES
NI	009576-108	DOOR, ASM, SXS 42 PROI FF BU/BR	1	EA	
NI	009576-109	DOOR, ASM, SXS 42 PROI FF LE/BR	1	EA	
NI	009576-110	DOOR, ASM, SXS 42 PROI FF MJ/BR	1	EA	
NI	009576-111	DOOR ASM,SXS 42 PROI FF FG/BR	1	EA	Not available online / Call for pricing and availability
NI	009576-112	DOOR, ASM, SXS 42 PROI FF VB/BR	1	EA	
NI	009576-113	DOOR, ASM, SXS 42 PROI FF CB/BR	1	EA	
NI	009576-114	DOOR, ASM, SXS 42 PROI FF EP/BR	1	EA	Not available online / Call for pricing and availability
NI	009576-115	DOOR, ASM, SXS 42 PROI FF PL/BR	1	EA	
NI	009576-116	DOOR, ASM, SXS 42 PROI FF CH/BR	1	EA	
NI	009576-117	DOOR, ASM, SXS 42 PROI FF TP/BR	1	EA	
NI	009576-118	DOOR, ASM, SXS 42 PROI FF CW/BR	1	EA	
NI	009576-119	DOOR, ASM, SXS 42 PROI FF OG/BR	1	EA	
NI	009576-120	DOOR, ASM, SXS 42 PROI FF GM/BR	1	EA	
NI	009576-121	DOOR, ASM, SXS 42 PROI FF SA/BR	1	EA	
NI	009576-122	DOOR, ASM, SXS 42 PROI FF SE/BR	1	EA	
NI	009576-123	DOOR, ASM, SXS 42 PROI FF IB/BR	1	EA	
NI	009576-124	DOOR, ASM, SXS 42 PROI FF AR/BR	1	EA	
NI	009576-125	DOOR, ASM, SXS 42 PROI FF RR/BR	1	EA	
NI	009576-126	DOOR, ASM, SXS 42 PROI FF PM/BR	1	EA	
NI	009576-127	DOOR, ASM, SXS 42 PROI FF MS/BR	1	EA	

REFRIG INTERIOR ASSEMBLY





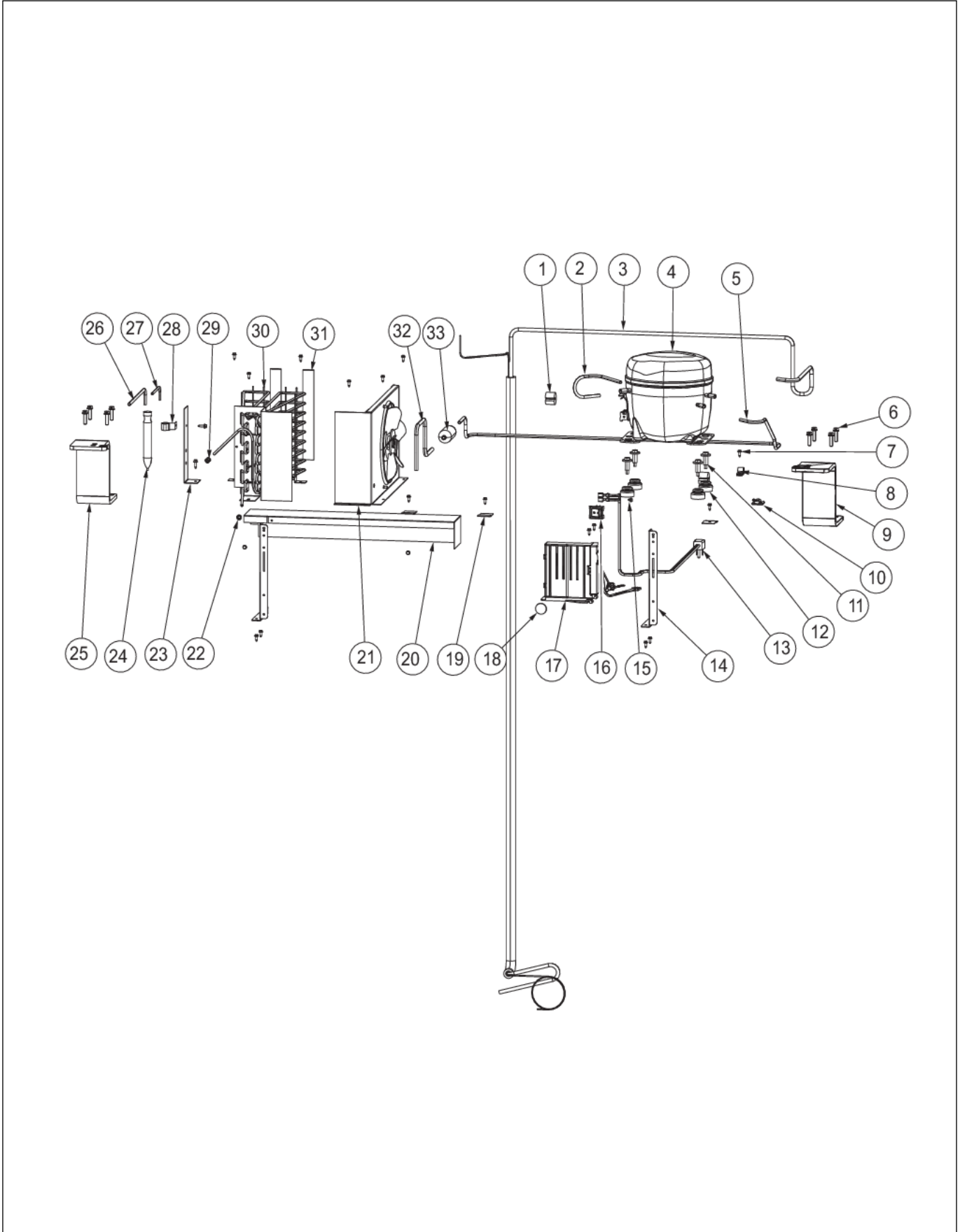
Item	Part No.	Name	Qty	Uom	NOTES
1	L2099474	BRACKET LIGHT SXS 42 FF	1	EA	Not available online / Call for pricing and availability
2	004528-000	LAMP, 40 WATT CLEAR LIGHT	3	EA	
3	PE950125	LIGHT SOCKET	3	EA	
4	PD020195	SCR 8-18 X 5/8	24	EA	
5	PK930115	COVER LIGHT ASM SXS 42 FF	1	EA	
6	043623-000	SHELF ASM GLASS 42 FF	3	EA	
7	M0238535	SCREW-SM	12	EA	
8	G5099426	SHELF AND SLIDE ASSEMBLY	1	EA	
9	G32910068	DRAWER DELI & RAIL ASM SXS 42	1	EA	
10	PM910227	LADDER RS REF	2	EA	
11	G5099965	SHELF AND SLIDE ASM SXS 42	1	EA	
12	012809-000	PRODUCE DRAWER & RAIL ASM SXS 42	1	EA	
13	PK930171	DUCT MEAT SAVOR SXS 42 REAR	1	EA	
14	M0211021	SCREW-SM	3	EA	
15	044232-000	DUCT MEAT SAVOR (R)	1	EA	
16	PK930172	COVER CONTROL MEAT SAVOR	1	EA	
17	044384-000	DIAL CONTROL MEAT SAVOR	1	EA	
18	PM910334	ROLLER TENSION	1	EA	
19	PK930173	SUPPORT SLIDE MEAT SAVOR SXS 42/48 R	1	EA	
20	PK930114	DRAWER MEAT SAVOR SXS 42	1	EA	
21	PK930176	SUPPORT DRAWER MEAT SAVOR 42/48 L	1	EA	
22	PM910288	SLIDE MEAT SAVOR L	1	EA	
<p>Comments for Part Num. PM910288</p> <p>profixappliances@gmail.com on May 3, 2017</p> <p>ITEM # 5 SHOULD BE PK930288-DOOR MEATSAVOR ASM AR/BM 36</p>					
23	PK930174	SUPPORT SLIDE MEAT SAVOR SXS 42/48 L	1	EA	
24	PK930170	DUCT MEAT SAVOR SXS 42 L	1	EA	





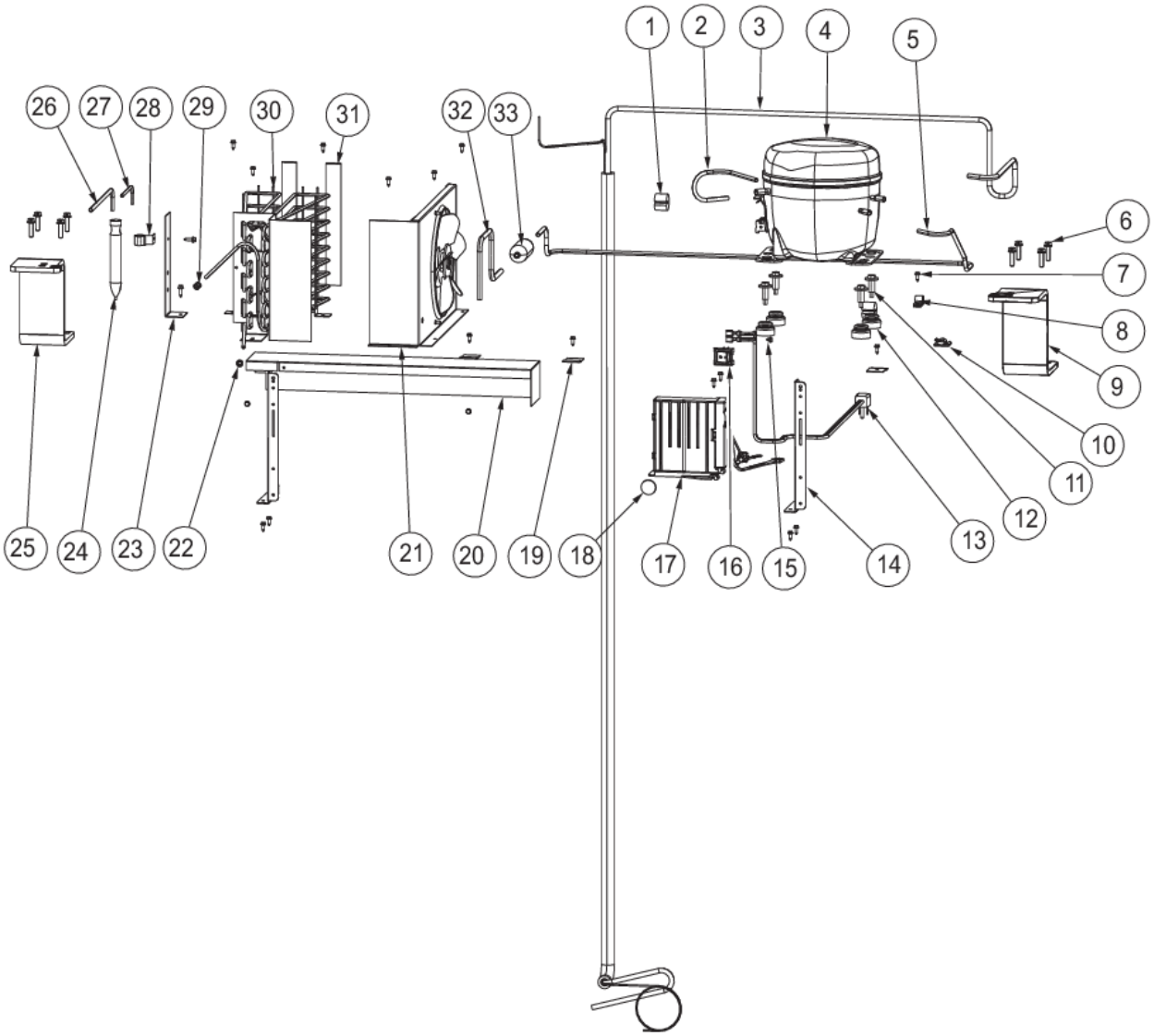
Item	Part No.	Name	Qty	Uom	NOTES
25	PD920162	SCR 8-16 PLASTITE PNP 1/4 S	2	EA	
26	045689-000	DOOR MEATSAVOR ASM SXS 42	1	EA	
27	PK930120	SHELF MEAT SAVOR SXS 42	1	EA	
28	PK930346	COVER LIGHT	1	EA	
29	M0580007	GROMMET-SCREW	3	EA	
30	10270203	HOUSING-LIGHT V10270203	1	EA	
31	007302-000	BRACKET,FAN	1	EA	
32	004551-000	AXIAL FAN	1	EA	
<p>Comments for Part Num. 004551-000</p> <p>gboltz@VikingRange.com on Jul 21, 2016</p> <p>View service bulletin TR-0052-SP before ordering fan, if applicable order kit instead of fan</p>					
33	M0221913	SCREW-SM	4	EA	
34	C8983701	THERMISTOR	1	EA	
35	010093-000	PLASMA CLUSTER	1	EA	
36	012312-000	FAN COVER SXS	1	EA	
37	PD020188	SCR 8-18 BT HXWS 1 1/2	2	EA	

SEALED SYSTEM ASSEMBLY





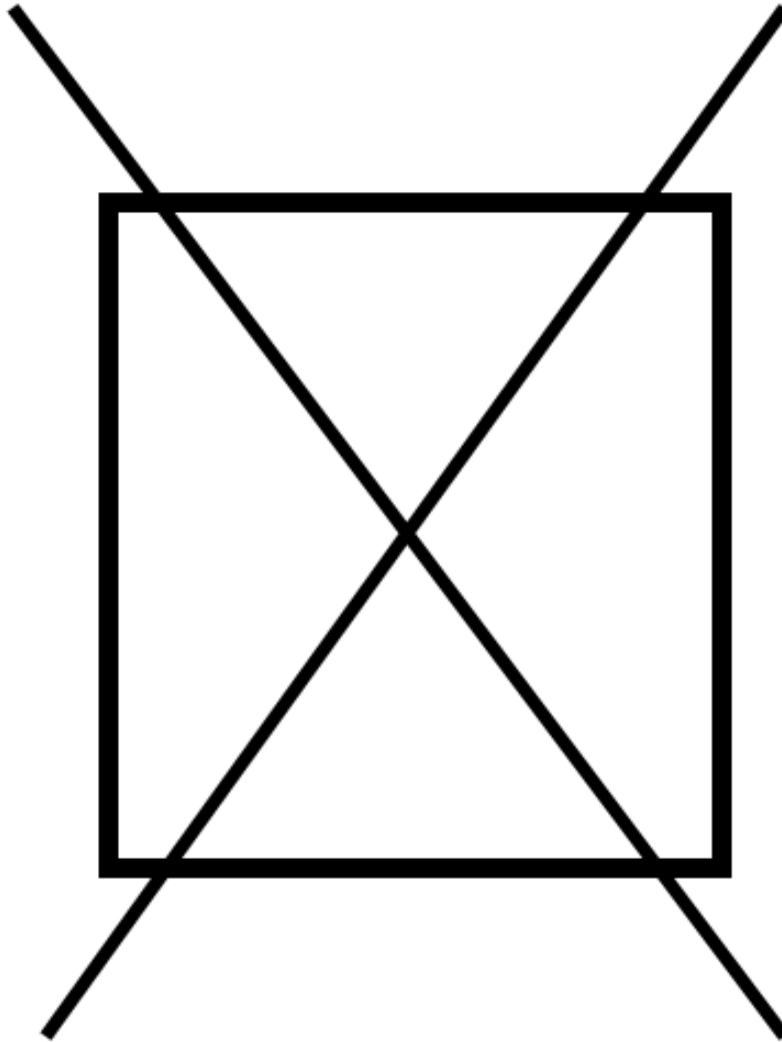
Item	Part No.	Name	Qty	Uom	NOTES
1	10699601	DAMPER-TUBING .8	2	EA	
2	F2096507	TUBE-PROCESS GRN	1	EA	
3	053308-000	HEAT EXCHANGER ASM SXS 42	1	EA	
4	PM010619	COMPRESSOR VCC AF	1	EA	
5	F2099443	TUBE DISCHARGE FORMED PRE ACCUM	1	EA	
6	000570-000	FASTENER, BOLT, 1/4-20 IHXWS 1" S ZN SER	8	EA	
7	PD020195	SCR 8-18 X 5/8	20	EA	
8	PD030118	INSULATED CLAMP	1	EA	
9	PC920203	HINGE ASM UR	1	EA	
10	M0104106	CLIP-CORD VM0104106	1	EA	
11	M0221523	SCREW - SHLDR	4	EA	
12	10835901	GROMMET RUBBER V10835901	4	EA	
13	10916507	CORD-POWER 5 SERIES	1	EA	
14	K20912569	BRACKET GRILLE SUPPORT	2	EA	
15	M0211014	SCREW-SM	1	EA	Not available online / Call for pricing and availability
16	PE950149	SWITCH POWER	1	EA	
17	011666-000	INVERTER,CMPR,ASM	1	EA	
<p>Comments for Part Num. 011666-000</p> <p>gboltz@VikingRange.com on Aug 9, 2018 See 2018-01P Parts Bulletin</p>					
18	PF930682	LABEL WARNING INVERTER	1	EA	
19	K2096943	PANEL BRACKET	3	EA	
20	K20912585	DIVERTER AIR HI SIDE SXS	1	EA	Not available online / Call for pricing and availability
21	G5096494	COND. FAN ASSY	1	EA	
22	007408-000	RING,LOK, .250 DIA	1	EA	
23	K2099454	BRACKET DRIER	1	EA	
24	PM010616	DRIER - HIGH SIDE	1	EA	





Item	Part No.	Name	Qty	Uom	NOTES
25	PC920193	HINGE ASSEM UPPER RH	1	EA	
26	F2097740	TUBE PROCESS	1	EA	
27	F2096504	TUBE-DRIER EXT	1	EA	
28	10547001	CLIP-DRIER V10547001	1	EA	
29	007407-000	RING,LOK, .187 DIA	1	EA	
30	PB920171	CONDENSER ASM	1	EA	
31	A3189370	GASKET-FOAM VA3189370	2	EA	
32	F2099444	TUBE DISCHARGE FORMED POST ACCUM	1	EA	
33	PB920201	ACCUMULATOR	1	EA	

NON
ILLUSTRATED PART





Item	Part No.	Name	Qty	Uom	NOTES
NI	040066-000	HARNESS JUMPER LOWER	1	EA	
NI	PE970464	HARNESS LOW VOLT 5 SERIES	1	EA	
NI	015365-000	HARNESS HIGH VOLT	1	EA	
NI	PE970609	HARNESS CONTROL BOARD 5 SERIES	1	EA	
NI	043051-000	Door Harness	1	EA	
NI	040078-000	HARNESS, JUMPER DISP CAVITY	1	EA	



Appendix A:Pages Index

CONTROL ASSEMBLY 1
EXTERIOR ASSEMBLY 2
FREEZER DOOR ASSEMBLY 3
FREEZER INTERIOR ASSEMBLY 4
LOW SIDE ASSEMBLY 5
LOWER UNIT ASSEMBLY 6
MC COVER AND UPPER GRILLE ASSEM 7
REFRIG DOOR ASSEMBLY 8
REFRIG INTERIOR ASSEMBLY 9
SEALED SYSTEM ASSEMBLY 10
WIRING 11



Appendix B:Parts Index

000207-002	2	009574-020	8
000268-000	3, 8	009574-021	8
000268-100	3, 8	009574-022	8
000270-000	8	009574-023	8
000570-000	6, 10	009574-024	8
000731-000	6	009574-025	8
001098-000	7	009574-026	8
001099-000	7	009574-027	8
001100-000	7	009575-002	8
003334-000	3	009575-003	8
003867-000	6	009575-004	8
004528-000	4, 9	009575-005	8
004551-000	4, 9	009575-006	8
005319-000	1	009575-007	8
005396-000	1	009575-008	8
005451-000	8	009575-009	8
005453-000	3	009575-010	8
007302-000	4, 9	009575-011	8
007407-000	10	009575-012	8
007408-000	10	009575-013	8
007514-000	8	009575-014	8
007521-000	3	009575-015	8
009574-002	8	009575-016	8
009574-003	8	009575-017	8
009574-004	8	009575-018	8
009574-005	8	009575-019	8
009574-006	8	009575-020	8
009574-007	8	009575-021	8
009574-008	8	009575-022	8
009574-009	8	009575-023	8
009574-010	8	009575-024	8
009574-011	8	009575-025	8
009574-012	8	009575-026	8
009574-013	8	009575-027	8
009574-014	8	009575-102	8
009574-015	8	009575-103	8
009574-016	8	009575-104	8
009574-017	8	009575-105	8
009574-018	8	009575-106	8
009574-019	8	009575-107	8
		009575-108	8



009575-109	8	009576-024	8
009575-110	8	009576-025	8
009575-111	8	009576-026	8
009575-112	8	009576-027	8
009575-113	8	009576-102	8
009575-114	8	009576-103	8
009575-115	8	009576-104	8
009575-116	8	009576-105	8
009575-117	8	009576-106	8
009575-118	8	009576-107	8
009575-119	8	009576-108	8
009575-120	8	009576-109	8
009575-121	8	009576-110	8
009575-122	8	009576-111	8
009575-123	8	009576-112	8
009575-124	8	009576-113	8
009575-125	8	009576-114	8
009575-126	8	009576-115	8
009575-127	8	009576-116	8
009576-002	8	009576-117	8
009576-003	8	009576-118	8
009576-004	8	009576-119	8
009576-005	8	009576-120	8
009576-006	8	009576-121	8
009576-007	8	009576-122	8
009576-008	8	009576-123	8
009576-009	8	009576-124	8
009576-010	8	009576-125	8
009576-011	8	009576-126	8
009576-012	8	009576-127	8
009576-013	8	009580-002	3
009576-014	8	009580-003	3
009576-015	8	009580-004	3
009576-016	8	009580-005	3
009576-017	8	009580-006	3
009576-018	8	009580-007	3
009576-019	8	009580-008	3
009576-020	8	009580-009	3
009576-021	8	009580-010	3
009576-022	8	009580-011	3
009576-023	8	009580-012	3



009580-013	3	009582-027	3
009580-014	3	009582-100	3
009580-015	3	009582-102	3
009580-016	3	009582-103	3
009580-017	3	009582-104	3
009580-018	3	009582-105	3
009580-019	3	009582-106	3
009580-020	3	009582-107	3
009580-021	3	009582-108	3
009580-022	3	009582-109	3
009580-023	3	009582-110	3
009580-024	3	009582-111	3
009580-025	3	009582-112	3
009580-026	3	009582-113	3
009580-027	3	009582-114	3
009582-000	3	009582-115	3
009582-002	3	009582-116	3
009582-003	3	009582-117	3
009582-004	3	009582-118	3
009582-005	3	009582-119	3
009582-006	3	009582-120	3
009582-007	3	009582-121	3
009582-008	3	009582-122	3
009582-009	3	009582-123	3
009582-010	3	009582-124	3
009582-011	3	009582-125	3
009582-012	3	009582-126	3
009582-013	3	009582-127	3
009582-014	3	009631-000	3
009582-015	3	010093-000	9
009582-016	3	010488-000	1
009582-017	3	010581-000	8
009582-018	3	010586-000	8
009582-019	3	010586-100	8
009582-020	3	010592-000	8
009582-021	3	010592-100	8
009582-022	3	010615-000	3
009582-023	3	011666-000	10
009582-024	3	012312-000	9
009582-025	3	012809-000	9
009582-026	3	012891-000	3, 8



013327-000	8	12258501	4
013328-000	3	40370P01	2
013682-000	3	A3030361	1
013685-000	3	A3189370	5, 10
014334-000	6	A4554806	6, 7
014808-000	6	A4554817	1, 6
015160-000	3	B10910081	3
015365-000	1, 11	B20911863	4
015813-000	4	B20915627	6
016182-000	3, 8	B20916337	7
019144-000	4	B20916338	7
020117-000	4	B2096961	7
029418-000	4	B8385402	3
036579-000	3	C20910027	4
036580-000	3	C8983701	5, 9
036888-000	3	C90914113WH	4
036890-000	8	C9097789BK	2
040066-000	6, 11	F20915693	6
040078-000	11	F2096504	10
041624-000	3	F2096507	10
041669-000	6	F2097740	10
043051-000	11	F2099443	10
043156-000	4	F2099444	10
043623-000	9	G32910068	9
044232-000	9	G32913791	6
044370-000	6	G32914174	6
044384-000	9	G32915704	6
045689-000	9	G50911853	6
053308-000	5, 10	G50914155	3
058966-000	5	G50915900	7
10270203	4, 9	G5096494	10
10276601	4	G5098660	5
10428101	5	G5099426	9
10527401	5	G5099965	9
10547001	10	K20910060	1
10623003	5	K20910061	1
10629001	5	K20911831	6
10699601	10	K20912569	10
10835901	10	K20912585	10
10916507	10	K20915000	1
12064001	1	K20915675	7



K20915952	6	M0288120	1
K20916342	7	M0580007	4, 9
K2096456	5	M0585504	1
K2096457	5	M0585506	1
K2096458	5	PB020294	6
K2096461	5	PB020301	6
K2096943	10	PB020303	6
K2098044	6	PB070355	7
K2098096	6	PB070360	7
K2098654	1	PB920171	10
K2099402	1	PB920201	10
K2099454	10	PB970171	7
K2099455	7	PB970176	4
K2099458	7	PC010022	3
K2099459	7	PC020278	8
K2099460	7	PC020279	3
K2099461	7	PC020288	6
L20910067	4	PC020289	6
L20914124WH	6	PC040010	1, 1, 6, 7
L2097158WH	4	PC910015	6
L2097181	5	PC920144	6
L2097182	5	PC920145	6
L2099474	9	PC920149	6
L2099475	4	PC920166	6
M0104102	6	PC920193	10
M0104106	1, 6, 10	PC920203	10
M0204303	3, 8	PD020010	6
M0210443	2, 3	PD020013	1, 6
M0210458	3, 8	PD020043	3
M0211014	5, 10	PD020188	4, 9
M0211021	4, 9	PD020191	4
M0213503	4	PD020193	3
M0215318	2, 3	PD020194	1, 4, 5, 6, 7
M0220417	6, 7	PD020195	9, 10
M0221523	6, 10	PD020233	7
M0221913	4, 9	PD020234	3, 6, 8
M0224128	1	PD020274	6
M0238535	4, 9	PD030118	10
M0238846	1	PD030146	6
M0253916	6	PD040071	3
M0270546	3	PD040157	7



PD050019	3, 8	PK930172	9
PD920162	9	PK930173	9
PD920174	3, 8	PK930174	9
PD940090	6	PK930176	9
PD940091	6	PK930230	1
PD940094	6	PK930264	4
PD940107	6	PK930265	4
PE010030	3	PK930266	4
PE010031	3	PK930346	4, 9
PE010068	3	PK930348	6
PE010076	3	PK930404	3
PE050248	6	PM010616	10
PE070728	1	PM010619	10
PE070755	3	PM910190	4
PE950125	4, 9	PM910206	5
PE950146	6	PM910227	9
PE950147	6	PM910231	4
PE950149	10	PM910288	9
PE950152	3	PM910331C	4
PE950158	4	PM910334	9
PE970464	1, 11	PM910375	4
PE970609	1, 11	PM910398	6
PF031267	6	PM910399	6
PF930654	6	PM910411	4
PF930672	1	PM910435	4
PF930682	10		
PJ910031	5		
PK030470	3		
PK050004	7		
PK920066	2		
PK930074	4		
PK930075	4		
PK930096	4		
PK930107	4		
PK930114	9		
PK930115	9		
PK930120	9		
PK930123	8		
PK930150	5		
PK930170	9		
PK930171	9		