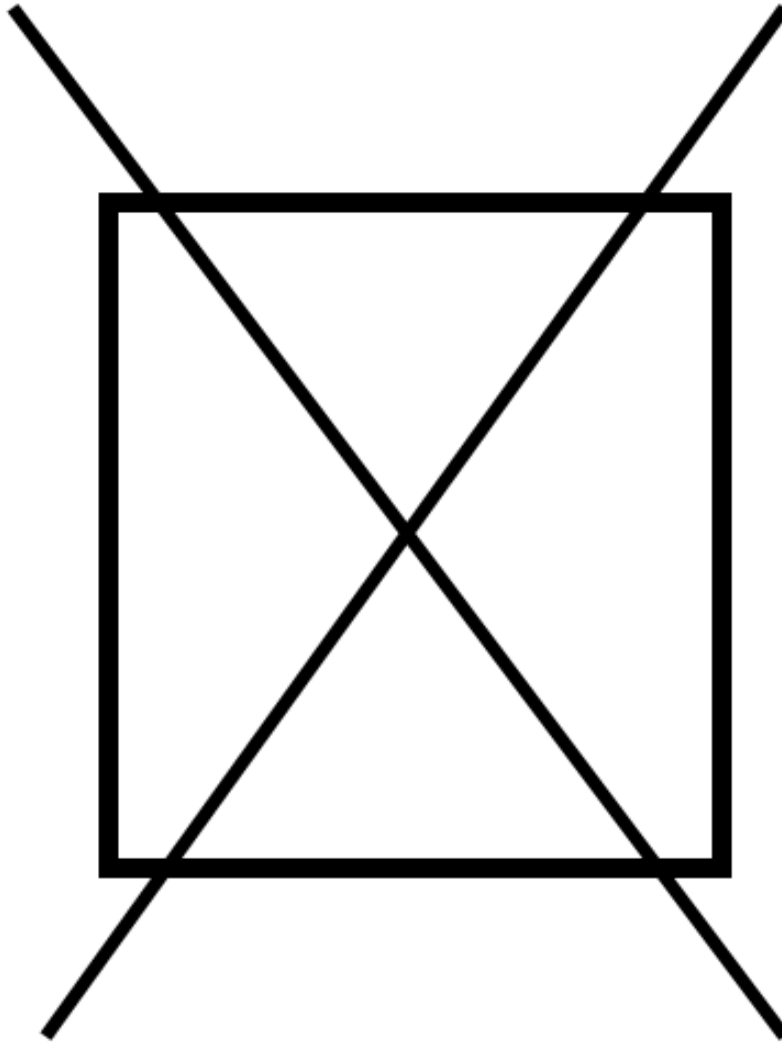


VISB483DJMAG-RSERIES

040066-000 HARNESS LOWER JUMPER	1
040078-000 HARNESS DISP CAVITY	2
040085-000 HARNESS MAIN	3
10916507 POWER CORD	4
CONTROL AREA	5
CONVERTIBLE MEAT SAVER	6
DELI DRAWER	7
DISP AREA	8
EVAPORATOR AREA	9
FREEZER COMPARTMENT	10
FREEZER DOOR FOAM AREA	11
FREEZER DOOR SKIN AREA	12
FREEZER SHELVING	13
ICE MAKER AREA	14
LOWER UNIT AREA	15
MC COVER AND GRILLE AREA	16
PE070785 HIGH VOLT HARNESS	17
PE970464 LOW VOLT HARNESS	18
PE970595 MACHINE HARNESS	19
PE970609 CONTROL BOARD HARNESS	20
PRODUCE DRAWER	21
REFRIGERANT SYSTEM	22
REFRIGERATOR COMPARTMENT	23
REFRIGERATOR DOOR FOAM AREA	24
REFRIGERATOR DOOR SKIN AREA	25
REFRIGERATOR SHELVING	26
UNIT EXTERIOR	27
UPPER UNIT AREA	28
WATER SYSTEM	29
Appendix A:Pages Index	A
Appendix B:Parts Index	B

040066-000 HARNESS LOWER JUMPER

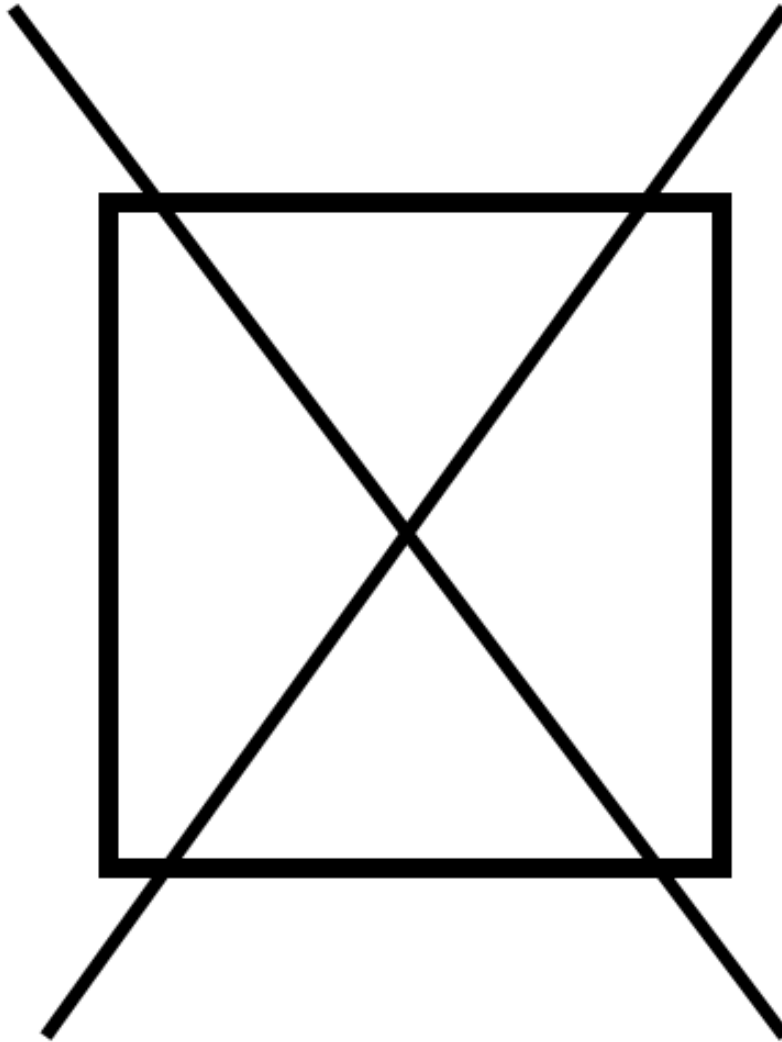
NON
ILLUSTRATED PART





Item	Part No.	Name	Qty	Uom	NOTES
1	040066-000	HARNESS JUMPER LOWER	1	EA	

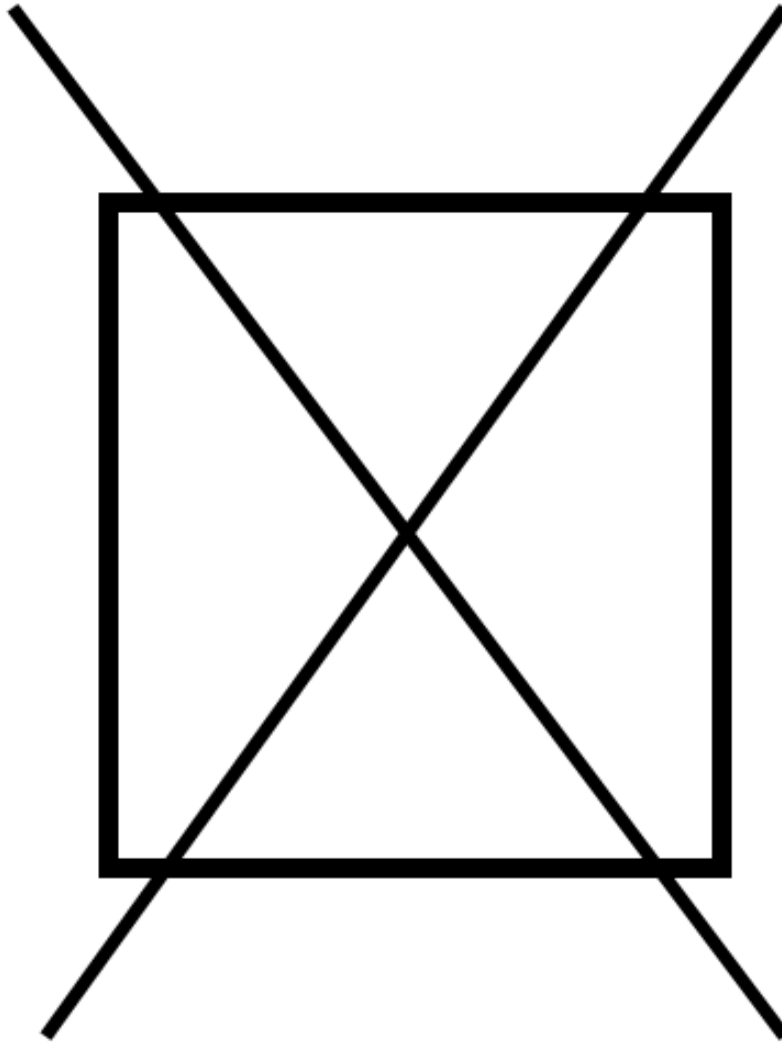
NON
ILLUSTRATED PART





Item	Part No.	Name	Qty	Uom	NOTES
1	040078-000	HARNESS, JUMPER DISP CAVITY	1	EA	

NON
ILLUSTRATED PART

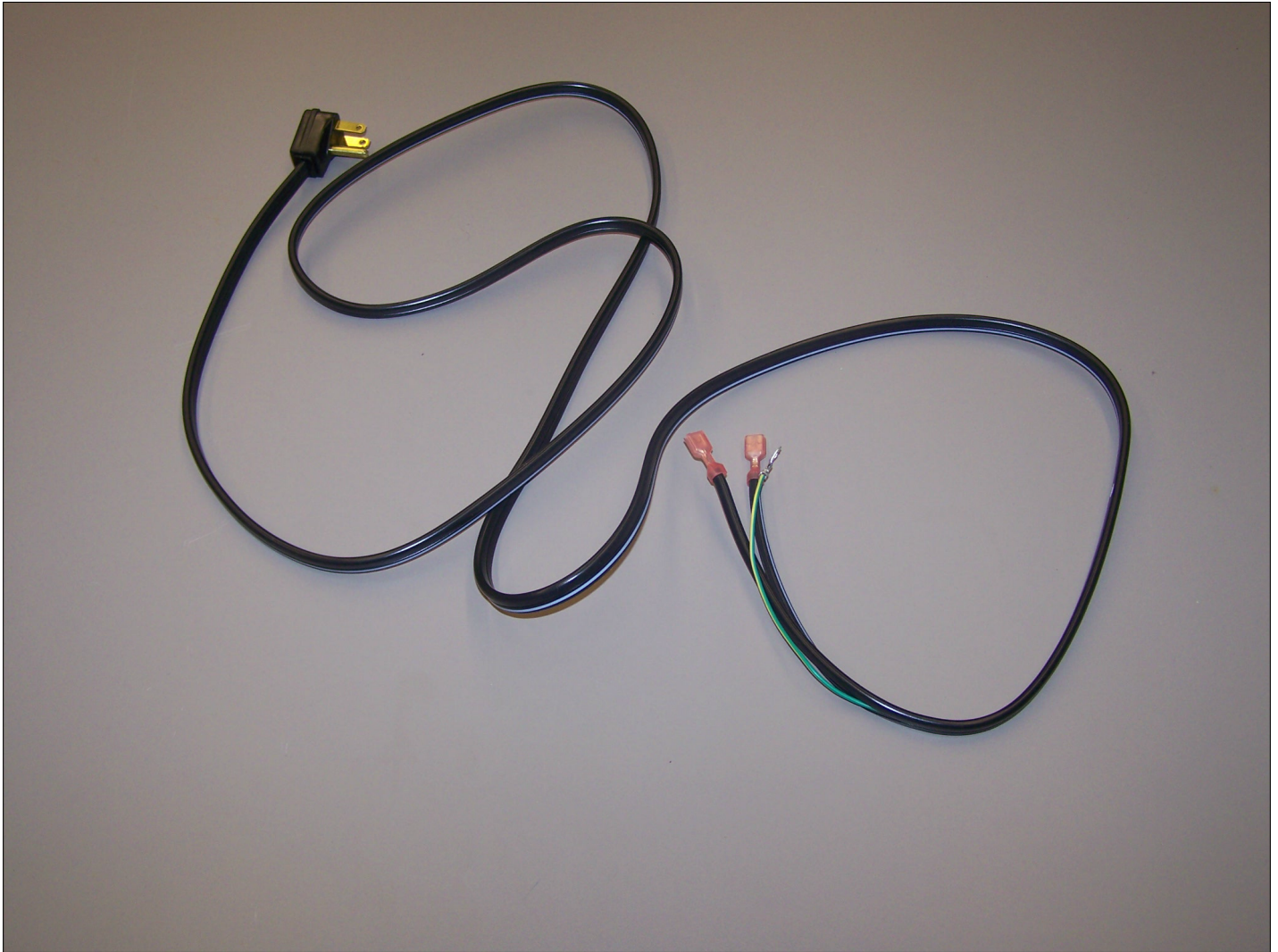




Item	Part No.	Name	Qty	Uom	NOTES
1	043051-000	Door Harness	1	EA	



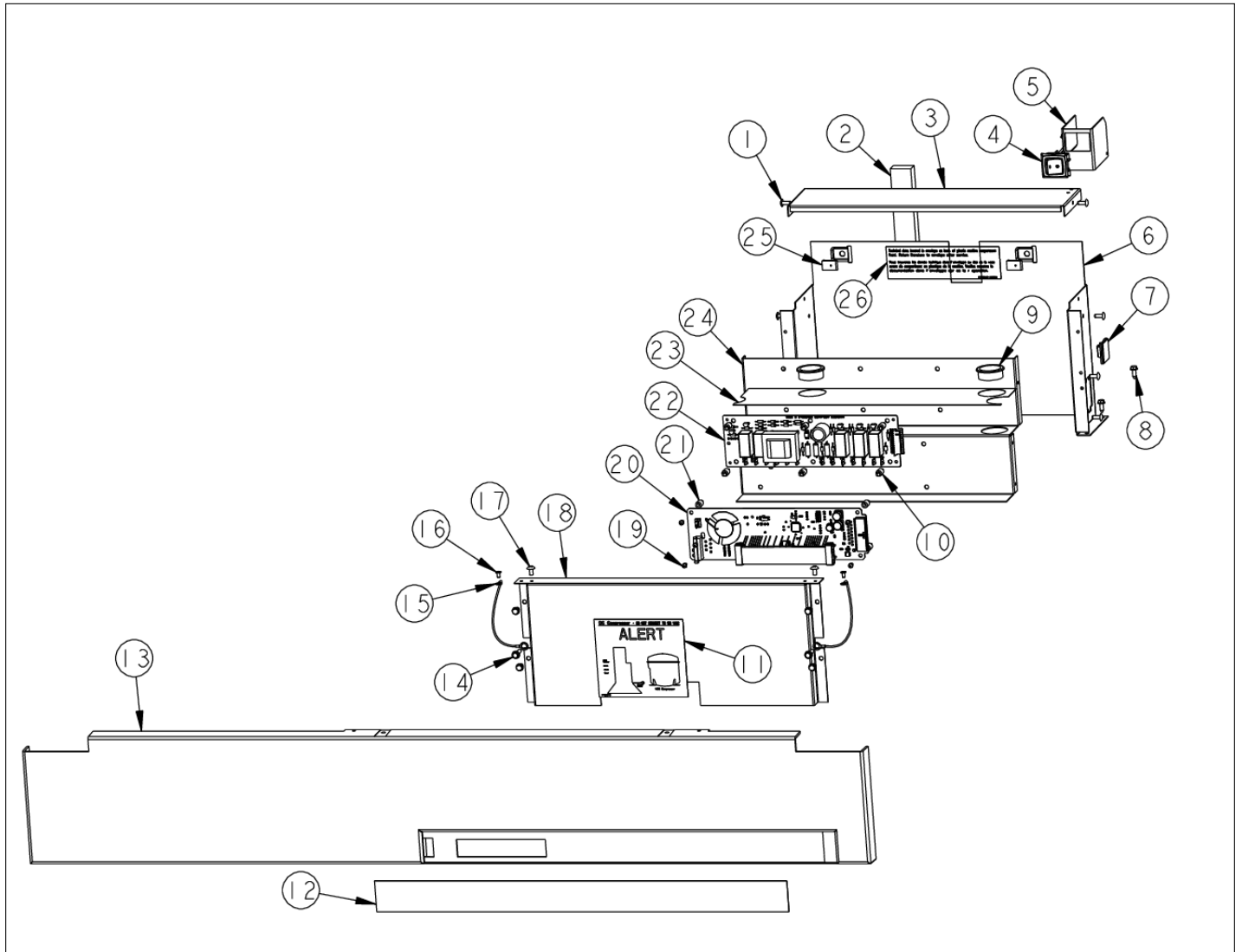
10916507 POWER CORD





Item	Part No.	Name	Qty	Uom	NOTES
1	10916507	CORD-POWER 5 SERIES	1	EA	

CONTROL AREA





Item	Part No.	Name	Qty	Uom	NOTES
1	PC040010	POP RIVET (.063/GR -.125) GAMD42-A	1	EA	
2	A3030361	GASKET RED	1	EA	
3	K20915000	CONTROL BOX TOP	1	EA	
4	PE950149	SWITCH POWER	1	EA	
5	K2098654	Bracket, Power Switch	1	EA	
6	K2099402	CONTROL BOX	1	EA	
7	M0104106	CLIP-CORD VM0104106	1	EA	
8	PD020194	SCR, HEX SRTD WSHR HD, #8- 18 X 1/2	1	EA	
9	A4554817	BUSHING-SNAP VA4554817	1	EA	
10	M0585504	SUPPORT	1	EA	
11	PF930672	LABEL DC COMPRESSOR	1	EA	
12	PE950172	OVERLAY SWITCH SXS 48 NON - DISP	1	EA	
13	016593-000	PANEL CONTROL SXS 48	1	EA	
14	M0238846	SCREW-SHLDR	1	EA	
15	12064001	SUPP-CONT PANEL	1	EA	
16	PC040010	POP RIVET (.063/GR -.125) GAMD42-A	1	EA	
17	M0224128	SCREW-SM	1	EA	
18	K20910061	CONTROL BOX FRONT	1	EA	
19	PD020013	TYPE "AB" #6 X 3/8 PH PAN HD. SMS	1	EA	
20	PE070728	BOARD LOW VOLTAGE	1	EA	

Comments for Part Num. PE070728

bradleysapplianceservice@shaw.ca on Apr 27, 2016

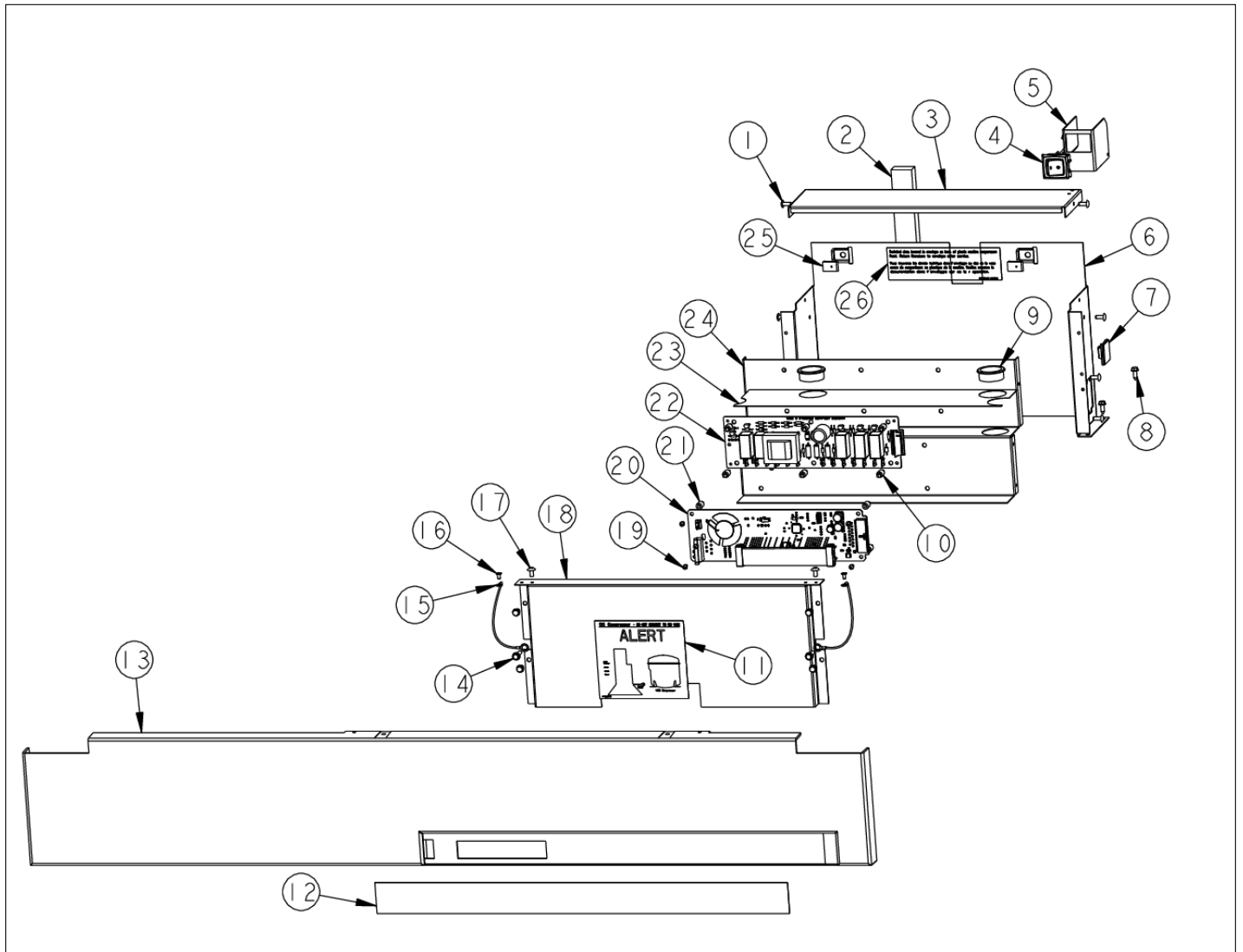
COULD ALSO USE: 002670-000 LOW VOLTAGE BOARD KIT ANALOG - INCLUDES WIRE HARNESS

21	M0585506	SUPPORT	1	EA	
22	005319-000	POWER CONTROL BOARD ASM 5 SERIES	1	EA	

Comments for Part Num. 005319-000

boltz on Apr 12, 2018

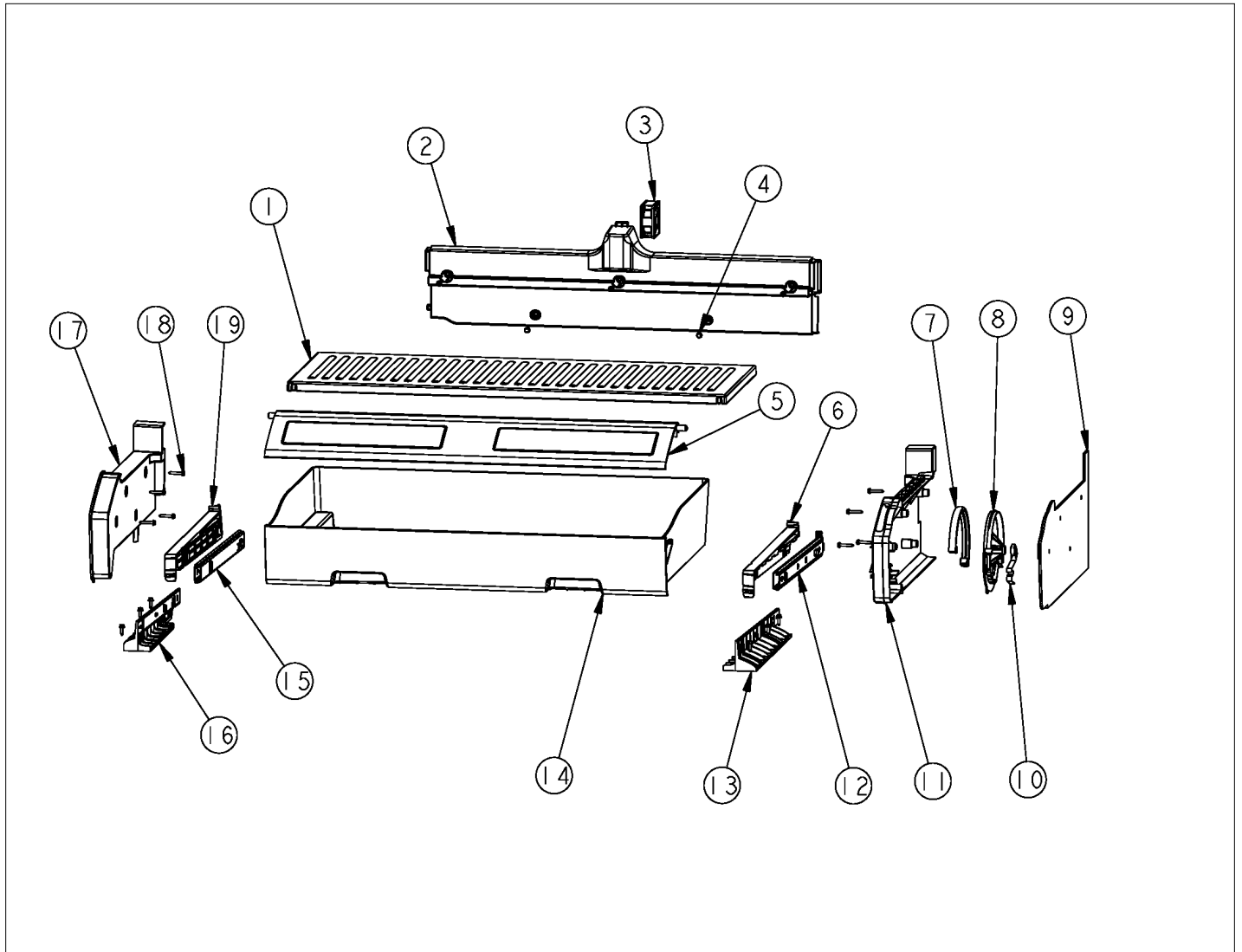
See TR-0056-SP Bulletin





Item	Part No.	Name	Qty	Uom	NOTES
23	PM910325	FILM, PROTECTIVE	1	EA	
24	K20910060	BRACKET - PC	1	EA	
25	M0288120	NUT-SPEED VM0288120	1	EA	
26	PF930487	TECH LITERATURE LABEL - 2	1	EA	

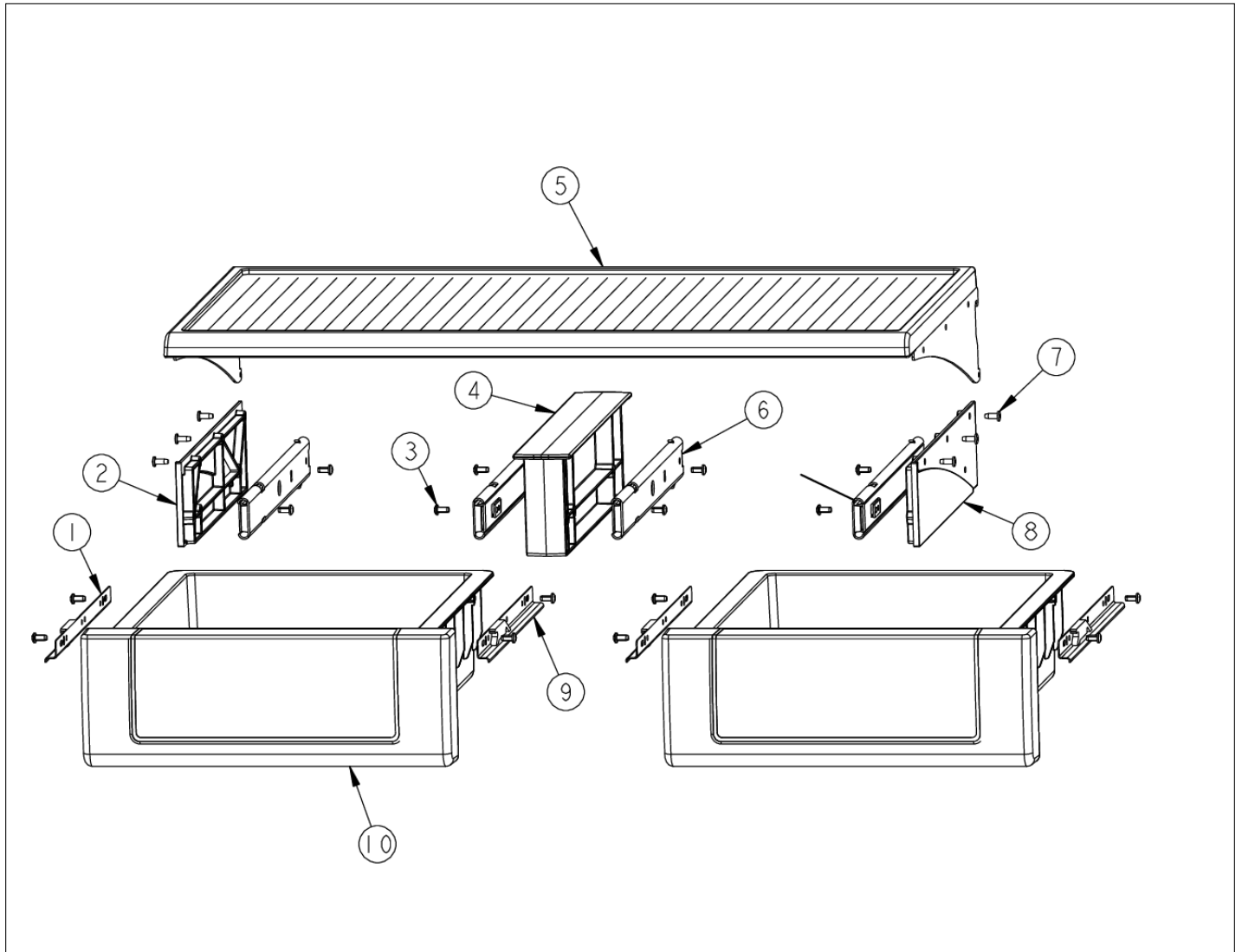
CONVERTIBLE MEAT SAVER





Item	Part No.	Name	Qty	Uom	NOTES
1	PK930308	SHELF MEAT SAVOR AR 30 SXS 48		EA	
2	PK930307	DUCT MEAT SAVOR AR 30 SXS 48		EA	
3	004551-000	AXIAL FAN		EA	
<p>Comments for Part Num. 004551-000</p> <p>gboltz@VikingRange.com on Jul 21, 2016</p> <p>View service bulletin TR-0052-SP before ordering fan, if applicable order kit instead of fan</p>					
4	PD020195	SCR 8-18 X 5/8		EA	
5	045692-000	DOOR MEATSAVOR ASM AR 30 SXS 48		EA	
6	PK930175	SUPPORT DRAWER MEAT SAVOR SXS 42/48 R		EA	
7	PK930172	COVER CONTROL MEAT SAVOR		EA	
8	044384-000	DIAL CONTROL MEAT SAVOR		EA	
9	PK930283	DUCT MEATSAVOR SPACER		EA	
10	PM910334	ROLLER TENSION		EA	
11	044232-000	DUCT MEAT SAVOR (R)		EA	
12	PM910287	SLIDE MEAT SAVOR R		EA	
13	PK930173	SUPPORT SLIDE MEAT SAVOR SXS 42/48 R		EA	
14	PK930309	DRAWER MEAT SAVOR AR 30 SXS 48		EA	
15	PM910288	SLIDE MEAT SAVOR L		EA	
<p>Comments for Part Num. PM910288</p> <p>profixappliances@gmail.com on May 3, 2017</p> <p>ITEM # 5 SHOULD BE PK930288-DOOR MEATSAVOR ASM AR/BM 36</p>					
16	PK930174	SUPPORT SLIDE MEAT SAVOR SXS 42/48 L		EA	
17	PK930284	DUCT MEATSAVOR LEFT		EA	
18	M0211021	SCREW-SM		EA	
19	PK930176	SUPPORT DRAWER MEAT SAVOR 42/48 L		EA	

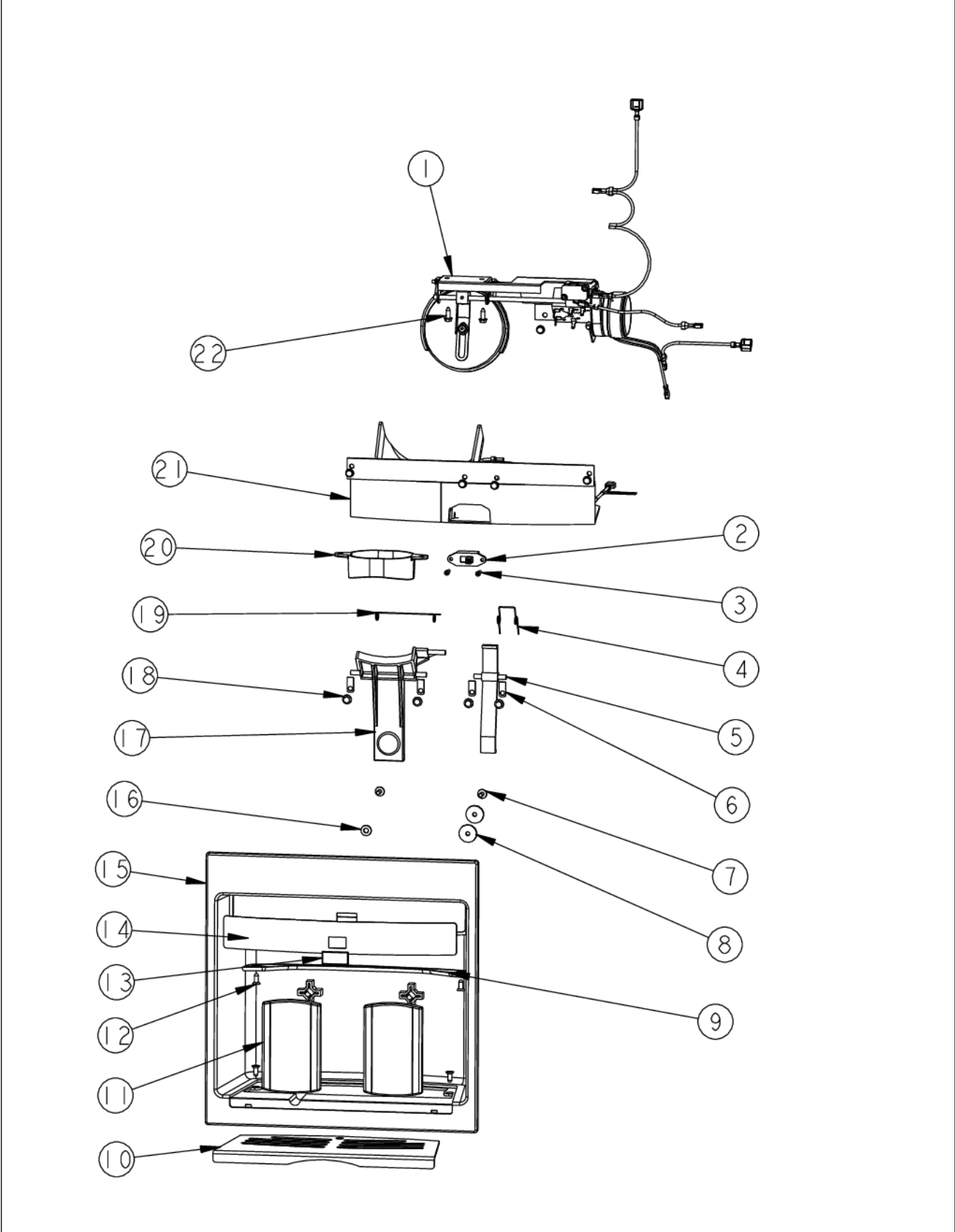
DELI DRAWER





Item	Part No.	Name	Qty	Uom	NOTES
1	PM910342	RAIL DRAWER L	1	EA	
2	044219-000	SUPPORT SLIDER L	1	EA	
3	PD920161	SCR 8-16 PLASTITE PNP 3/8 S	1	EA	
4	PK030439	GLIDE CENTER SUPPORT	1	EA	
5	043624-000	SHELF ASM GLASS 30 AR 48 FF	1	EA	
6	046255-000	SLIDE, DWR, SOFT CLOSE, LH	2	EA	
7	PD020032	SRW-8(A)X3/8"PH.WFR HD 7/16DIA*NICL	1	EA	
8	044214-000	SUPPORT SLIDER R	1	EA	
9	PM910343	RAIL DRAWER R	1	EA	
10	PK930305	DRAWER DELI AR 30 SXS 48	2	EA	
11	046235-000	SLIDE, DWR, SOFT CLOSE-RH	2	EA	

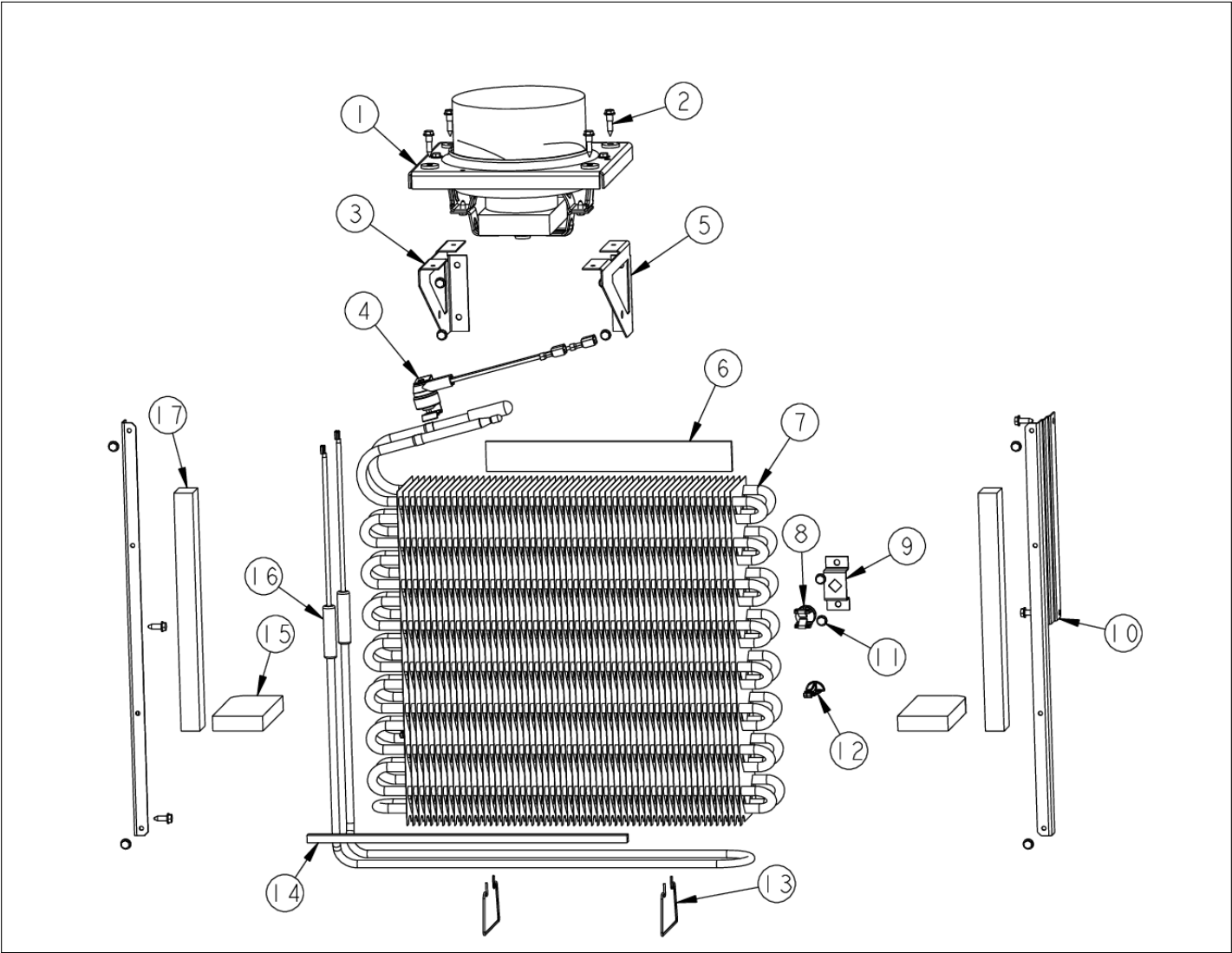
DISP AREA





Item	Part No.	Name	Qty	Uom	NOTES
1	G50914155	ICE DISPENSER MODULE ASM	1	EA	
2	013685-000	SLIDE SWITCH CAP (GRAY)	1	EA	
3	00334-000	SCREW, #4-24 X 1/2	1	EA	Not available online / Call for pricing and availability
4	B8385402	SPRING-RETURN	1	EA	
5	PK930404	ARM WATER ACTUATOR	1	EA	
6	B10910081	DISP RETAINER ICE ARM	1	EA	
7	M0210443	SCREW-E SM VM0210443	1	EA	
8	M0270546	WASHER	1	EA	
9	V12268304	STOP E FACADE (BLK)	1	EA	
10	PB980026	Spill Tray	1	EA	
11	V12221005	PAD - E ACTUATOR (BLK)	1	Wholesale Price	
12	M0215318	SCREW-SM	1	EA	
13	013685-000	SLIDE SWITCH CAP (GRAY)	1	EA	
14	041624-000	Insert Façade (After 4/15/05)	1	EA	
15	PB910233	Bezel, Ice / Water Dispenser	1	EA	
16	PD040071	#10 S.S. FLAT WASHER	1	EA	
17	PK030470	ARM ICE ACTUATOR	1	EA	
18	PD020193	SCR 8-18 X 3/8	1	EA	
19	PC010022	SPRING RETURN ICE ACTUATOR	1	EA	
20	PM010625	SHROUD ICE DISPENSER BK	1	EA	
21	PE070755	DISPENSER CAVITY ASSEMBLY	1	EA	
22	PD020194	SCR, HEX SRTD WSHR HD, #8-18 X 1/2	1	EA	

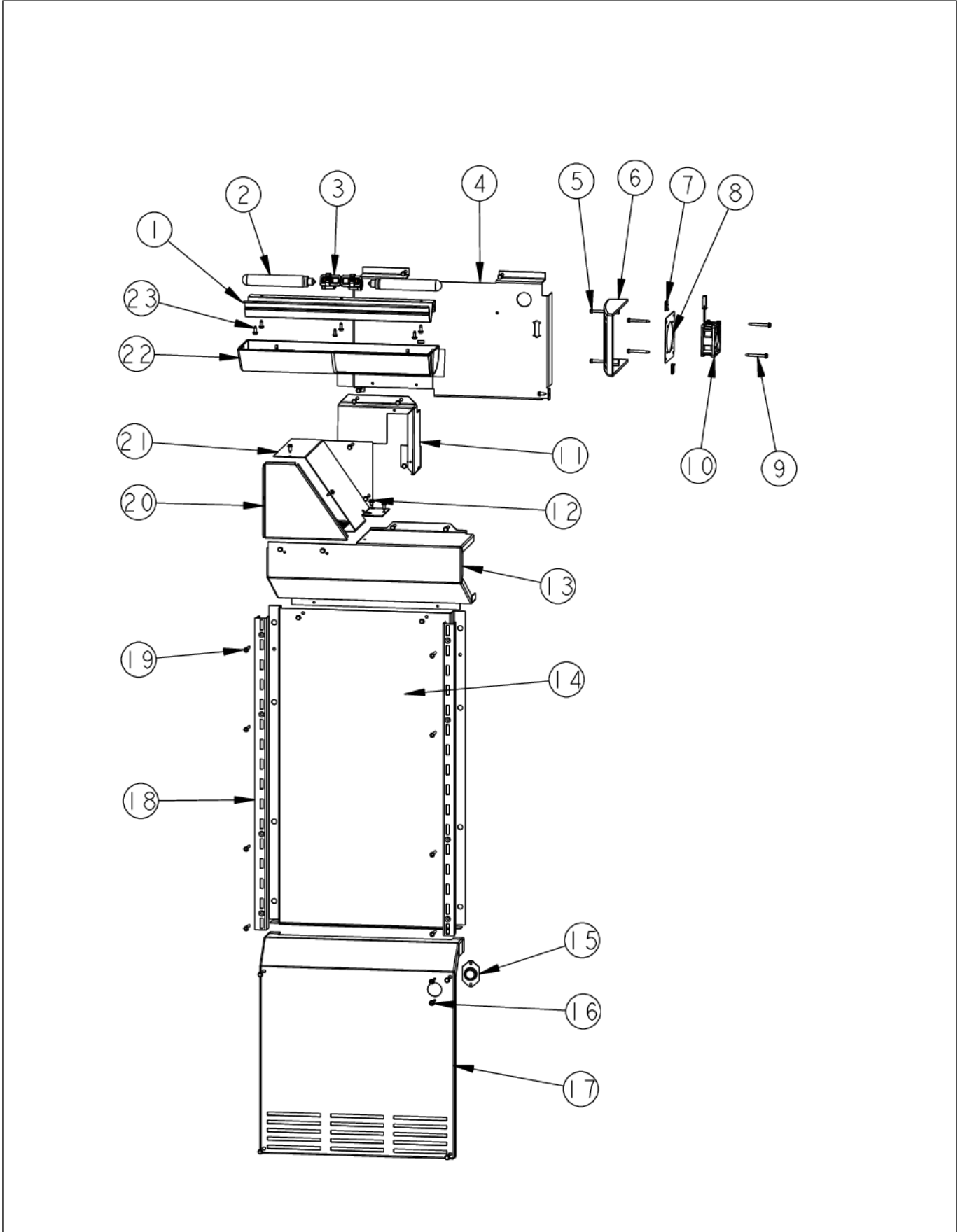
EVAPORATOR AREA





Item	Part No.	Name	Qty	Uom	NOTES
1	G5098660	FAN EVAP ASM PANASONIC	1	EA	
2	M0238859	SCREW-SHLDR	1	EA	
3	K2096458	BRKT-L-EVAP-FAN 12223102	1	EA	
4	058966-000	THERMOSTAT, SNAP ACTION, 55 OPEN 20 CLOSE	1	EA	
5	K2096457	BRKT-R-EVAP FAN 12223101	1	EA	
6	A3189370	GASKET-FOAM VA3189370	1	EA	
7	PM910206	EVAPORATOR SXS 48	1	EA	
8	10623003	CLIP-EVAP	1	EA	
9	K2096456	BRKT-EVAP CLIP 12215101	1	EA	
10	K2096461	BRKT-EVAP COVER 12234801	1	EA	
11	PD020194	SCR, HEX SRTD WSHR HD, #8- 18 X 1/2	1	EA	
12	10527401	CLIP-EVAP	1	EA	
13	10428101	CLIP-EVAP HTR V10428101	1	EA	
14	A3030303	GASKET	1	EA	
15	10629001	BLOCK-R AIR COIL RED	1	EA	
16	PJ910031	HEATER EVAP SXS	1	EA	
17	A3030361	GASKET RED	1	EA	

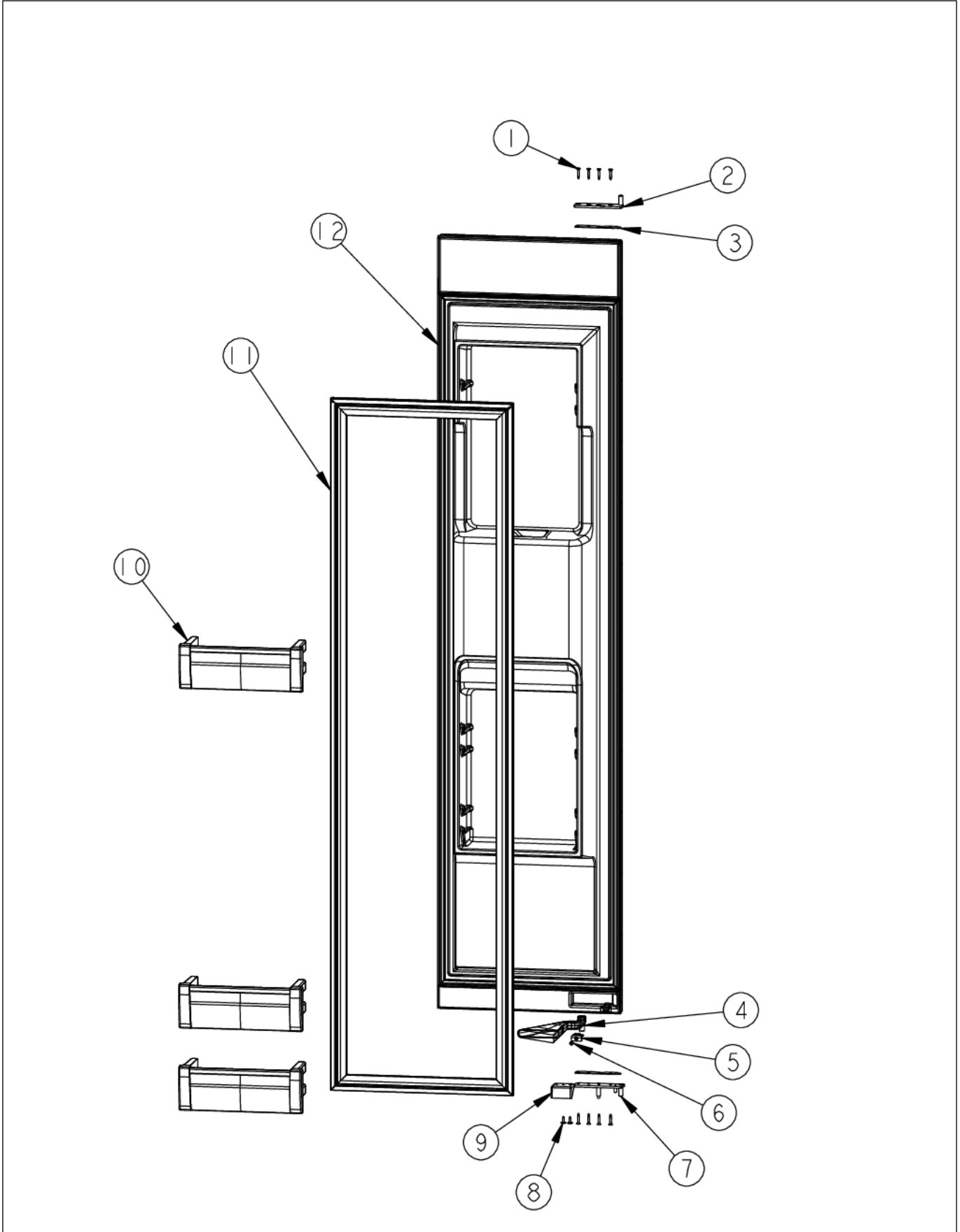
FREEZER COMPARTMENT





Item	Part No.	Name	Qty	Uom	NOTES
1	L2099475	BRACKET LIGHT SXS FZ	1	EA	
2	004528-000	LAMP, 40 WATT CLEAR LIGHT	1	EA	
3	PE950125	LIGHT SOCKET	1	EA	
4	L2097158WH	COVER UPPER EVAP	1	EA	
5	M0221913	SCREW-SM	1	EA	
6	PK930086	COVER FAN SXS 48 FZ	1	EA	
7	M0288120	NUT-SPEED VM0288120	1	EA	
8	K2096475	FAN MOUNTING PLATE	1	EA	
9	PD020188	SCR 8-18 BT HXWS 1 1/2	1	EA	
10	004551-000	AXIAL FAN	1	EA	
<p>Comments for Part Num. 004551-000</p> <p>gboltz@VikingRange.com on Jul 21, 2016</p> <p>View service bulletin TR-0052-SP before ordering fan, if applicable order kit instead of fan</p>					
11	L20914115	FAN BRACKET (FORMED)	1	EA	
12	PD920193	SCREW	1	EA	Not available online / Call for pricing and availability
13	L20910056	COVER EVAP MOTOR	1	EA	
14	L20910057	COVER CENTER EVAP	1	EA	
15	C8983701	THERMISTOR	1	EA	
16	M0211014	SCREW-SM	1	EA	Not available online / Call for pricing and availability
17	L20910054	COVER LOWER EVAP	1	EA	
18	PM910375	LADDER R/L FZ	1	EA	
19	M0238535	SCREW-SM	1	EA	
20	L20910075	COVER EVAP FAN	1	EA	
21	L20914114	FAN COVER (FORMED)	1	EA	
22	020117-000	COVER LIGHT ASM SXS 42 FZ	1	EA	
23	PD020194	SCR, HEX SRTD WSHR HD, #8-18 X 1/2	1	EA	

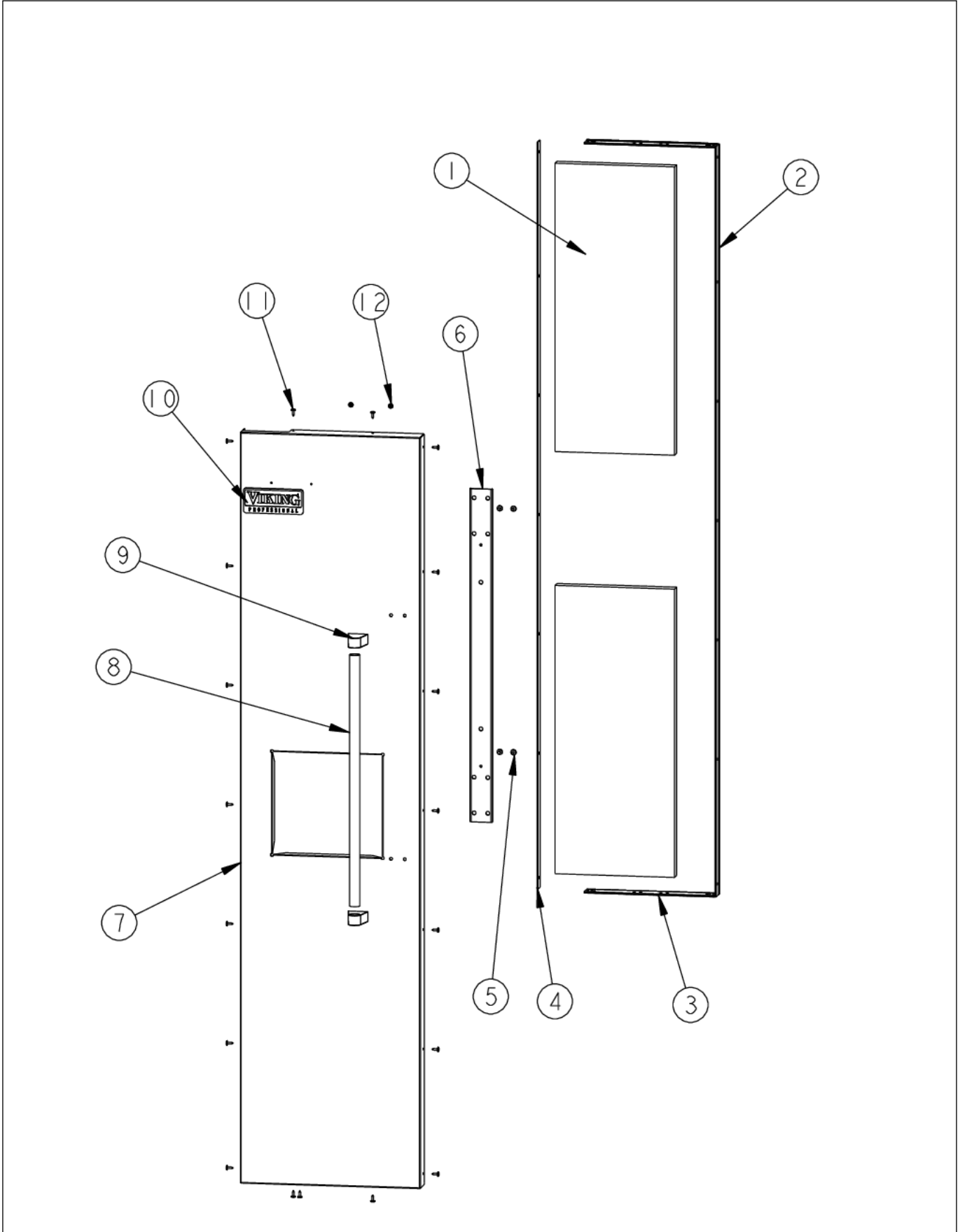
FREEZER DOOR FOAM AREA





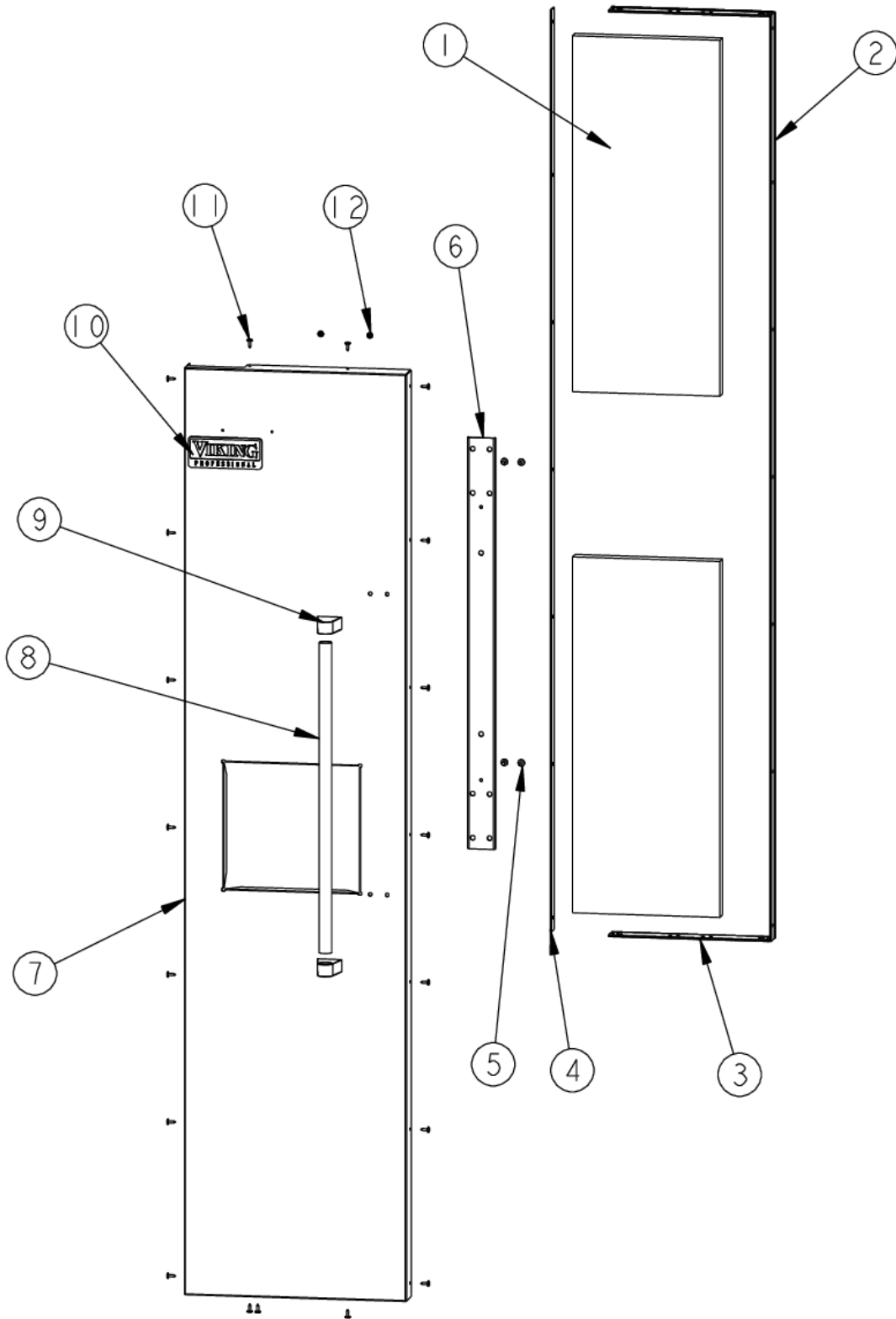
Item	Part No.	Name	Qty	Uom	NOTES
1	PD920174	10-32 TORX HEAD SCREW	1	EA	
2	PC020279	PIVOT PL ASM LH UP PRO/DES	1	EA	
3	PD040162	SPACER-DOOR HINGE	1	EA	
4	PK930297	ELBOW CHASE SXS DISP	1	EA	
5	PK930298	RETAINER ELBOW SXS DISP	1	EA	
6	M0215318	SCREW-SM	1	EA	
7	016182-000	PIVOT PL ASM LH LW PRO/DES	1	EA	
8	M0210458	SCREW-SM	1	EA	
9	PD050019	STRIKER DOOR SWITCH	1	EA	
10	036888-000	DOORBIN ASM SXS FZ	1	EA	
11	001948-000	DOOR GASKET	1	EA	
Not Shown	NOTE	(BEFORE 06-10-08)		EA	
11	005456-000	GASKET, ASM , 48, SXS, FZ, DISP	1	EA	
Not Shown	NOTE	(ON OR AFTER 06-10-08)		EA	
12	G32915039	DOOR ASM 48D FZ	1	EA	
Not Shown	NOTE	(Includes Gasket)		EA	

FREEZER DOOR SKIN AREA



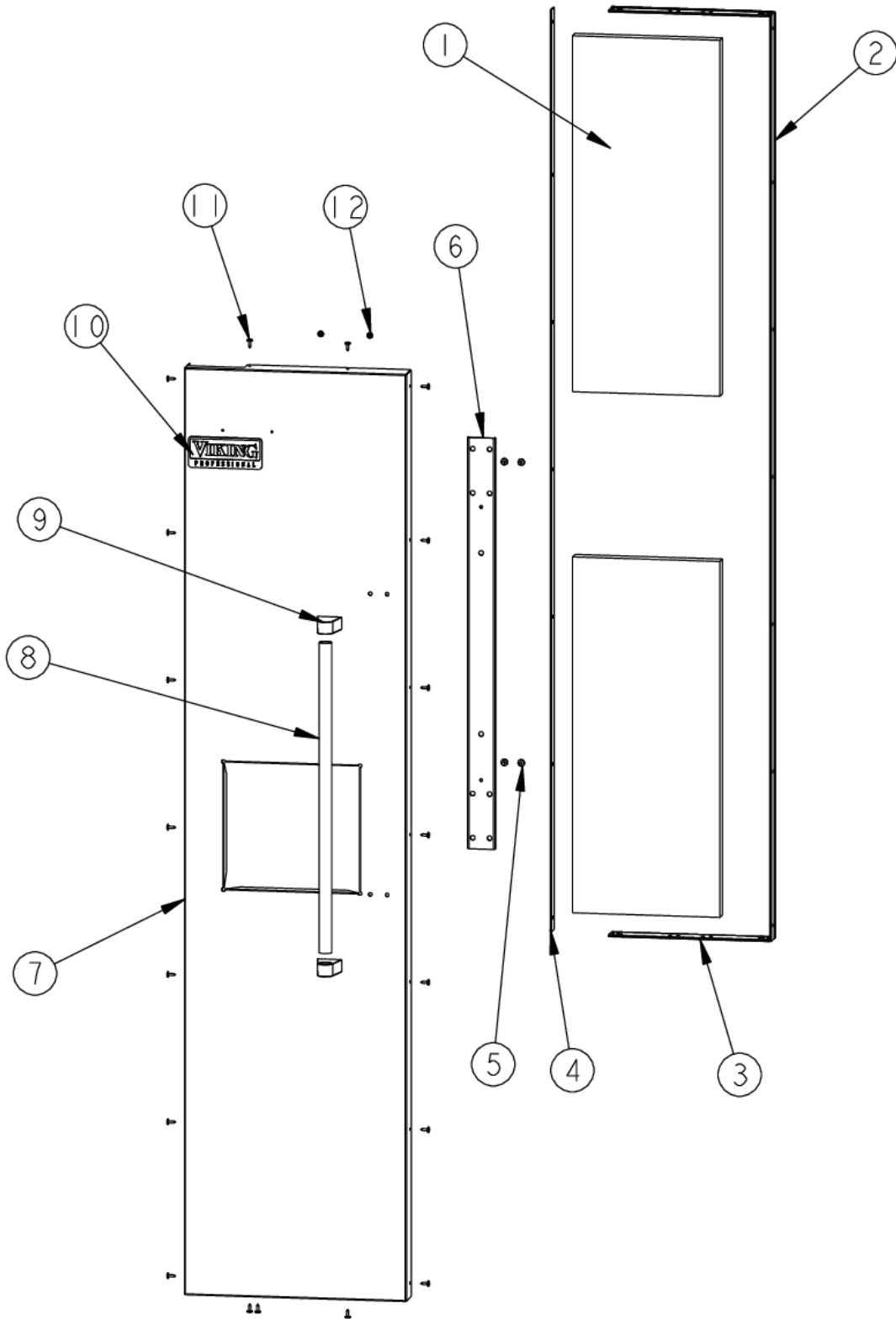


Item	Part No.	Name	Qty	Uom	NOTES
1	000656-000	BLOCK, EPS REF DOOR 42/48 SXS FZ DES	1	EA	
2	PE940176	Door Trim - Side	1	EA	
3	056842-000	TRIM, FRZ, TOP/BTM, 48	1	EA	
4	014581-000	SPACER, TRIM, SXS, AF, AR	1	EA	
5	M0204303	SCREW-MACH	1	EA	
6	K2097526	Bracket, Handle Support (Frz.)	1	EA	
7	B20916352	SKIN DOOR SXS 48D FZ PROI	1	EA	
7	002026-006	SKIN, DOOR, SXS 48D FZ PROI WH	1	EA	NO LONGER AVAILABLE, Not available online / Call for pricing and availability
7	002026-007	SKIN, DOOR, SXS 48D FZ PROI AL	1	EA	NO LONGER AVAILABLE, Not available online / Call for pricing and availability
Not Shown	NOTE	(Before 01/01/08)		EA	
7	002026-003	SKIN, DOOR, SXS 48D FZ PROI BT	1	EA	NO LONGER AVAILABLE, Not available online / Call for pricing and availability
Not Shown	NOTE	(Before 01/01/08)		EA	
7	002026-014	SKIN, DOOR, SXS 48D FZ PROI EP	1	EA	NO LONGER AVAILABLE, Not available online / Call for pricing and availability
Not Shown	NOTE	(Before 01/01/08)		EA	
7	002026-011	SKIN, DOOR, SXS 48D FZ PROI FG	1	EA	NO LONGER AVAILABLE, Not available online / Call for pricing and availability
Not Shown	NOTE	(Before 01/01/08)		EA	
7	002026-002	SKIN, DOOR, SXS 48D FZ PROI BK	1	EA	NO LONGER AVAILABLE, Not available online / Call for pricing and availability



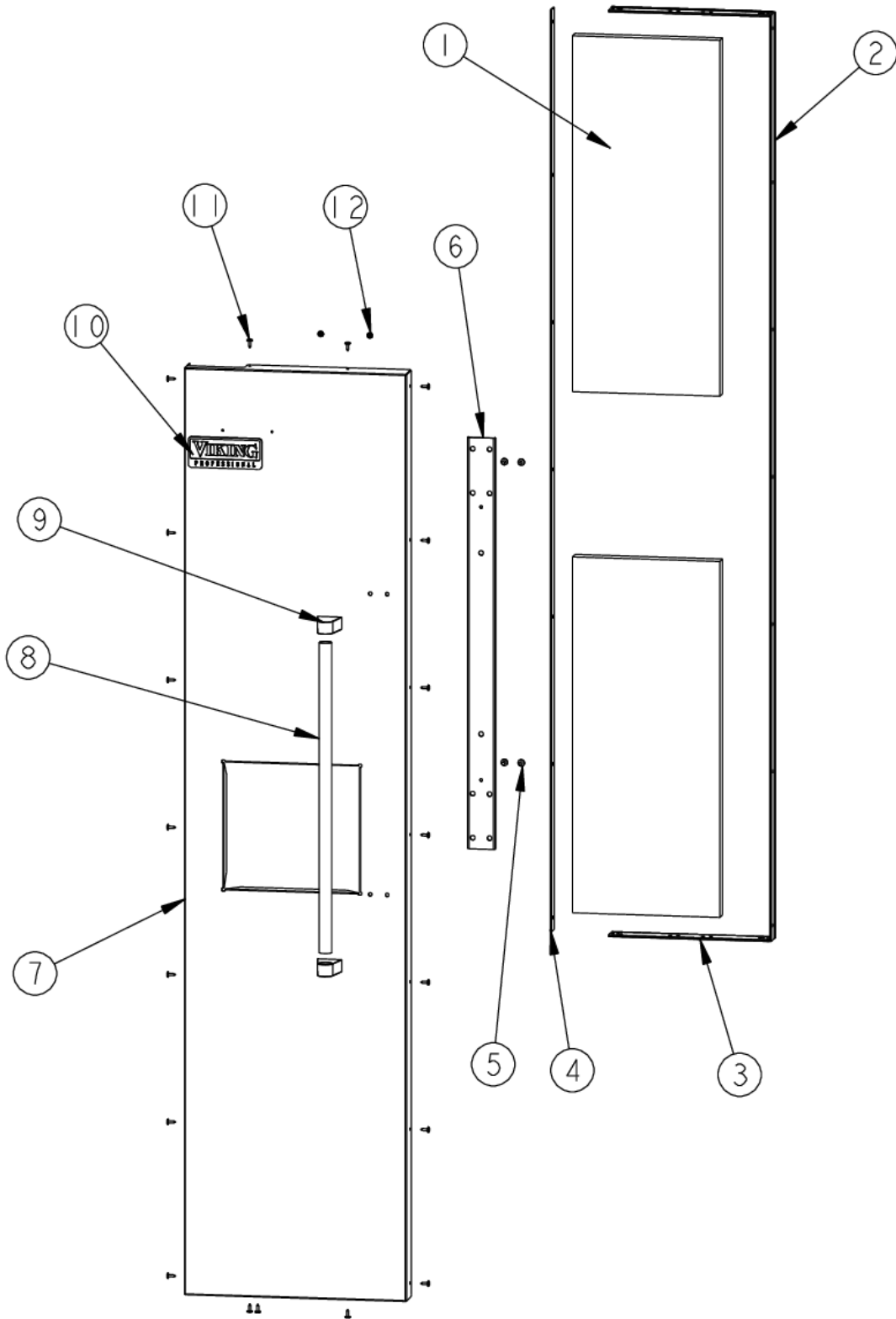


Item	Part No.	Name	Qty	Uom	NOTES
7	002026-008	SKIN,DOOR,SXS 48D FZ PROI BU	1	EA	NO LONGER AVAILABLE, Not available online / Call for pricing and availability
7	002026-013	SKIN,DOOR,SXS 48D FZ PROI CB	1	EA	NO LONGER AVAILABLE, Not available online / Call for pricing and availability
7	002026-005	SKIN,DOOR,SXS 48D FZ PROI GG	1	EA	NO LONGER AVAILABLE, Not available online / Call for pricing and availability
7	002026-009	SKIN,DOOR,SXS 48D FZ PROI LE	1	EA	NO LONGER AVAILABLE, Not available online / Call for pricing and availability
7	002026-010	SKIN,DOOR,SXS 48D FZ PROI MJ	1	EA	NO LONGER AVAILABLE, Not available online / Call for pricing and availability
7	002026-004	SKIN,DOOR,SXS 48D FZ PROI SG	1	EA	NO LONGER AVAILABLE, Not available online / Call for pricing and availability
7	002026-012	SKIN,DOOR,SXS 48D FZ PROI VB	1	EA	NO LONGER AVAILABLE, Not available online / Call for pricing and availability
NI	002026-024	SKIN,DOOR,SXS 48D FZ PROI AR	1	EA	
Not Shown	NOTE	(After 01/01/08)		EA	
NI	002026-016	SKIN,DOOR,SXS 48D FZ PROI CH	1	EA	
Not Shown	NOTE	(After 01/01/08)		EA	
NI	002026-018	SKIN,DOOR,SXS 48D FZ PROI CW - NLA	1	EA	
Not Shown	NOTE	(After 01/01/08)		EA	
NI	002026-020	SKIN,DOOR,SXS 48D FZ PROI GM	1	EA	Not available online / Call for pricing and availability





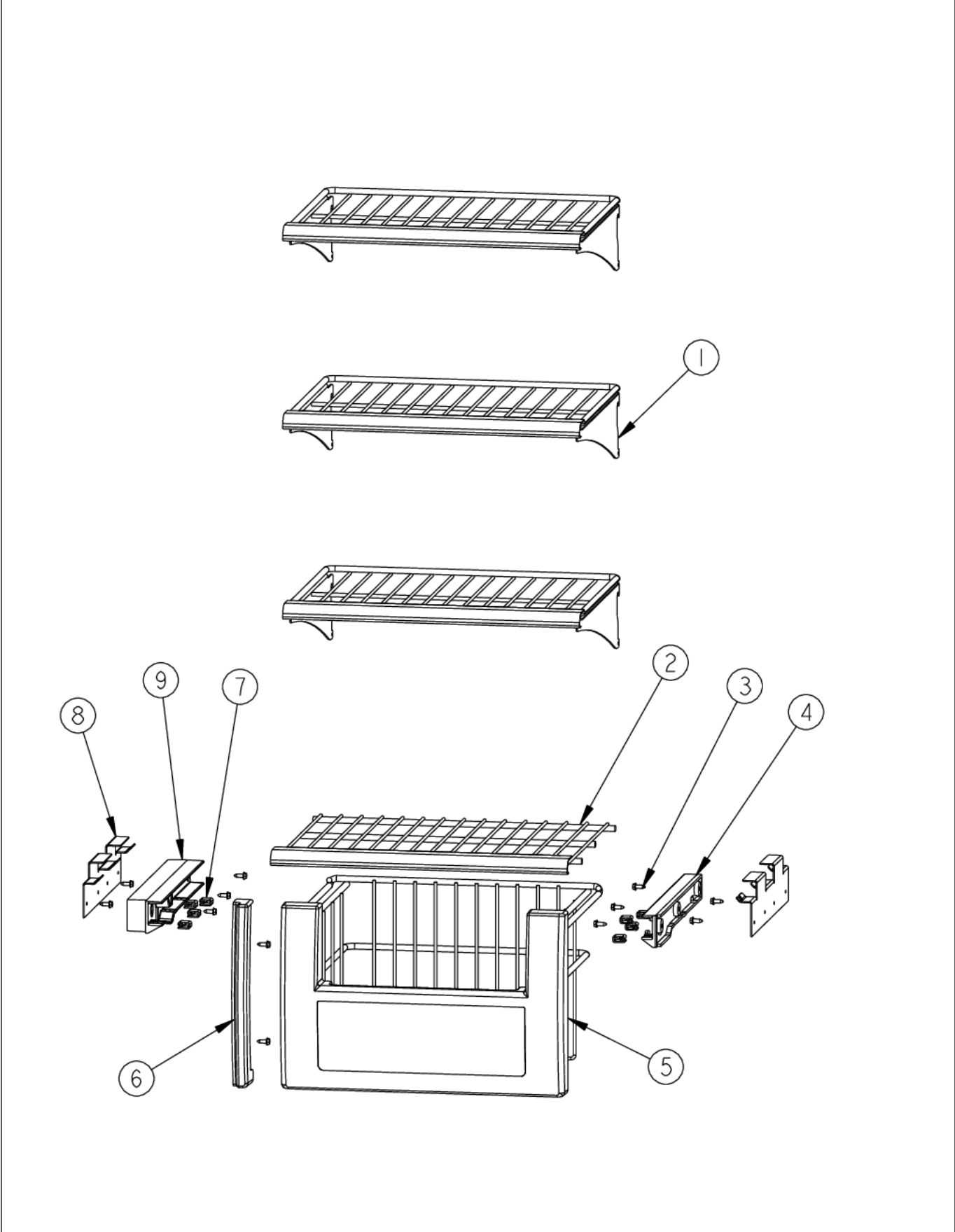
Item	Part No.	Name	Qty	Uom	NOTES
Not Shown	NOTE	(After 01/01/08)		EA	
NI	002026-023	SKIN,DOOR,SXS 48D FZ PROI IB	1	EA	
Not Shown	NOTE	(After 01/01/08)		EA	
NI	002026-027	SKIN,DOOR,SXS 48D FZ PROI MS	1	EA	
Not Shown	NOTE	(After 01/01/08)		EA	
NI	002026-019	SKIN,DOOR,SXS 48D FZ PROI OG	1	EA	
Not Shown	NOTE	(After 01/01/08)		EA	
NI	002026-015	SKIN,DOOR,SXS 48D FZ PROI PL	1	EA	
Not Shown	NOTE	(After 01/01/08)		EA	
NI	002026-026	SKIN,DOOR,SXS 48D FZ PROI PM	1	EA	
Not Shown	NOTE	(After 01/01/08)		EA	
NI	002026-025	SKIN,DOOR,SXS 48D FZ PROI RR	1	EA	
Not Shown	NOTE	(After 01/01/08)		EA	
NI	002026-021	SKIN,DOOR,SXS 48D FZ PROI SA	1	EA	
Not Shown	NOTE	(After 01/01/08)		EA	
NI	002026-022	SKIN,DOOR,SXS 48D FZ PROI SE	1	EA	
Not Shown	NOTE	(After 01/01/08)		EA	
NI	002026-017	SKIN,DOOR,SXS 48D FZ PROI TP	1	EA	
Not Shown	NOTE	(After 01/01/08)		EA	
8	PE930101	VCSB482 HANDLE -(12466403)	1	EA	
8	PE030012	HANDLE - BR	1	EA	Not available online / Call for pricing and availability
9	000268-000	HANDLE ENDCAP	1	EA	





Item	Part No.	Name	Qty	Uom	NOTES
9	PE030001PVD	END CAP DOOR HANDLE *BR	1	EA	
10	PE010030	LOGO	1	EA	
10	PE010068	LOGO 6" (VGRC) BK/BR	1	EA	
10	PE010031	LOGO 6" (VGRC) *BK/WH*	1	EA	NO LONGER AVAILABLE
10	PE010076	LOGO 6" (VGRC) *BR/WH*	1	EA	NO LONGER AVAILABLE
11	M0210458	SCREW-SM	1	EA	
12	PD030006	CAPPED WASHER PAL NUT	1	EA	

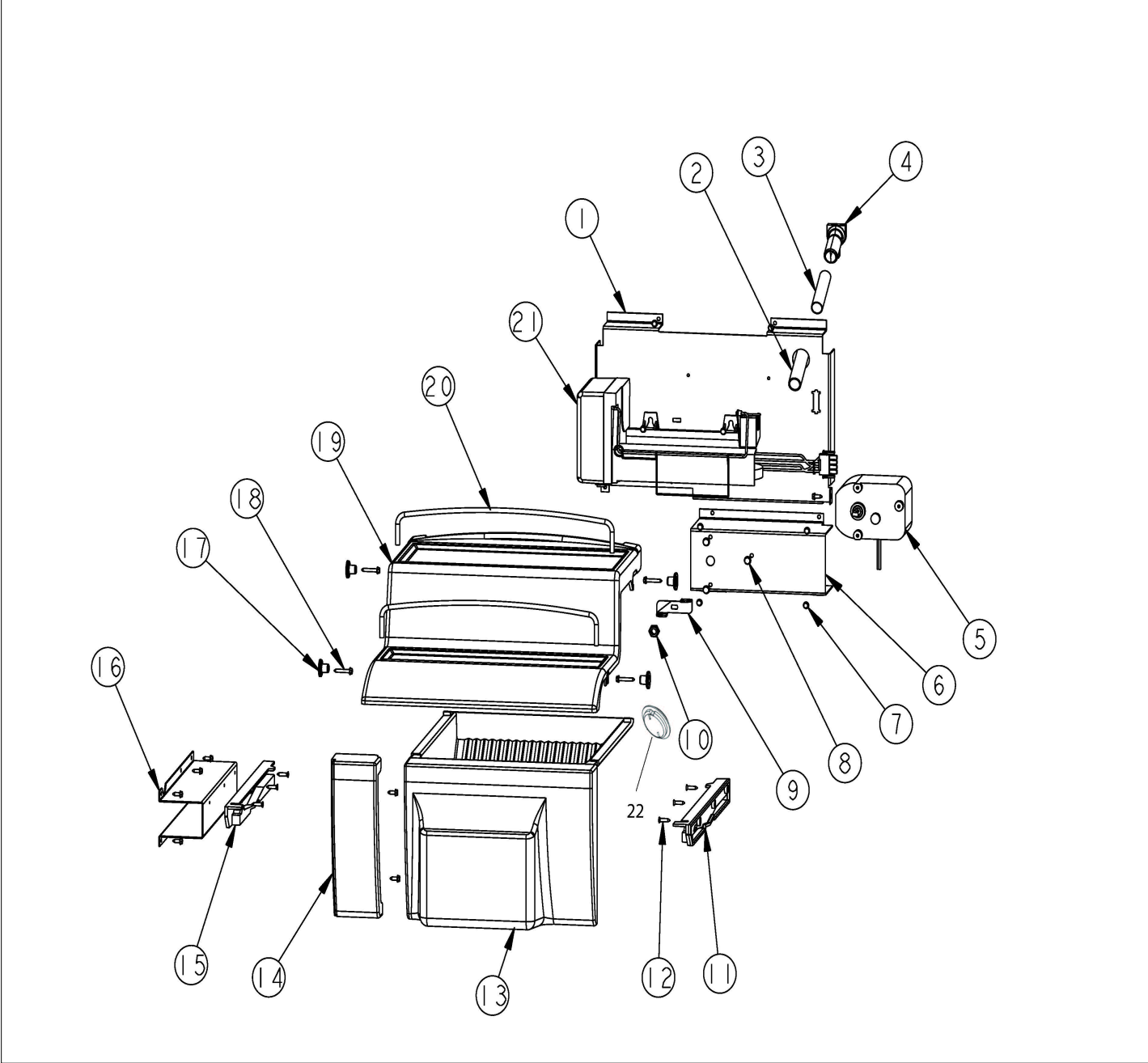
FREEZER SHELVING





Item	Part No.	Name	Qty	Uom	NOTES
1	PM910411	SHELF WIRE AF 36	1	EA	
2	PM910231	FZ FIXED BASKET ASSEMBLY	1	EA	
3	PD020194	SCR, HEX SRTD WSHR HD, #8-18 X 1/2	1	EA	
4	PK930074	GLIDE SXS 48 FZ R	1	EA	
5	PM910190	BASKET ASM FZ	1	EA	
6	PK930107	FZ BASKET SIDE SPACER FRONT	1	EA	
7	12064701	PAD-GLIDE V12064701	1	EA	
8	L20910067	BRACKET SHELF FZ	1	EA	
9	PK930075	GLIDE SXS 48 FZ L	1	EA	

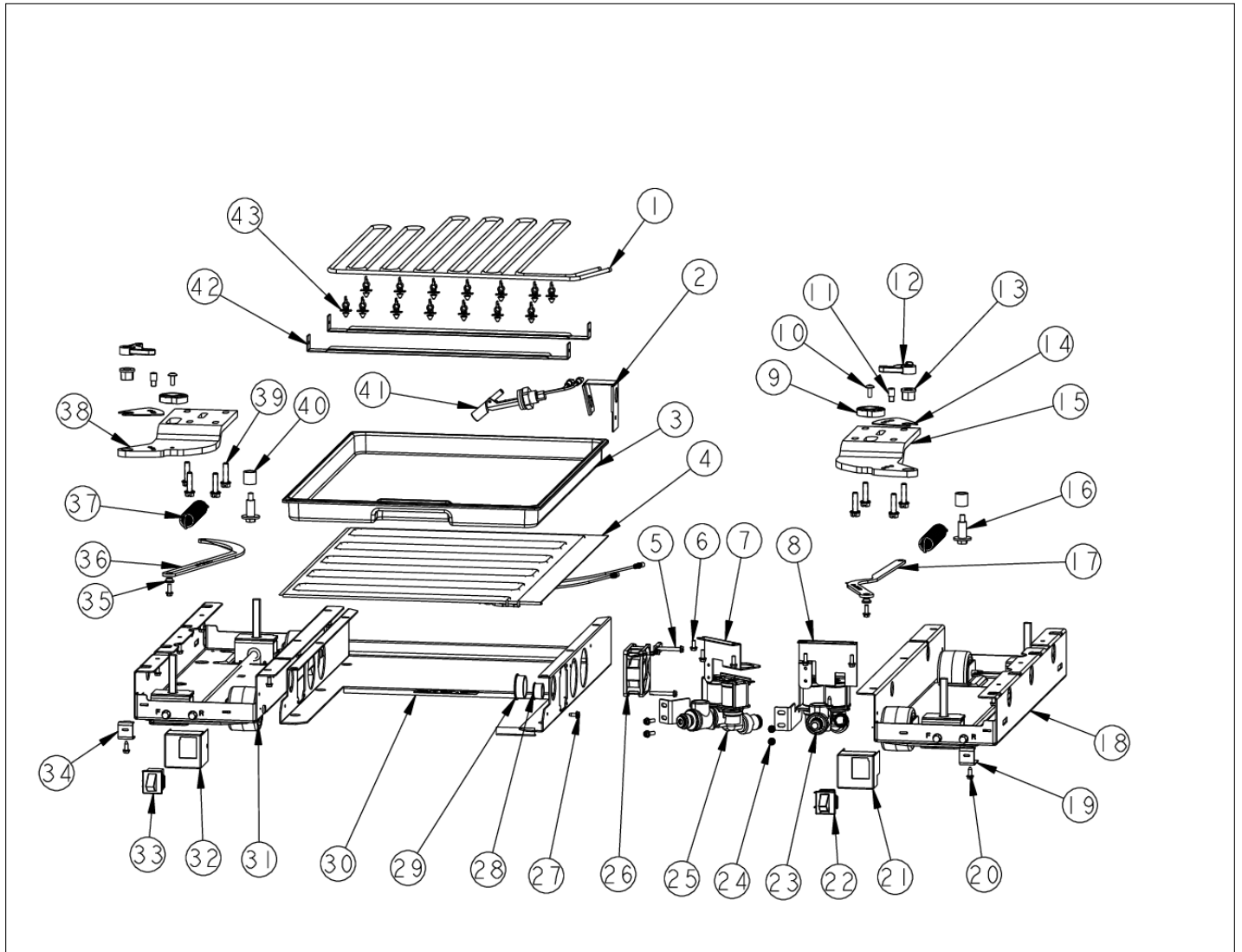
ICE MAKER AREA





Item	Part No.	Name	Qty	Uom	NOTES
1	L2097158WH	COVER UPPER EVAP		EA	
2	015813-000	EXT FILL TUBE		EA	
3	029418-000	FILL TUBE DISP		EA	
4	10276601	ELBOW-FILLER TUBE		EA	
5	PE950158	Motor Auger		EA	
6	C90914113WH	BRACKET - AUGER MOTOR (WH)		EA	
7	PD020194	SCR, HEX SRTD WSHR HD, #8-18 X 1/2		EA	
8	PD020191	SCR. #10 PLAS HXW 1/2 S		EA	
9	B20911863	Driver- Ice Bucket RNG		EA	
10	M0223101	NUT LOCKING		EA	
11	PK930265	GLIDE R FZ		EA	
12	M0213503	SCREW, SM		EA	
13	019144-000	ICE BUCKET ASM		EA	
<p>Comments for Part Num. 019144-000</p> <p>gboltz@VikingRange.com on Mar 28, 2017</p> <p>See parts bulletin 2017-03P ice bucket helix replacement</p>					
14	PK930096	CLOSEOUT - ICE DISPENSER		EA	
15	PK930266	GLIDE L FZ		EA	
16	C90910027WH	SUPPORT LS ICE BUCKET		EA	
17	12258501	SUPPORT-SHELF		EA	
18	M0211021	SCREW-SM		EA	
19	PK930264	SHELF COVER		EA	
20	PM910435	RETAINER WIRE		EA	
21	043156-000	ICEMAKER ASSEMBLY		EA	
22	PM910331C	CAP,HELIX		EA	

LOWER UNIT AREA





Item	Part No.	Name	Qty	Uom	NOTES
1	F20915693	SERPENTINE CONDENSER DRAIN ALL SXS'S	1	EA	
2	B20915627	BRACKET HORIZ FLOAT SWITCH	1	EA	
3	PK930348	PAN DRAIN	1	EA	
4	G50911853	TRAY PAN HEATER	1	EA	
5	PD020274	SCR SLTD HEX WSHR HD 8X1.250 BT	1	EA	
6	PD020010	10 X 3/8 GREEN GROUNDING SCREW	1	EA	
7	K20914175	BRACKET, DUAL VALVE, J.G. INLET	1	EA	
8	K20913790	BRKT VALVE H2O DUAL	1	EA	
9	044370-000	CAM DOOR ADJUSTMENT (SXS)	1	EA	
10	PD020234	SCREW THP 10-32 X .500 SS BO	1	EA	
11	PC920145	PIN - DOOR STOP	1	EA	
12	PD940091	BUSHING - DOOR STOP	1	EA	
13	PD940090	BUSHING - WC DOOR LEVEL	1	EA	
14	PC920144	PLATE - WC DOOR SHIM	1	EA	
15	PC020288	HINGE PLATE LR	1	EA	
16	M0221523	SCREW - SHLDR	1	EA	
17	PC920166	HINGE ASM COMPLETE RR	1	EA	
18	060890-000	LEVELER MODULE R	1	EA	
19	K2098044	BRKT GRILLE SUPPORT	1	EA	
20	PD020194	SCR, HEX SRTD WSHR HD, #8-18 X 1/2	1	EA	
21	002667-000	SWITCH,GRILLE,MT,RH	1	EA	
22	PE950147	SWITCH SPST NC BLACK	1	EA	

Comments for Part Num. PE950147

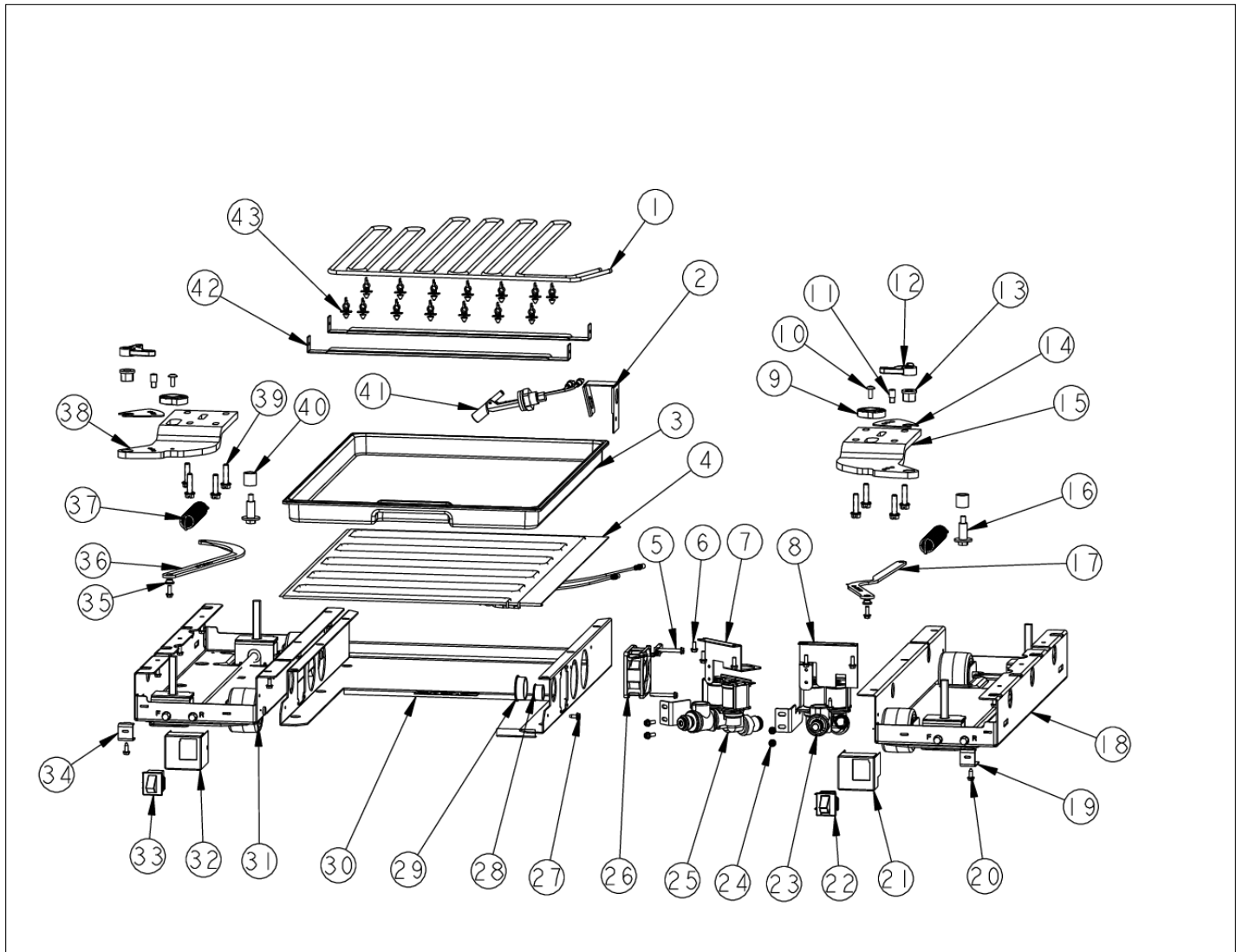
bradleysapplianceservice@shaw.ca on May 1, 2017

CAUTION WHEN ORDERING DOOR SWITCH. PARTS LISTINGS COULD BE INCORRECT.

THERE IS TWO VERSIONS OF THIS DOOR SWITCH THAT NEEDS TO BE VISUALLY CHECKED ON UNIT TO DETERMINE CORRECT PART.

PE950146 DOOR SWITCH 3 WIRE SPDT BLACK

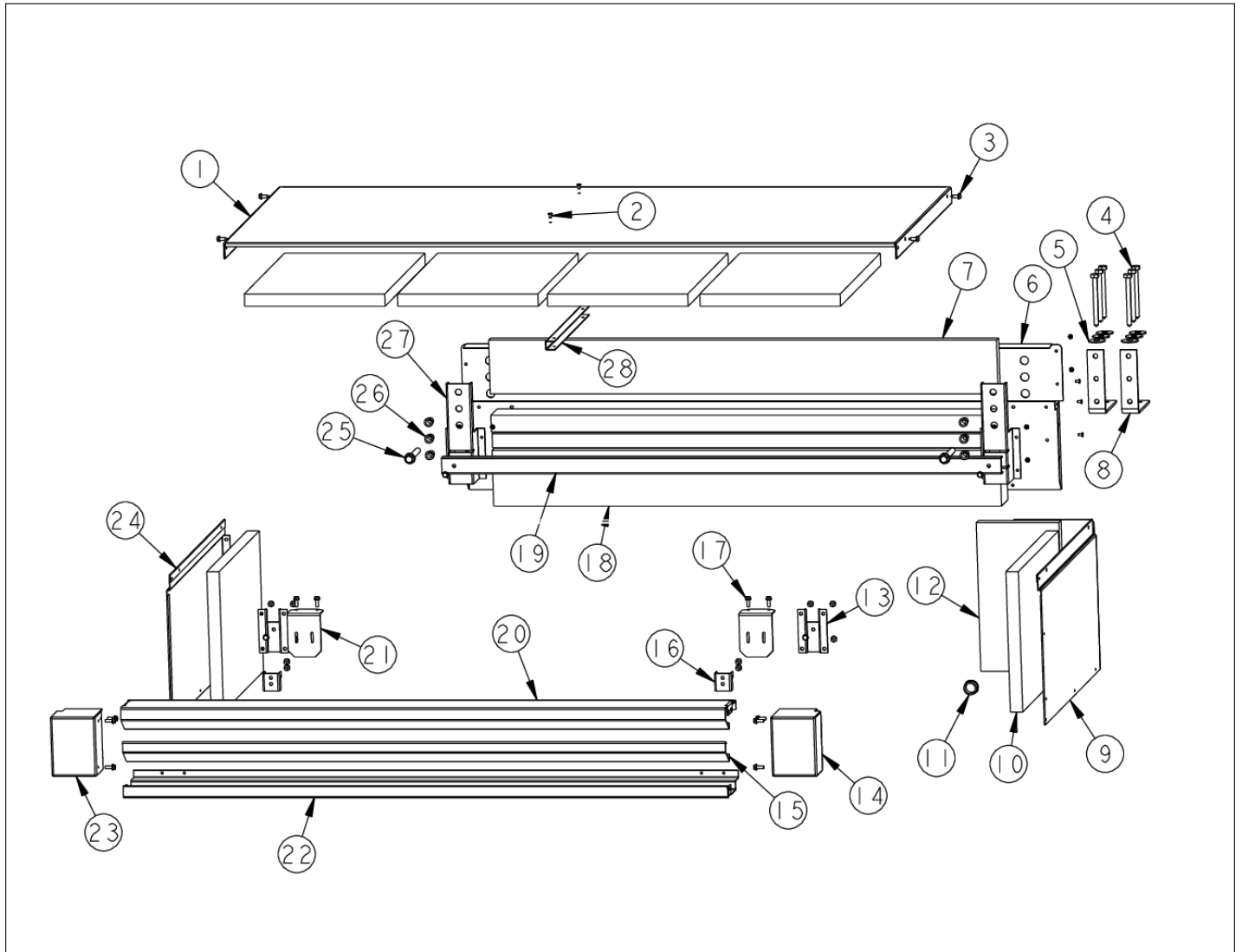
PE950147 DOOR SWITCH 2 WIRE SPST BLACK





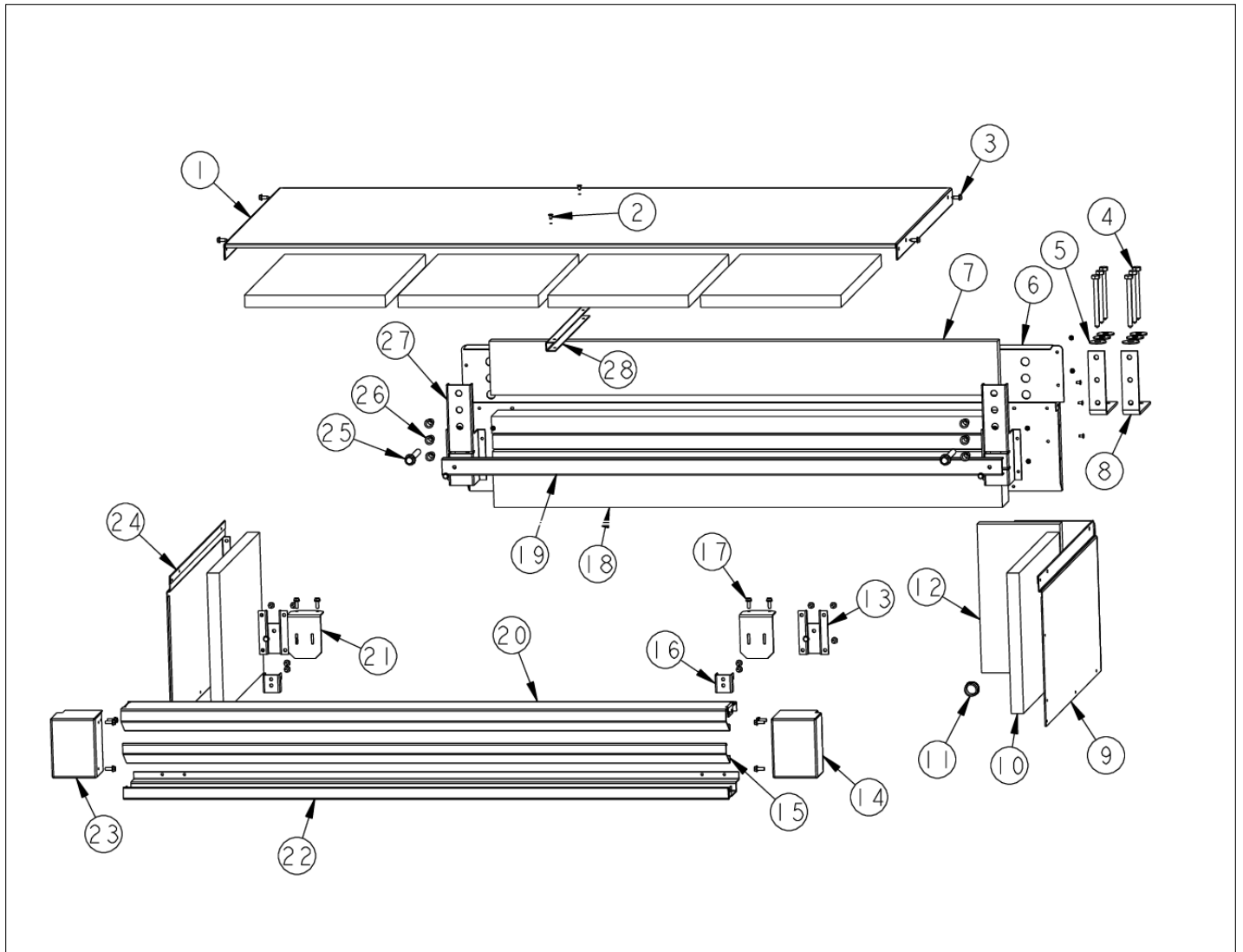
Item	Part No.	Name	Qty	Uom	NOTES
23	PA070014	WATER VALVE	1	EA	
24	M0220417	SCREW-TC	1	EA	
25	G50911843	WATER VALVE KIT	1	EA	
26	004551-000	AXIAL FAN	1	EA	
Comments for Part Num. 004551-000					
gboltz@VikingRange.com on Jul 21, 2016					
View service bulletin TR-0052-SP before ordering fan, if applicable order kit instead of fan					
27	M0253916	SCR 8-32 SHXW 3/8 TRI-LOBE	1	EA	
28	A4554806	BUSHING-SNAP VA4554806	1	EA	
29	A4554817	BUSHING-SNAP VA4554817	1	EA	
30	K20915952	SHIELD BOTTOM DRAIN	1	EA	
31	060891-000	LEVELER MODULE L	1	EA	
32	002668-000	SWITCH,GRILLE,MT,LH	1	EA	
33	PE950146	SPDT SWITCH	1	EA	
34	K2098096	BRKT GRILLE SUPPORT	1	EA	
35	PD940094	BUSHING	1	EA	
36	PC920149	BAR-WC BOT HINGE LH	1	EA	
37	PC910015	SPRING EXTENSION	1	EA	
38	PC020289	HINGE PLATE LL	1	EA	
39	000570-000	FASTENER, BOLT, 1/4-20 IHXWS 1" S ZN SER	1	EA	
40	PD940107	ROUND SPRING SPACER	1	EA	
41	PE050248	FLOAT SWITCH HORIZONTAL	1	EA	
42	K20911831	BRACKET CONDENSATE SUPPORT	1	EA	
43	PD030146	STAND OFF LOCK CLIP	1	EA	

MC COVER AND GRILLE AREA





Item	Part No.	Name	Qty	Uom	NOTES
1	K20910007	MC TOP SXS 48	1	EA	
2	PC040010	POP RIVET (.063/GR -.125) GAMD42-A	1	EA	
3	PD020194	SCR, HEX SRTD WSHR HD, #8- 18 X 1/2	1	EA	
4	M0223509	SCREW-LAG	1	EA	
5	M0270510	WASHER #	1	EA	
6	K20910008	MC BACK SXS 48	1	EA	
7	PB070362	INSULATION MC COVER	1	EA	NO LONGER AVAILABLE, Not available online / Call for pricing and availability
8	PK910089	BRACKET, ANTI - TIP	1	EA	
9	K2099459	MC SIDE (RIGHT)	1	EA	
10	PB070355	INSULATION MC COVER	1	EA	
11	A4554806	BUSHING-SNAP VA4554806	1	EA	
12	PB970171	MC INSULATION - BACK SIDE	1	EA	Not available online / Call for pricing and availability
13	PK050004	BRACKET GRILLE 5 SERIES	1	EA	
14	B20916337	ENDCAP GRILLE PROI R	1	EA	
15	B20916322	LOUVER GRILLE MID SXS 48 PROI	1	EA	
16	B2096961	BRACKET-LOUVER	1	EA	
17	M0220417	SCREW-TC	1	EA	
18	PB070361	INSULATION MC COVER	1	EA	
19	K20915904	CROSSMEMBER PSM 48	1	EA	NO LONGER AVAILABLE, Not available online / Call for pricing and availability
20	B20916321	LOUVER GRILLE TOP SXS 48 PROI	1	EA	Not available online / Call for pricing and availability
21	B2096962	BRACKET-LOUVER SUP	1	EA	
22	B20916323	LOUVER GRILLE BOT SXS 48 PROI	1	EA	Not available online / Call for pricing and availability
23	B20916338	ENDCAP GRILLE PROI L	1	EA	

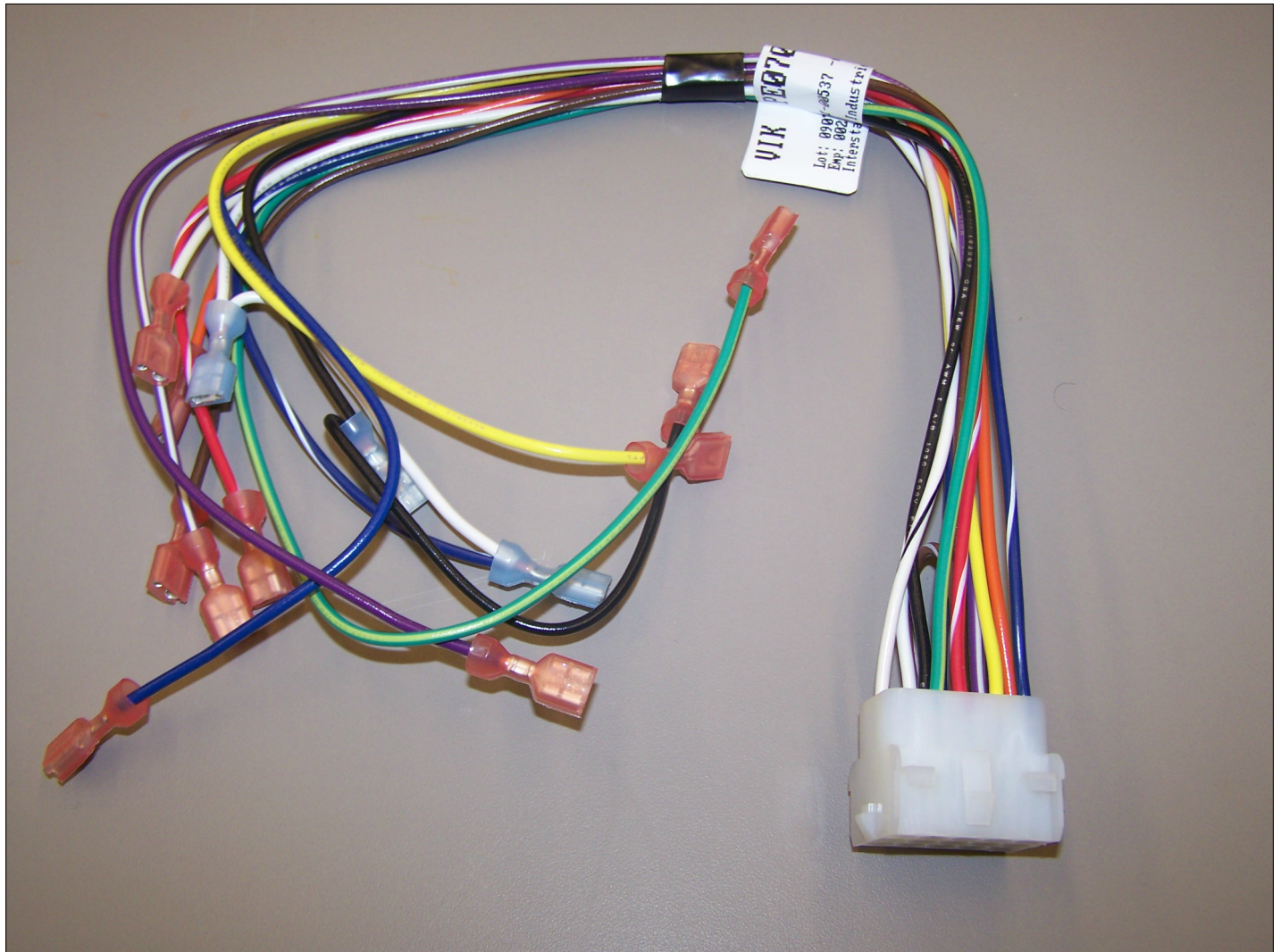




Item	Part No.	Name	Qty	Uom	NOTES
24	K2099460	MC SIDE L	1	EA	
25	PD020233	SCR LAG 5/16-9 GX 5/16X7/16 WAF IHXW 3 S ZN	1	EA	
26	PD040157	BEARING SLEEVE	1	EA	
27	K20915675	BRACKET PSM	1	EA	
28	K2099455	SUPPORT MC Z	1	EA	



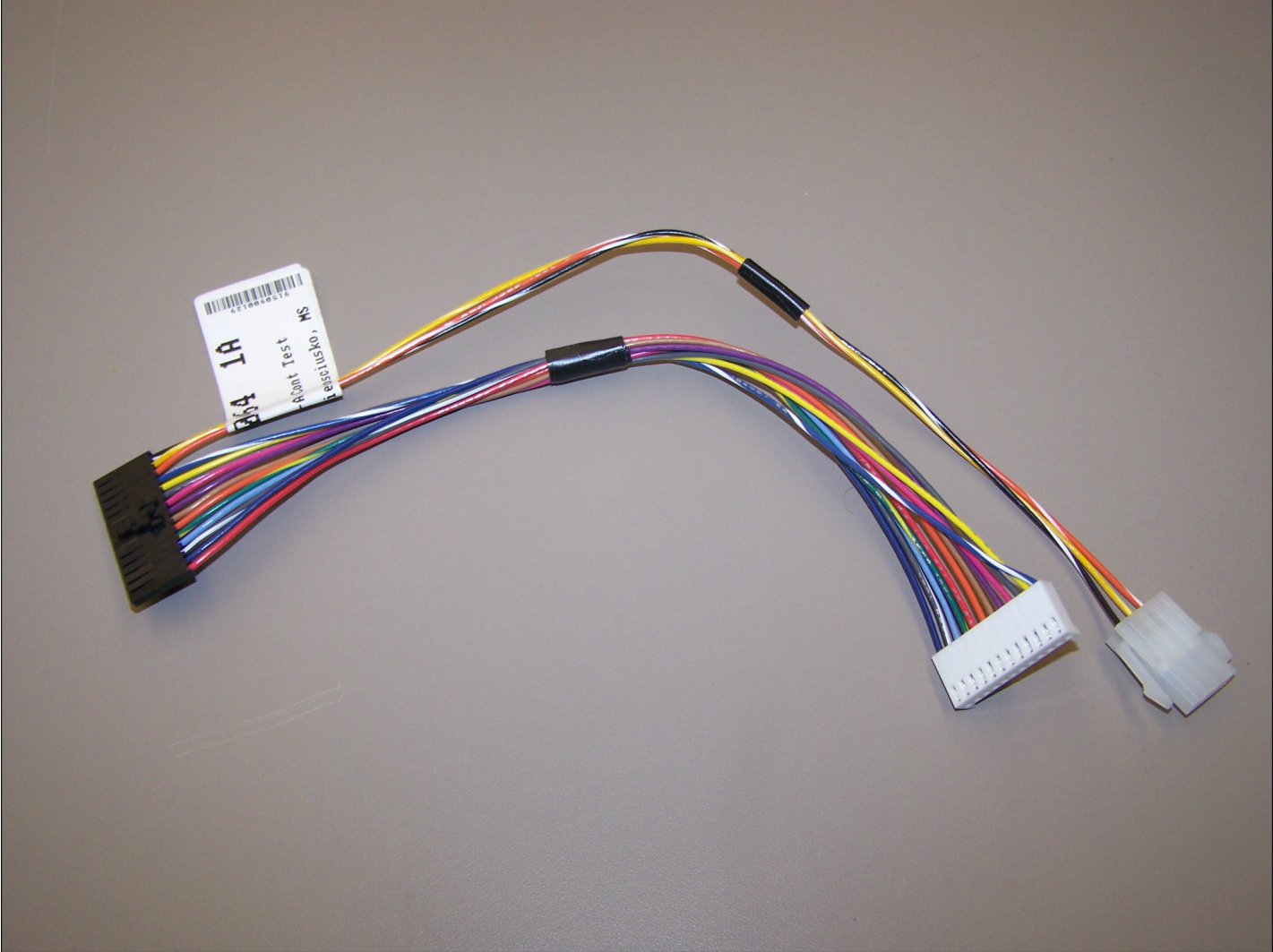
PE070785 HIGH VOLT HARNESS





Item	Part No.	Name	Qty	Uom	NOTES
1	PE070785	Harness, High Voltage Board	1	EA	

PE970464 LOW VOLT HARNESS

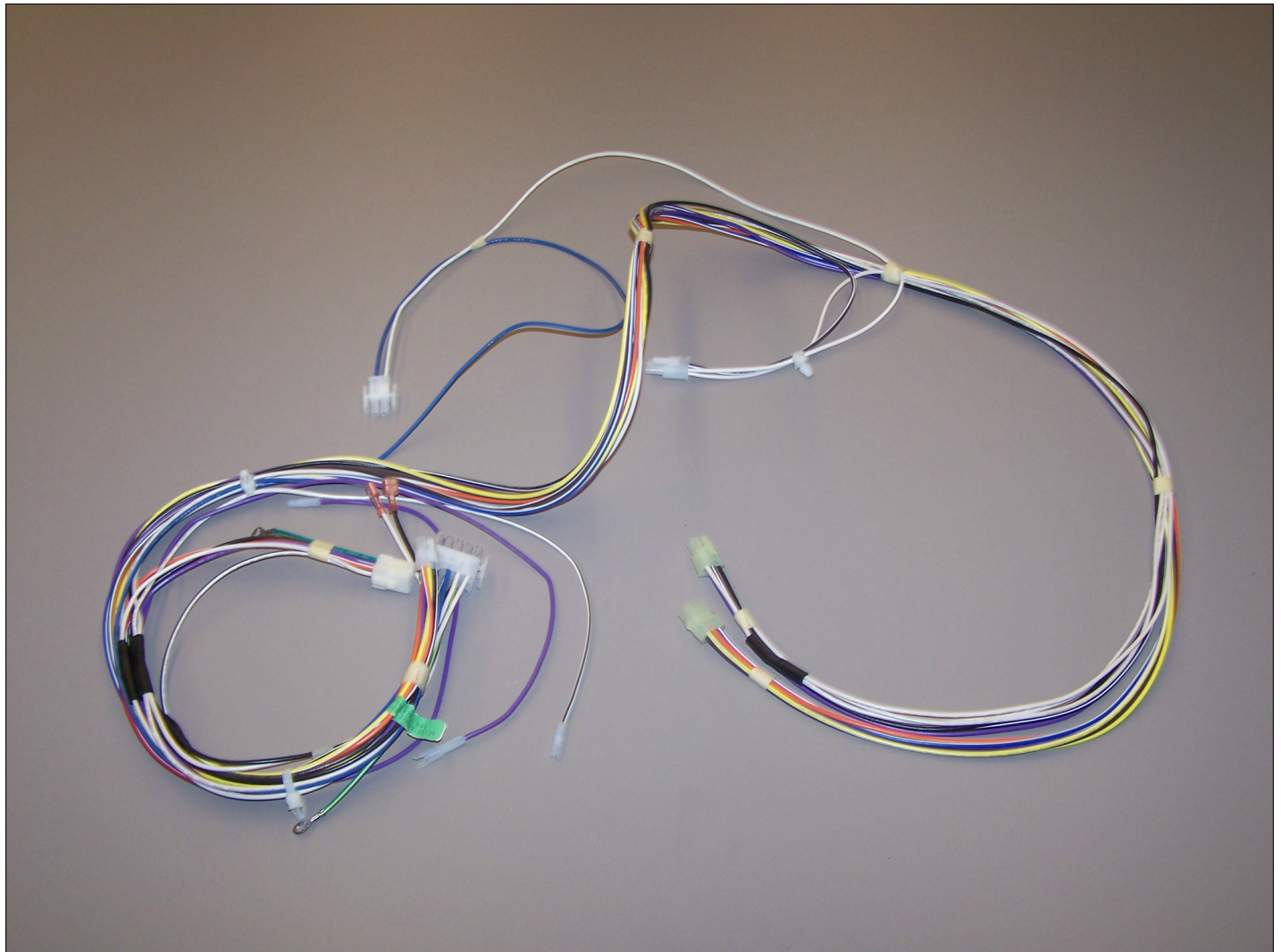




Item	Part No.	Name	Qty	Uom	NOTES
1	PE970464	HARNESS LOW VOLT 5 SERIES	1	EA	



PE970595 MACHINE HARNESS

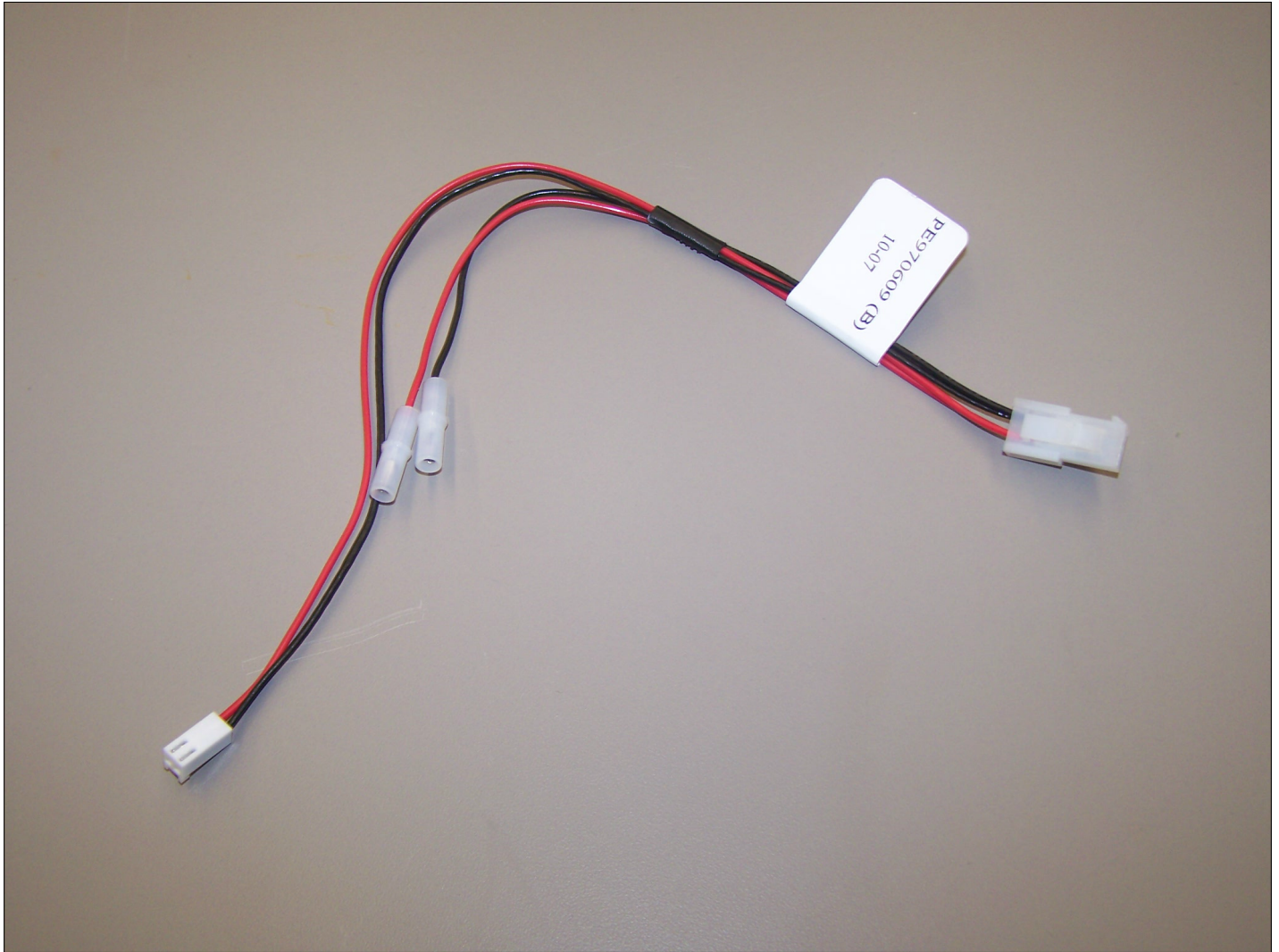




Item	Part No.	Name	Qty	Uom	NOTES
1	PE970595	HARNESS MACH SXS	1	EA	



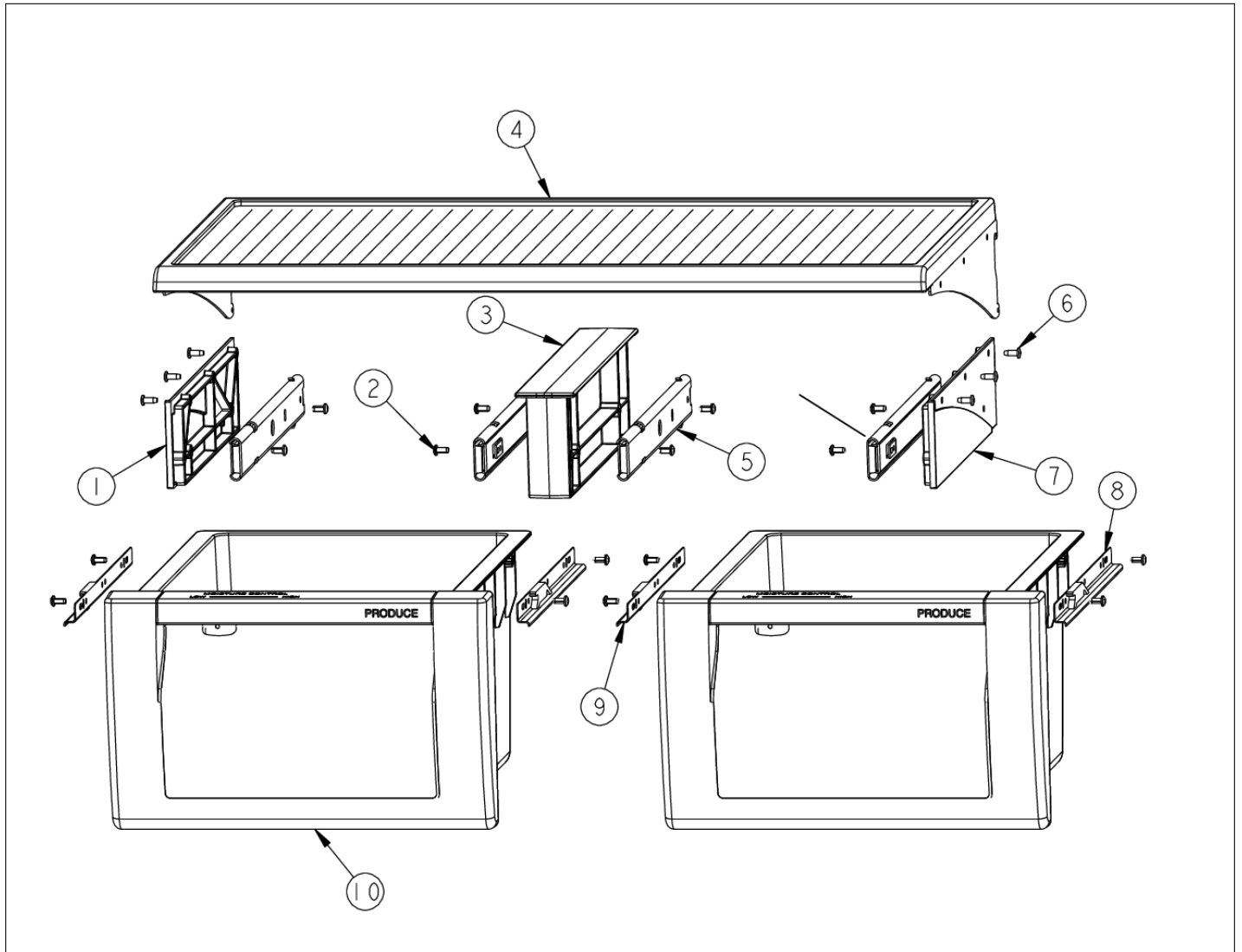
PE970609 CONTROL BOARD HARNESS





Item	Part No.	Name	Qty	Uom	NOTES
1	PE970609	HARNESS CONTROL BOARD 5 SERIES	1	EA	

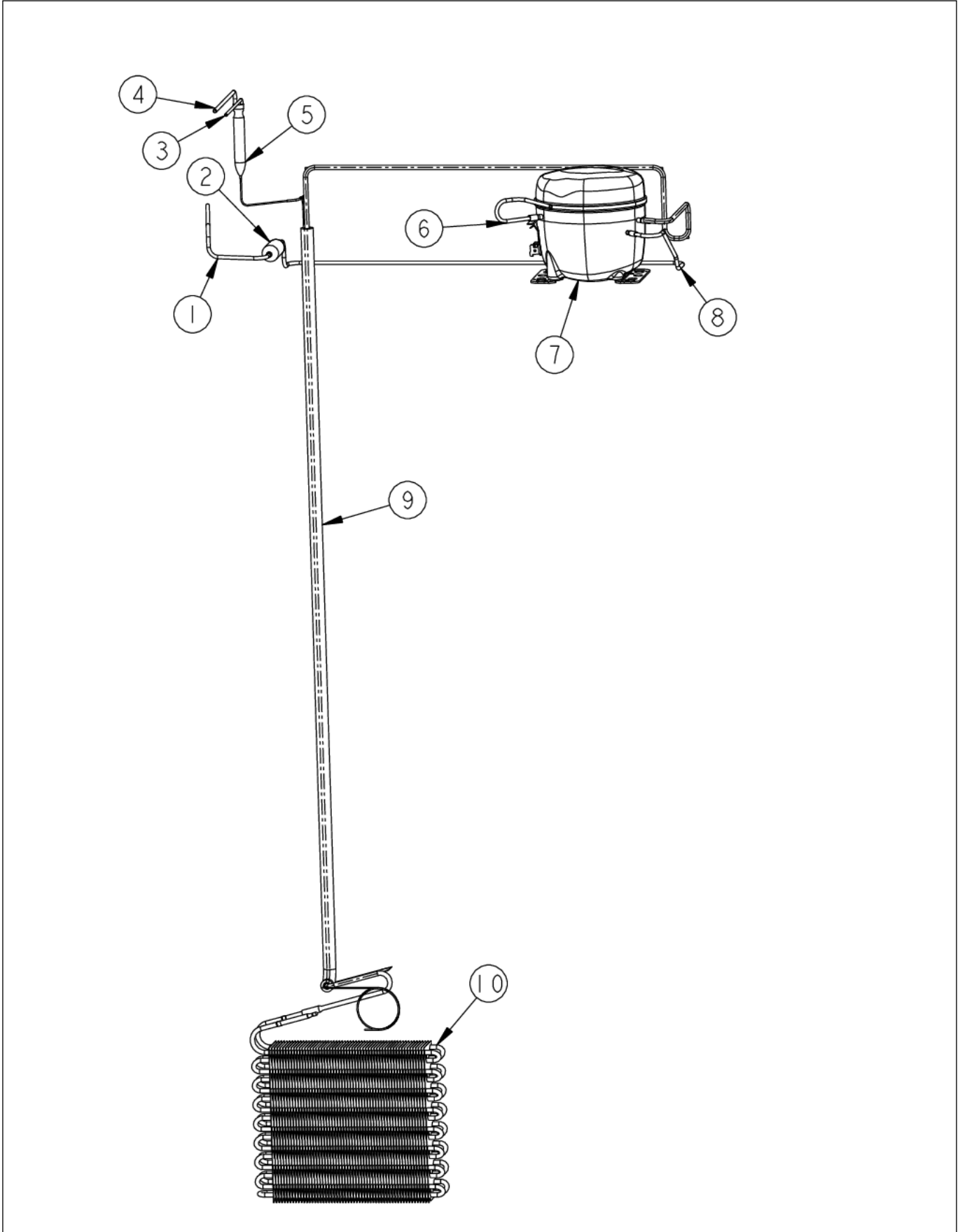
PRODUCE DRAWER





Item	Part No.	Name	Qty	Uom	NOTES
1	044219-000	SUPPORT SLIDER L	1	EA	
2	PD920161	SCR 8-16 PLASTITE PNP 3/8 S	1	EA	
3	PK030439	GLIDE CENTER SUPPORT	1	EA	
4	043624-000	SHELF ASM GLASS 30 AR 48 FF	1	EA	
5	046255-000	SLIDE, DWR, SOFT CLOSE, LH	2	EA	
6	PD020032	SRW-8(A)X3/8"PH.WFR HD 7/16DIA*NICL	1	EA	
7	044214-000	SUPPORT SLIDER R	1	EA	
8	PM910343	RAIL DRAWER R	1	EA	
9	PM910342	RAIL DRAWER L	1	EA	
10	009925-000	PRODUCE AR 30 SXS 48	2	EA	
11	046235-000	SLIDE, DWR, SOFT CLOSE-RH	2	EA	

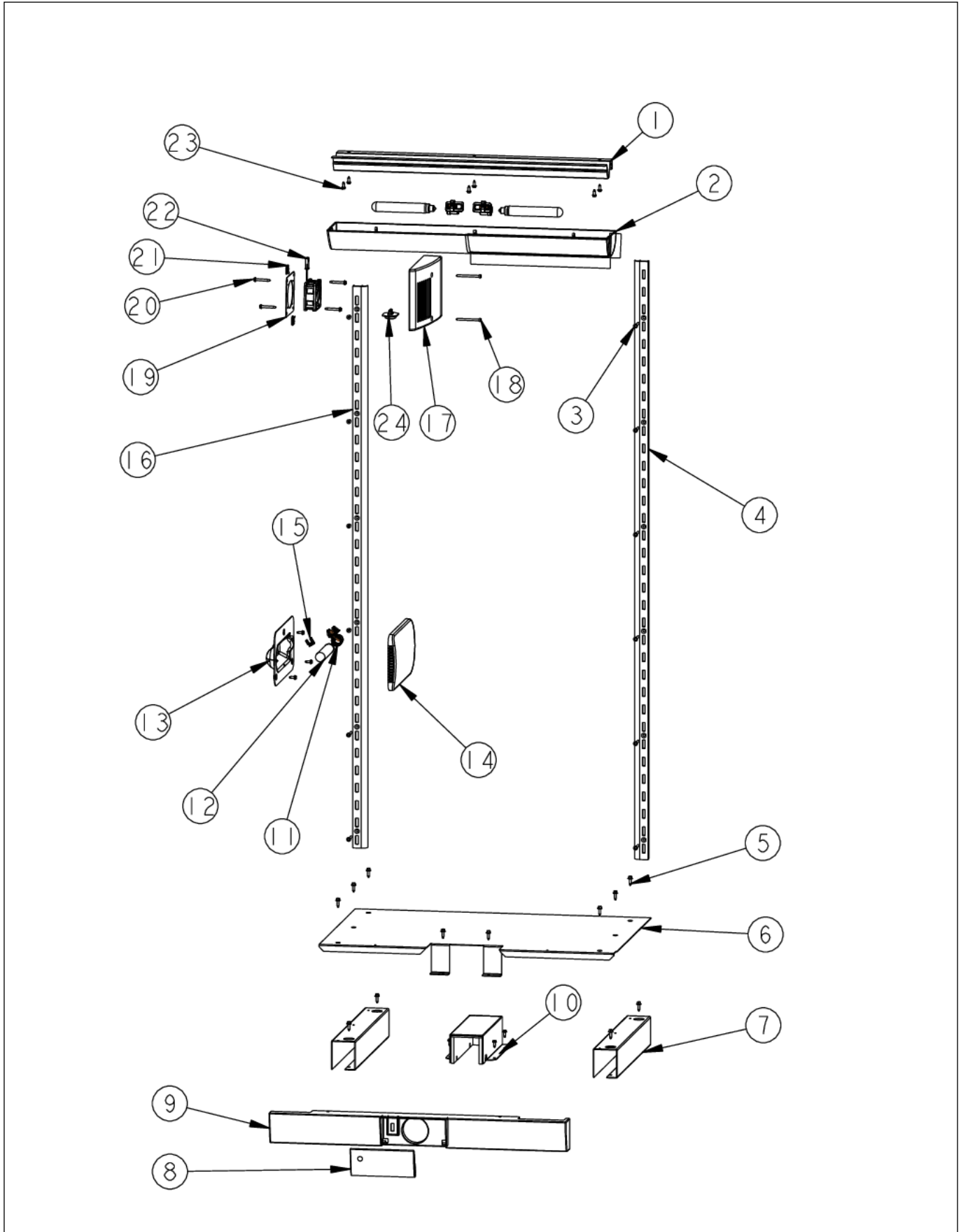
REFRIGERANT SYSTEM





Item	Part No.	Name	Qty	Uom	NOTES
1	F2099444	TUBE DISCHARGE FORMED POST ACCUM	1	EA	
2	PB920201	ACCUMULATOR	1	EA	
3	F2096504	TUBE-DRIER EXT	1	EA	
4	F2097740	TUBE PROCESS	1	EA	
5	PM010616	DRIER - HIGH SIDE	1	EA	
6	F2096507	TUBE-PROCESS GRN	1	EA	
7	G5097976	Compressor Assembly (Includes Drier)	1	EA	
8	F2099443	TUBE DISCHARGE FORMED PRE ACCUM	1	EA	
9	PB920155	HEAT EXCHANGER ASM SXS 48	1	EA	
10	PM910206	EVAPORATOR SXS 48	1	EA	

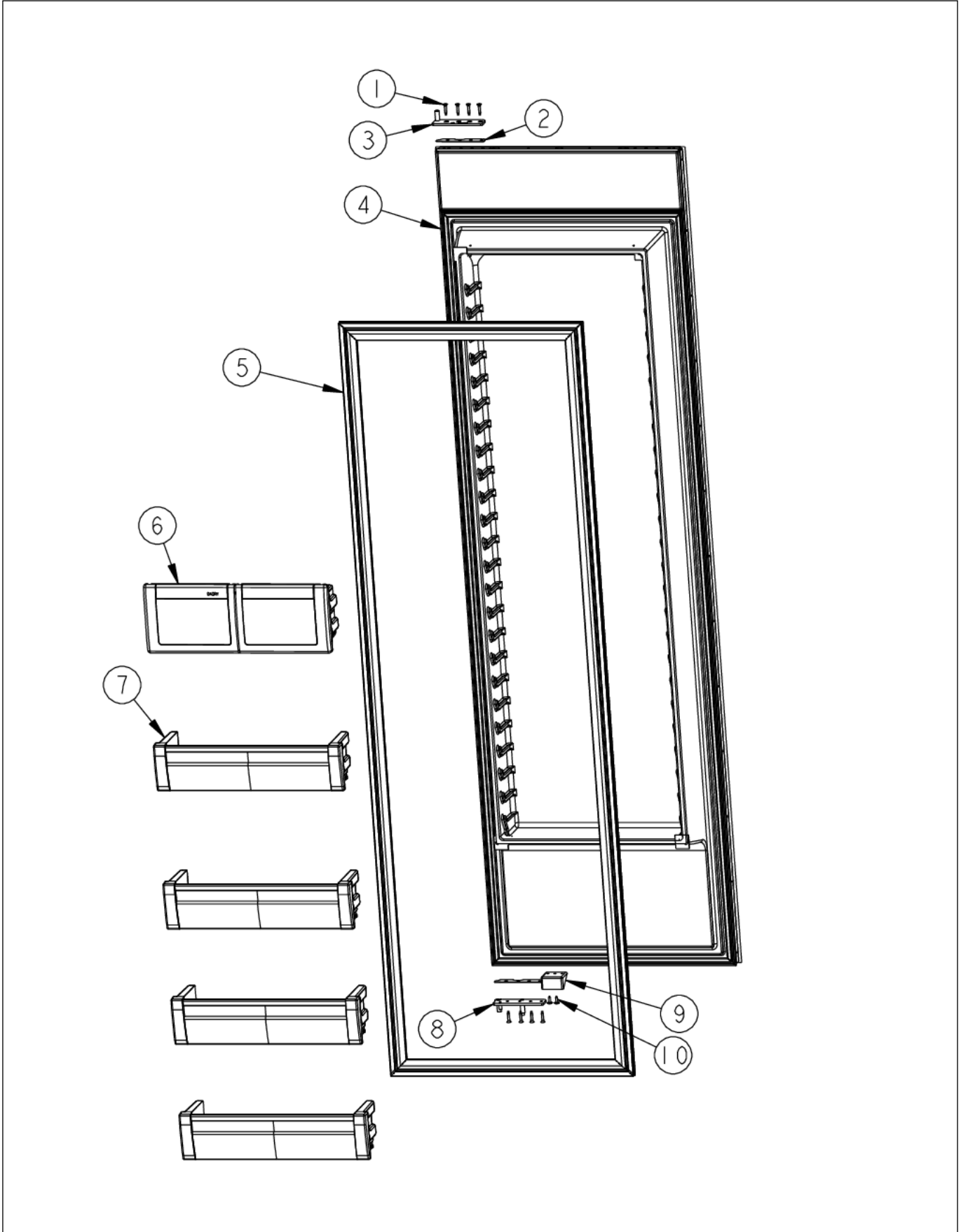
REFRIGERATOR COMPARTMENT





Item	Part No.	Name	Qty	Uom	NOTES
1	L2099492	BRACKET LIGHT SXS 48 FF	1	EA	
2	020114-000	COVER LIGHT ASM AF/AR 30 SXS 48 FF	1	EA	
3	M0238535	SCREW-SM	1	EA	
4	PM910227	LADDER RS REF	1	EA	
5	PD020195	SCR 8-18 X 5/8	1	EA	
6	L20913095	FLOOR-FALSE	1	EA	
7	K20913096	BRACKET FALSE FLOOR	1	EA	
8	PK930313	COVER WATER FILTER SXS DISP	1	EA	
9	PK930364	COVER FALSE FRONT	1	EA	
10	G50913708	ASM COVER WATER FILTER	1	EA	
11	PE950125	LIGHT SOCKET	1	EA	
12	004528-000	LAMP, 40 WATT CLEAR LIGHT	1	EA	
13	10270203	HOUSING-LIGHT V10270203	1	EA	
14	PK930346	COVER LIGHT	1	EA	
15	B5733302	CLIP-GROUND	1	EA	
16	PK020079	LADDER FF L SXS 42D/48D	1	EA	
17	PK930085	COVER FAN SXS 48 FF	1	EA	
18	M0221913	SCREW-SM	1	EA	
19	K2096475	FAN MOUNTING PLATE	1	EA	
20	PD020188	SCR 8-18 BT HXWS 1 1/2	1	EA	
21	M0288120	NUT-SPEED VM0288120	1	EA	
22	004551-000	AXIAL FAN	1	EA	
Comments for Part Num. 004551-000					
gboltz@VikingRange.com on Jul 21, 2016					
View service bulletin TR-0052-SP before ordering fan, if applicable order kit instead of fan					
23	PD020194	SCR, HEX SRTD WSHR HD, #8-18 X 1/2	1	EA	
24	C8983701	THERMISTOR	1	EA	
NI	019244-000	ACCESSORY, ASM	1	EA	

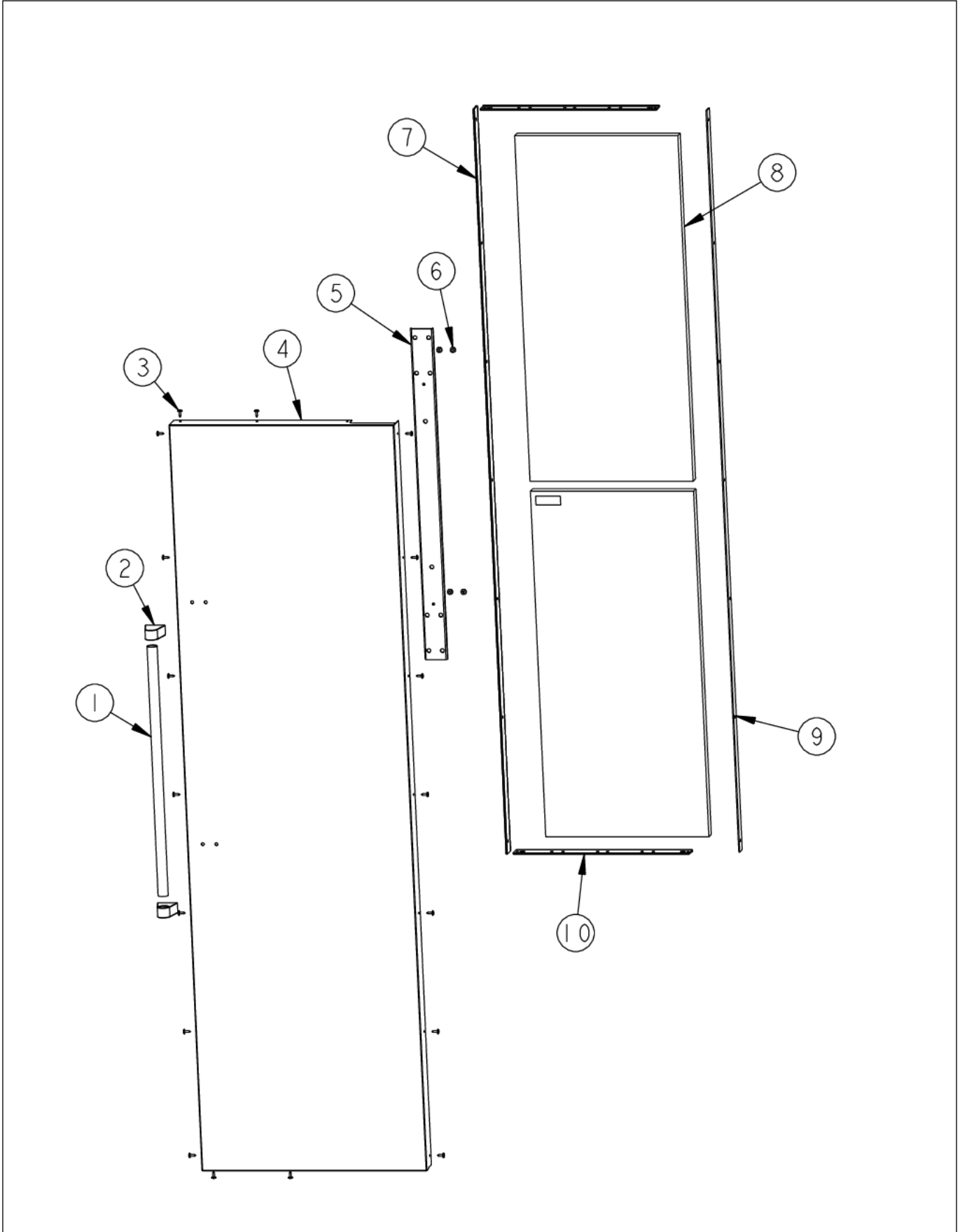
REFRIGERATOR DOOR FOAM AREA





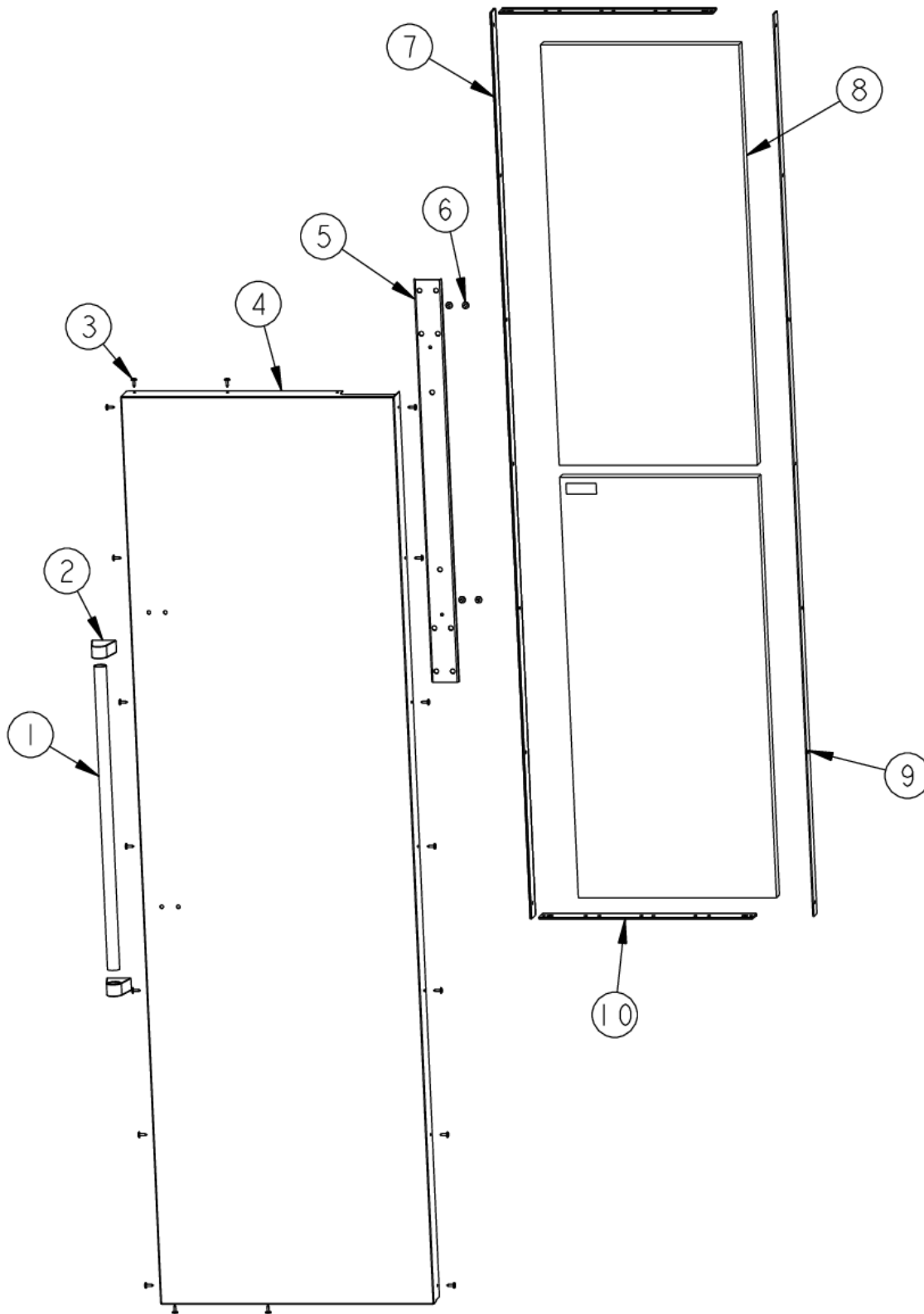
Item	Part No.	Name	Qty	Uom	NOTES
1	PD920174	10-32 TORX HEAD SCREW	1	EA	
2	PD040162	SPACER-DOOR HINGE	1	EA	
3	PC020278	PIVOT PL ASM RH UP PRO/DES	1	EA	
4	G32915040	DOOR ASM 48/48D FF	1	EA	
Not Shown	NOTE	(Includes Gasket)		EA	
5	001954-000	SERV. GASKET FACE CHARGE	1	EA	
Not Shown	NOTE	(BEFORE 06-10-08)		EA	
5	005454-000	GASKET,ASM,48,SXS,FF VID# 602711907-17	1	EA	
Not Shown	NOTE	(ON OR AFTER 06-10-08)		EA	
6	V12203602	DAIRY MODULE ASSY #	1	EA	
7	036886-000	DOORBIN ASM SXS 48 FF	1	EA	
8	016181-000	PIVOT PL ASM RH LW PRO/DES	1	EA	
9	PD050019	STRIKER DOOR SWITCH	1	EA	
10	M0210458	SCREW-SM	1	EA	

REFRIGERATOR DOOR SKIN AREA



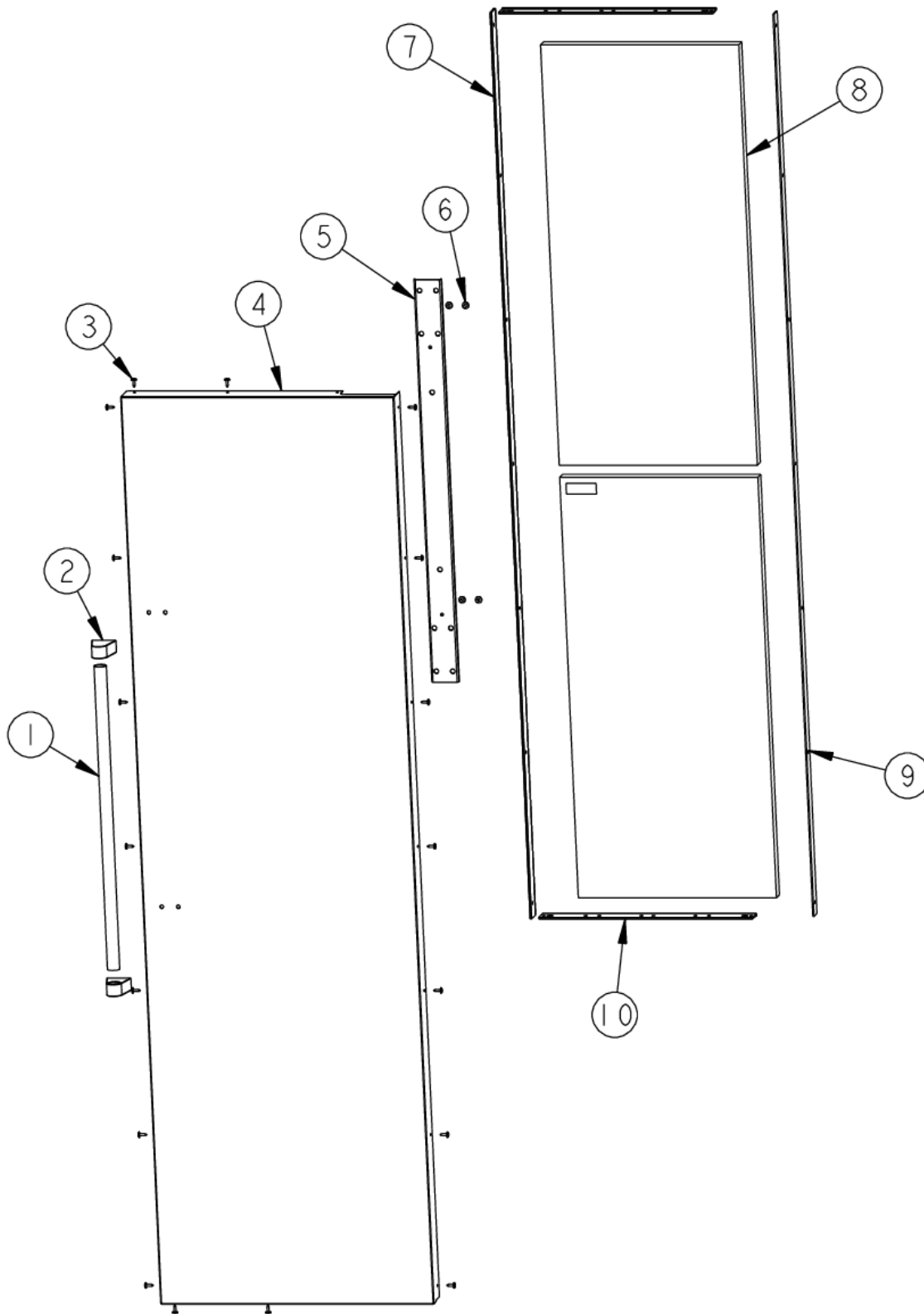


Item	Part No.	Name	Qty	Uom	NOTES
1	PE930101	VCSB482 HANDLE -(12466403)	1	EA	
Not Shown	PE030173PVD	BRASS HANDLE	1	EA	Not available online / Call for pricing and availability
2	000268-000	HANDLE ENDCAP	1	EA	
Not Shown	PE030012PVD	DOOR HANDLE - RH - (30"/48") PVD	1	EA	
3	M0210458	SCREW-SM	1	EA	
4	B20916350	SKIN DOOR SXS 48 FF PROI	1	EA	
4	002017-006	SKIN,DOOR,SXS 48 FF PROI WH	1	EA	NO LONGER AVAILABLE, Not available online / Call for pricing and availability
4	002017-007	SKIN,DOOR,SXS 48 FF PROI AL	1	EA	NO LONGER AVAILABLE, Not available online / Call for pricing and availability
Not Shown	NOTE	(Before 01/01/08)		EA	
4	002017-003	SKIN,DOOR,SXS 48 FF PROI BT	1	EA	NO LONGER AVAILABLE, Not available online / Call for pricing and availability
Not Shown	NOTE	(Before 01/01/08)		EA	
4	002017-014	SKIN,DOOR,SXS 48 FF PROI EP	1	EA	NO LONGER AVAILABLE, Not available online / Call for pricing and availability
Not Shown	NOTE	(Before 01/01/08)		EA	
4	002017-011	SKIN,DOOR,SXS 48 FF PROI FG	1	EA	NO LONGER AVAILABLE, Not available online / Call for pricing and availability
Not Shown	NOTE	(Before 01/01/08)		EA	
4	002017-002	SKIN,DOOR,SXS 48 FF PROI BK	1	EA	NO LONGER AVAILABLE



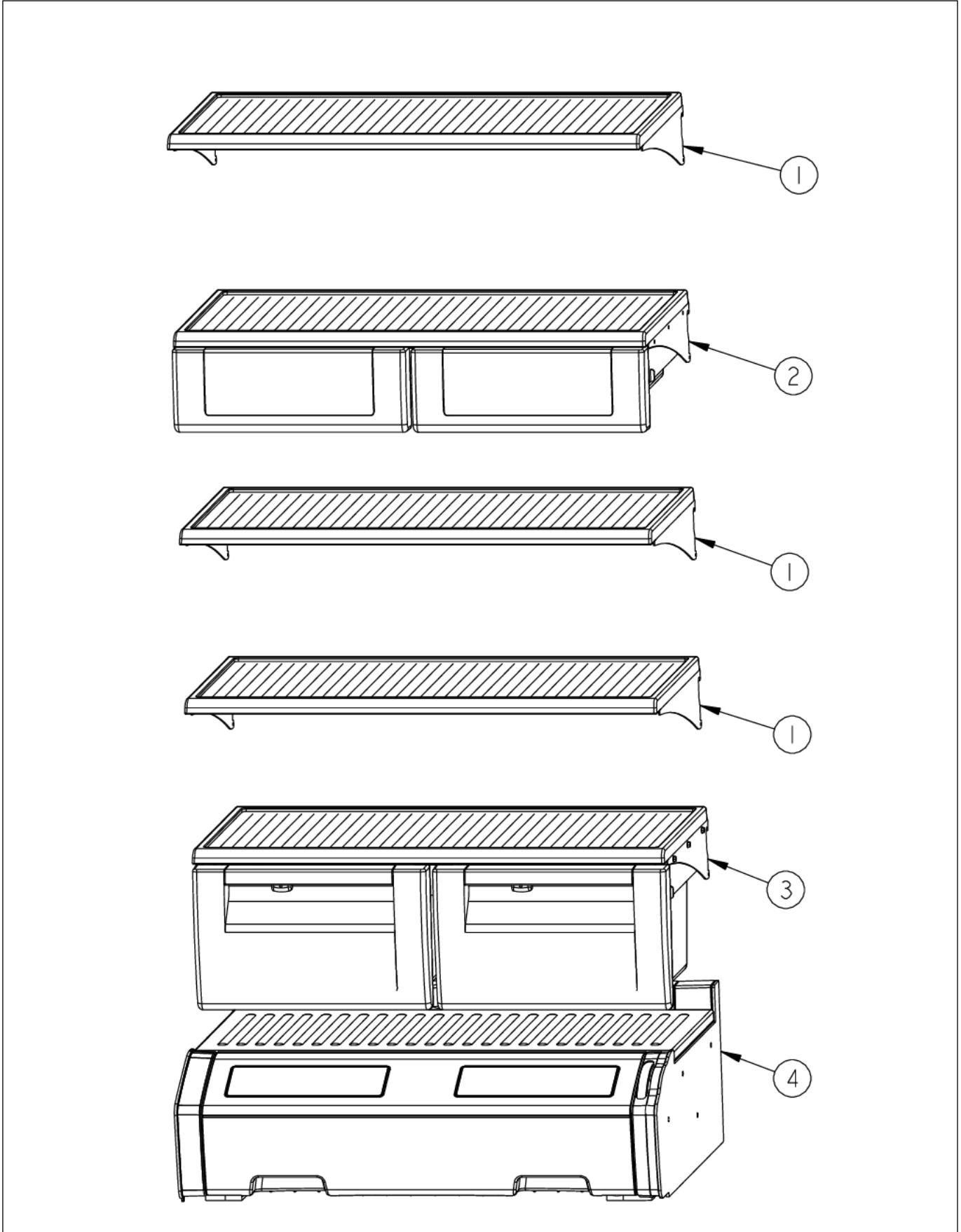


Item	Part No.	Name	Qty	Uom	NOTES
4	002017-008	SKIN,DOOR,SXS 48 FF PROI BU	1	EA	NO LONGER AVAILABLE, Not available online / Call for pricing and availability
4	002017-013	SKIN,DOOR,SXS 48 FF PROI CB	1	EA	NO LONGER AVAILABLE, Not available online / Call for pricing and availability
4	002017-005	SKIN,DOOR,SXS 48 FF PROI GG	1	EA	NO LONGER AVAILABLE, Not available online / Call for pricing and availability
4	002017-009	SKIN,DOOR,SXS 48 FF PROI LE	1	EA	NO LONGER AVAILABLE, Not available online / Call for pricing and availability
4	002017--010	DOOR SKIN - (MJ)	1	EA	Not available online / Call for pricing and availability
4	002017-004	SKIN,DOOR,SXS 48 FF PROI SG	1	EA	NO LONGER AVAILABLE, Not available online / Call for pricing and availability
4	002017-012	SKIN,DOOR,SXS 48 FF PROI VB	1	EA	NO LONGER AVAILABLE, Not available online / Call for pricing and availability
4	002017-024	SKIN,DOOR,SXS 48 FF PROI AR	1	EA	
Not Shown	NOTE	(After 01/01/08)		EA	
4	002017-016	SKIN,DOOR,SXS 48 FF PROI CH	1	EA	
Not Shown	NOTE	(After 01/01/08)		EA	
4	002017-018	SKIN,DOOR,SXS 48 FF PROI CW - NLA	1	EA	
Not Shown	NOTE	(After 01/01/08)		EA	
4	002017-020	SKIN,DOOR,SXS 48 FF PROI GM	1	EA	Not available online / Call for pricing and availability



Item	Part No.	Name	Qty	Uom	NOTES
Not Shown	NOTE	(After 01/01/08)		EA	
4	002017-023	SKIN,DOOR,SXS 48 FF PROI IB	1	EA	
Not Shown	NOTE	(After 01/01/08)		EA	
4	002017-027	SKIN,DOOR,SXS 48 FF PROI MS	1	EA	
Not Shown	NOTE	(After 01/01/08)		EA	
4	002017-019	SKIN,DOOR,SXS 48 FF PROI OG	1	EA	
Not Shown	NOTE	(After 01/01/08)		EA	
4	002017-015	SKIN,DOOR,SXS 48 FF PROI PL	1	EA	
Not Shown	NOTE	(After 01/01/08)		EA	
4	002017-026	SKIN,DOOR,SXS 48 FF PROI PM	1	EA	
Not Shown	NOTE	(After 01/01/08)		EA	
4	002017-025	SKIN,DOOR,SXS 48 FF PROI RR	1	EA	
Not Shown	NOTE	(After 01/01/08)		EA	
4	002017-021	SKIN,DOOR,SXS 48 FF PROI SA	1	EA	
Not Shown	NOTE	(After 01/01/08)		EA	
4	002017-022	SKIN,DOOR,SXS 48 FF PROI SE	1	EA	
Not Shown	NOTE	(After 01/01/08)		EA	
4	002017-017	SKIN,DOOR,SXS 48 FF PROI TP	1	EA	
Not Shown	NOTE	(After 01/01/08)		EA	
5	K2097526	Bracket, Handle Support (Frz.)	1	EA	
6	M0204303	SCREW-MACH	1	EA	
7	PE940176	Door Trim - Side	1	EA	
8	PM910068	FOAM, DOOR SKIN (SXS)	1	EA	
9	014581-000	SPACER,TRIM,SXS,AF,AR	1	EA	
10	056841-000	TRIM, FF, TOP/BTM, 48	1	EA	

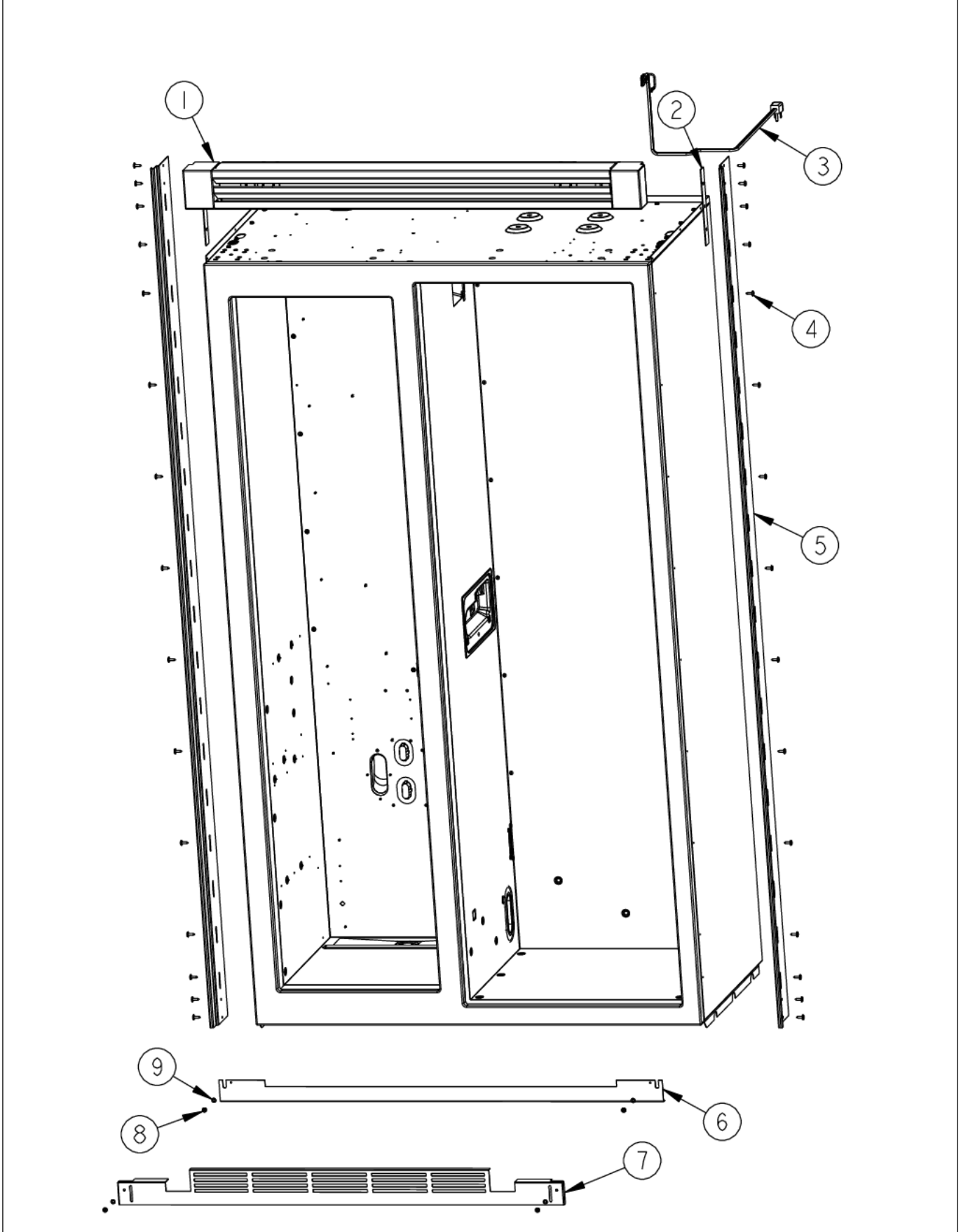
REFRIGERATOR SHELVING





Item	Part No.	Name	Qty	Uom	NOTES
1	043624-000	SHELF ASM GLASS 30 AR 48 FF	1	EA	
2	DELI DRAWER	SEE PAGE 002 FOR BREAKDOWN	1	EA	
3	Produce Drawer	SEE PAGE 003 FOR BREAKDOWN	1	EA	Not available online / Call for pricing and availability
4	CONV. MEAT SAVER DRAWER	SEE PAGE 004 FOR BREAKDOWN	1	EA	

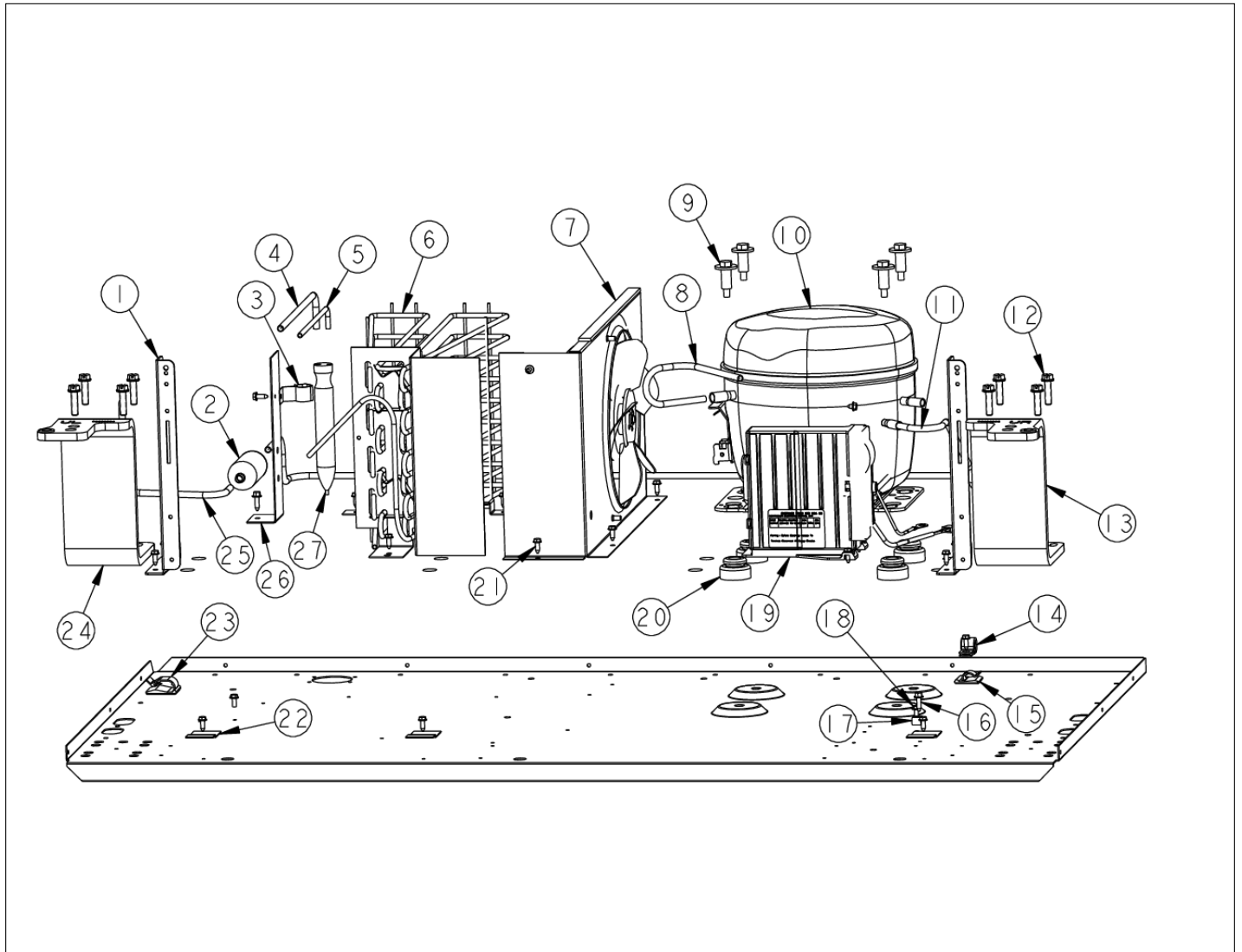
UNIT EXTERIOR





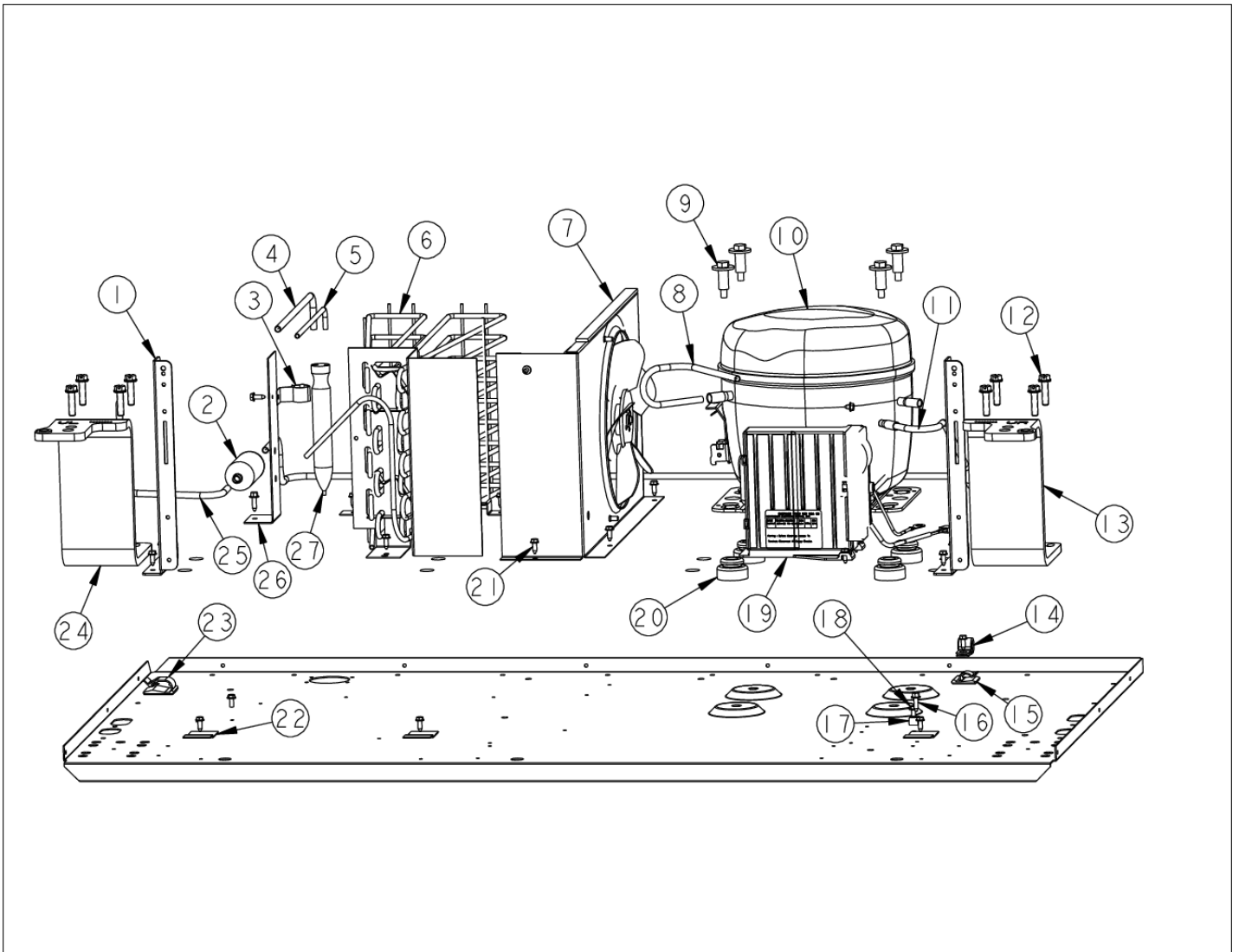
Item	Part No.	Name	Qty	Uom	NOTES
1	G32916307	GRILLE ASM SXS 48 PROI		EA	
Not Shown	NOTE	(For breakdown see page 016)		EA	
2	12135402	SHIM-CAB TRIM		EA	
3	10916507	CORD-POWER 5 SERIES		EA	
4	M0215318	SCREW-SM		EA	
5	PK920066	TRIM, EXTRU, SIDE DES		EA	
6	000152-002	KICKPLATE, LWR		EA	
7	C90910004BK	GRILLE TOE VENTED		EA	
8	M0210443	SCREW-E SM VM0210443		EA	
9	40370P01	NYLON FLAT WASHER V40370P01		EA	
NI	PK930299	COLLAR SLEEVE SXS DISP		EA	

UPPER UNIT AREA





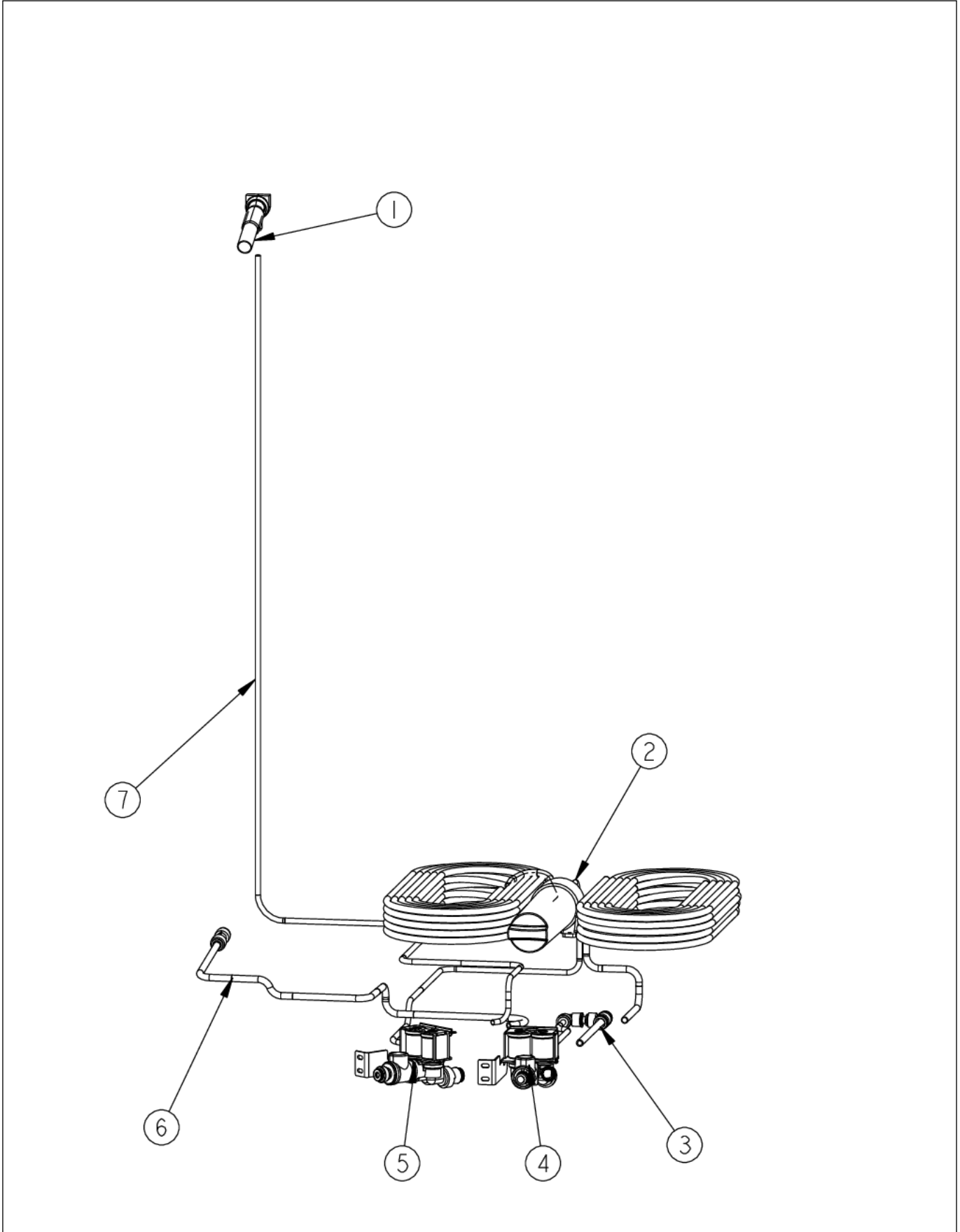
Item	Part No.	Name	Qty	Uom	NOTES
1	K20912569	BRACKET GRILLE SUPPORT	1	EA	
2	PB920201	ACCUMULATOR	1	EA	
3	10547001	CLIP-DRIER V10547001	1	EA	
4	F2097740	TUBE PROCESS	1	EA	
5	F2096504	TUBE-DRIER EXT	1	EA	
6	PB920171	CONDENSER ASM	1	EA	
7	G5096494	COND. FAN ASSY	1	EA	
8	F2096507	TUBE-PROCESS GRN	1	EA	
9	M0221523	SCREW - SHLDR	1	EA	
10	G5097976	Compressor Assembly (Includes Drier)	1	EA	
11	F2099443	TUBE DISCHARGE FORMED PRE ACCUM	1	EA	
12	000570-000	FASTENER, BOLT, 1/4-20 IHXWS 1" S ZN SER	1	EA	
13	PC920203	HINGE ASM UR	1	EA	
14	PD030118	INSULATED CLAMP	1	EA	
15	M0104106	CLIP-CORD VM0104106	1	EA	
16	PD020195	SCR 8-18 X 5/8	1	EA	
17	M0103904	CLAMP-SPEED	1	EA	NO LONGER AVAILABLE, Not available online / Call for pricing and availability
18	PD020010	10 X 3/8 GREEN GROUNDING SCREW	1	EA	
19	011666-000	INVERTER,CMPR,ASM	1	EA	
Comments for Part Num. 011666-000					
gboltz@VikingRange.com on Aug 9, 2018					
See 2018-01P Parts Bulletin					
20	10835901	GROMMET RUBBER V10835901	1	EA	
21	PD020194	SCR, HEX SRTD WSHR HD, #8-18 X 1/2	1	EA	
22	K2096943	PANEL BRACKET	1	EA	
23	M0104102	CLIP-CORD RED	1	EA	
24	PC920204	HINGE ASM UL	1	EA	





Item	Part No.	Name	Qty	Uom	NOTES
25	F2099444	TUBE DISCHARGE FORMED POST ACCUM	1	EA	
26	K2099454	BRACKET DRIER	1	EA	
27	PM010616	DRIER - HIGH SIDE	1	EA	

WATER SYSTEM





Item	Part No.	Name	Qty	Uom	NOTES
1	G5096419	FILL TUBE ASSY	1	EA	
Comments for Part Num. G5096419					
bradleysapplianceservice@shaw.ca on May 11, 2018					
This part G5096419 does NOT come with the aluminum tube.					
If aluminum tube is required, order 005899-000 and cut to size.					
2	041669-000	FILTER/COIL TUBE ASSEMBLY	1	EA	
3	PB020322	TUBE AND FITTING ASM	1	EA	
4	PA070014	WATER VALVE	1	EA	
5	G32913791	BRKT & VALVE H2O DUAL ASM	1	EA	
6	PB020294	TUBE ASM-DOOR TO VALVE	1	EA	
7	PB020303	Water Line	1	EA	
NI	PB020302	PLASTIC TUBING-DOOR WATERLINE SXS DISP	1	EA	



Appendix A:Pages Index

040066-000 HARNESS LOWER JUMPER 1
040078-000 HARNESS DISP CAVITY 2
040085-000 HARNESS MAIN 3
10916507 POWER CORD 4
CONTROL AREA 5
CONVERTIBLE MEAT SAVER 6
DELI DRAWER7
DISP AREA 8
EVAPORATOR AREA 9
FREEZER COMPARTMENT 10
FREEZER DOOR FOAM AREA 11
FREEZER DOOR SKIN AREA 12
FREEZER SHELVING 13
ICE MAKER AREA 14
LOWER UNIT AREA 15
MC COVER AND GRILLE AREA 16
PE070785 HIGH VOLT HARNESS 17
PE970464 LOW VOLT HARNESS 18
PE970595 MACHINE HARNESS 19
PE970609 CONTROL BOARD HARNESS 20
PRODUCE DRAWER 21
REFRIGERANT SYSTEM 22
REFRIGERATOR COMPARTMENT 23
REFRIGERATOR DOOR FOAM AREA 24
REFRIGERATOR DOOR SKIN AREA 25
REFRIGERATOR SHELVING 26
UNIT EXTERIOR 27
UPPER UNIT AREA 28
WATER SYSTEM 29



Appendix B:Parts Index

000152-002	27	002026-010	12
000268-000	12, 25	002026-011	12
000570-000	15, 28	002026-012	12
000656-000	12	002026-013	12
001948-000	11	002026-014	12
001954-000	24	002026-015	12
002017--010	25	002026-016	12
002017-002	25	002026-017	12
002017-003	25	002026-018	12
002017-004	25	002026-019	12
002017-005	25	002026-020	12
002017-006	25	002026-021	12
002017-007	25	002026-022	12
002017-008	25	002026-023	12
002017-009	25	002026-024	12
002017-011	25	002026-025	12
002017-012	25	002026-026	12
002017-013	25	002026-027	12
002017-014	25	002667-000	15
002017-015	25	002668-000	15
002017-016	25	00334-000	8
002017-017	25	004528-000	10, 23
002017-018	25	004551-000	6, 10, 15, 23
002017-019	25	005319-000	5
002017-020	25	005454-000	24
002017-021	25	005456-000	11
002017-022	25	009925-000	21
002017-023	25	011666-000	28
002017-024	25	013685-000	8, 8
002017-025	25	014581-000	12, 25
002017-026	25	015813-000	14
002017-027	25	016181-000	24
002026-002	12	016182-000	11
002026-003	12	016593-000	5
002026-004	12	019144-000	14
002026-005	12	019244-000	23
002026-006	12	020114-000	23
002026-007	12	020117-000	10
002026-008	12	029418-000	14
002026-009	12	036886-000	24
		036888-000	11



VISB483DJMAG-RSERIES

040066-000	1	B20915627	15
040078-000	2	B20916321	16
041624-000	8	B20916322	16
041669-000	29	B20916323	16
043051-000	3	B20916337	16
043156-000	14	B20916338	16
043624-000	7, 21, 26	B20916350	25
044214-000	7, 21	B20916352	12
044219-000	7, 21	B2096961	16
044232-000	6	B2096962	16
044370-000	15	B5733302	23
044384-000	6	B8385402	8
045692-000	6	C8983701	10, 23
046235-000	7, 21	C90910004BK	27
046255-000	7, 21	C90910027WH	14
056841-000	25	C90914113WH	14
056842-000	12	F20915693	15
058966-000	9	F2096504	22, 28
060890-000	15	F2096507	22, 28
060891-000	15	F2097740	22, 28
10270203	23	F2099443	22, 28
10276601	14	F2099444	22, 28
10428101	9	G32913791	29
10527401	9	G32915039	11
10547001	28	G32915040	24
10623003	9	G32916307	27
10629001	9	G50911843	15
10835901	28	G50911853	15
10916507	4, 27	G50913708	23
12064001	5	G50914155	8
12064701	13	G5096419	29
12135402	27	G5096494	28
12258501	14	G5097976	22, 28
40370P01	27	G5098660	9
A3030303	9	K20910007	16
A3030361	5, 9	K20910008	16
A3189370	9	K20910060	5
A4554806	15, 16	K20910061	5
A4554817	5, 15	K20911831	15
B10910081	8	K20912569	28
B20911863	14	K20913096	23



VISB483DJMAG-RSERIES

K20913790	15	M0215318	8, 11, 27
K20914175	15	M0220417	15, 16
K20915000	5	M0221523	15, 28
K20915675	16	M0221913	10, 23
K20915904	16	M0223101	14
K20915952	15	M0223509	16
K2096456	9	M0224128	5
K2096457	9	M0238535	10, 23
K2096458	9	M0238846	5
K2096461	9	M0238859	9
K2096475	10, 23	M0253916	15
K2096943	28	M0270510	16
K2097526	12, 25	M0270546	8
K2098044	15	M0288120	5, 10, 23
K2098096	15	M0585504	5
K2098654	5	M0585506	5
K2099402	5	PA070014	15, 29
K2099454	28	PB020294	29
K2099455	16	PB020302	29
K2099459	16	PB020303	29
K2099460	16	PB020322	29
L20910054	10	PB070355	16
L20910056	10	PB070361	16
L20910057	10	PB070362	16
L20910067	13	PB910233	8
L20910075	10	PB920155	22
L20913095	23	PB920171	28
L20914114	10	PB920201	22, 28
L20914115	10	PB970171	16
L2097158WH	10, 14	PB980026	8
L2099475	10	PC010022	8
L2099492	23	PC020278	24
M0103904	28	PC020279	11
M0104102	28	PC020288	15
M0104106	5, 28	PC020289	15
M0204303	12, 25	PC040010	5, 5, 16
M0210443	8, 27	PC910015	15
M0210458	11, 12, 24, 25	PC920144	15
M0211014	10	PC920145	15
M0211021	6, 14	PC920149	15
M0213503	14	PC920166	15



VISB483DJMAG-RSERIES

PC920203	28	PE950125	10, 23
PC920204	28	PE950146	15
PD020010	15, 28	PE950147	15
PD020013	5	PE950149	5
PD020032	7, 21	PE950158	14
PD020188	10, 23	PE950172	5
PD020191	14	PE970464	18
PD020193	8	PE970595	19
PD020194	5, 8, 9, 10, 13, 14, 15, 16, 23, 28	PE970609	20
PD020195	6, 23, 28	PF930487	5
PD020233	16	PF930672	5
PD020234	15	PJ910031	9
PD020274	15	PK020079	23
PD030006	12	PK030439	7, 21
PD030118	28	PK030470	8
PD030146	15	PK050004	16
PD040071	8	PK910089	16
PD040157	16	PK920066	27
PD040162	11, 24	PK930074	13
PD050019	11, 24	PK930075	13
PD920161	7, 21	PK930085	23
PD920174	11, 24	PK930086	10
PD920193	10	PK930096	14
PD940090	15	PK930107	13
PD940091	15	PK930172	6
PD940094	15	PK930173	6
PD940107	15	PK930174	6
PE010030	12	PK930175	6
PE010031	12	PK930176	6
PE010068	12	PK930264	14
PE010076	12	PK930265	14
PE030001PVD	12	PK930266	14
PE030012	12	PK930283	6
PE030012PVD	25	PK930284	6
PE030173PVD	25	PK930297	11
PE050248	15	PK930298	11
PE070728	5	PK930299	27
PE070755	8	PK930305	7
PE070785	17	PK930307	6
PE930101	12, 25	PK930308	6
PE940176	12, 25	PK930309	6



PK930313 23
PK930346 23
PK930348 15
PK930364 23
PK930404 8
PM010616 22, 28
PM010625 8
PM910068 25
PM910190 13
PM910206 9, 22
PM910227 23
PM910231 13
PM910287 6
PM910288 6
PM910325 5
PM910331C 14
PM910334 6
PM910342 7, 21
PM910343 7, 21
PM910375 10
PM910411 13
PM910435 14
Produce Drawer 26
V12203602 24
V12221005 8
V12268304 8