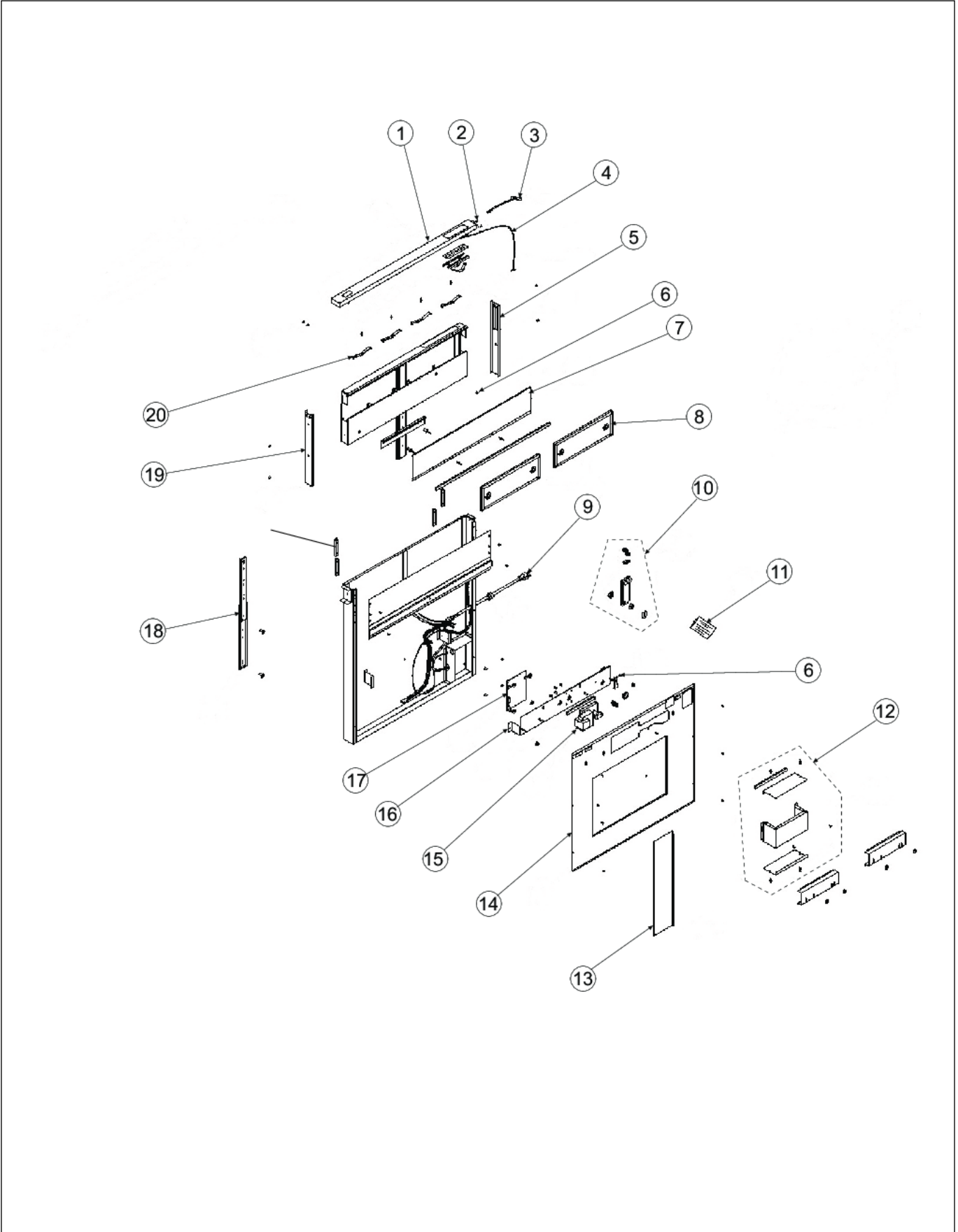


VIPR162SS

VIPR162SS	1
Appendix A:Pages Index	A
Appendix B:Parts Index	B





Item	Part No.	Name	Qty	Uom	NOTES
1	022208-000	TOP COVER ASSEMBLY (VIPR162SS)	1	EA	
2	PV300174	SCREW 8-18 PH HD VIPR 97015782	4	EA	
3	PV300182	UP/DOWN CONTROL ASSEMBLY	1	EA	
4	022205-000	SWITCH HARNESS	1	EA	
5	PV300115	RIGHT END CAP	1	EA	
6	PV300045	GROUND SCREW	2	EA	NO LONGER AVAILABLE
7	PV300118	TRIM PANEL	1	EA	
8	PV300113	SUB TO PV300186	2	EA	NO LONGER AVAILABLE
9	PV300197	POWER CORD ASSEMBLY	1	EA	
10	PV300123	CRANK ASSEMBLY	1	EA	
11	PV300095	FSTNR PK 6-10X1.5	1	EA	
12	PS200016	GEAR MOTOR COVER ASSEMBLY	1	EA	
13	PV210010	AIRBOX OPENING COVER	1	EA	
14	PS200018	AIRBOX FRONT (VIPR162RSS, VIPR162SS)	1	EA	NO LONGER AVAILABLE, Not available online / Call for pricing and availability
15	PS200015	GEAR MOTOR Kit (VIPR102RSS, VIPR162RSS, VIPR102SS, VIPR162SS)	1	EA	
16	PS200019	MOTOR BRACKET ASSEMBLY	1	EA	
17	022201-000	LOWER PCB	1	EA	
18	PV300120	CHIMNEY SLIDE	1	EA	
19	PV300116	LEFT END CAP	1	EA	
20	PV300111	SUB TO PV300154 - FLTR CLP NYL RIV	4	EA	NO LONGER AVAILABLE
21	PS200001	SPACER (99710032) VIPR	4	EA	



Appendix A:Pages Index

VIPR162SS 1



Appendix B:Parts Index

022201-000	1
022205-000	1
022208-000	1
PS200001	1
PS200015	1
PS200016	1
PS200018	1
PS200019	1
PV210010	1
PV300045	1
PV300095	1
PV300111	1
PV300113	1
PV300115	1
PV300116	1
PV300118	1
PV300120	1
PV300123	1
PV300174	1
PV300182	1
PV300197	1