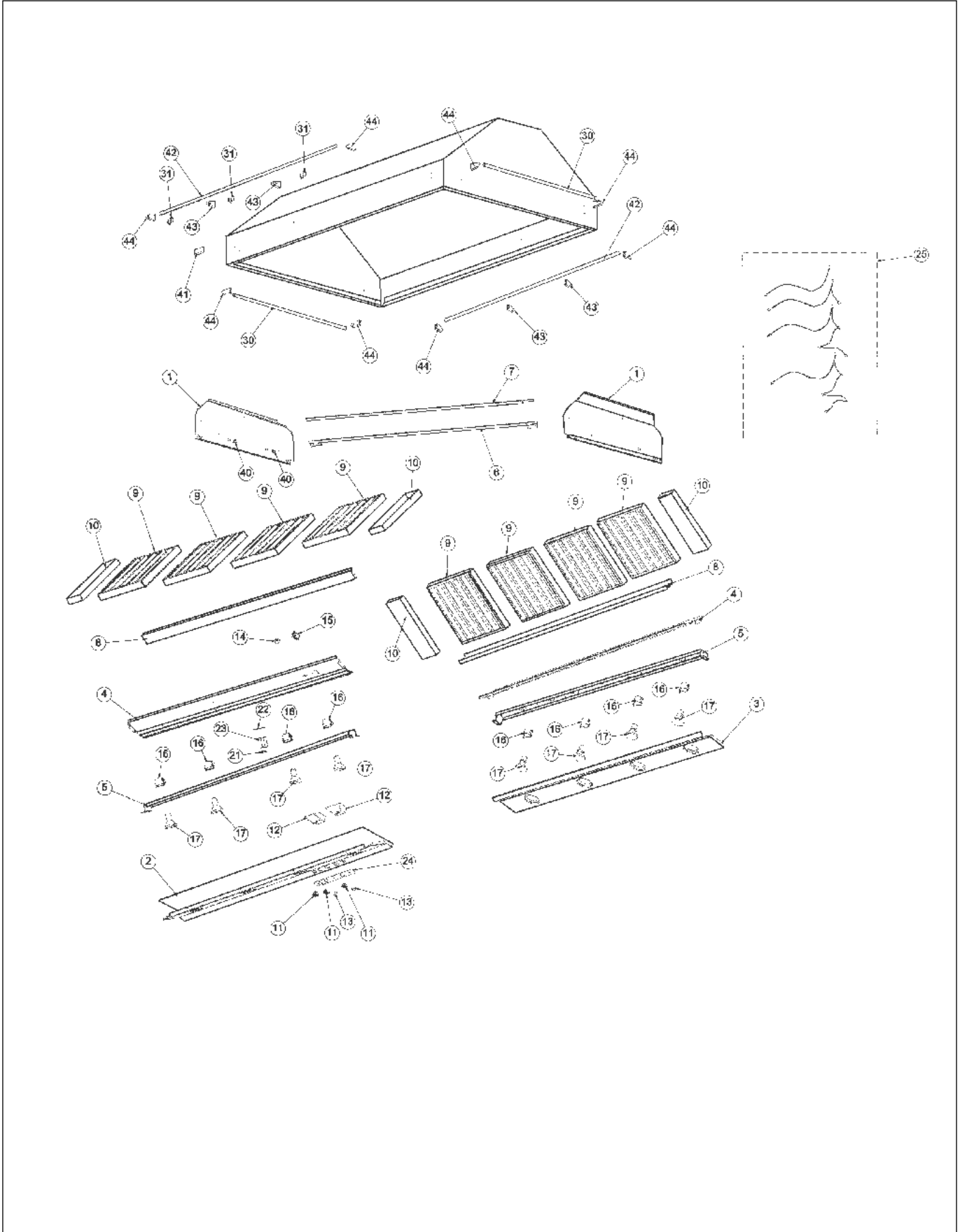


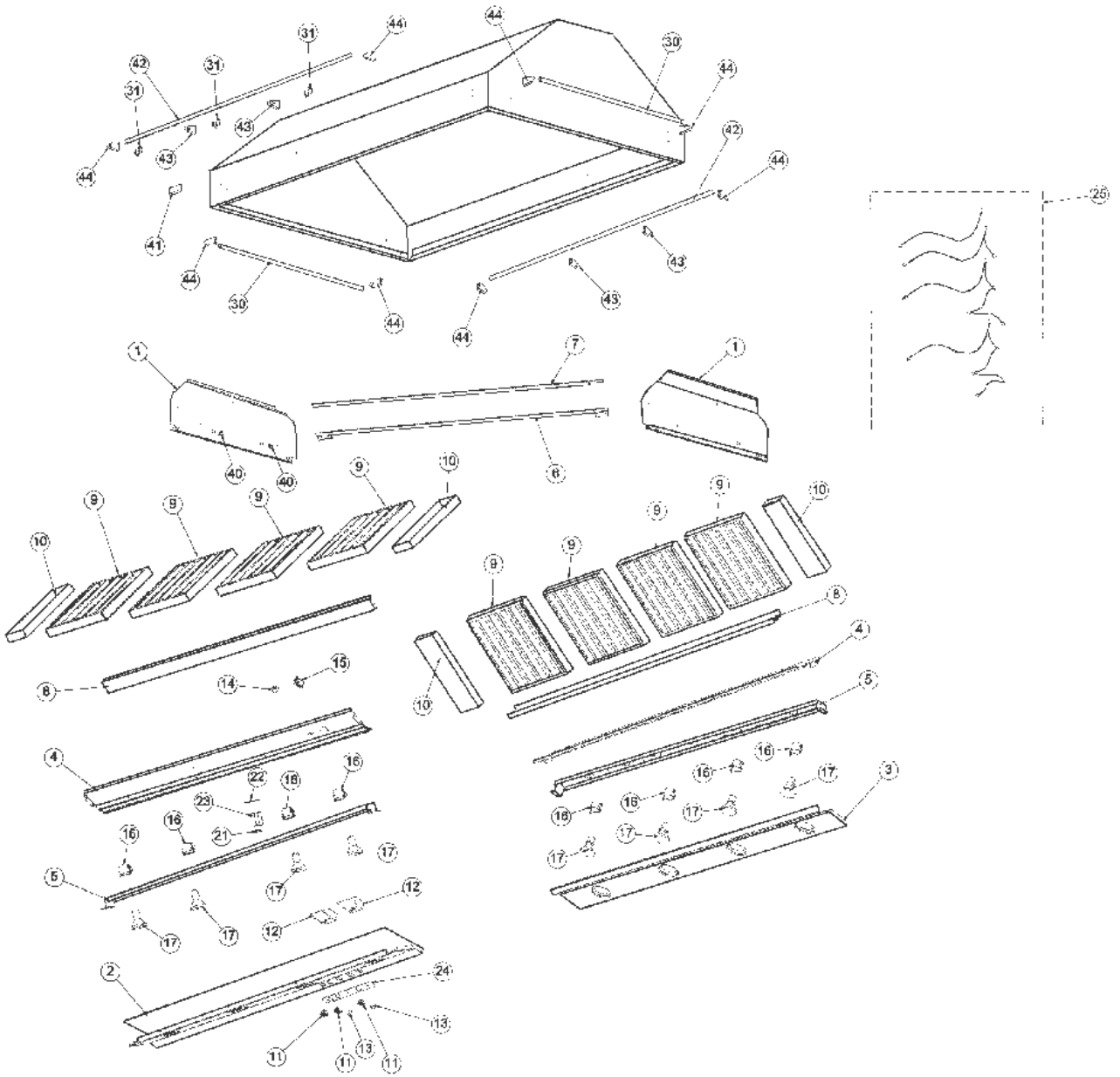
VIH42081

UNIT COMPONENTS	1
Appendix A:Pages Index	A
Appendix B:Parts Index	B

UNIT COMPONENTS

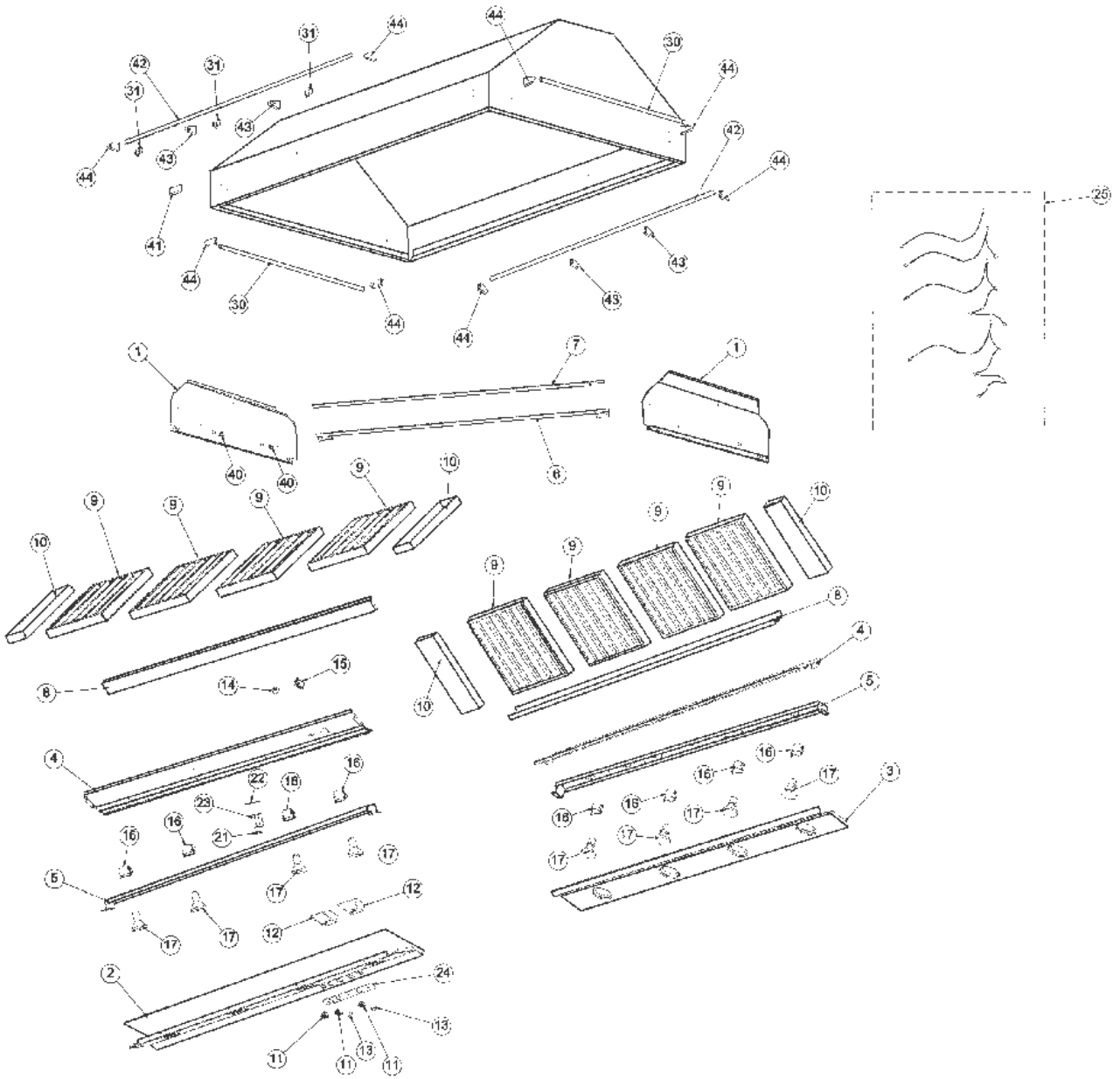


Item	Part No.	Name	Qty	Uom	NOTES
1	B2004061	HOOD I/S SIDE RH/LH(VIH36/42/54/66)	2	EA	NO LONGER AVAILABLE
2	B2004068	CTRL PAN FRONT (VIH4208)	1	EA	NO LONGER AVAILABLE
3	B2004065	CTRL PAN REAR (VIH4208)	1	EA	NO LONGER AVAILABLE
4	B2004069	CTRL PAN TOP (VIH4208)	1	EA	NO LONGER AVAILABLE, Not available online / Call for pricing and availability
5	A2004096	LIGHT SUPT (VIH42)	2	EA	NO LONGER AVAILABLE, Not available online / Call for pricing and availability
6	B2004092	HOOD FILTER SUPT BTM (VIH4208)	1	EA	
7	B2004072	HOOD FILTER SUPT TOP (VIH4208)	1	EA	
8	B2003887	GREASE TROUGH (VWH4248)/78	2	EA	
9	G3103955	FILTER ASSEMBLY 13.375" X 7"	4	EA	
10	B2004083	FILTER SPACER (VIH36/42) 5.895 X 7	4	EA	
11	PE050048	FAN/LIGHT SWITCH (HOODS) EP0M11J	2	EA	
12	062057-601	CNTRL, PRO LIGHT, 120VAC	1	EA	
13	PA010071	LIGHT/MOTOR CONTROLLER KNOB	2	EA	
14	PE070196	FEMALE SOCKET (2 PRONG)	1	EA	
15	PE070197	MALE SOCKET (3 PRONG)	1	EA	
16	013549-000	LIGHT SOCKET (125C LEADS)	4	EA	
17	PE050034	HALOGEN BULB 50W	4	EA	
21	PJ030014	HEAT SENSOR (N.O.) 160 DEG.	1	EA	
22	B2003837	HEAT SENSOR BRKT	1	EA	
23	A2103810	THERMODISC BRACKET VWH/VIH	1	EA	
24	PE040131	CTRL PNL GRPH REPL (30/3610 36/4208)	1	EA	
25	PE070381	VIH36/42 WIRE HARNESS	1	EA	
30	F0003878	ISLAND HOOD *SS* SIDE RAIL - CUT TO	2	EA	NO LONGER AVAILABLE





Item	Part No.	Name	Qty	Uom	NOTES
30	F0003877	SIDE RAIL - BRASS	2	EA	NO LONGER AVAILABLE
31	PE030076	CHROME "S" HOOKS REPL PV100012SS	4	EA	
31	PE030077	BR 'S' HOOKS REPL PV100012BR	4	EA	
32	PC040010	POP RIVET (.063/GR -.125) GAMD42-A	26	EA	
33	PD020010	10 X 3/8 GREEN GROUNDING SCREW	1	EA	
36	PD020009	10 X 1 PH. HD. PAN HD. SMS	8	EA	
37	PD020087	10 X 1/2 PAN PH. TEK ZINC	58	EA	
38	PD030010	#10-24 KEPS NUT ZINC PLATED	4	EA	
39	PD030059	TINNERMAN CLIP U-TYPE FASTNER	4	EA	
40	PD040005	SNAP BUSHING - 7/8"	2	EA	
41	PE010142	3" VIKING LOGO BLACK/CHROME	1	EA	
41	PE010144	3" LOGO *WH*CHROME	1	EA	NO LONGER AVAILABLE
41	PE010143	3" LOGO BK/BR	1	EA	
41	PE010145	LOGO - WH / BR	1	EA	
42	PE030121	ACCESSORY RAIL - SS	2	EA	
42	F0003870	42" - *BR* CUT TO SIZE FRONT/REAR R	2	EA	NO LONGER AVAILABLE
43	PE030052	SUPPORT TUBE, HOLE THROUGH	4	EA	
43	PE030053	MIDDLE RAIL SUPPORT - BR	4	EA	
44	PE030054	END CAP - SS	8	EA	
44	PE030055	END CAP - BR	8	EA	
45	062057-602	CNTRL, PRO FAN, 120VAC	1	EA	
NI	PD020009	10 X 1 PH. HD. PAN HD. SMS	8	EA	
NI	PD030010	#10-24 KEPS NUT ZINC PLATED	4	EA	
NI	PD020010	10 X 3/8 GREEN GROUNDING SCREW	1	EA	





Item	Part No.	Name	Qty	Uom	NOTES
NI	A2007316	ISLAND HOOD CROSS BRACE (VIH)	2	EA	NO LONGER AVAILABLE, Not available online / Call for pricing and availability
NI	019561-000	ENCLOSED JUNCTION BOX	1	EA	
NI	PE070204	HEYCO STRAIN RELIEF - 7-P2	1	EA	
NI	039680-000	CORD, PWR, SUPPLY, VNT HD	1	EA	



Appendix A:Pages Index

UNIT COMPONENTS 1



Appendix B:Parts Index

013549-000	1	PE040131	1
019561-000	1	PE050034	1
039680-000	1	PE050048	1
062057-601	1	PE070196	1
062057-602	1	PE070197	1
A2004096	1	PE070204	1
A2007316	1	PE070381	1
A2103810	1	PJ030014	1
B2003837	1		
B2003887	1		
B2004061	1		
B2004065	1		
B2004068	1		
B2004069	1		
B2004072	1		
B2004083	1		
B2004092	1		
F0003870	1		
F0003877	1		
F0003878	1		
G3103955	1		
PA010071	1		
PC040010	1		
PD020009	1, 1		
PD020010	1, 1		
PD020087	1		
PD030010	1, 1		
PD030059	1		
PD040005	1		
PE010142	1		
PE010143	1		
PE010144	1		
PE010145	1		
PE030052	1		
PE030053	1		
PE030054	1		
PE030055	1		
PE030076	1		
PE030077	1		
PE030121	1		