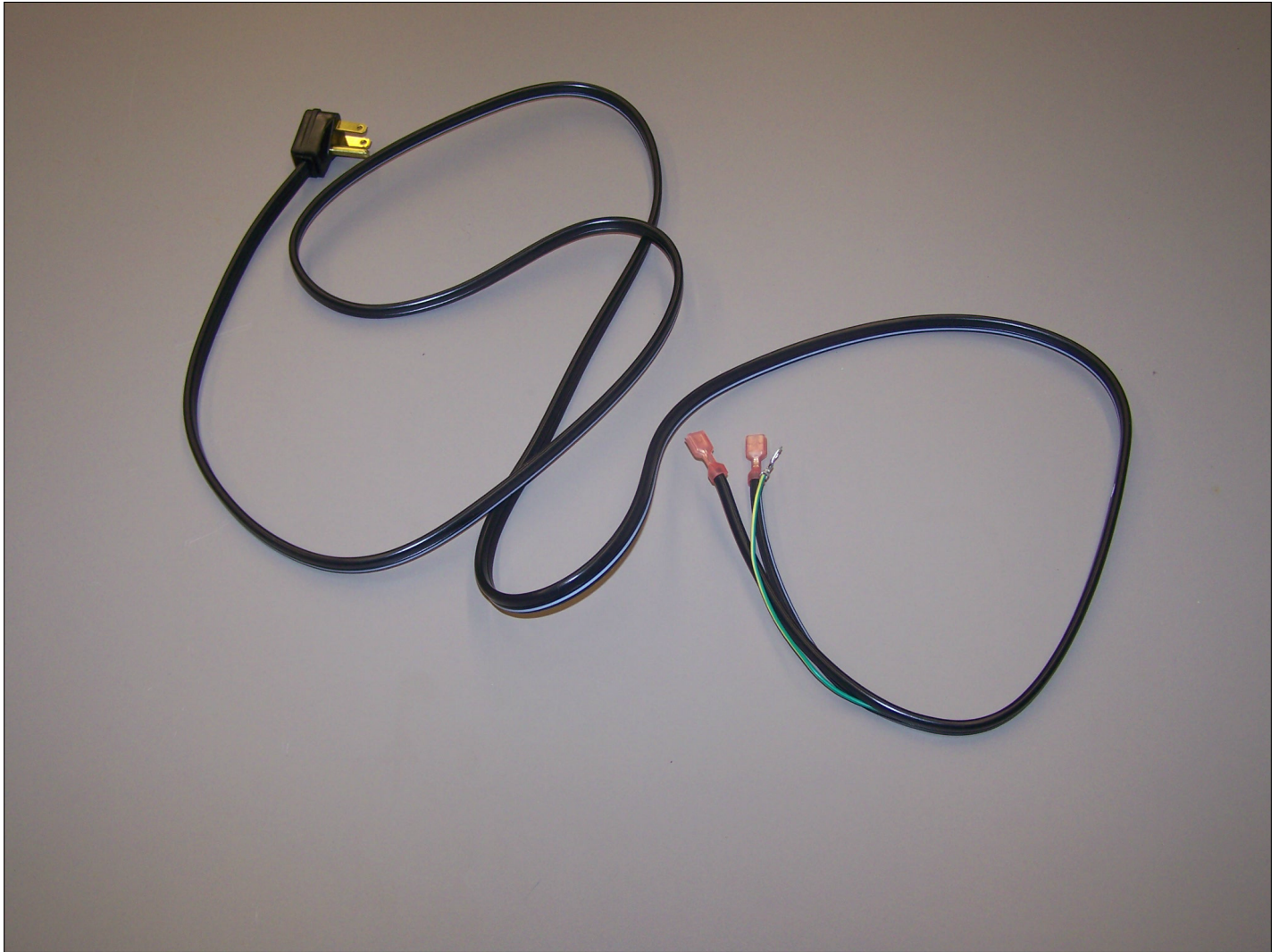


VIFB304JMAG-RSERIES

10916507 POWER CORD	1
BASKET DRAWER	2
CONTROL AREA	3
EVAPORATOR AREA	4
FREEZER COMPARTMENT	5
FREEZER DOOR FOAM AREA	6
FREEZER DOOR SKIN AREA	7
FREEZER SHELVING	8
ICE DRAWER	9
ICE MAKER AREA	10
LOWER UNIT AREA	11
MC COVER AND UPPER GRILLE AREA	12
PE070785 HIGH VOLT HARNESS	13
PE970464 LOW VOLT HARNESS	14
PE970570 MACHINE HARNESS	15
PE970609 CONTROL BOARD HARNESS	16
PE970641 FAN RESISTOR JUMPER	17
REFRIGERANT SYSTEM	18
UNIT EXTERIOR	19
UPPER UNIT AREA	20
WATER SYSTEM	21
Appendix A:Pages Index	A
Appendix B:Parts Index	B



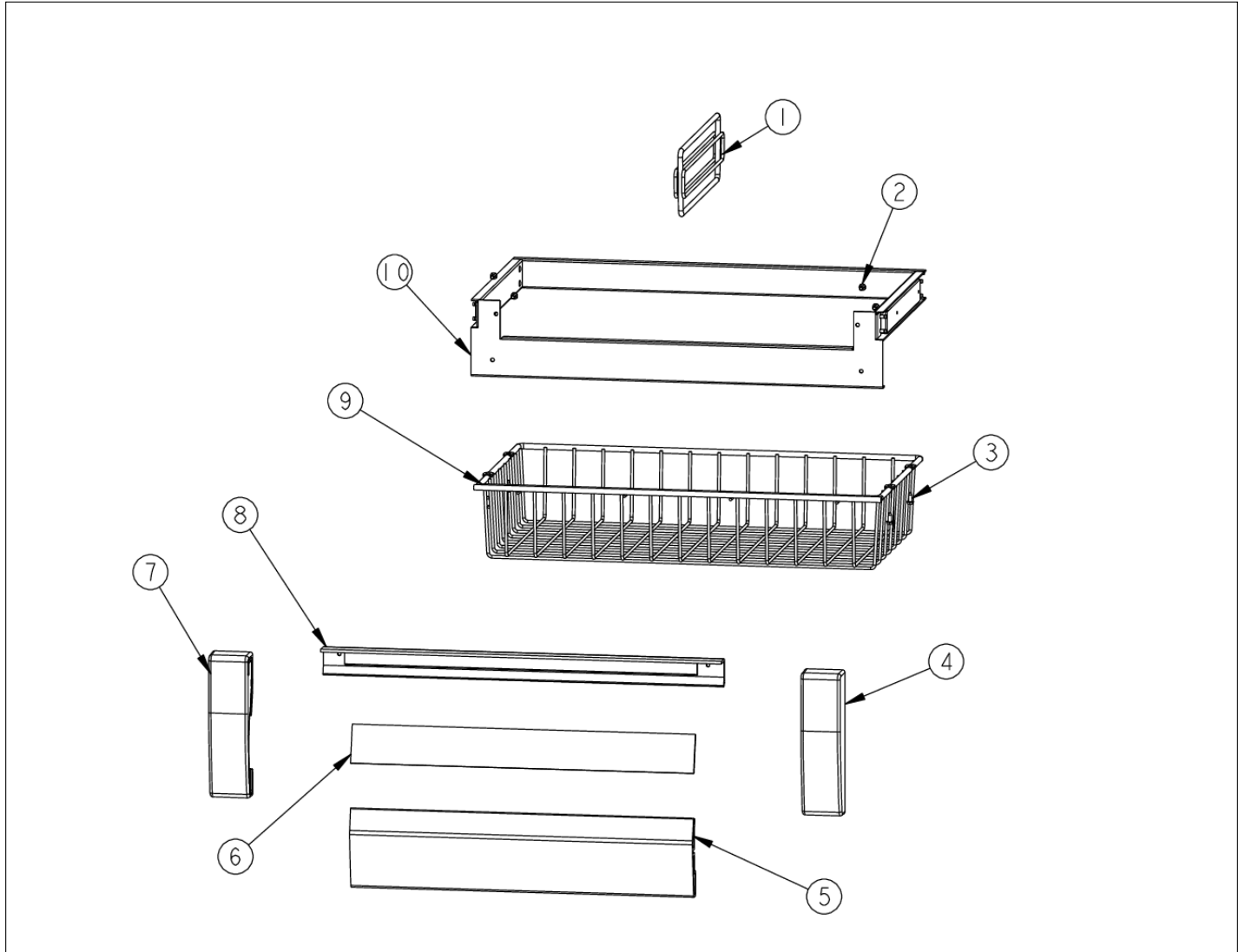
10916507 POWER CORD





Item	Part No.	Name	Qty	Uom	NOTES
1	10916507	CORD-POWER 5 SERIES	1	EA	

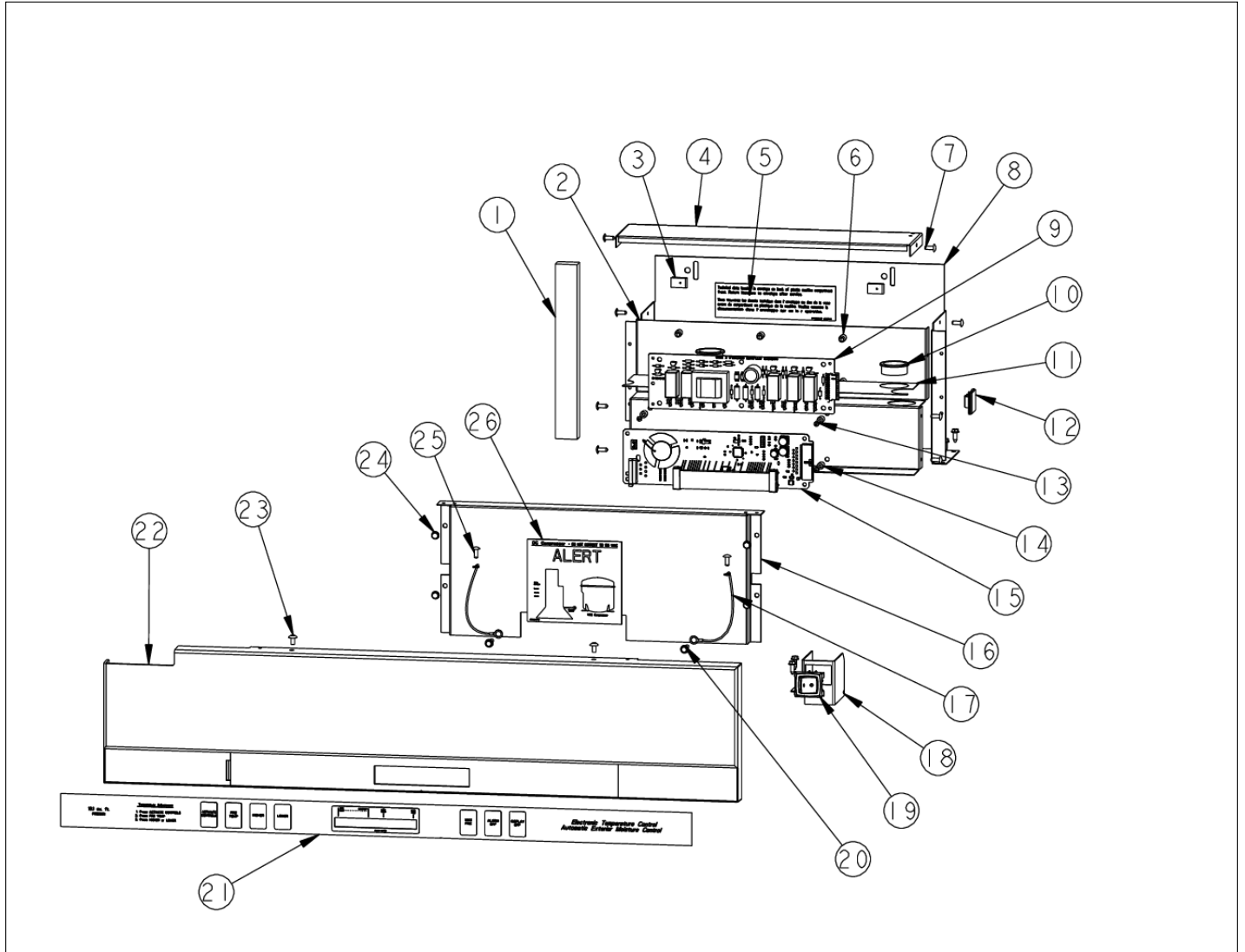
BASKET DRAWER





Item	Part No.	Name	Qty	Uom	NOTES
1	PM910439	DIVIDER BASKET WIRE AF 36	1	EA	
2	PD920161	SCR 8-16 PLASTITE PNP 3/8 S	1	EA	
3	PD020194	SCR, HEX SRTD WSHR HD, #8-18 X 1/2	1	EA	
4	PK930316	ENDTRIM ICE DRAWER R	1	EA	Not available online / Call for pricing and availability
5	PK920061	EXTRUSION DRAWER FRONT AF 30	1	EA	NO LONGER AVAILABLE, Not available online / Call for pricing and availability
6	PE940233	GLASS DRAWER ICE AF 30	1	EA	NO LONGER AVAILABLE, Not available online / Call for pricing and availability
7	PK930317	ENDTRIM ICE DRAWER L	1	EA	
8	PK920060	EXTRUSION DRAWER CAP AF 30	1	EA	NO LONGER AVAILABLE, Not available online / Call for pricing and availability
9	PM910402	BASKET WIRE AF 30	1	EA	Not available online / Call for pricing and availability
10	G90911313WH	FRAME BASKET DRAWER ASM AF 30 *WH*	1	EA	NO LONGER AVAILABLE, Not available online / Call for pricing and availability
NI	G50911315	DRAWER BASKET ASM AF 30	1	EA	
Not Shown	NOTE	(INCLUDES ITEMS 1 THROUGH 10)		EA	

CONTROL AREA





Item	Part No.	Name	Qty	Uom	NOTES
1	A3030361	GASKET RED	1	EA	
2	K20910060	BRACKET - PC	1	EA	
3	M0288120	NUT-SPEED VM0288120	1	EA	
4	K20915000	CONTROL BOX TOP	1	EA	
5	PF930487	TECH LITERATURE LABEL - 2	1	EA	
6	M0585504	SUPPORT	1	EA	
7	PC040010	POP RIVET (.063/GR -.125) GAMD42-A	1	EA	
8	K2099402	CONTROL BOX	1	EA	
9	005319-000	POWER CONTROL BOARD ASM 5 SERIES	1	EA	

Comments for Part Num. 005319-000

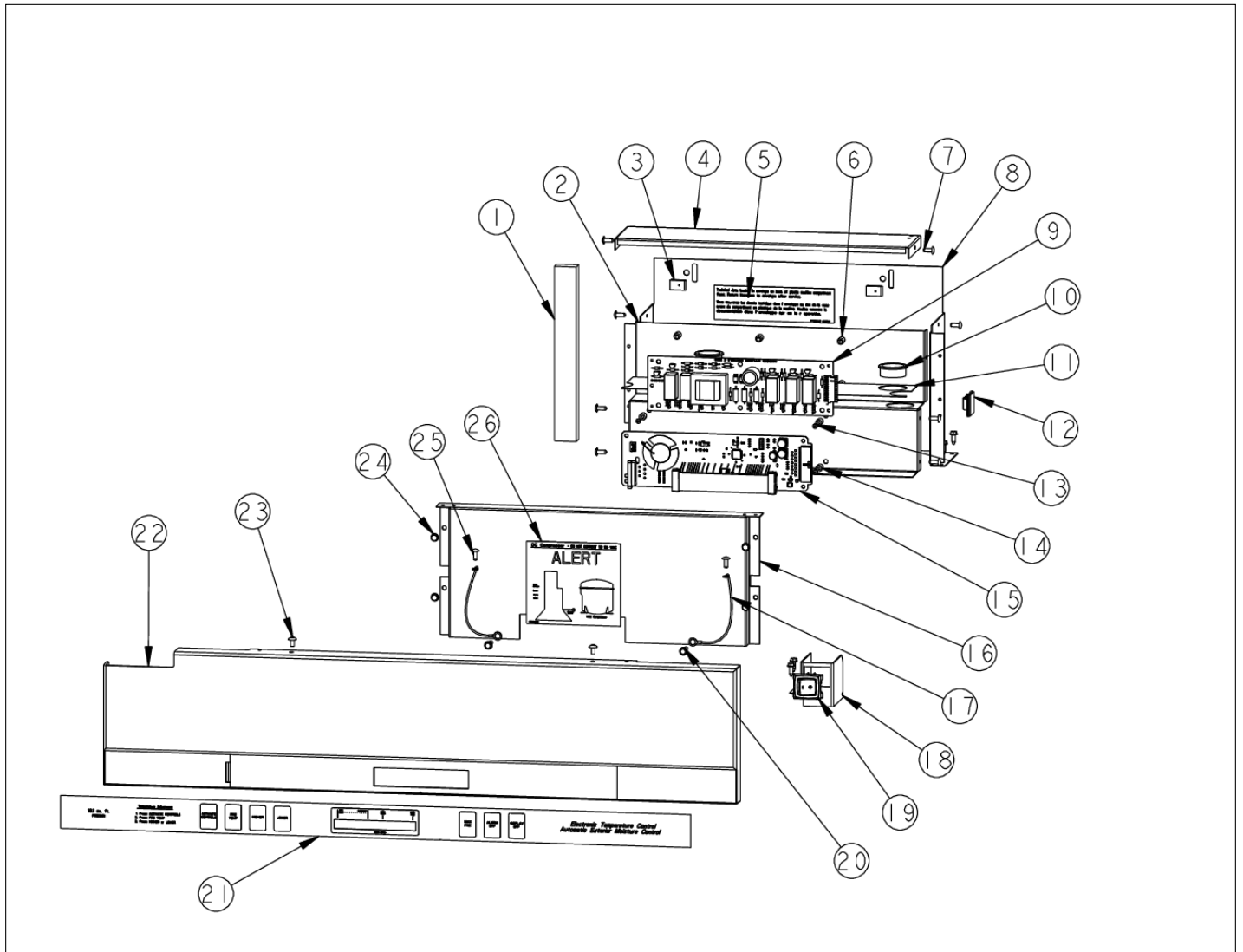
boltz on Apr 12, 2018
See TR-0056-SP Bulletin

10	A4554817	BUSHING-SNAP VA4554817	1	EA	
11	PM910325	FILM, PROTECTIVE	1	EA	
12	M0104106	CLIP-CORD VM0104106	1	EA	
13	PD020013	TYPE "AB" #6 X 3/8 PH PAN HD. SMS	1	EA	
14	M0585506	SUPPORT	1	EA	
15	PE070728	BOARD LOW VOLTAGE	1	EA	

Comments for Part Num. PE070728

bradleysapplianceservice@shaw.ca on Apr 27, 2016
COULD ALSO USE: 002670-000 LOW VOLTAGE BOARD KIT ANALOG - INCLUDES WIRE HARNESS

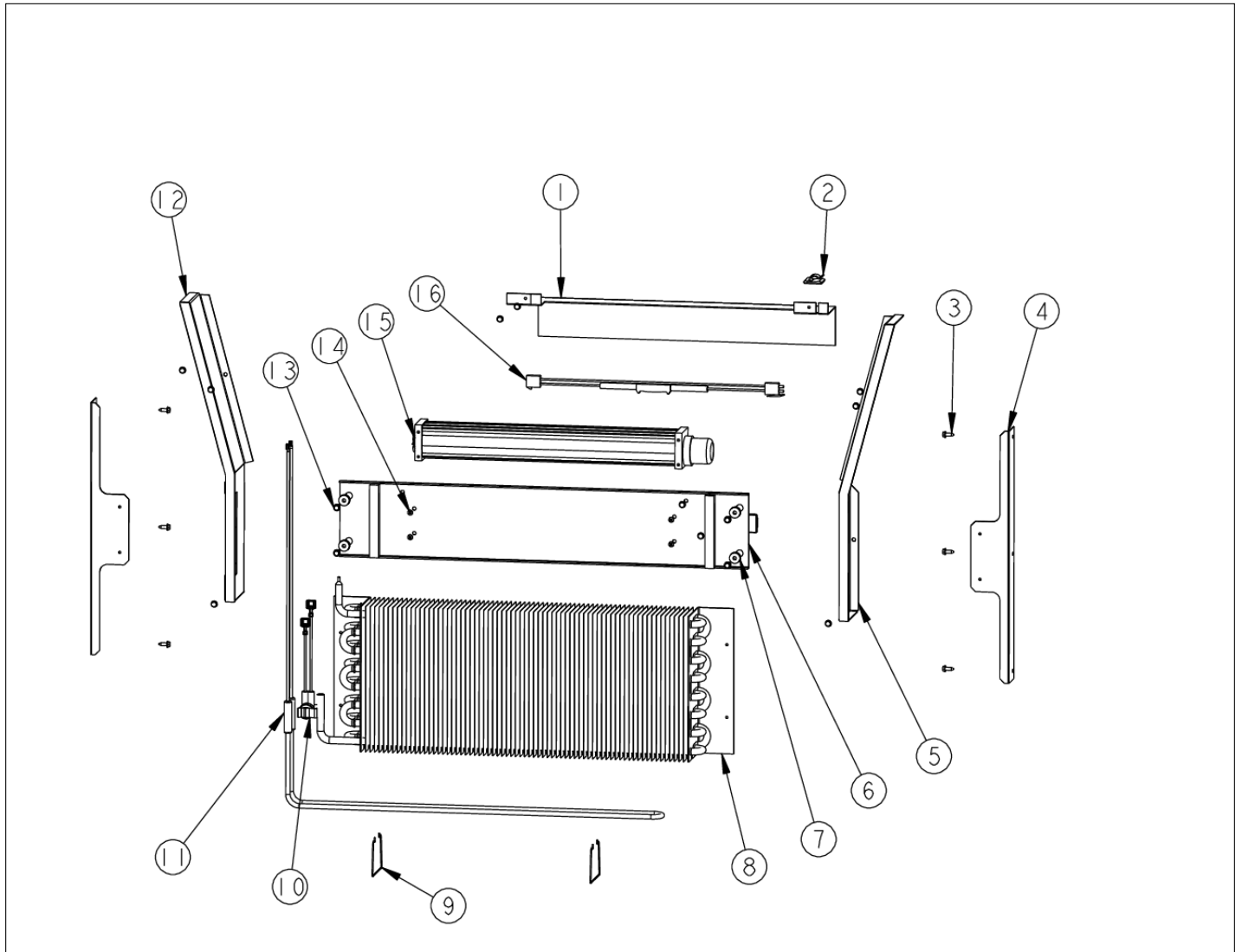
16	K20910061	CONTROL BOX FRONT	1	EA	
17	12064001	SUPP-CONT PANEL	1	EA	
18	K2098654	Bracket, Power Switch	1	EA	
19	PE950149	SWITCH POWER	1	EA	
20	M0238846	SCREW-SHLDR	1	EA	
21	PE950182	OVERLAY SWITCH AF 30	1	EA	
22	016434-000	PANEL CONTROL AF/AR 30 L	1	EA	
Not Shown	PK930332	PANEL CONTROL AF 30 R	1	EA	





Item	Part No.	Name	Qty	Uom	NOTES
23	M0224128	SCREW-SM	1	EA	
24	PD020194	SCR, HEX SRTD WSHR HD, #8-18 X 1/2	1	EA	
25	PC040010	POP RIVET (.063/GR -.125) GAMD42-A	1	EA	
26	PF930672	LABEL DC COMPRESSOR	1	EA	

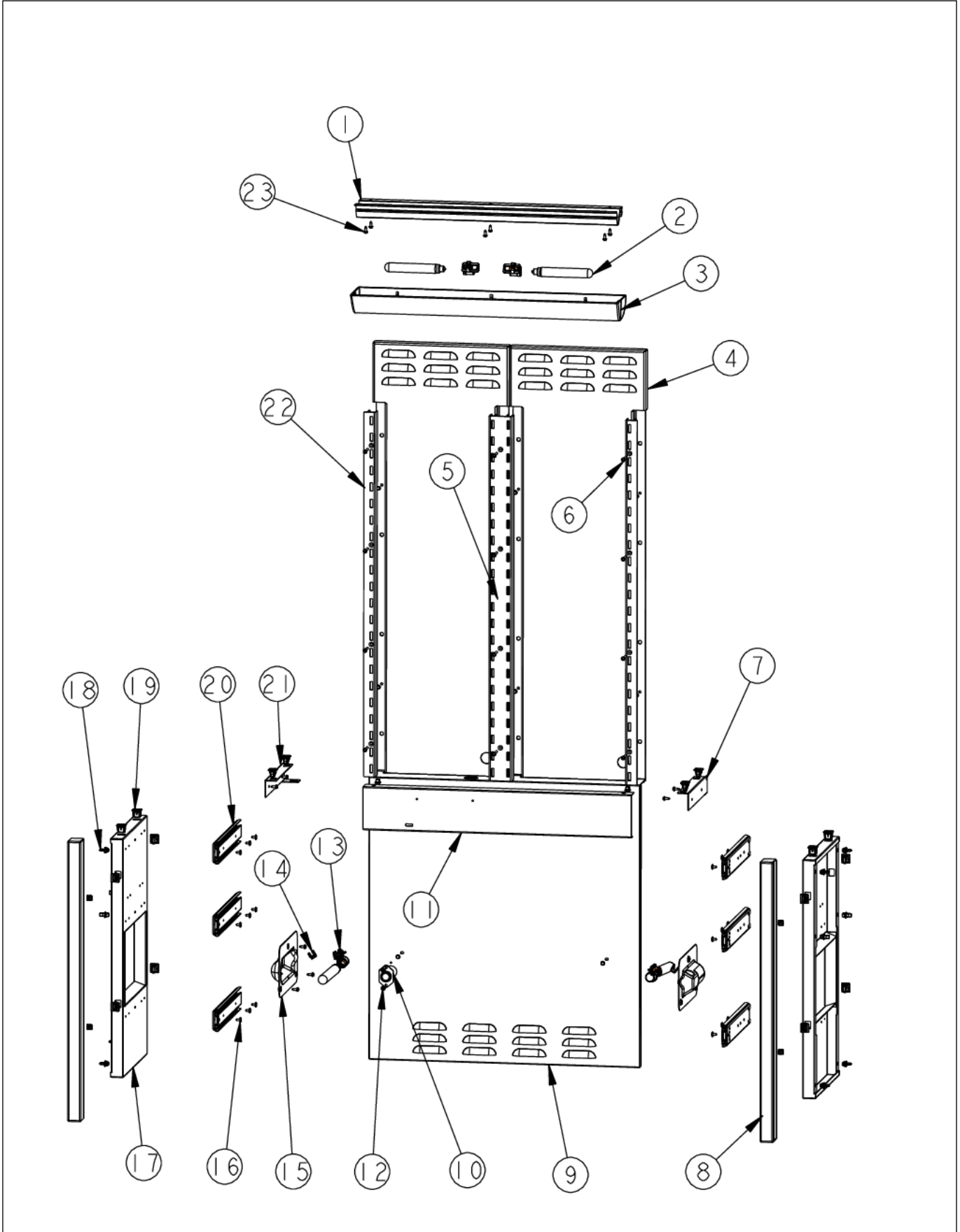
EVAPORATOR AREA





Item	Part No.	Name	Qty	Uom	NOTES
1	K20912562	COVER FAN EVAP AF 30	1	EA	
2	M0104106	CLIP-CORD VM0104106	1	EA	
3	PD020194	SCR, HEX SRTD WSHR HD, #8-18 X 1/2	1	EA	
4	K20912558	BRACKET EVAP COVER	1	EA	
5	K20912598	DIVERTER AIR AF 30 R	1	EA	
6	K20912559	BRKT FAN EVAP AF 30	1	EA	
7	12234001	GROMMET-VIBRATION	1	EA	
8	PM910456	EVAPORATOR AF 30	1	EA	
9	PM910468	CLIP EVAP HTR 36 30 AF	1	EA	
10	058966-000	THERMOSTAT, SNAP ACTION, 55 OPEN 20 CLOSE	1	EA	
11	PJ910038	DEFROST HEATER AF 30	1	EA	
12	K20912597	DIVERTER AIR AF 30 L	1	EA	
13	M0238859	SCREW-SHLDR	1	EA	
14	M02172046	SCREW, SM	1	EA	Not available online / Call for pricing and availability
15	PE950154	FAN EVAP HORIZ AF AR 30 (See TR-0063-SP Fan Bulletin)	1	EA	See TR-0063-SP Fan Bulletin
<p>Comments for Part Num. PE950154</p> <p>gboltz@VikingRange.com on Apr 18, 2019</p> <p>See TR-0063-SP Fan Bulletin</p>					
16	PE970641	JUMPER FAN RESISTOR	1	EA	

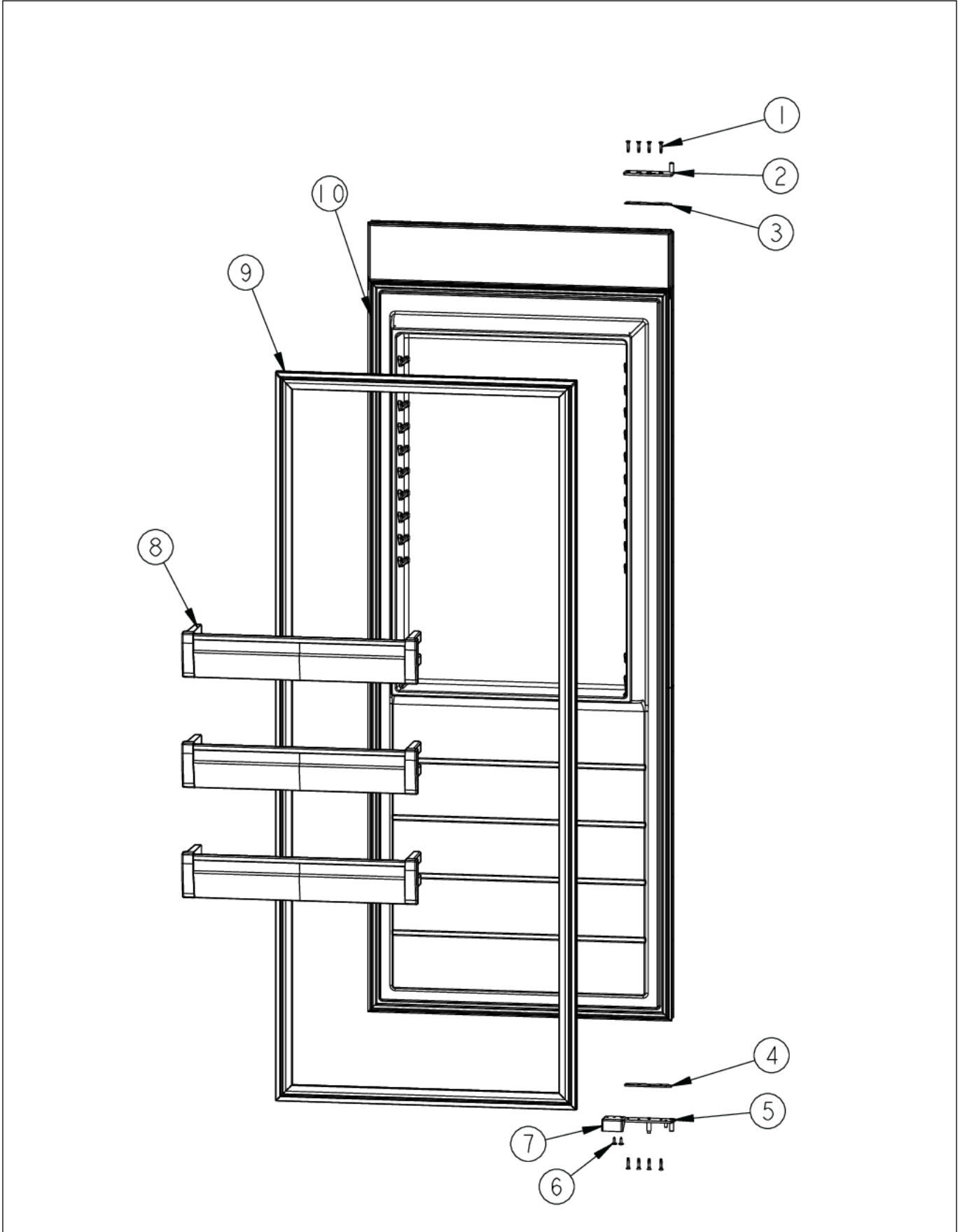
FREEZER COMPARTMENT





Item	Part No.	Name	Qty	Uom	NOTES
1	L2099492	BRACKET LIGHT SXS 48 FF	1	EA	
2	004528-000	LAMP, 40 WATT CLEAR LIGHT	1	EA	
3	020114-000	COVER LIGHT ASM AF/AR 30 SXS 48 FF	1	EA	
4	L2099055	EVAP COVER UPPER AF 30	1	EA	Not available online / Call for pricing and availability
5	PM910285	LADDER CENTER	1	EA	
6	M0238535	SCREW-SM	1	EA	
7	K20911929	BRACKET ICE SHELF R	1	EA	
8	C90910784WH	COVER SIDE ASM *WH*	1	EA	NO LONGER AVAILABLE
9	L20911932	COVER EVAP LOWER AF 30	1	EA	Not available online / Call for pricing and availability
10	C8983701	THERMISTOR	1	EA	
11	C90911142WH	PLATE IN MOUNT AF 30 *WH*	1	EA	
12	M0211014	SCREW-SM	1	EA	Not available online / Call for pricing and availability
13	PE950125	LIGHT SOCKET	1	EA	
14	B5733302	CLIP-GROUND	1	EA	
15	10270203	HOUSING-LIGHT V10270203	1	EA	
16	PD020032	SRW-8(A)X3/8"PH.WFR HD 7/16DIA*NICL	1	EA	
17	G90911311	BRKT SIDE GLIDE MOUNT -WH	1	EA	Not available online / Call for pricing and availability
18	PD950012	STRIKE PANEL ACCESS	1	EA	
19	PD950013	LATCH PANEL ACCESS	1	EA	
20	PC080031	SLIDE 12" FULL EXTENSION	1	EA	
21	K20911928	BRACKET ICE SHELF L	1	EA	
22	PM910282	LADDER SIDE	1	EA	
23	PD020194	SCR, HEX SRTD WSHR HD, #8-18 X 1/2	1	EA	

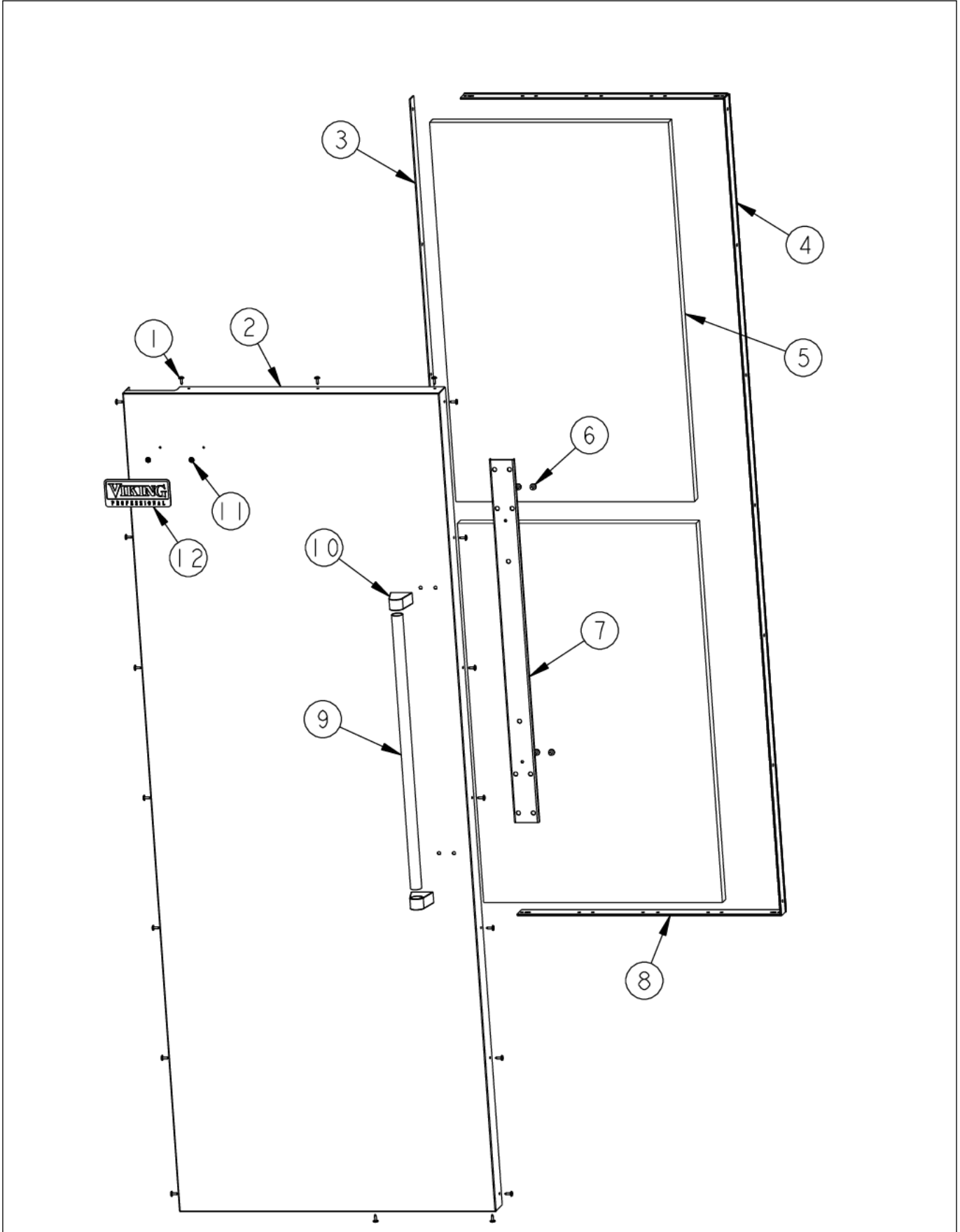
FREEZER DOOR FOAM AREA





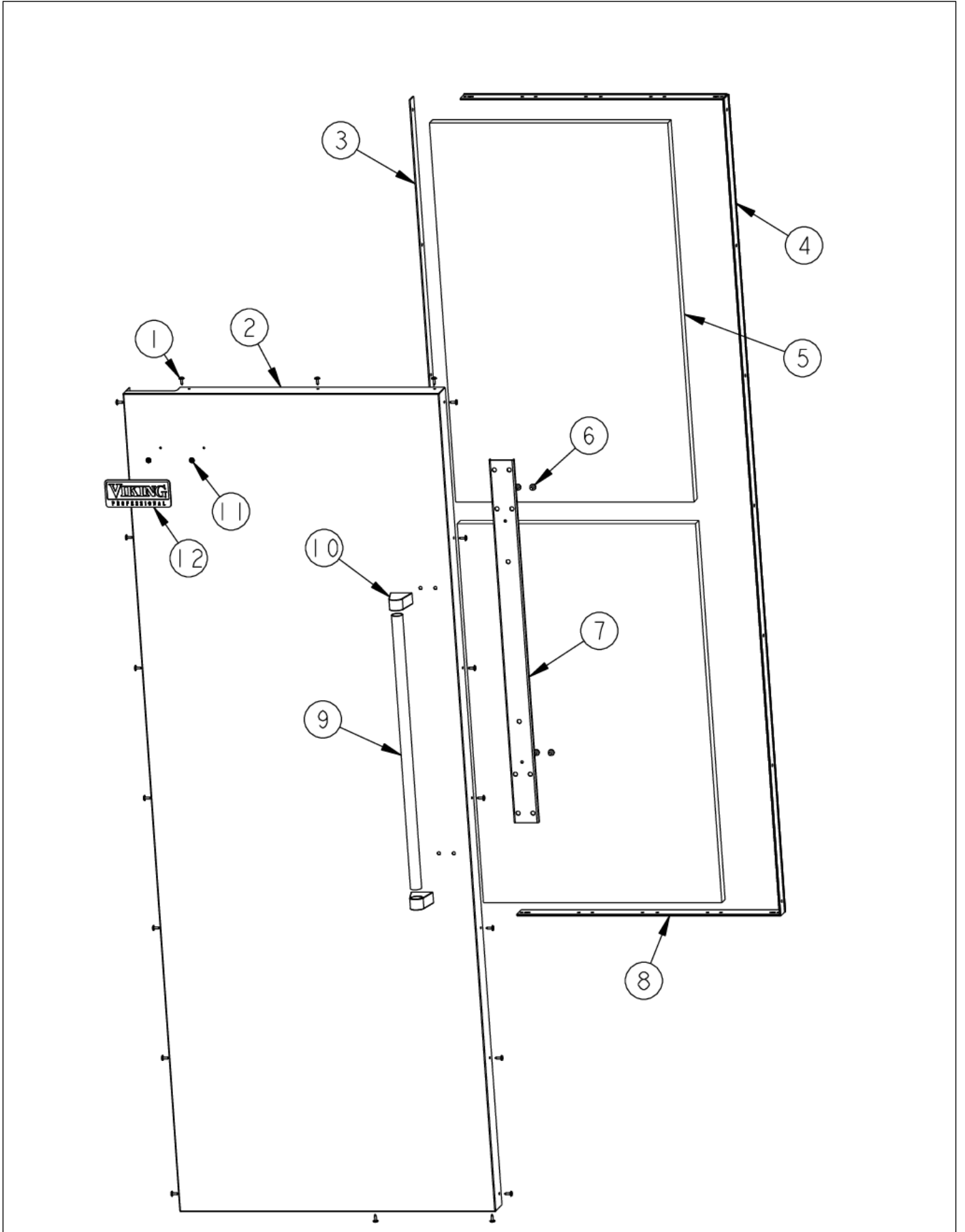
Item	Part No.	Name	Qty	Uom	NOTES
1	PD920174	10-32 TORX HEAD SCREW	1	EA	
2	PC020279	PIVOT PL ASM LH UP PRO/DES	1	EA	
Not Shown	PC020278	PIVOT PL ASM RH UP PRO/DES	1	EA	
3	PD040162	SPACER-DOOR HINGE	1	EA	
4	001617-000	SPACER,NYL,PIVOT PLATE	1	EA	
5	016182-000	PIVOT PL ASM LH LW PRO/DES	1	EA	
PC020276	016181-000	PIVOT PL ASM RH LW PRO/DES	1	EA	
6	M0210458	SCREW-SM	1	EA	
7	PD050019	STRIKER DOOR SWITCH	1	EA	
8	036880-000	DOORBIN ASM AF 30	1	EA	
9	001955-000	SERV GASKET FACE CHARGE	1	EA	
Not Shown	NOTE	(BEFORE 06-10-08)		EA	
9	005448-000	GASKET,ASM,30,AFAR VID# 602711327-17	1	EA	
Not Shown	NOTE	(ON OR AFTER 06-10-08)		EA	
10	G32915042	DOOR ASM AF 30	1	EA	
Not Shown	NOTE	(Includes Gasket)		EA	

FREEZER DOOR SKIN AREA



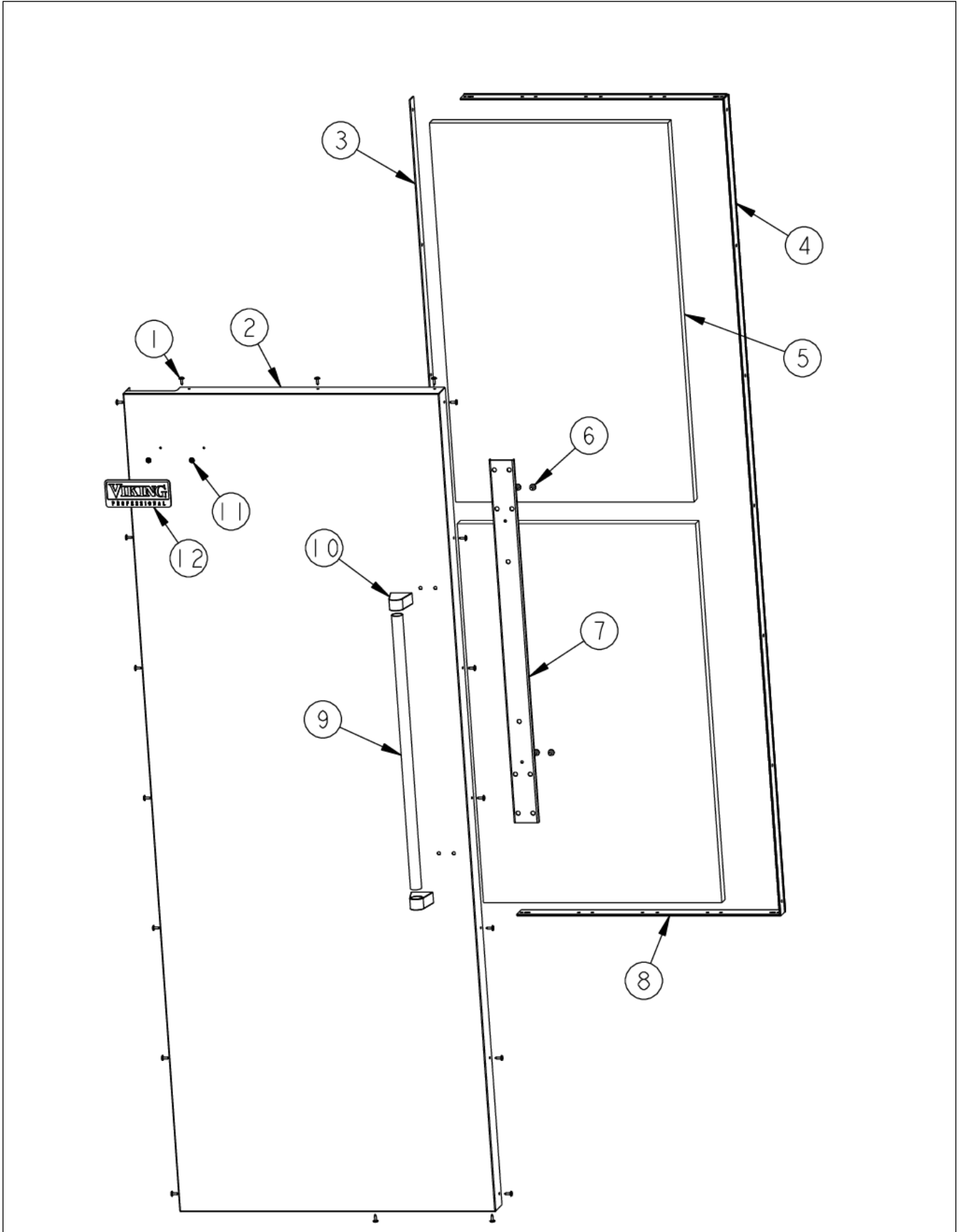


Item	Part No.	Name	Qty	Uom	NOTES
1	M0210458	SCREW-SM	1	EA	
2	003617-000	SKIN,DOOR, AF AR 30 PROI R SS	1	EA	
Not Shown	003618-006WH	DOOR SKIN - RIGHT HINGE (WH)	1	EA	Not available online / Call for pricing and availability
Not Shown	003618-007AL	DOOR SKIN - RIGHT HINGE (AL)	1	EA	Not available online / Call for pricing and availability
Not Shown	NOTE	(Before 01/01/08)		EA	
Not Shown	003618-003BT	DOOR SKIN - RIGHT HINGE (BT)	1	EA	Not available online / Call for pricing and availability
Not Shown	NOTE	(Before 01/01/08)		EA	
Not Shown	003618-014EP	DOOR SKIN - RIGHT HINGE (EP)	1	EA	Not available online / Call for pricing and availability
Not Shown	NOTE	(Before 01/01/08)		EA	
Not Shown	003618-011FG	DOOR SKIN - RIGHT HINGE (FG)	1	EA	Not available online / Call for pricing and availability
Not Shown	NOTE	(Before 01/01/08)		EA	
Not Shown	003618-002BK	DOOR SKIN - RIGHT HINGE (BK)	1	EA	Not available online / Call for pricing and availability
Not Shown	003618-008BU	DOOR SKIN - RIGHT HINGE (BU)	1	EA	Not available online / Call for pricing and availability
Not Shown	003618-013CB	DOOR SKIN - RIGHT HINGE (CB)	1	EA	Not available online / Call for pricing and availability
Not Shown	003618-005GG	DOOR SKIN - RIGHT HINGE (GG)	1	EA	Not available online / Call for pricing and availability



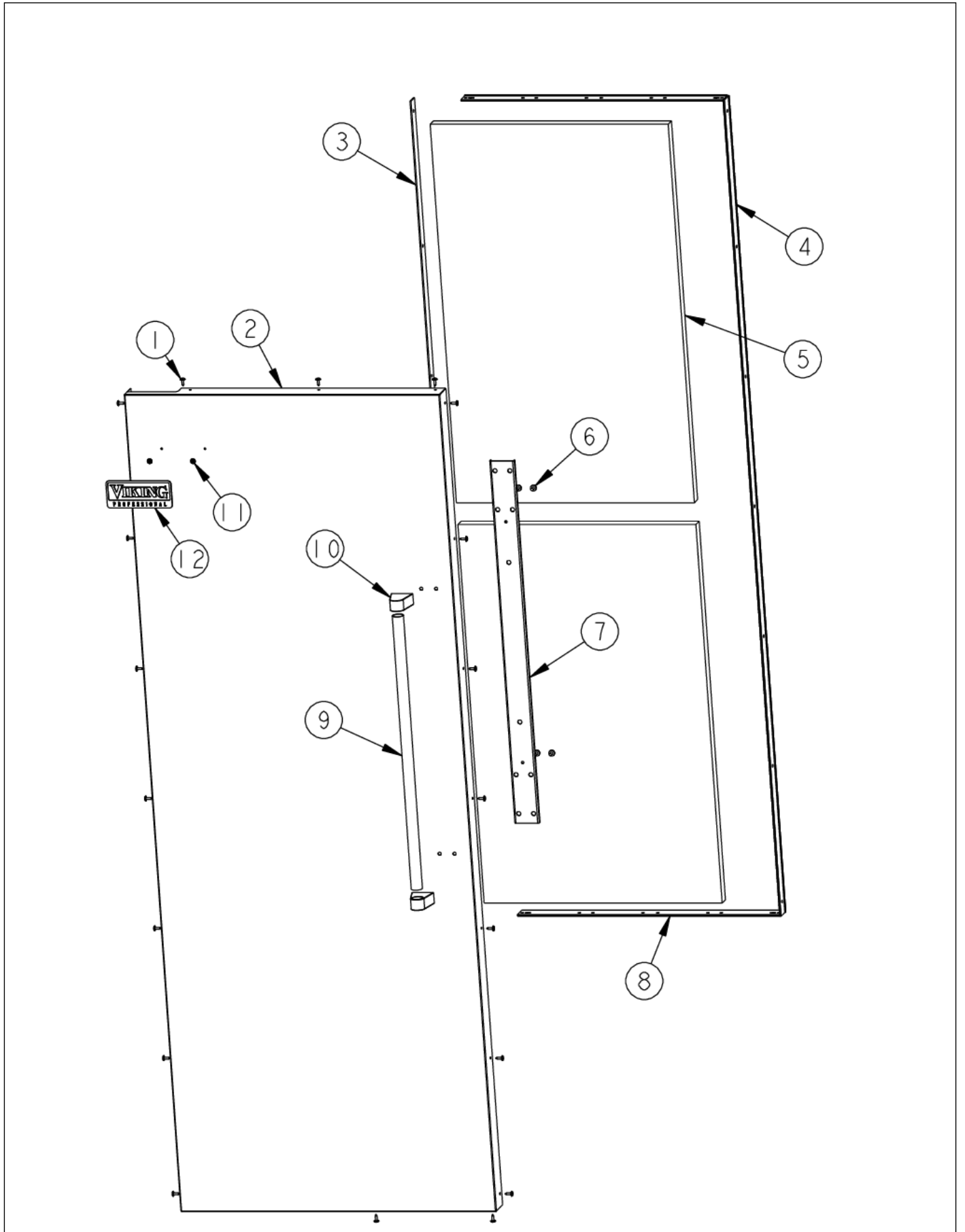


Item	Part No.	Name	Qty	Uom	NOTES
Not Shown	003618-004SG	DOOR SKIN - RIGHT HINGE (SG)	1	EA	Not available online / Call for pricing and availability
Not Shown	003618-012VB	DOOR SKIN - RIGHT HINGE (VB)	1	EA	Not available online / Call for pricing and availability
Not Shown	003618-024AR	DOOR SKIN - RIGHT HINGE (AR)	1	EA	Not available online / Call for pricing and availability
Not Shown	NOTE	(After 01/01/08)		EA	
Not Shown	003618-016CH	DOOR SKIN - RIGHT HINGE (CH)	1	EA	Not available online / Call for pricing and availability
Not Shown	NOTE	(After 01/01/08)		EA	
Not Shown	003618-018CW	DOOR SKIN - RIGHT HINGE (CW) - NLA	1	EA	Not available online / Call for pricing and availability
Not Shown	NOTE	(After 01/01/08)		EA	
Not Shown	003618-020GM	DOOR SKIN - RIGHT HINGE (GM)	1	EA	Not available online / Call for pricing and availability
Not Shown	NOTE	(After 01/01/08)		EA	
Not Shown	003618-023IB	DOOR SKIN - RIGHT HINGE (IB)	1	EA	Not available online / Call for pricing and availability
Not Shown	NOTE	(After 01/01/08)		EA	
Not Shown	003618-027MS	DOOR SKIN - RIGHT HINGE (MS)	1	EA	Not available online / Call for pricing and availability
Not Shown	NOTE	(After 01/01/08)		EA	
Not Shown	003618-019OG	DOOR SKIN - RIGHT HINGE (OG)	1	EA	Not available online / Call for pricing and availability
Not Shown	NOTE	(After 01/01/08)		EA	



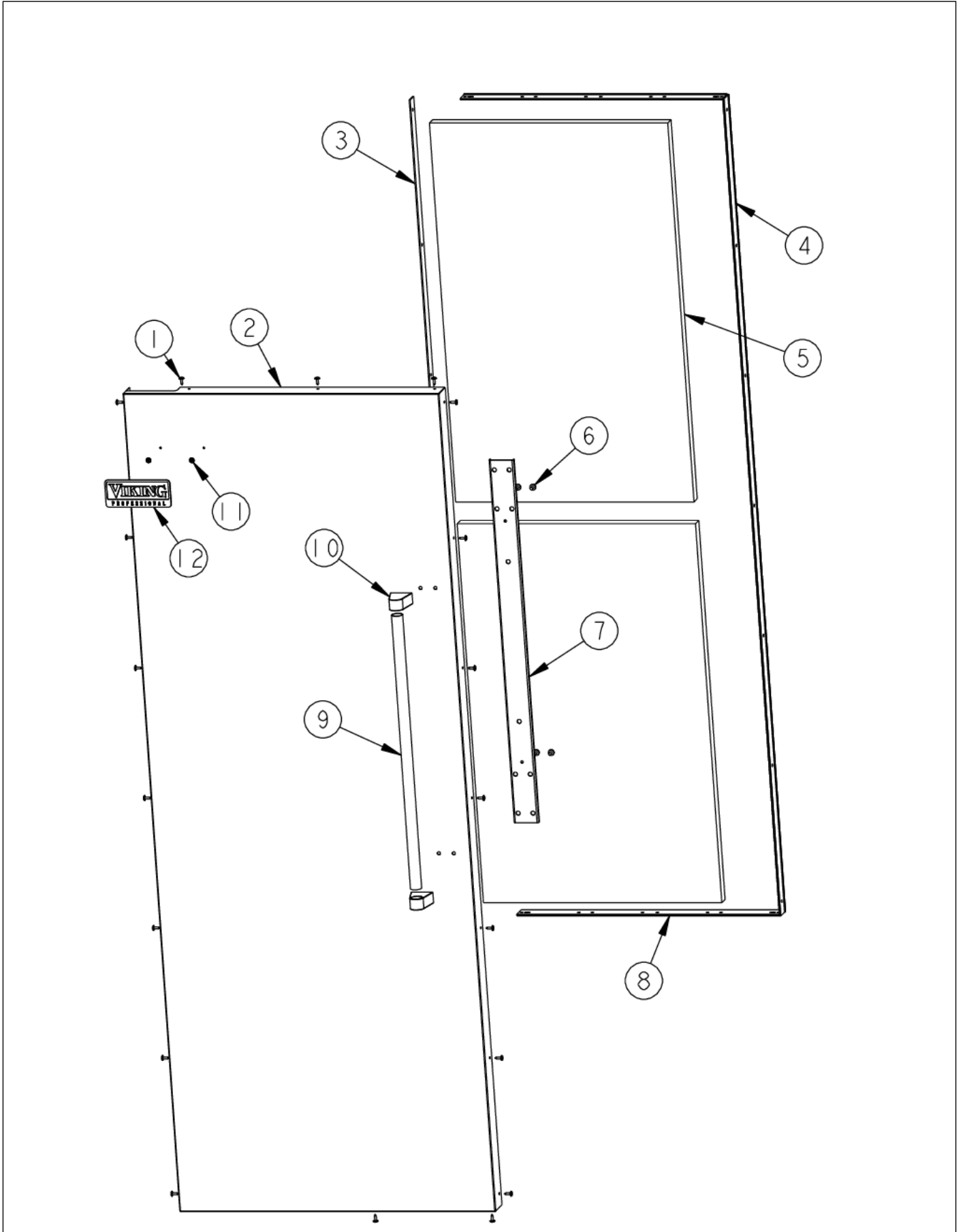


Item	Part No.	Name	Qty	Uom	NOTES
Not Shown	003618-015PL	DOOR SKIN - RIGHT HINGE (PL)	1	EA	Not available online / Call for pricing and availability
Not Shown	NOTE	(After 01/01/08)		EA	
Not Shown	003618-026PM	DOOR SKIN - RIGHT HINGE (PM)	1	EA	Not available online / Call for pricing and availability
Not Shown	NOTE	(After 01/01/08)		EA	
Not Shown	003618-025RR	DOOR SKIN - RIGHT HINGE (RR)	1	EA	Not available online / Call for pricing and availability
Not Shown	NOTE	(After 01/01/08)		EA	
Not Shown	003618-021SA	DOOR SKIN - RIGHT HINGE (SA)	1	EA	Not available online / Call for pricing and availability
Not Shown	NOTE	(After 01/01/08)		EA	
Not Shown	003618-022SE	DOOR SKIN - RIGHT HINGE (SE)	1	EA	Not available online / Call for pricing and availability
Not Shown	NOTE	(After 01/01/08)		EA	
Not Shown	003618-017TP	DOOR SKIN - RIGHT HINGE (TP)	1	EA	Not available online / Call for pricing and availability
Not Shown	NOTE	(After 01/01/08)		EA	
Not Shown	003622-000	SKIN,DOOR,AF AR 30 PROI L SS	1	EA	
Not Shown	003628-006WH	DOOR SKIN - LEFT HINGE (WH)	1	EA	Not available online / Call for pricing and availability
Not Shown	003628-007AL	DOOR SKIN - LEFT HINGE (AL)	1	EA	Not available online / Call for pricing and availability
Not Shown	NOTE	(Before 01/01/08)		EA	



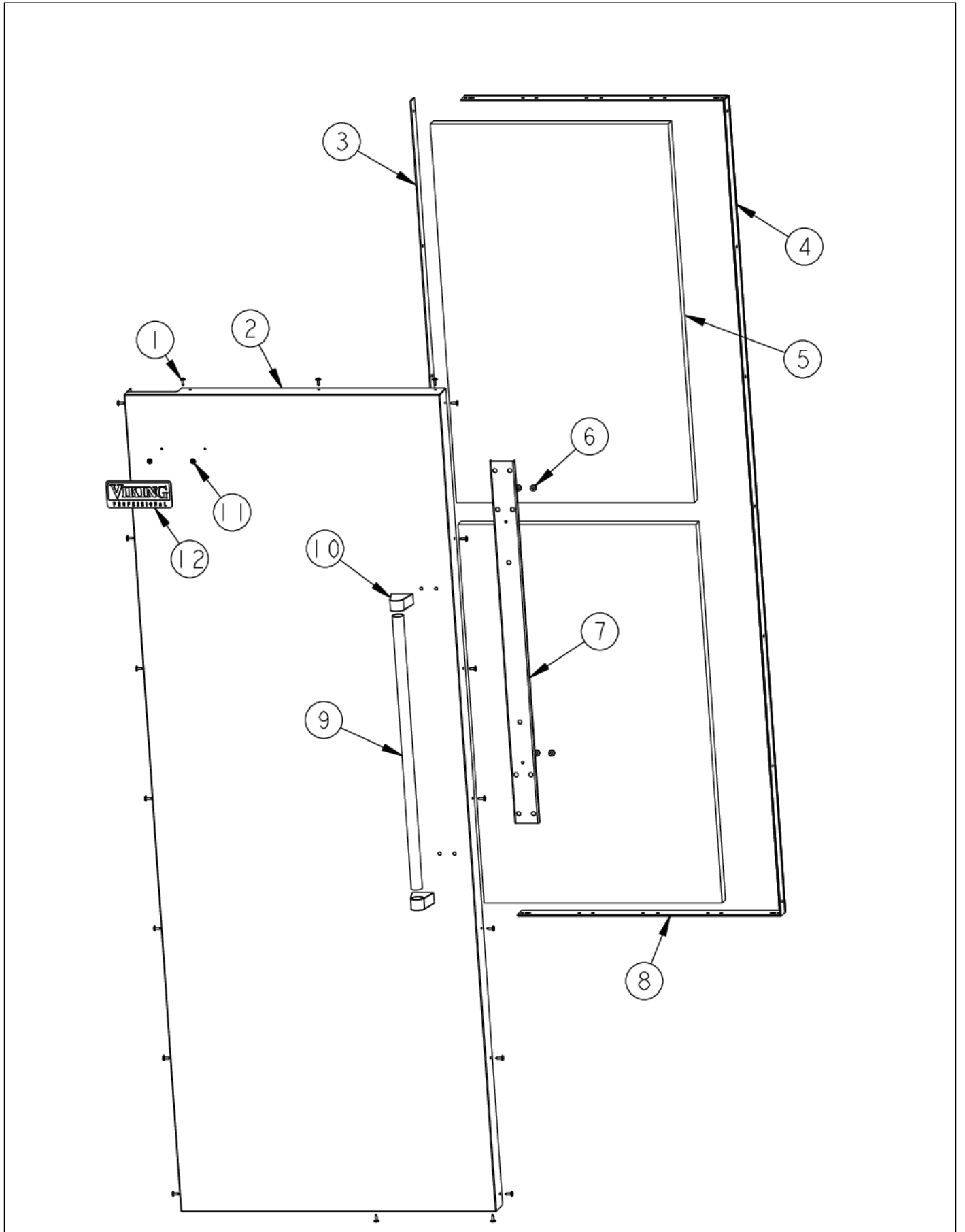


Item	Part No.	Name	Qty	Uom	NOTES
Not Shown	003628-003BT	DOOR SKIN - LEFT HINGE (BT)	1	EA	Not available online / Call for pricing and availability
Not Shown	NOTE	(Before 01/01/08)		EA	
Not Shown	003628-014EP	DOOR SKIN - LEFT HINGE (EP)	1	EA	Not available online / Call for pricing and availability
Not Shown	NOTE	(Before 01/01/08)		EA	
Not Shown	003628-011FG	DOOR SKIN - LEFT HINGE (FG)	1	EA	Not available online / Call for pricing and availability
Not Shown	NOTE	(Before 01/01/08)		EA	
Not Shown	003628-002BK	DOOR SKIN - LEFT HINGE (BK)	1	EA	Not available online / Call for pricing and availability
Not Shown	003628-008BU	DOOR SKIN - LEFT HINGE (BU)	1	EA	Not available online / Call for pricing and availability
Not Shown	003628-013CB	DOOR SKIN - LEFT HINGE (CB)	1	EA	Not available online / Call for pricing and availability
Not Shown	003628-005GG	DOOR SKIN - LEFT HINGE (GG)	1	EA	Not available online / Call for pricing and availability
Not Shown	003628-004SG	DOOR SKIN - LEFT HINGE (SG)	1	EA	Not available online / Call for pricing and availability
Not Shown	003628-012VB	DOOR SKIN - LEFT HINGE (VB)	1	EA	Not available online / Call for pricing and availability
Not Shown	003628-024AR	DOOR SKIN - LEFT HINGE (AR)	1	EA	Not available online / Call for pricing and availability
Not Shown	NOTE	(After 01/01/08)		EA	



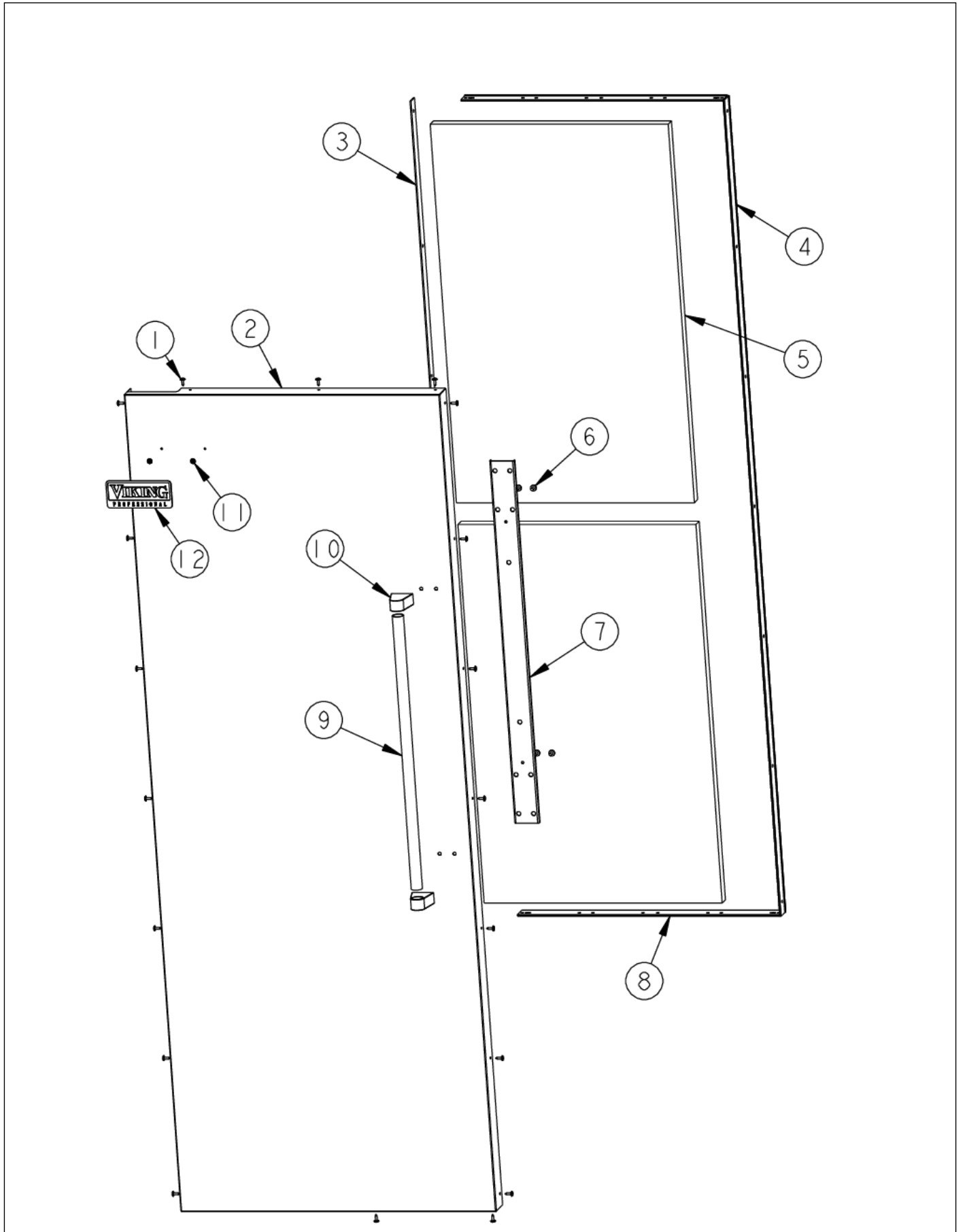


Item	Part No.	Name	Qty	Uom	NOTES
Not Shown	003628-016CH	DOOR SKIN - LEFT HINGE (CH)	1	EA	Not available online / Call for pricing and availability
Not Shown	NOTE	(After 01/01/08)		EA	
Not Shown	003628-018CW	DOOR SKIN - LEFT HINGE (CW) - NLA	1	EA	Not available online / Call for pricing and availability
Not Shown	NOTE	(After 01/01/08)		EA	
Not Shown	003628-020GM	DOOR SKIN - LEFT HINGE (GM)	1	EA	Not available online / Call for pricing and availability
Not Shown	NOTE	(After 01/01/08)		EA	
Not Shown	003628-023IB	DOOR SKIN - LEFT HINGE (IB)	1	EA	Not available online / Call for pricing and availability
Not Shown	NOTE	(After 01/01/08)		EA	
Not Shown	003628-027MS	DOOR SKIN - LEFT HINGE (MS)	1	EA	Not available online / Call for pricing and availability
Not Shown	NOTE	(After 01/01/08)		EA	
Not Shown	003628-019OG	DOOR SKIN - LEFT HINGE (OG)	1	EA	Not available online / Call for pricing and availability
Not Shown	NOTE	(After 01/01/08)		EA	
Not Shown	003628-015PL	DOOR SKIN - LEFT HINGE (PL)	1	EA	Not available online / Call for pricing and availability
Not Shown	NOTE	(After 01/01/08)		EA	
Not Shown	003628-026PM	DOOR SKIN - LEFT HINGE (PM)	1	EA	Not available online / Call for pricing and availability
Not Shown	NOTE	(After 01/01/08)		EA	





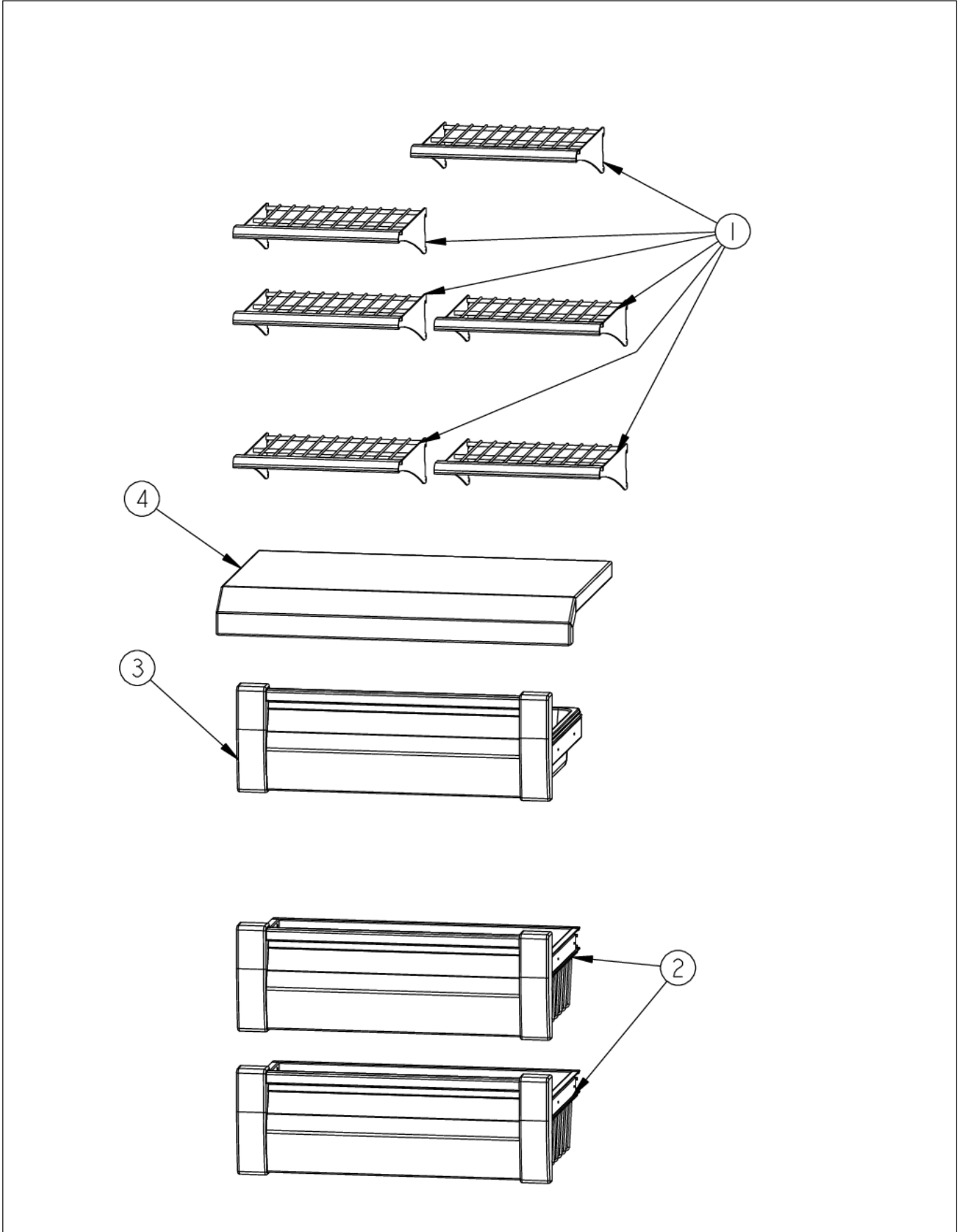
Item	Part No.	Name	Qty	Uom	NOTES
Not Shown	003628-025RR	DOOR SKIN - LEFT HINGE (RR)	1	EA	Not available online / Call for pricing and availability
Not Shown	NOTE	(After 01/01/08)		EA	
Not Shown	003628-021SA	DOOR SKIN - LEFT HINGE (SA)	1	EA	Not available online / Call for pricing and availability
Not Shown	NOTE	(After 01/01/08)		EA	
Not Shown	003628-022SE	DOOR SKIN - LEFT HINGE (SE)	1	EA	Not available online / Call for pricing and availability
Not Shown	NOTE	(After 01/01/08)		EA	
Not Shown	003628-017TP	DOOR SKIN - LEFT HINGE (TP)	1	EA	Not available online / Call for pricing and availability
Not Shown	NOTE	(After 01/01/08)		EA	
3	014581-000	SPACER,TRIM,SXS,AF,AR	1	EA	
Not Shown	NOTE	(LH MODELS)		EA	
Not Shown	PE940176	Door Trim - Side	1	EA	
Not Shown	NOTE	(RH MODELS)		EA	
4	PE940176	Door Trim - Side	1	EA	
Not Shown	NOTE	(LH MODELS)		EA	
PD94008 7	014581-000	SPACER,TRIM,SXS,AF,AR	1	EA	
Not Shown	NOTE	(RH MODELS)		EA	
5	PM910068	FOAM, DOOR SKIN (SXS)	1	EA	
6	M0204303	SCREW-MACH	1	EA	
7	K2097526	Bracket, Handle Support (Frz.)	1	EA	
8	056843-000	TRIM, TOP/BTM, 30	1	EA	
9	PE930101	VCSB482 HANDLE -(12466403)	1	EA	





Item	Part No.	Name	Qty	Uom	NOTES
Not Shown	PE030012PVD	DOOR HANDLE - RH - (30"/48") PVD	1	EA	
10	000268-000	HANDLE ENDCAP	1	EA	
Not Shown	PE030001PVD	END CAP DOOR HANDLE *BR	1	EA	
11	PD030006	CAPPED WASHER PAL NUT	1	EA	
12	PE010030	LOGO	1	EA	
Not Shown	PE010068	LOGO 6" (VGRC) BK/BR	1	EA	
Not Shown	PE010031	LOGO 6" (VGRC) *BK/WH*	1	EA	NO LONGER AVAILABLE
Not Shown	PE010076	LOGO 6" (VGRC) *BR/WH*	1	EA	NO LONGER AVAILABLE

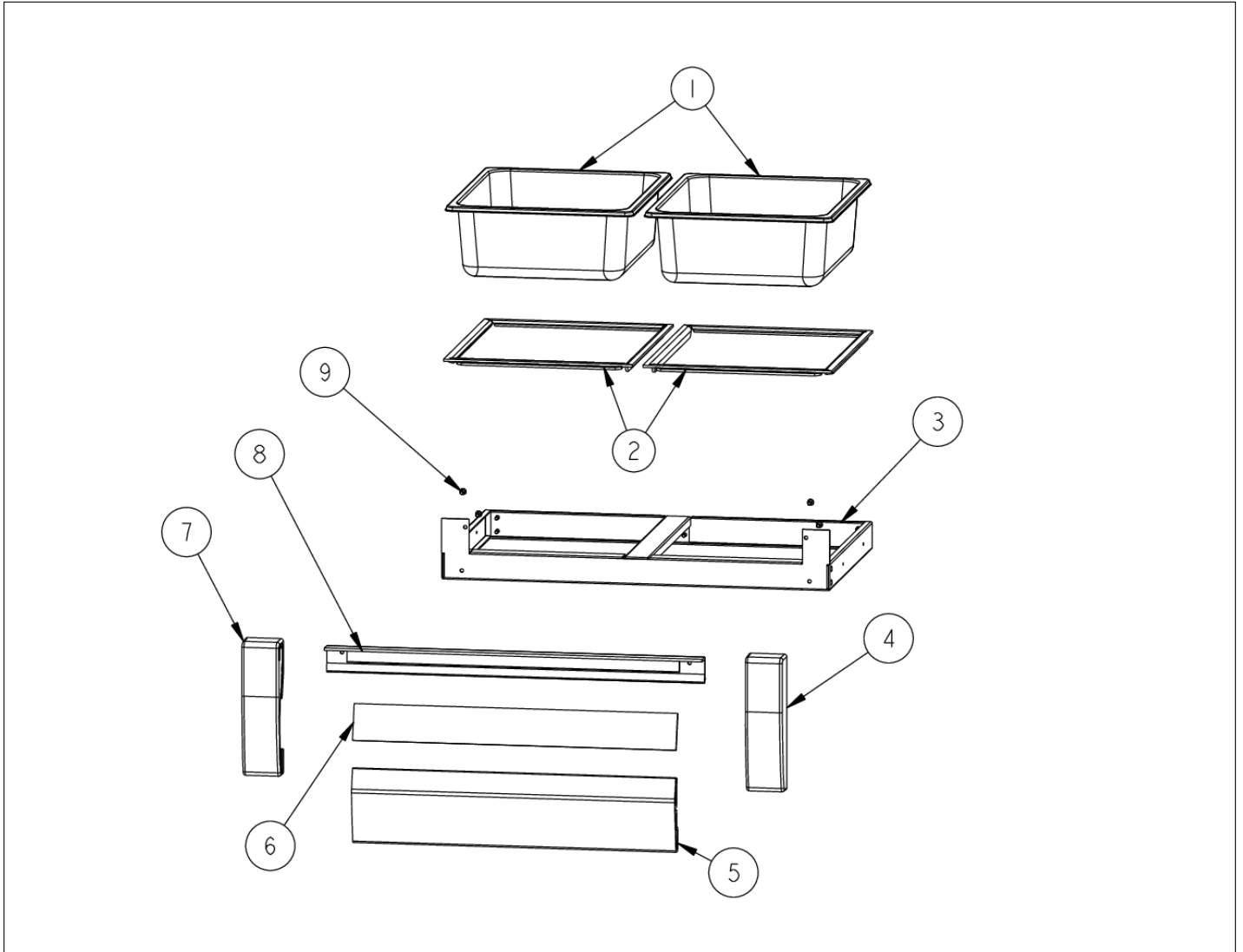
FREEZER SHELVING





Item	Part No.	Name	Qty	Uom	NOTES
1	PM910405	SHELF WIRE AF 30	1	EA	
2	G50911315	DRAWER BASKET ASM AF 30	1	EA	
Not Shown	NOTE	(FOR BREAKDOWN SEE PAGE 002)		EA	
3	G50911316	DRAWER ICE ASM AF 30	1	EA	
Not Shown	NOTE	(For Breakdown See Page 003)		EA	
4	G50911931	SHELF ICE ASM UPPER AF 30	1	EA	
Not Shown	NOTE	(FOR BREAKDOWN SEE PAGE 004)		EA	

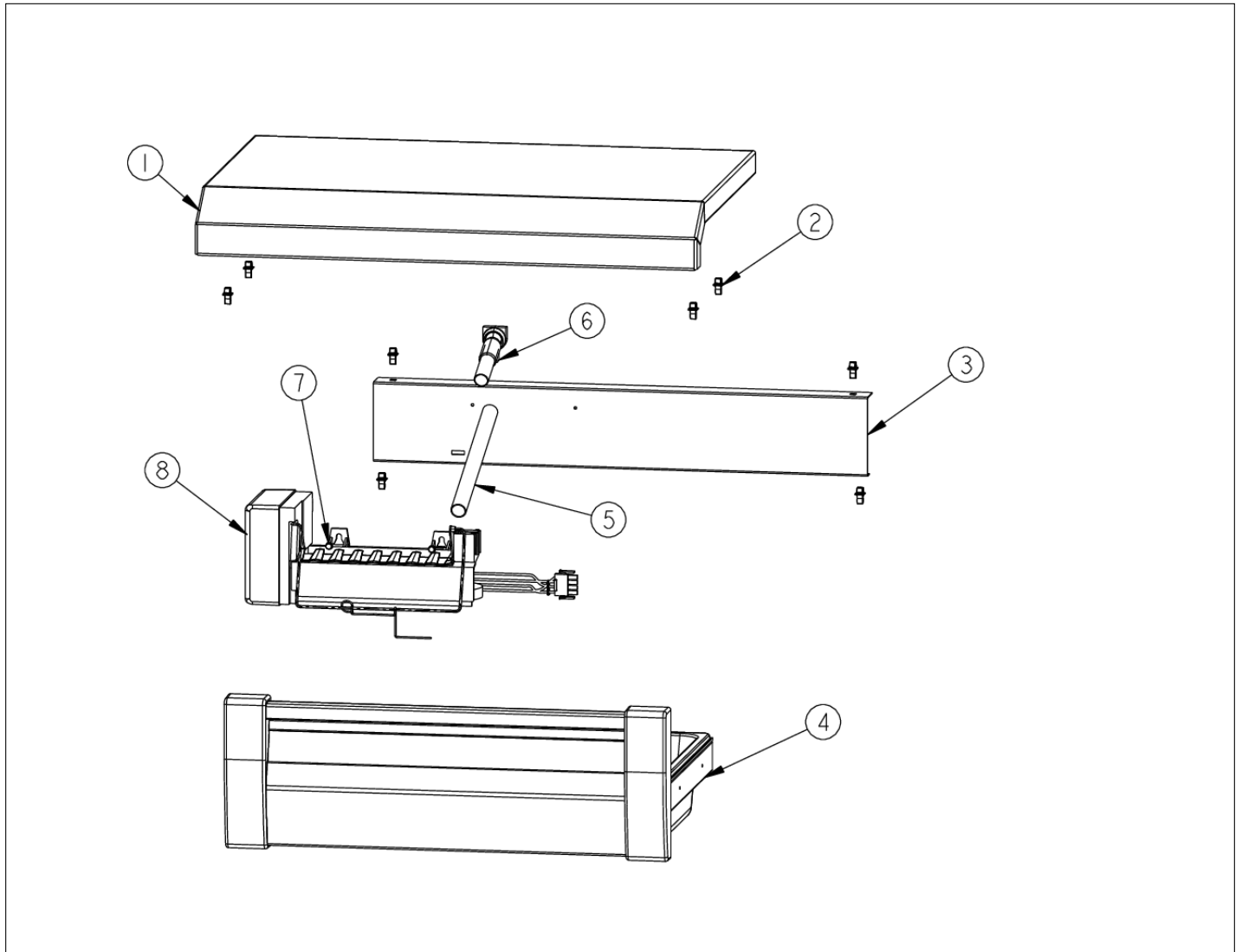
ICE DRAWER





Item	Part No.	Name	Qty	Uom	NOTES
1	005795-000	PAN,ICE,AF AR 30 36	1	EA	
2	PB970211	GASKET FRAME AF 30 & 36	1	EA	NO LONGER AVAILABLE, Not available online / Call for pricing and availability
3	G90911314WH	FRAME ICE DRAWER ASM AF 30 *WH*	1	EA	NO LONGER AVAILABLE
4	PK930316	ENDTRIM ICE DRAWER R	1	EA	Not available online / Call for pricing and availability
5	PK920061	EXTRUSION DRAWER FRONT AF 30	1	EA	NO LONGER AVAILABLE, Not available online / Call for pricing and availability
6	PE940233	GLASS DRAWER ICE AF 30	1	EA	NO LONGER AVAILABLE, Not available online / Call for pricing and availability
7	PK930317	ENDTRIM ICE DRAWER L	1	EA	
8	PK920060	EXTRUSION DRAWER CAP AF 30	1	EA	NO LONGER AVAILABLE, Not available online / Call for pricing and availability
9	PD920161	SCR 8-16 PLASTITE PNP 3/8 S	1	EA	
NI	G50911316	DRAWER ICE ASM AF 30	1	EA	
Not Shown	NOTE	(INCLUDES ITEMS 1 THROUGH 9)		EA	

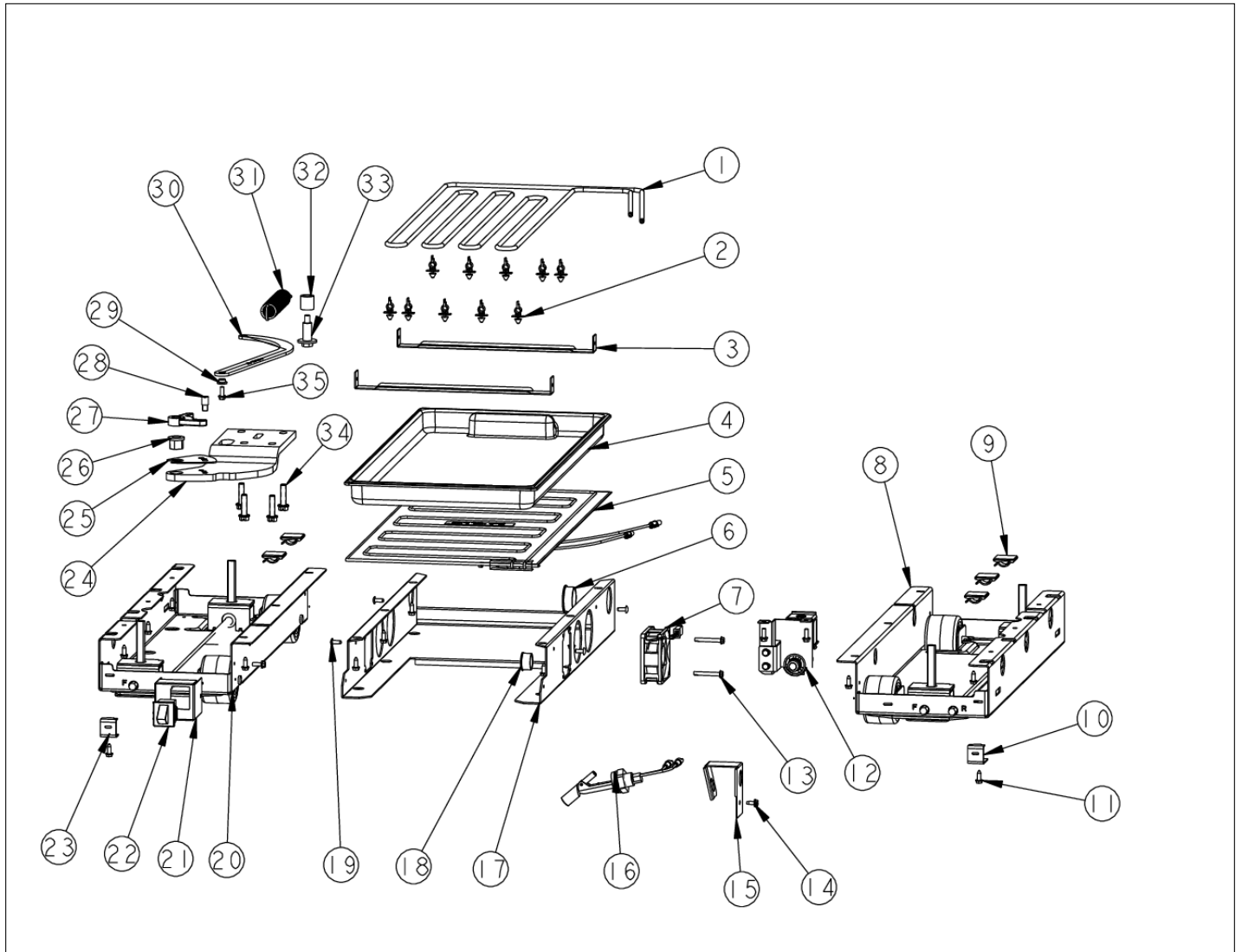
ICE MAKER AREA





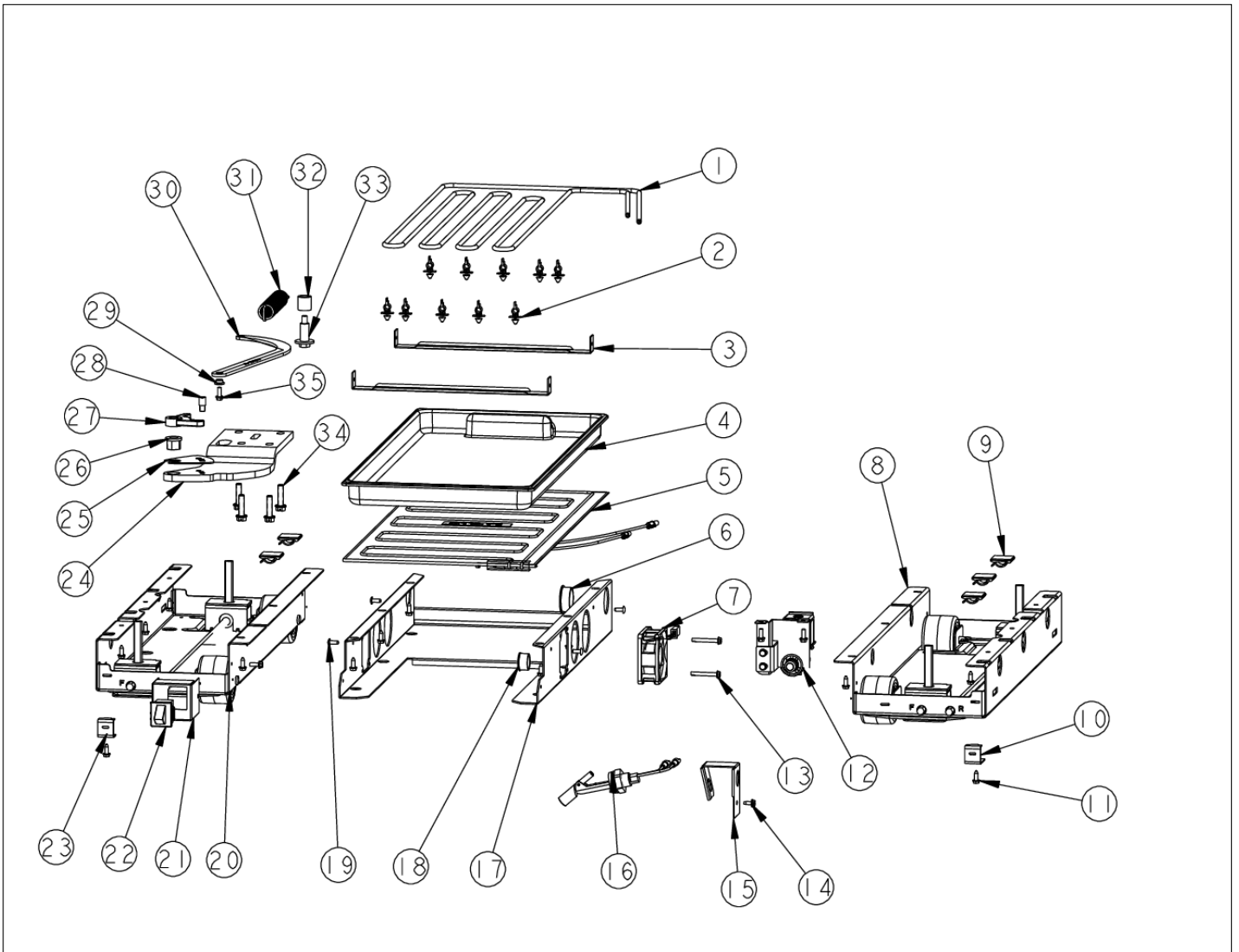
Item	Part No.	Name	Qty	Uom	NOTES
1	C90911930	ASM PAINT SHELF COVER AF 36	1	EA	Not available online / Call for pricing and availability
2	PD950012	STRIKE PANEL ACCESS	1	EA	
3	C90911142WH	PLATE IN MOUNT AF 30 *WH*	1	EA	
4	G50911316	DRAWER ICE ASM AF 30	1	EA	
Not Shown	NOTE	(For Breakdown See Page 003)		EA	
5	A3127415	EXT-FILL TUBE	1	EA	
6	G5096419	FILL TUBE ASSY	1	EA	
<p>Comments for Part Num. G5096419</p> <p>bradleysapplianceservice@shaw.ca on May 11, 2018 This part G5096419 does NOT come with the aluminum tube. If aluminum tube is required, order 005899-000 and cut to size.</p>					
7	PD020194	SCR, HEX SRTD WSHR HD, #8-18 X 1/2	1	EA	
8	002252-000	ICE MAKER	1	EA	
NI	002251-000	ICE MAKER BAIL ARM ASM KIT	1	EA	
NI	002253-000	ICE MAKER WIRE HARNESS KIT	1	EA	
NI	G50911931	SHELF ICE ASM UPPER AF 30	1	EA	
Not Shown	NOTE	INCLUDES ITEMS 1 & 2		EA	

LOWER UNIT AREA





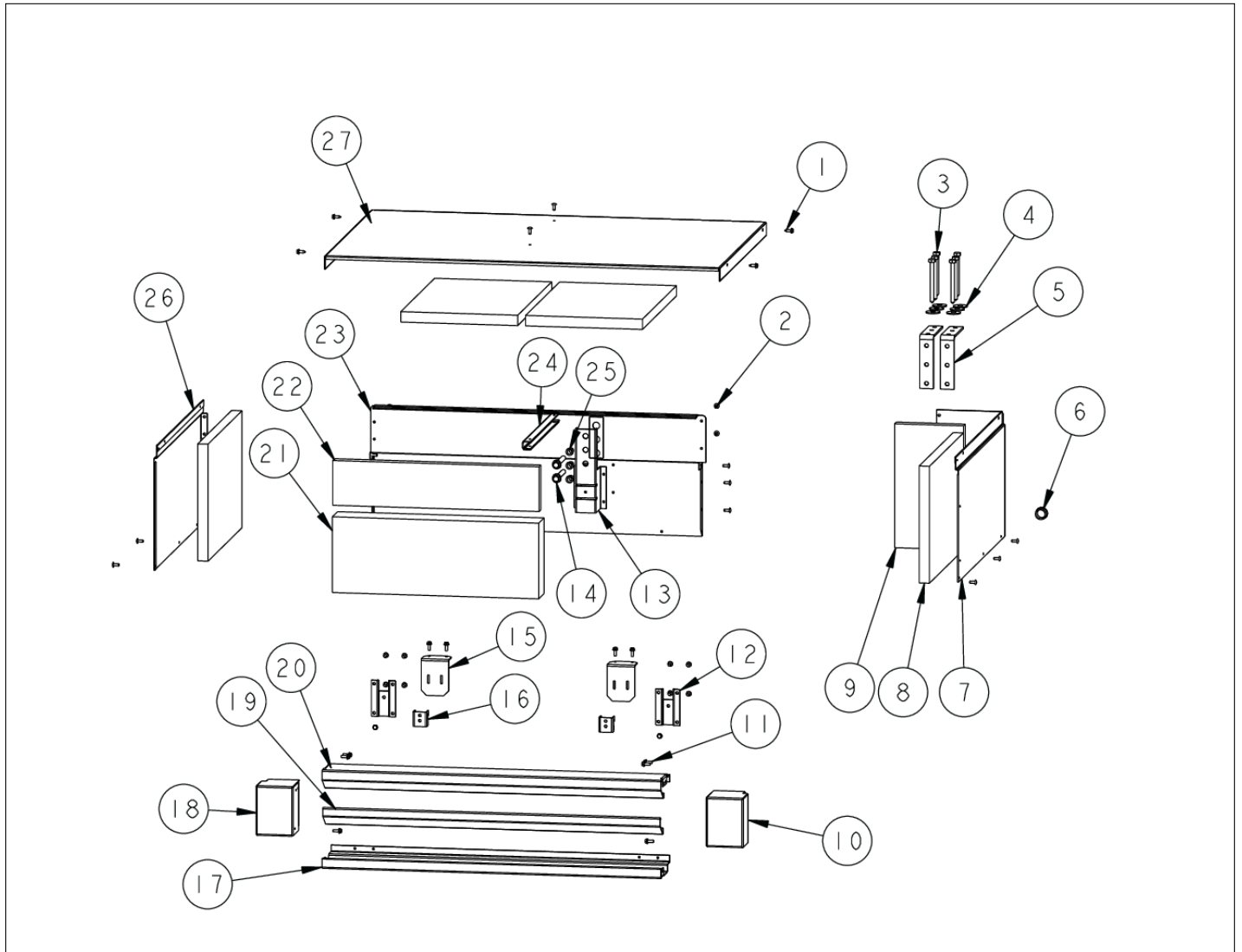
Item	Part No.	Name	Qty	Uom	NOTES
1	F2099927	SERPENTINE AF AR 30	1	EA	
2	PD030146	STAND OFF LOCK CLIP	1	EA	
3	K20911832	BRACKET CONDENSATE SUPPORT	1	EA	
4	PK930347	PAN-DRAIN AF AR 30	1	EA	
5	G50915603	PAN HEATER ASM AF/AR 30	1	EA	
6	A4554817	BUSHING-SNAP VA4554817	1	EA	
7	004551-000	AXIAL FAN	1	EA	
Comments for Part Num. 004551-000					
gboltz@VikingRange.com on Jul 21, 2016					
View service bulletin TR-0052-SP before ordering fan, if applicable order kit instead of fan					
8	060890-000	LEVELER MODULE R	1	EA	
9	M0104106	CLIP-CORD VM0104106	1	EA	
10	K2098044	BRKT GRILLE SUPPORT	1	EA	
11	PD020194	SCR, HEX SRTD WSHR HD, #8-18 X 1/2	1	EA	
12	G32913789	BRKT & VALVE H2O SNGL ASM	1	EA	
13	PD020274	SCR SLTD HEX WSHR HD 8X1.250 BT	1	EA	
14	M0253916	SCR 8-32 SHXW 3/8 TRI-LOBE	1	EA	
15	B20915627	BRACKET HORIZ FLOAT SWITCH	1	EA	
16	PE050248	FLOAT SWITCH HORIZONTAL	1	EA	
17	K20915953	SHIELD BOTTOM DRAIN	1	EA	
18	A4554806	BUSHING-SNAP VA4554806	1	EA	
19	PC040010	POP RIVET (.063/GR -.125) GAMD42-A	1	EA	
20	060891-000	LEVELER MODULE L	1	EA	
21	002668-000	SWITCH,GRILLE,MT,LH	1	EA	
Not Shown	002667-000	SWITCH,GRILLE,MT,RH	1	EA	
22	PE950147	SWITCH SPST NC BLACK	1	EA	





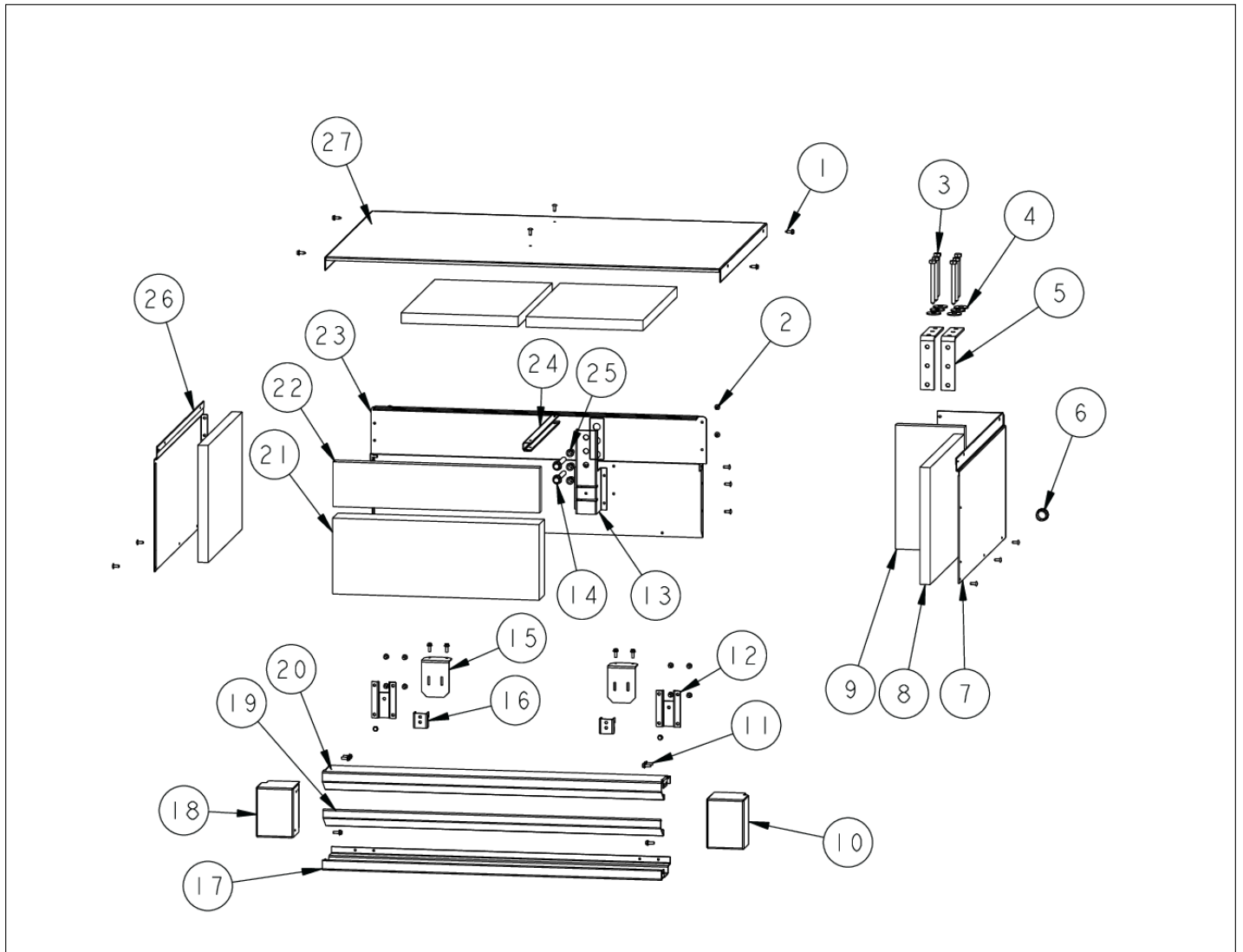
Item	Part No.	Name	Qty	Uom	NOTES
Comments for Part Num. PE950147					
bradleysapplianceservice@shaw.ca on May 1, 2017					
CAUTION WHEN ORDERING DOOR SWITCH. PARTS LISTINGS COULD BE INCORRECT.					
THERE IS TWO VERSIONS OF THIS DOOR SWITCH THAT NEEDS TO BE VISUALLY CHECKED ON UNIT TO DETERMINE CORRECT PART.					
PE950146 DOOR SWITCH 3 WIRE SPDT BLACK					
PE950147 DOOR SWITCH 2 WIRE SPST BLACK					
23	K2098096	BRKT GRILLE SUPPORT	1	EA	
24	PC020289	HINGE PLATE LL	1	EA	
Not Shown	PC020288	HINGE PLATE LR	1	EA	
25	PC920144	PLATE - WC DOOR SHIM	1	EA	
26	PD940090	BUSHING - WC DOOR LEVEL	1	EA	
27	PD940091	BUSHING - DOOR STOP	1	EA	
28	PC920145	PIN - DOOR STOP	1	EA	
29	PD940094	BUSHING	1	EA	
30	PC920149	BAR-WC BOT HINGE LH	1	EA	
Not Shown	PC920166	HINGE ASM COMPLETE RR	1	EA	
31	PC910015	SPRING EXTENSION	1	EA	
32	PD940107	ROUND SPRING SPACER	1	EA	
33	M0221523	SCREW - SHLDR	1	EA	
34	000570-000	FASTENER, BOLT, 1/4-20 IHXWS 1" S ZN SER	1	EA	
35	M0220417	SCREW-TC	1	EA	

MC COVER AND UPPER GRILLE AREA





Item	Part No.	Name	Qty	Uom	NOTES
1	PD020194	SCR, HEX SRTD WSHR HD, #8-18 X 1/2	1	EA	
2	PC040010	POP RIVET (.063/GR -.125) GAMD42-A	1	EA	
3	M0223509	SCREW-LAG	1	EA	
4	M0270510	WASHER #	1	EA	
5	PK910089	BRACKET, ANTI - TIP	1	EA	
6	A4554806	BUSHING-SNAP VA4554806	1	EA	
7	K2099459	MC SIDE (RIGHT)	1	EA	
8	PB070355	INSULATION MC COVER	1	EA	
9	PB970171	MC INSULATION - BACK SIDE	1	EA	Not available online / Call for pricing and availability
10	B20916338	ENDCAP GRILLE PROI L	1	EA	
Not Shown	B20916336	ENDCAP GRILLE PROI N	1	EA	
11	M0220417	SCREW-TC	1	EA	
12	PK050004	BRACKET GRILLE 5 SERIES	1	EA	
13	K20915675	BRACKET PSM	1	EA	
14	PD020233	SCR LAG 5/16-9 GX 5/16X7/16 WAF IHXW 3 S ZN	1	EA	
15	K20916342	BRACKET GRILLE	1	EA	
16	B2096961	BRACKET-LOUVER	1	EA	
17	002840-000	LOUVER,GRL,LWR,30 PROI	1	EA	Not available online / Call for pricing and availability
18	B20916336	ENDCAP GRILLE PROI N	1	EA	
Not Shown	B20916337	ENDCAP GRILLE PROI R	1	EA	
19	002839-000	LOUVER,GRL,MDL,30 PROI	1	EA	Not available online / Call for pricing and availability
20	002838-000	LOUVER,GRL, TOP,30 PROI	1	EA	
21	PB070357	INSULATION MC COVER	1	EA	
22	PB070356	INSULATION MC COVER	1	EA	
23	K2099932	MC BACK 30	1	EA	
24	K2099455	SUPPORT MC Z	1	EA	

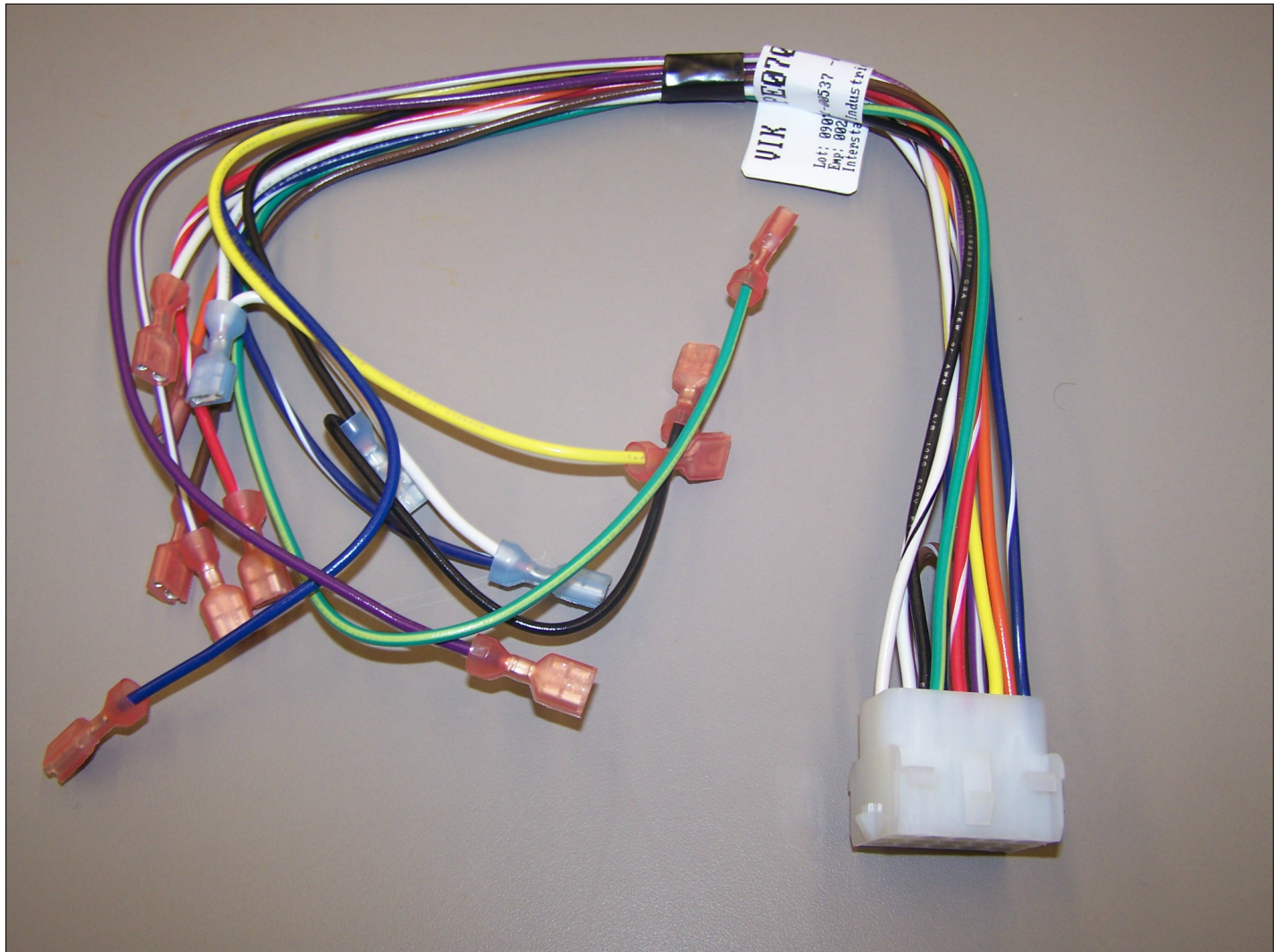




Item	Part No.	Name	Qty	Uom	NOTES
25	PD040157	BEARING SLEEVE	1	EA	
26	K2099460	MC SIDE L	1	EA	
27	K2099930	MC TOP 30	1	EA	



PE070785 HIGH VOLT HARNESS



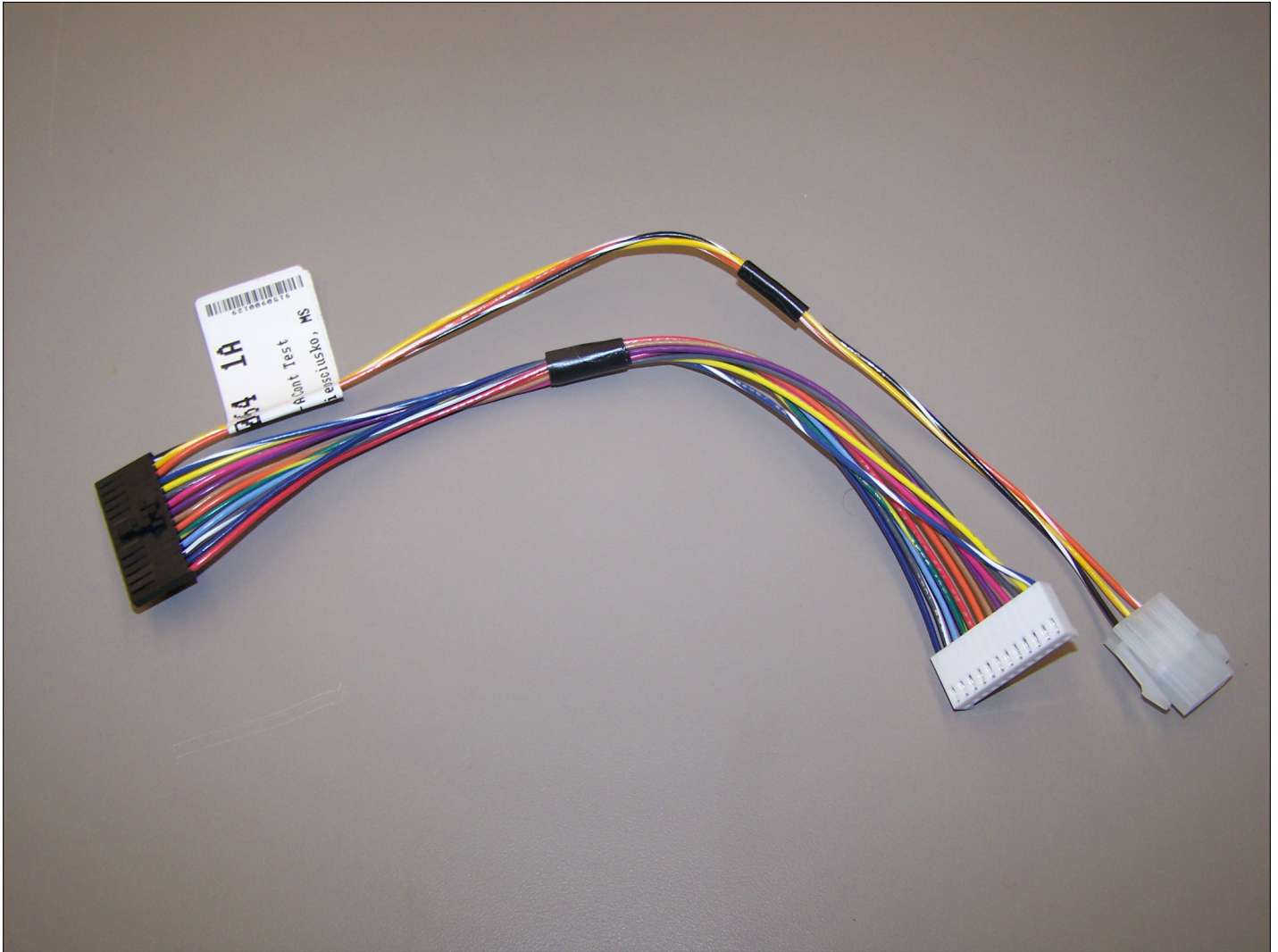


Item	Part No.	Name	Qty	Uom	NOTES
1	PE070785	Harness, High Voltage Board	1	EA	



PE970464 LOW VOLT HARNESS

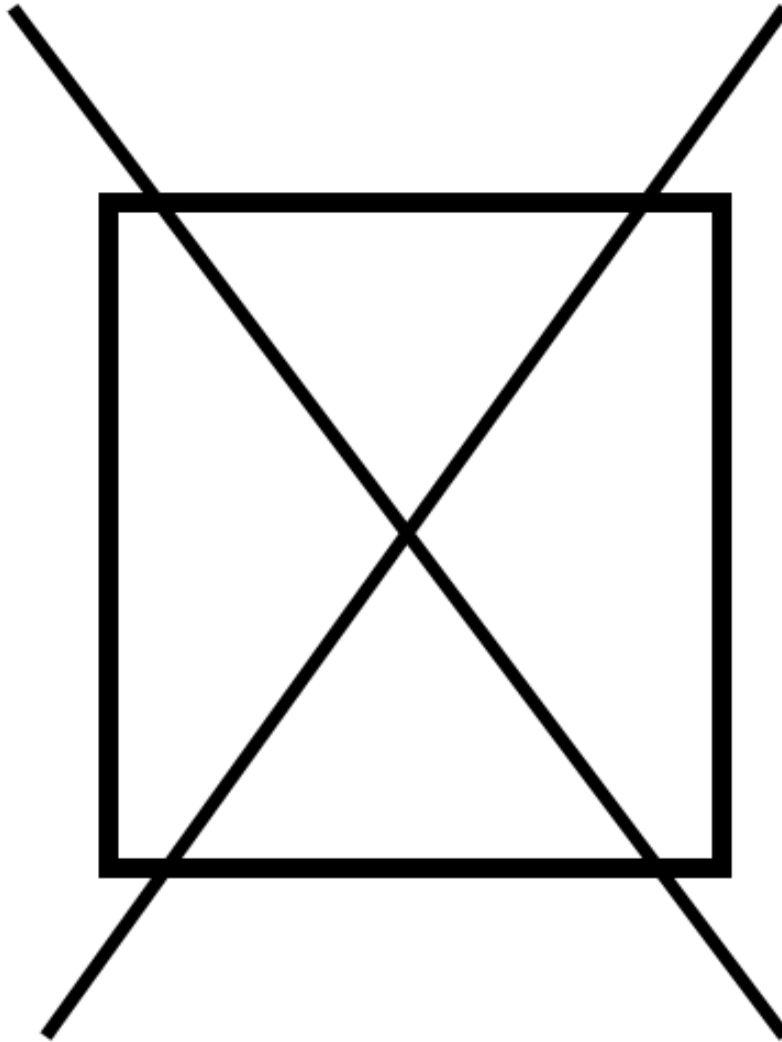
VIFB304JMAG-RSERIES





Item	Part No.	Name	Qty	Uom	NOTES
1	PE970464	HARNESS LOW VOLT 5 SERIES	1	EA	

NON
ILLUSTRATED PART

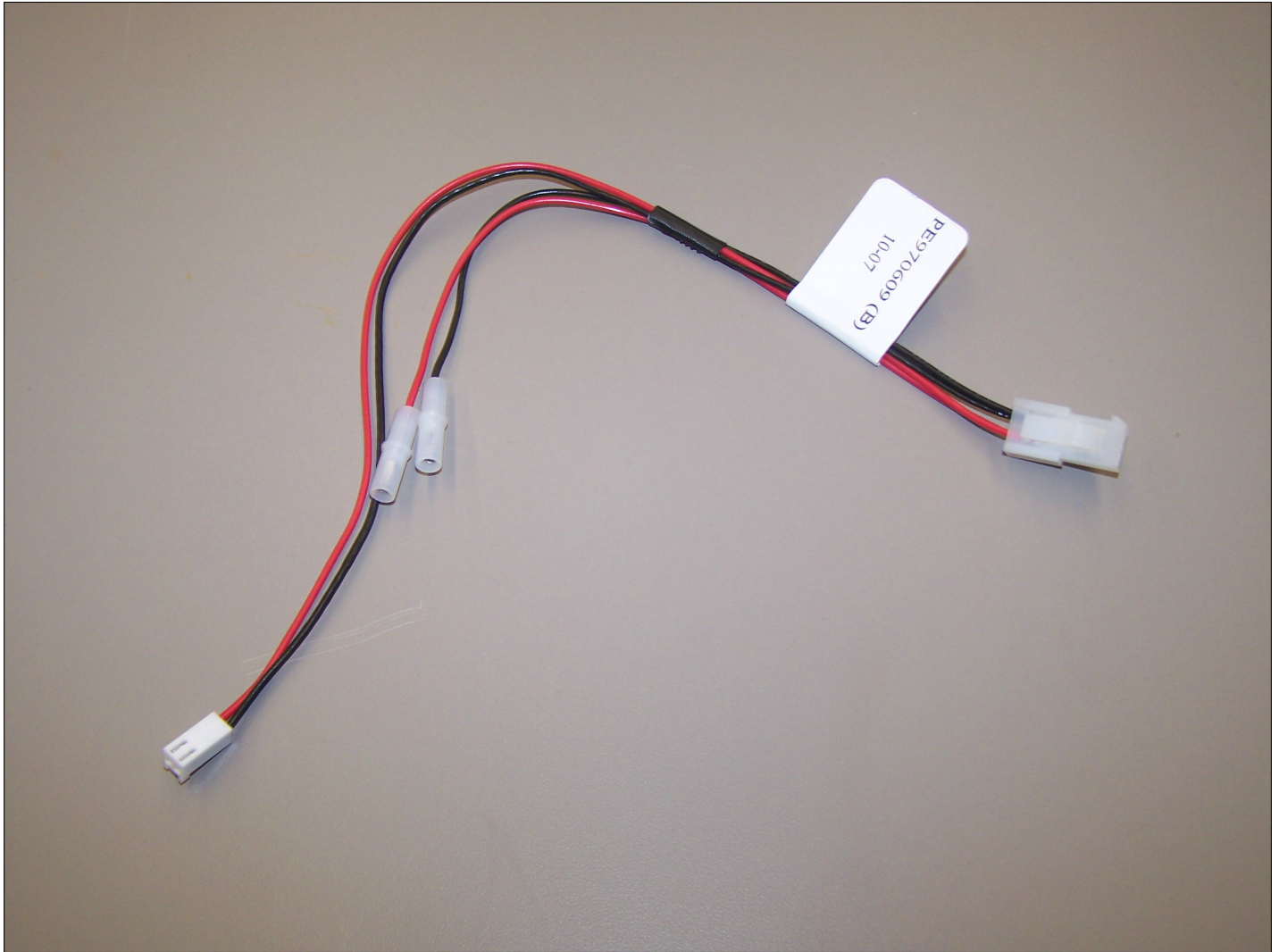




Item	Part No.	Name	Qty	Uom	NOTES
1	PE970570	HARNESS MACH COMP AF 30	1	EA	NO LONGER AVAILABLE, Not available online / Call for pricing and availability



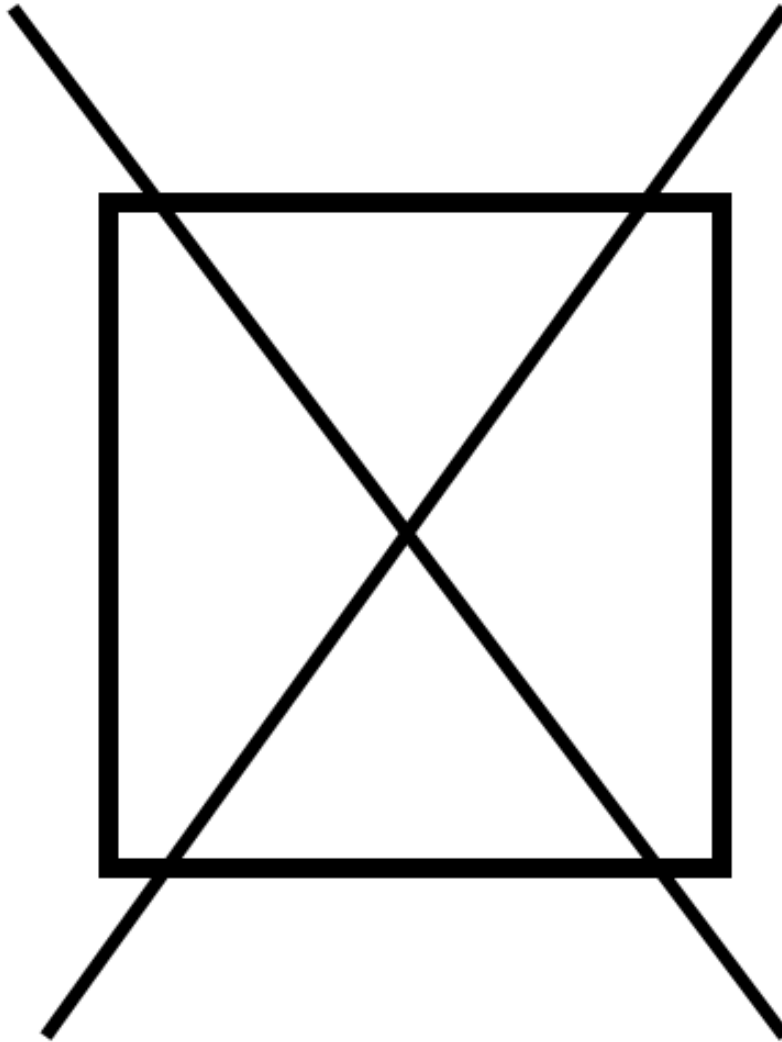
PE970609 CONTROL BOARD HARNESS





Item	Part No.	Name	Qty	Uom	NOTES
1	PE970609	HARNESS CONTROL BOARD 5 SERIES	1	EA	

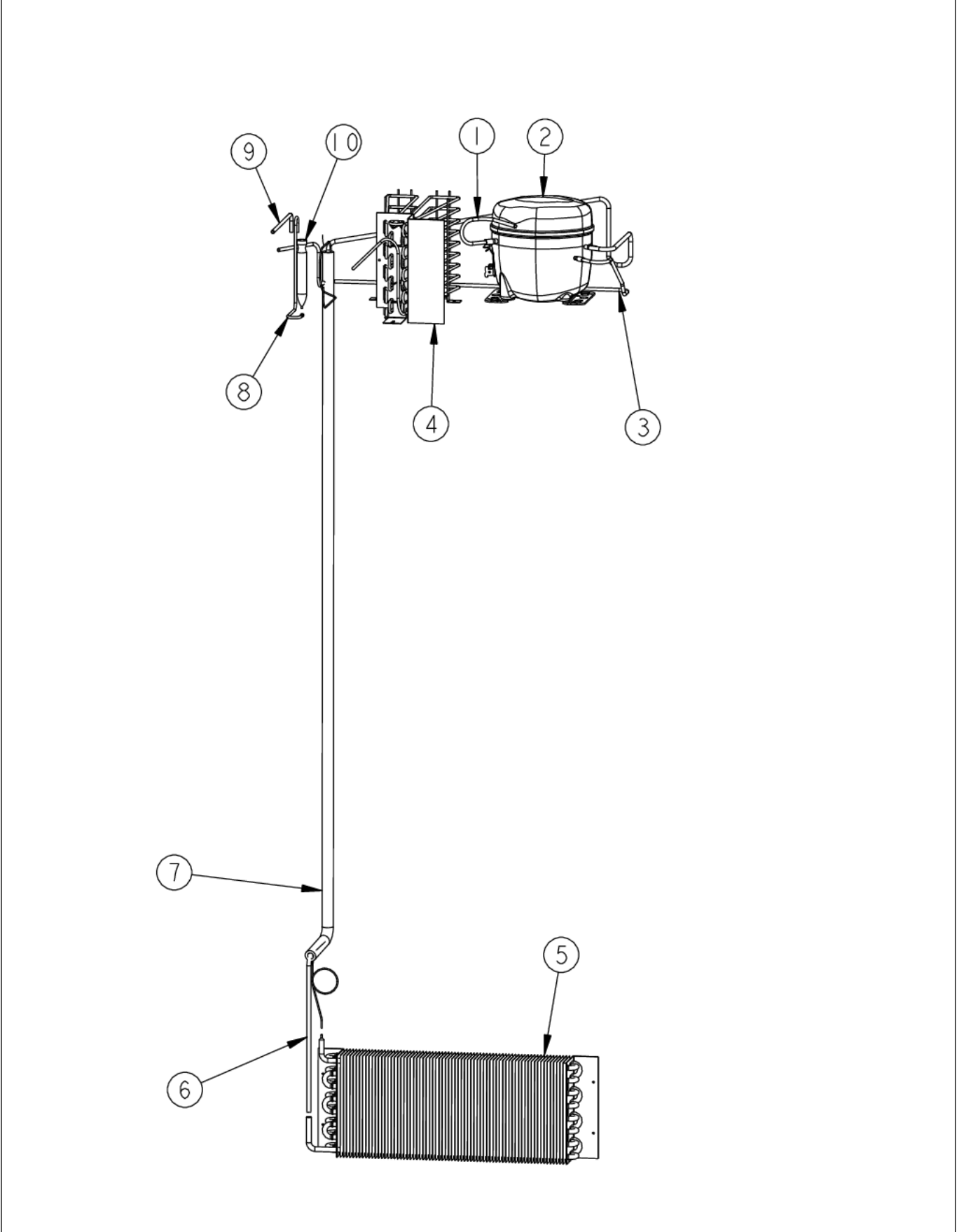
NON
ILLUSTRATED PART





Item	Part No.	Name	Qty	Uom	NOTES
1	PE970641	JUMPER FAN RESISTOR	1	EA	

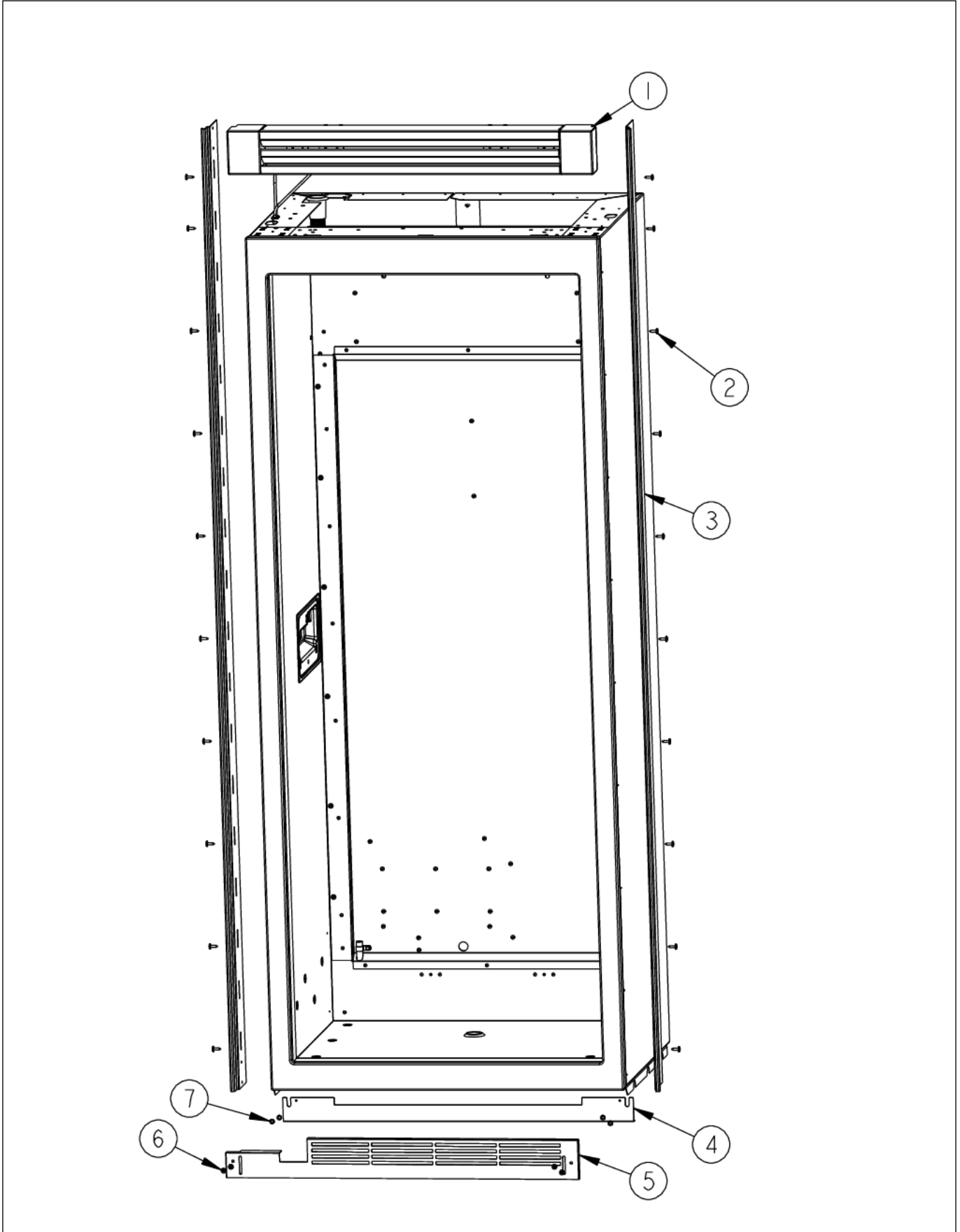
REFRIGERANT SYSTEM





Item	Part No.	Name	Qty	Uom	NOTES
1	F2096507	TUBE-PROCESS GRN	1	EA	
2	G5097976	Compressor Assembly (Includes Drier)	1	EA	
Not Shown	NOTE	(INCLUDES DRIER)		EA	
3	F20910729	TUBE DISCHARGE AF AR 30	1	EA	
4	PB920171	CONDENSER ASM	1	EA	
5	G50912322	EVAP ASM AF 30	1	EA	
6	F20911307	TUBE FORMED HT EXCH AF 30	1	EA	
7	PB970187	INSULATION TUBING 57.500 WC, 5 SERIES	1	EA	
8	F2096669	TUBE-DRIER COND	1	EA	
9	F2097740	TUBE PROCESS	1	EA	
10	PM010616	DRIER - HIGH SIDE	1	EA	

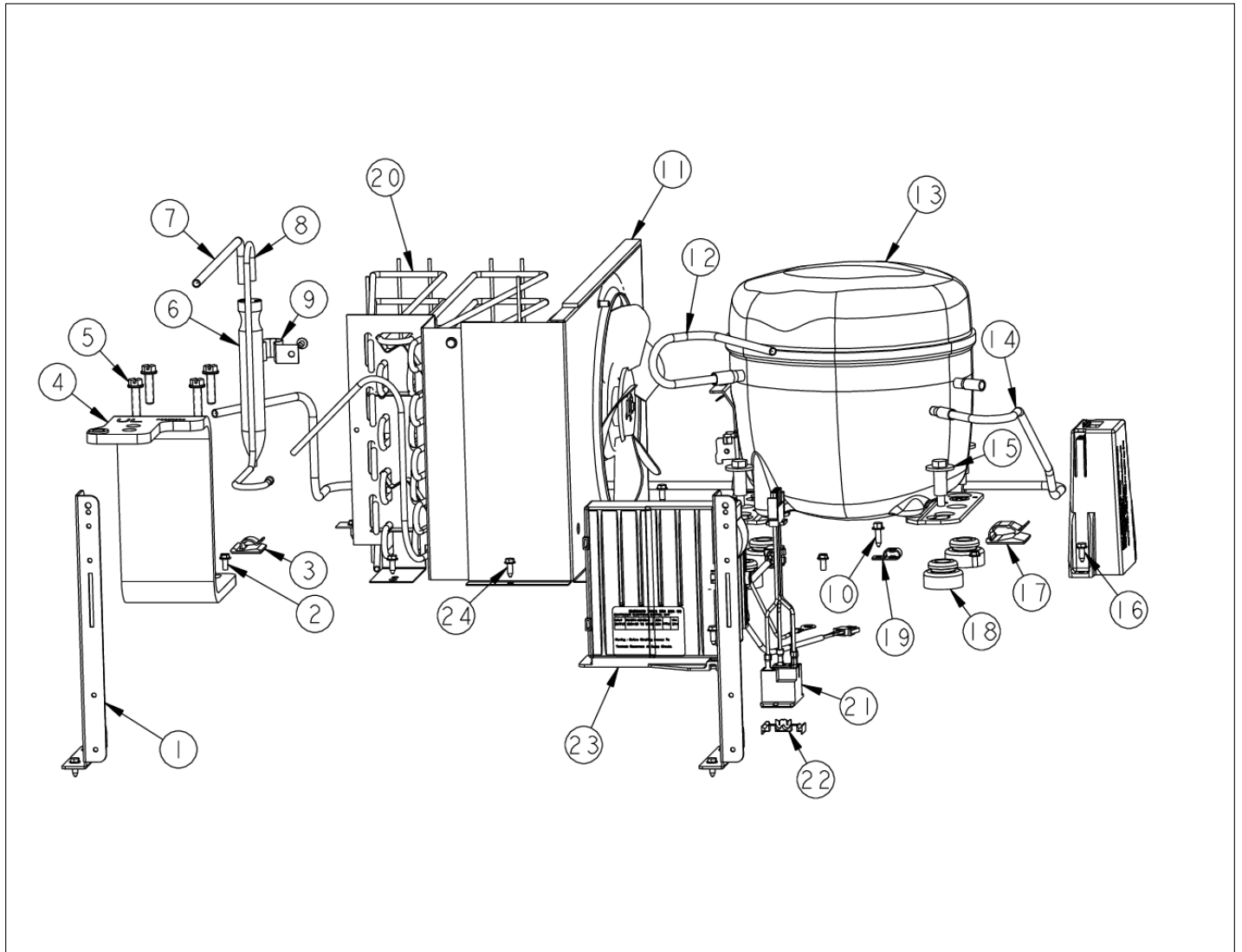
UNIT EXTERIOR





Item	Part No.	Name	Qty	Uom	NOTES
1	002877-000	COMPLETE GRILLE ASSEMBLY - LEFT HINGE	1	EA	
Not Shown	002841-000	GRILLE,ASM,AR AF 30 PROI R	1	EA	
Not Shown	NOTE	(FOR BREAKDOWN SEE PAGE 011)		EA	
2	M0215318	SCREW-SM	1	EA	
3	PK920066	TRIM, EXTRU, SIDE DES	1	EA	
4	000206-002	KICKPLATE, LWR	1	EA	
5	C90910725BK	VENTED TOE GRILLE (LEFT HINGE)	1	EA	Not available online / Call for pricing and availability
Not Shown	C90910758BK	GRILLE TOE VENTED 30 R *BK*	1	EA	
6	M0210443	SCREW-E SM VM0210443	1	EA	
7	40370P01	NYLON FLAT WASHER V40370P01	1	EA	
NI	G50915030	GRILLE TOE ASM AF AR 30 L	1	EA	
Not Shown	NOTE	(CONTAINS ITEMS #4 - #7)		EA	
Not Shown	G50915029	GRILLE TOE ASM AF AR 30 R	1	EA	
Not Shown	NOTE	(CONTAINS ITEMS #4 - #7)		EA	

UPPER UNIT AREA

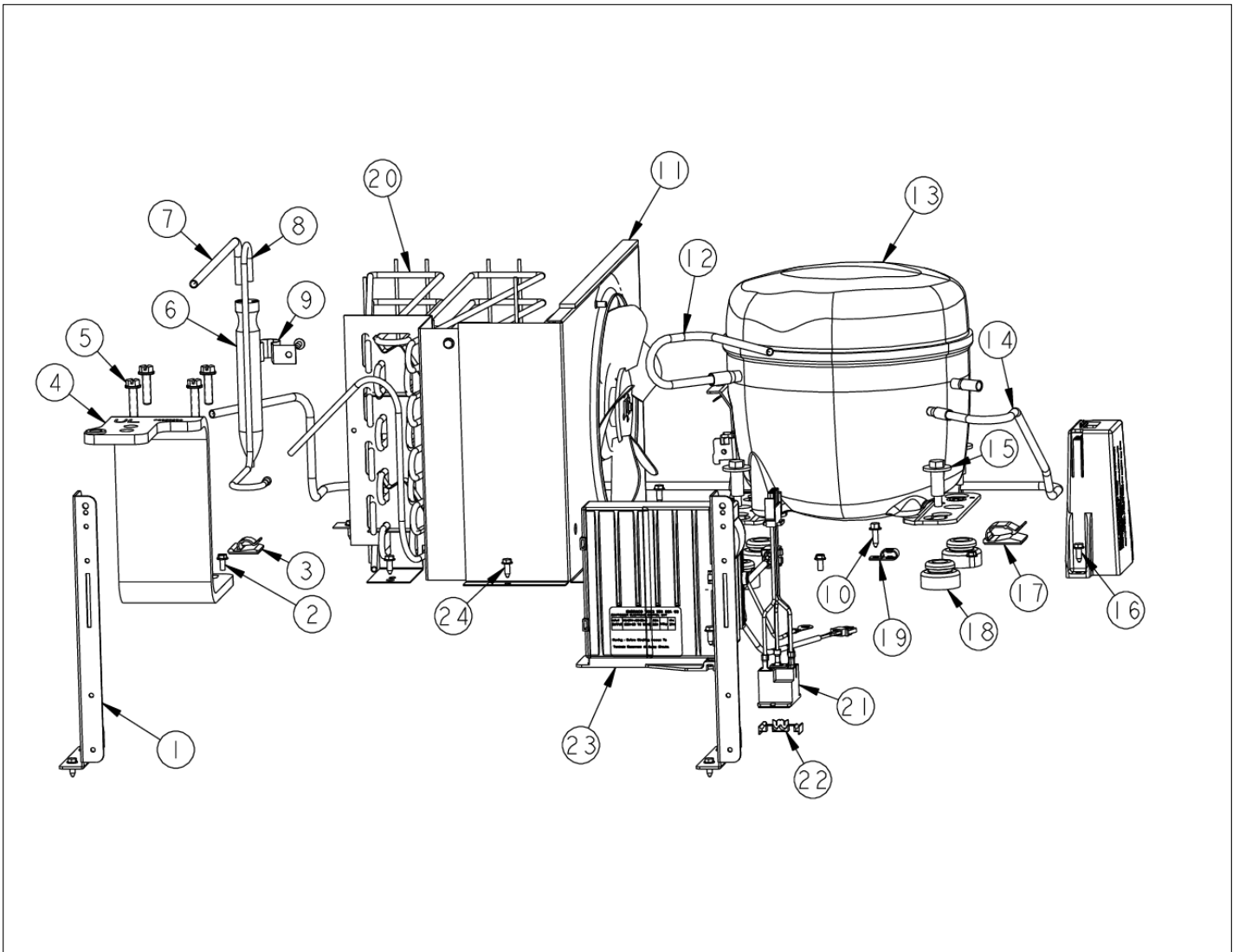




Item	Part No.	Name	Qty	Uom	NOTES
1	K20912569	BRACKET GRILLE SUPPORT	1	EA	
2	PD020010	10 X 3/8 GREEN GROUNDING SCREW	1	EA	
3	M0104106	CLIP-CORD VM0104106	1	EA	
4	PC920204	HINGE ASM UL	1	EA	
Not Shown	PC920203	HINGE ASM UR	1	EA	
5	000570-000	FASTENER, BOLT, 1/4-20 IHXWS 1" S ZN SER	1	EA	
6	PM010616	DRIER - HIGH SIDE	1	EA	
7	F2097740	TUBE PROCESS	1	EA	
8	F2096669	TUBE-DRIER COND	1	EA	
9	10547001	CLIP-DRIER V10547001	1	EA	
10	PD020195	SCR 8-18 X 5/8	1	EA	
11	G5096494	COND. FAN ASSY	1	EA	
12	F2096507	TUBE-PROCESS GRN	1	EA	
13	G5097976	Compressor Assembly (Includes Drier)	1	EA	
Not Shown	NOTE	(INCLUDES DRIER)		EA	
14	F20910729	TUBE DISCHARGE AF AR 30	1	EA	
15	M0221523	SCREW - SHLDR	1	EA	
16	050894-000	ASSY, BKT, PWR SUPPLY, 24VDC, REF	1	EA	
17	M0104102	CLIP-CORD RED	1	EA	
18	10835901	GROMMET RUBBER V10835901	1	EA	
19	002573-000	CLAMP CORD	1	EA	
20	PB920171	CONDENSER ASM	1	EA	
21	G50915958	ASM AR SABBATH MODE RELAY	1	EA	
22	M0327801	TAP-ELECTRO	1	EA	
23	011666-000	INVERTER,CMPR,ASM	1	EA	

Comments for Part Num. 011666-000

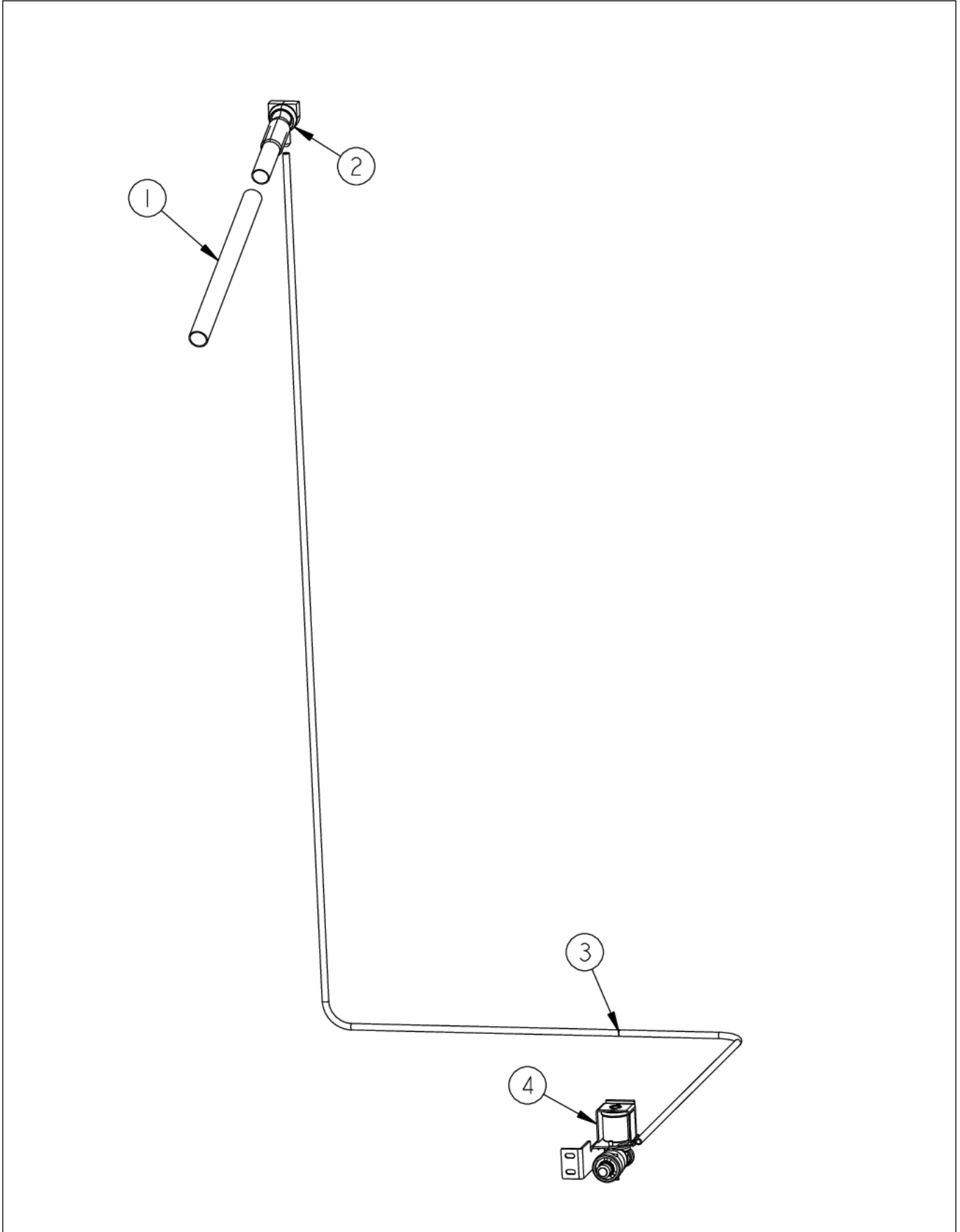
gboltz@VikingRange.com on Aug 9, 2018
See 2018-01P Parts Bulletin





Item	Part No.	Name	Qty	Uom	NOTES
24	PD020194	SCR, HEX SRTD WSHR HD, #8-18 X 1/2	1	EA	

WATER SYSTEM





Item	Part No.	Name	Qty	Uom	NOTES
1	A3127415	EXT-FILL TUBE	1	EA	
2	G5096419	FILL TUBE ASSY	1	EA	
Comments for Part Num. G5096419					
bradleysapplianceservice@shaw.ca on May 11, 2018					
This part G5096419 does NOT come with the aluminum tube.					
If aluminum tube is required, order 005899-000 and cut to size.					
3	PB020304	PLASTIC TUBING-IM WATERLINE	1	EA	
4	PA970012	SINGLE WATER VALVE	1	EA	



Appendix A:Pages Index

10916507 POWER CORD 1
BASKET DRAWER 2
CONTROL AREA 3
EVAPORATOR AREA 4
FREEZER COMPARTMENT 5
FREEZER DOOR FOAM AREA 6
FREEZER DOOR SKIN AREA 7
FREEZER SHELVING 8
ICE DRAWER 9
ICE MAKER AREA 10
LOWER UNIT AREA 11
MC COVER AND UPPER GRILLE AREA 12
PE070785 HIGH VOLT HARNESS 13
PE970464 LOW VOLT HARNESS 14
PE970570 MACHINE HARNESS 15
PE970609 CONTROL BOARD HARNESS 16
PE970641 FAN RESISTOR JUMPER 17
REFRIGERANT SYSTEM 18
UNIT EXTERIOR 19
UPPER UNIT AREA 20
WATER SYSTEM 21



Appendix B:Parts Index

000206-002	19	003618-027MS	7
000268-000	7	003622-000	7
000570-000	11, 20	003628-002BK	7
001617-000	6	003628-003BT	7
001955-000	6	003628-004SG	7
002251-000	10	003628-005GG	7
002252-000	10	003628-006WH	7
002253-000	10	003628-007AL	7
002573-000	20	003628-008BU	7
002667-000	11	003628-011FG	7
002668-000	11	003628-012VB	7
002838-000	12	003628-013CB	7
002839-000	12	003628-014EP	7
002840-000	12	003628-015PL	7
002841-000	19	003628-016CH	7
002877-000	19	003628-017TP	7
003617-000	7	003628-018CW	7
003618-002BK	7	003628-019OG	7
003618-003BT	7	003628-020GM	7
003618-004SG	7	003628-021SA	7
003618-005GG	7	003628-022SE	7
003618-006WH	7	003628-023IB	7
003618-007AL	7	003628-024AR	7
003618-008BU	7	003628-025RR	7
003618-011FG	7	003628-026PM	7
003618-012VB	7	003628-027MS	7
003618-013CB	7	004528-000	5
003618-014EP	7	004551-000	11
003618-015PL	7	005319-000	3
003618-016CH	7	005448-000	6
003618-017TP	7	005795-000	9
003618-018CW	7	011666-000	20
003618-019OG	7	014581-000	7, 7
003618-020GM	7	016181-000	6
003618-021SA	7	016182-000	6
003618-022SE	7	016434-000	3
003618-023IB	7	020114-000	5
003618-024AR	7	036880-000	6
003618-025RR	7	050894-000	20
003618-026PM	7	056843-000	7
		058966-000	4



VIFB304JMAG-RSERIES

060890-000	11	G5096419	10, 21
060891-000	11	G5096494	20
10270203	5	G5097976	18, 20
10547001	20	G90911311	5
10835901	20	G90911313WH	2
10916507	1	G90911314WH	9
12064001	3	K20910060	3
12234001	4	K20910061	3
40370P01	19	K20911832	11
A3030361	3	K20911928	5
A3127415	10, 21	K20911929	5
A4554806	11, 12	K20912558	4
A4554817	3, 11	K20912559	4
B20915627	11	K20912562	4
B20916336	12, 12	K20912569	20
B20916337	12	K20912597	4
B20916338	12	K20912598	4
B2096961	12	K20915000	3
B5733302	5	K20915675	12
C8983701	5	K20915953	11
C90910725BK	19	K20916342	12
C90910758BK	19	K2097526	7
C90910784WH	5	K2098044	11
C90911142WH	5, 10	K2098096	11
C90911930	10	K2098654	3
F20910729	18, 20	K2099402	3
F20911307	18	K2099455	12
F2096507	18, 20	K2099459	12
F2096669	18, 20	K2099460	12
F2097740	18, 20	K2099930	12
F2099927	11	K2099932	12
G32913789	11	L20911932	5
G32915042	6	L2099055	5
G50911315	2, 8	L2099492	5
G50911316	8, 9, 10	M0104102	20
G50911931	8, 10	M0104106	3, 4, 11, 20
G50912322	18	M0204303	7
G50915029	19	M0210443	19
G50915030	19	M0210458	6, 7
G50915603	11	M0211014	5
G50915958	20	M0215318	19



VIFB304JMAG-RSERIES

M02172046	4	PD020233	12
M0220417	11, 12	PD020274	11
M0221523	11, 20	PD030006	7
M0223509	12	PD030146	11
M0224128	3	PD040157	12
M0238535	5	PD040162	6
M0238846	3	PD050019	6
M0238859	4	PD920161	2, 9
M0253916	11	PD920174	6
M0270510	12	PD940090	11
M0288120	3	PD940091	11
M0327801	20	PD940094	11
M0585504	3	PD940107	11
M0585506	3	PD950012	5, 10
PA970012	21	PD950013	5
PB020304	21	PE010030	7
PB070355	12	PE010031	7
PB070356	12	PE010068	7
PB070357	12	PE010076	7
PB920171	18, 20	PE030001PVD	7
PB970171	12	PE030012PVD	7
PB970187	18	PE050248	11
PB970211	9	PE070728	3
PC020278	6	PE070785	13
PC020279	6	PE930101	7
PC020288	11	PE940176	7, 7
PC020289	11	PE940233	2, 9
PC040010	3, 3, 11, 12	PE950125	5
PC080031	5	PE950147	11
PC910015	11	PE950149	3
PC920144	11	PE950154	4
PC920145	11	PE950182	3
PC920149	11	PE970464	14
PC920166	11	PE970570	15
PC920203	20	PE970609	16
PC920204	20	PE970641	4, 17
PD020010	20	PF930487	3
PD020013	3	PF930672	3
PD020032	5	PJ910038	4
PD020194	2, 3, 4, 5, 10, 11, 12, 20	PK050004	12
PD020195	20	PK910089	12



PK920060	2, 9
PK920061	2, 9
PK920066	19
PK930316	2, 9
PK930317	2, 9
PK930332	3
PK930347	11
PM010616	18, 20
PM910068	7
PM910282	5
PM910285	5
PM910325	3
PM910402	2
PM910405	8
PM910439	2
PM910456	4
PM910468	4