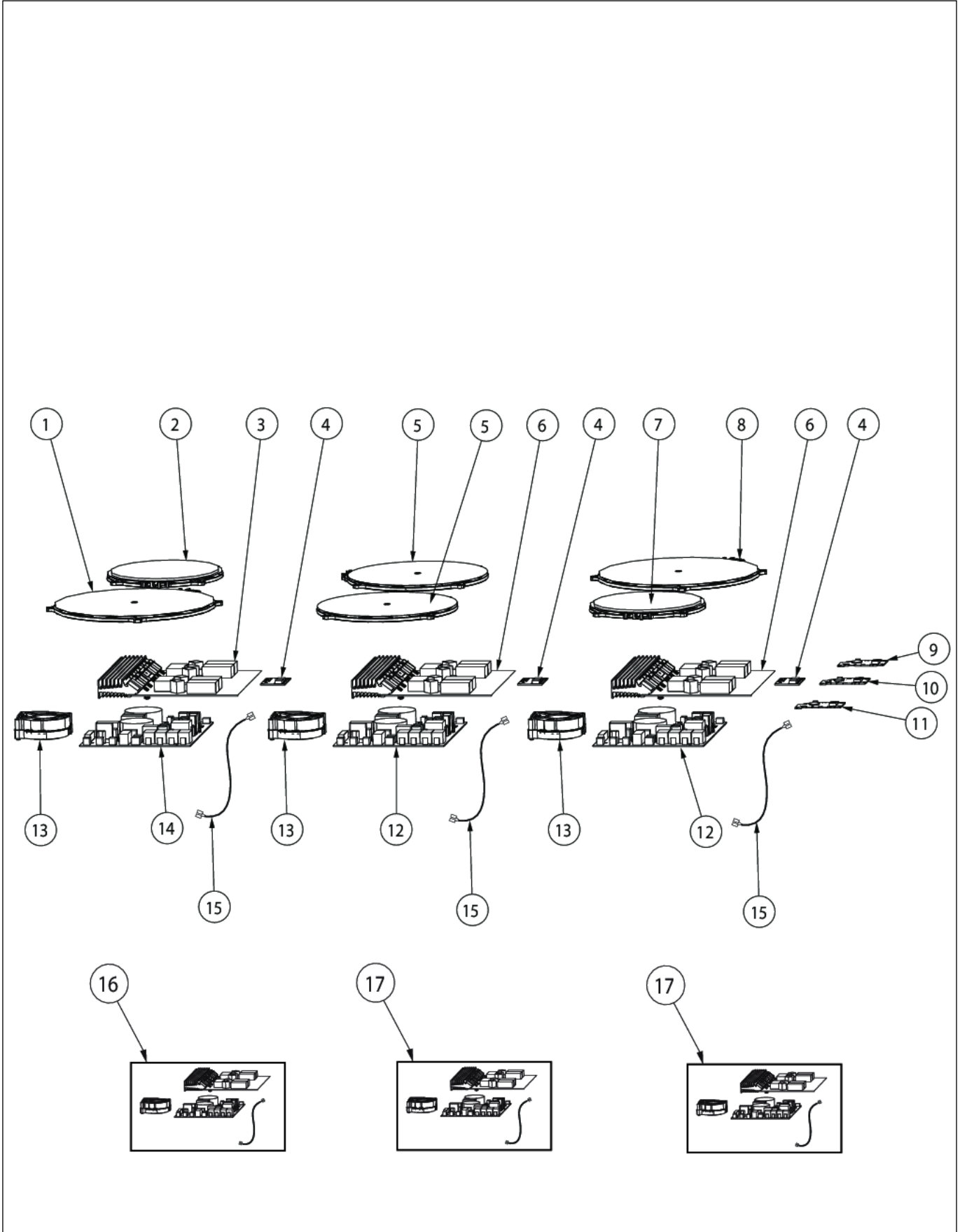


VICU266

BOARD COMPONENTS	1
UNIT COMPONENTS	2
VICU266 Wiring	3
Appendix A:Pages Index	A
Appendix B:Parts Index	B

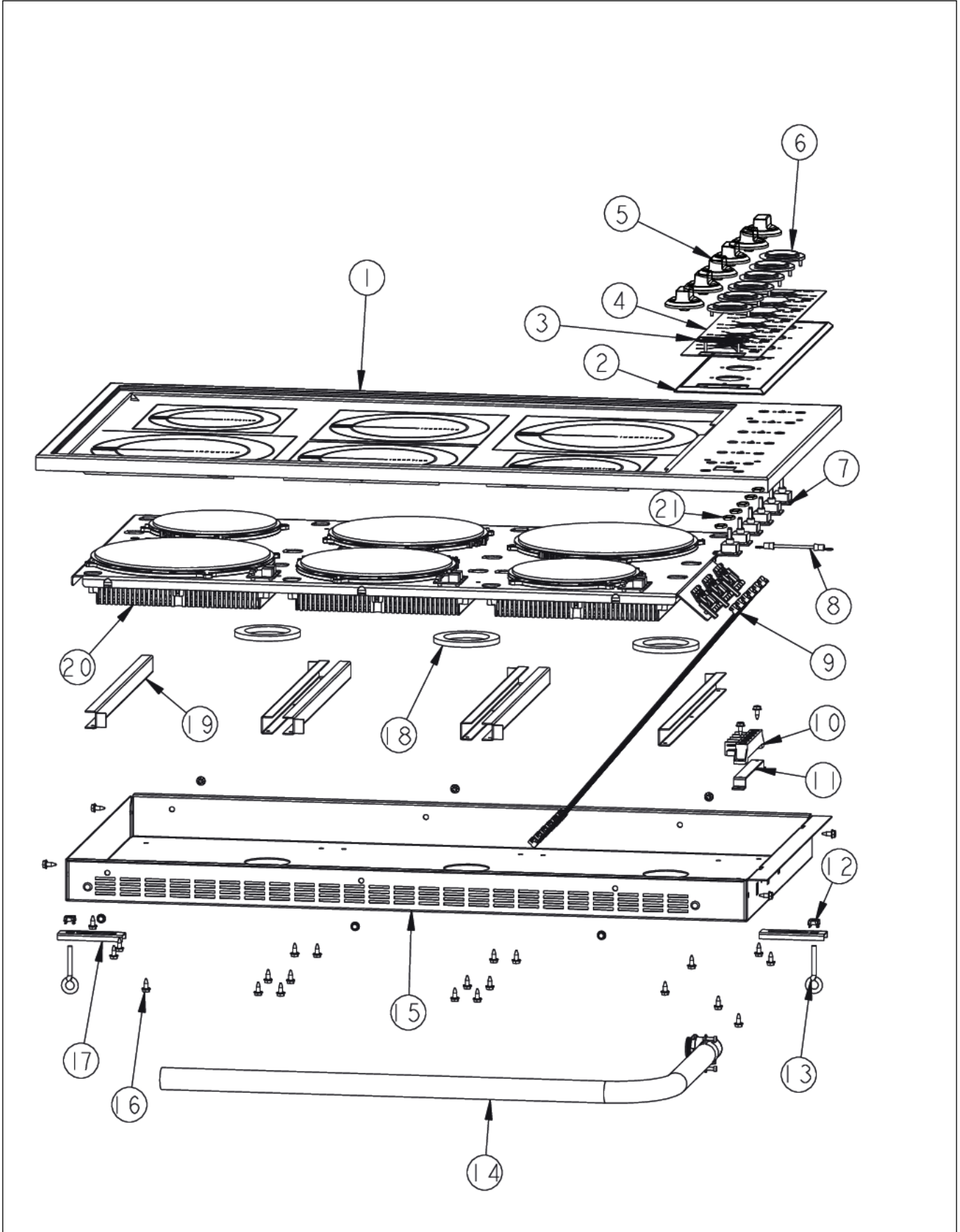
BOARD COMPONENTS





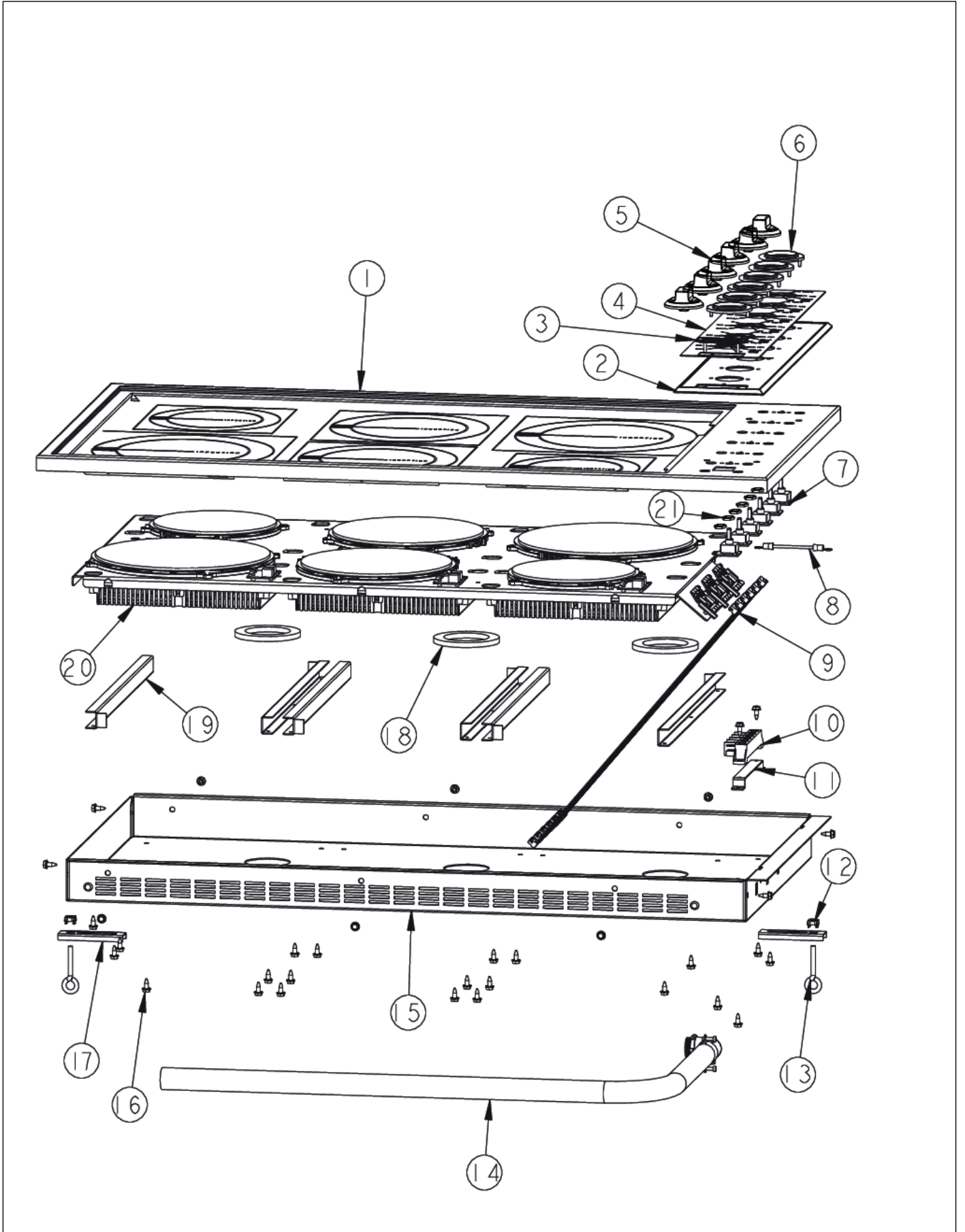
Item	Part No.	Name	Qty	Uom	NOTES
1	007545-000	COIL, IND, 210MM	1	EA	
2	007508-000	COIL, IND, 145MM	1	EA	
3	015135-000	POWER BOARD KIT - 3.7KW	1	EA	
4	003136-000	INDICATOR, IND, RED	3	EA	
5	003134-000	COIL, IND, 180MM	2	EA	
6	015132-000	POWER BOARD KIT - 3.2KW	2	EA	
7	007508-000	COIL, IND, 145MM	1	EA	
8	003135-000	COIL, IND, 210MM	1	EA	
9	003154-043	CONV 3700/1400 WATT	1	EA	
Not Shown	NOTE	(FOR LEFT MODULE)		EA	
10	003154-044	CONV 1850 WATT	1	EA	
Not Shown	NOTE	(FOR CENTER MODULE)		EA	
11	003154-045	INDUCTION ADAPTER 145MM/210MM(3.2KW)	1	EA	
Not Shown	NOTE	(FOR RIGHT MODULE)		EA	
12	015131-000	FILTER BOARD KIT - 3.2KW	2	EA	
13	015127-000	FAN KIT	3	EA	
14	015134-000	FILTER BOARD KIT - 3.7KW	1	EA	
15	015129-000	CABLE KIT	3	EA	
Not Shown	NOTE	(FILTER BOARD TO POWER BOARD)		EA	
16	007544-000	COOKTOP GENERATOR 3700/1400 WATT	1	EA	
Not Shown	NOTE	(INCLUDES PART #'S 015135-000, 015129-000, 015127-000, AND 015134-000)		EA	
17	003133-000	COOKTOP, GEN	2	EA	
Not Shown	NOTE	(INCLUDES PART #'S 015132-000, 015129-000, 015127-000, AND 015131-000)		EA	

UNIT COMPONENTS





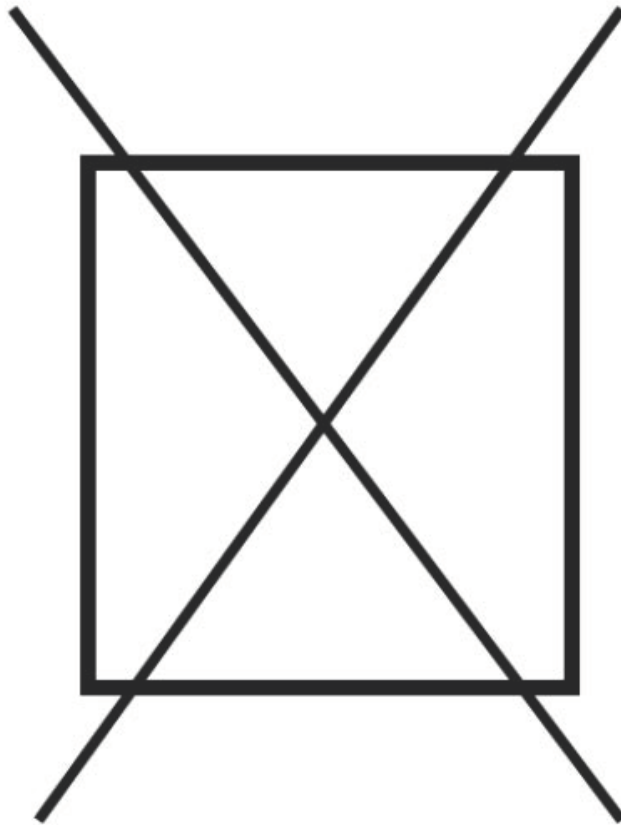
Item	Part No.	Name	Qty	Uom	NOTES
1	005958-000	TOP ASM, VICU36	1	EA	
Not Shown	005958-006	TOP ASM, VICU36 WH	1	EA	
2	PE040251	36" ELECTRIC CONTROL PANEL	1	EA	
Not Shown	PE040251PVD	36" ELECTRIC CONTROL PANEL *PVD*	1	EA	NO LONGER AVAILABLE, Not available online / Call for pricing and availability
3	PE010191	2 1/2" VIKING LOGO BLACK/CHROME	1	EA	
Not Shown	PE010192	2 1/2" VIKING LOGO BLACK/BRASS	1	EA	
Not Shown	PE010193	2 1/2" VIKING LOGO WHITE/CHROME	1	EA	
Not Shown	PE010194	2 1/2" VIKING LOGO WHITE/BRASS	1	EA	NO LONGER AVAILABLE
4	005965-000	CONTROL PANEL, ASM VICU36 SS	1	EA	
Not Shown	005965-006	CONTROL PANEL, ASM VICU36 WH	1	EA	
5	G50012165BK	INDUCTION KNOB BEZEL ASSY *BK*	4	EA	
Not Shown	G50012165BKBR	INDUCTION KNOB ASSEMBLY - BK / BR	4	EA	
Not Shown	G50012165WH	INDUCTION KNOB BEZEL ASSY *WH*	4	EA	NO LONGER AVAILABLE, Not available online / Call for pricing and availability
Not Shown	G50012165WHBR	INDUCTION KNOB BEZEL ASSY *WHBR*	4	EA	NO LONGER AVAILABLE, Not available online / Call for pricing and availability
6	PB010262	LOWER BEZEL	6	EA	
Not Shown	PB01026PVD	LOWER VGSU BEZEL - BR	6	EA	Not available online / Call for pricing and availability
7	003225-000	ROTARY INDUCTION CONTROL	6	EA	
8	010927-000	GROUND WIRE ASM, VICU	1	EA	
9	004073-000	ALPS TO CONVERTER CABLE	6	EA	





Item	Part No.	Name	Qty	Uom	NOTES
10	054135-000	BLOCK, TERMINAL, 6-POLE (Heyco # 9454)	1	EA	
11	A2005084	INDUCTION TERMINAL BOARD BRACKET	1	EA	NO LONGER AVAILABLE, Not available online / Call for pricing and availability
12	PD030029	SELF RETAINING NUT (1/4-20)	2	EA	
13	PD010027	EYE BOLT-VGSU101/161	2	EA	
14	040189-000	CONDUIT CORD	1	EA	
15	004524-000	BURNER BOX VICU 36"	1	EA	
16	003860-000	FASTENER,SCR,HXWH,STL,ZP LT,10-18 x .500	34	EA	
17	A2003053	Retainer Bracket	2	EA	
18	003820-000	INDUCTION FAN SEAL - NLA	3	EA	
19	004525-000	BRACKET, VICU	6	EA	
20	NOT FIELD REPLACEABLE	BURNER, IND, MODULE, 6B	1	EA	
Not Shown	NOTE	(SEE BOARD COMPONENTS FOR ORDERABLE PARTS)		EA	
21	PD030114	INDUCTION CONTROL NUT	6	EA	

NON
ILLUSTRATED PART





Item	Part No.	Name	Qty	Uom	NOTES
NI	070996-000	Power Jumper Assembly R/C	1	EA	
NI	070997-000	Cable - Left Interface to Left Power Board	1	EA	
NI	070998-000	Cable - Right Interface to Right Power Board	1	EA	
NI	070999-000	Cable - Center Interface to Center Power Board	1	EA	
NI	070990-000	Interface to LED Board - Right Module (Domino)	2	EA	
NI	070991-000	Interface to LED Board - Center Module (Domino)	2	EA	
NI	071000-000	Interface to LED Board - Left Module (Domino)	2	EA	



Appendix A:Pages Index

BOARD COMPONENTS	1
UNIT COMPONENTS	2
VICU266 Wiring	3



Appendix B:Parts Index

003133-000 1	G50012165WH 2
003134-000 1	G50012165WHBR 2
003135-000 1	PB010262 2
003136-000 1	PB01026PVD 2
003154-043 1	PD010027 2
003154-044 1	PD030029 2
003154-045 1	PD030114 2
003225-000 2	PE010191 2
003820-000 2	PE010192 2
003860-000 2	PE010193 2
004073-000 2	PE010194 2
004524-000 2	PE040251 2
004525-000 2	PE040251PVD 2
005958-000 2		
005958-006 2		
005965-000 2		
005965-006 2		
007508-000 1, 1		
007544-000 1		
007545-000 1		
010927-000 2		
015127-000 1		
015129-000 1		
015131-000 1		
015132-000 1		
015134-000 1		
015135-000 1		
040189-000 2		
054135-000 2		
070990-000 3		
070991-000 3		
070996-000 3		
070997-000 3		
070998-000 3		
070999-000 3		
071000-000 3		
A2003053 2		
A2005084 2		
G50012165BK 2		
G50012165BKBR 2		