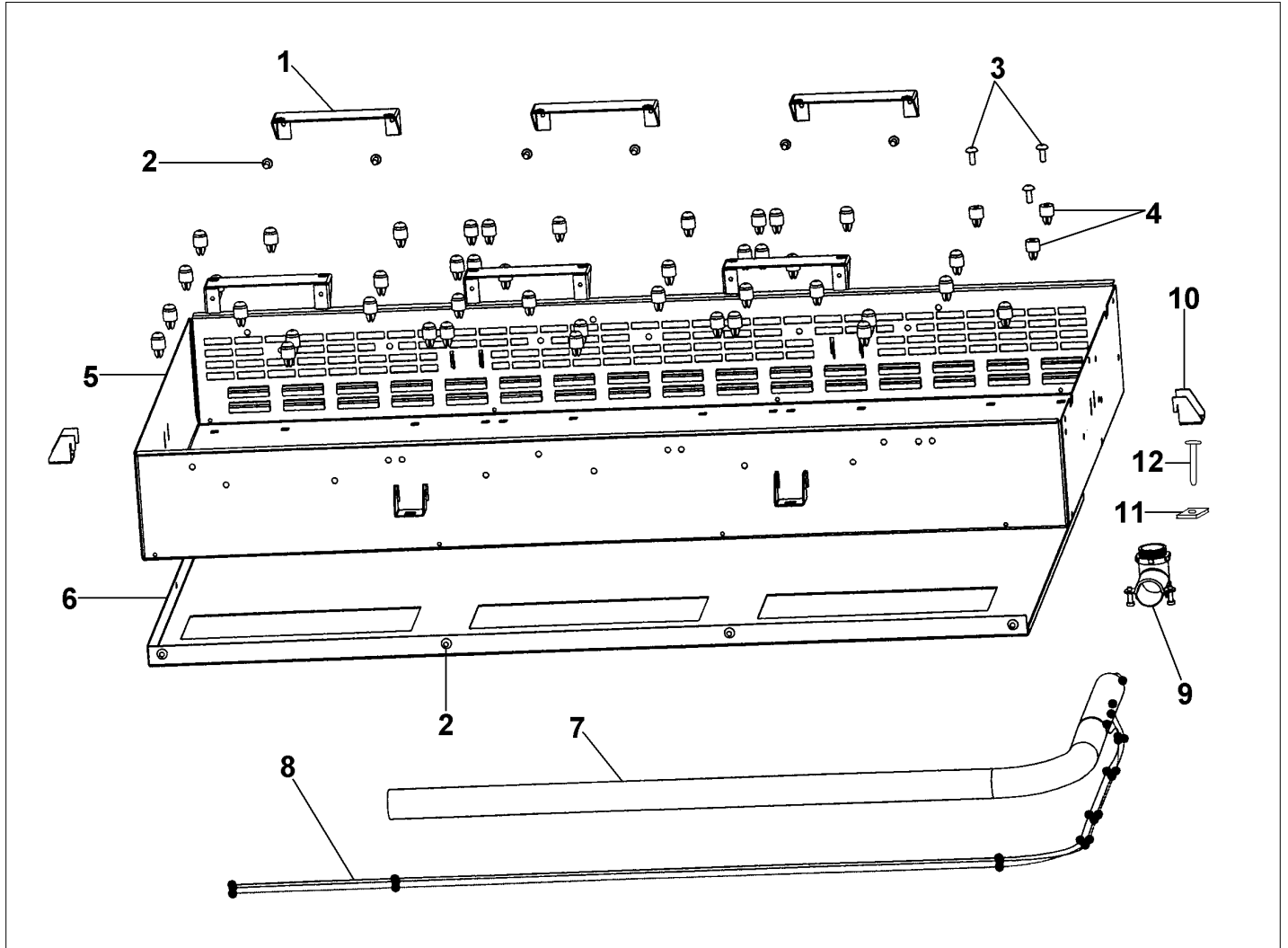


VICU165

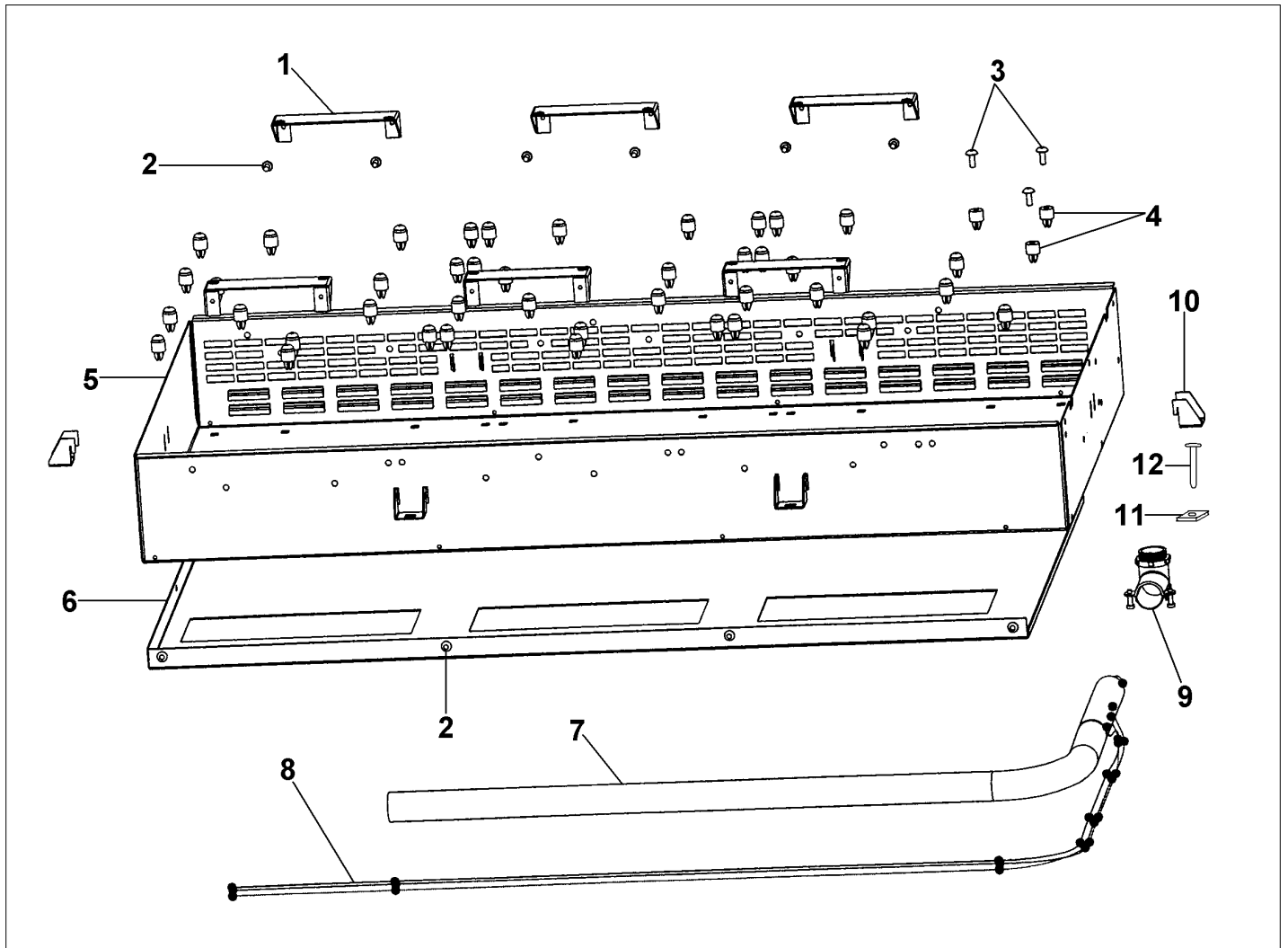
BURNER BOX ASSEMBLY	1
CONTROL ASSEMBLY	2
CONTROL BOARD ID	3
ELECTRONICS ASSEMBLY	4
Appendix A:Pages Index	A
Appendix B:Parts Index	B

BURNER BOX ASSEMBLY





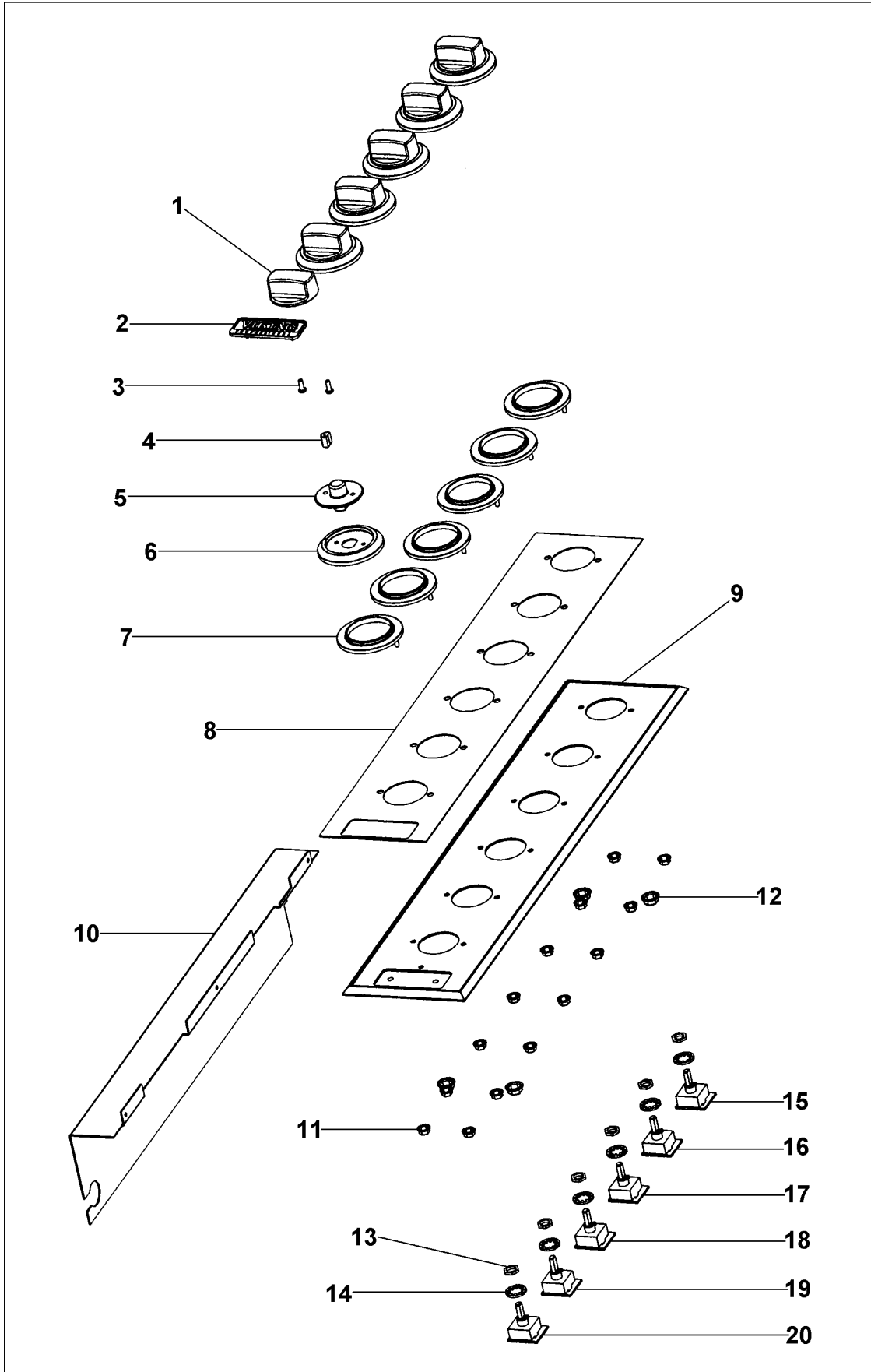
Item	Part No.	Name	Qty	Uom	NOTES
1	A2005077	COIL TRAY BRACKET	1	EA	NO LONGER AVAILABLE, Not available online / Call for pricing and availability
2	PD020004	10X3/8PH.HD.TYPE 25 REPL PD040125	1	EA	
3	PD010003	10-24 X 1/2 PH.TR.HD.SERD.M.S.	1	EA	
4	PD030033	GROMMET NUT-ROUND HD. #8 X .500DIA.	1	EA	
5	A30012693	VICU36 BOX	1	EA	NO LONGER AVAILABLE, Not available online / Call for pricing and availability
6	A20012694	VICU36 BOTTOM COVER	1	EA	NO LONGER AVAILABLE, Not available online / Call for pricing and availability
7	PB020259	3/4" CONDUIT	1	EA	NO LONGER AVAILABLE, Not available online / Call for pricing and availability
8	PE070562	RED WIRE (8 GA. SF-2 200 DEG.C 600V)	1	EA	NO LONGER AVAILABLE, Not available online / Call for pricing and availability
Not Shown	PE070563	*BK* WIRE (8 GA.SF-2 200DEG.C600V)	1	EA	NO LONGER AVAILABLE, Not available online / Call for pricing and availability
Not Shown	G4003016	GREEN - SUPPLY WIRE	1	EA	NO LONGER AVAILABLE, Not available online / Call for pricing and availability
9	PB040259	90 DEG. 3/4" CONDUIT FITTING	1	EA	NO LONGER AVAILABLE, Not available online / Call for pricing and availability
NI	PD040034	CONDUIT GROMMET (1/2")	1	EA	
10	A2005721	MOUNT BRACKET (DECU)	1	EA	
Not Shown	NOTE	Install Hardware - Qty. 6		EA	
11	PD030029	SELF RETAINING NUT (1/4-20)	1	EA	





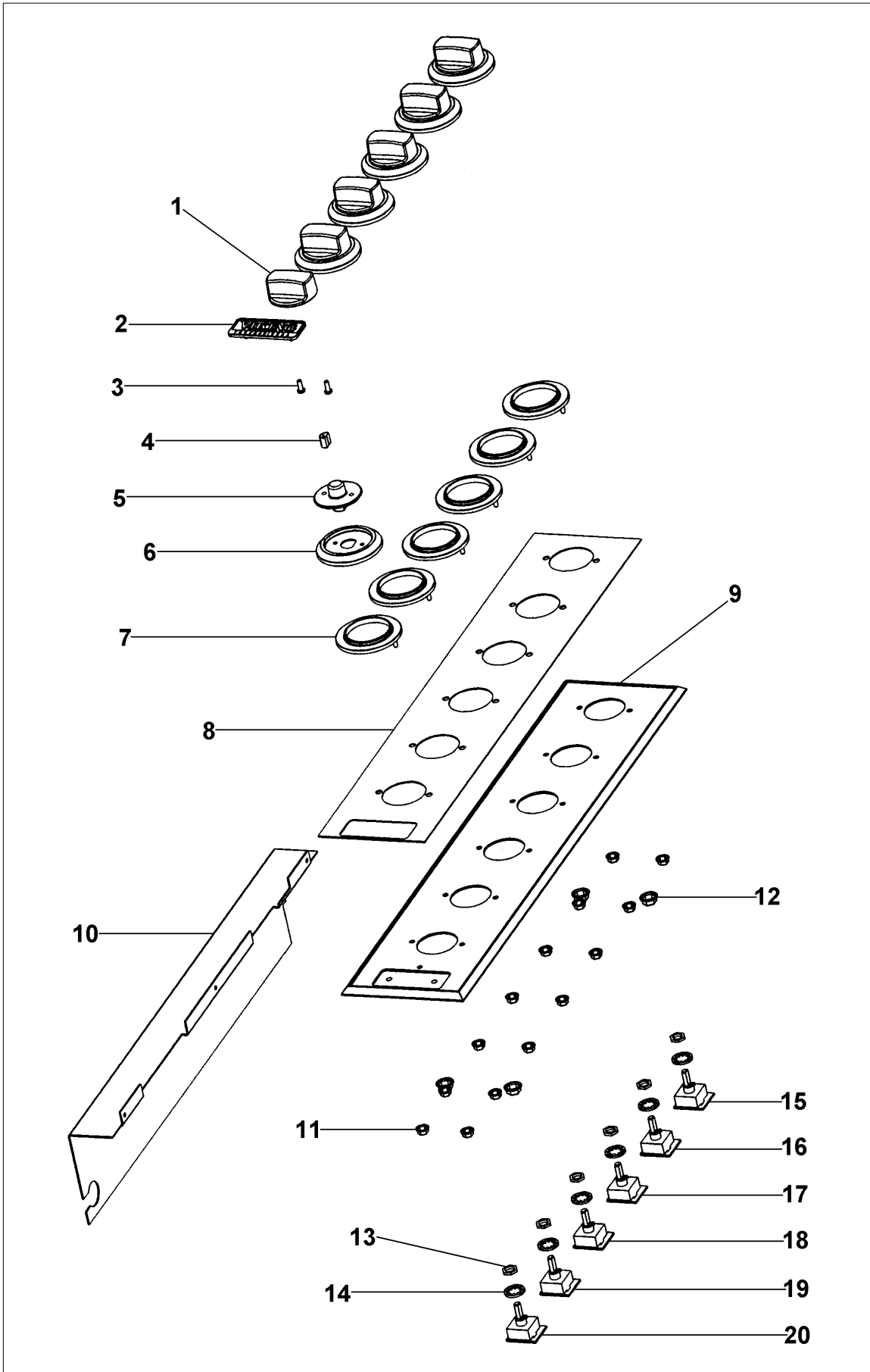
Item	Part No.	Name	Qty	Uom	NOTES
Not Shown	NOTE	Install Hardware - Qty. 6		EA	
12	PD020123	BOLT 1/4-20 X 3 HEX HD	1	EA	
Not Shown	NOTE	Install Hardware - Qty. 6		EA	

CONTROL ASSEMBLY





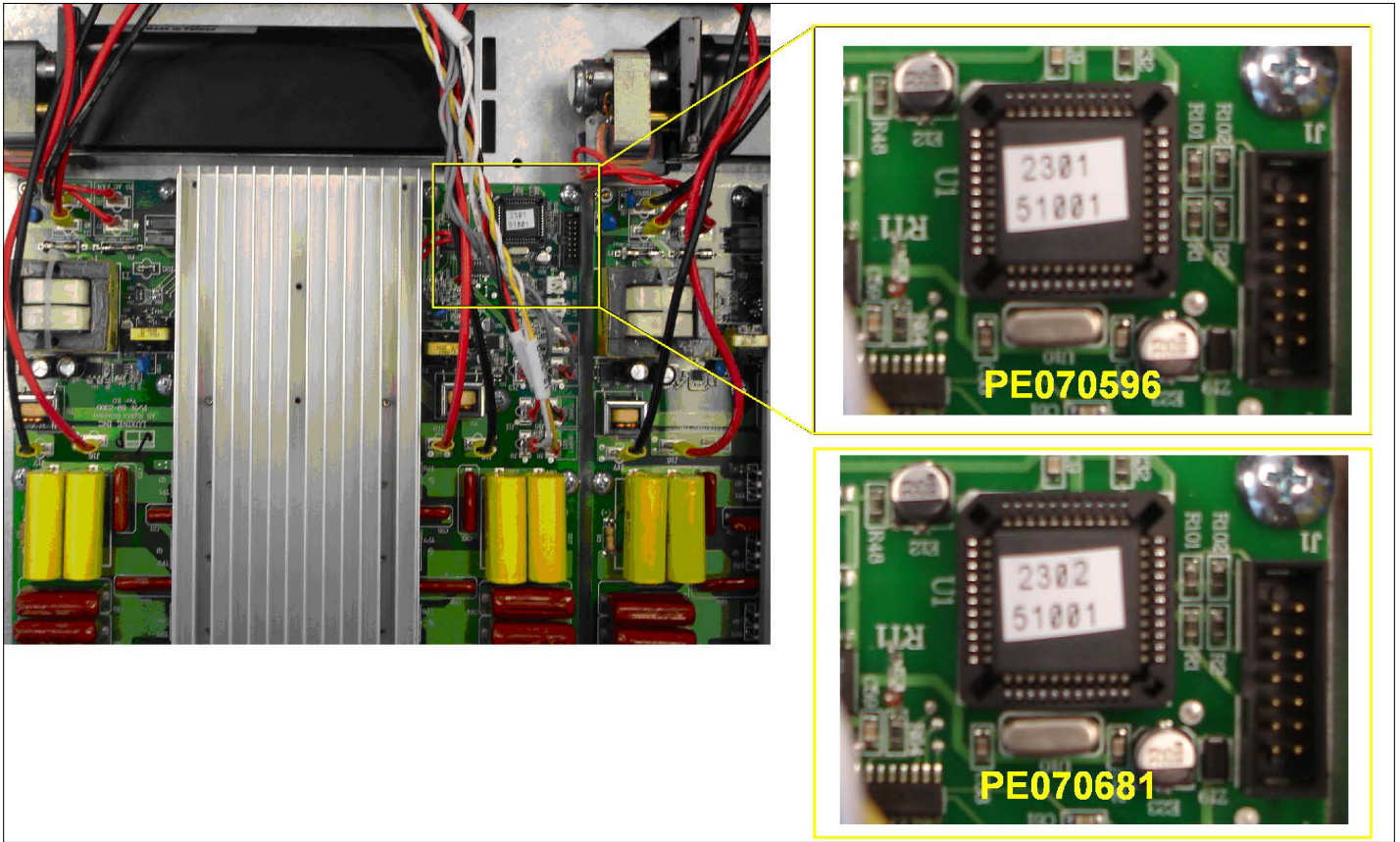
Item	Part No.	Name	Qty	Uom	NOTES
1	PA010174	COOKTOP KNOB BLACK	1	EA	
Not Shown	PA010175	COOKTOP KNOB (WHITE)	1	EA	NO LONGER AVAILABLE
Not Shown	036415-000	KNOB, BODY VGSU CR3	1	EA	
2	PE010165	VIKING CHROME PLATE LOGO	1	EA	
Not Shown	PE010166	VIKING LOGO BRASS	1	EA	NO LONGER AVAILABLE
Not Shown	PE010176	2.5" WHITE CHROME LOGO	1	EA	Not available online / Call for pricing and availability
Not Shown	PE010177	2.5" WHITE BRASS LOGO	1	EA	
3	PD020076	6-32 X 3/8" PHILL PAN MS	1	EA	
4	PC010007	KNOB SPRING (GOLD CORE KNOBS)	1	EA	
5	PA010180	VCCU KNOB MOUNT CORE	1	EA	
6	PB010263	UPPER BEZEL	1	EA	
Not Shown	PB010263PVD	UPPER BEZEL BRASS (BLACK)	1	EA	
7	PB010262	LOWER BEZEL	1	EA	
8	PE040258	VICU 36" CONTROL PANEL INLAY	1	EA	
Not Shown	PE040267	VICU 36" CONTROL PANEL INLAY WHITE GRAPHICS	1	EA	NO LONGER AVAILABLE
9	PE040251	36" ELECTRIC CONTROL PANEL	1	EA	
Not Shown	PE040251PVD	36" ELECTRIC CONTROL PANEL *PVD*	1	EA	NO LONGER AVAILABLE, Not available online / Call for pricing and availability
10	B20012989	BOARD SHIELD	1	EA	NO LONGER AVAILABLE, Not available online / Call for pricing and availability
11	PD030006	CAPPED WASHER PAL NUT	1	EA	
12	PD030137	CAPPED WASHER PAL NUT	1	EA	Not available online / Call for pricing and availability
13	PD030114	INDUCTION CONTROL NUT	1	EA	



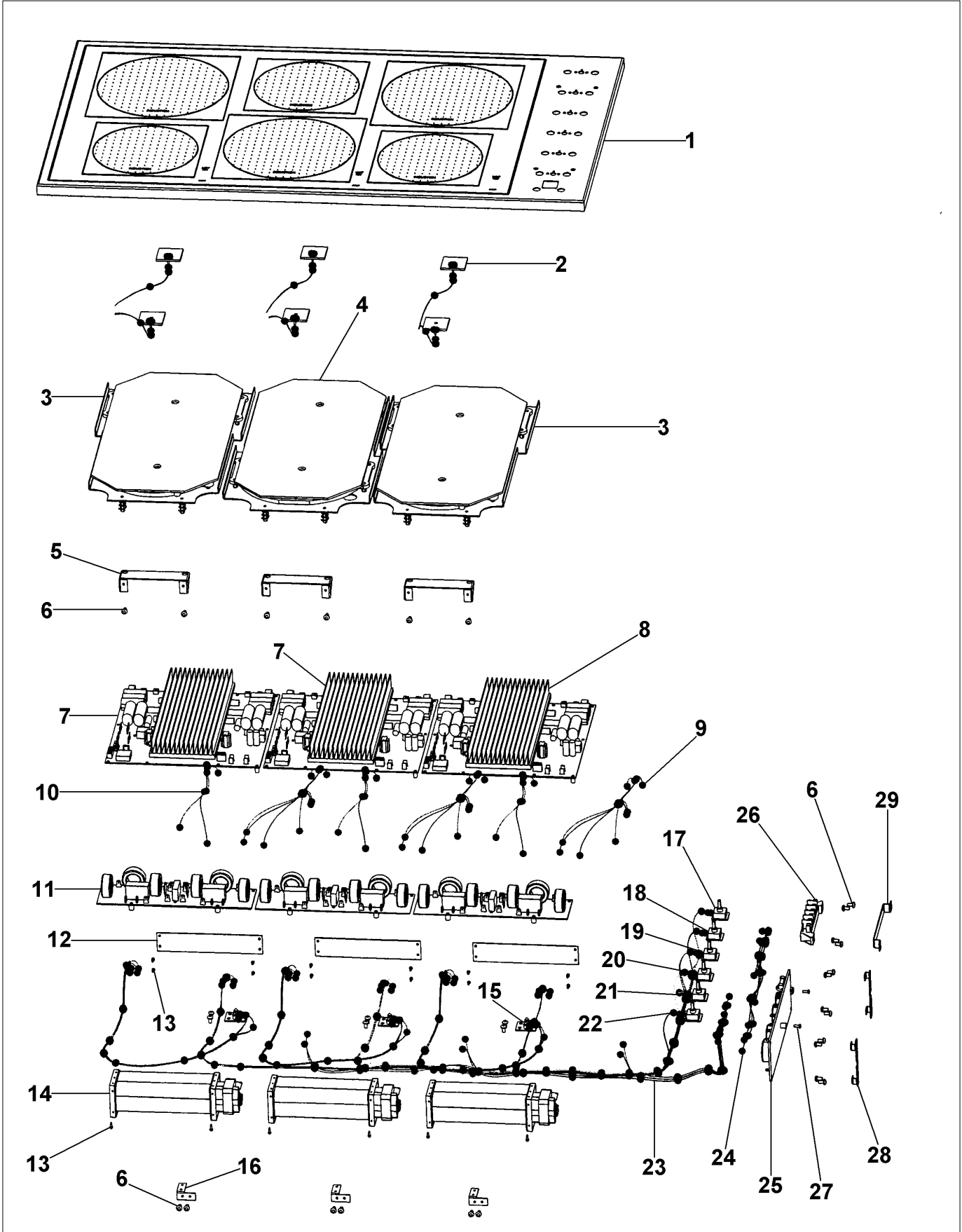


Item	Part No.	Name	Qty	Uom	NOTES
14	PD040117	10 MM WASHER	1	EA	
15	PE070687	POT ASSY-BLUE 59" (12-4506)	1	EA	
Not Shown	NOTE	(INC. HARNESS)		EA	
16	PE070686	POT ASSY-GRAY 61" (12-4507)	1	EA	
Not Shown	NOTE	(INC. HARNESS)		EA	
17	PE070685	POT ASSY - RED 46" (12-4505)	1	EA	
Not Shown	NOTE	(INC. HARNESS)		EA	
18	PE070767	POT ASSEMBLY-YELLOW 50" (12-4502)	1	EA	
Not Shown	NOTE	(INC. HARNESS)		EA	
19	PE070683	POT ASSY- WHITE 33" (12-4500)	1	EA	
Not Shown	NOTE	(INC. HARNESS)		EA	
20	PE070682	POT ASSY - BLACK 27" (12-4504)	1	EA	
Not Shown	NOTE	(INC. HARNESS)		EA	

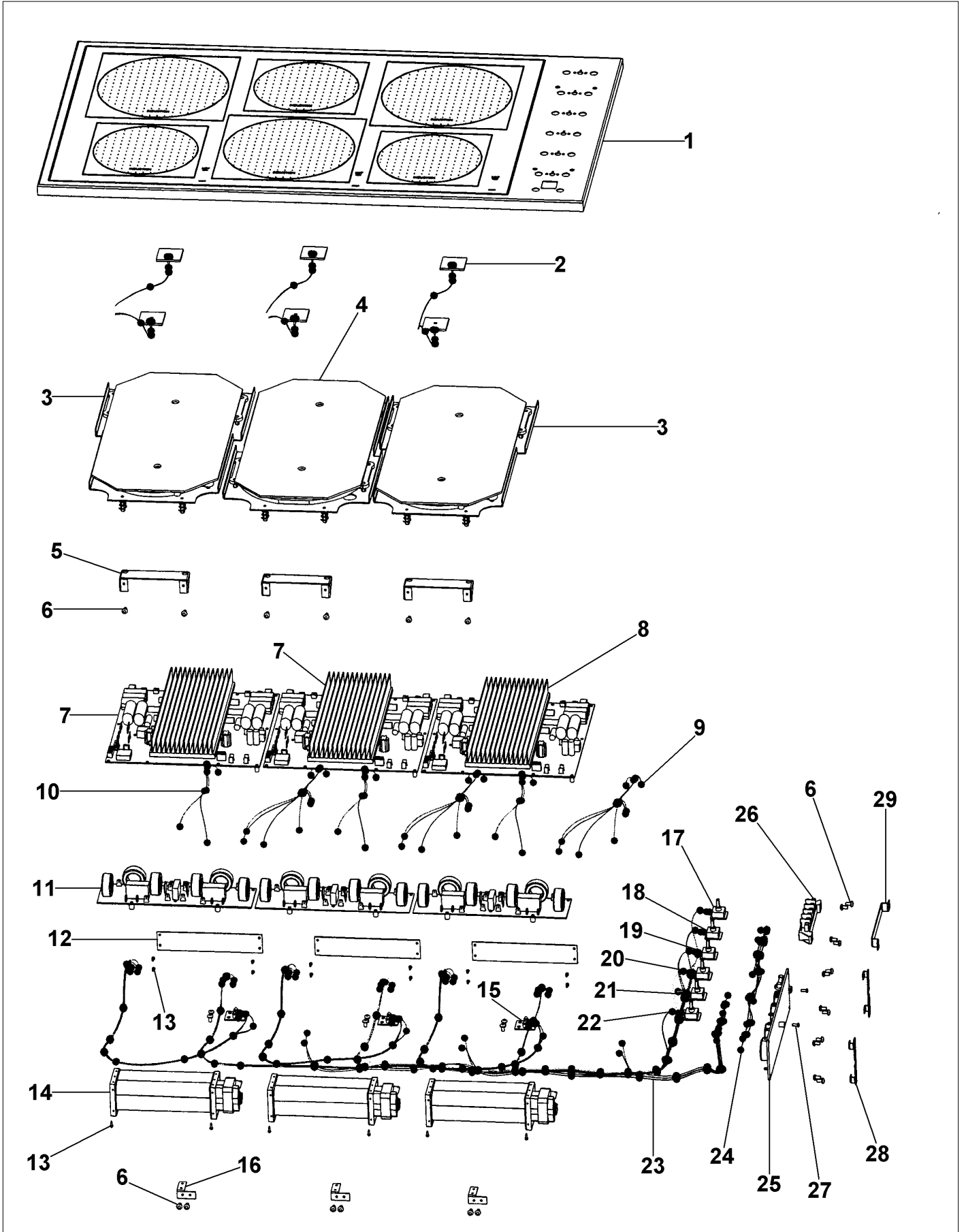
CONTROL BOARD ID



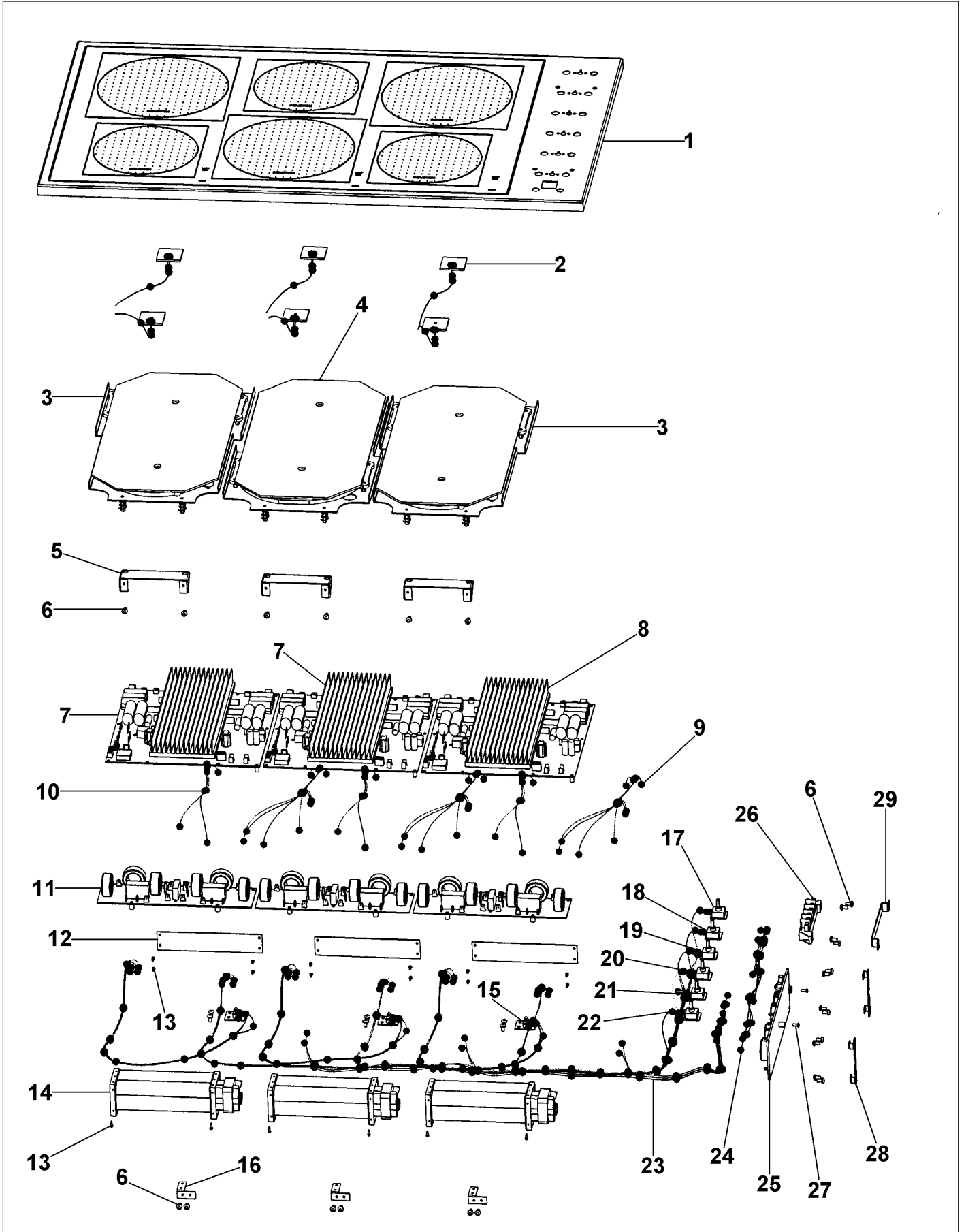
ELECTRONICS ASSEMBLY



Item	Part No.	Name	Qty	Uom	NOTES
1	G50012151	36" VICU TOP ASSY	1	EA	
Not Shown	G50012938	36" VICU TOP ASSY WH	1	EA	NO LONGER AVAILABLE
2	PE070761	INDUCTION THERMAL LIMITER	1	EA	
3	PE070688	ALL INDUCTION COIL TRAY ASSEMBLY	1	EA	
Not Shown	NOTE	(INC. HARNESS)		EA	
4	PE070689	ALL INDUCTION COIL TRAY ASSEMBLY	1	EA	
Not Shown	NOTE	(INC. HARNESS)		EA	
5	A2005077	COIL TRAY BRACKET	1	EA	NO LONGER AVAILABLE, Not available online / Call for pricing and availability
6	PD020004	10X3/8PH.HD.TYPE 25 REPL PD040125	1	EA	
7	PE070681	LEFT & MIDDLE SECTION POWER BOARD	1	EA	
8	PE070596	ALL INDUCTION POWER BOARD	1	EA	
9	PE070692	EMI TO POWER HARNESS 1	1	EA	
Not Shown	NOTE	(RED WIRE = 12" BLACK WIRE - 13")		EA	
10	PE070693	EMI TO POWER HARNESS 2	1	EA	NO LONGER AVAILABLE
Not Shown	NOTE	(RED WIRE = 9" BLACK WIRE - 10")		EA	
11	PE070597	ALL INDUCTION EMI BOARD	1	EA	
12	A10012995	FAN SHIELD	1	EA	NO LONGER AVAILABLE, Not available online / Call for pricing and availability
13	PD020013	TYPE "AB" #6 X 3/8 PH PAN HD. SMS	1	EA	
14	PE070635	VICU COOLING FAN	1	EA	
Not Shown	NOTE	(INC. HARNESS)		EA	
15	PE070519	INDUCTION LED ASSEMBLY	1	EA	
Not Shown	NOTE	(INC. HARNESS)		EA	



Item	Part No.	Name	Qty	Uom	NOTES
16	A20010645	INDUCTION LED BRACKET	1	EA	NO LONGER AVAILABLE
17	PE070687	POT ASSY-BLUE 59" (12-4506)	1	EA	
Not Shown	NOTE	(INC. HARNESS)		EA	
18	PE070686	POT ASSY-GRAY 61" (12-4507)	1	EA	
Not Shown	NOTE	(INC. HARNESS)		EA	
19	PE070685	POT ASSY - RED 46" (12-4505)	1	EA	
Not Shown	NOTE	(INC. HARNESS)		EA	
20	PE070767	POT ASSEMBLY-YELLOW 50" (12-4502)	1	EA	
Not Shown	NOTE	(INC. HARNESS)		EA	
21	PE070683	POT ASSY- WHITE 33" (12-4500)	1	EA	
Not Shown	NOTE	(INC. HARNESS)		EA	
22	PE070682	POT ASSY - BLACK 27" (12-4504)	1	EA	
Not Shown	NOTE	(INC. HARNESS)		EA	
23	PE070691	CONDITIONER TO EMI HARNESS	1	EA	
24	PE070690	BLOCK TO CONDITIONER HARNESS	1	EA	NO LONGER AVAILABLE, Not available online / Call for pricing and availability
25	PE070627	VICU EMI FILTER	1	EA	
26	054135-000	BLOCK, TERMINAL, 6-POLE (Heyco # 9454)	1	EA	
27	PD020183	6 X 32 GREEN GROUNDING SCREW	1	EA	NO LONGER AVAILABLE, Not available online / Call for pricing and availability
28	A20012988	BOARD MOUNTING BRACKET	1	EA	NO LONGER AVAILABLE, Not available online / Call for pricing and availability





Item	Part No.	Name	Qty	Uom	NOTES
29	A2005084	INDUCTION TERMINAL BOARD BRACKET	1	EA	NO LONGER AVAILABLE, Not available online / Call for pricing and availability
NI	PS000001	20 AMP FAST ACTING CERAMIC FUSE	1	EA	



Appendix A:Pages Index

BURNER BOX ASSEMBLY 1
CONTROL ASSEMBLY 2
CONTROL BOARD ID3
ELECTRONICS ASSEMBLY 4



Appendix B:Parts Index

036415-000	2	PE040251	2
054135-000	4	PE040251PVD	2
A10012995	4	PE040258	2
A20010645	4	PE040267	2
A20012694	1	PE070519	4
A20012988	4	PE070562	1
A2005077	1, 4	PE070563	1
A2005084	4	PE070596	4
A2005721	1	PE070597	4
A30012693	1	PE070627	4
B20012989	2	PE070635	4
G4003016	1	PE070681	4
G50012151	4	PE070682	2, 4
G50012938	4	PE070683	2, 4
PA010174	2	PE070685	2, 4
PA010175	2	PE070686	2, 4
PA010180	2	PE070687	2, 4
PB010262	2	PE070688	4
PB010263	2	PE070689	4
PB010263PVD	2	PE070690	4
PB020259	1	PE070691	4
PB040259	1	PE070692	4
PC010007	2	PE070693	4
PD010003	1	PE070761	4
PD020004	1, 4	PE070767	2, 4
PD020013	4	PS000001	4
PD020076	2		
PD020123	1		
PD020183	4		
PD030006	2		
PD030029	1		
PD030033	1		
PD030114	2		
PD030137	2		
PD040034	1		
PD040117	2		
PE010165	2		
PE010166	2		
PE010176	2		
PE010177	2		