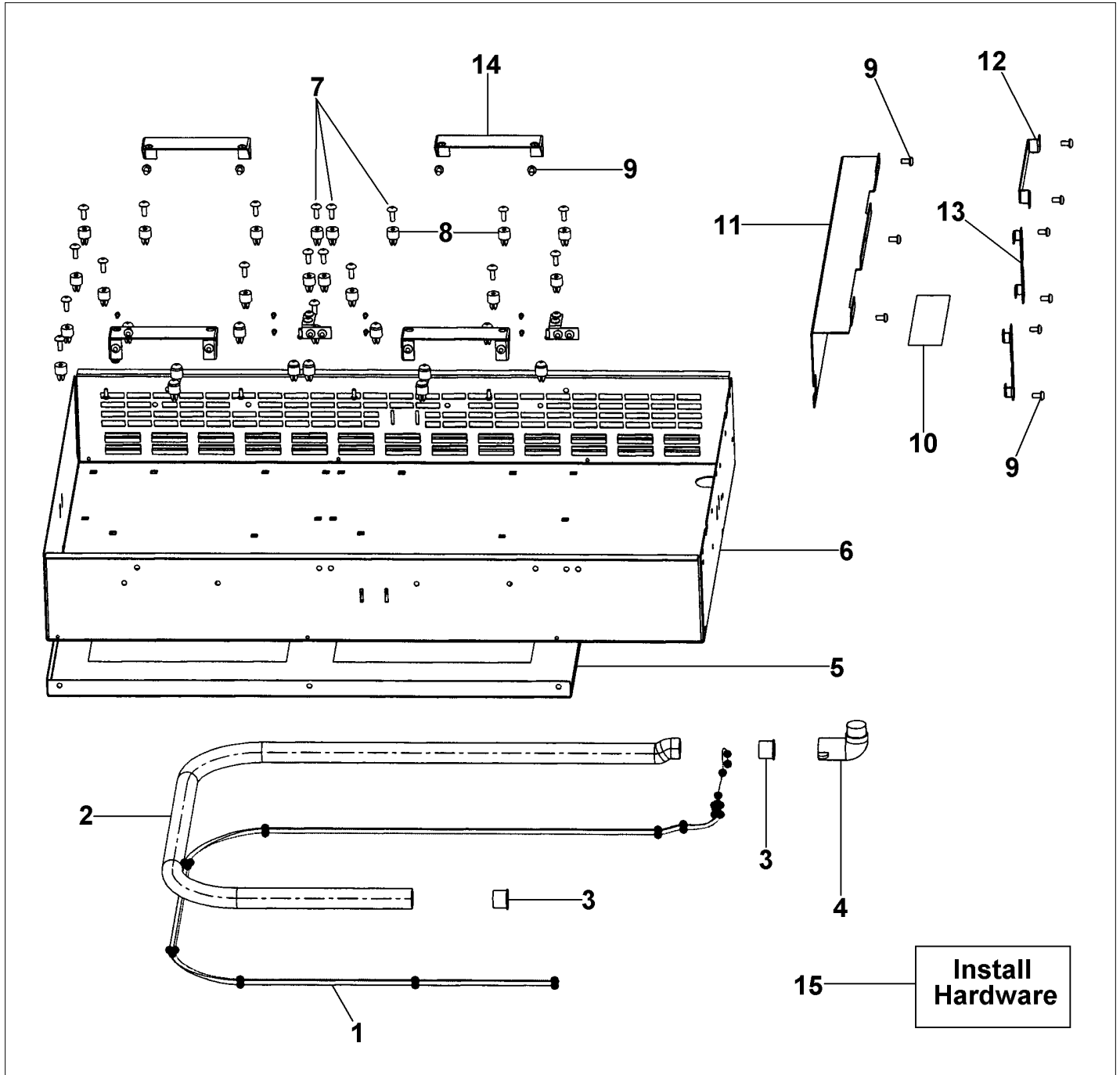


**VICU105**

BURNER BOX ASSEMBLY .....	1
CONTROL ASSEMBLY .....	2
CONTROL BOARD ID .....	3
ELECTRONIC COMPONENTS .....	4
Appendix A:Pages Index .....	A
Appendix B:Parts Index .....	B

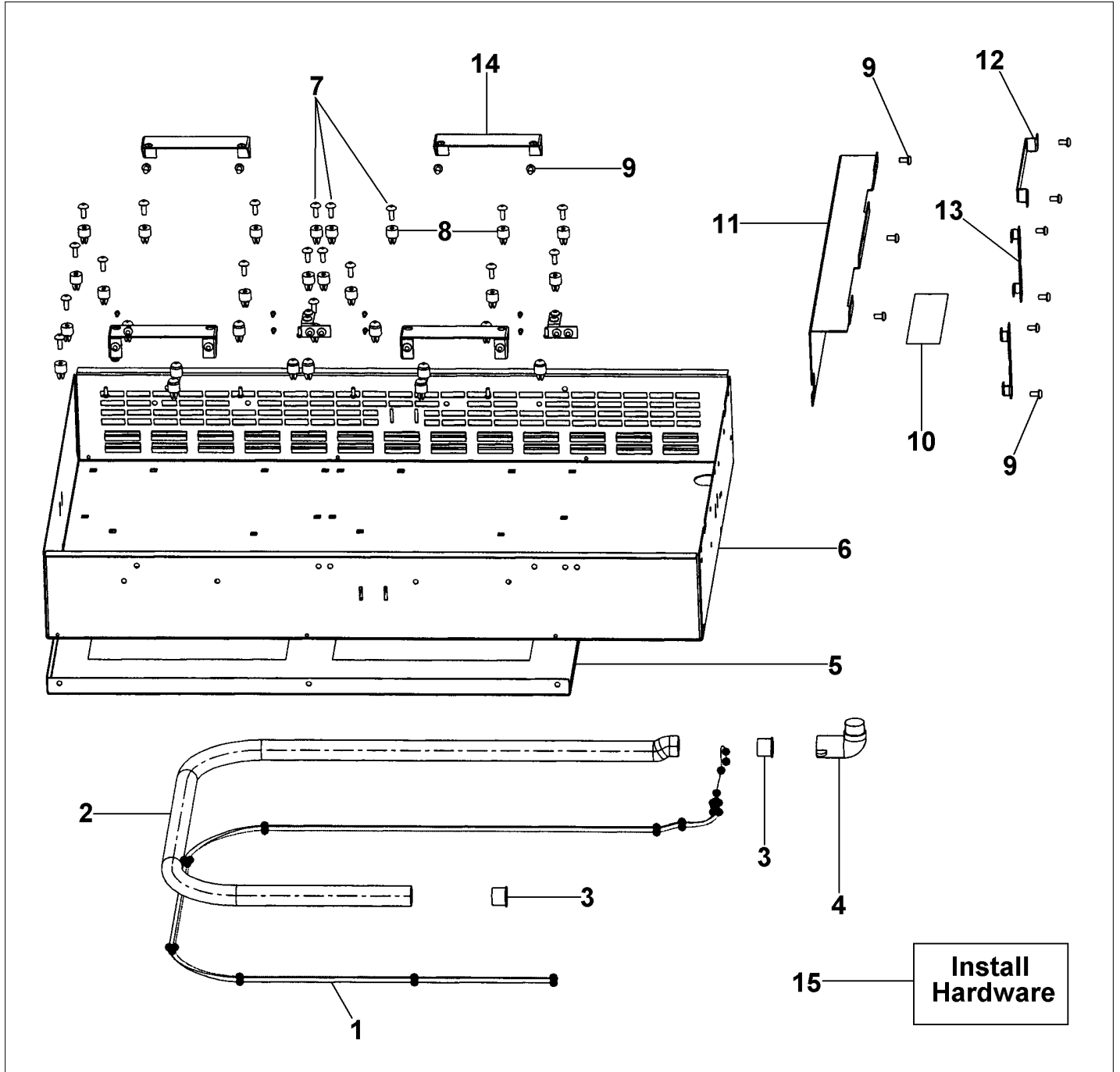


BURNER BOX ASSEMBLY





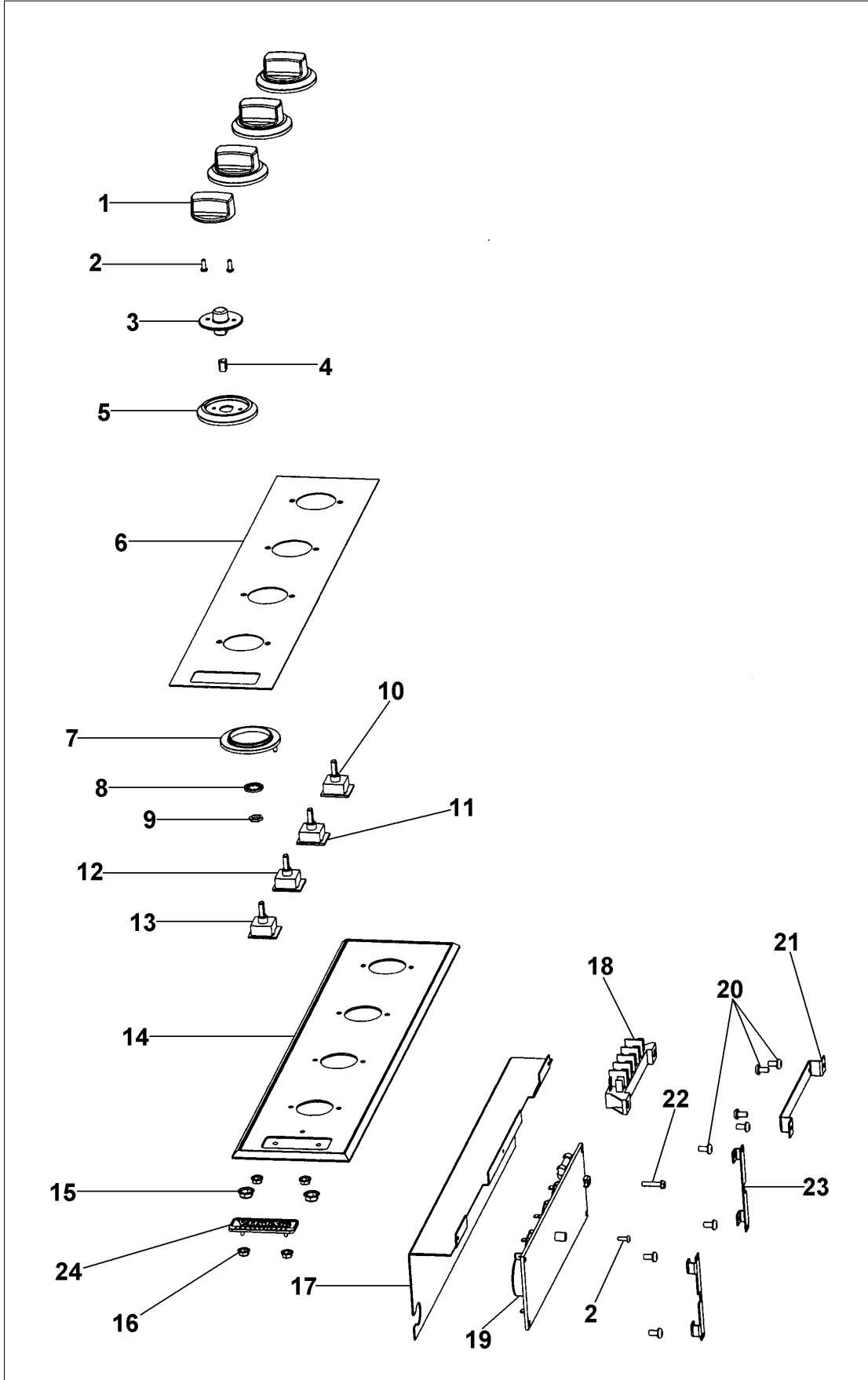
Item	Part No.	Name	Qty	Uom	NOTES
1	PE070562	RED WIRE (8 GA. SF-2 200 DEG.C 600V)	1	EA	NO LONGER AVAILABLE, Not available online / Call for pricing and availability
1	PE070563	*BK* WIRE (8 GA.SF-2 200DEG.C600V)	1	EA	NO LONGER AVAILABLE, Not available online / Call for pricing and availability
1	G4003016	GREEN - SUPPLY WIRE	1	EA	NO LONGER AVAILABLE, Not available online / Call for pricing and availability
2	PB020071	CONDUIT - FLEXIBLE (48")	1	EA	
3	PD040034	CONDUIT GROMMET (1/2")	1	EA	
4	PB040070	CONDUIT FITTING (90 DEG)	1	EA	
5	A20012697	VICU30 BOTTOM COVER	1	EA	NO LONGER AVAILABLE, Not available online / Call for pricing and availability
6	A30012696	VICU30 BOX	1	EA	NO LONGER AVAILABLE, Not available online / Call for pricing and availability
7	PD010003	10-24 X 1/2 PH.TR.HD.SERD.M.S.	1	EA	
8	PD030033	GROMMET NUT-ROUND HD. #8 X .500DIA.	1	EA	
9	PD020004	10X3/8PH.HD.TYPE 25 REPL PD040125	1	EA	
10	PE020047	RATING LABEL	1	EA	
11	B20012989	BOARD SHIELD	1	EA	NO LONGER AVAILABLE, Not available online / Call for pricing and availability
12	A2005084	INDUCTION TERMINAL BOARD BRACKET	1	EA	NO LONGER AVAILABLE, Not available online / Call for pricing and availability
13	A20012988	BOARD MOUNTING BRACKET	1	EA	NO LONGER AVAILABLE, Not available online / Call for pricing and availability





Item	Part No.	Name	Qty	Uom	NOTES
14	A2005077	COIL TRAY BRACKET	1	EA	NO LONGER AVAILABLE, Not available online / Call for pricing and availability
15	G50010684	30 MOUNTING HARDWARE	1	EA	

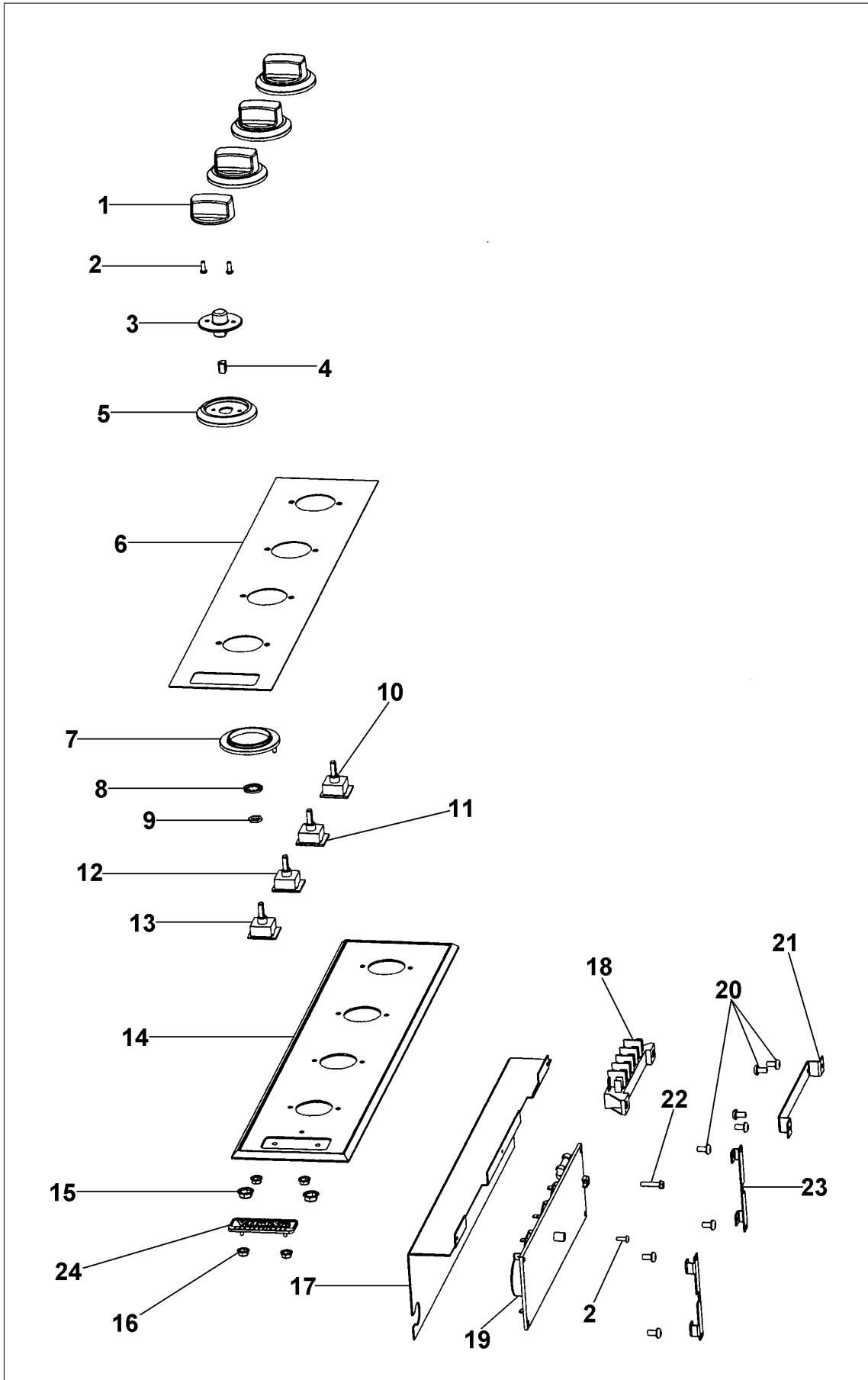
CONTROL ASSEMBLY







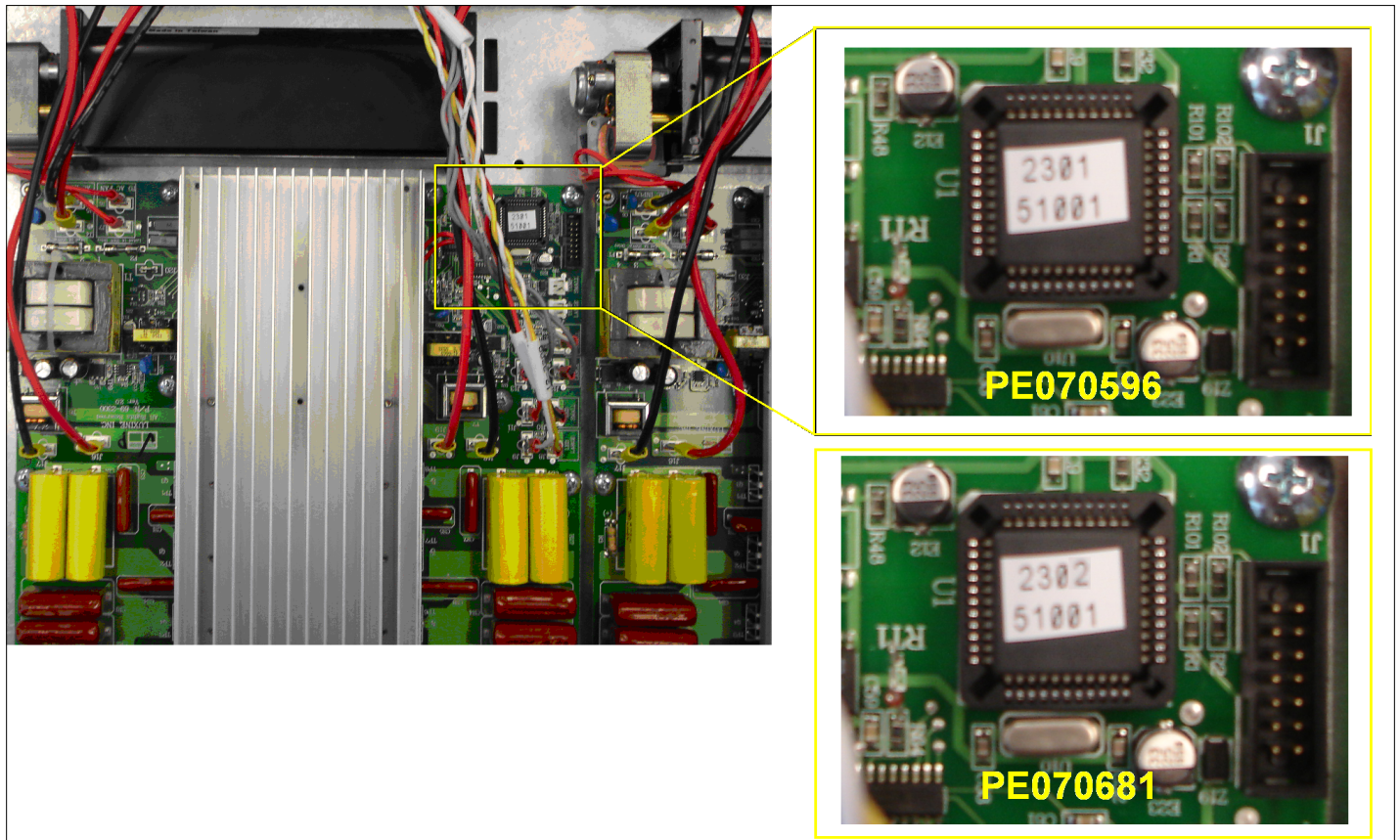
Item	Part No.	Name	Qty	Uom	NOTES
1	PA010174	COOKTOP KNOB BLACK	1	EA	
1	PA010175	COOKTOP KNOB (WHITE)	1	EA	NO LONGER AVAILABLE
1	036415-000	KNOB, BODY VGSU CR3	1	EA	
2	PD020076	6-32 X 3/8" PHILL PAN MS	1	EA	
3	PA010180	VCCU KNOB MOUNT CORE	1	EA	
4	PC010007	KNOB SPRING (GOLD CORE KNOBS)	1	EA	
5	PB010263	UPPER BEZEL	1	EA	
5	PB010263PVD	UPPER BEZEL BRASS (BLACK)	1	EA	
6	PE040257	VICU 30" CONTROL PANEL INLAY	1	EA	NO LONGER AVAILABLE
6	PE040270	VICU 30" CONTROL PANEL INLAY WHITE GRAPHICS	1	EA	NO LONGER AVAILABLE, Not available online / Call for pricing and availability
7	PB010262	LOWER BEZEL	1	EA	
8	PD040117	10 MM WASHER	1	EA	
9	PD030114	INDUCTION CONTROL NUT	1	EA	
10	PE070768	POT ASSEMBLY-BLUE 54" (12-4503)	1	EA	
Not Shown	NOTE	(INC. HARNESS)		EA	
11	PE070767	POT ASSEMBLY-YELLOW 50" (12-4502)	1	EA	
Not Shown	NOTE	(INC. HARNESS)		EA	
12	PE070766	POT ASSEMBLY-GRAY 37" (12-4501)	1	EA	
Not Shown	NOTE	(INC. HARNESS)		EA	
13	PE070683	POT ASSY- WHITE 33" (12-4500)	1	EA	
Not Shown	NOTE	(INC. HARNESS)		EA	
14	PE040253	VECU 30" CONTROL PANEL	1	EA	Not available online / Call for pricing and availability
14	PE040253PVD	VECU 30" CONTROL PANEL *PVD*	1	EA	NO LONGER AVAILABLE



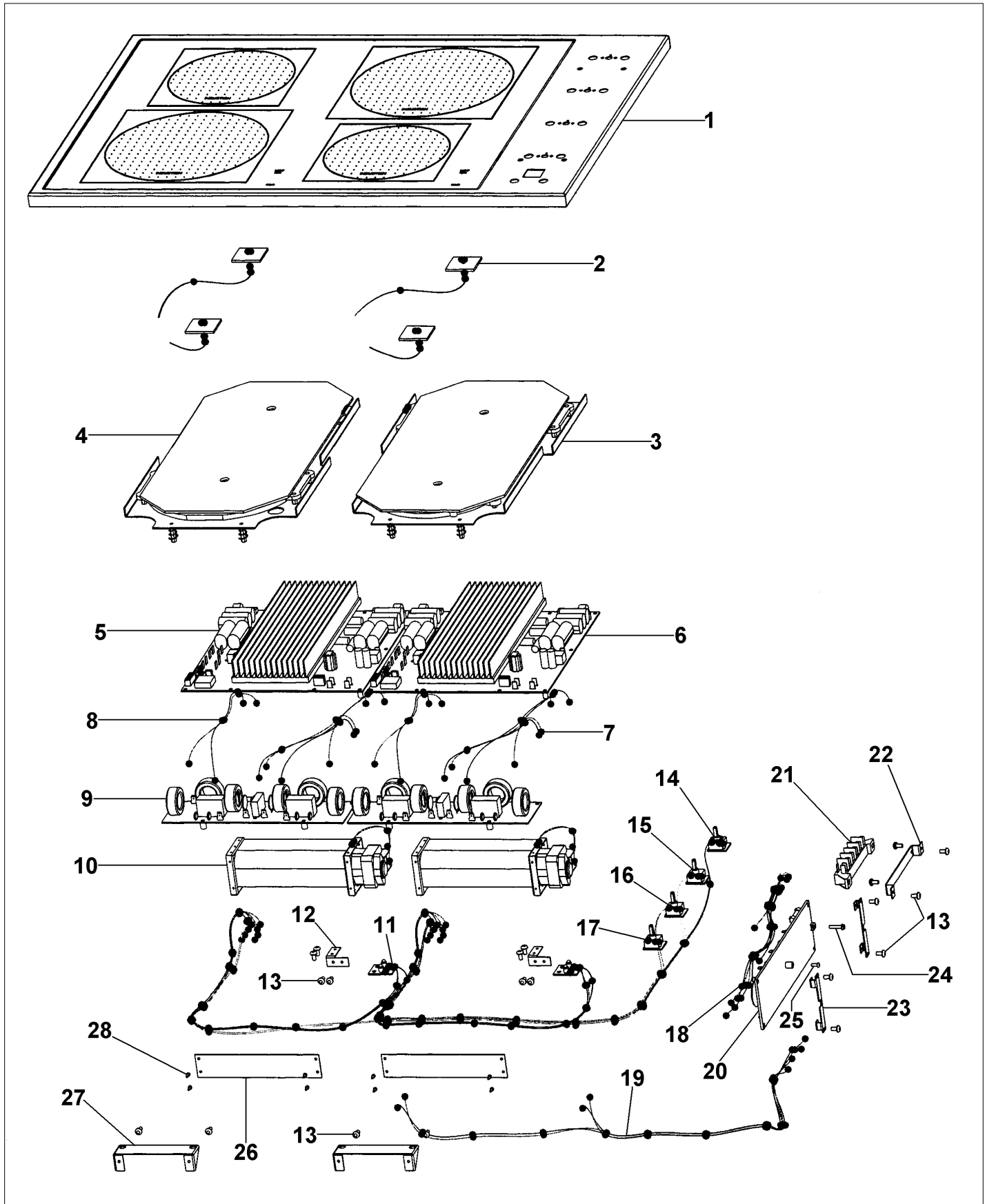


Item	Part No.	Name	Qty	Uom	NOTES
15	PD030137	CAPPED WASHER PAL NUT	1	EA	Not available online / Call for pricing and availability
16	PD030006	CAPPED WASHER PAL NUT	1	EA	
17	B20012989	BOARD SHIELD	1	EA	NO LONGER AVAILABLE, Not available online / Call for pricing and availability
18	054135-000	BLOCK, TERMINAL, 6-POLE (Heyco # 9454)	1	EA	
19	PE070627	VICU EMI FILTER	1	EA	
20	PD020004	10X3/8PH.HD.TYPE 25 REPL PD040125	1	EA	
21	A2005084	INDUCTION TERMINAL BOARD BRACKET	1	EA	NO LONGER AVAILABLE, Not available online / Call for pricing and availability
22	PD020183	6 X 32 GREEN GROUNDING SCREW	1	EA	NO LONGER AVAILABLE, Not available online / Call for pricing and availability
23	A20012988	BOARD MOUNTING BRACKET	1	EA	NO LONGER AVAILABLE, Not available online / Call for pricing and availability
24	PE010165	VIKING CHROME PLATE LOGO	1	EA	
24	PE010166	VIKING LOGO BRASS	1	EA	NO LONGER AVAILABLE
24	PE010176	2.5" WHITE CHROME LOGO	1	EA	Not available online / Call for pricing and availability
24	PE010177	2.5" WHITE BRASS LOGO	1	EA	

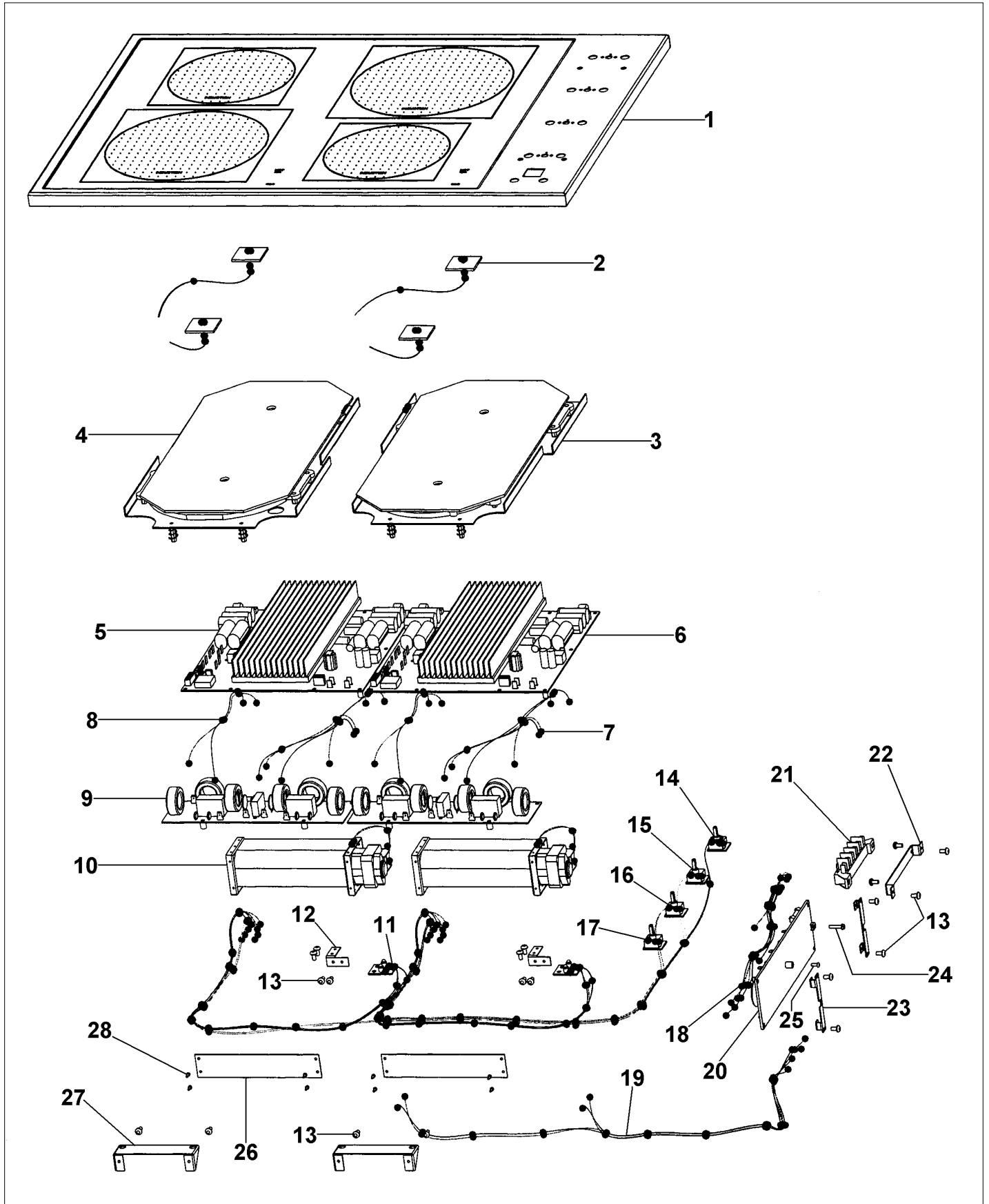
CONTROL BOARD ID



ELECTRONIC COMPONENTS



Item	Part No.	Name	Qty	Uom	NOTES
1	G50012150	30" VICU TOP ASSY	1	EA	
Not Shown	G50012937	30" VICU TOP ASSY (WHITE)	1	EA	NO LONGER AVAILABLE
2	PE070761	INDUCTION THERMAL LIMITER	1	EA	
3	PE070688	ALL INDUCTION COIL TRAY ASSEMBLY	1	EA	
4	PE070689	ALL INDUCTION COIL TRAY ASSEMBLY	1	EA	
5	PE070681	LEFT & MIDDLE SECTION POWER BOARD	1	EA	
6	PE070596	ALL INDUCTION POWER BOARD	1	EA	
7	PE070692	EMI TO POWER HARNESS 1	1	EA	
Not Shown	NOTE	(RED WIRE -12" / BLACK WIRE - 13")		EA	
8	PE070693	EMI TO POWER HARNESS 2	1	EA	NO LONGER AVAILABLE
Not Shown	NOTE	(RED WIRE -9" / BLACK WIRE - 10")		EA	
9	PE070597	ALL INDUCTION EMI BOARD	1	EA	
10	PE070635	VICU COOLING FAN	1	EA	
11	PE070519	INDUCTION LED ASSEMBLY	1	EA	
12	A20010645	INDUCTION LED BRACKET	1	EA	NO LONGER AVAILABLE
13	PD020004	10X3/8PH.HD.TYPE 25 REPL PD040125	1	EA	
14	PE070768	POT ASSEMBLY-BLUE 54" (12-4503)	1	EA	
15	PE070767	POT ASSEMBLY-YELLOW 50" (12-4502)	1	EA	
16	PE070766	POT ASSEMBLY-GRAY 37" (12-4501)	1	EA	
17	PE070683	POT ASSY- WHITE 33" (12-4500)	1	EA	
18	PE070690	BLOCK TO CONDITIONER HARNESS	1	EA	NO LONGER AVAILABLE, Not available online / Call for pricing and availability
19	PE070764	CONDITIONER BOARD TO EMI BOARD HARNESS (VICU30) 68-1701	1	EA	NO LONGER AVAILABLE, Not available online / Call for pricing and availability



Item	Part No.	Name	Qty	Uom	NOTES
20	PE070627	VICU EMI FILTER	1	EA	
21	054135-000	BLOCK, TERMINAL, 6-POLE (Heyco # 9454)	1	EA	
22	A2005084	INDUCTION TERMINAL BOARD BRACKET	1	EA	NO LONGER AVAILABLE, Not available online / Call for pricing and availability
23	A20012988	BOARD MOUNTING BRACKET	1	EA	NO LONGER AVAILABLE, Not available online / Call for pricing and availability
24	PD020183	6 X 32 GREEN GROUNDING SCREW	1	EA	NO LONGER AVAILABLE, Not available online / Call for pricing and availability
25	PD020076	6-32 X 3/8" PHILL PAN MS	1	EA	
26	A10012995	FAN SHIELD	1	EA	NO LONGER AVAILABLE, Not available online / Call for pricing and availability
27	A2005077	COIL TRAY BRACKET	1	EA	NO LONGER AVAILABLE, Not available online / Call for pricing and availability
28	PD020013	TYPE "AB" #6 X 3/8 PH PAN HD. SMS	1	EA	
NI	PS000001	20 AMP FAST ACTING CERAMIC FUSE	1	EA	





Appendix A:Pages Index

BURNER BOX ASSEMBLY ..... 1  
CONTROL ASSEMBLY ..... 2  
CONTROL BOARD ID .....3  
ELECTRONIC COMPONENTS ..... 4



Appendix B:Parts Index

036415-000	2	PE040253PVD	2
054135-000	2, 4	PE040257	2
A10012995	4	PE040270	2
A20010645	4	PE070519	4
A20012697	1	PE070562	1
A20012988	1, 2, 4	PE070563	1
A2005077	1, 4	PE070596	4
A2005084	1, 2, 4	PE070597	4
A30012696	1	PE070627	2, 4
B20012989	1, 2	PE070635	4
G4003016	1	PE070681	4
G50010684	1	PE070683	2, 4
G50012150	4	PE070688	4
G50012937	4	PE070689	4
PA010174	2	PE070690	4
PA010175	2	PE070692	4
PA010180	2	PE070693	4
PB010262	2	PE070761	4
PB010263	2	PE070764	4
PB010263PVD	2	PE070766	2, 4
PB020071	1	PE070767	2, 4
PB040070	1	PE070768	2, 4
PC010007	2	PS000001	4
PD010003	1		
PD020004	1, 2, 4		
PD020013	4		
PD020076	2, 4		
PD020183	2, 4		
PD030006	2		
PD030033	1		
PD030114	2		
PD030137	2		
PD040034	1		
PD040117	2		
PE010165	2		
PE010166	2		
PE010176	2		
PE010177	2		
PE020047	1		
PE040253	2		