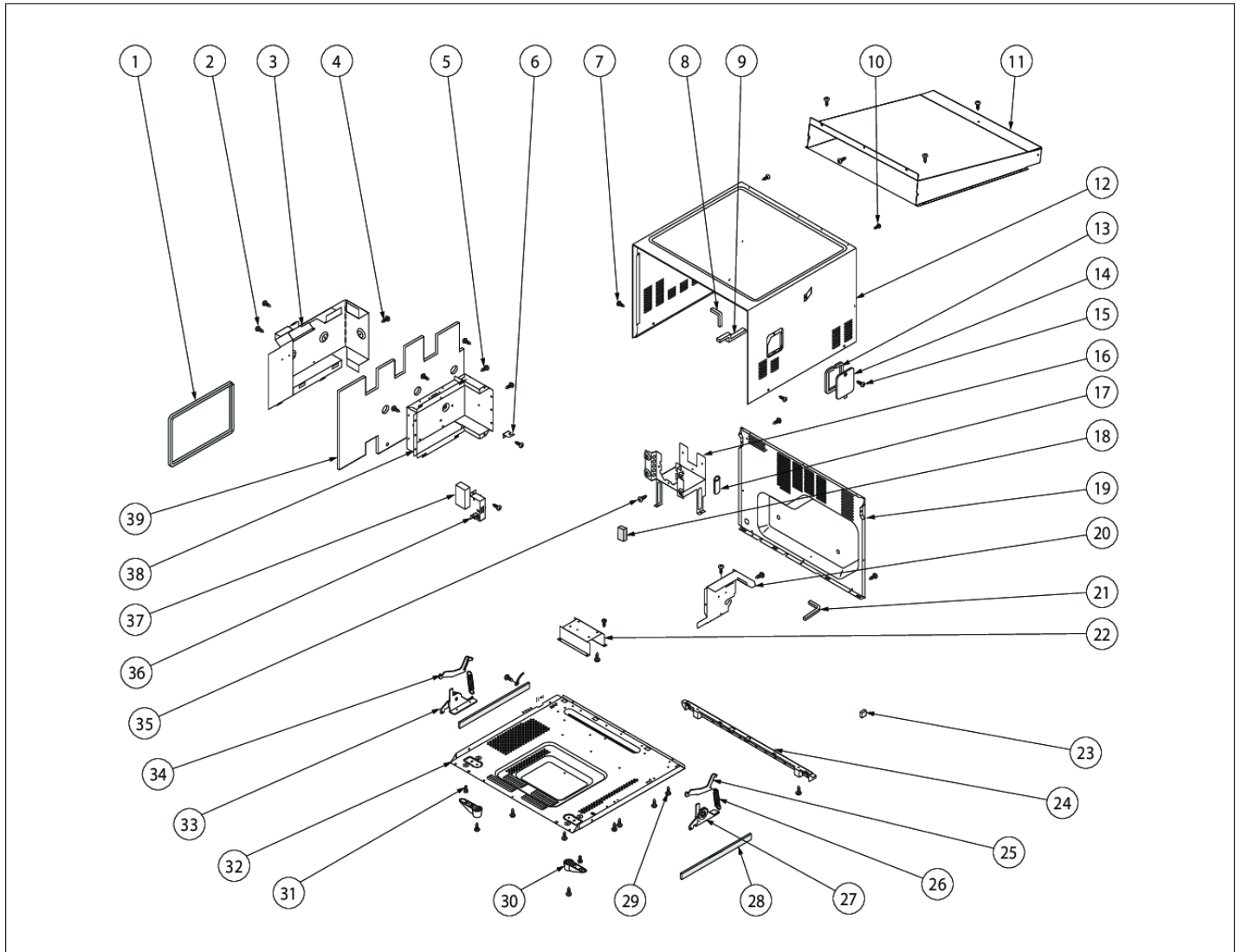


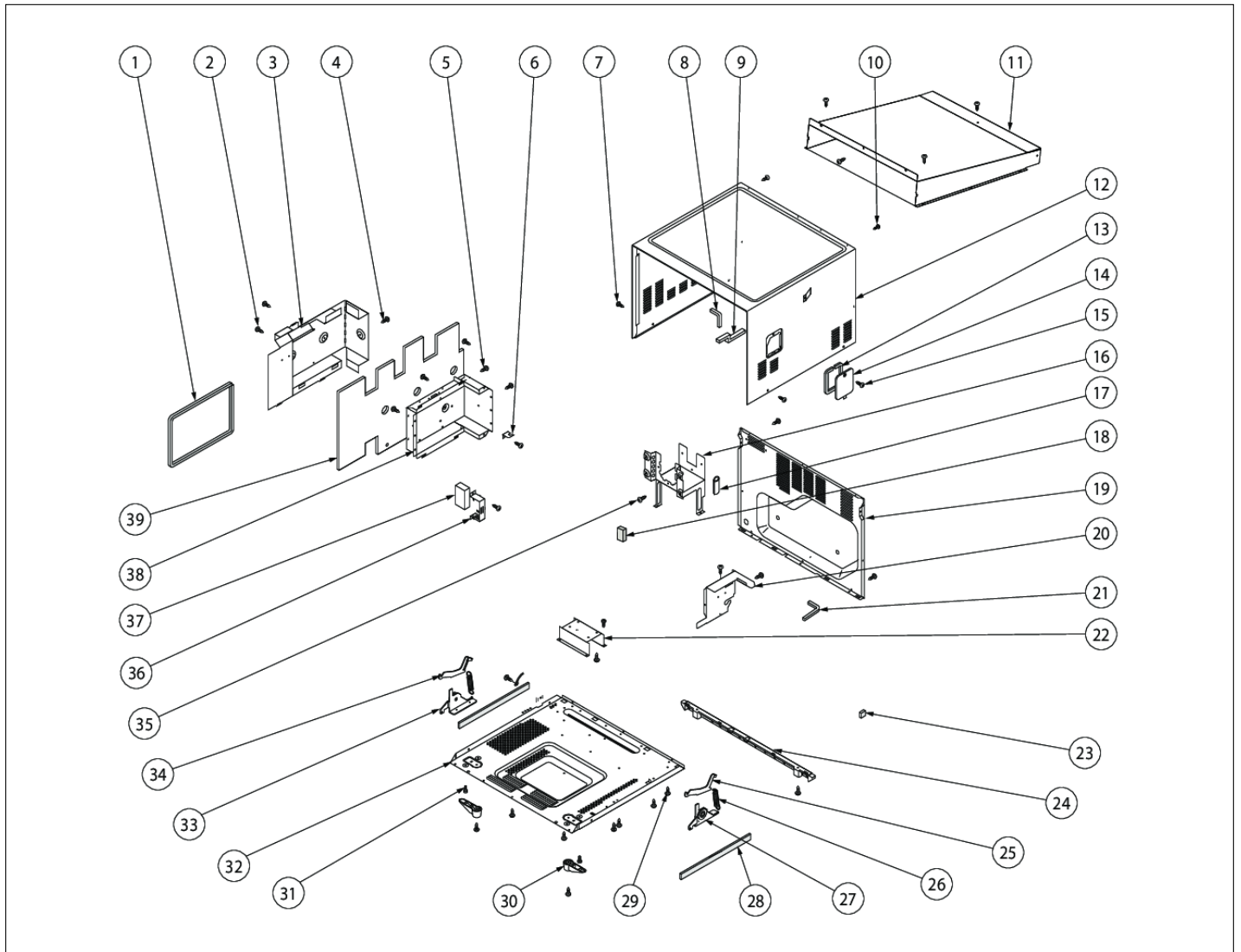
VHSO205

CABINET AREA	1
CONTROL PANEL AREA	2
DOOR ASSEMBLY	3
ELECTRIC COMPONENTS	4
MISC	5
OVEN CAVITY AREA	6
Appendix A:Pages Index	A
Appendix B:Parts Index	B

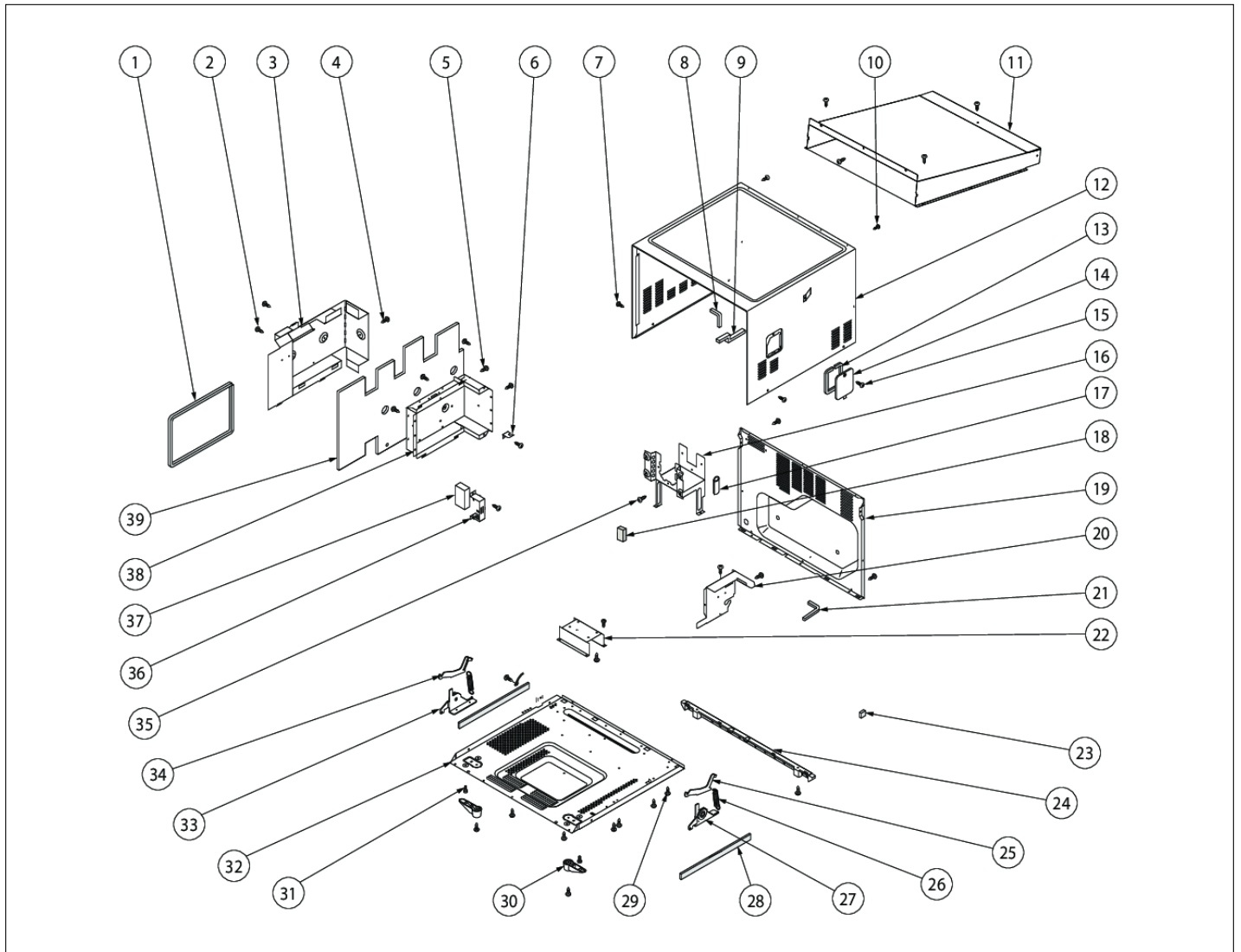
CABINET AREA



Item	Part No.	Name	Qty	Uom	NOTES
1	005094-000	CUSHION	1	EA	NO LONGER AVAILABLE, Not available online / Call for pricing and availability
2	PM120159	SCREW	1	EA	
3	005057-000	THERMAL COVER LEFT	1	EA	NO LONGER AVAILABLE, Not available online / Call for pricing and availability
4	022318-000	SCREW : 4 MM X 8 MM	11	EA	
5	PM120146	SCREW : 4MM X 12MM	25	EA	
6	004899-000	CONVECTION MOTOR MOUNTING ANGLE	1	EA	NO LONGER AVAILABLE, Not available online / Call for pricing and availability
7	011855-000	DECO SCREW	2	EA	
8	005132-000	CUSHION	2	EA	NO LONGER AVAILABLE, Not available online / Call for pricing and availability
9	011869-000	CUSHION	1	EA	
10	PM120005	SCREW	1	EA	
11	005082-000	TOP DUCT	1	EA	
12	004865-000	OUTER CASE CABINET	1	EA	NO LONGER AVAILABLE
13	004887-000	DAMPER CUSHION	1	EA	NO LONGER AVAILABLE, Not available online / Call for pricing and availability
14	022291-000	LAMP COVER	1	EA	
15	PM120097	SCREW	1	EA	
16	004890-000	CONVECTION MOTOR MOUNTING ANGLE	1	EA	NO LONGER AVAILABLE, Not available online / Call for pricing and availability
17	022299-000	EDGE COVER	1	EA	
18	005092-000	CUSHION	1	EA	NO LONGER AVAILABLE, Not available online / Call for pricing and availability



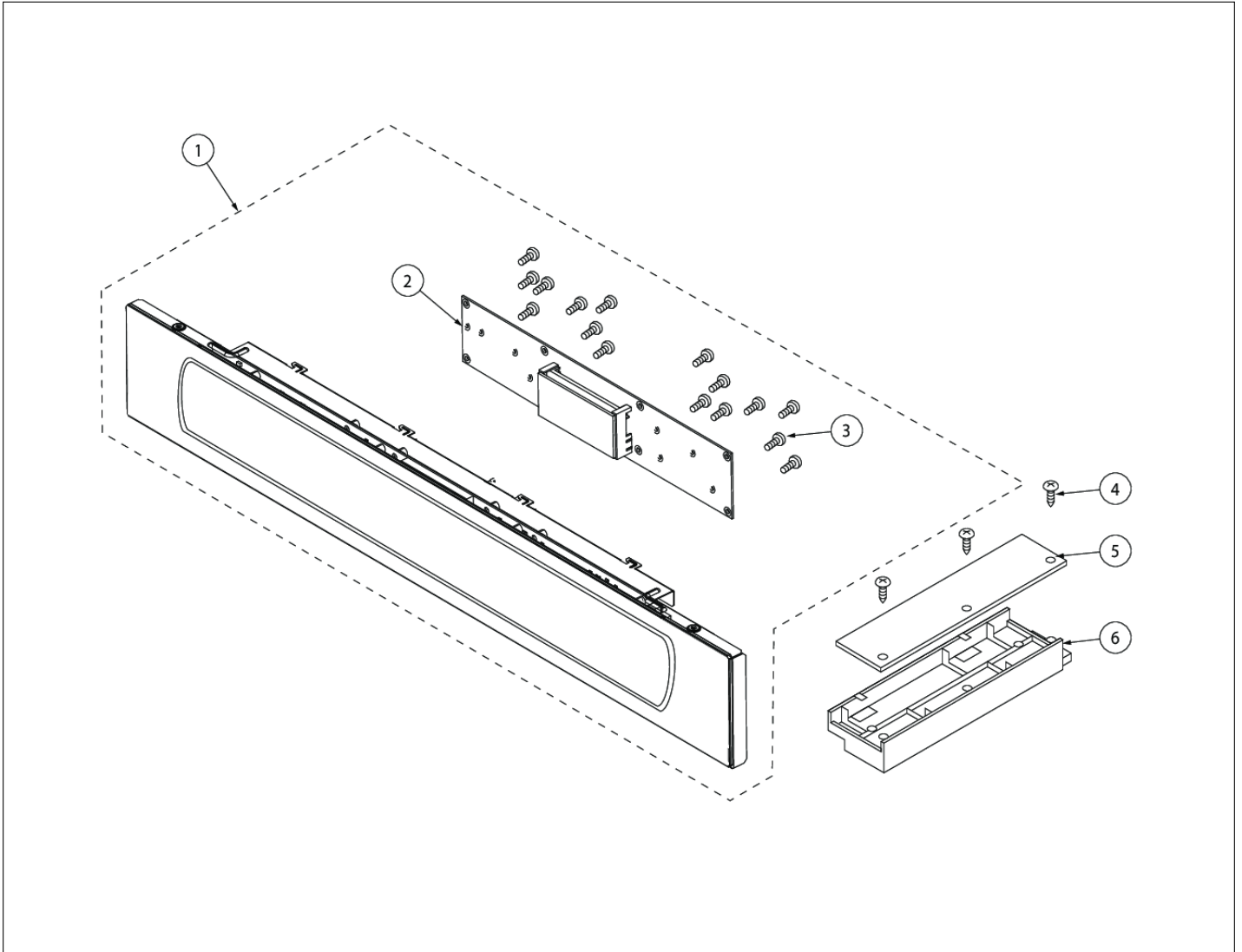
Item	Part No.	Name	Qty	Uom	NOTES
19	022504-000	BACK PLATE	1	EA	
20	005067-000	MAGNETRON SEPARATOR	1	EA	NO LONGER AVAILABLE, Not available online / Call for pricing and availability
21	005139-000	CUSHION	1	EA	NO LONGER AVAILABLE, Not available online / Call for pricing and availability
22	005060-000	TRANSFORMER MOUNTING ANGLE	2	EA	NO LONGER AVAILABLE, Not available online / Call for pricing and availability
23	005130-000	CUSHION	2	EA	NO LONGER AVAILABLE, Not available online / Call for pricing and availability
24	022307-000	REAR SEPARATOR	1	EA	
25	005088-000	DOOR CAM RIGHT - NLA	1	EA	NO LONGER AVAILABLE
26	005089-000	DOOR SPRING	2	EA	
27	005080-000	OVEN HINGE RIGHT	1	EA	
28	005065-000	CUSHION	1	EA	NO LONGER AVAILABLE, Not available online / Call for pricing and availability
29	PM120148	SCREW : 3MM X 14MM	1	EA	NO LONGER AVAILABLE, Not available online / Call for pricing and availability
30	004846-000	LEG	2	EA	NO LONGER AVAILABLE, Not available online / Call for pricing and availability
31	005228-000	SCREW : 4 MM X 8 MM	4	EA	NO LONGER AVAILABLE, Not available online / Call for pricing and availability
32	NLA	BOTTOM PLATE	1	EA	
33	005079-000	OVEN HINGE LEFT	1	EA	
34	005086-000	DOOR CAM LEFT	1	EA	





Item	Part No.	Name	Qty	Uom	NOTES
35	022315-000	SCREW : 4 MM X 6 MM	3	EA	
36	005083-000	CATALYST MOUNTING ANGLE	1	EA	NO LONGER AVAILABLE, Not available online / Call for pricing and availability
37	022302-000	CATALYST	1	EA	Not available online / Call for pricing and availability
38	004891-000	HEATER DUCT LEFT	1	EA	NO LONGER AVAILABLE, Not available online / Call for pricing and availability
39	022303-000	THERMAL INSULATION L	1	EA	

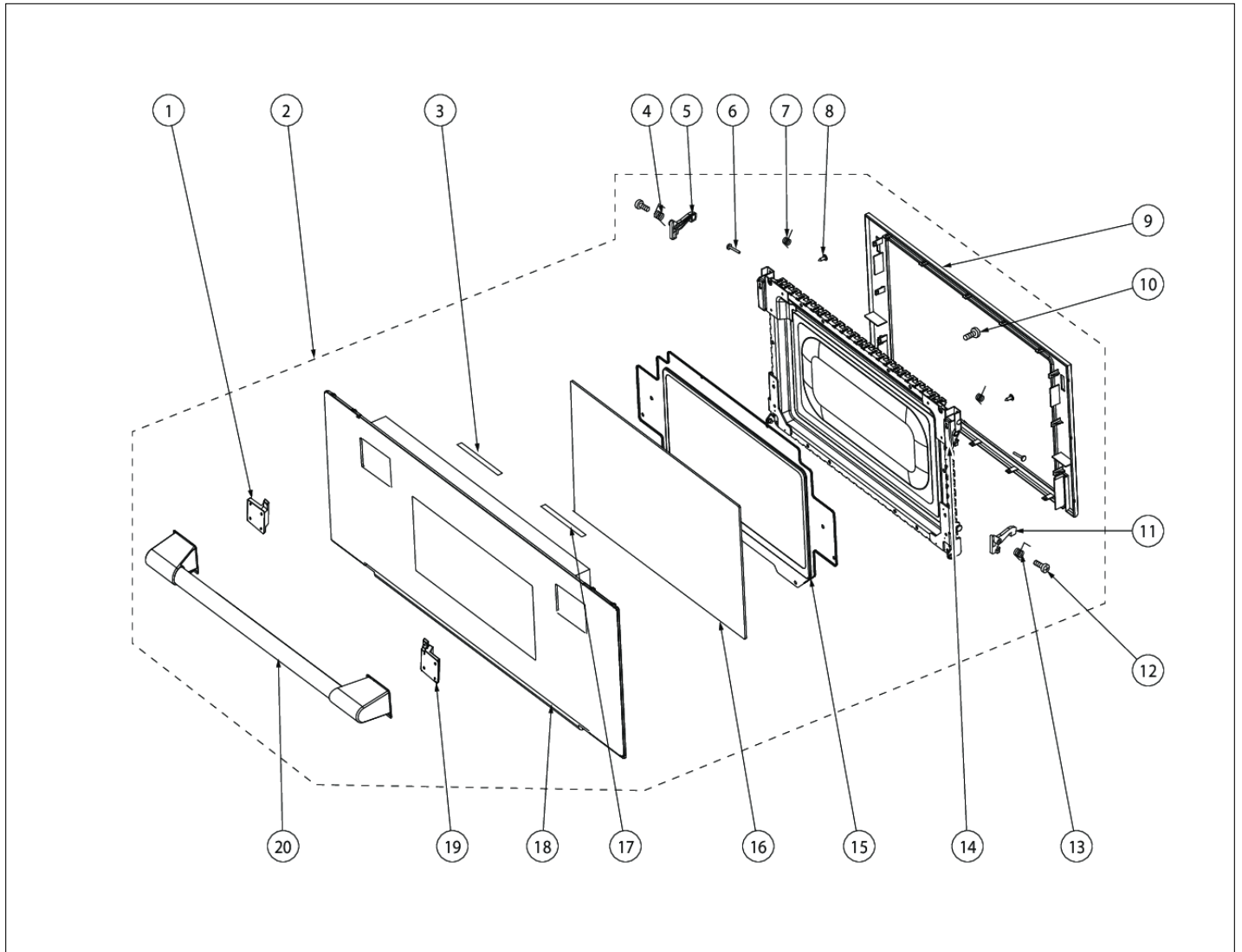
CONTROL PANEL AREA





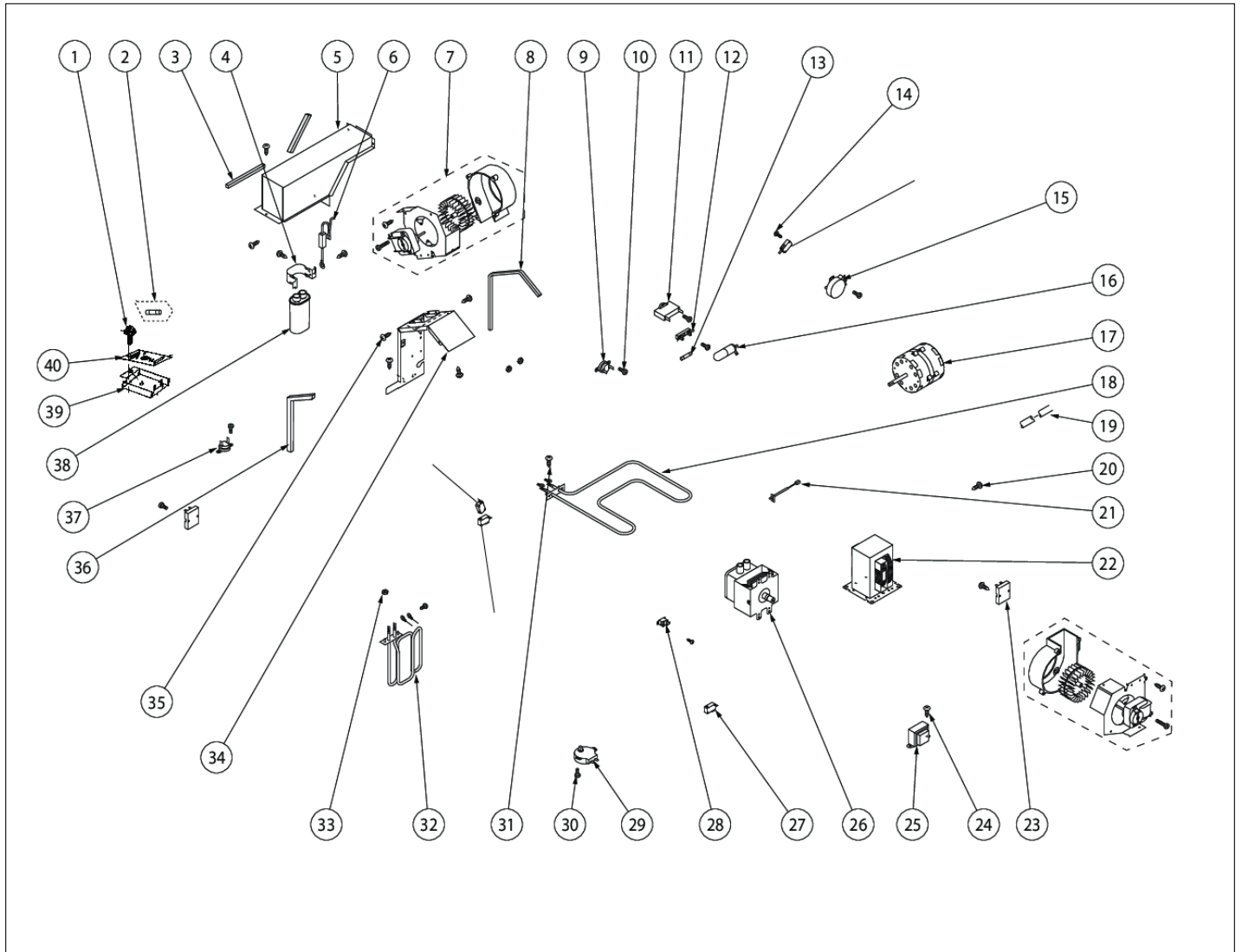
Item	Part No.	Name	Qty	Uom	NOTES
1	002816-000	C/P ASSY - NLA	1	EA	
2	004870-000	CONTROL UNIT	1	EA	
3	022262-000	SCREW; 3MM X 10MM	20	EA	
4	PM120003	SCREW	3	EA	NO LONGER AVAILABLE
5	004867-000	POWER UNIT (LOCATED ON BOTTOM PLATE)	1	EA	
6	005203-000	PWB MOUNTING ANGLE	1	EA	NO LONGER AVAILABLE, Not available online / Call for pricing and availability

DOOR ASSEMBLY

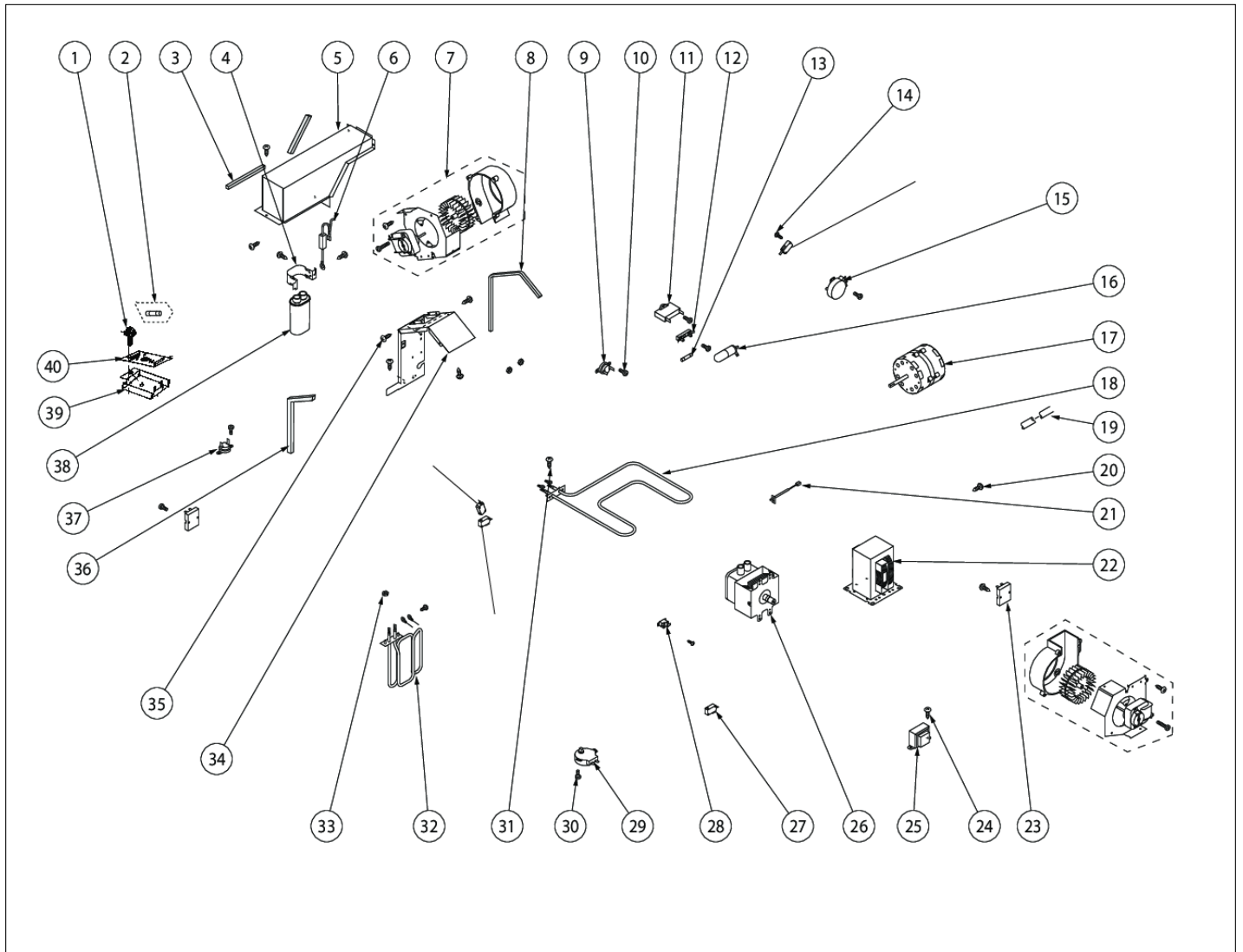


Item	Part No.	Name	Qty	Uom	NOTES
1	005161-000	HANDLE ADAPTER LEFT	1	EA	
2	005157-000	DOOR ASSY	1	EA	
4	005175-000	LATCH SPRING LEFT	1	EA	
5	005164-000	LATCH HEAD LEFT	1	EA	
6	005180-000	HANDLE PIN	2	EA	
7	005165-000	HANDLE SPRING	2	EA	
8	005177-000	SCREW : 4MM X 20MM	4	EA	
9	005160-000	CHOKE COVER	1	EA	
10	011900-000	SCREW : 4MM X 8MM	14	EA	
11	005163-000	LATCH HEAD RIGHT	1	EA	
12	005159-000	SCREW	2	EA	
13	005169-000	LATCH SPRING RIGHT	1	EA	
14	022297-000	HANDLE LEVER	2	EA	
19	005162-000	HANDLE ADAPTER RIGHT	1	EA	
20	005158-000	DOOR HANDLE - NLA	1	EA	NO LONGER AVAILABLE

ELECTRIC COMPONENTS



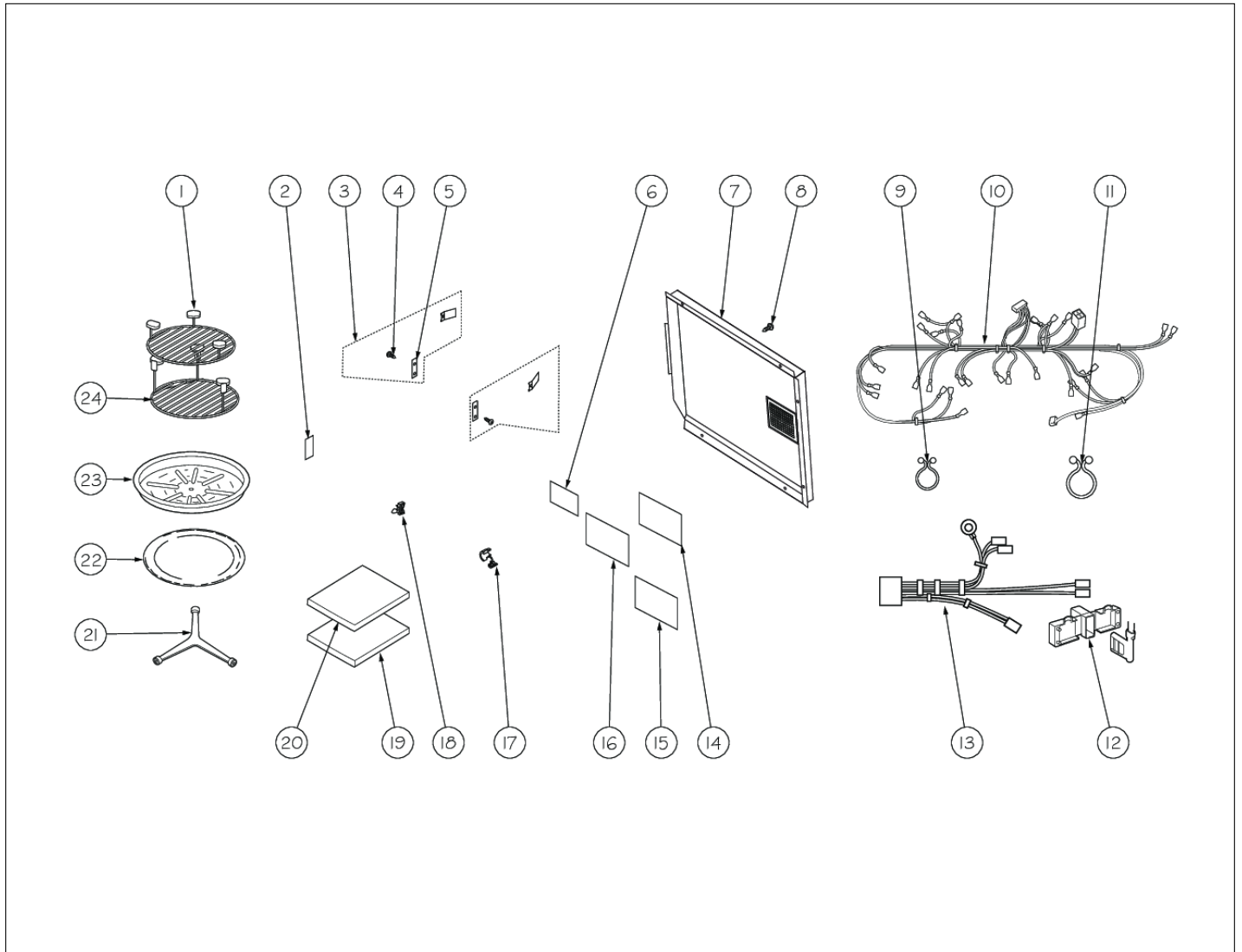
Item	Part No.	Name	Qty	Uom	NOTES
1	PM120146	SCREW : 4MM X 12MM	5	EA	
2	004825-000	MONITOR FUSE 20A AND MONITOR SWITCH (V-5220Q) ASSEMBLY	1	EA	
3	022299-000	EDGE COVER	2	EA	
4	022293-000	CAPACITOR HOLDER	1	EA	
5	022289-000	EXHAUST DUCT	1	EA	
6	004707-000	HIGH VOLTAGE RECTIFIER ASSY	1	EA	
7	022290-000	FAN MOTOR ASSY	2	EA	
8	005126-000	CUSHION	3	EA	NO LONGER AVAILABLE, Not available online / Call for pricing and availability
9	004831-000	THERMAL CUT OUT 338o F (TOP HEATER) OFF 311o F ON	1	EA	
10	005227-000	SCREW : 3 MM X 10 MM	10	EA	NO LONGER AVAILABLE, Not available online / Call for pricing and availability
11	022309-000	CONVECTION MOTOR CAPACITOR	1	EA	
12	004828-000	TEMPERATURE FUSE 3020 F (MG)	1	EA	
13	004827-000	FUSE F10A	1	EA	
14	005222-000	SCREW	1	EA	NO LONGER AVAILABLE, Not available online / Call for pricing and availability
15	022311-000	DAMPER MOTOR	1	EA	
16	004830-000	OVEN LAMP	1	EA	
17	022310-000	CONVECTION MOTOR	1	EA	
18	004696-000	TOP HEATING ELEMENT	1	EA	NO LONGER AVAILABLE, Not available online / Call for pricing and availability
19	004703-000	POWER SUPPLY CORD	1	EA	
20	022315-000	SCREW : 4 MM X 6 MM	3	EA	
21	PM100077	THERMISTOR	1	EA	
22	004833-000	POWER TRANSFORMER	1	EA	



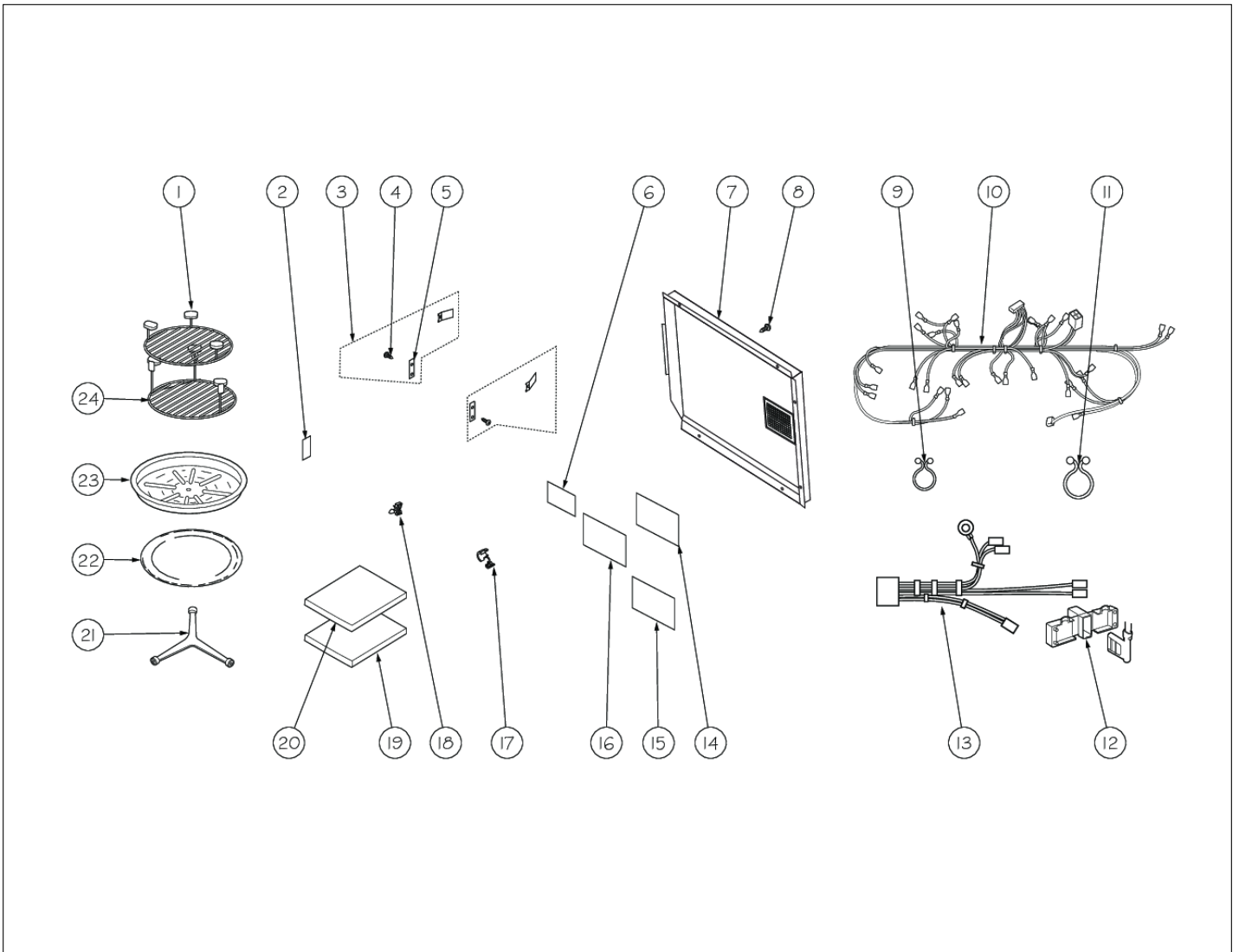


Item	Part No.	Name	Qty	Uom	NOTES
23	004826-000	SOLID - STATE RELAY	2	EA	
24	PM120148	SCREW : 3MM X 14MM	3	EA	NO LONGER AVAILABLE, Not available online / Call for pricing and availability
25	022312-000	LV TRANSFORMER - NLA	1	EA	
26	004835-000	MAGNETRON	1	EA	
27	PM100019	INTERLOCK SWITCH	3	EA	
28	PM100017	CAVITY TEMPERATURE FUSE 150+C	1	EA	
29	004699-000	TURNTABLE MOTOR	1	EA	
30	005228-000	SCREW : 4 MM X 8 MM	5	EA	NO LONGER AVAILABLE, Not available online / Call for pricing and availability
31	005226-000	SPECIAL SCREW	2	EA	
32	004829-000	SIDE HEATING ELEMENT	1	EA	NO LONGER AVAILABLE, Not available online / Call for pricing and availability
33	022316-000	NUT: 4MM X 3.2MM	3	EA	
34	004876-000	FAN MOTOR MOUNTING ANGLE	1	EA	NO LONGER AVAILABLE, Not available online / Call for pricing and availability
35	011866-000	SCREW : 4MM X 8MM	3	EA	
36	005141-000	CUSHION	1	EA	NO LONGER AVAILABLE, Not available online / Call for pricing and availability
37	004832-000	THERMAL CUT OUT 302o F (SIDE HEATER) 302o F OFF 266o F ON - NLA	1	EA	NO LONGER AVAILABLE
38	004730-000	HIGH VOLTAGE CAPACITOR	1	EA	
39	005075-000	FAN MOTOR MOUNTING ANGLE	1	EA	NO LONGER AVAILABLE, Not available online / Call for pricing and availability
40	004836-000	NOISE FILTER	1	EA	

MISC



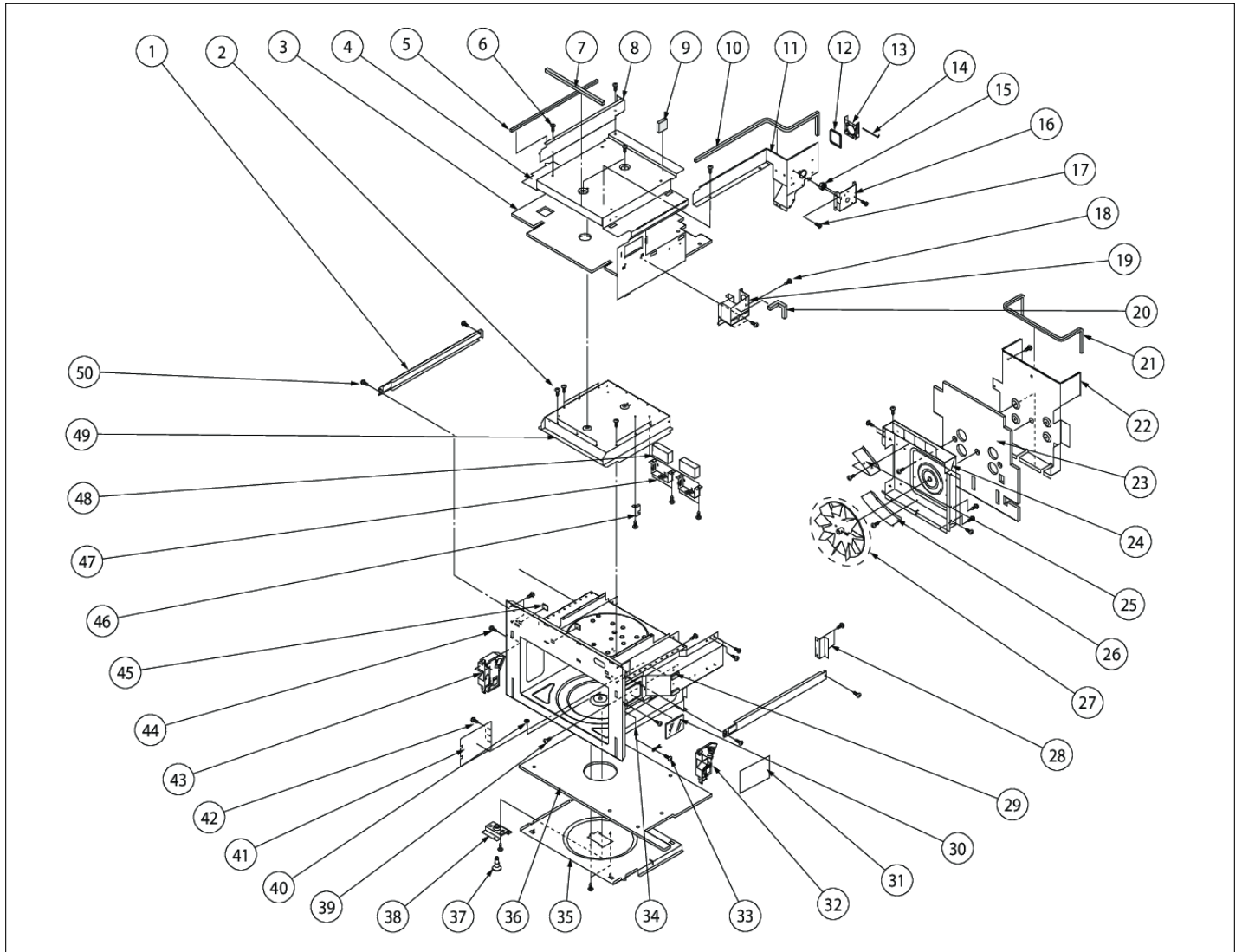
Item	Part No.	Name	Qty	Uom	NOTES
1	005187-000	LOW RACK ASSEMBLY	1	EA	
2	PM120034	MONITOR CAUTION LABEL	1	EA	
3	022288-000	ANTI-TIP BRACKET	2	EA	
4	PM120146	SCREW : 4MM X 12MM	4	EA	
5	005229-000	CLIP RETAINER	2	EA	NO LONGER AVAILABLE
6	005196-000	GND CAUTION LABEL	1	EA	NO LONGER AVAILABLE, Not available online / Call for pricing and availability
7	005207-000	BACK DUCT - NLA	1	EA	NO LONGER AVAILABLE
9	022295-000	PURSE LOCK L	1	EA	
10	005198-000	MAIN WIRE HARNESS	1	EA	NO LONGER AVAILABLE, Not available online / Call for pricing and availability
11	005200-000	PURSE LOCK L	1	EA	NO LONGER AVAILABLE, Not available online / Call for pricing and availability
12	022308-000	THERMAL INSULATOR	1	EA	
13	011910-000	HARNESS ASSY	1	EA	
14	PM120073	LABEL	2	EA	NO LONGER AVAILABLE, Not available online / Call for pricing and availability
15	022505-000	NHW CAUTION LABEL	1	EA	Not available online / Call for pricing and availability
16	012012-000	BIK LABEL	1	EA	
17	022294-000	CORD BUSHING	1	EA	
18	PM120072	PURSE LOCK LL	1	EA	NO LONGER AVAILABLE, Not available online / Call for pricing and availability
19	022313-000	COOK BOOK	1	EA	Not available online / Call for pricing and availability



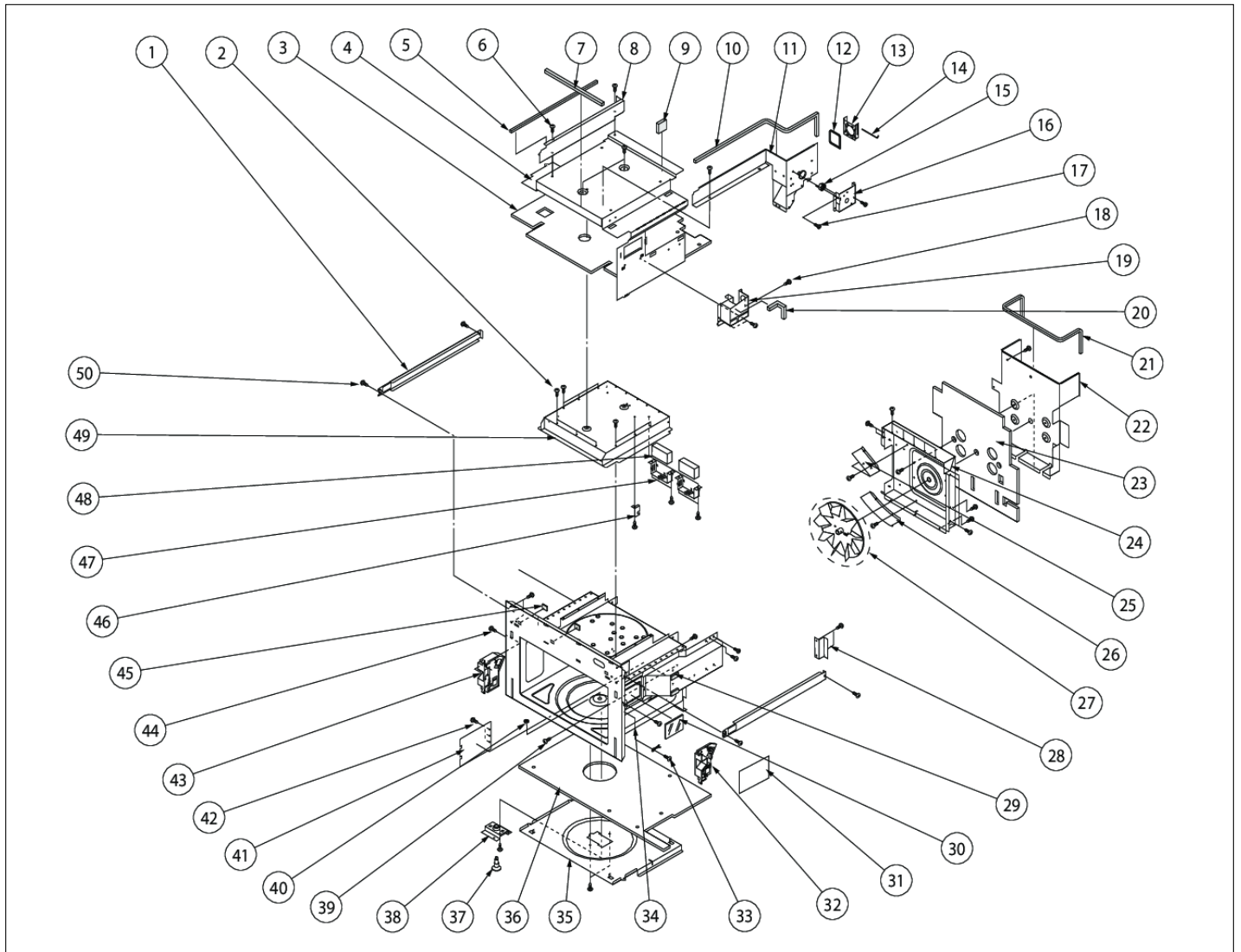


Item	Part No.	Name	Qty	Uom	NOTES
20	022506-000	USER & CARE GUIDE	1	EA	Not available online / Call for pricing and availability
21	005188-000	TURNTABLE SUPPORT	1	EA	
22	005191-000	TURNTABLE TRAY	1	EA	
23	005193-000	SPLASH GUARD	1	EA	
24	005182-000	HIGH RACK ASSEMBLY	1	EA	

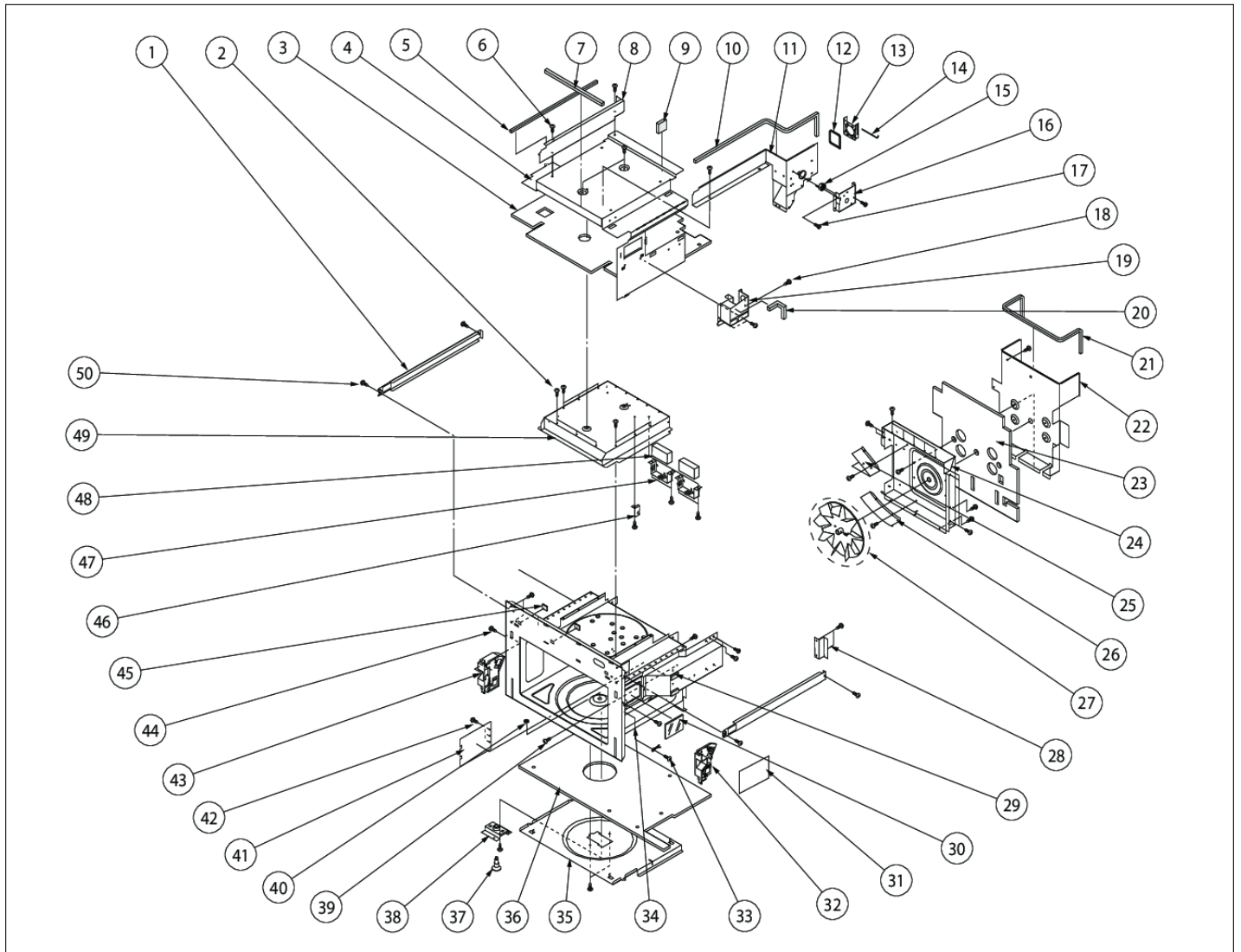
OVEN CAVITY AREA



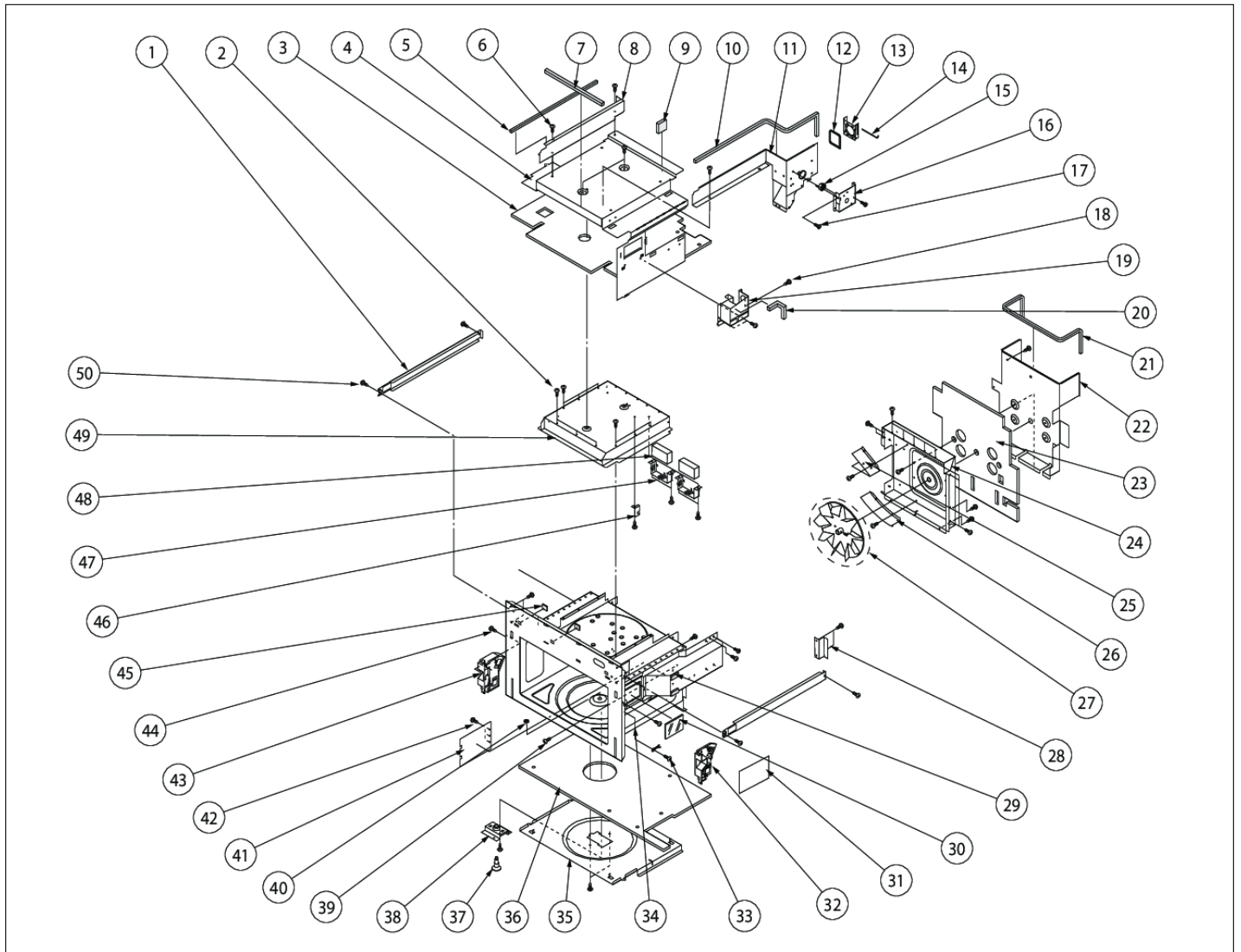
Item	Part No.	Name	Qty	Uom	NOTES
1	011880-000	AIR GUIDE - RH	1	EA	
2	022318-000	SCREW : 4 MM X 8 MM	11	EA	
3	005066-000	THERMAL INSULATION UPPER	1	EA	NO LONGER AVAILABLE, Not available online / Call for pricing and availability
4	005071-000	THERMAL COVER UPPER	1	EA	NO LONGER AVAILABLE, Not available online / Call for pricing and availability
5	005126-000	CUSHION	1	EA	NO LONGER AVAILABLE, Not available online / Call for pricing and availability
6	PM120159	SCREW	1	EA	
7	005137-000	CUSHION	1	EA	NO LONGER AVAILABLE, Not available online / Call for pricing and availability
8	022292-000	SEPARATOR LEFT	1	EA	
9	005028-000	CUSHION	1	EA	NO LONGER AVAILABLE, Not available online / Call for pricing and availability
10	005147-000	CUSHION	1	EA	NO LONGER AVAILABLE, Not available online / Call for pricing and availability
11	004897-000	DAMPER DUCT ASSEMBLY	1	EA	
12	005064-000	DAMPER CUSHION	1	EA	NO LONGER AVAILABLE, Not available online / Call for pricing and availability
13	005056-000	THERMAL INSULATOR BACK	3	EA	NO LONGER AVAILABLE, Not available online / Call for pricing and availability
14	022298-000	DAMPER SHAFT	1	EA	
15	022296-000	DAMPER CAM	1	EA	
16	PM120066	SPECIAL SCREW	2	EA	NO LONGER AVAILABLE



Item	Part No.	Name	Qty	Uom	NOTES
17	005061-000	MOTOR MOUNTING ANGLE	1	EA	NO LONGER AVAILABLE, Not available online / Call for pricing and availability
18	022317-000	SCREW : 4MM X 8MM	2	EA	
19	005144-000	LAMP MOUNTING ANGLE	1	EA	NO LONGER AVAILABLE, Not available online / Call for pricing and availability
20	005140-000	CUSHION	1	EA	NO LONGER AVAILABLE, Not available online / Call for pricing and availability
21	005093-000	CUSHION	2	EA	NO LONGER AVAILABLE, Not available online / Call for pricing and availability
22	005074-000	THERMAL COVER BACK	1	EA	NO LONGER AVAILABLE, Not available online / Call for pricing and availability
23	005069-000	THERMAL INSULATOR BACK	1	EA	NO LONGER AVAILABLE, Not available online / Call for pricing and availability
24	004894-000	HEATER DUCT LEFT	1	EA	NO LONGER AVAILABLE, Not available online / Call for pricing and availability
25	005063-000	MAGNETRON SEPARATOR	1	EA	NO LONGER AVAILABLE, Not available online / Call for pricing and availability
26	005058-000	DIVIDE PLATE A	1	EA	NO LONGER AVAILABLE, Not available online / Call for pricing and availability
27	012003-000	STIRRER FAN ASSY	1	EA	
28	005085-000	MAGNETRON GUIDE	1	EA	NO LONGER AVAILABLE



Item	Part No.	Name	Qty	Uom	NOTES
29	005138-000	CUSHION	1	EA	NO LONGER AVAILABLE, Not available online / Call for pricing and availability
30	004888-000	LAMP GLASS	1	EA	NO LONGER AVAILABLE, Not available online / Call for pricing and availability
31	022314-000	SCHEMATIC	1	EA	
32	004498-000	LATCH HOOK - RIGHT (PHOK-A134WRFZ)	1	EA	
33	005228-000	SCREW : 4 MM X 8 MM	4	EA	NO LONGER AVAILABLE, Not available online / Call for pricing and availability
34	NON-REPLACEABLE	OVEN CAVITY	1	EA	
35	005072-000	THERMAL COVER UPPER	1	EA	NO LONGER AVAILABLE, Not available online / Call for pricing and availability
36	005068-000	THERMAL INSULATION BOTTOM	1	EA	NO LONGER AVAILABLE, Not available online / Call for pricing and availability
37	004896-000	COUPLING ASSEMBLY - NLA	1	EA	NO LONGER AVAILABLE
38	064846-000	TURNTABLE MOUNTING ANGLE	1	EA	
39	011900-000	SCREW : 4MM X 8MM	1	EA	
40	022306-000	SILCON PACKING	1	EA	
41	005090-000	WAVEGUIDE COVER	1	EA	
42	005226-000	SPECIAL SCREW	1	EA	
43	022305-000	LATCH HOOK LEFT	1	EA	





Item	Part No.	Name	Qty	Uom	NOTES
Comments for Part Num. 022305-000					
vharding68@verizon.net on Dec 21, 2016					
IF YOU ARE ORDERING THIS LATCH HOOK LEFT IT DOES NOT COME WITH THE SPRINGS OR THE LEVERS. THEY ARE NOT LISTED ANYWHERE. HERE ARE THE PARTS YOU WILL NEED IF YOU WANT THE ASSEMBLY.					
014436-000 TOP SPRING					
014437-000 WHITE SWITCH LEVER A					
014440-000 WHITE SWITCH LEVER B					
014441-000 BOTTOM SPRING					
VAL@BOB'S APPLIANCE SERVICE CO., INC.					
44	022269-000	DOOR STOPPER	2	EA	
45	022300-000	CUSHION	1	EA	
46	005084-000	CHASSIS SUPPORT	1	EA	NO LONGER AVAILABLE, Not available online / Call for pricing and availability
47	005083-000	CATALYST MOUNTING ANGLE	2	EA	NO LONGER AVAILABLE, Not available online / Call for pricing and availability
48	022302-000	CATALYST	1	EA	Not available online / Call for pricing and availability
49	022301-000	HEATER DUCT UPPER	3	EA	
50	PM120146	SCREW : 4MM X 12MM	11	EA	



Appendix A:Pages Index

CABINET AREA 1
CONTROL PANEL AREA 2
DOOR ASSEMBLY 3
ELECTRIC COMPONENTS 4
MISC 5
OVEN CAVITY AREA 6



Appendix B:Parts Index

002816-000	2	005066-000	6
004498-000	6	005067-000	1
004696-000	4	005068-000	6
004699-000	4	005069-000	6
004703-000	4	005071-000	6
004707-000	4	005072-000	6
004730-000	4	005074-000	6
004825-000	4	005075-000	4
004826-000	4	005079-000	1
004827-000	4	005080-000	1
004828-000	4	005082-000	1
004829-000	4	005083-000	1, 6
004830-000	4	005084-000	6
004831-000	4	005085-000	6
004832-000	4	005086-000	1
004833-000	4	005088-000	1
004835-000	4	005089-000	1
004836-000	4	005090-000	6
004846-000	1	005092-000	1
004865-000	1	005093-000	6
004867-000	2	005094-000	1
004870-000	2	005126-000	4, 6
004876-000	4	005130-000	1
004887-000	1	005132-000	1
004888-000	6	005137-000	6
004890-000	1	005138-000	6
004891-000	1	005139-000	1
004894-000	6	005140-000	6
004896-000	6	005141-000	4
004897-000	6	005144-000	6
004899-000	1	005147-000	6
005028-000	6	005157-000	3
005056-000	6	005158-000	3
005057-000	1	005159-000	3
005058-000	6	005160-000	3
005060-000	1	005161-000	3
005061-000	6	005162-000	3
005063-000	6	005163-000	3
005064-000	6	005164-000	3
005065-000	1	005165-000	3
		005169-000	3



005175-000	3	022301-000	6
005177-000	3	022302-000	1, 6
005180-000	3	022303-000	1
005182-000	5	022305-000	6
005187-000	5	022306-000	6
005188-000	5	022307-000	1
005191-000	5	022308-000	5
005193-000	5	022309-000	4
005196-000	5	022310-000	4
005198-000	5	022311-000	4
005200-000	5	022312-000	4
005203-000	2	022313-000	5
005207-000	5	022314-000	6
005222-000	4	022315-000	1, 4
005226-000	4, 6	022316-000	4
005227-000	4	022317-000	6
005228-000	1, 4, 6	022318-000	1, 6
005229-000	5	022504-000	1
011855-000	1	022505-000	5
011866-000	4	022506-000	5
011869-000	1	064846-000	6
011880-000	6	PM100017	4
011900-000	3, 6	PM100019	4
011910-000	5	PM100077	4
012003-000	6	PM120003	2
012012-000	5	PM120005	1
022262-000	2	PM120034	5
022269-000	6	PM120066	6
022288-000	5	PM120072	5
022289-000	4	PM120073	5
022290-000	4	PM120097	1
022291-000	1	PM120146	1, 4, 5, 6
022292-000	6	PM120148	1, 4
022293-000	4	PM120159	1, 6
022294-000	5		
022295-000	5		
022296-000	6		
022297-000	3		
022298-000	6		
022299-000	1, 4		
022300-000	6		