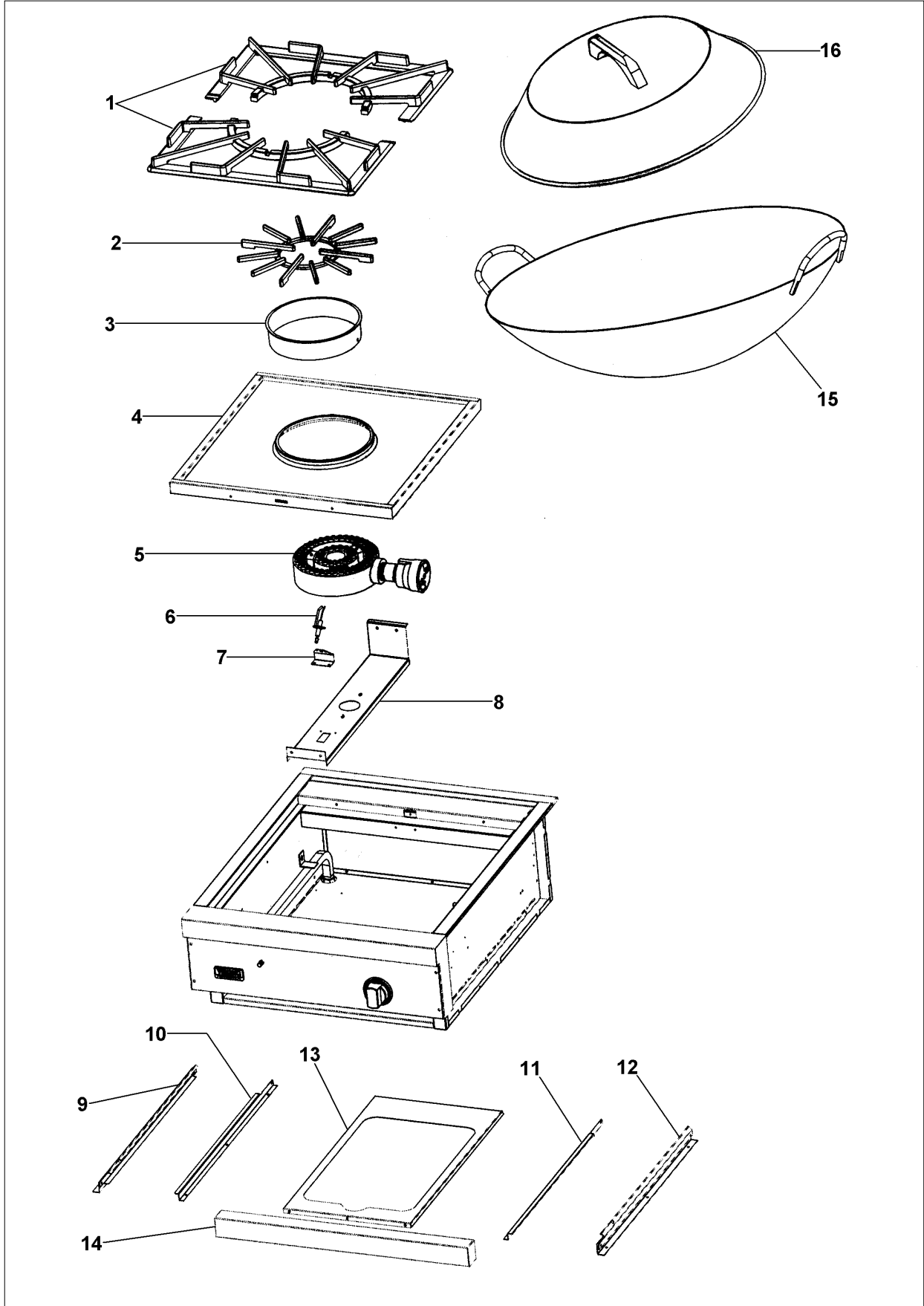


VGWT241T

BURNER-GRATE ASSY	1
CONTROL ASSY	2
LP GAS REGULATOR ASSY	3
NATURAL GAS ASSY	4
Appendix A:Pages Index	A
Appendix B:Parts Index	B

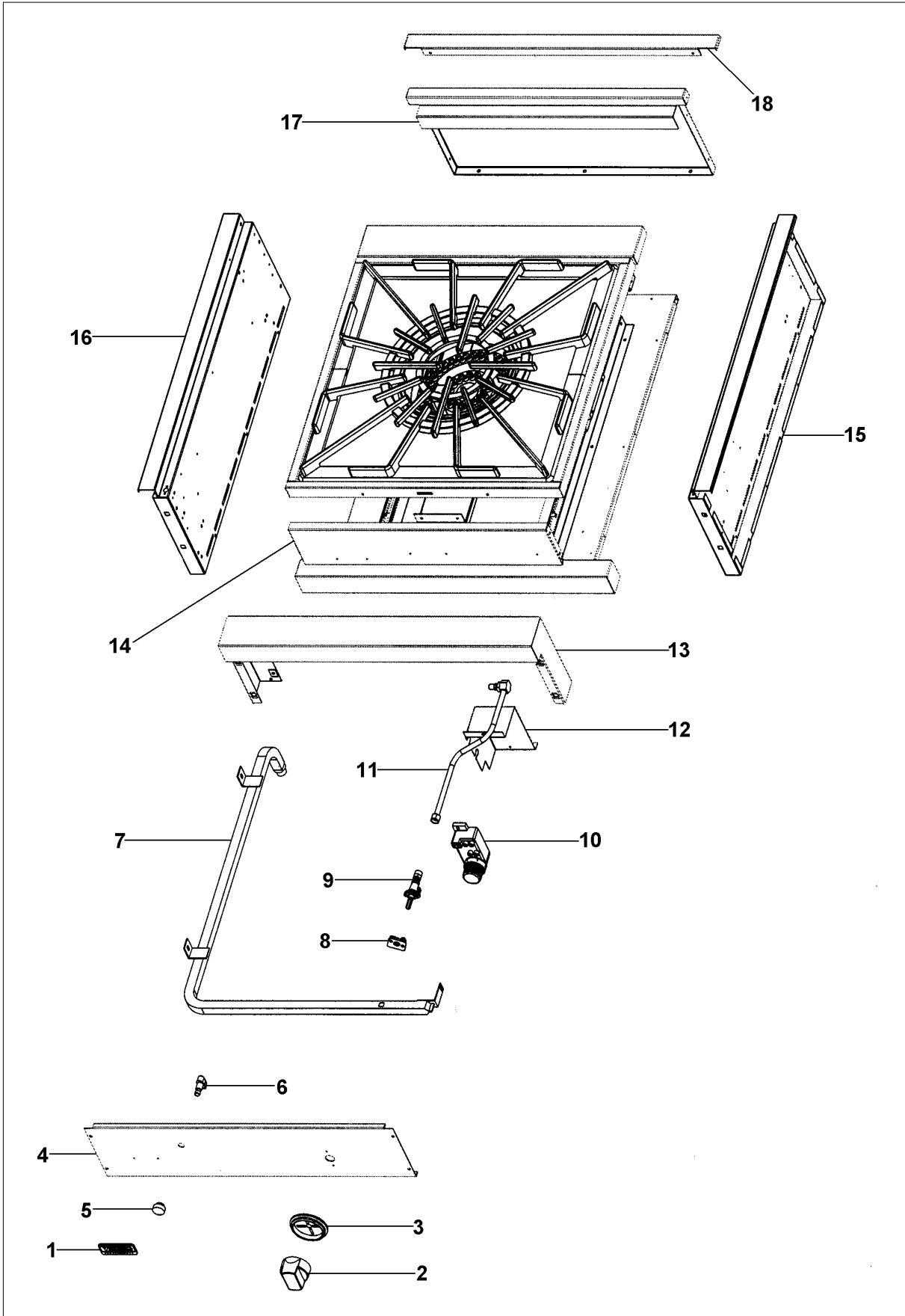
BURNER-GRATE ASSY





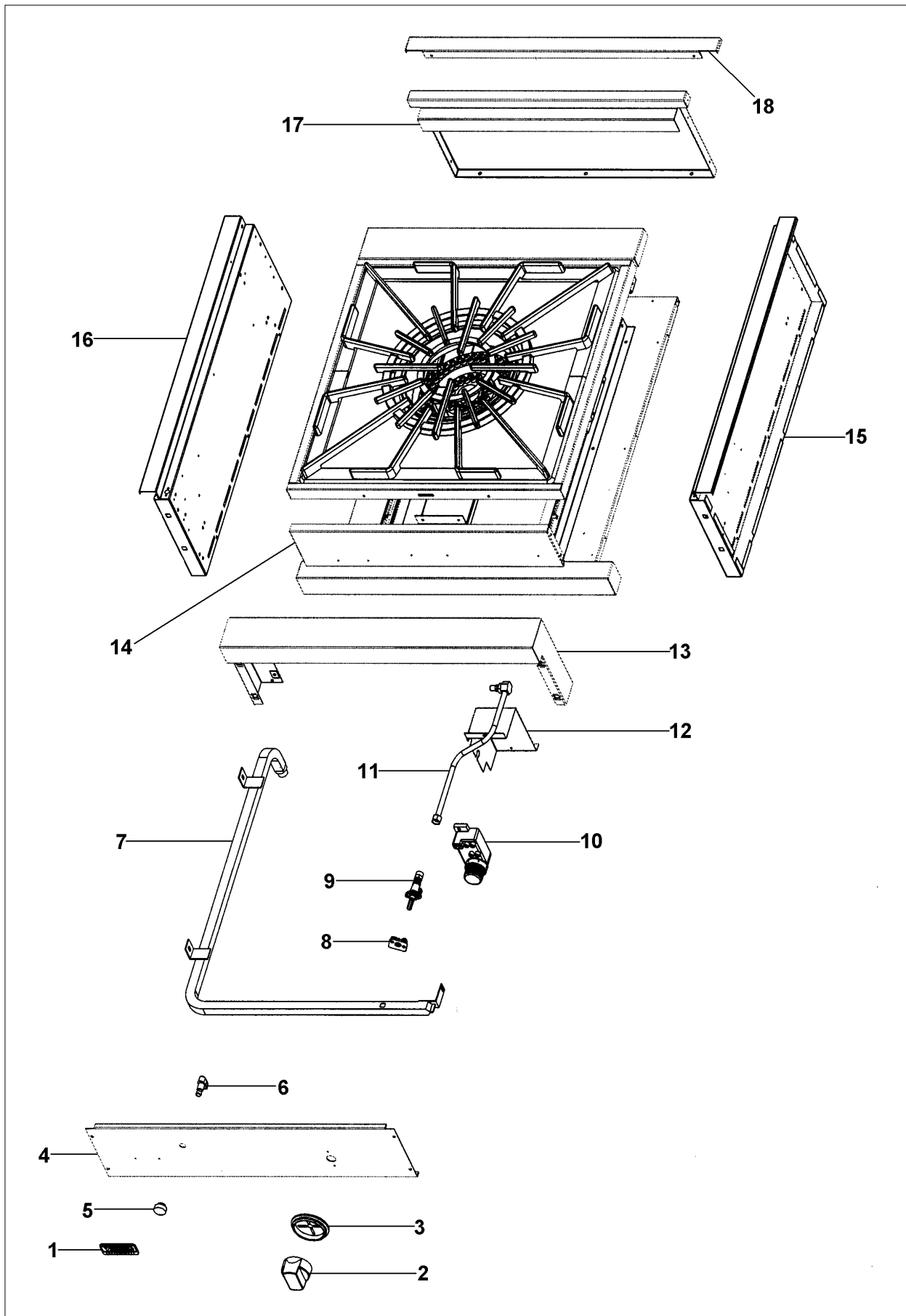
Item	Part No.	Name	Qty	Uom	NOTES
1	PA060083	WOK GRATE	1	EA	THIS IS A 1/2 SIZE GRATE. IF FULL GRATE IS NEEDED YOU MUST ORDER 2
2	PA060044	CENTER GRATE (24" WOK)	1	EA	
3	PA030006	GRATE SUPT. RING *SS* (VGWT240)	1	EA	
4	G30012134	GRATE SUPPORT OUTER FRAME	1	EA	
5	G3204100	WOK BURNER ASSY (24" WOK)	1	EA	
6	PB040160	WOK IGNITER	1	EA	
7	B2004105	SPARK IGNITOR BRKT (VGWT240T)	1	EA	
8	B2006351	OUTDOOR WOK BURNER SUPPORT PHASE II	1	EA	NO LONGER AVAILABLE, Not available online / Call for pricing and availability
9	G3005214	DRIP TRAY SLIDE - LH	1	EA	
10	B2005317	DRIP TRAY RUNNER LH (PHASE 2)	1	EA	
11	B2005316	DRIP TRAY RUNNER RH	1	EA	
12	G3005215	DRIP TRAY SLIDE - RH	1	EA	
13	B2005312	DRIP TRAY 30 (PHASE 2)	1	EA	
14	B3006355	OUTDOOR WOK DRIP TRAY HANDLE P2	1	EA	Not available online / Call for pricing and availability
15	PM010043	CARBON STEEL WOK	1	EA	
16	PM010044	WOK LID FOR PM010043	1	EA	
NI	J2101749	GREASE PAN	1	EA	
NI	G32015549	OUTDOOR WOK COVER ASSY	1	EA	Not available online / Call for pricing and availability

CONTROL ASSY





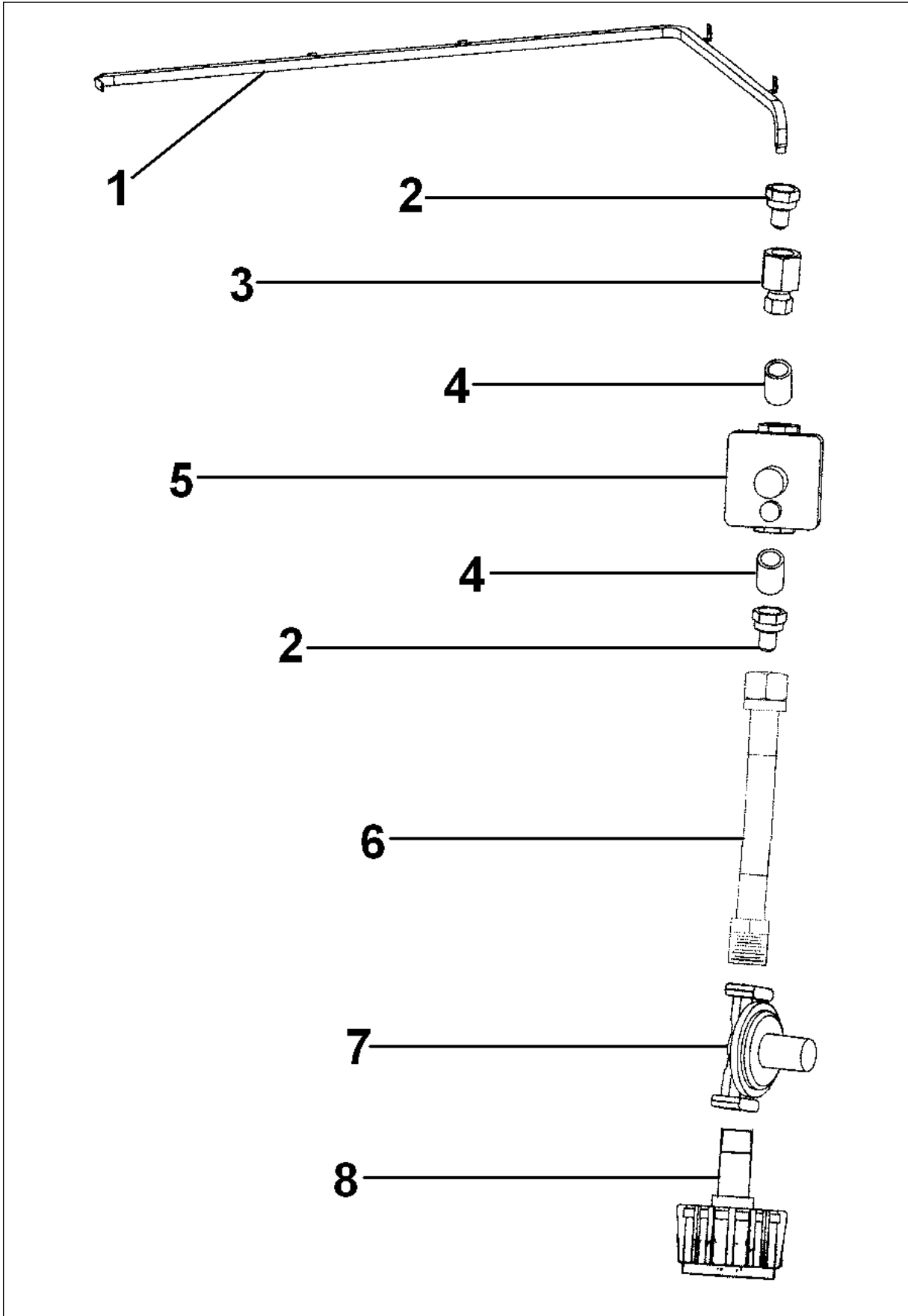
Item	Part No.	Name	Qty	Uom	NOTES
1	PE010142	3" VIKING LOGO BLACK/CHROME		EA	
1	PE010143	3" LOGO BK/BR		EA	
2	PA010126	OUTDOOR GRILL KNOB		EA	
3	050172-000	BEZEL, KNOB		EA	
3	PB010209	Bezel - BR		EA	
4	B9206354	CONTROL PANEL (VGWT241T) *SLK SCR*		EA	Not available online / Call for pricing and availability
5	PB010163	OVEN LIGHT SWITCH KNOB *BK* (VESO/D		EA	
6	PE050063	SPARKER SWITCH (PHASE 2)		EA	
7	PA050077	OUTDOOR WOK MANIFOLD (PHASE 2)		EA	
8	PA020045	Spark Ignition Switch		EA	
9	003546-000	PA010119 VALVE AND BOLT KIT		EA	
NI	003544-000	WOK VALVE		EA	
10	PA020036	SPARK MODULE		EA	
11	PB020151	WOK TUBING (VGWT241T)		EA	
11	PB020153	OUTDOOR WOK TUBING LP (T SERIES)		EA	
12	B2009899	SPARK MODULE BOX		EA	NO LONGER AVAILABLE, Not available online / Call for pricing and availability
13	G3006352	OUTDOOR WOK LANDING LEDGE PHASE II		EA	
14	B2006349	OUTDOOR WOK FRONT - PHASE II		EA	NO LONGER AVAILABLE, Not available online / Call for pricing and availability
15	B2006306	GRILL BOX SIDE RH NON- ROTIS		EA	NO LONGER AVAILABLE
16	B2005204	Grill Box Side - LH		EA	
17	B2006348	SIDE BURNER BOX BACK (VGWT241T)		EA	
18	B2006357	OUTDOOR WOK CABINET REAR TRIM P2		EA	Not available online / Call for pricing and availability





Item	Part No.	Name	Qty	Uom	NOTES
NI	G32015549	OUTDOOR WOK COVER ASSY		EA	Not available online / Call for pricing and availability
NI	G4006381	WIRE ASSY (VGBQ-T SERIES) 15"		EA	

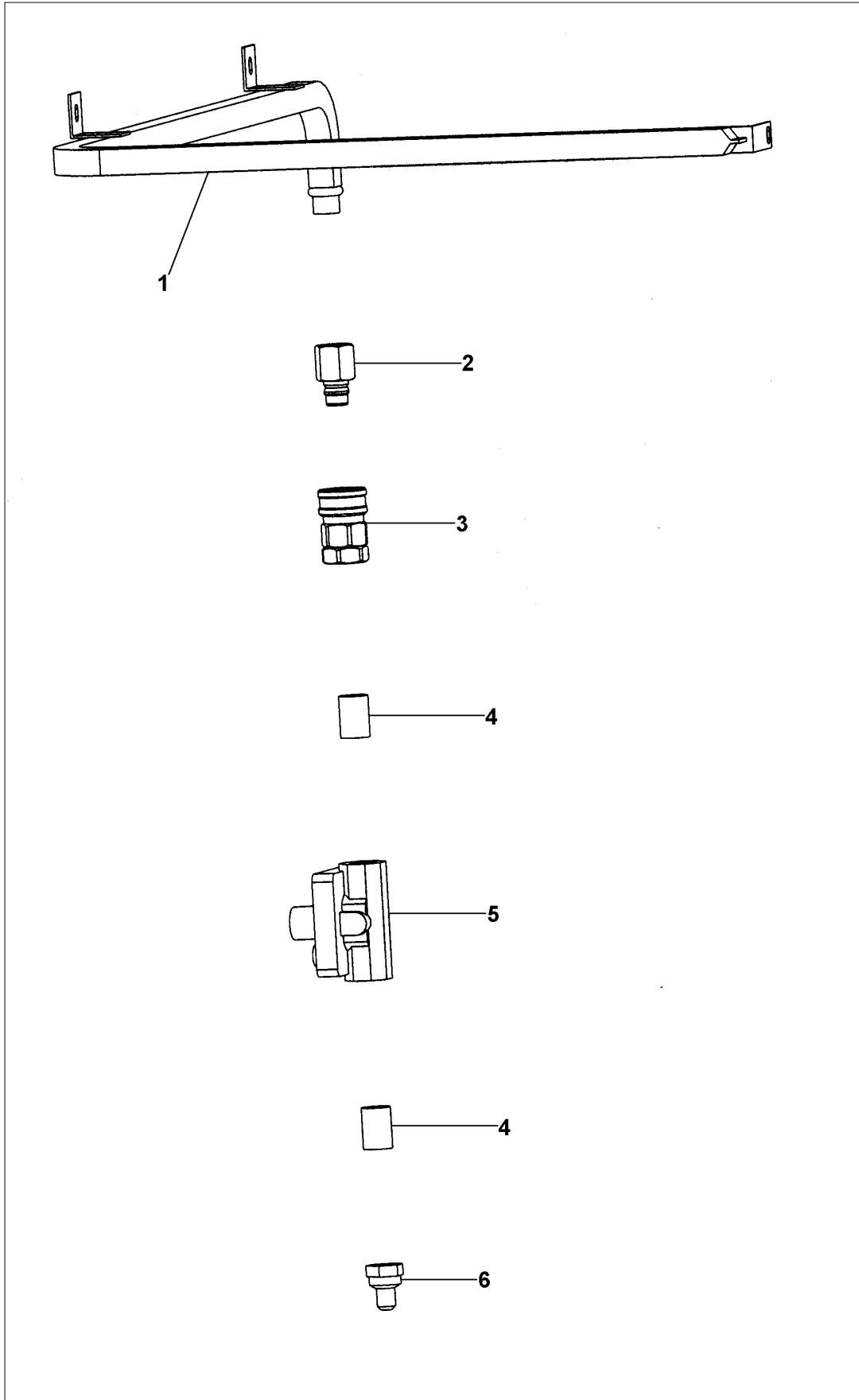
LP GAS REGULATOR ASSY





Item	Part No.	Name	Qty	Uom	NOTES
1	PA050077	OUTDOOR WOK MANIFOLD (PHASE 2)	1	EA	
2	PB040146	1/2" X 3/8" FLARE ADAPTER (VGBQ)	1	EA	
3	PB040235	1/2"NPT TO 3/8" FLARE COUPLING	1	EA	
4	PB040046	1/2" CLOSE NIPPLE	1	EA	
5	PA070005	PRESSURE REG.(LP) RV47L-77-10.0	1	EA	
6	PB020227	HIGH PRESSURE LP HOSE	1	EA	
7	PA070007	LP TANK REGULATOR (VGBQ)	1	EA	
8	PA010138	CYLINDER CONNECTION	1	EA	

NATURAL GAS ASSY





Item	Part No.	Name	Qty	Uom	NOTES
1	PA050077	OUTDOOR WOK MANIFOLD (PHASE 2)	1	EA	
2	023653-000	Nipple-Coupler Assy	1	EA	
3	023653-000	Nipple-Coupler Assy	1	EA	
4	PB040046	1/2" CLOSE NIPPLE	1	EA	
5	PA070006	PRESSURE REG.(NAT.)-4"-FOR BBQ GRIL - NLA	1	EA	
6	PB040146	1/2" X 3/8" FLARE ADAPTER (VGBQ)	1	EA	



Appendix A:Pages Index

BURNER-GRATE ASSY	1
CONTROL ASSY	2
LP GAS REGULATOR ASSY	3
NATURAL GAS ASSY	4



Appendix B:Parts Index

003544-000	2	PB020227	3
003546-000	2	PB040046	3, 4
023653-000	4, 4	PB040146	3, 4
050172-000	2	PB040160	1
B2004105	1	PB040235	3
B2005204	2	PE010142	2
B2005312	1	PE010143	2
B2005316	1	PE050063	2
B2005317	1	PM010043	1
B2006306	2	PM010044	1
B2006348	2		
B2006349	2		
B2006351	1		
B2006357	2		
B2009899	2		
B3006355	1		
B9206354	2		
G30012134	1		
G3005214	1		
G3005215	1		
G3006352	2		
G32015549	1, 2		
G3204100	1		
G4006381	2		
J2101749	1		
PA010126	2		
PA010138	3		
PA020036	2		
PA020045	2		
PA030006	1		
PA050077	2, 3, 4		
PA060044	1		
PA060083	1		
PA070005	3		
PA070006	4		
PA070007	3		
PB010163	2		
PB010209	2		
PB020151	2		
PB020153	2		