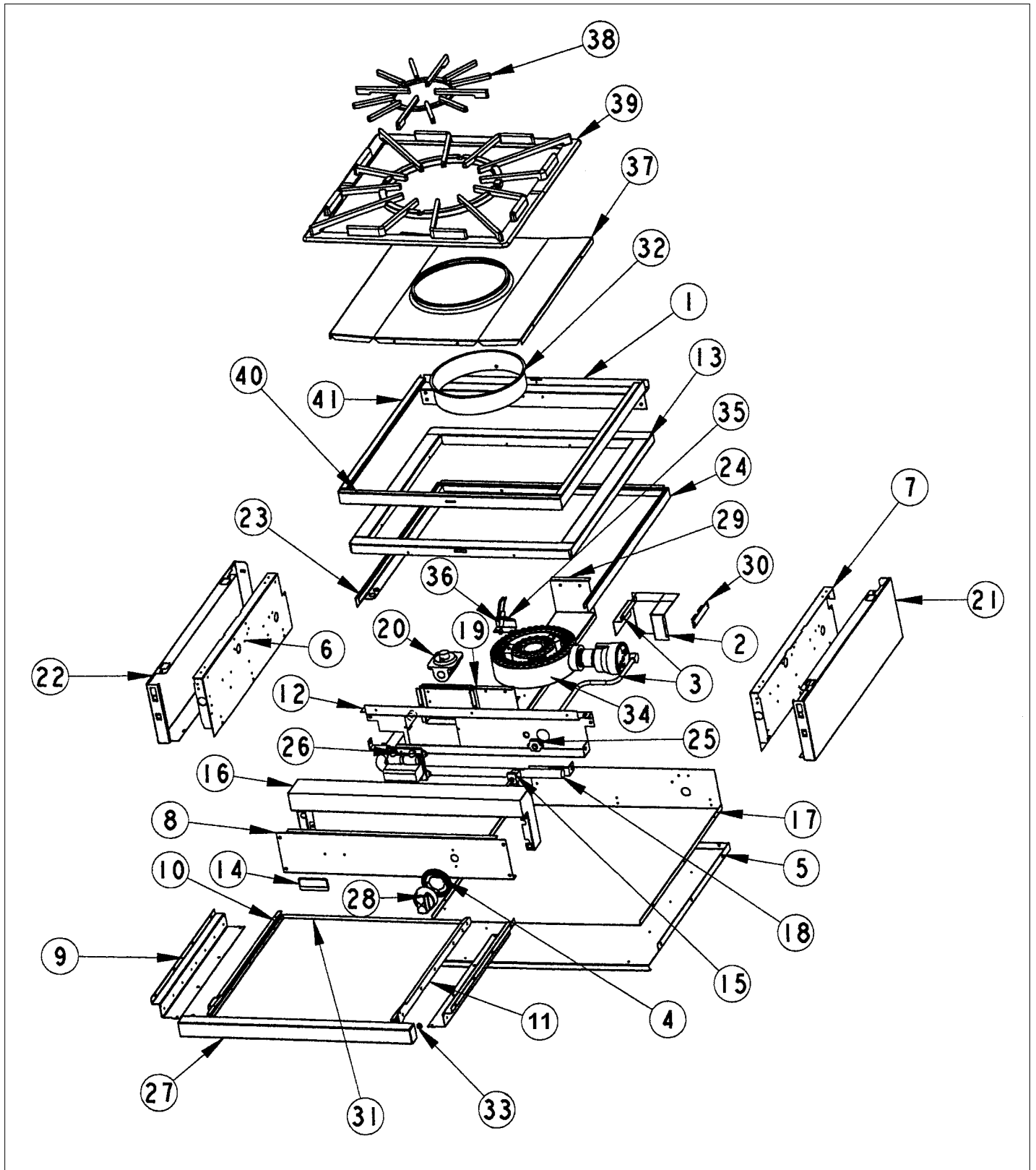


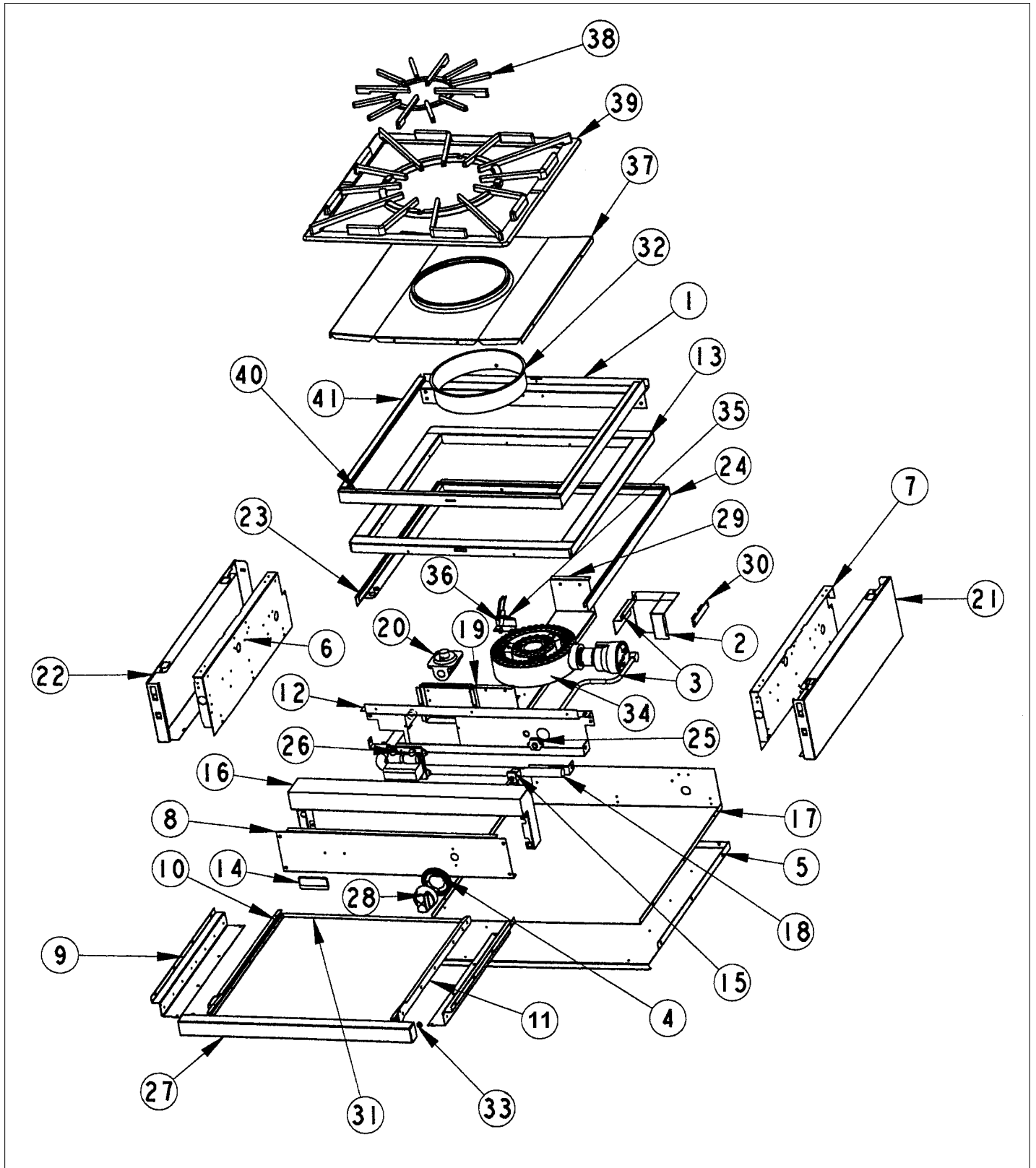
VGWT240

WOK	1
Appendix A:Pages Index	A
Appendix B:Parts Index	B

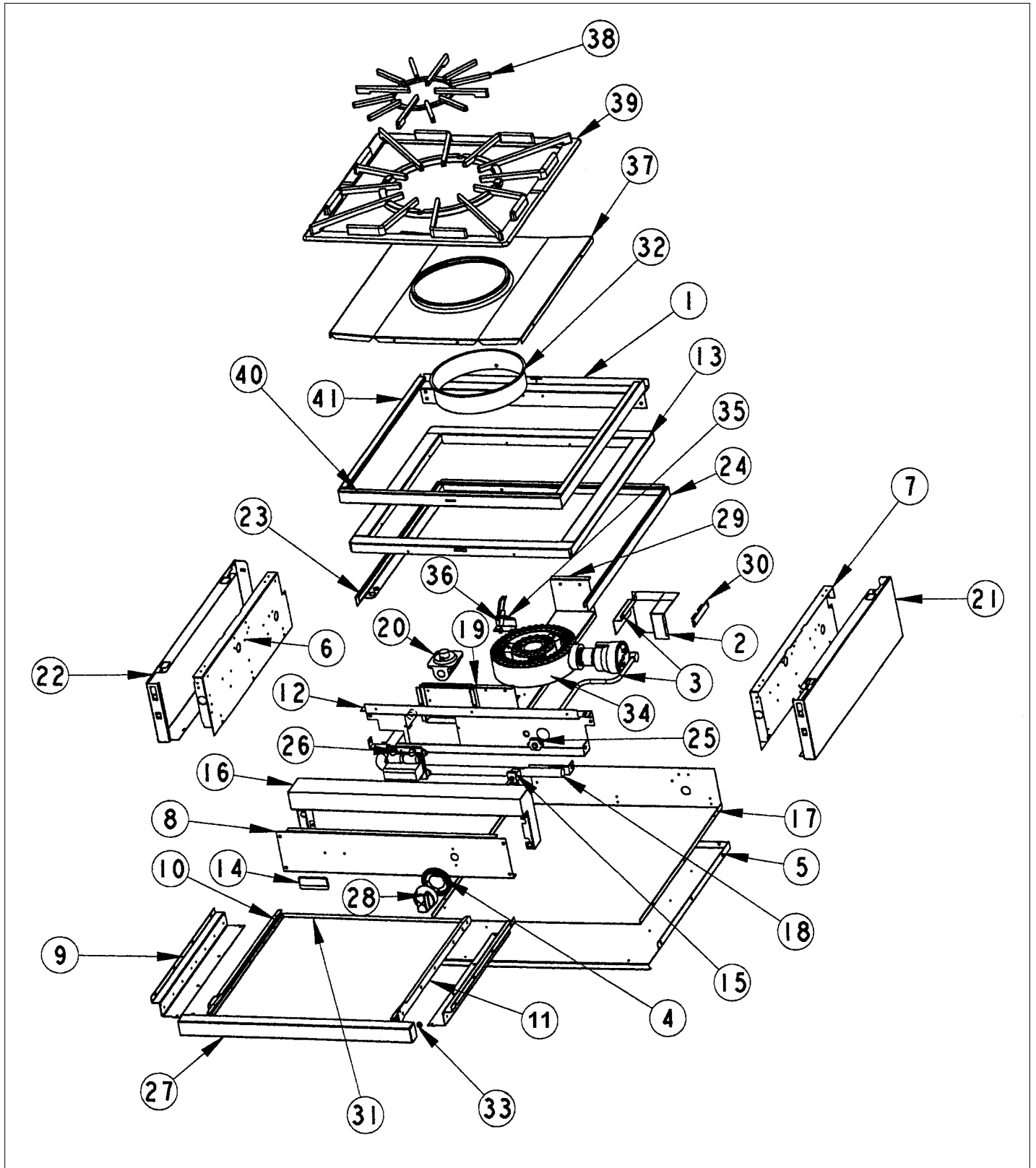




Item	Part No.	Name	Qty	Uom	NOTES
1	A2004103	REAR SUPPORT (24" WOK)	1	EA	NO LONGER AVAILABLE
2	A2004106	TERMINAL BLOCK COVER (24" WOK)	1	EA	NO LONGER AVAILABLE, Not available online / Call for pricing and availability
3	PB020113	3/8 SS FLEX TUBING - 52" T6-52	1	EA	
4	PB010128	TIMER KNOB - WHITE (VUD141)	1	EA	
Not Shown	PB010129	THERMOSTAT KNOB *BK* (VDSC)	1	EA	
5	A2002701	INSULATION PANEL (VCCGG4)	1	EA	NO LONGER AVAILABLE, Not available online / Call for pricing and availability
6	A2001912	BURNER BOX SIDE LH	1	EA	
7	A2001911	BURNER BOX SIDE RH	1	EA	
8	B9204111SS	CONTROL PANEL (24" WOK)	1	EA	
9	A2001160	DRIP TRAY GUIDE BRKT (VGRT)	1	EA	
10	PK000007	DRIP TRAY GUIDE - LH (VGRT)	1	EA	NO LONGER AVAILABLE
11	PK000008	Drip Tray Guide - RH	1	EA	NO LONGER AVAILABLE
12	A2004101	FRONT SUPPORT (24" WOK)	1	EA	NO LONGER AVAILABLE, Not available online / Call for pricing and availability
13	G9104108	GRATE SUPPORT FRAME (WELD ASSY)	1	EA	
14	PE010142	3" VIKING LOGO BLACK/CHROME	1	EA	
Not Shown	PE010143	3" LOGO BK/BR	1	EA	
15	003863-000	PA010030 VALVE AND BOLT KIT	1	EA	
Not Shown	NOTE	(FROM 11/26/01 THRU 01/03/03 AND FROM 02/16/03 THRU 01/25/05)		EA	
15	003546-000	PA010119 VALVE AND BOLT KIT	1	EA	



Item	Part No.	Name	Qty	Uom	NOTES
Not Shown	NOTE	(FROM 01/03/03 THRU 02/16/03 AND FROM 01/25/05 THRU 03/22/05)		EA	
15	003544-000	WOK VALVE	1	EA	
Not Shown	NOTE	(ON OR AFTER 03/22/05)		EA	
16	G3002719	LANDING LEDGE ASSY (VCCGG4)	1	EA	
17	A2002700	BURNER BOX BTM (VCCGG4)	1	EA	NO LONGER AVAILABLE, Not available online / Call for pricing and availability
18	PA050078	INDOOR WOK MANIFOLD	1	EA	NO LONGER AVAILABLE
19	A2004102	MODULE BOX (24" WOK)	1	EA	NO LONGER AVAILABLE, Not available online / Call for pricing and availability
20	PA070003	PRESSURE REGULATOR	1	EA	
21	B2001919	SIDE PANEL-RH (VGRT)	1	EA	
22	B2001920	SIDE PANEL-LH (VGRT)	1	EA	
23	B2001916	SIDE TRIM-LH (VGRT)	1	EA	
24	B2001915	SIDE TRIM-RH (VGRT)	1	EA	
25	PA020015	Spark Ignition Switch	1	EA	
Not Shown	NOTE	(BEFORE 03/22/05)		EA	
25	PA020045	Spark Ignition Switch	1	EA	
Not Shown	NOTE	(ON OR AFTER 03/22/05)		EA	
26	PA020037	SINGLE MODULE 120V	1	EA	
27	B3002706	DRIP TRAY HANDLE (VCCGG4)	1	EA	
Not Shown	C9302706PVD	DRIP TRAY HANDLE 24" PVD BRASS	1	EA	
28	PA010039	TOP GRILL KNOB*BK* (VGRC) (N/STYLE	1	EA	
29	A2004104	WOK BURNER SUPT (24" WOK)	1	EA	NO LONGER AVAILABLE
30	PE050001	TERMINAL BOARD	1	EA	
31	B3002708	DRIP TRAY (VCCGG4)	1	EA	





Item	Part No.	Name	Qty	Uom	NOTES
32	PB030004	GRATE SUPPORT RING (VGWT)	1	EA	
33	PD040004	GROMMET BUMPER	1	EA	
34	G3204100	WOK BURNER ASSY (24" WOK)	1	EA	
35	A2004105	SPARK IGNITOR BRKT (24" WOK)	1	EA	NO LONGER AVAILABLE, Not available online / Call for pricing and availability
36	PB040160	WOK IGNITER	1	EA	
37	B2004110	GRTATE SUTP CENTER	1	EA	
38	PA060044	CENTER GRATE (24" WOK)	1	EA	
39	008519-000	WOK GRATE (2 PIECES)	1	EA	
40	E2004497	OUTSIDE FRONT FRAME (VGWT420) NOT FIELD REPLACEABLE	1	EA	NO LONGER AVAILABLE, Not available online / Call for pricing and availability
41	G9104125	GRATE SUPPORT OUTER FRAME (WELD)	1	EA	
NI	PM010043	CARBON STEEL WOK	1	EA	
NI	PM010044	WOK LID FOR PM010043	1	EA	
NI	PE070109	POWER CORD ASSEMBLY	1	EA	Not available online / Call for pricing and availability



Appendix A:Pages Index

WOK 1



Appendix B:Parts Index

003544-000	1	PB040160	1
003546-000	1	PD040004	1
003863-000	1	PE010142	1
008519-000	1	PE010143	1
A2001160	1	PE050001	1
A2001911	1	PE070109	1
A2001912	1	PK000007	1
A2002700	1	PK000008	1
A2002701	1	PM010043	1
A2004101	1	PM010044	1
A2004102	1		
A2004103	1		
A2004104	1		
A2004105	1		
A2004106	1		
B2001915	1		
B2001916	1		
B2001919	1		
B2001920	1		
B2004110	1		
B3002706	1		
B3002708	1		
B9204111SS	1		
C9302706PVD	1		
E2004497	1		
G3002719	1		
G3204100	1		
G9104108	1		
G9104125	1		
PA010039	1		
PA020015	1		
PA020037	1		
PA020045	1		
PA050078	1		
PA060044	1		
PA070003	1		
PB010128	1		
PB010129	1		
PB020113	1		
PB030004	1		