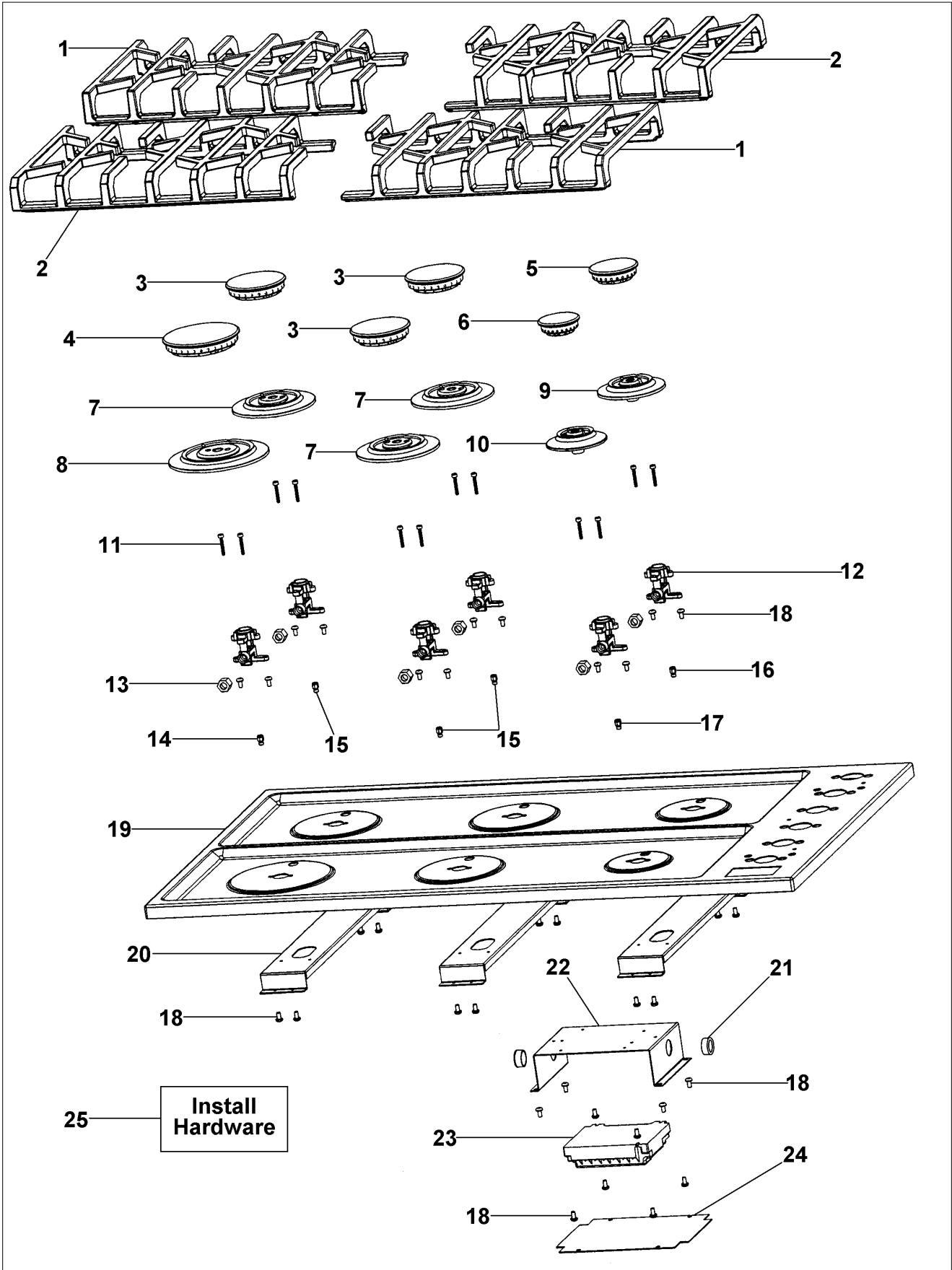


**VGSU162**

BURNER BOX ASSEMBLY .....	1
CONTROL - GAS ASSEMBLY .....	2
WIRING .....	3
Appendix A:Pages Index .....	A
Appendix B:Parts Index .....	B

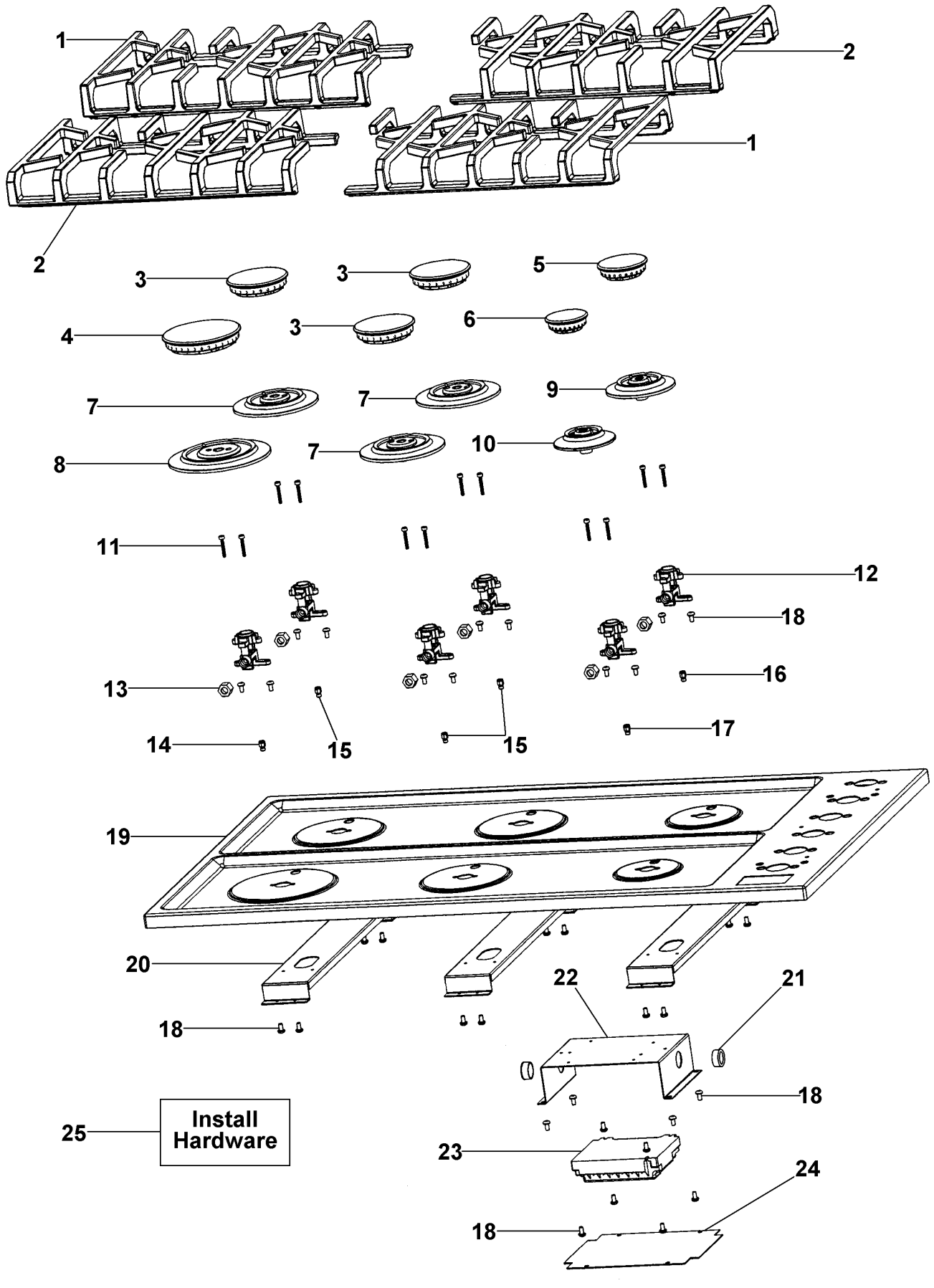


BURNER BOX ASSEMBLY



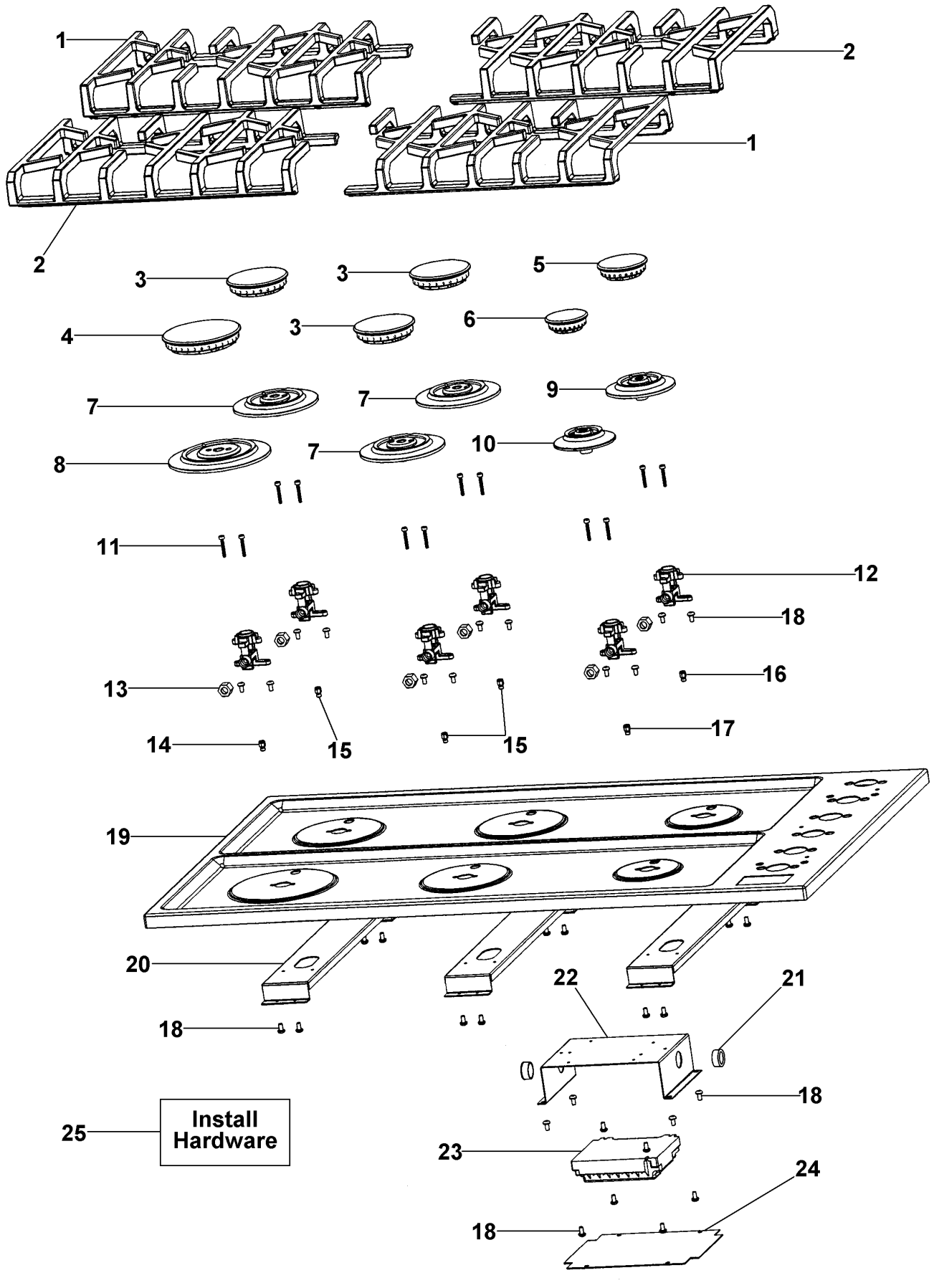


Item	Part No.	Name	Qty	Uom	NOTES
1	PA060099	VGSU162 GRATE 2	1	EA	
Not Shown	PA060117	36" GRATE 2 (GRAY)	1	EA	
NI	PD040116	Silicone Foot	10	EA	
2	PA060098	36" VGSU GRATE	1	EA	
Not Shown	PA060116	36" GRATE 1 (GRAY)	1	EA	
NI	PD040116	Silicone Foot	10	EA	
3	PA080089	Burner-12,000 BTU(Front/Rear Center, Rear Left)-BK	1	EA	
Not Shown	PA080093	Burner-12,000 BTU(Front/Rear Center, Rear Left)-GR	1	EA	
4	PA080088	Burner - 14,000 BTU (Left Front) - BK	1	EA	
Not Shown	PA080092	Burner Head - 14,000 BTU (Left Front) - GR	1	EA	
5	PA080090	Burner - 9,000 BTU (Right Rear) - BK	1	EA	
Not Shown	PA080094	Burner - 9,000 BTU (Right Rear) - GR	1	EA	
6	PA080091	Burner - 6,000 BTU (Right Front) - BK	1	EA	
Not Shown	PA080095	Burner - 6,000 BTU (Right Front) - GR	1	EA	
7	PB050070	C-BASE	1	EA	
8	PB050069	D-BASE	1	EA	
9	PB050071	B-BASE	1	EA	
10	PB050072	A-BASE	1	EA	
11	PD020159	DGSU BURNER BASE SCREW	1	EA	
12	PB050067	JETHOLDER	1	EA	
13	N/A	PART OF FLEX TUBING	1	EA	
14	PB040254	#49 NAT	1	EA	
Not Shown	PB040199	ORIFICE NO.56	1	EA	
15	PB040255	NO.52 NAT	1	EA	
Not Shown	PB040256	LP Orifice #62	1	EA	
16	PB040236	#55 NAT	1	EA	





Item	Part No.	Name	Qty	Uom	NOTES
Not Shown	PB040257	LP Orifice #66	1	EA	
17	PB040199	ORIFICE NO.56	1	EA	
Not Shown	PB040258	LP Orifice #69	1	EA	
18	PD020004	10X3/8PH.HD.TYPE 25 REPL PD040125	1	EA	
19	B21010612	36" MAIN TOP, STAINLESS STEEL	1	EA	
Not Shown	E91010612AL	VGSU162 SEALED TOP *AL*	1	EA	NO LONGER AVAILABLE, Not available online / Call for pricing and availability
Not Shown	E91010612BK	VGSU162 SEALED TOP *BK*	1	EA	
Not Shown	E91010612BT	VGSU162 SEALED TOP *BT*	1	EA	NO LONGER AVAILABLE, Not available online / Call for pricing and availability
Not Shown	E91010612CB	VGSU162 SEALED TOP *CB*	1	EA	NO LONGER AVAILABLE, Not available online / Call for pricing and availability
Not Shown	E91010612EP	36" MAIN TOP - EP	1	EA	Not available online / Call for pricing and availability
Not Shown	E91010612FG	36" MAIN TOP - FG	1	EA	Not available online / Call for pricing and availability
Not Shown	E91010612GG	36" MAIN TOP - GG	1	EA	Not available online / Call for pricing and availability
Not Shown	E91010612LE	36" MAIN TOP - LE	1	EA	Not available online / Call for pricing and availability
Not Shown	E91010612MJ	36" MAIN TOP - MJ	1	EA	Not available online / Call for pricing and availability
Not Shown	E91010612SG	VGSU162 SEALED TOP *SG*	1	EA	NO LONGER AVAILABLE, Not available online / Call for pricing and availability

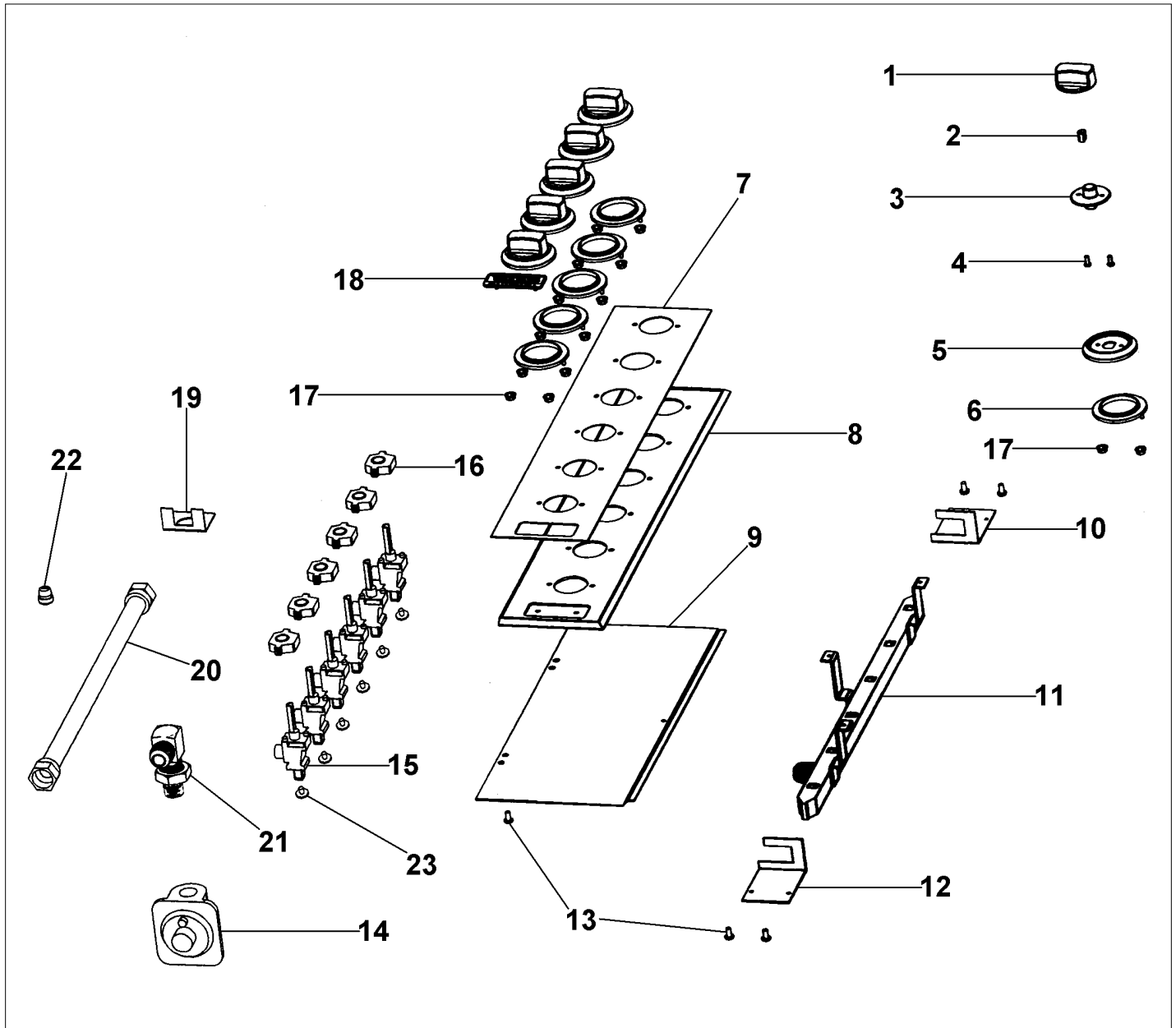






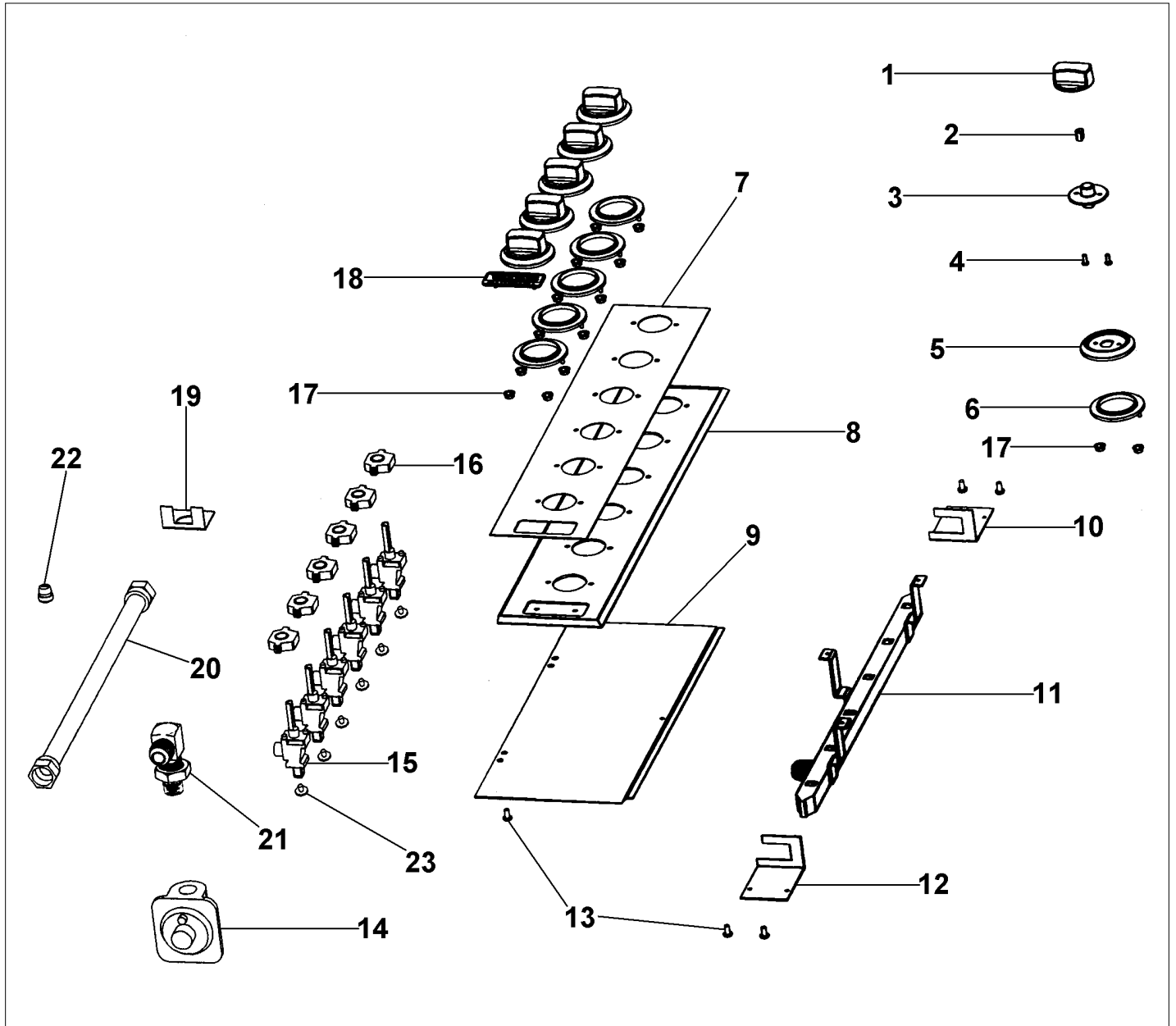
Item	Part No.	Name	Qty	Uom	NOTES
Not Shown	E91010612VB	36" MAIN TOP - VB	1	EA	Not available online / Call for pricing and availability
Not Shown	E91010612WH	VGSU162 SEALED TOP *WH*	1	EA	NO LONGER AVAILABLE
20	A20010622	JET HOLDER SUPPORT	1	EA	Not available online / Call for pricing and availability
21	PD040005	SNAP BUSHING - 7/8"	1	EA	
22	A2005717	SPARK MODULE BOX (DGCU)	1	EA	
23	PA020042	Spark Module	1	EA	
24	A1005718	MODULE COVER	1	EA	NO LONGER AVAILABLE, Not available online / Call for pricing and availability
25	A2003053	Retainer Bracket	1	EA	
Not Shown	NOTE	INSTALL HARDWARE - QTY. 2		EA	
Not Shown	PD030029	SELF RETAINING NUT (1/4-20)	1	EA	
Not Shown	NOTE	INSTALL HARDWARE - QTY. 2		EA	
Not Shown	PD010027	EYE BOLT-VGSU101/161	1	EA	
Not Shown	NOTE	INSTALL HARDWARE - QTY. 2		EA	
NI	PB070058	Cooktop Gasket	1	EA	
Not Shown	NOTE	(BETWEEN UNIT & COUNTERTOP)		EA	
NI	PB070234	GASKET (VGSU101/161)	1	EA	
Not Shown	NOTE	(BETWEEN MAIN TOP & BURNER BOX)		EA	

CONTROL - GAS ASSEMBLY





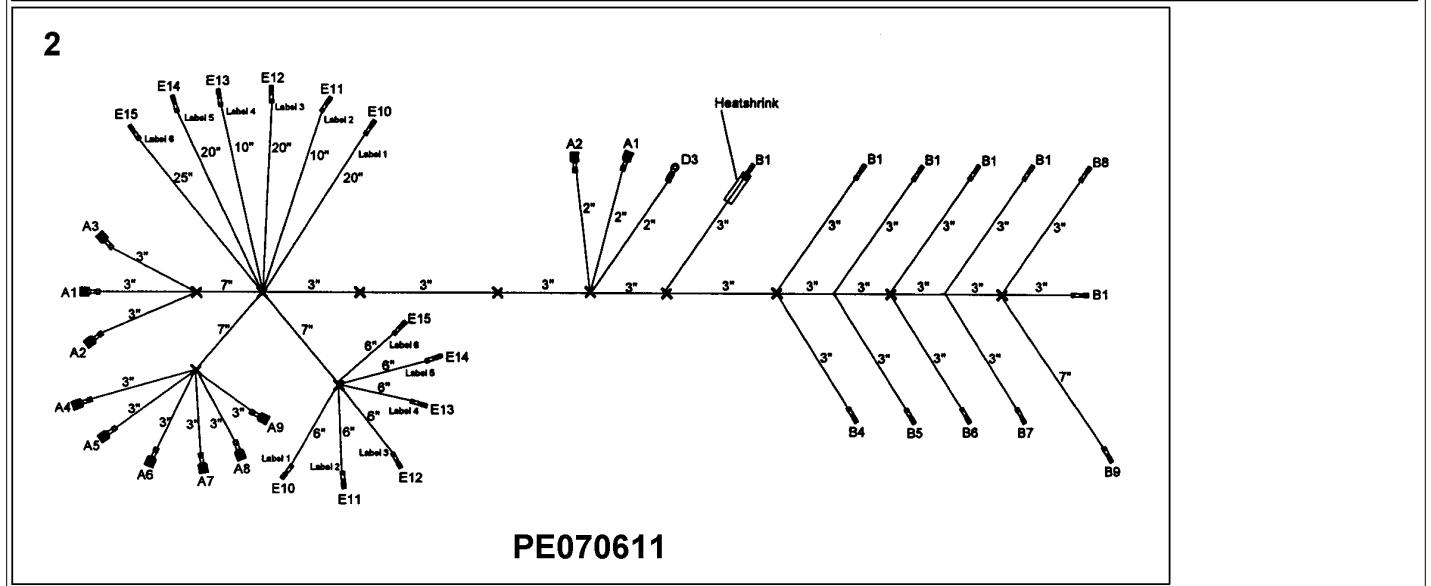
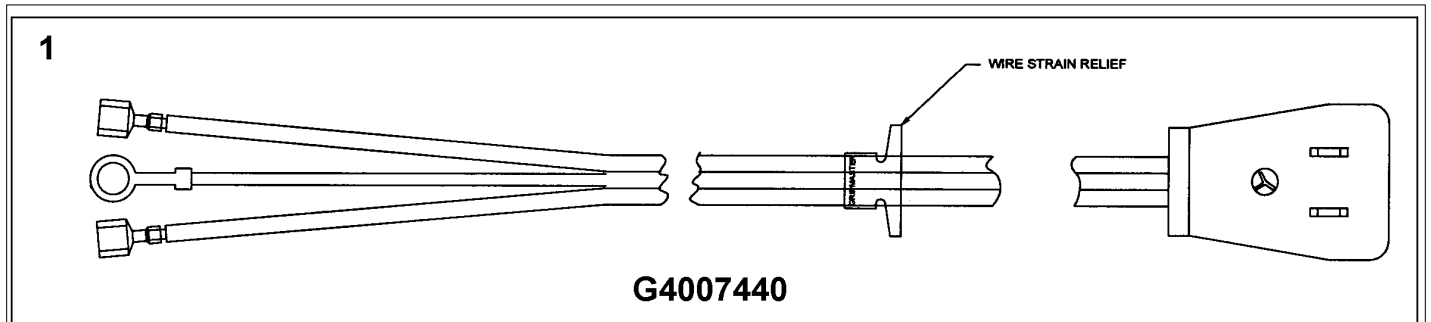
Item	Part No.	Name	Qty	Uom	NOTES
1	PA010174	COOKTOP KNOB BLACK	6	EA	
Not Shown	PA010175	COOKTOP KNOB (WHITE)	6	EA	NO LONGER AVAILABLE
2	PC010007	KNOB SPRING (GOLD CORE KNOBS)	6	EA	
3	PA010148	VGSU KNOB INSERT	6	EA	
4	PD020076	6-32 X 3/8" PHILL PAN MS	12	EA	
5	PB010263	UPPER BEZEL	6	EA	
Not Shown	PB010263PVD	UPPER BEZEL BRASS (BLACK)	6	EA	
6	PB010262	LOWER BEZEL	6	EA	
7	PE010173	36" VGSU INSERT	1	EA	
Not Shown	PE010174	36" VGSU INSERT (WH)	1	EA	
8	PE040224	VGSU162 CTRL PNL	1	EA	
Not Shown	PE040224PVD	VGSU162 CTRL PNL *PVD*	1	EA	NO LONGER AVAILABLE
9	A20010614	ACCESS COVER PLATE	1	EA	NO LONGER AVAILABLE, Not available online / Call for pricing and availability
10	A20010620	VGSU MANIFOLD BRACKET (REAR)	1	EA	NO LONGER AVAILABLE, Not available online / Call for pricing and availability
11	PA050098	36" VGSU MANIFOLD	1	EA	Not available online / Call for pricing and availability
12	A20010621	VGSU MANIFOLD BRACKET (FRONT)	1	EA	NO LONGER AVAILABLE, Not available online / Call for pricing and availability
13	PD020004	10X3/8PH.HD.TYPE 25 REPL PD040125	5	EA	
14	PA070004	Pressure Regulator (Nat.)	1	EA	
Not Shown	PA070005	PRESSURE REG.(LP) RV47L-77-10.0	6	EA	
15	003579-000	PA010217 VALVE AND BOLT KIT	6	EA	
#	PB020252	FLEX TUBE 35	1	EA	





Item	Part No.	Name	Qty	Uom	NOTES
#	PB020253	FLEX TUBE 26	1	EA	
#	PB020191	15" FLEX TUBE	1	EA	
#	PB020190	10" FLEX TUBE	1	EA	
16	PA020015	Spark Ignition Switch	6	EA	
Not Shown	NOTE	(BEFORE 08/15/07)		EA	
16	PA020045	Spark Ignition Switch	6	EA	
Not Shown	NOTE	(ON OR AFTER 08/15/07)		EA	
17	PD030006	CAPPED WASHER PAL NUT	12	EA	
18	PE010165	VIKING CHROME PLATE LOGO	1	EA	
Not Shown	PE010166	VIKING LOGO BRASS	1	EA	NO LONGER AVAILABLE
Not Shown	PE010176	2.5" WHITE CHROME LOGO	1	EA	Not available online / Call for pricing and availability
Not Shown	PE010177	2.5" WHITE BRASS LOGO	1	EA	
19	A2007840	DGSU BULKHEAD BRACKET	1	EA	NO LONGER AVAILABLE, Not available online / Call for pricing and availability
20	PB020254	5/8 FLEX TUBE 15"	1	EA	
21	PB040231	90 DEGREE BULKHEAD ELBOW W / LOCKNUT	1	EA	
22	PE070069	STRAIGHT-THRU BUSHING	1	EA	
23	PD010012	1/4 x 3/8 VALVE BOLT	1	EA	

WIRING





Item	Part No.	Name	Qty	Uom	NOTES
1	G4007440	SUPPLY CORD ASSY	1	EA	
2	PE070611	VGSU162 WIRE HARNESS	1	EA	



Appendix A:Pages Index

BURNER BOX ASSEMBLY .....	1
CONTROL - GAS ASSEMBLY .....	2
WIRING .....	3





Appendix B:Parts Index

003579-000	2	PA080092	1
A1005718	1	PA080093	1
A20010614	2	PA080094	1
A20010620	2	PA080095	1
A20010621	2	PB010262	2
A20010622	1	PB010263	2
A2003053	1	PB010263PVD	2
A2005717	1	PB020190	2
A2007840	2	PB020191	2
B21010612	1	PB020252	2
E91010612AL	1	PB020253	2
E91010612BK	1	PB020254	2
E91010612BT	1	PB040199	1, 1
E91010612CB	1	PB040231	2
E91010612EP	1	PB040236	1
E91010612FG	1	PB040254	1
E91010612GG	1	PB040255	1
E91010612LE	1	PB040256	1
E91010612MJ	1	PB040257	1
E91010612SG	1	PB040258	1
E91010612VB	1	PB050067	1
E91010612WH	1	PB050069	1
G4007440	3	PB050070	1
PA010148	2	PB050071	1
PA010174	2	PB050072	1
PA010175	2	PB070058	1
PA020015	2	PB070234	1
PA020042	1	PC010007	2
PA020045	2	PD010012	2
PA050098	2	PD010027	1
PA060098	1	PD020004	1, 2
PA060099	1	PD020076	2
PA060116	1	PD020159	1
PA060117	1	PD030006	2
PA070004	2	PD030029	1
PA070005	2	PD040005	1
PA080088	1	PD040116	1, 1
PA080089	1	PE010165	2
PA080090	1	PE010166	2
PA080091	1	PE010173	2
		PE010174	2



PE010176 .....	2
PE010177 .....	2
PE040224 .....	2
PE040224PVD .....	2
PE070069 .....	2
PE070611 .....	3