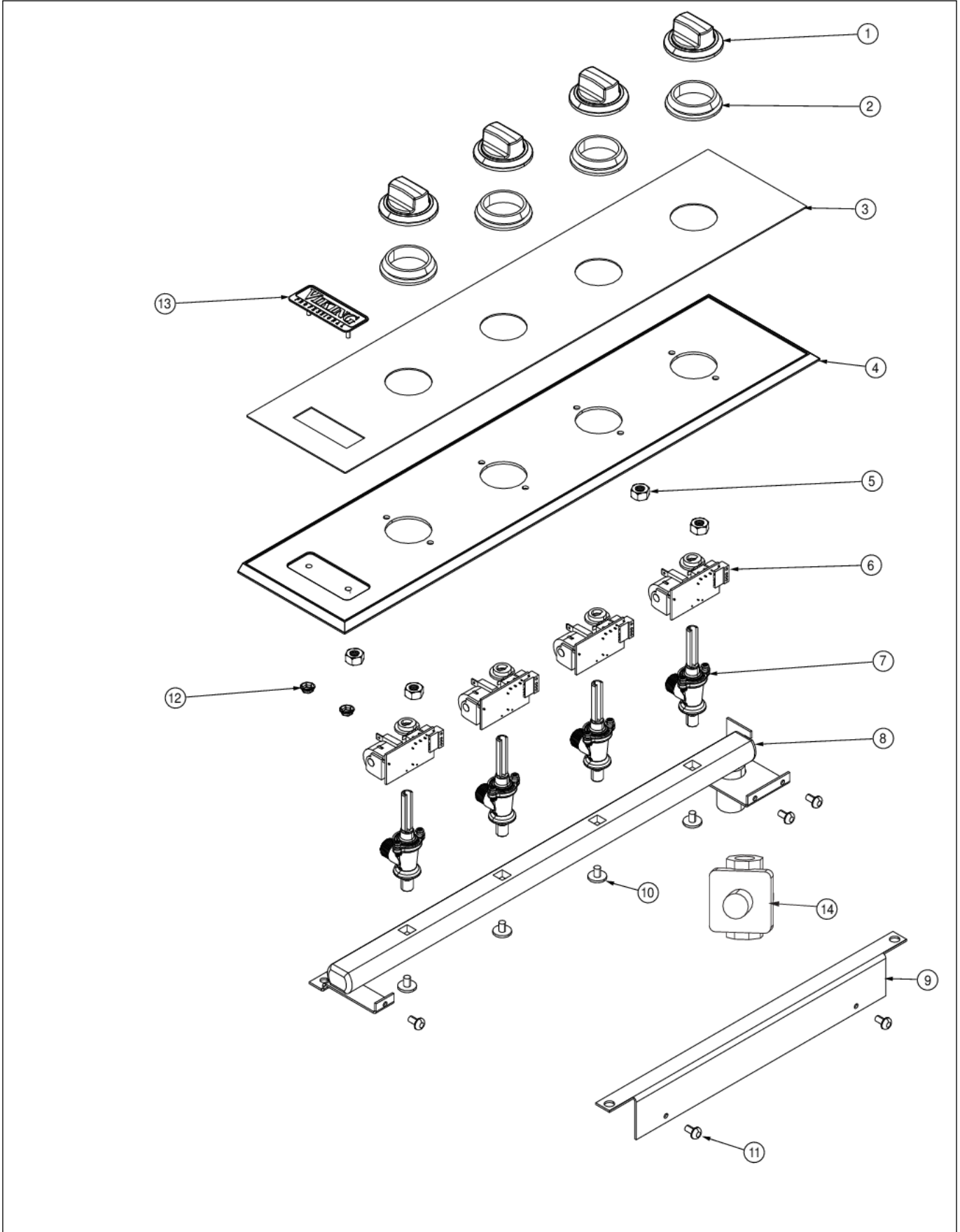


**VGSU104-4B**

CONTROL PANEL .....	1
INSIDE INTERIOR .....	2
TOP AREA .....	3
WIRING .....	4
Appendix A:Pages Index .....	A
Appendix B:Parts Index .....	B



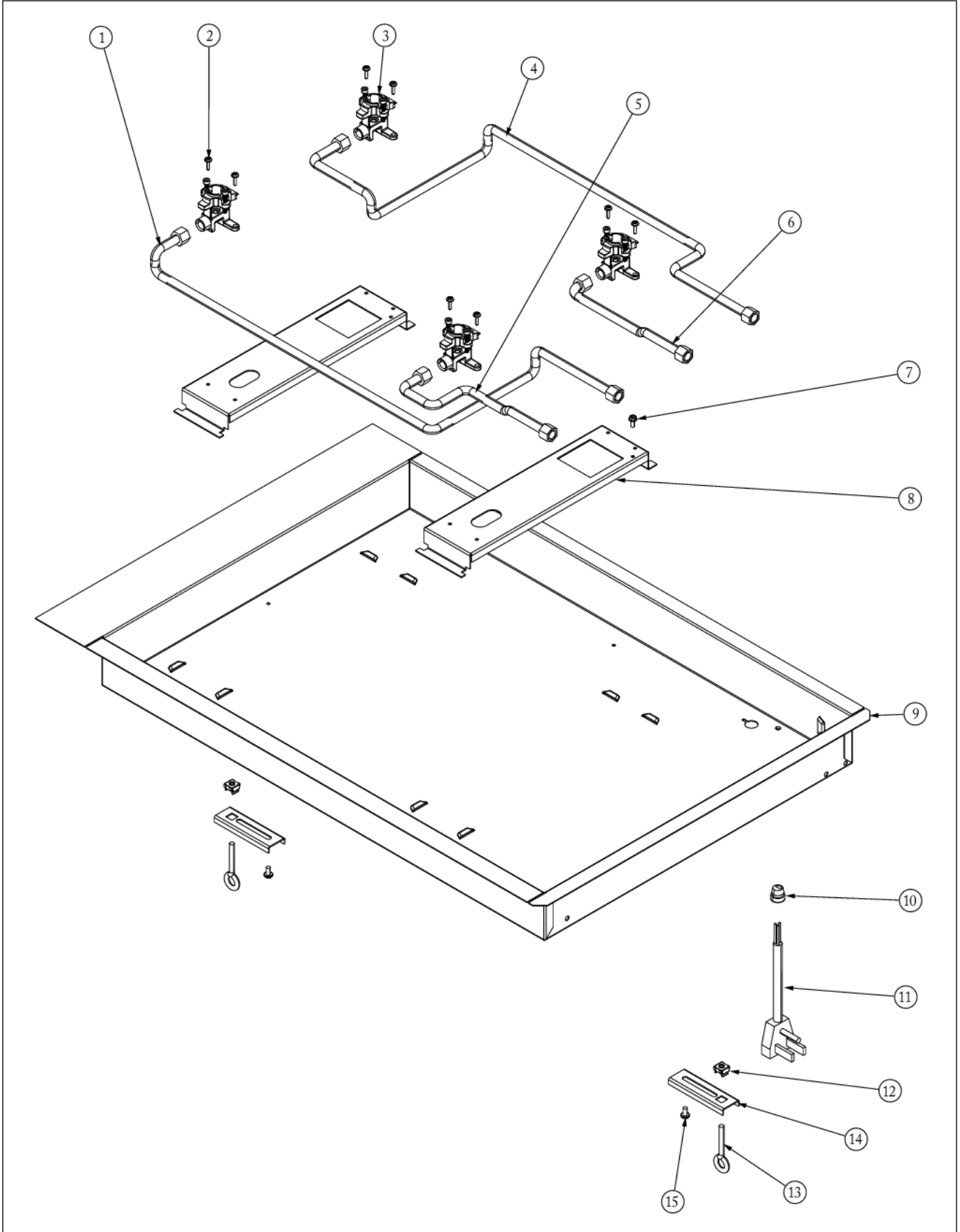
CONTROL PANEL





Item	Part No.	Name	Qty	Uom	NOTES
1	PA010221	KNOB, ASM, BLACK, VGSU	4	EA	
Not Shown	NOTE	BEFORE (10/20/11)		EA	
1	023012-000	KNOB, ASM, SS, VGSU	4	EA	
Not Shown	NOTE	FROM (10/2011) THROUGH (12/20/12)		EA	
1	036416-000	KNOB,ASSY VGSU CR3	4	EA	
Not Shown	NOTE	AFTER (12/20/12)		EA	
2	PB070320	SILICONE EXTRUSION	4	EA	
3	PE010187	30" VGSU INSERT SS/BK	1	EA	
4	PE040223	VGSU102 CTRL PNL	1	EA	
5	PD030150	5/16" NC NUT	4	EA	Not available online / Call for pricing and availability
6	015112-000	MODULE, SPK IRIS COOKTOP	4	EA	
7	003579-000	PA010217 VALVE AND BOLT KIT	4	EA	
8	013364-000	VGSU104 MANIFOLD	1	EA	
9	023762-000	BRACKET,SPRT,VGSU104	1	EA	
10	PD010012	1/4 x 3/8 VALVE BOLT	4	EA	
11	PD020004	10X3/8PH.HD.TYPE 25 REPL PD040125	5	EA	
12	PD030006	CAPPED WASHER PAL NUT	2	EA	
13	PE010191	2 1/2" VIKING LOGO BLACK/CHROME	1	EA	
14	PA070004	Pressure Regulator (Nat.)	1	EA	
14	PA070005	PRESSURE REG.(LP) RV47L-77-10.0	1	EA	

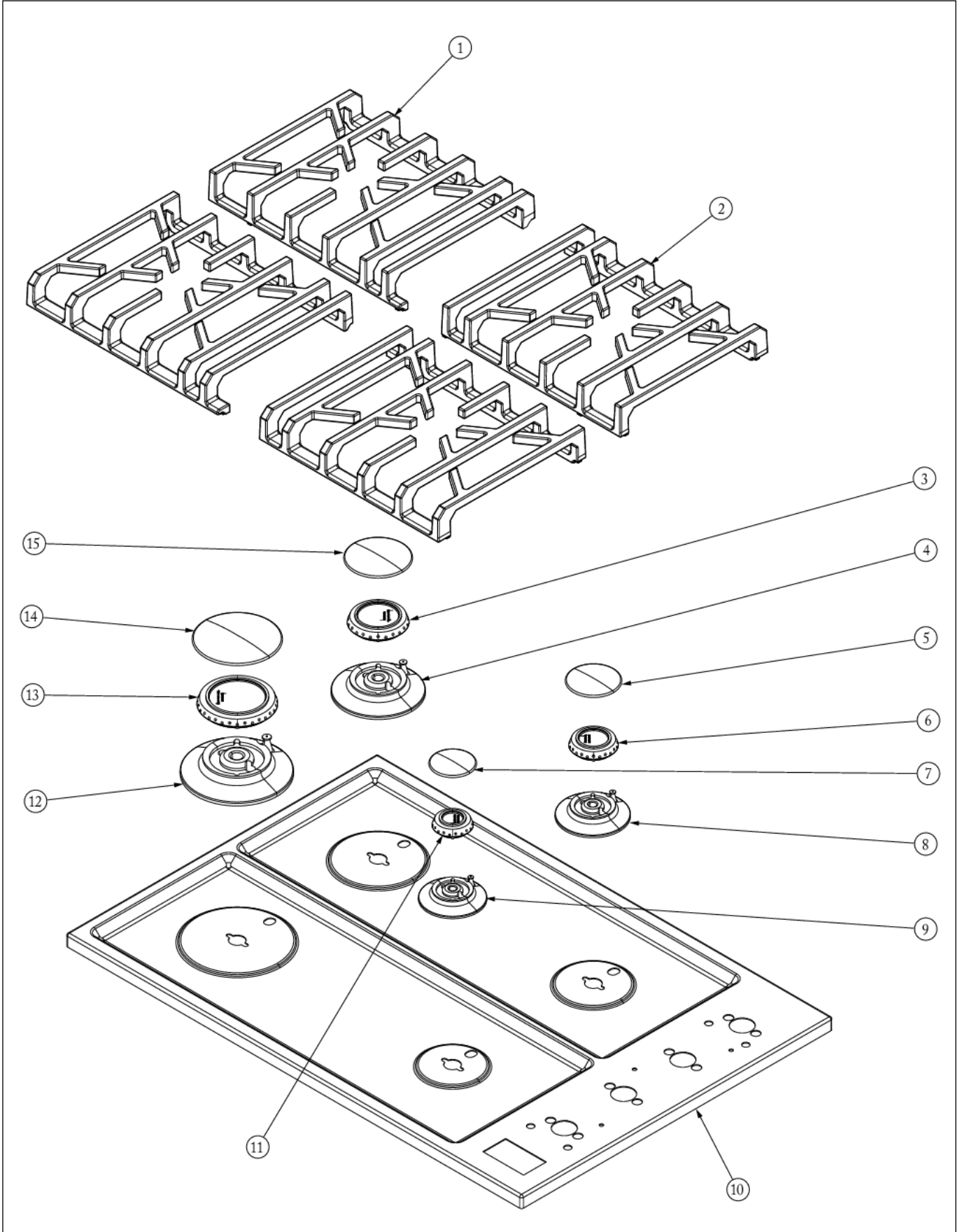
INSIDE INTERIOR





Item	Part No.	Name	Qty	Uom	NOTES
1	PB020309	VGSU30" LF 3/8" TUBE	1	EA	
2	PD020005	8 X 1/2 PH.PN.HD.SMS.	1	EA	
3	PB050067	JETHOLDER	1	EA	
4	PB020311	VGSU30" LR TUBE	1	EA	
5	PB020308	VGSU30" RF 3/8" TUBE	1	EA	
6	PB020310	VGSU30" RR TUBE	1	EA	
7	PD020010	10 X 3/8 GREEN GROUNDING SCREW	1	EA	
8	NON-SERVICEABLE	JET HOLDER SUPPORT	2	EA	
9	NON-SERVICEABLE	VGSU104 BURNER BOX	1	EA	
10	PE070069	STRAIGHT-THRU BUSHING	1	EA	
11	G4007440	SUPPLY CORD ASSY	1	EA	
12	PD030029	SELF RETAINING NUT (1/4-20)	2	EA	
13	PD010027	EYE BOLT-VGSU101/161	2	EA	
14	A2003053	Retainer Bracket	2	EA	
15	PD020004	10X3/8PH.HD.TYPE 25 REPL PD040125	2	EA	

TOP AREA

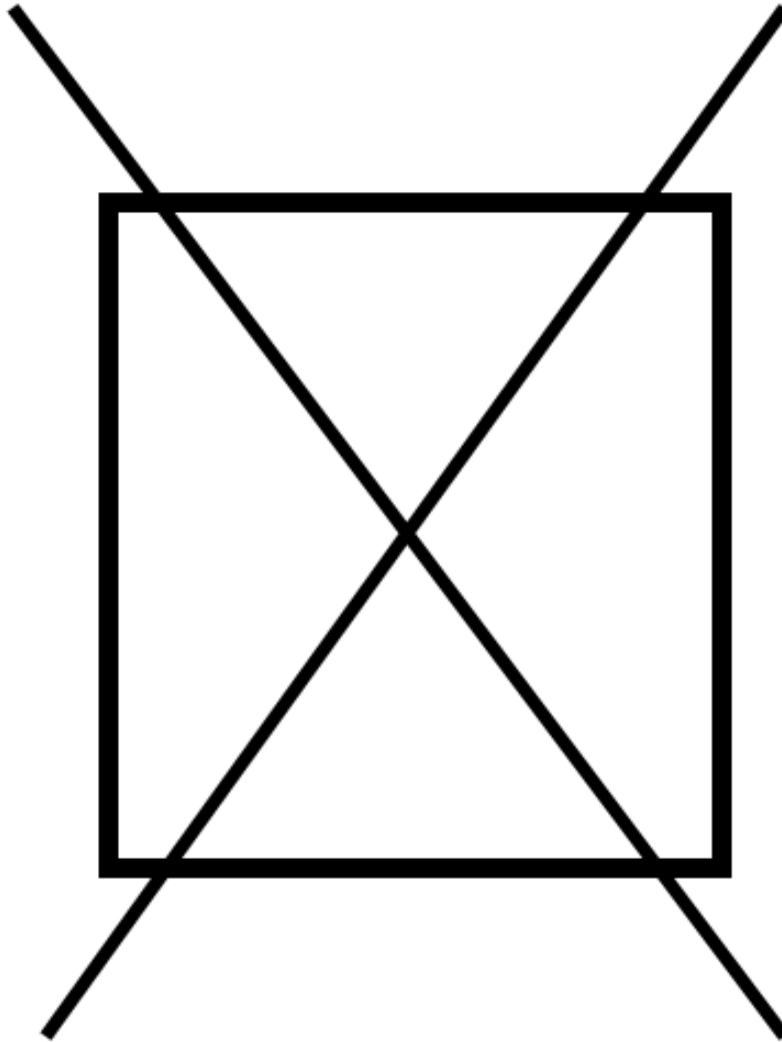






Item	Part No.	Name	Qty	Uom	NOTES
1	PA060097	VGSU102 GRATE 2	1	EA	
2	PA060096	30" VGSU GRATE	1	EA	
3	PA080101	DGRT-C COMPLETE BURNER HEAD ASSEMBLY	1	EA	
4	PB050070	C-BASE	1	EA	
5	PA080105	DGRT-B BURNER CAP- BLACK	1	EA	
6	PA080100	DGRT-B COMPLETE BURNER HEAD ASSEMBLY	1	EA	
7	PA080103	DGRT-A BURNER CAP- BLACK	1	EA	
8	PB050071	B-BASE	1	EA	
9	PB050072	A-BASE	1	EA	
10	B21010611	30" MAIN TOP	1	EA	
10	E91010611WH	VGSU102 SEALED TOP *WH*	1	EA	
10	E91010611BK	VGSU102 SEALED TOP *BK*	1	EA	Not available online / Call for pricing and availability
11	PA080099	DGRT-ACOMPLETE BURNER HEAD ASSEMBLY	1	EA	
12	PB050069	D-BASE	1	EA	
13	PA080102	DGRT-D COMPLETE BURNER HEAD ASSEMBLY	1	EA	
14	PA080083	D BURNER CAP *MATTE BLACK*	1	EA	
15	PA080107	DGRT-C BURNER CAP- BLACK	1	EA	
NI	023762-000	BRACKET,SPRT,VGSU104	1	EA	
NI	023763-000	BRACKET,SPRT	1	EA	
NI	PD020004	10X3/8PH.HD.TYPE 25 REPL PD040125	1	EA	
NI	015112-000	MODULE, SPK IRIS COOKTOP	4	EA	
NI	019955-000	SHIELD, WTR	6	EA	
NI	PB040199	ORIFICE NO.56	1	EA	
NI	PB040271	#60 LP	3	EA	

NON  
ILLUSTRATED PART





Item	Part No.	Name	Qty	Uom	NOTES
NI	023355-000	SUPPORT, ORIFICE	1	EA	
NI	PE070889	IRIS HARNESS (24"/30")	1	EA	



Appendix A:Pages Index

CONTROL PANEL .....	1
INSIDE INTERIOR .....	2
TOP AREA .....	3
WIRING .....	4



Appendix B:Parts Index

003579-000	1	PD010027	2
013364-000	1	PD020004	1, 2, 3
015112-000	1, 3	PD020005	2
019955-000	3	PD020010	2
023012-000	1	PD030006	1
023355-000	4	PD030029	2
023762-000	1, 3	PD030150	1
023763-000	3	PE010187	1
036416-000	1	PE010191	1
A2003053	2	PE040223	1
B21010611	3	PE070069	2
E91010611BK	3	PE070889	4
E91010611WH	3		
G4007440	2		
PA010221	1		
PA060096	3		
PA060097	3		
PA070004	1		
PA070005	1		
PA080083	3		
PA080099	3		
PA080100	3		
PA080101	3		
PA080102	3		
PA080103	3		
PA080105	3		
PA080107	3		
PB020308	2		
PB020309	2		
PB020310	2		
PB020311	2		
PB040199	3		
PB040271	3		
PB050067	2		
PB050069	3		
PB050070	3		
PB050071	3		
PB050072	3		
PB070320	1		
PD010012	1		