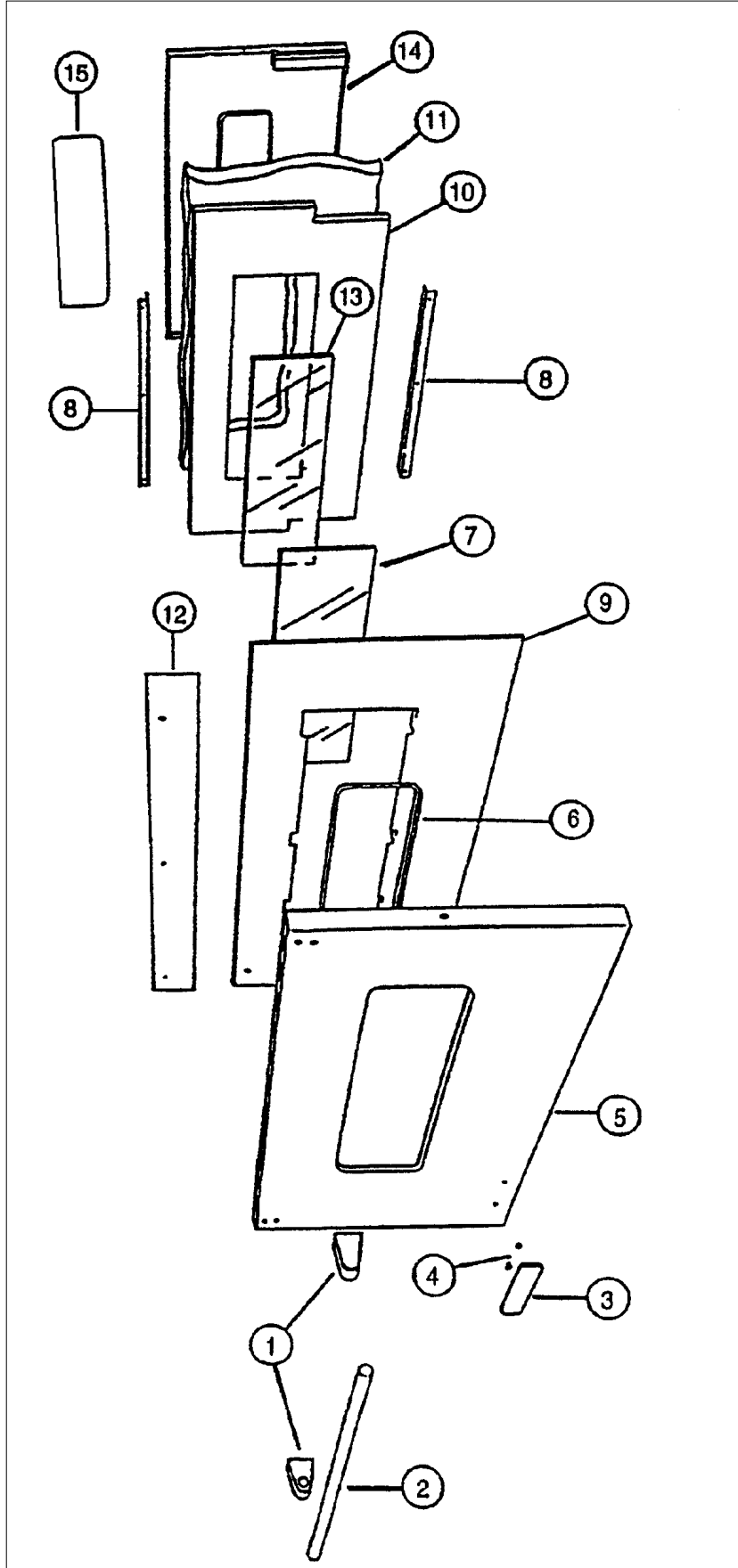


**VGS0165**

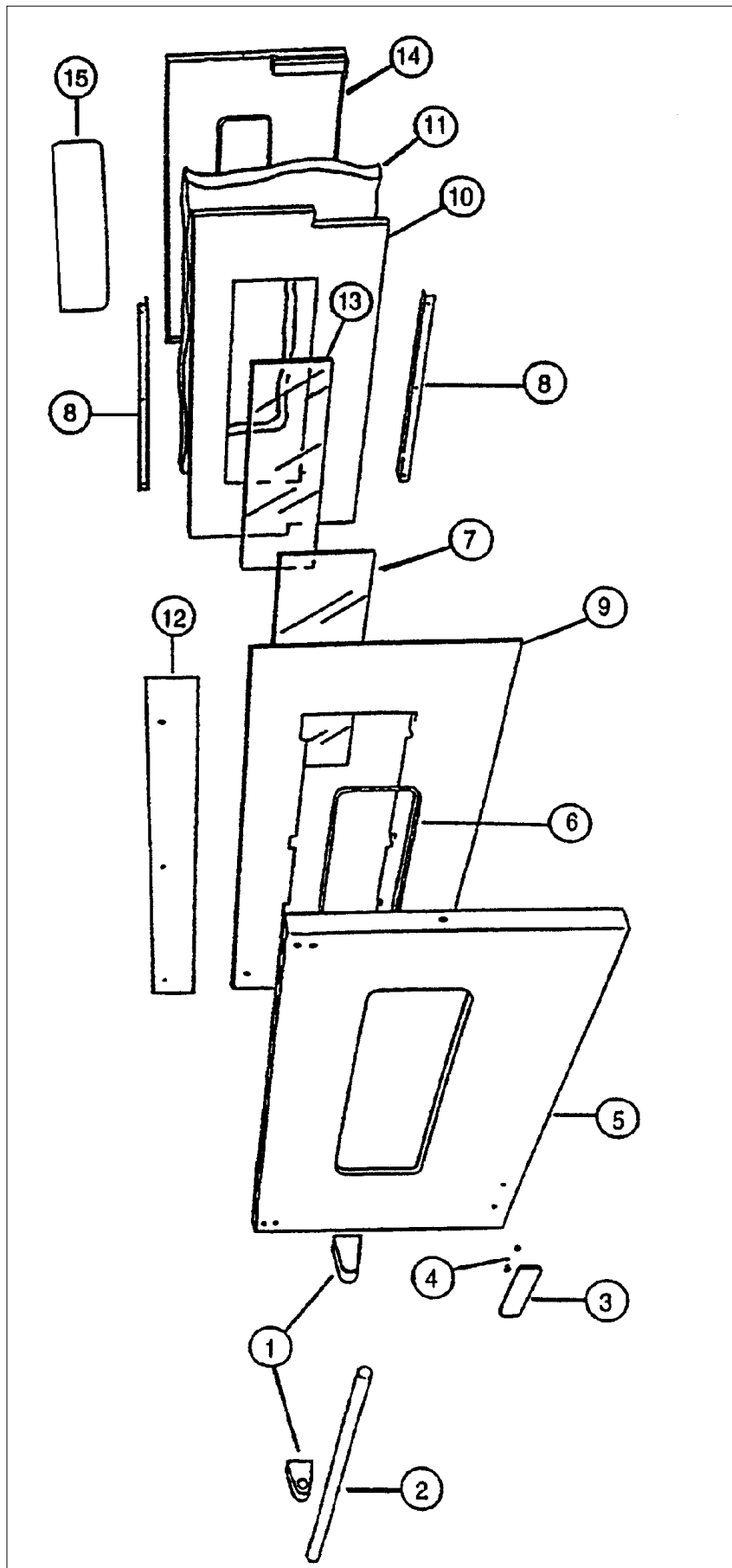
DOOR ASSY .....	1
VIEW 1 .....	2
VIEW 2 .....	3
Appendix A:Pages Index .....	A
Appendix B:Parts Index .....	B







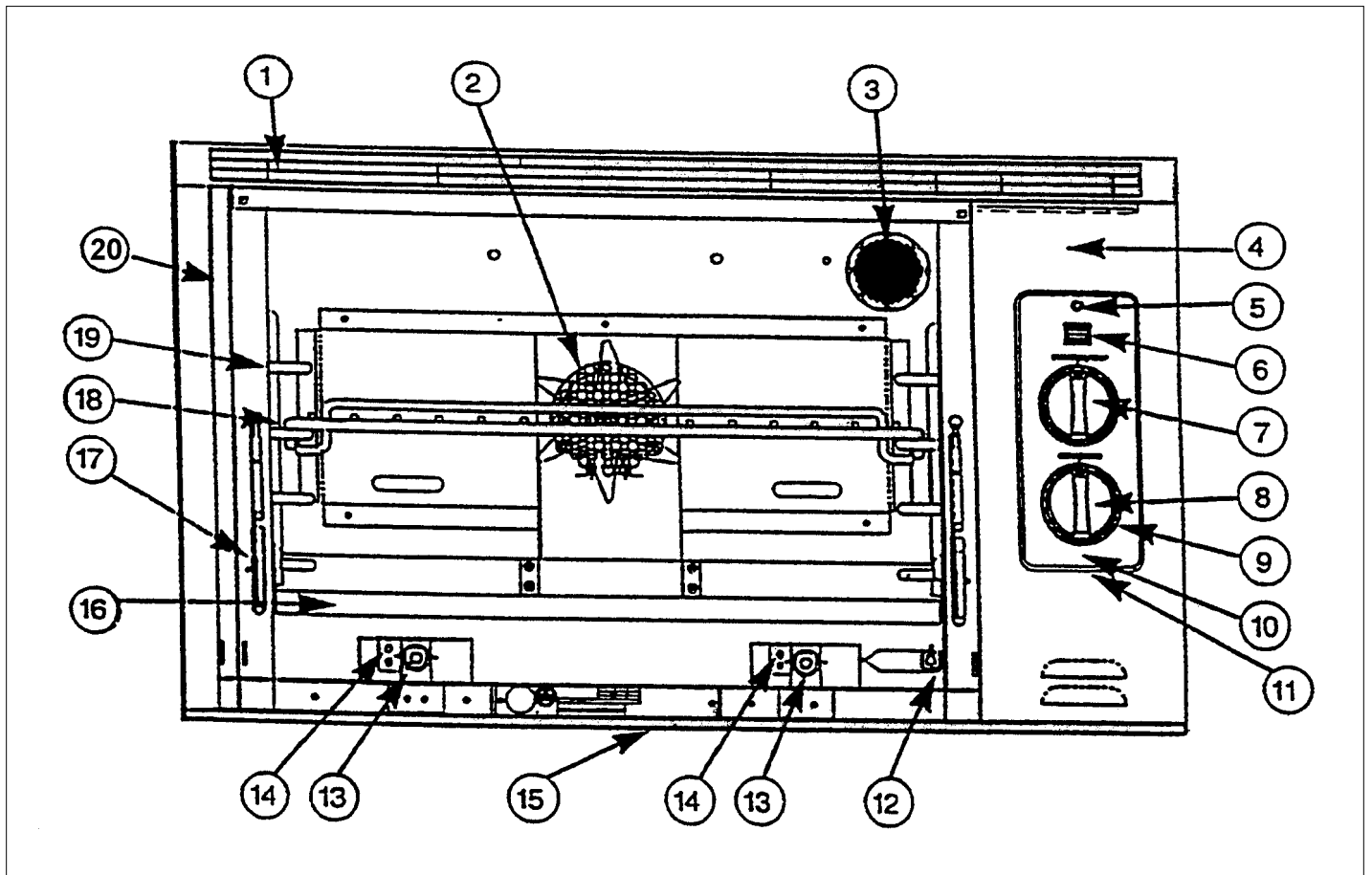
Item	Part No.	Name	Qty	Uom	NOTES
1	000268-000	HANDLE ENDCAP	1	EA	
Not Shown	PE030001PVD	END CAP DOOR HANDLE *BR	1	EA	
2	PE030005	DOOR HANDLE - VGSC30/RC60/RC48RH	1	EA	
PE030013	PE030013PVD	DOOR HANDLE (36") PVD - NLA	1	EA	NO LONGER AVAILABLE
3	PE010016	LOGO (ALL RANGES) *BK/CHR 307997W	1	EA	
Not Shown	PE010017	LOGO (VGSO,VEDO,VGDO,VUD) *WH/CHR	1	EA	
Not Shown	PE010079	4.5" LOGO/VIKING PROF *BK/BR	1	EA	
Not Shown	PE010080	4.5" LOGO/VIKING PROF *WH/BR	1	EA	
4	PD030006	CAPPED WASHER PAL NUT	1	EA	
5	B2000801	OVEN DOOR PANEL - 36" BUILT-IN OVEN	1	EA	Not available online / Call for pricing and availability
Not Shown	C9000801AL	OVEN DR PANEL - *AL* 36" B-IN	1	EA	NO LONGER AVAILABLE, Not available online / Call for pricing and availability
Not Shown	C9000801BK	OVEN DR PANEL - *BK* 36" B-IN	1	EA	NO LONGER AVAILABLE, Not available online / Call for pricing and availability
Not Shown	C9000801BU	OVEN DR PANEL - *BU* 36" B-IN	1	EA	NO LONGER AVAILABLE, Not available online / Call for pricing and availability
Not Shown	C9000801FG	OVEN DR PANEL - *FG* 36" B-IN	1	EA	NO LONGER AVAILABLE, Not available online / Call for pricing and availability
Not Shown	C9000801PL	OVEN DR PANEL - *PL* 36" B-IN	1	EA	NO LONGER AVAILABLE, Not available online / Call for pricing and availability





Item	Part No.	Name	Qty	Uom	NOTES
Not Shown	C9000801VB	OVEN DR PANEL - *VB* 36" B-IN	1	EA	NO LONGER AVAILABLE, Not available online / Call for pricing and availability
Not Shown	C9000801WH	OVEN DR PANEL - *WH* 36" B-IN	1	EA	NO LONGER AVAILABLE, Not available online / Call for pricing and availability
6	PE060007	J-MOLD (1" RADIUS)	1	EA	
Not Shown	PE060020	J-MOLD (VGSO OVN DOOR) *BR*	1	EA	
7	PE060009	SUB TO PE060008 - GLASS	1	EA	NO LONGER AVAILABLE, Not available online / Call for pricing and availability
8	A2000962	DOOR GLASS RETAINER - 36" BUILT-IN	1	EA	
9	A1000846	DOOR HEAT SHIELD	1	EA	Not available online / Call for pricing and availability
10	A2000828	DOOR INSULATION RETAINER - 36" B-IN	1	EA	NO LONGER AVAILABLE, Not available online / Call for pricing and availability
11	PB070034	INSULATION-TRS-10 1" X 20" X 77' ROLL	1	EA	
12	A2000827	DOOR AIR BAFFLE - 36" BUILT-IN OVEN	1	EA	NO LONGER AVAILABLE, Not available online / Call for pricing and availability
13	PE060008	GLASS REPL PE060009	1	EA	
14	G9100874	SUB TO H9101271 - DOOR LINER	1	EA	NO LONGER AVAILABLE, Not available online / Call for pricing and availability
Not Shown	H9101271	OVEN DR LINER REPL G9100874 VGSO165	1	EA	NO LONGER AVAILABLE
15	PB070014	DOOR GLASS SEAL STRIP - WINDOW DRS.	1	EA	

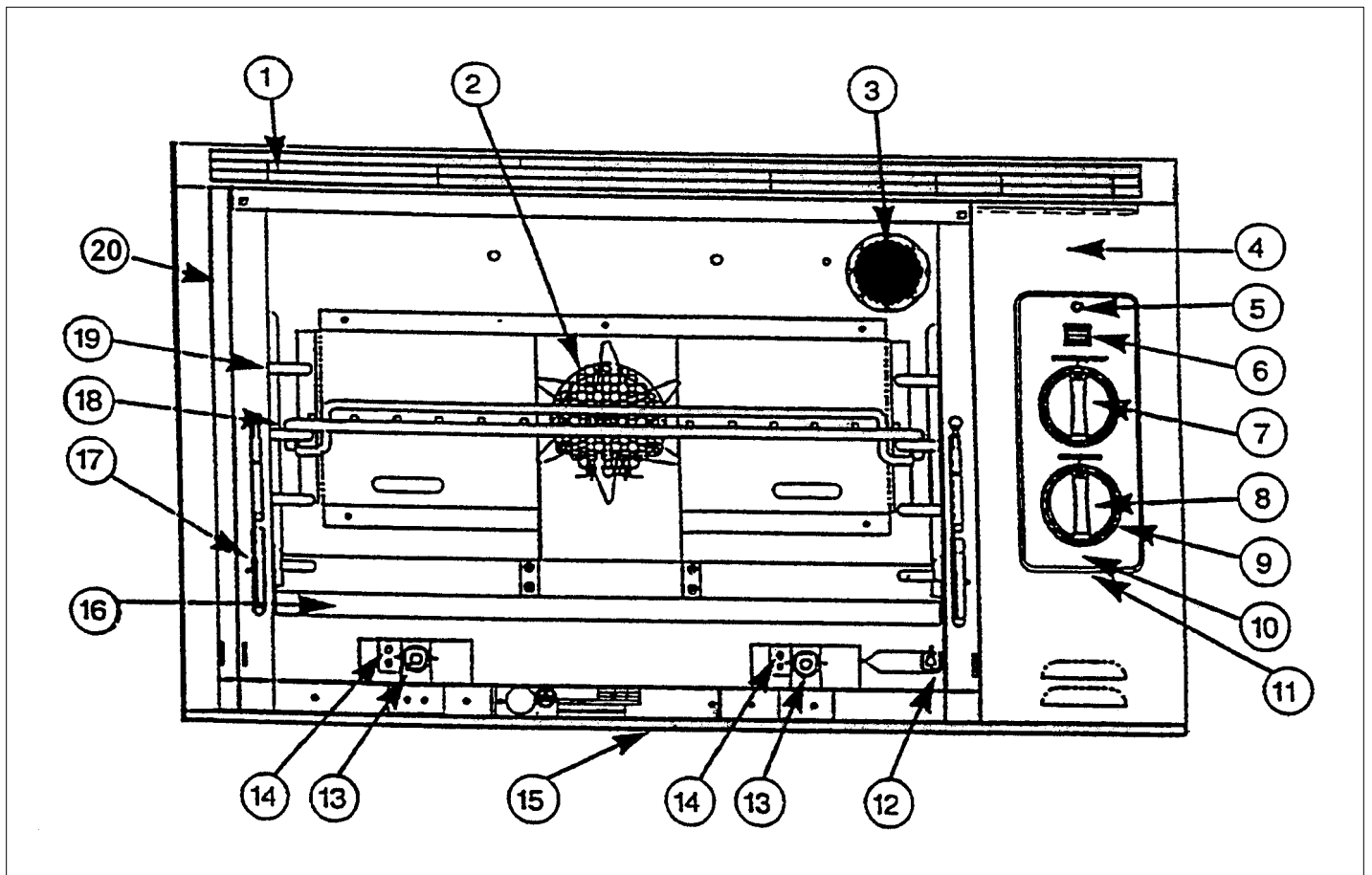
VIEW 1





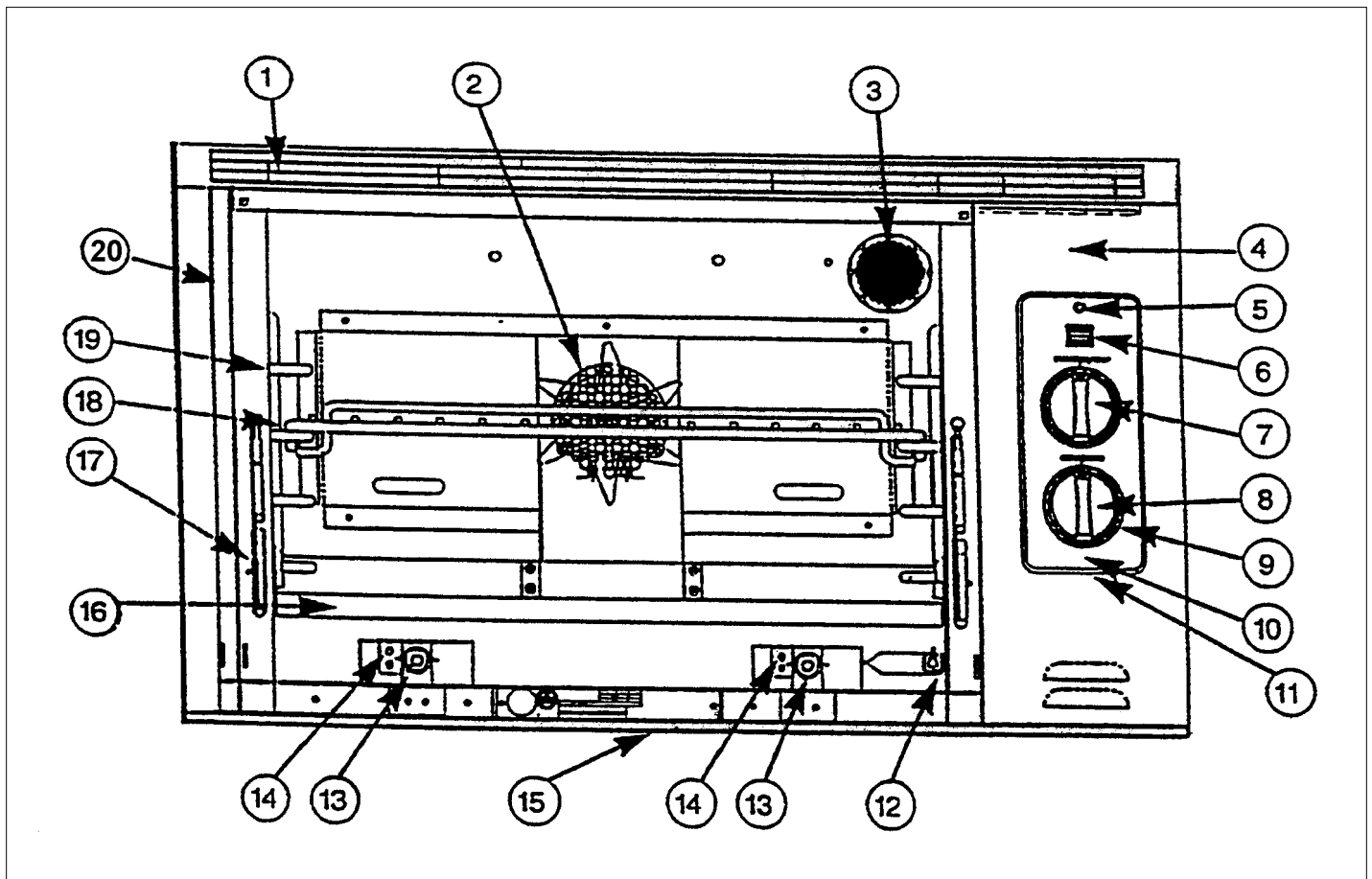


Item	Part No.	Name	Qty	Uom	NOTES
1	G3000859	TOP TRIM ASSY. (VGSO165)		EA	NO LONGER AVAILABLE
Not Shown	PE040011	TOP TRIM - VGSO165		EA	
2	G9100961	CONVECTION FAN COVER ASSY. - 36"B-I		EA	NO LONGER AVAILABLE, Not available online / Call for pricing and availability
3	PE050003	OVEN LIGHT BULB		EA	Not available online / Call for pricing and availability
4	B2000831	CONTROL PANEL TRIM		EA	NO LONGER AVAILABLE, Not available online / Call for pricing and availability
Not Shown	B2001085	CONTROL PANEL TRIM (VGSO) FORMED		EA	NO LONGER AVAILABLE, Not available online / Call for pricing and availability
Not Shown	C9000831BK	CTRL PAN TRIM - *BK* 36" B-IN		EA	NO LONGER AVAILABLE, Not available online / Call for pricing and availability
Not Shown	C9000831WH	CTRL PAN TRIM - *WH* 36" B-IN		EA	NO LONGER AVAILABLE, Not available online / Call for pricing and availability
Not Shown	C9001085AL	CTRL PAN TRIM *AL* (VGSO165)		EA	NO LONGER AVAILABLE, Not available online / Call for pricing and availability
Not Shown	C9001085BK	CTRL PAN TRIM *BK* (VGSO165)		EA	
Not Shown	C9001085BU	CTRL PAN TRIM *BU* (VGSO165)		EA	NO LONGER AVAILABLE, Not available online / Call for pricing and availability
Not Shown	C9001085FG	CTRL PAN TRIM *FG* (VGSO165)		EA	NO LONGER AVAILABLE, Not available online / Call for pricing and availability



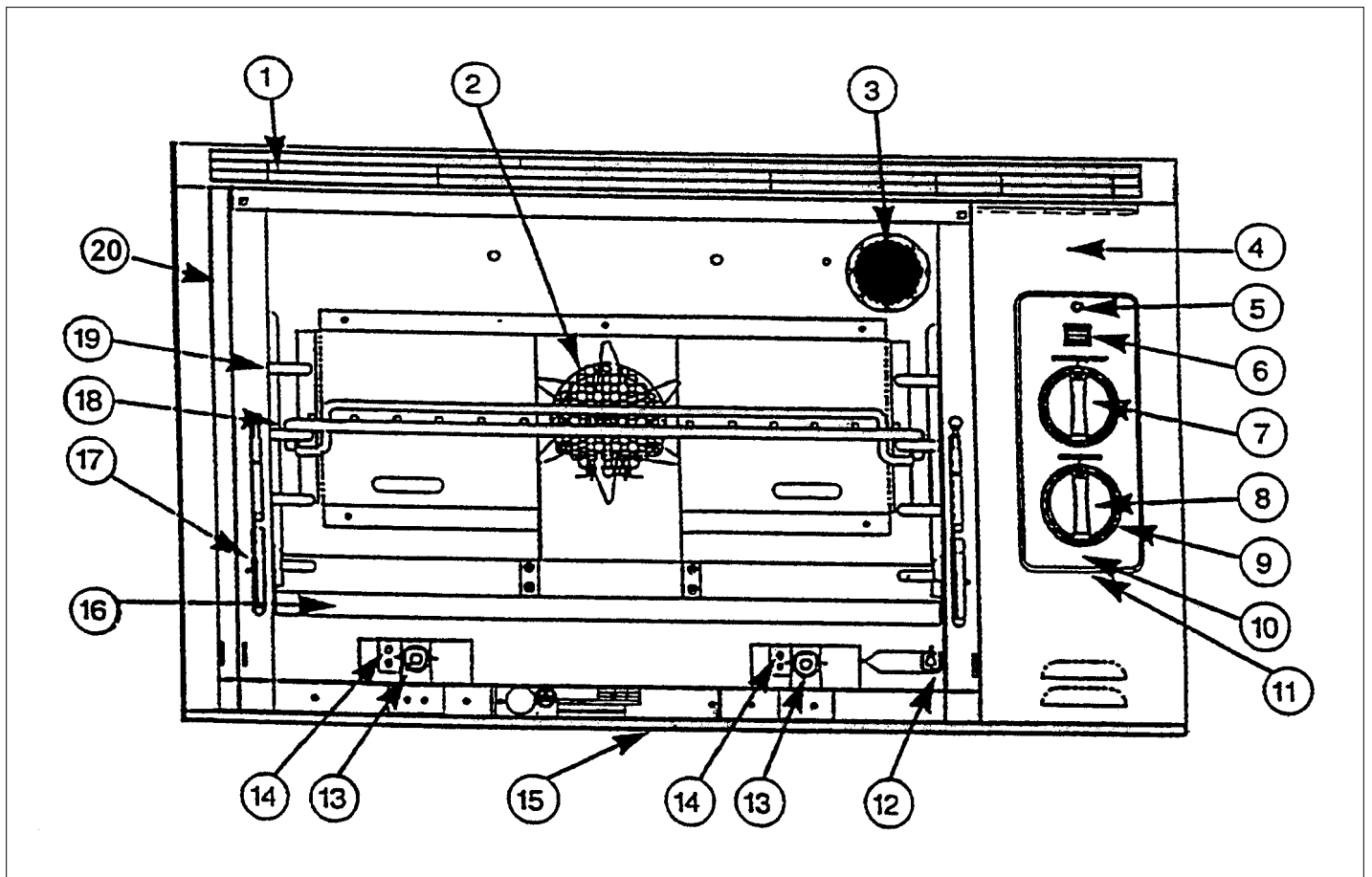


Item	Part No.	Name	Qty	Uom	NOTES
Not Shown	C9001085PL	CTRL PAN TRIM *PL* (VGSO165)		EA	NO LONGER AVAILABLE, Not available online / Call for pricing and availability
Not Shown	C9001085VB	CTRL PAN TRIM *VB* (VGSO165)		EA	NO LONGER AVAILABLE, Not available online / Call for pricing and availability
Not Shown	C9001085WH	CTRL PAN TRIM *WH* (VGSO165)		EA	NO LONGER AVAILABLE, Not available online / Call for pricing and availability
5	004340-000	INDICATOR LIGHT KITá		EA	NO LONGER AVAILABLE
6	PE050016	OVEN LIGHT SWITCH - *BK* (WES-GAR)		EA	
Not Shown	PE050017	OVEN LIGHT SWITCH - *WH* (WES-GAR)		EA	
7	PB010093	T/STAT BAK/BROL KNB-*BK*-VGSO-(VELO)		EA	
Not Shown	PB010094	T/STAT BAK/BROL KNB-*WH*-VGSO-(VELO)		EA	
8	PB010097	CONVECTION KNOB-*BK*-VGSO-(VELOX)		EA	
Not Shown	PB010098	CONVECTION FAN KNOB - WH		EA	Not available online / Call for pricing and availability
9	PB010032	KNOB BEZEL		EA	
Not Shown	PB010085	KNOB BEZEL		EA	NO LONGER AVAILABLE
10	B9200849	CONTROL PANEL-(VGSO) *SLK SCR*		EA	
11	PE060010	J-MOLD - 1/2" RAD. VGSO CNTL.PANEL		EA	
Not Shown	PE060019	J-MOLD (CONTROL PNL TRIM) *BR*		EA	NO LONGER AVAILABLE
12	003862-000	SHUTOFF VALVE (PB030002 VALVE AND BOLT KIT)		EA	
13	PB050007	OVEN TUBE BURNER		EA	
14	PB040001	Igniter		EA	





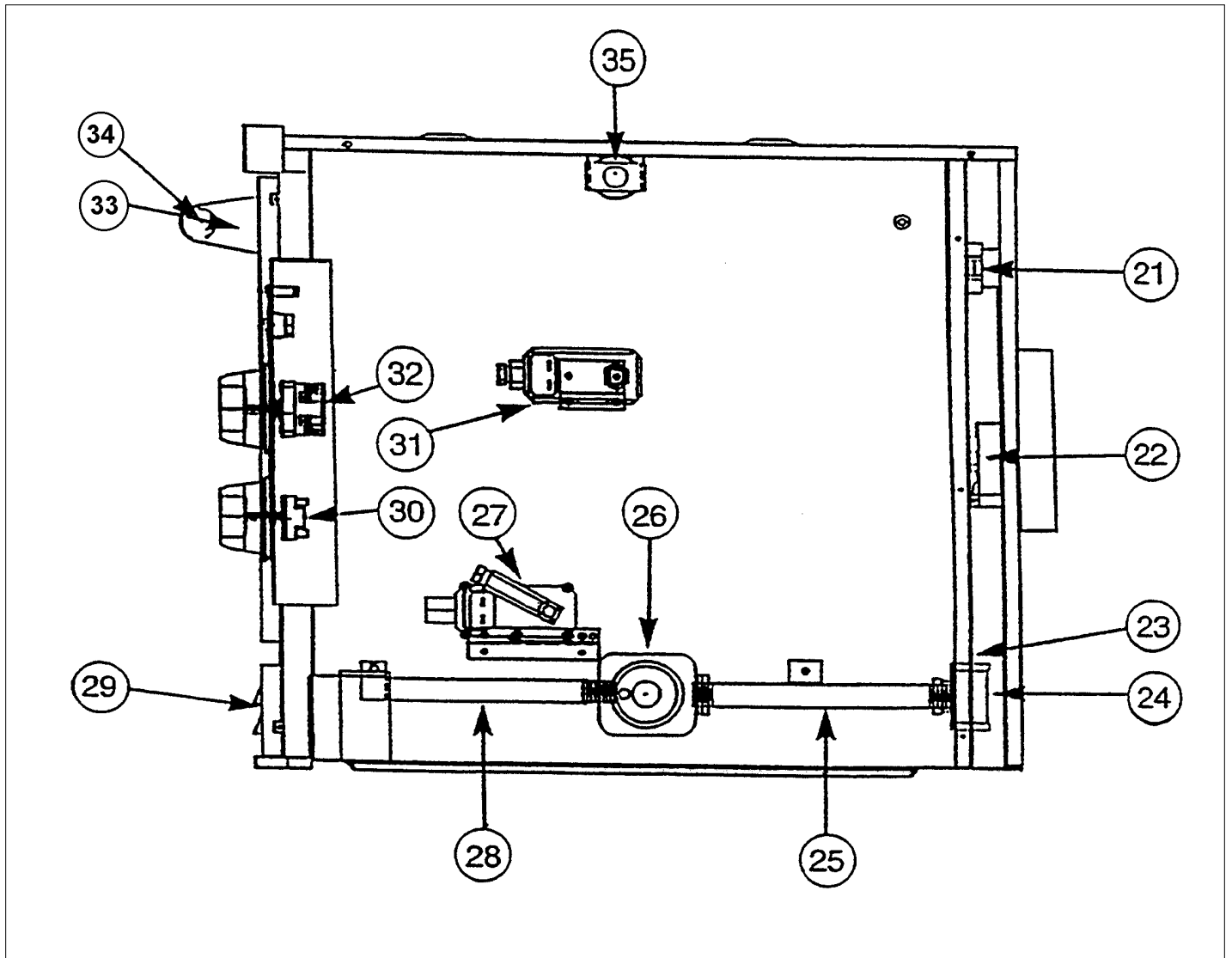
Item	Part No.	Name	Qty	Uom	NOTES
15	B2000806	BOTTOM TRIM - 36" B-IN FORMED		EA	NO LONGER AVAILABLE, Not available online / Call for pricing and availability
Not Shown	PE040013	BTM TRIM - VGSO165		EA	NO LONGER AVAILABLE
16	G9101618	OVEN BTM.PAN ASSY REVISED(VGSO165)		EA	
17	PC020003	HINGE ASSY (BLUE)		EA	
18	PB060038	RACK REPL PB060011		EA	
19	PB060006	OVEN RACK SUPT - 36" WALL OVEN		EA	
20	B2001454	SIDE TRIM REPL B2001082		EA	NO LONGER AVAILABLE, Not available online / Call for pricing and availability
Not Shown	C9001454AL	SIDE TRIM - *AL* (VGSO165)		EA	NO LONGER AVAILABLE, Not available online / Call for pricing and availability
Not Shown	C9001454BK	SIDE TRIM - *BK* (VGSO165)		EA	NO LONGER AVAILABLE, Not available online / Call for pricing and availability
Not Shown	C9001454BU	SIDE TRIM - *BU* (VGSO165)		EA	NO LONGER AVAILABLE, Not available online / Call for pricing and availability
Not Shown	C9001454FG	SIDE TRIM - *FG* (VGSO165)		EA	NO LONGER AVAILABLE, Not available online / Call for pricing and availability
Not Shown	C9001454PL	SIDE TRIM - *PL* (VGSO165)		EA	NO LONGER AVAILABLE, Not available online / Call for pricing and availability
Not Shown	C9001454VB	SIDE TRIM - *VB* (VGSO165)		EA	NO LONGER AVAILABLE, Not available online / Call for pricing and availability





Item	Part No.	Name	Qty	Uom	NOTES
Not Shown	C9001454WH	SIDE TRIM - *WH* (VGSO165)		EA	NO LONGER AVAILABLE, Not available online / Call for pricing and availability

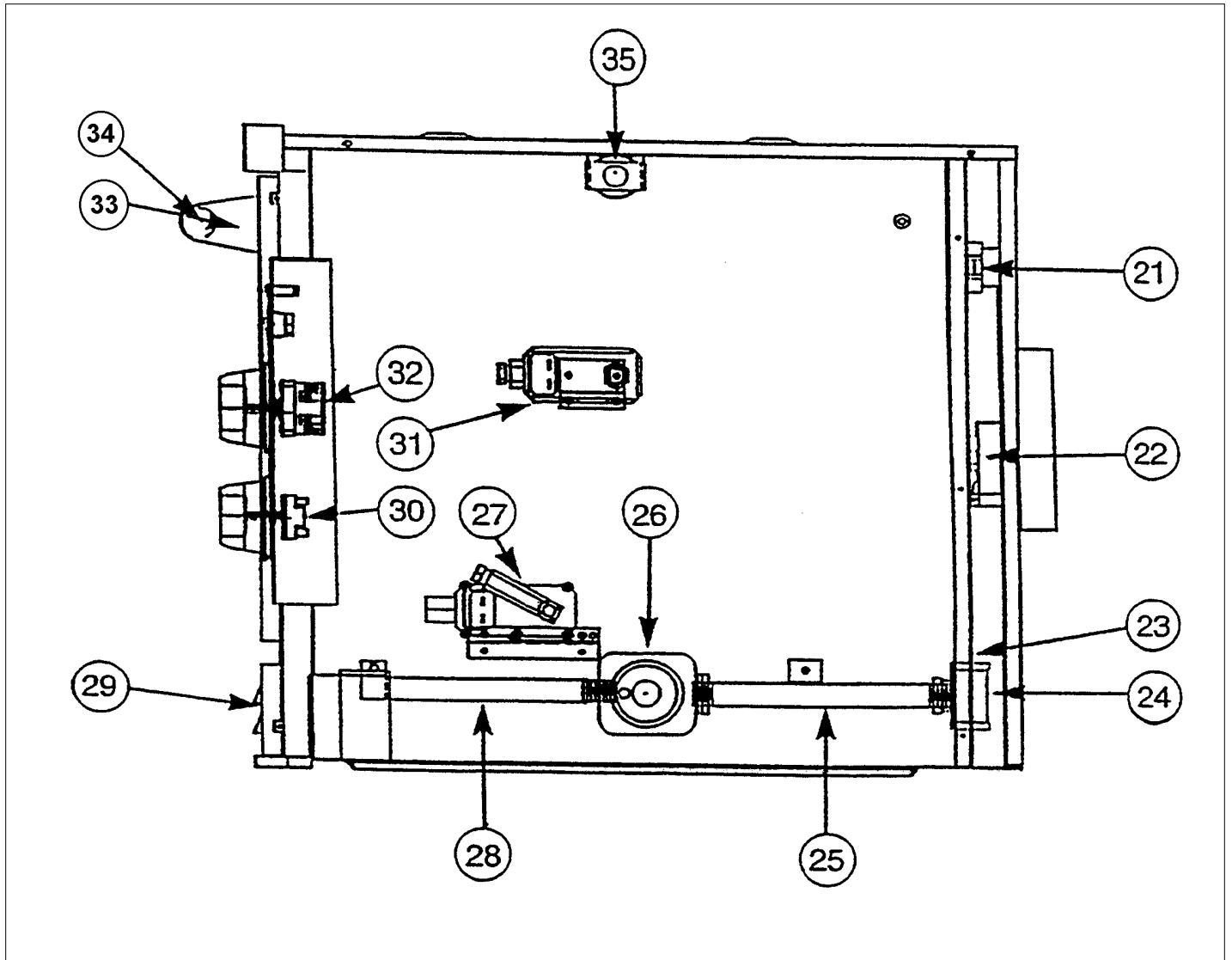
VIEW 2



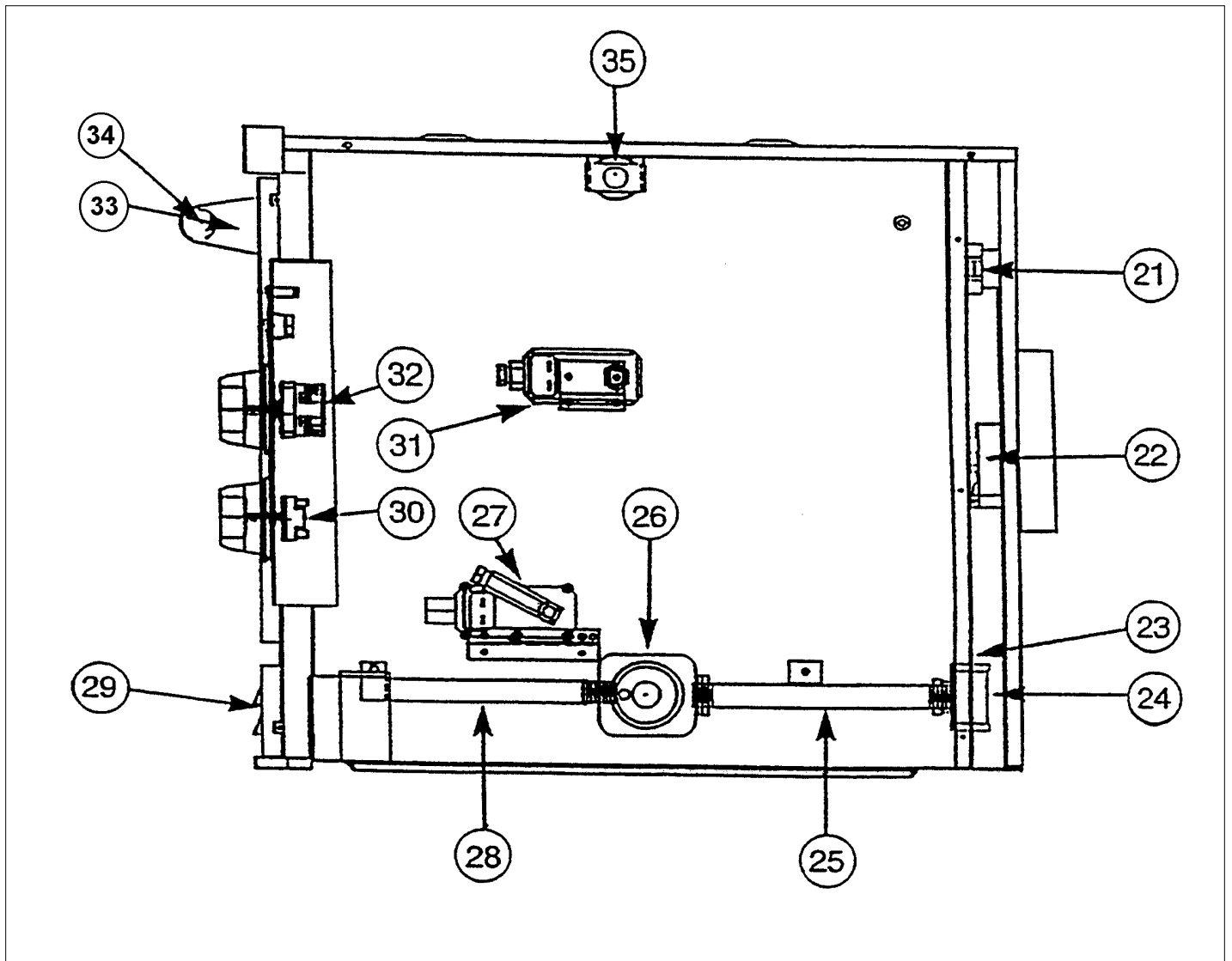




Item	Part No.	Name	Qty	Uom	NOTES
21	031449-000	LAMP, ASM	1	EA	
22	PE050005	CONVECTION FAN ASSY	1	EA	
23	PA050032	PIPE PLUG - 1/2"	1	EA	NO LONGER AVAILABLE
24	PA050031	PIPE TEE - 1/2" FEMALE	1	EA	
25	G3000890	INLET PIPE ASSY. - 36" BUILT-IN	1	EA	NO LONGER AVAILABLE, Not available online / Call for pricing and availability
26	PA070003	PRESSURE REGULATOR	1	EA	
27	PB010033	DUAL THERMAL VALVE - 36" BUILT-IN	1	EA	
28	G3000804	SUB TO PA050035 - MANIFOLD WELD ASSY. - VGSO165	1	EA	NO LONGER AVAILABLE, Not available online / Call for pricing and availability
29	B2000819	KICK PLATE - S.S. 36" BUILT-IN OVEN	1	EA	
Not Shown	B2001083	KICKPLATE (VGSO) FORMED	1	EA	NO LONGER AVAILABLE, Not available online / Call for pricing and availability
Not Shown	C9000819BK	LOWER ACC PAN - *BK* 36" BUILT-IN	1	EA	NO LONGER AVAILABLE, Not available online / Call for pricing and availability
Not Shown	C9000819WH	LOWER ACC PAN - *WH* 36" BUILT-IN	1	EA	NO LONGER AVAILABLE, Not available online / Call for pricing and availability
Not Shown	C9001083AL	LOWER ACC PAN *AL* (VGSO165)	1	EA	NO LONGER AVAILABLE, Not available online / Call for pricing and availability
Not Shown	C9001083BK	LOWER ACC PAN *BK* (VGSO165)	1	EA	
Not Shown	C9001083BU	LOWER ACC PAN *BU* (VGSO165)	1	EA	NO LONGER AVAILABLE, Not available online / Call for pricing and availability

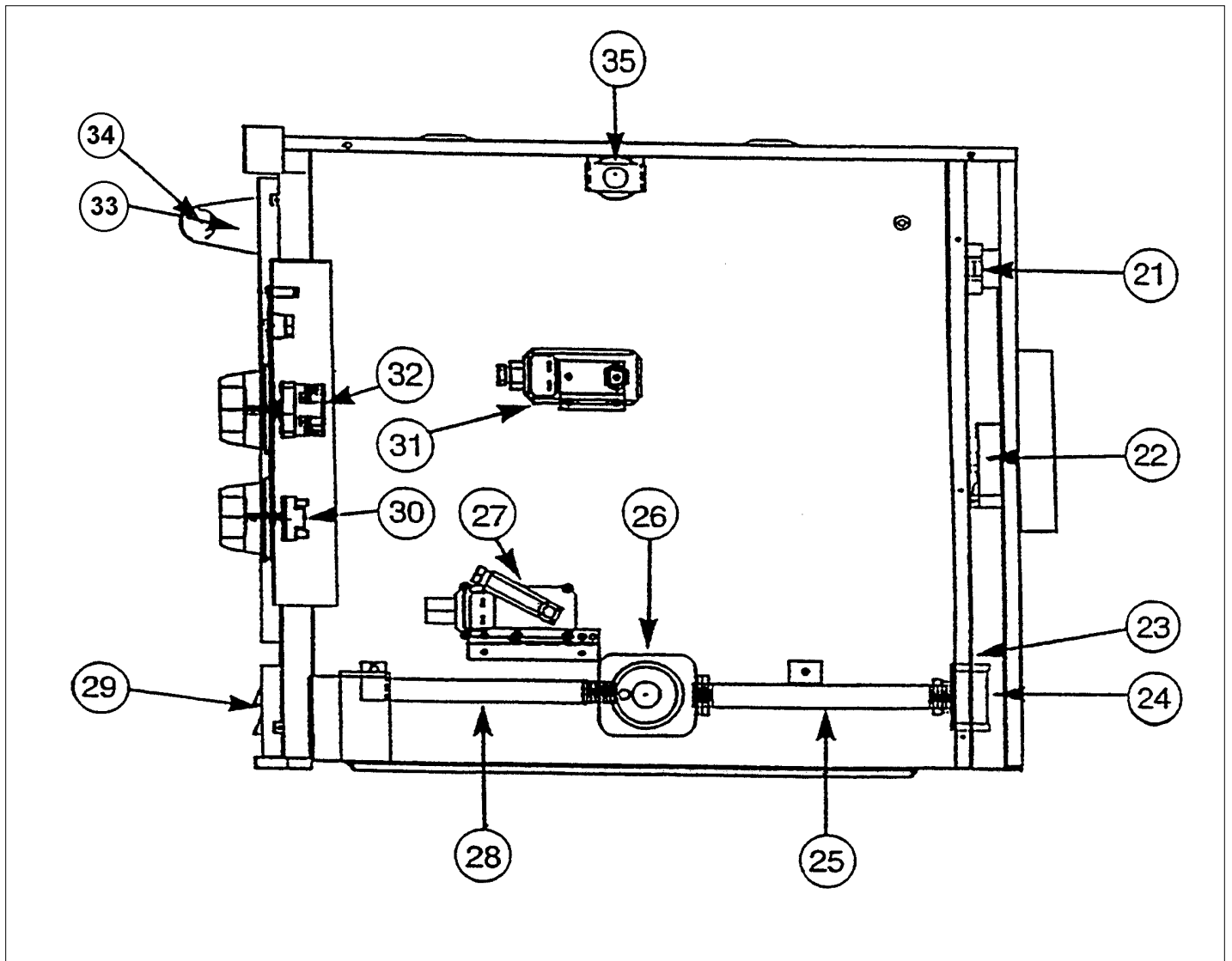


Item	Part No.	Name	Qty	Uom	NOTES
Not Shown	C9001083FG	LOWER ACC PAN *FG* (VGSO165)	1	EA	NO LONGER AVAILABLE, Not available online / Call for pricing and availability
Not Shown	C9001083PL	LOWER ACC PAN *PL* (VGSO165)	1	EA	NO LONGER AVAILABLE, Not available online / Call for pricing and availability
Not Shown	C9001083VB	LOWER ACC PAN *VB* (VGSO165)	1	EA	NO LONGER AVAILABLE, Not available online / Call for pricing and availability
Not Shown	C9001083WH	LOWER ACC PAN *WH* (VGSO165)	1	EA	NO LONGER AVAILABLE, Not available online / Call for pricing and availability
30	PE050008	CONVECTION SWITCH	1	EA	NO LONGER AVAILABLE
31	PB010034	SINGLE THERMAL VALVE - 36" BUILT-IN	1	EA	
32	PB010036	THERMOSTAT BAKE/BROIL	1	EA	
33	000268-000	HANDLE ENDCAP	1	EA	
Not Shown	PE030001PVD	END CAP DOOR HANDLE *BR	1	EA	
34	PE030005	DOOR HANDLE - VGSC30/RC60/RC48RH	1	EA	
PE030013	PE030013PVD	DOOR HANDLE (36") PVD - NLA	1	EA	NO LONGER AVAILABLE
35	G3000889	I/R BURNER ASSEMBLY - 36" BUILT-IN	1	EA	
NI	PB070015	DOOR GASKET - VGSO165	1	EA	
NI	E9100830	FLAME SPREADER - 36" BUILT-IN OVEN	1	EA	
NI	A2000832	HINGE BRACKET - R.H. 36" BUILT-IN	1	EA	
NI	A2000833	HINGE BRACKET - L.H. 36" BUILT-IN	1	EA	
NI	E9100862	OVEN LINER HINGE COVER - 36"B-IN	1	EA	NO LONGER AVAILABLE, Not available online / Call for pricing and availability

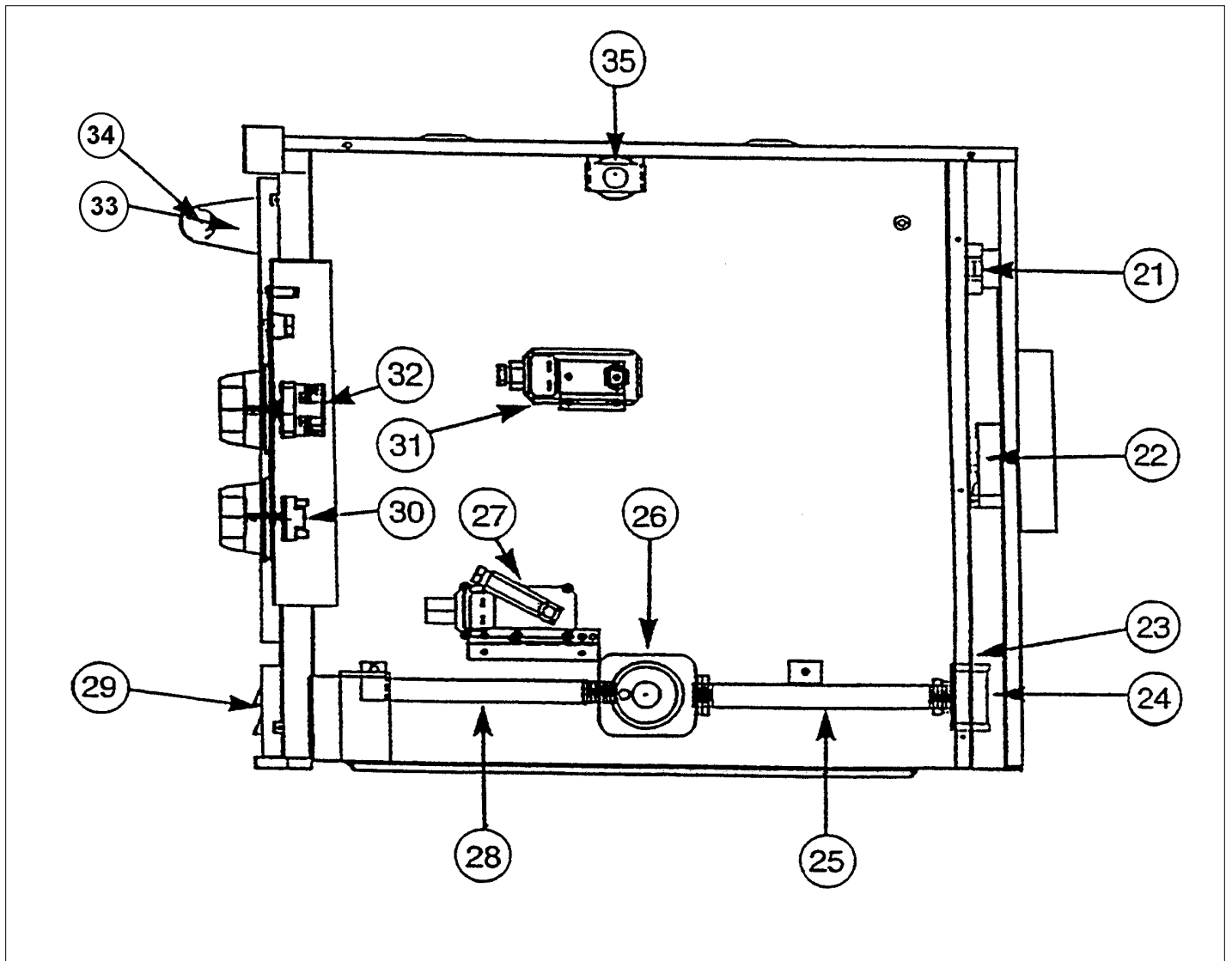




Item	Part No.	Name	Qty	Uom	NOTES
NI	E9100840	INSIDE OVEN LINER - 36" B-IN	1	EA	NO LONGER AVAILABLE, Not available online / Call for pricing and availability
NI	PD030001	SUB TO PD030011	1	EA	NO LONGER AVAILABLE, Not available online / Call for pricing and availability
NI	PE070068	SUPPLY CORD	1	EA	
Not Shown	PE070128	Supply Cord	1	EA	
NI	PE070070	Disconnect Block - Male	1	EA	
NI	PE070071	Disconnect Block - Female	1	EA	
NI	E9101459	OVEN LINER EXTENSION-LH (VGSO165)	1	EA	NO LONGER AVAILABLE, Not available online / Call for pricing and availability
NI	E9100815	LINER EXTENTION R.H.	1	EA	NO LONGER AVAILABLE, Not available online / Call for pricing and availability
NI	PE040012	SIDE TRIM - VGSO165	1	EA	NO LONGER AVAILABLE, Not available online / Call for pricing and availability
NI	PB020016	TUBING - IR BROIL (VGSO165)	1	EA	
NI	PB020017	TUBING - BROIL VALVE (VGSO165)	1	EA	
NI	PB020018	SUB TO PB020059 - TUBING - INLET (VGSO165)	1	EA	NO LONGER AVAILABLE, Not available online / Call for pricing and availability
NI	PB020019	TUBING - RH BAKE (VGSO165)	1	EA	NO LONGER AVAILABLE - REQUIRES LOCAL PURCHASE, Not available online / Call for pricing and availability
NI	PB020020	BAKE BURNER TUBING - LH	1	EA	Not available online / Call for pricing and availability



Item	Part No.	Name	Qty	Uom	NOTES
NI	PB020059	SUPPLY TUBING	1	EA	Not available online / Call for pricing and availability
NI	G4000953	WIRE HARNESS (NEUTRAL) 36" BUILT-IN	1	EA	NO LONGER AVAILABLE, Not available online / Call for pricing and availability
NI	G4000954	WIRE HARNESS (L1) 36" BUILT-IN OVEN	1	EA	NO LONGER AVAILABLE, Not available online / Call for pricing and availability
NI	G4000955	WIRE HARNESS (BAKE/IGN.) 36" B-IN	1	EA	NO LONGER AVAILABLE, Not available online / Call for pricing and availability
NI	G4000956	WIRE ASSEMBLY (OVEN LT.) 36" B-IN	1	EA	NO LONGER AVAILABLE, Not available online / Call for pricing and availability
NI	G4000957	WIRE ASSEMBLY (CONV. FAN) 36" B-IN	1	EA	NO LONGER AVAILABLE, Not available online / Call for pricing and availability
NI	G4000958	WIRE ASSEMBLY (R.H. BAKE) 36" B-IN	1	EA	NO LONGER AVAILABLE, Not available online / Call for pricing and availability
NI	G4000959	WIRE ASSEMBLY (L.H. BAKE) 36" B-IN	1	EA	NO LONGER AVAILABLE, Not available online / Call for pricing and availability
NI	G4000964	WIRE ASSEMBLY (BROIL) 36" BUILT-IN	1	EA	NO LONGER AVAILABLE, Not available online / Call for pricing and availability
NI	G4000965	WIRE ASSEMBLY (BROIL IGN.) 36" B-IN	1	EA	NO LONGER AVAILABLE
NI	G4000966	WIRE ASSEMBLY (T/STAT) 36" BUILT-IN	1	EA	NO LONGER AVAILABLE, Not available online / Call for pricing and availability







Item	Part No.	Name	Qty	Uom	NOTES
NI	G4000967	WIRE ASSEMBLY (IND. LT.) 36" B-IN	1	EA	NO LONGER AVAILABLE, Not available online / Call for pricing and availability
NI	A2008467	INSULATION SHIELD	1	EA	



Appendix A:Pages Index

DOOR ASSY .....	1
VIEW 1 .....	2
VIEW 2 .....	3



Appendix B:Parts Index

000268-000	1, 3	C9001085FG	2
003862-000	2	C9001085PL	2
004340-000	2	C9001085VB	2
031449-000	3	C9001085WH	2
A1000846	1	C9001454AL	2
A2000827	1	C9001454BK	2
A2000828	1	C9001454BU	2
A2000832	3	C9001454FG	2
A2000833	3	C9001454PL	2
A2000962	1	C9001454VB	2
A2008467	3	C9001454WH	2
B2000801	1	E9100815	3
B2000806	2	E9100830	3
B2000819	3	E9100840	3
B2000831	2	E9100862	3
B2001083	3	E9101459	3
B2001085	2	G3000804	3
B2001454	2	G3000859	2
B9200849	2	G3000889	3
C9000801AL	1	G3000890	3
C9000801BK	1	G4000953	3
C9000801BU	1	G4000954	3
C9000801FG	1	G4000955	3
C9000801PL	1	G4000956	3
C9000801VB	1	G4000957	3
C9000801WH	1	G4000958	3
C9000819BK	3	G4000959	3
C9000819WH	3	G4000964	3
C9000831BK	2	G4000965	3
C9000831WH	2	G4000966	3
C9001083AL	3	G4000967	3
C9001083BK	3	G9100874	1
C9001083BU	3	G9100961	2
C9001083FG	3	G9101618	2
C9001083PL	3	H9101271	1
C9001083VB	3	PA050031	3
C9001083WH	3	PA050032	3
C9001085AL	2	PA070003	3
C9001085BK	2	PB010032	2
C9001085BU	2	PB010033	3
		PB010034	3



PB010036	3	PE060019	2
PB010085	2	PE060020	1
PB010093	2	PE070068	3
PB010094	2	PE070070	3
PB010097	2	PE070071	3
PB010098	2	PE070128	3
PB020016	3		
PB020017	3		
PB020018	3		
PB020019	3		
PB020020	3		
PB020059	3		
PB040001	2		
PB050007	2		
PB060006	2		
PB060038	2		
PB070014	1		
PB070015	3		
PB070034	1		
PC020003	2		
PD030001	3		
PD030006	1		
PE010016	1		
PE010017	1		
PE010079	1		
PE010080	1		
PE030001PVD	1,3		
PE030005	1,3		
PE030013PVD	1,3		
PE040011	2		
PE040012	3		
PE040013	2		
PE050003	2		
PE050005	3		
PE050008	3		
PE050016	2		
PE050017	2		
PE060007	1		
PE060008	1		
PE060009	1		
PE060010	2		