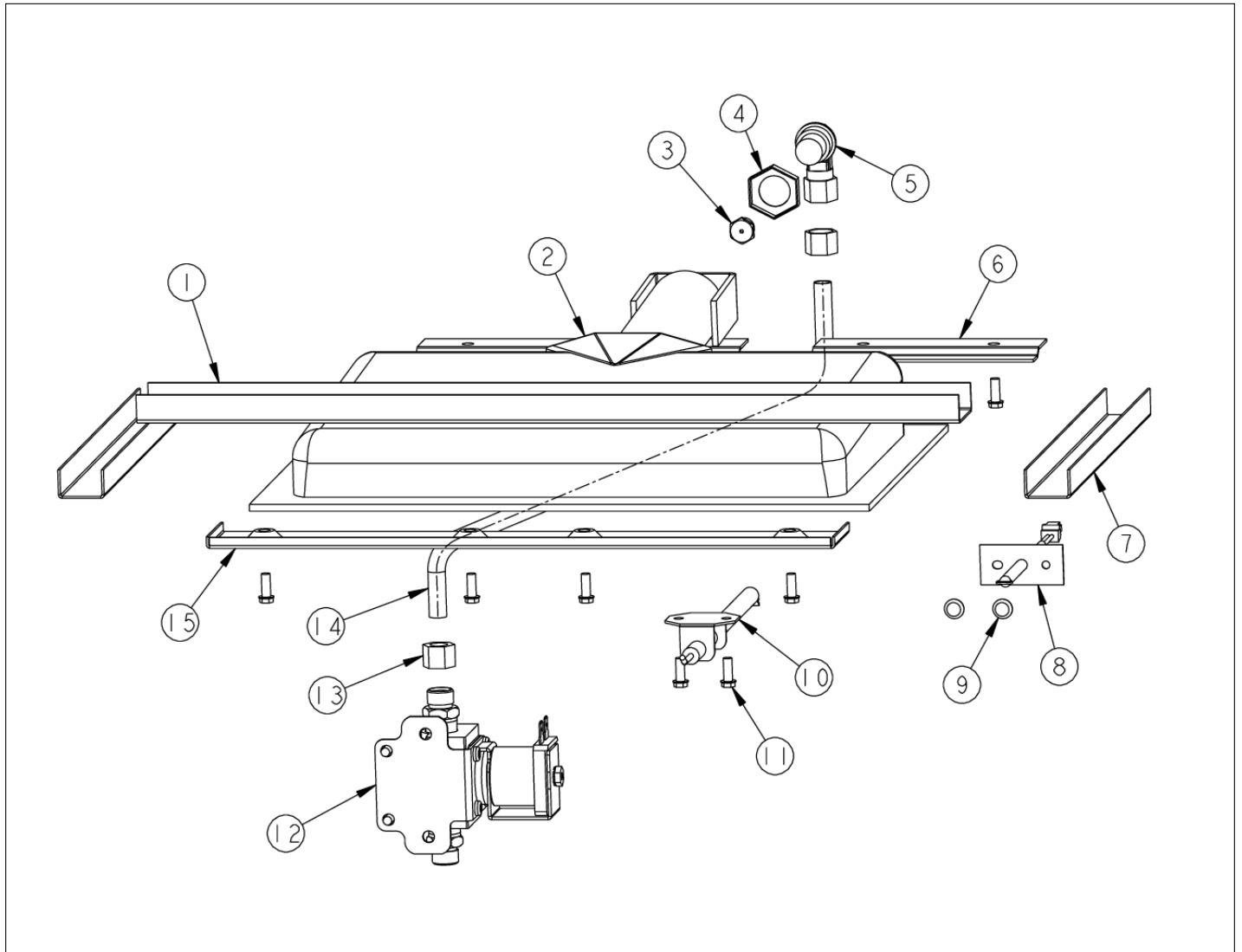


VGSO100

BROIL BURNER AREA	1
CONTROL AREA	2
DOOR ASSEMBLY	3
LOWER UNIT AREA	4
OVEN EXTERIOR AREA	5
OVEN INTERIOR AREA	6
PE070841	7
REAR ELECTRICAL AND GAS FLOW	8
SIMPLE HARNESSSES	9
SIMPLE WIRING	10
UPPER UNIT AREA	11
VGSO100 BLOWER KIT	12
WIRING DIAGRAM	13
Appendix A:Pages Index	A
Appendix B:Parts Index	B

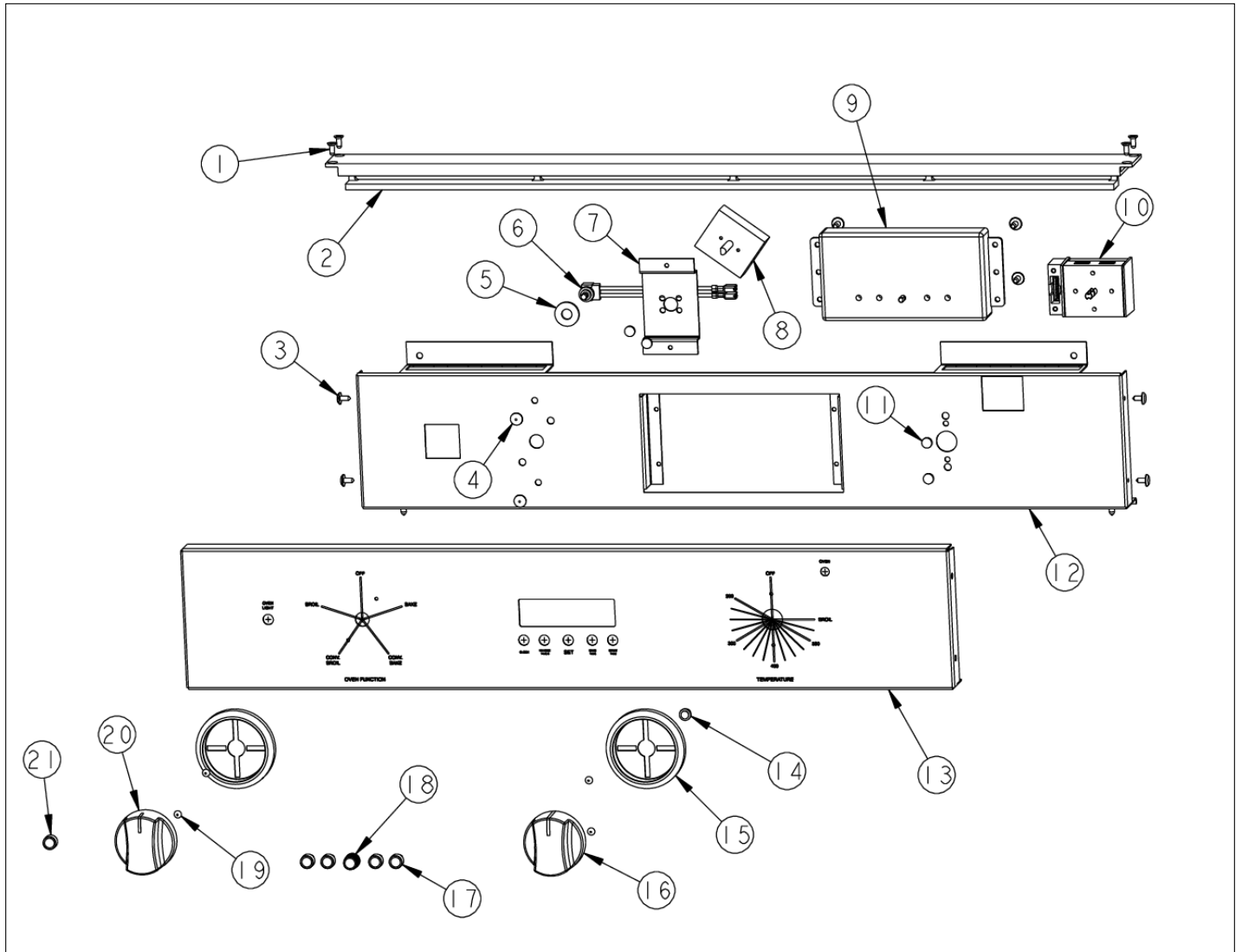
BROIL BURNER AREA



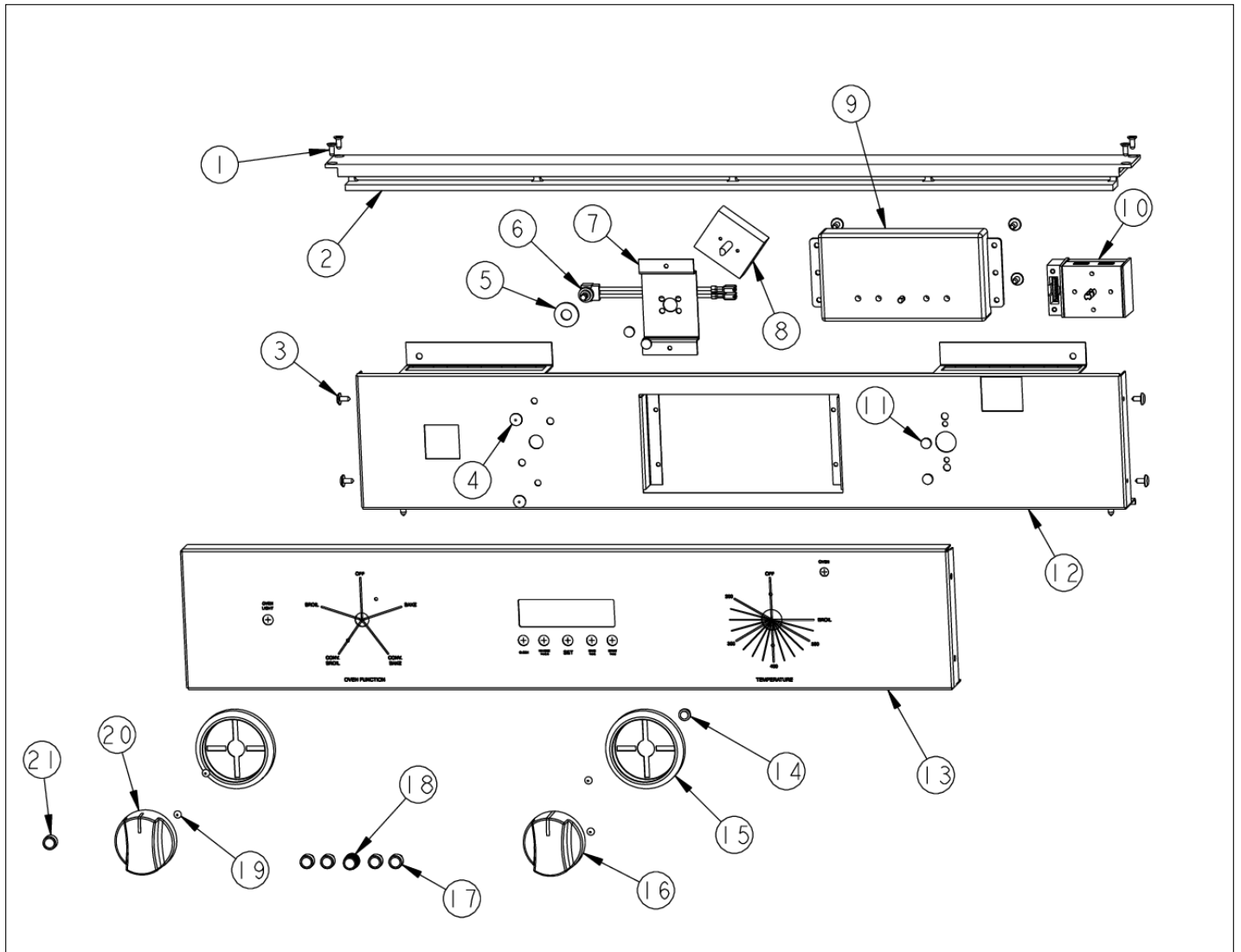


Item	Part No.	Name	Qty	Uom	NOTES
1	E2004409	TOP FRONT BRACE	1	EA	Not available online / Call for pricing and availability
2	G3001876	IR BURNER ASSY (VGSC/RC) N/S	1	EA	
3	PB040026	IR BURNER ORIFICE - #48 NAT.	1	EA	
3	PB040027	IR BUR.SPUD ORF. - #56 LP	1	EA	
4	PD030018	PALNUT - 3/4-16	1	EA	
5	PB040178	90 DEGREE ORIFICE FITTING (VGSC306)	1	EA	
6	B2005589	REAR BROILER BRACKET	1	EA	Not available online / Call for pricing and availability
7	E2004410	TOP SIDE BRACE	1	EA	Not available online / Call for pricing and availability
8	PE050206	RTD THERMOSTAT PROBE	1	EA	
9	PD020032	SRW-8(A)X3/8"PH.WFR HD 7/16DIA*NICL	1	EA	
10	PB040171	BROIL IGNITION ELECTRODE	1	EA	
11	PD020060	10 X 1/2" (5/16)HEX WSHR HD.(T)A	1	EA	
12	009112-000	VALVE, SOL, DOUBLE	1	EA	
13	PB040192	3/8"" CC FERREL (DGCU)	1	EA	
14	PB020126	3/8"" S.S. FLEX TUBING 15"" (DGCU)	1	EA	
15	B2001448	IR BROIL SUPT (FRONT)	1	EA	
NI	039137-000	TUBING, INSUL, GAS IGNITOR	2	EA	

CONTROL AREA



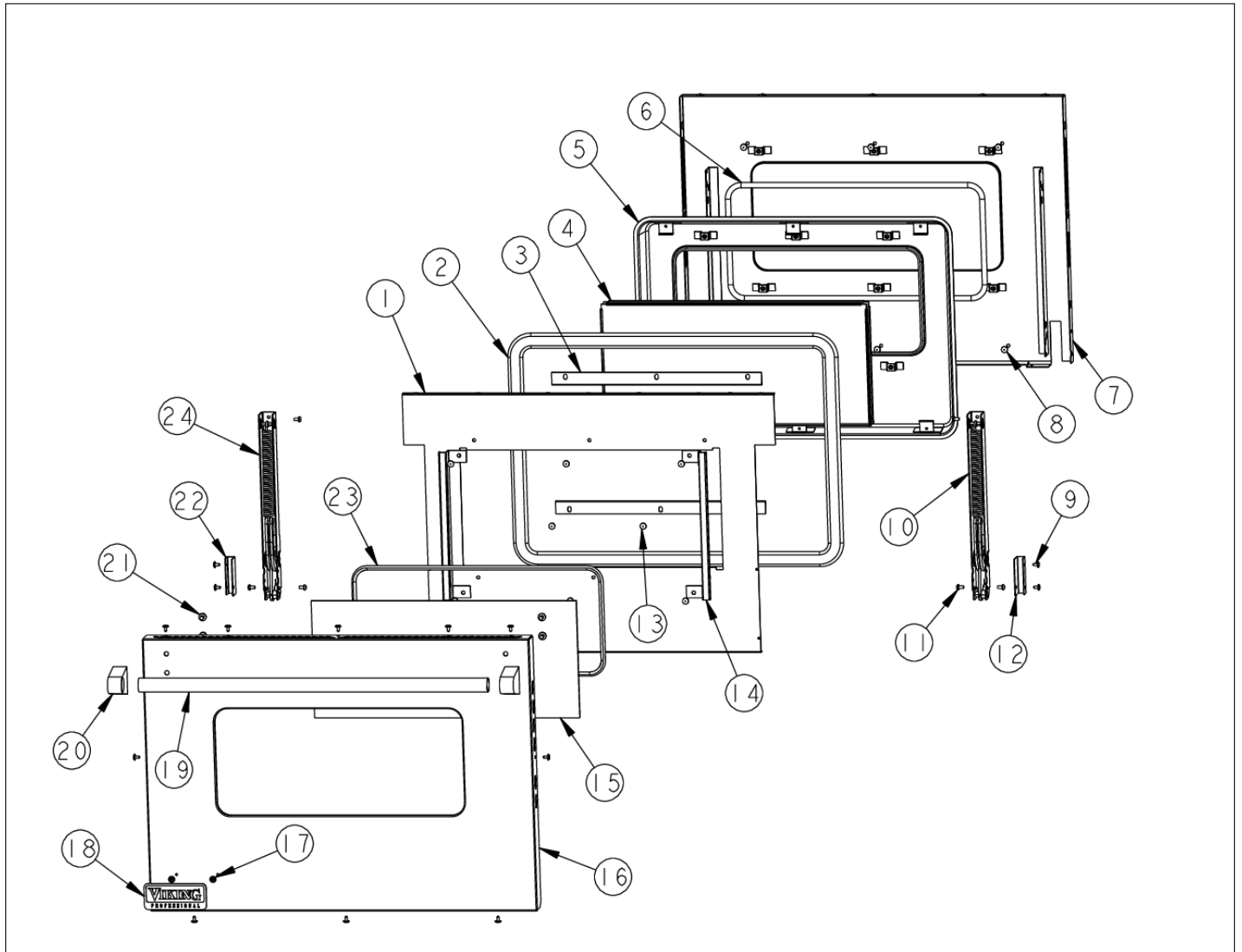
Item	Part No.	Name	Qty	Uom	NOTES
1	M0235318	SCREW, 8 X 7/16 UFLP	1	EA	Not available online / Call for pricing and availability
2	PE040303	VGSO100 TOP TRIM	1	EA	
3	PD020032	SRW-8(A)X3/8"PH.WFR HD 7/16DIA*NICL	1	EA	
4	PD020002	10 X 1/2 PH.TR.HD.SMS.	1	EA	
5	PD040160	3/8" STEEL WASHER	1	EA	
6	G40015469	LIGHT SWITCH ASSEMBLY	1	EA	
7	A20010407	SELECTOR MOUNTING BRACKET	1	EA	
8	PJ030004	SELECTOR SWITCH (5-POSITION) VGSO	1	EA	
9	PE050213	PRO 120V DIGITAL CLOCK	1	EA	
10	000691-000	ELECTRONIC TSTAT. 2 POS. STANDARD	1	EA	
11	PD020044	#8-32 X 1/4" PH. TR. HD. M.S.	1	EA	
12	010757-000	PANEL, CTRL, INR	1	EA	
13	B92014426	CONTROL PANEL VGSO100	1	EA	
13	C92014426BK	CONTROL PANEL - BK	1	EA	Not available online / Call for pricing and availability
13	C92014426WH	CONTROL PANEL - WH	1	EA	Not available online / Call for pricing and availability
14	PE050023	OVEN IND. LIGHT (LENS & BEZEL)	1	EA	
15	PB010304	KNOB BEZEL	1	EA	
15	PB010304PVD	RESTYLE KNOB BEZEL, BR	1	EA	
16	PB010305	PROF. SELECTOR/THERMOSTAT KNOB	1	EA	
Not Shown	NOTE	(BEFORE 09/30/08)		EA	
16	PB010309	PROF. SELECTOR/THERMOSTAT KNOB *WH*	1	EA	
Not Shown	NOTE	(BEFORE 09/30/08)		EA	
16	036487-000	KNOB, TSTAT, ASM, VGSO100	1	EA	



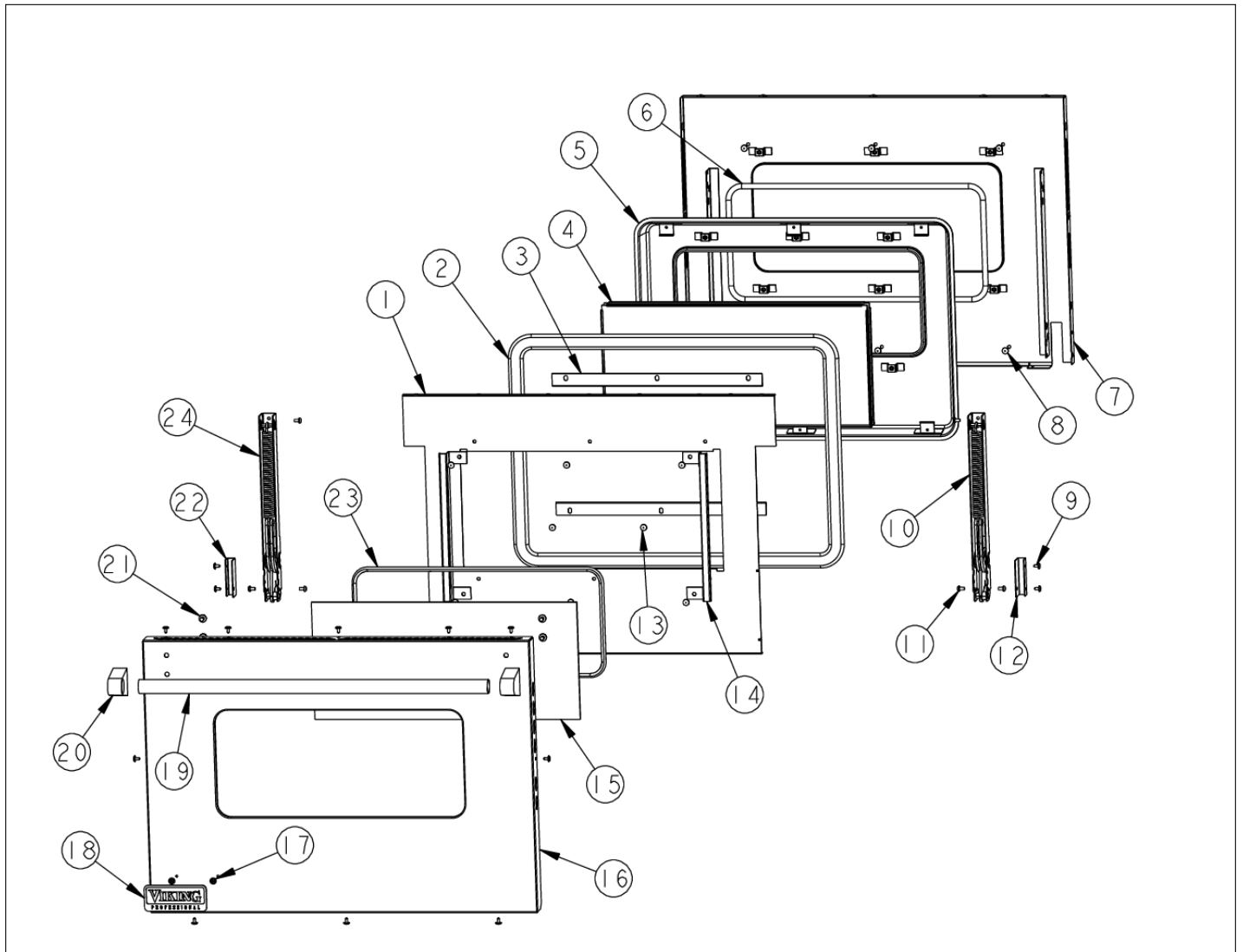


Item	Part No.	Name	Qty	Uom	NOTES
Not Shown	NOTE	(FROM 09/30/08 THRU 12/20/12)		EA	
16	035909-000	KNOB, OVN, TSTAT, PRO VGSO CR3	1	EA	
Not Shown	NOTE	(ON OR AFTER 12/20/12)		EA	
17	PB010306	PROF. CLOCK BUTTON	4	EA	
17	PB010310	PROF. CLOCK BUTTON *WH*	4	EA	
18	PB010307	PROF. CLOCK KNOB	1	EA	
18	PB010311	PROF. CLOCK KNOB *WH*	1	EA	
19	PD020006	' #6-32 X 1/4" PH.PAN HD. T(F)	1	EA	
20	PB010329	VGSO100 KNOB	1	EA	
Not Shown	NOTE	(BEFORE 09/30/08)		EA	
20	PB010330	VGSO100 OVEN KNOB WHITE	1	EA	
Not Shown	NOTE	(BEFORE 09/30/08)		EA	
20	008770-000	GAS VALVE KNOB, SSS PVD	1	EA	
Not Shown	NOTE	(FROM 09/30/08 THRU 12/20/12)		EA	
20	035910-000	KNOB, OVN, SEL, PRO VGSO CR3	1	EA	
Not Shown	NOTE	(ON OR AFTER 12/20/12)		EA	
21	PB010308	PROF. OVEN LIGHT BUTTON	1	EA	NO LONGER AVAILABLE
21	PB010312	PROF. OVEN LIGHT BUTTON *WH*	1	EA	NO LONGER AVAILABLE
NI	PJ030043	Bi Metal Thermostat - 150 Degrees	1	EA	

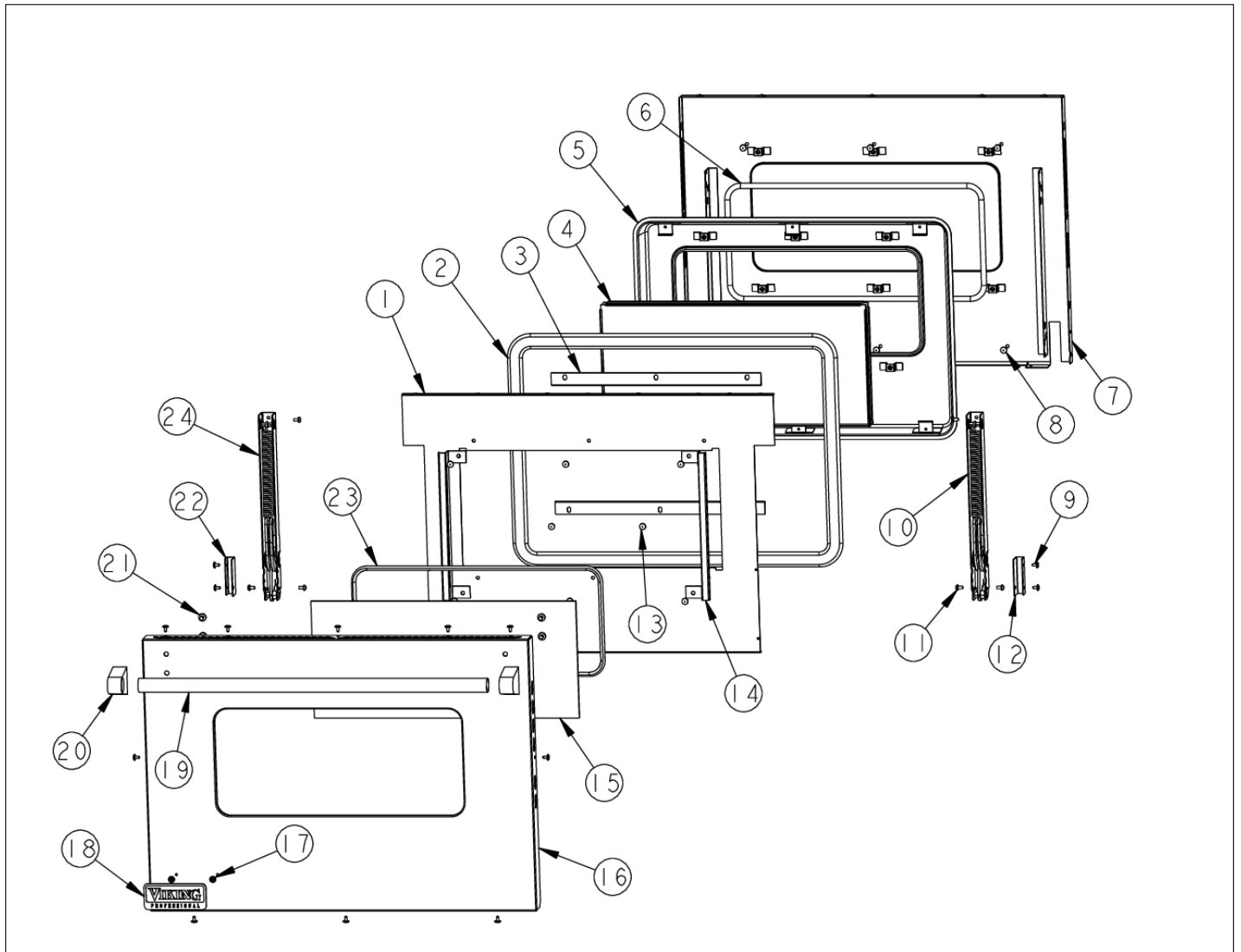
DOOR ASSEMBLY



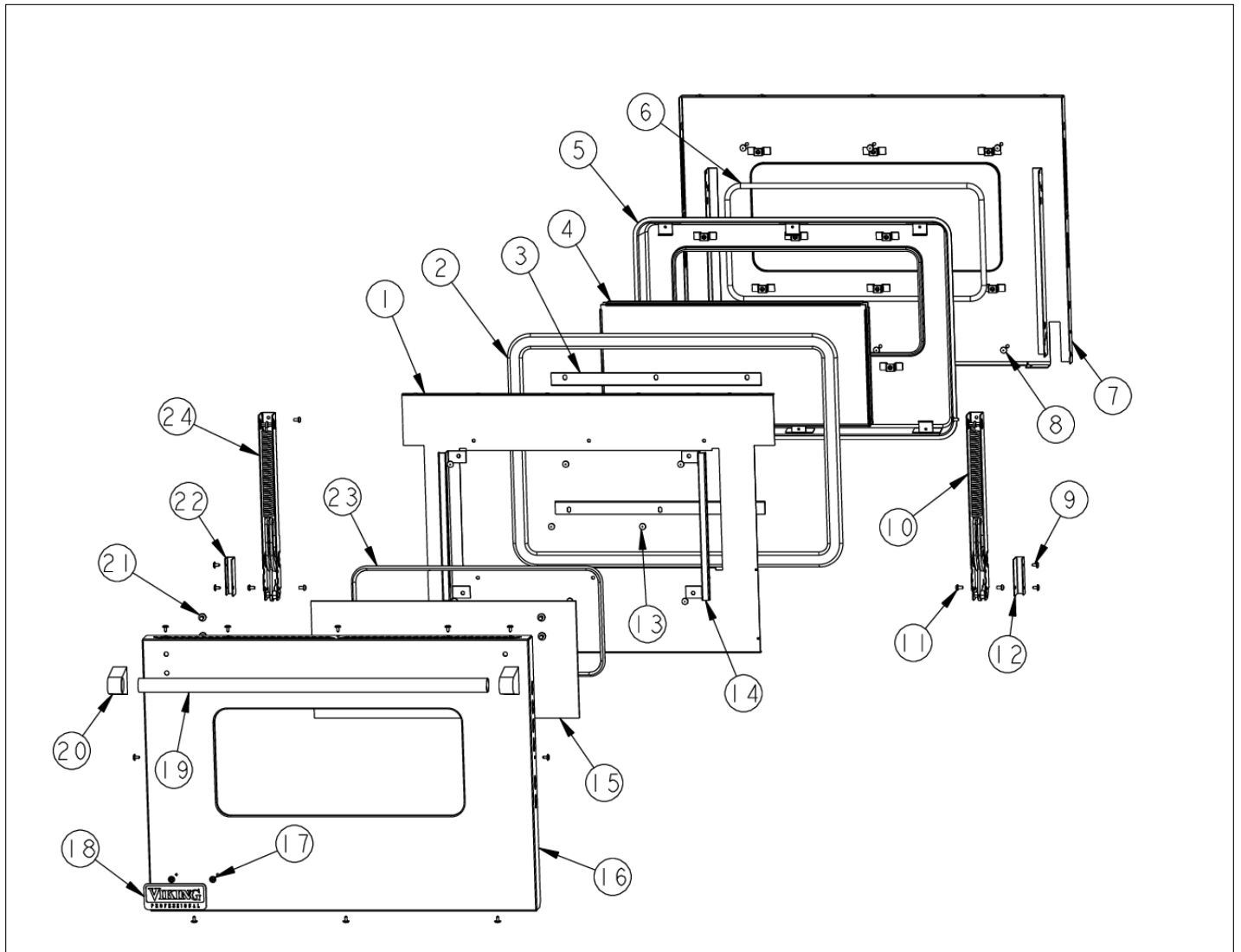
Item	Part No.	Name	Qty	Uom	NOTES
1	A20010432	DOOR INSULATION RETAINER	1	EA	
2	000623-000	DOOR GASKET(3/8"DIA.) (VDSC)	1	EA	
3	A2007943	GLASSPACK BRACKET, LARGE	1	EA	
4	PE060064	WINDOW PACK, SELF CLEANING OVEN 30"	1	EA	
5	G9102745	DR PG ASSY VDSC30/48" RE H9102175 (Before 12/20/2012)	1	EA	
Not Shown	NOTE	(BEFORE 1/2/13)		EA	
5	G9102745BK	PLUG,DOOR,ASM (After 12/20/2012)	1	EA	
Not Shown	NOTE	(ON OR AFTER 1/2/13)		EA	
6	000594-000	BLACK FIBERGLASS ROPE 3/8	1	EA	
7	G91010431	DOOR LINER ASSY	1	EA	
Not Shown	NOTE	(BEFORE 1/2/13)		EA	
7	G91010431BK	LINER, DOOR, ASM, BK	1	EA	
Not Shown	NOTE	(ON OR AFTER 1/2/13)		EA	
8	PD020014	10X3/4 PH TR HD SMS	1	EA	
9	PD020032	SRW-8(A)X3/8"PH.WFR HD 7/16DIA*NICL	1	EA	
10	PC020226	MANSFIELD VDSC HINGE 30"	1	EA	
11	PD020004	10X3/8PH.HD.TYPE 25 REPL PD040125	1	EA	
12	036839-000	BRACKET HINGE DOOR	1	EA	Not available online / Call for pricing and availability
13	PD020002	10 X 1/2 PH.TR.HD.SMS.	1	EA	
14	A2002367	DOOR GLASS BRKT	1	EA	
15	PE060030	OUTER DOOR GLASS	1	EA	
16	B20010433	O/S DOOR PANEL	1	EA	
16	C90010433AL	O/S DOOR PANEL *AL*	1	EA	NO LONGER AVAILABLE, Not available online / Call for pricing and availability
16	C90010433BK	O/S DOOR PANEL *BK*	1	EA	



Item	Part No.	Name	Qty	Uom	NOTES
16	C90010433BT	O/S DOOR PANEL *BT*	1	EA	NO LONGER AVAILABLE, Not available online / Call for pricing and availability
16	C90010433BU	O/S DOOR PANEL *BU*	1	EA	NO LONGER AVAILABLE, Not available online / Call for pricing and availability
16	C90010433CB	O/S DOOR PANEL *CB*	1	EA	NO LONGER AVAILABLE, Not available online / Call for pricing and availability
16	C90010433EP	O/S DOOR PANEL *EP*	1	EA	NO LONGER AVAILABLE, Not available online / Call for pricing and availability
16	C90010433FG	O/S DOOR PANEL *FG*	1	EA	NO LONGER AVAILABLE, Not available online / Call for pricing and availability
16	C90010433GG	O/S DOOR PANEL *GG*	1	EA	NO LONGER AVAILABLE, Not available online / Call for pricing and availability
16	C90010433LE	O/S DOOR PANEL *LE*	1	EA	NO LONGER AVAILABLE, Not available online / Call for pricing and availability
16	C90010433MJ	O/S DOOR PANEL *MJ*	1	EA	NO LONGER AVAILABLE, Not available online / Call for pricing and availability
16	C90010433SG	O/S DOOR PANEL *SG*	1	EA	NO LONGER AVAILABLE, Not available online / Call for pricing and availability
16	C90010433VB	O/S DOOR PANEL *VB*	1	EA	NO LONGER AVAILABLE, Not available online / Call for pricing and availability
16	C90010433WH	O/S DOOR PANEL *WH*	1	EA	Not available online / Call for pricing and availability

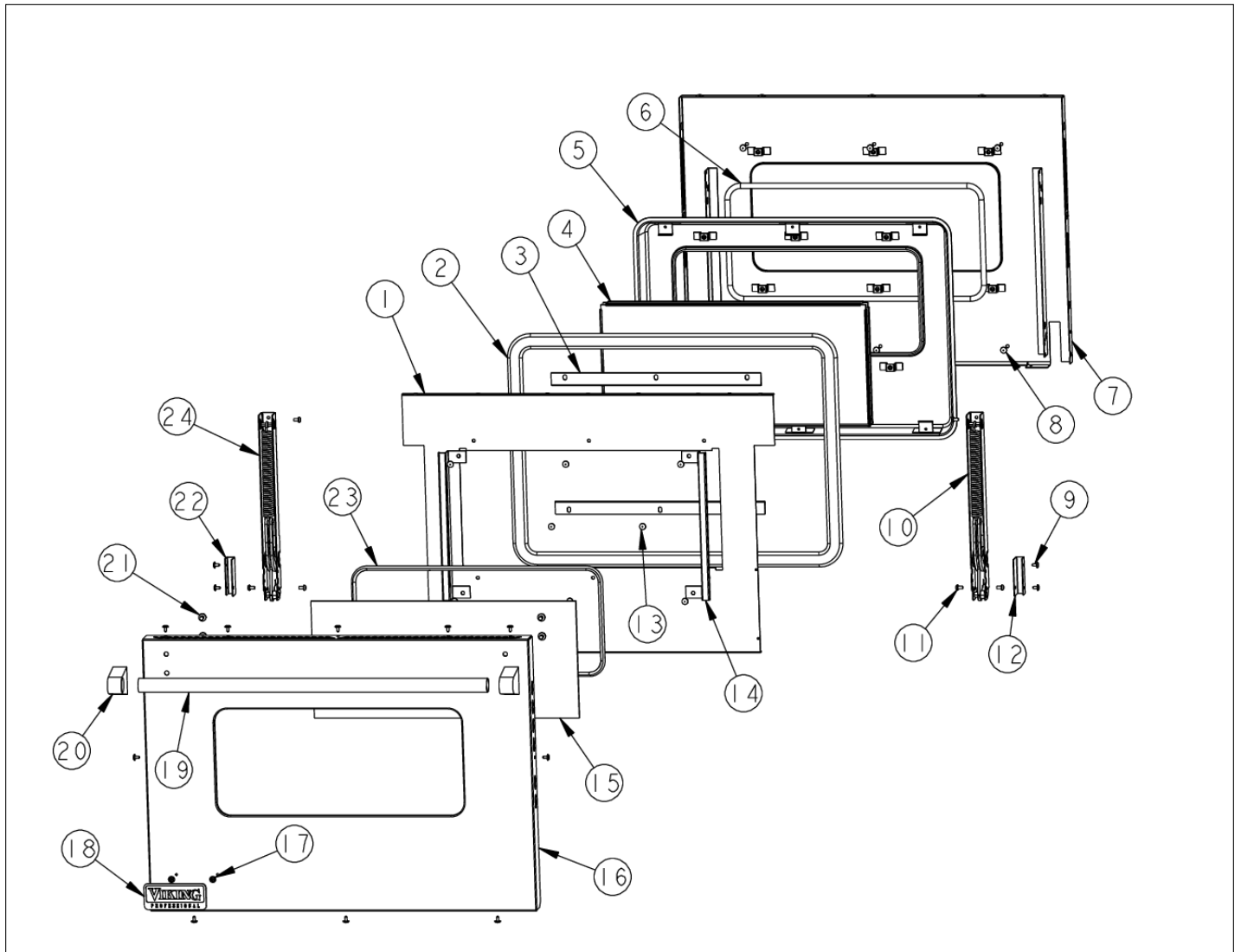


Item	Part No.	Name	Qty	Uom	NOTES
17	PD030006	CAPPED WASHER PAL NUT	1	EA	
18	PE010016	LOGO (ALL RANGES) *BK/CHR 307997W	1	EA	
18	PE010079	4.5" LOGO/VIKING PROF *BK/BR	1	EA	
18	PE010017	LOGO (VGSO,VEDO,VGDO,VUD) *WH/CHR	1	EA	
18	PE010080	4.5" LOGO/VIKING PROF *WH/BR	1	EA	
19	PE030179	30" PROF. DOOR HANDLE	1	EA	
19	PE030179PVD	30" PROF. DOOR HANDLE *PVD* 24.907	1	EA	NO LONGER AVAILABLE, Not available online / Call for pricing and availability
20	000268-000	HANDLE ENDCAP	1	EA	
20	PE030001PVD	END CAP DOOR HANDLE *BR	1	EA	
21	PD010019	BLT-1/4-20X3/8"HEX WASHER SERATED	1	EA	
22	036839-000	BRACKET HINGE DOOR	1	EA	Not available online / Call for pricing and availability
23	PE060031	J-MOLD (LARGE WINDOW)	1	EA	
23	PE060045	J-MOLD (LARGE WINDOW) *BR*	1	EA	
24	PC020290	DOOR HINGE (YELLOW)	1	EA	
NI	G32015461AL	COMPLETE DOOR ASSY. - AL	1	EA	Not available online / Call for pricing and availability
NI	G32015461ALBR	COMPLETE DOOR ASSY. - ALBR	1	EA	Not available online / Call for pricing and availability
NI	G32015461BK	VGSO100 DOOR ASSY *BK*	1	EA	NO LONGER AVAILABLE, Not available online / Call for pricing and availability
NI	G32015461BKBR	VGSO100 DOOR ASSY *BKBR*	1	EA	NO LONGER AVAILABLE, Not available online / Call for pricing and availability



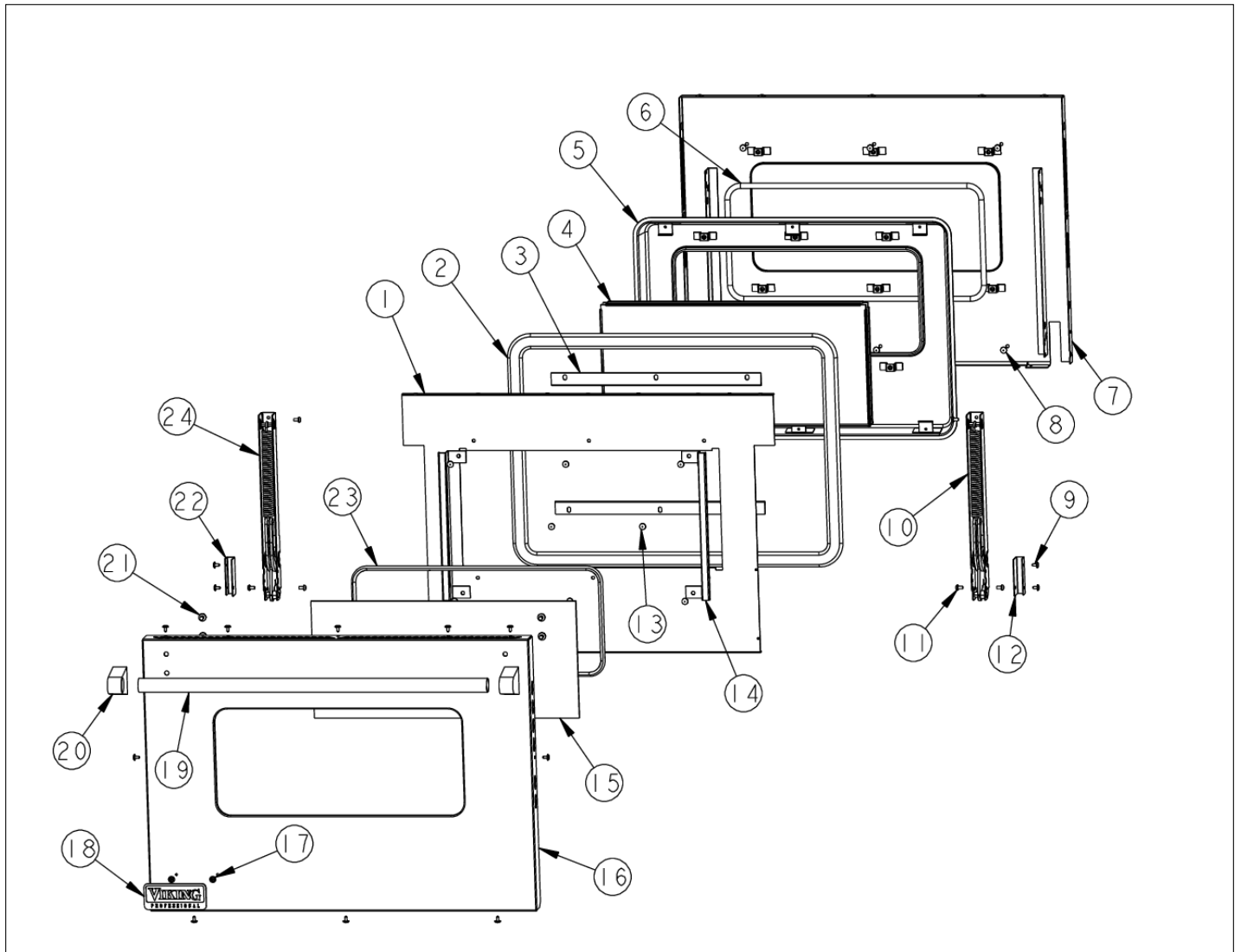


Item	Part No.	Name	Qty	Uom	NOTES
NI	G32015461BT	VGSO100 DOOR ASSY *BT*	1	EA	NO LONGER AVAILABLE, Not available online / Call for pricing and availability
NI	G32015461BTBR	VGSO100 DOOR ASSY *BTBR*	1	EA	NO LONGER AVAILABLE, Not available online / Call for pricing and availability
NI	G32015461BU	VGSO100 DOOR ASSY *BU*	1	EA	NO LONGER AVAILABLE, Not available online / Call for pricing and availability
NI	G32015461BUBR	VGSO100 DOOR ASSY *BUBR*	1	EA	NO LONGER AVAILABLE, Not available online / Call for pricing and availability
NI	G32015461CB	VGSO100 DOOR ASSY *CB*	1	EA	NO LONGER AVAILABLE, Not available online / Call for pricing and availability
NI	G32015461CBBR	VGSO100 DOOR ASSY *CBBR*	1	EA	NO LONGER AVAILABLE, Not available online / Call for pricing and availability
NI	G32015461EP	COMPLETE DOOR ASSY. - EP	1	EA	Not available online / Call for pricing and availability
NI	G32015461EPBR	COMPLETE DOOR ASSY. - EPBR	1	EA	Not available online / Call for pricing and availability
NI	G32015461FG	COMPLETE DOOR ASSY. - FG	1	EA	Not available online / Call for pricing and availability
NI	G32015461FGBR	COMPLETE DOOR ASSY. - FGBR	1	EA	Not available online / Call for pricing and availability
NI	G32015461GG	VGSO100 DOOR ASSY *GG*	1	EA	NO LONGER AVAILABLE, Not available online / Call for pricing and availability





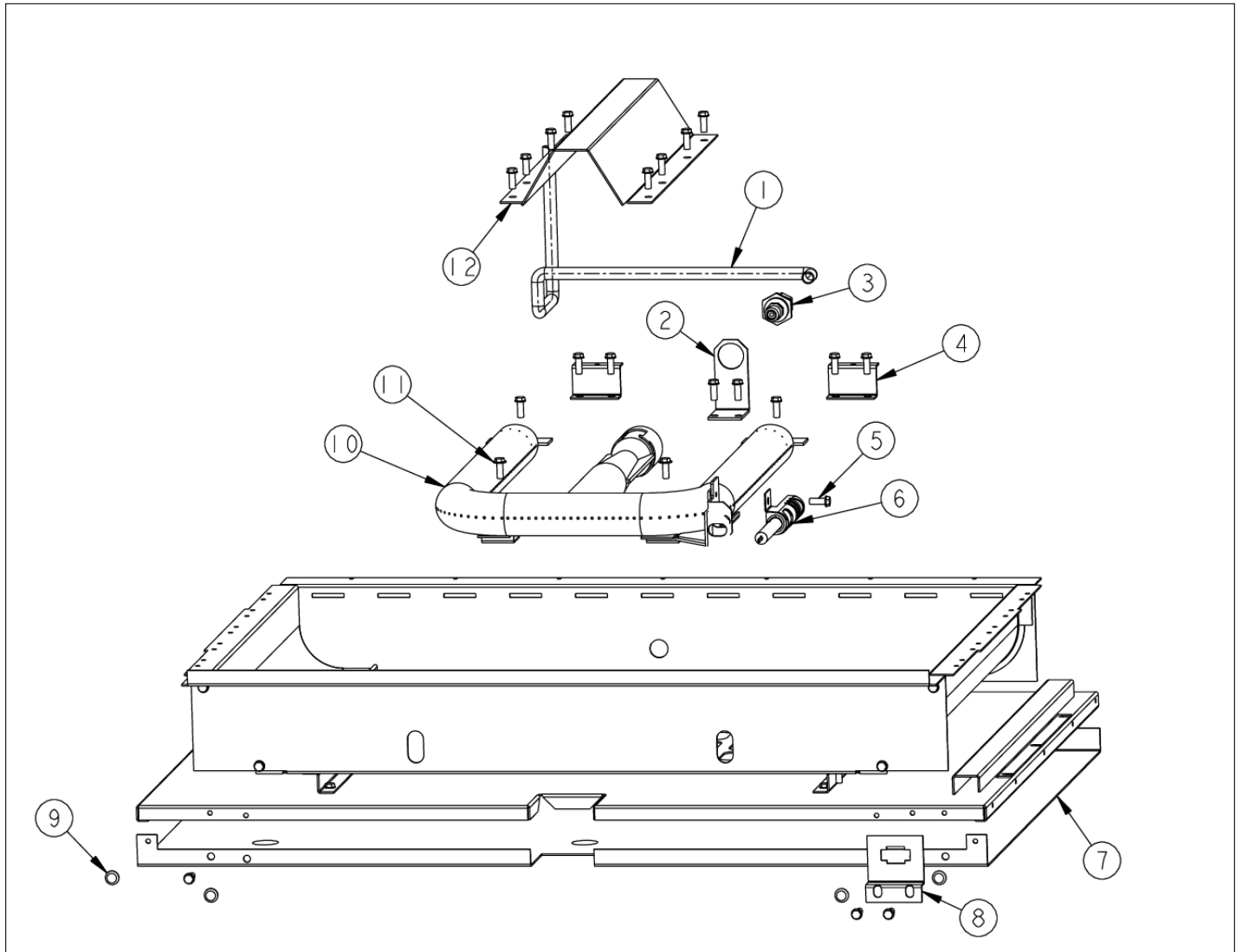
Item	Part No.	Name	Qty	Uom	NOTES
NI	G32015461GGBR	VGSO100 DOOR ASSY *GGBR*	1	EA	NO LONGER AVAILABLE, Not available online / Call for pricing and availability
NI	G32015461LE	VGSO100 DOOR ASSY *LE*	1	EA	NO LONGER AVAILABLE, Not available online / Call for pricing and availability
NI	G32015461LEBR	VGSO100 DOOR ASSY *LEBR*	1	EA	NO LONGER AVAILABLE, Not available online / Call for pricing and availability
NI	G32015461MJ	VGSO100 DOOR ASSY *MJ*	1	EA	NO LONGER AVAILABLE, Not available online / Call for pricing and availability
NI	G32015461MJBR	VGSO100 DOOR ASSY *MJBR*	1	EA	NO LONGER AVAILABLE, Not available online / Call for pricing and availability
NI	G32015461SG	VGSO100 DOOR ASSY *SG*	1	EA	NO LONGER AVAILABLE, Not available online / Call for pricing and availability
NI	G32015461SGBR	VGSO100 DOOR ASSY *SGBR*	1	EA	NO LONGER AVAILABLE, Not available online / Call for pricing and availability
NI	G32015461SS	VGSO100 DOOR ASSY	1	EA	
NI	G32015461SSBR	VGSO100 DOOR ASSY *SSBR*	1	EA	NO LONGER AVAILABLE, Not available online / Call for pricing and availability
NI	G32015461VB	VGSO100 DOOR ASSY *VB*	1	EA	NO LONGER AVAILABLE, Not available online / Call for pricing and availability
NI	G32015461VBBR	VGSO100 DOOR ASSY *VBBR*	1	EA	NO LONGER AVAILABLE, Not available online / Call for pricing and availability





Item	Part No.	Name	Qty	Uom	NOTES
NI	G32015461WH	VGSO100 DOOR ASSY *WH*	1	EA	NO LONGER AVAILABLE, Not available online / Call for pricing and availability
NI	G32015461WHBR	VGSO100 DOOR ASSY *WHBR*	1	EA	NO LONGER AVAILABLE, Not available online / Call for pricing and availability

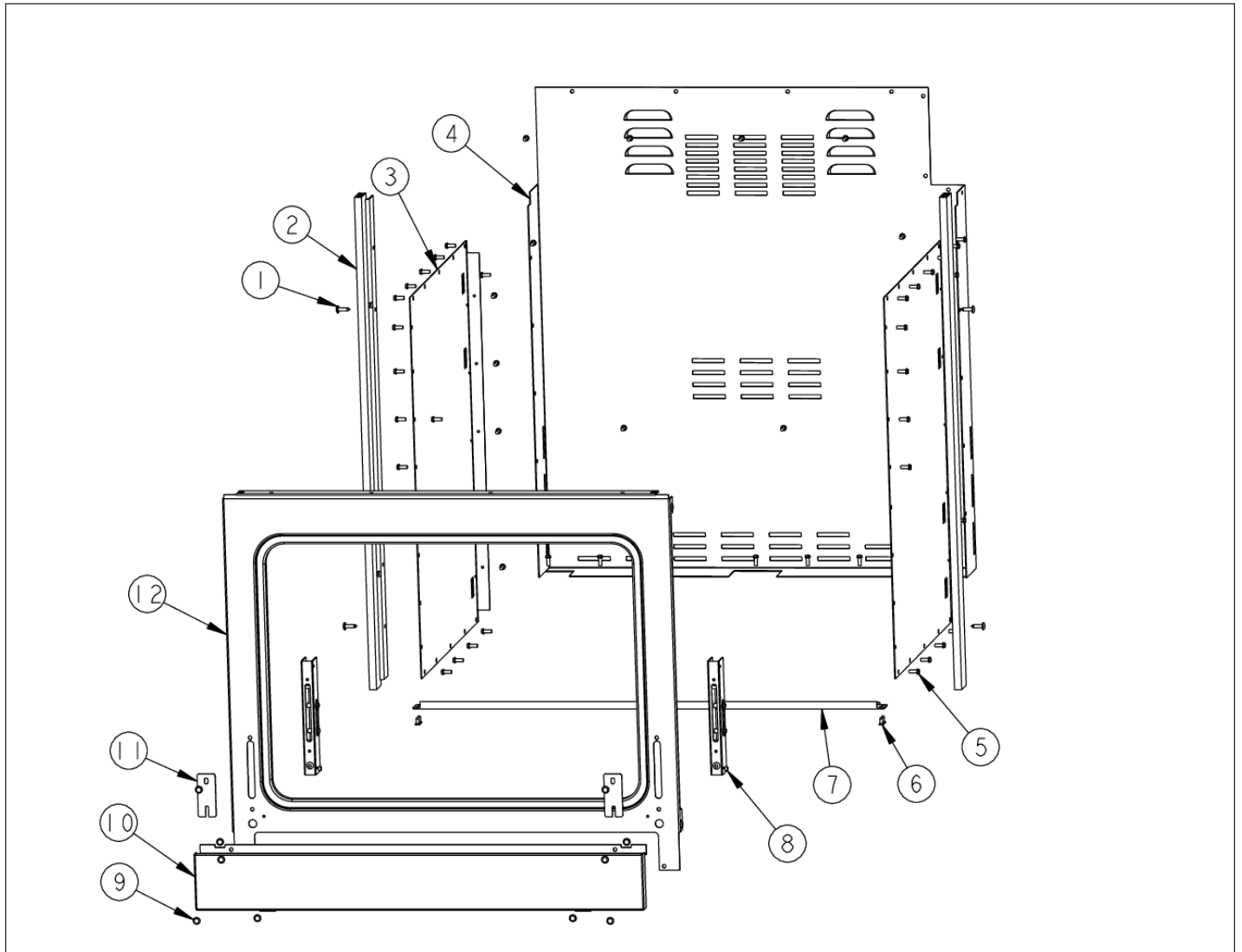
LOWER UNIT AREA





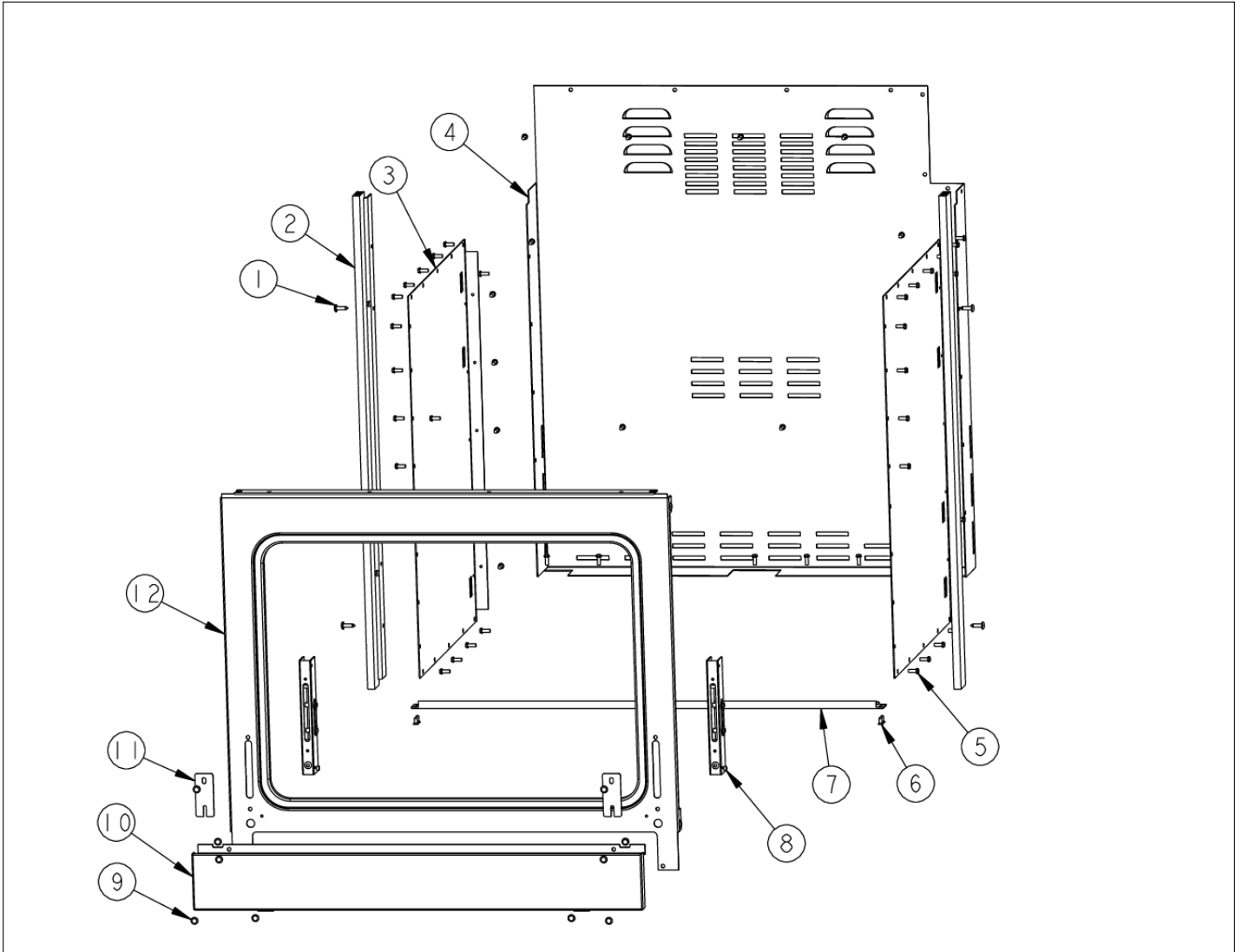
Item	Part No.	Name	Qty	Uom	NOTES
1	PB020126	3/8" S.S. FLEX TUBING 15" (DGCU)	1	EA	
2	A2004434	ORIFICE BRACKET (VGSC306)	1	EA	Not available online / Call for pricing and availability
3	PB040286	#38 (NAT.) BULKHEAD ORIFICE FITTING	1	EA	
4	B2004415	BURNER BRACKET (VGSC306)	1	EA	
5	PD020060	10 X 1/2" (5/16)HEX WSHER HD.(T)A	1	EA	
6	PB040170	BAKE IGNITION ELECTRODE	1	EA	
7	A20010410	MAIN BOTTOM	1	EA	NO LONGER AVAILABLE, Not available online / Call for pricing and availability
8	A20015472	DISCONNECT POWER BRACKET	1	EA	NO LONGER AVAILABLE, Not available online / Call for pricing and availability
9	PD020032	SRW-8(A)X3/8"PH.WFR HD 7/16DIA*NICL	1	EA	
10	006197-000	U-SHAPE BAKE BURNER 8"	1	EA	
11	PD020048	NO.10 X 1/2 TEK 410 SS SCREW	1	EA	
12	A2004424	BURNER COVER (VGSC306)	1	EA	

OVEN EXTERIOR AREA





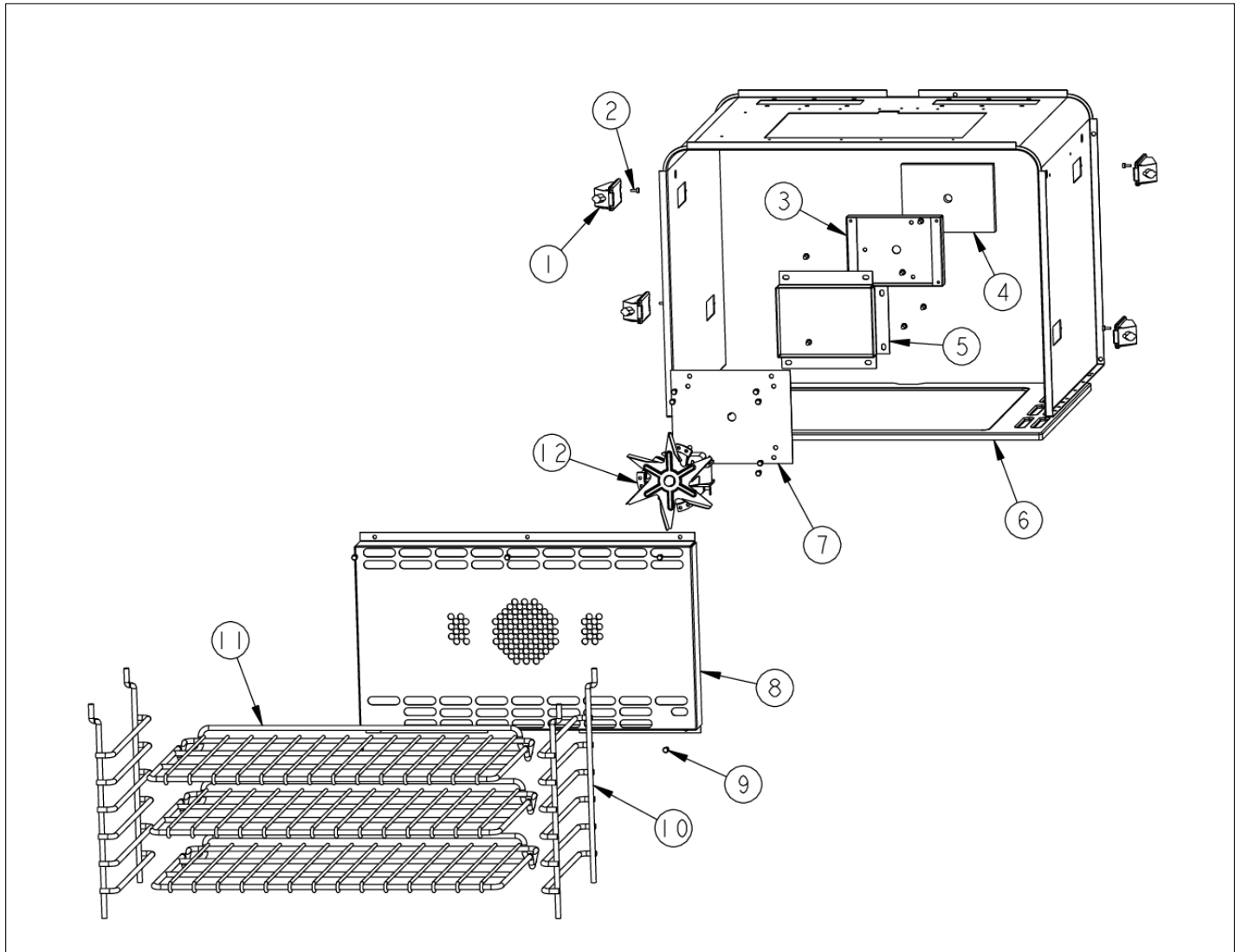
Item	Part No.	Name	Qty	Uom	NOTES
1	PD020014	10X3/4 PH TR HD SMS	1	EA	
2	PE040228	VGSO100 SIDE TRIM	1	EA	
3	A20010409	SIDE INSULATION RETAINER	1	EA	Not available online / Call for pricing and availability
4	A20010428	CABINET BACK	1	EA	
5	PD020060	10 X 1/2" (5/16)HEX WSHER HD.(T)A	1	EA	
6	M0215318	SCREW-SM	1	EA	
7	PE040320	BOTTOM EXTRUSION - VGSO100	1	EA	
8	PC020295	HINGE RECEIVER ASSEMBLY	1	EA	
9	PD020032	SRW-8(A)X3/8"PH.WFR HD 7/16DIA*NICL	1	EA	
10	B20010449	LOWER ACCESS PANEL	1	EA	
10	014250-002	PANEL, ACS, LWR, VGSO100-BK	1	EA	
10	014250-003	PANEL, ACS, LWR, VGSO100-BT	1	EA	
10	014250-004	PANEL, ACS, LWR, VGSO100-SG	1	EA	
10	014250-005	PANEL, ACS, LWR, VGSO100-GG	1	EA	
10	014250-006	PANEL, ACS, LWR, VGSO100-WH	1	EA	
10	014250-008	PANEL, ACS, LWR, VGSO100-BU	1	EA	
10	014250-009	PANEL, ACS, LWR, VGSO100-LE	1	EA	
10	014250-010	PANEL, ACS, LWR, VGSO100-MJ	1	EA	
10	014250-012	PANEL, ACS, LWR, VGSO100-VB	1	EA	
10	014250-013	PANEL, ACS, LWR, VGSO100-CB	1	EA	
10	014250-015	PANEL, ACS, LWR, VGSO100-PL	1	EA	
10	014250-016	PANEL, ACS, LWR, VGSO100-CH	1	EA	
10	014250-017	PANEL, ACS, LWR, VGSO100-TP	1	EA	





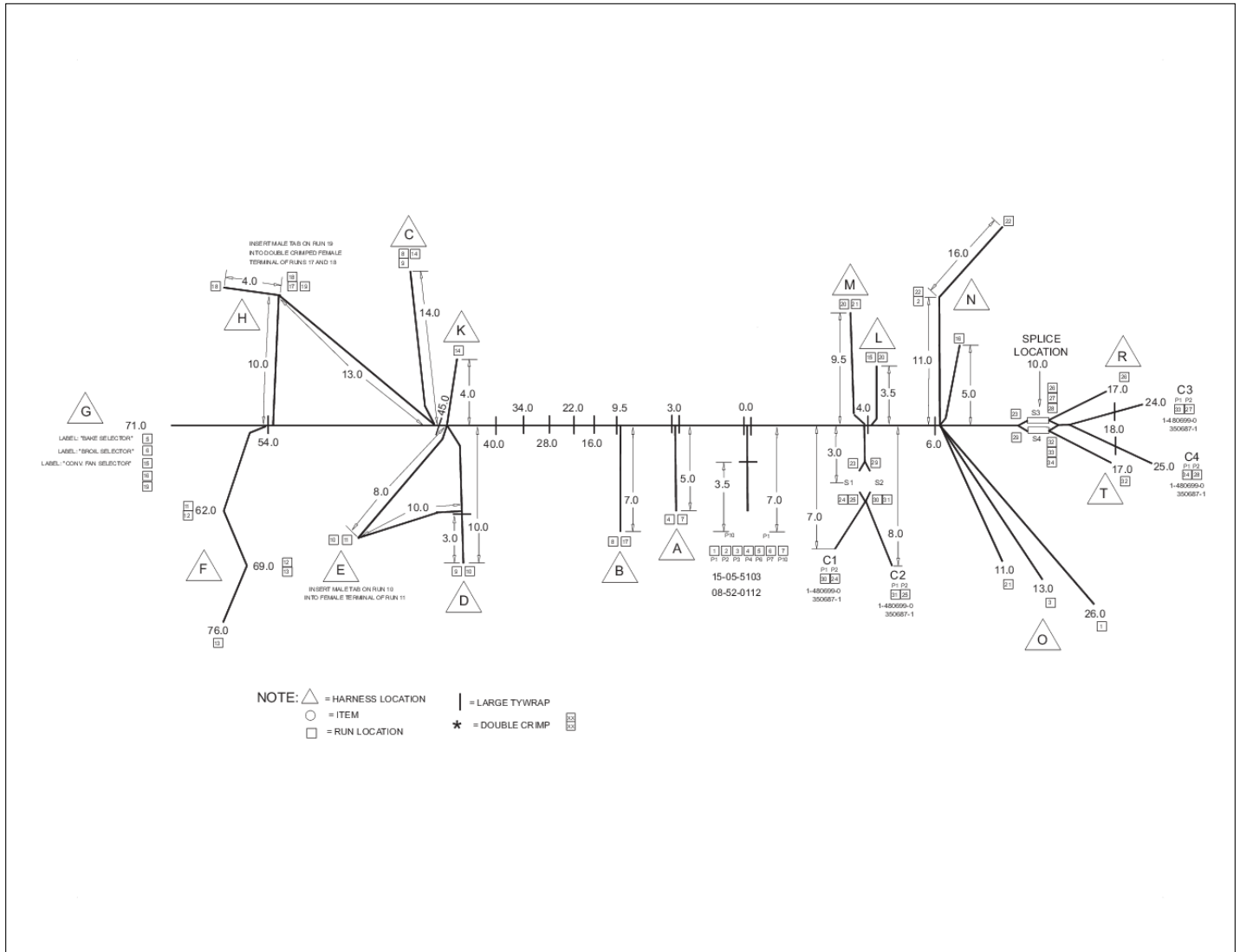
Item	Part No.	Name	Qty	Uom	NOTES
10	014250-018	PANEL, ACS, LWR, VGSO100-CW NLA	1	EA	
10	014250-019	PANEL, ACS, LWR, VGSO100-OG	1	EA	
10	014250-020	PANEL, ACS, LWR, VGSO100-GM	1	EA	
10	014250-021	PANEL, ACS, LWR, VGSO100-SA	1	EA	
10	014250-022	PANEL, ACS, LWR, VGSO100-SE	1	EA	
10	014250-023	PANEL, ACS, LWR, VGSO100-IB	1	EA	
10	014250-024	PANEL, ACS, LWR, VGSO100-AR	1	EA	
10	014250-025	PANEL, ACS, LWR, VGSO100-RR	1	EA	
10	014250-026	PANEL, ACS, LWR, VGSO100-PM	1	EA	
10	014250-027	PANEL, ACS, LWR, VGSO100-MS	1	EA	
11	B1007913	HINGE CLIP (DESIGNER TIME PIECE)	1	EA	
12	H91010411	FRONT FRAME ASSEMBLY	1	EA	
Not Shown	NOTE	(BEFORE 1/2/13)		EA	
12	H91010411BK	FRAME, FRONT, ASM, BK	1	EA	
Not Shown	NOTE	(ON OR AFTER 1/2/13)		EA	

OVEN INTERIOR AREA





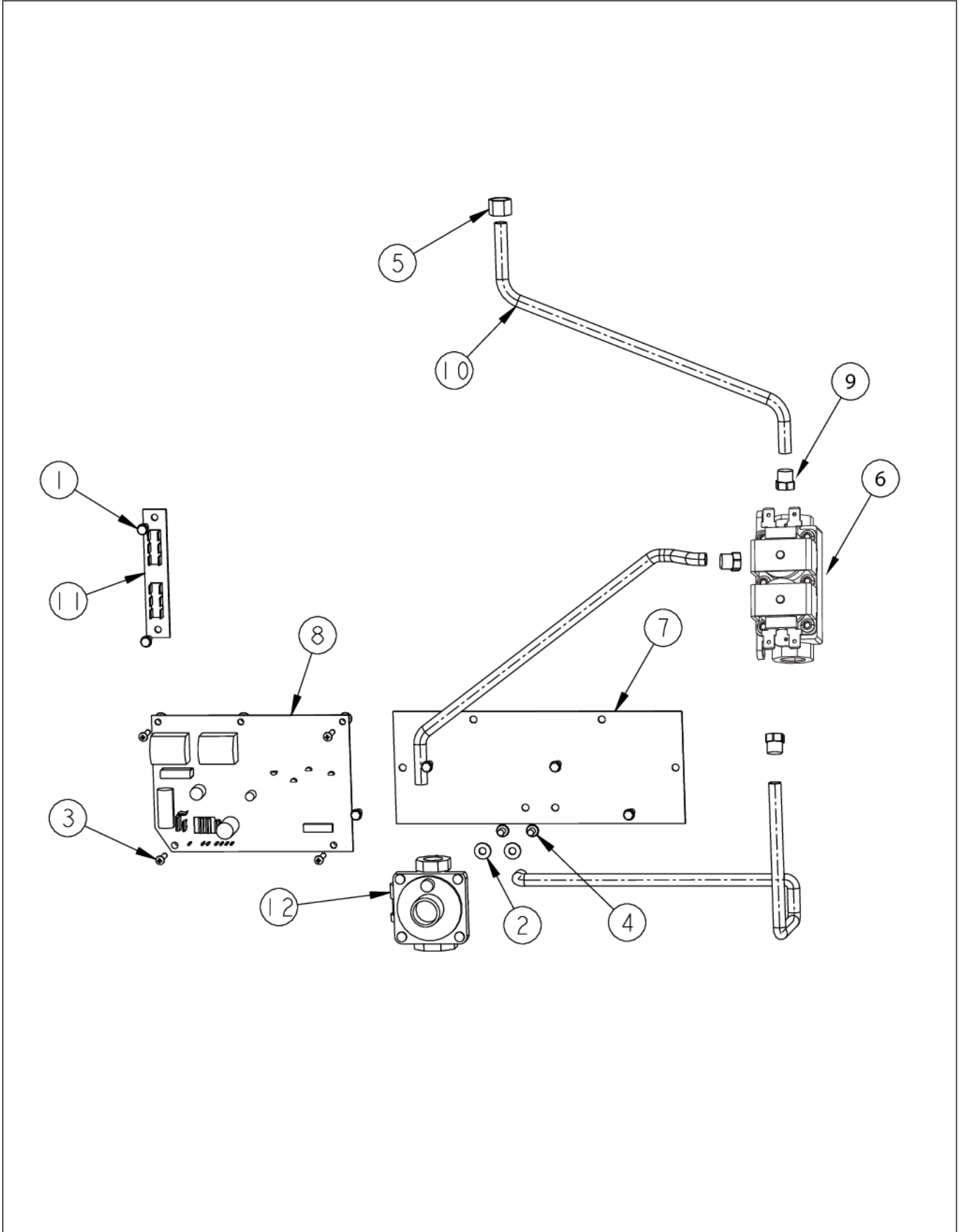
Item	Part No.	Name	Qty	Uom	NOTES
1	PE050148	OVEN LIGHT ASSY. W/32" CABLE		EA	
2	PD020067	' #6 X 3/8" PAN PHIL. TEK *SS*		EA	
3	A2002595	CONVECTION FAN BOX (VDSC)		EA	
4	PB070208	CONVECTION FAN INSULATION		EA	
5	A2008467	INSULATION SHIELD		EA	
NI	003187-000	FLATPAK FAN MOTOR		EA	
6	014922-000	OVEN BOTTOM PAN ASM (VGSC306)	1	EA	
Not Shown	NOTE	(BEFORE 1/2/13)		EA	
6	066203-000	ASM, BOTTOM, CAVITY, OVEN, GAS, 30"	1	EA	
Not Shown	NOTE	(ON OR AFTER 1/2/13)		EA	
7	A1002596	CONVECTION FAN COVER (VDSC)		EA	
8	G91014419	CONVECTION FAN COVER ASSY	1	EA	
Not Shown	NOTE	(BEFORE 1/2/13)		EA	
8	G91014419BK	CONVECTION FAN COVER ASSY, BK	1	EA	
Not Shown	NOTE	(ON OR AFTER 1/2/13)		EA	
9	PD020060	10 X 1/2" (5/16)HEX WSHER HD.(T)A		EA	
10	PB060030	RACK SUPT REPL PB060010		EA	
Not Shown	NOTE	(BEFORE 1/2/13)		EA	
10	066225-402	SUPPORT, RACK D3		EA	
Not Shown	NOTE	(ON OR AFTER 1/2/13)		EA	
11	PB060044	OVEN RK VDSC30/48RH REPL PB060019		EA	
12	PE050057	CONVECTION FAN (VGSC306)		EA	





Item	Part No.	Name	Qty	Uom	NOTES
1	PE070841	HARNESS - VGSO100 - NLA	1	EA	

REAR ELECTRICAL AND GAS FLOW

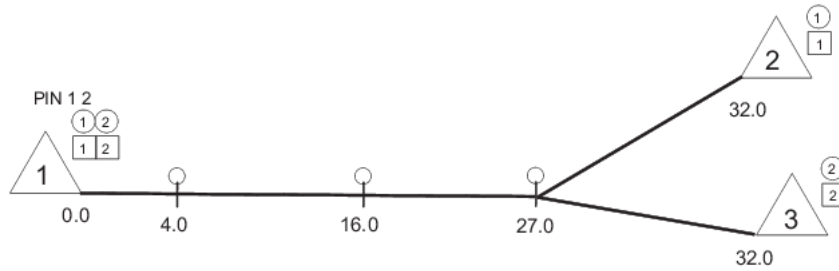




Item	Part No.	Name	Qty	Uom	NOTES
1	PD020060	10 X 1/2" (5/16)HEX WSHER HD.(T)A		EA	
2	PD040071	#10 S.S. FLAT WASHER		EA	
3	PD020185	Screw, 6 X 1" Pan Head		EA	
4	PD020004	10X3/8PH.HD.TYPE 25 REPL PD040125		EA	
5	PB040192	3/8" CC FERREL (DGCU)		EA	
6	PA010139	F J T VALVE REPL PA010079		EA	
Not Shown	NOTE	(BEFORE 12/13/10)		EA	
6	009112-000	VALVE, SOL, DOUBLE	1	EA	
Not Shown	NOTE	(ON OR AFTER 12/30/10)		EA	
7	A10015451	BACK INSUL. RETAINER COVER		EA	NO LONGER AVAILABLE, Not available online / Call for pricing and availability
8	PA020035	DSI MODULE REPL PA020027		EA	
9	PB040050	3/8CC MALE COMP. FITTING W/FERRULE	3	EA	
10	PB020126	3/8" S.S. FLEX TUBING 15" (DGCU)		EA	
11	PE050001	TERMINAL BOARD		EA	
12	PA070015	PRESSURE REGULATOR (VGSO100)		EA	
12	006069-000	LP PRESSURE REGULATOR - NLA		EA	

SIMPLE HARNESSSES

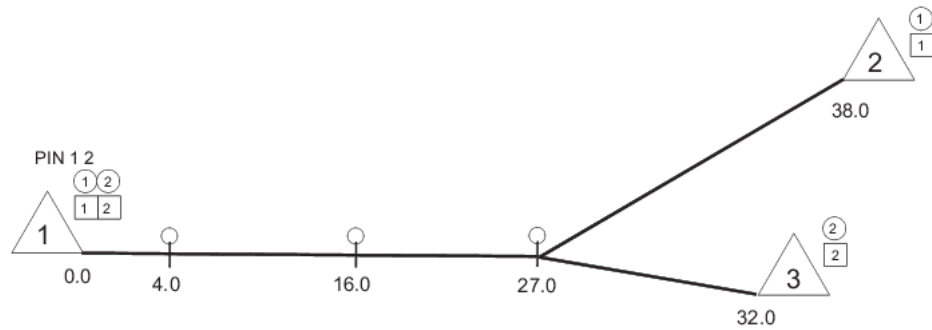
1



NOTE:

- △ = HARNESS LOCATION
- = ITEM
- = RUN LOCATION
- | = LARGE TYWRAP
- | = SMALL TYWRAP
- * = DOUBLE CRIMP

2



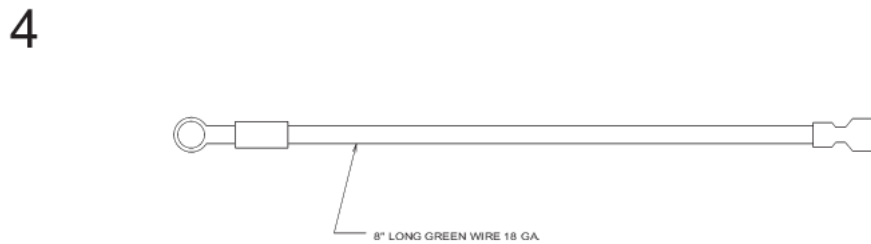
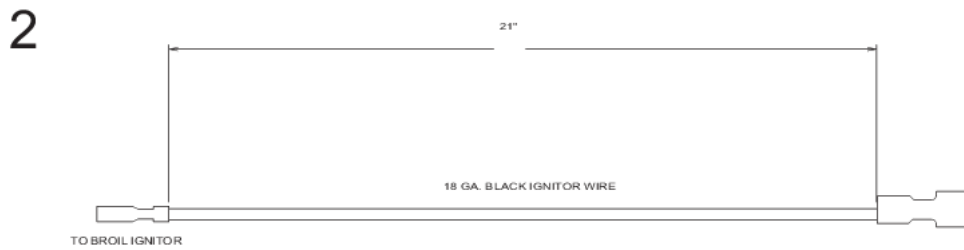
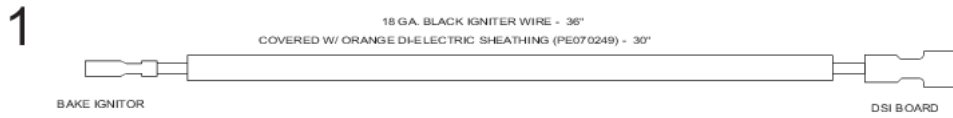
NOTE:

- △ = HARNESS LOCATION
- = ITEM
- = RUN LOCATION
- | = LARGE TYWRAP
- | = SMALL TYWRAP
- * = DOUBLE CRIMP



Item	Part No.	Name	Qty	Uom	NOTES
1	PE070615	HARNESS - DISCONNECT POWER (CAP)	1	EA	
2	PE070616	HARNESS - DISCONNECT POWER (PLUG)	1	EA	

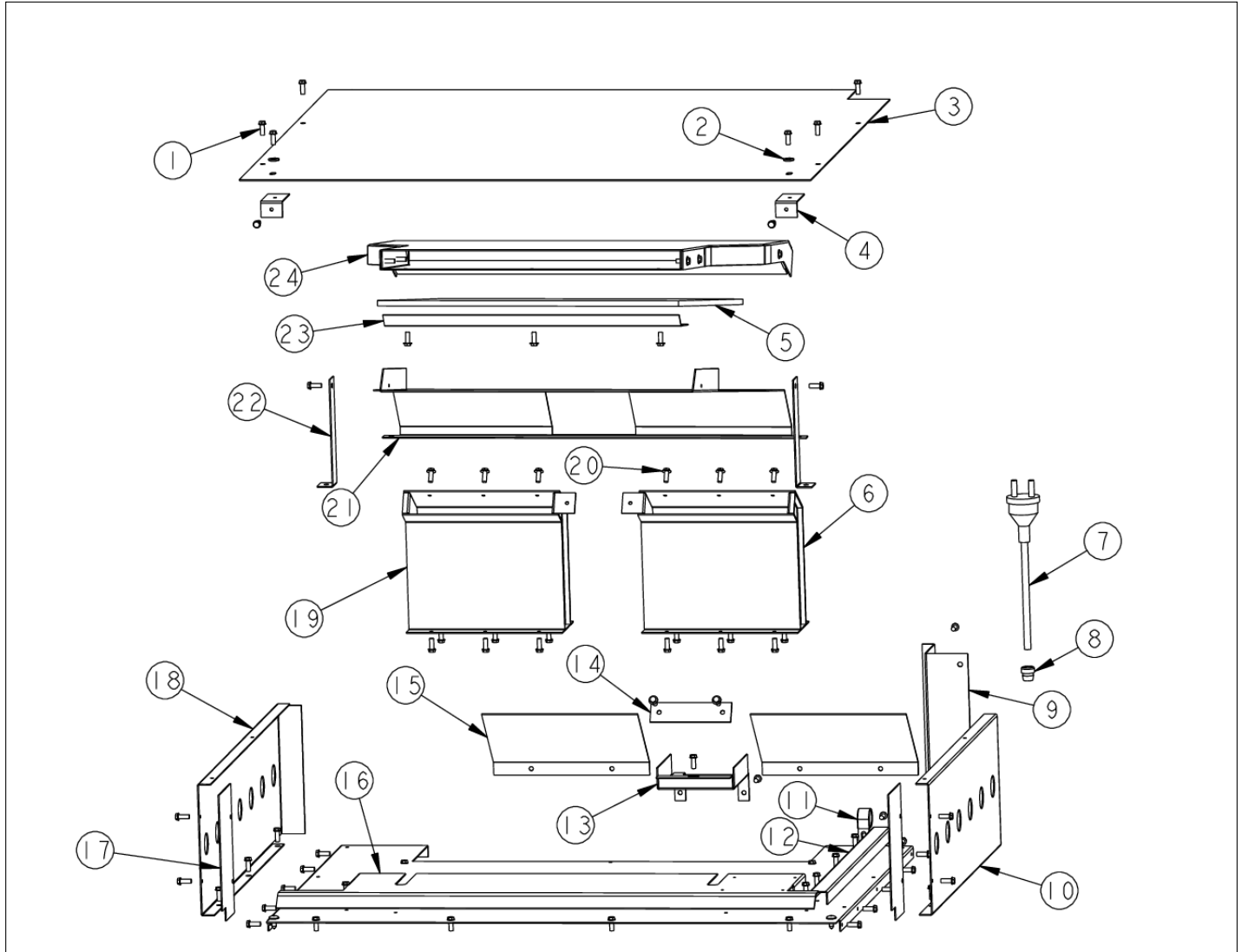
SIMPLE WIRING





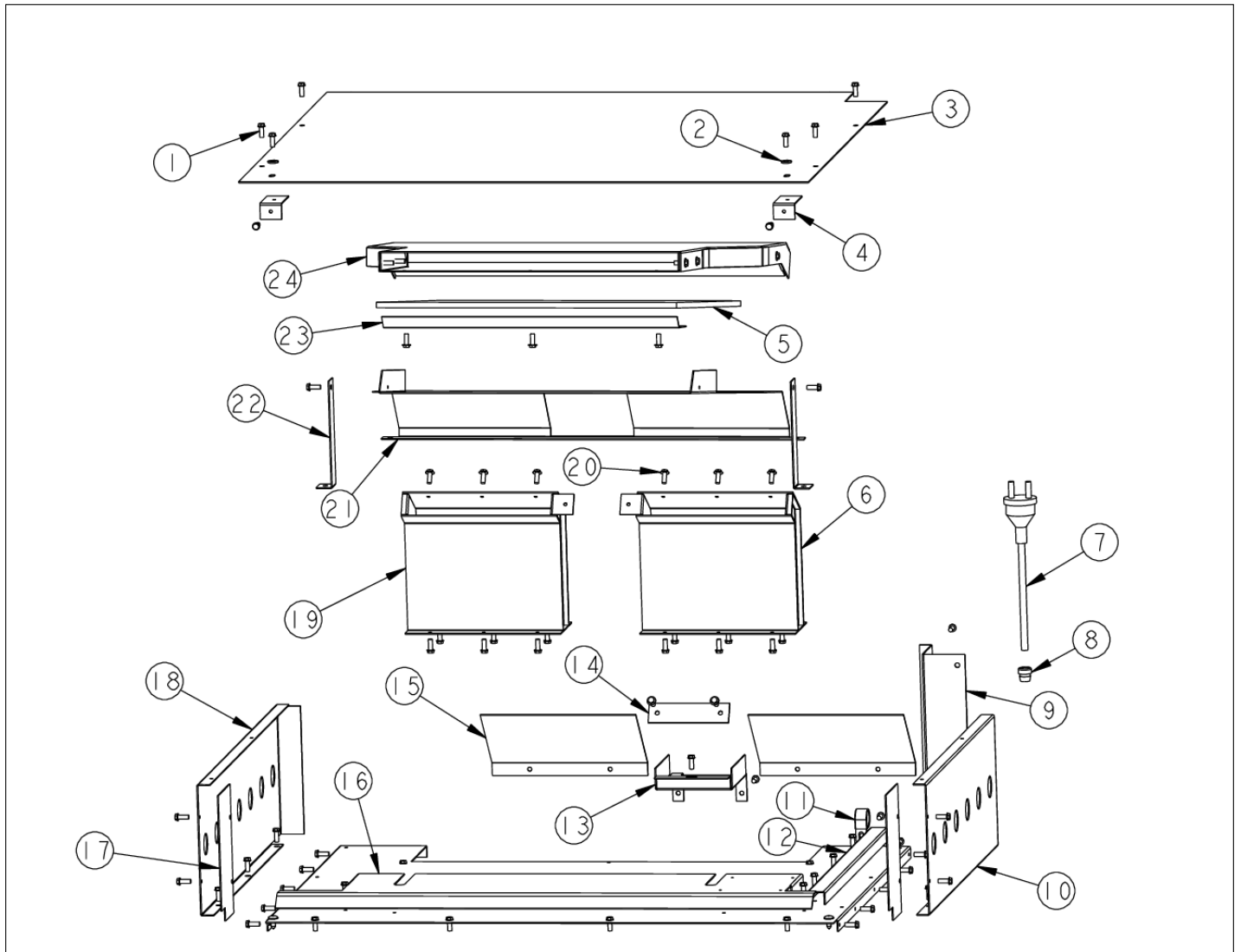
Item	Part No.	Name	Qty	Uom	NOTES
1	G40015380	IGNITOR WIRE - 36"	1	EA	
2	G40015381	IGNITOR WIRE - 21"	1	EA	
3	PE070868	RTD WIRE	1	EA	
4	G4000936	GROUND WIRE	1	EA	

UPPER UNIT AREA



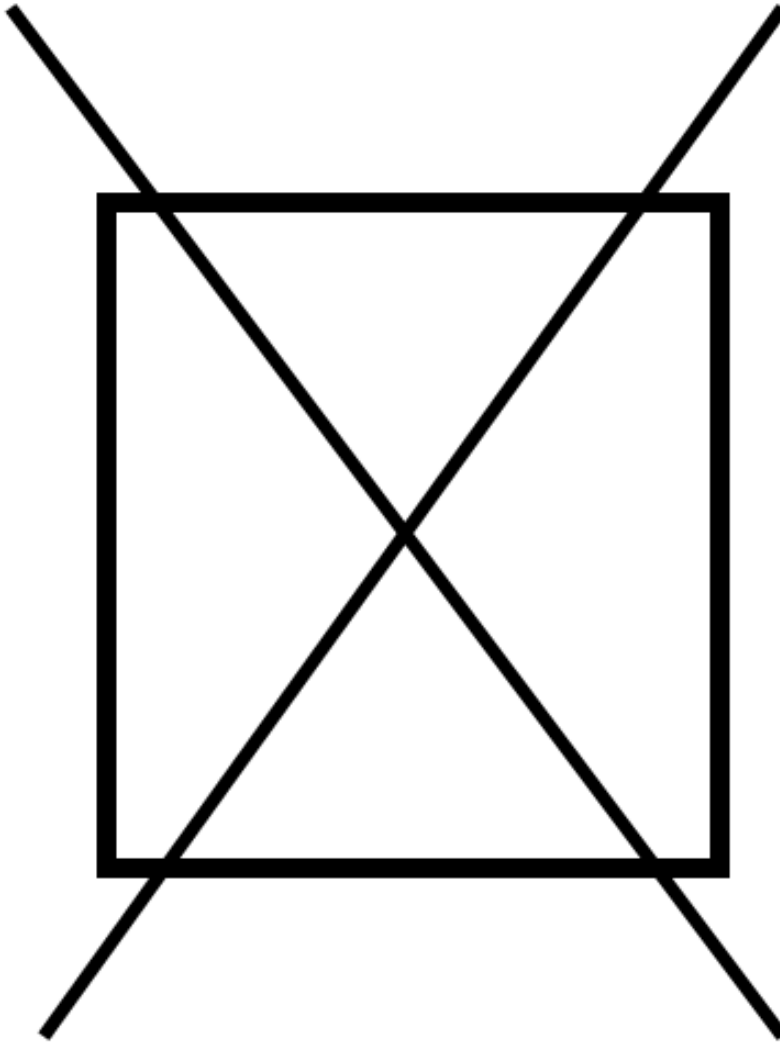


Item	Part No.	Name	Qty	Uom	NOTES
1	PD020060	10 X 1/2" (5/16)HEX WSHER HD.(T)A	1	EA	
2	PD040050	6MM FAN WASHER	1	EA	
3	A20010442	CABINET TOP	1	EA	
4	A20015436	CONTROL PANEL BRACKET	1	EA	NO LONGER AVAILABLE, Not available online / Call for pricing and availability
5	PB070379	TOP FLUE INSULATION PAD	1	EA	NO LONGER AVAILABLE, Not available online / Call for pricing and availability
6	G30015438	FLUE ASSY	1	EA	NO LONGER AVAILABLE, Not available online / Call for pricing and availability
7	G4008493	SUPPLY CORD ASSY- VGSU	1	EA	
8	PE070069	STRAIGHT-THRU BUSHING	1	EA	
9	A20015459	BACK CORNER INSERT	1	EA	Not available online / Call for pricing and availability
10	A20010418	CABINET SIDE RIGHT	1	EA	
11	PD030109	INSULATED CLAMP	1	EA	
12	A20015471	WIRE CHANNEL	1	EA	Not available online / Call for pricing and availability
13	A20015442	BROIL BURNER, INSUL. RET.	1	EA	NO LONGER AVAILABLE, Not available online / Call for pricing and availability
14	A10015447	FLUE BRIDGE	1	EA	NO LONGER AVAILABLE, Not available online / Call for pricing and availability
15	A20015443	FLUE INSUL. RETAINER	1	EA	NO LONGER AVAILABLE, Not available online / Call for pricing and availability



Item	Part No.	Name	Qty	Uom	NOTES
16	L20015440	HEAT SHIELD	1	EA	NO LONGER AVAILABLE, Not available online / Call for pricing and availability
17	010780-000	PNL, CTRL, INR, MT, RH	1	EA	
NI	010781-000	PNL, CTRL, INR, MT, LH	1	EA	
18	A20010419	CABINET SIDE LEFT	1	EA	
19	G30015446	FLUE ASSEMBLY (LEFT)	1	EA	NO LONGER AVAILABLE, Not available online / Call for pricing and availability
20	PD020048	NO.10 X 1/2 TEK 410 SS SCREW	1	EA	
21	A20010416	FLUE SHIELD	1	EA	NO LONGER AVAILABLE, Not available online / Call for pricing and availability
22	A20010426	FLUE STANDOFF	1	EA	NO LONGER AVAILABLE, Not available online / Call for pricing and availability
23	B20015441	AIR FLUE EXTENSION	1	EA	NO LONGER AVAILABLE
24	G30015453	VGSO100, TOP FLUE WELD ASSY	1	EA	NO LONGER AVAILABLE
NI	PJ030014	HEAT SENSOR (N.O.) 160 DEG.	1	EA	

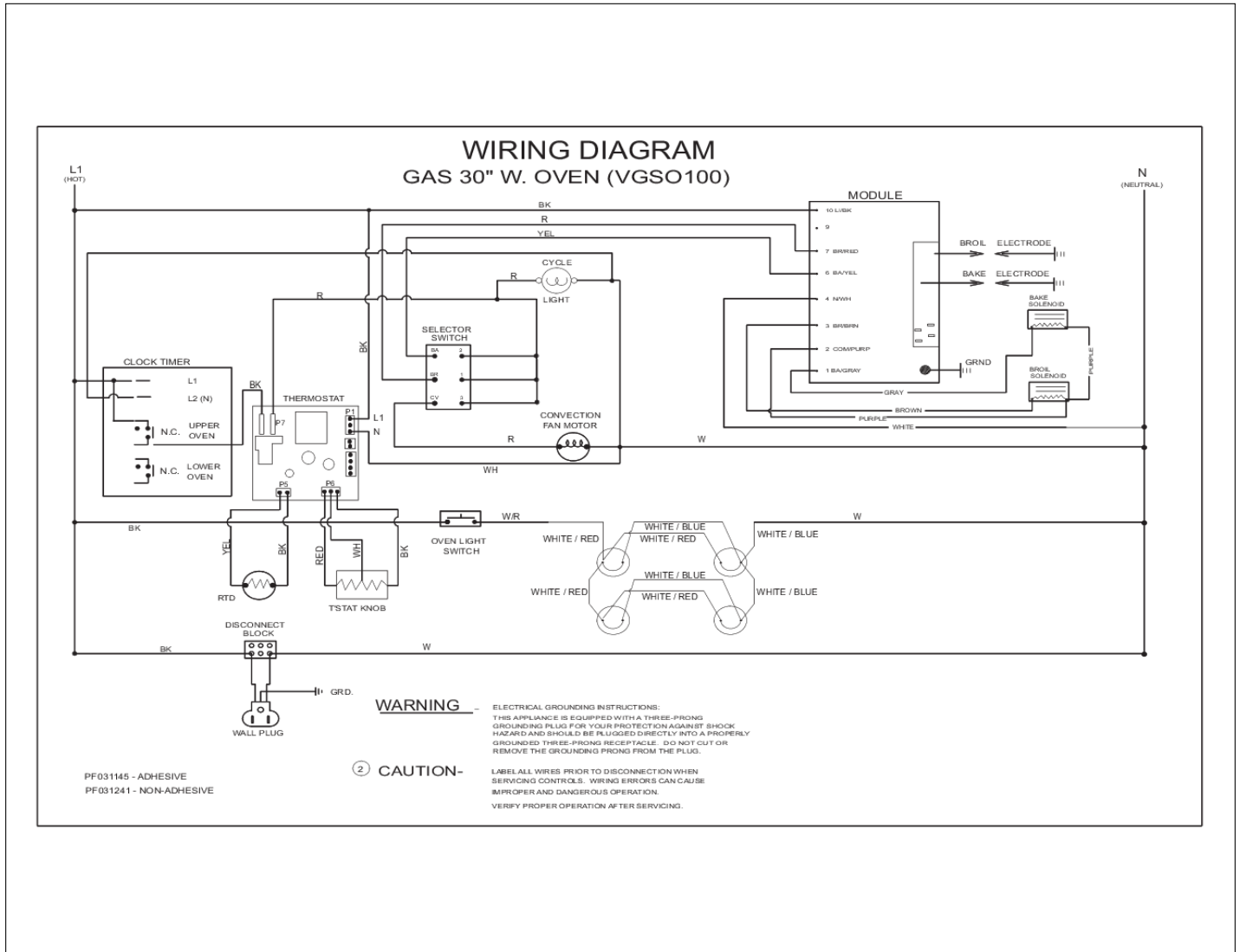
NON
ILLUSTRATED PART





Item	Part No.	Name	Qty	Uom	NOTES
NI	031287-000	2-FAN SERVICE KIT, VGSO100 ASM	1	EA	

WIRING DIAGRAM





Appendix A:Pages Index

BROIL BURNER AREA 1
CONTROL AREA 2
DOOR ASSEMBLY 3
LOWER UNIT AREA 4
OVEN EXTERIOR AREA 5
OVEN INTERIOR AREA 6
PE070841 7
REAR ELECTRICAL AND GAS FLOW 8
SIMPLE HARNESES 9
SIMPLE WIRING 10
UPPER UNIT AREA 11
VGSO100 BLOWER KIT 12
WIRING DIAGRAM 13



Appendix B:Parts Index

000268-000	3	036839-000	3, 3
000594-000	3	039137-000	1
000623-000	3	066203-000	6
000691-000	2	066225-402	6
003187-000	6	A10015447	11
006069-000	8	A10015451	8
006197-000	4	A1002596	6
008770-000	2	A20010407	2
009112-000	1, 8	A20010409	5
010757-000	2	A20010410	4
010780-000	11	A20010416	11
010781-000	11	A20010418	11
014250-002	5	A20010419	11
014250-003	5	A20010426	11
014250-004	5	A20010428	5
014250-005	5	A20010432	3
014250-006	5	A20010442	11
014250-008	5	A20015436	11
014250-009	5	A20015442	11
014250-010	5	A20015443	11
014250-012	5	A20015459	11
014250-013	5	A20015471	11
014250-015	5	A20015472	4
014250-016	5	A2002367	3
014250-017	5	A2002595	6
014250-018	5	A2004424	4
014250-019	5	A2004434	4
014250-020	5	A2007943	3
014250-021	5	A2008467	6
014250-022	5	B1007913	5
014250-023	5	B20010433	3
014250-024	5	B20010449	5
014250-025	5	B2001448	1
014250-026	5	B20015441	11
014250-027	5	B2004415	4
014922-000	6	B2005589	1
031287-000	12	B92014426	2
035909-000	2	C90010433AL	3
035910-000	2	C90010433BK	3
036487-000	2	C90010433BT	3
		C90010433BU	3



C90010433CB	3	G32015461VB	3
C90010433EP	3	G32015461VBBR	3
C90010433FG	3	G32015461WH	3
C90010433GG	3	G32015461WHBR	3
C90010433LE	3	G4000936	10
C90010433MJ	3	G40015380	10
C90010433SG	3	G40015381	10
C90010433VB	3	G40015469	2
C90010433WH	3	G4008493	11
C92014426BK	2	G91010431	3
C92014426WH	2	G91010431BK	3
E2004409	1	G91014419	6
E2004410	1	G91014419BK	6
G30015438	11	G9102745	3
G30015446	11	G9102745BK	3
G30015453	11	H91010411	5
G3001876	1	H91010411BK	5
G32015461AL	3	L20015440	11
G32015461ALBR	3	M0215318	5
G32015461BK	3	M0235318	2
G32015461BKBR	3	PA010139	8
G32015461BT	3	PA020035	8
G32015461BTBR	3	PA070015	8
G32015461BU	3	PB010304	2
G32015461BUBR	3	PB010304PVD	2
G32015461CB	3	PB010305	2
G32015461CBBR	3	PB010306	2
G32015461EP	3	PB010307	2
G32015461EPBR	3	PB010308	2
G32015461FG	3	PB010309	2
G32015461FGBR	3	PB010310	2
G32015461GG	3	PB010311	2
G32015461GGBR	3	PB010312	2
G32015461LE	3	PB010329	2
G32015461LEBR	3	PB010330	2
G32015461MJ	3	PB020126	1, 4, 8
G32015461MJBR	3	PB040026	1
G32015461SG	3	PB040027	1
G32015461SGBR	3	PB040050	8
G32015461SS	3	PB040170	4
G32015461SSBR	3	PB040171	1



PB040178	1	PE050206	1
PB040192	1, 8	PE050213	2
PB040286	4	PE060030	3
PB060030	6	PE060031	3
PB060044	6	PE060045	3
PB070208	6	PE060064	3
PB070379	11	PE070069	11
PC020226	3	PE070615	9
PC020290	3	PE070616	9
PC020295	5	PE070841	7
PD010019	3	PE070868	10
PD020002	2, 3	PJ030004	2
PD020004	3, 8	PJ030014	11
PD020006	2	PJ030043	2
PD020014	3, 5		
PD020032	1, 2, 3, 4, 5		
PD020044	2		
PD020048	4, 11		
PD020060	1, 4, 5, 6, 8, 11		
PD020067	6		
PD020185	8		
PD030006	3		
PD030018	1		
PD030109	11		
PD040050	11		
PD040071	8		
PD040160	2		
PE010016	3		
PE010017	3		
PE010079	3		
PE010080	3		
PE030001PVD	3		
PE030179	3		
PE030179PVD	3		
PE040228	5		
PE040303	2		
PE040320	5		
PE050001	8		
PE050023	2		
PE050057	6		
PE050148	6		