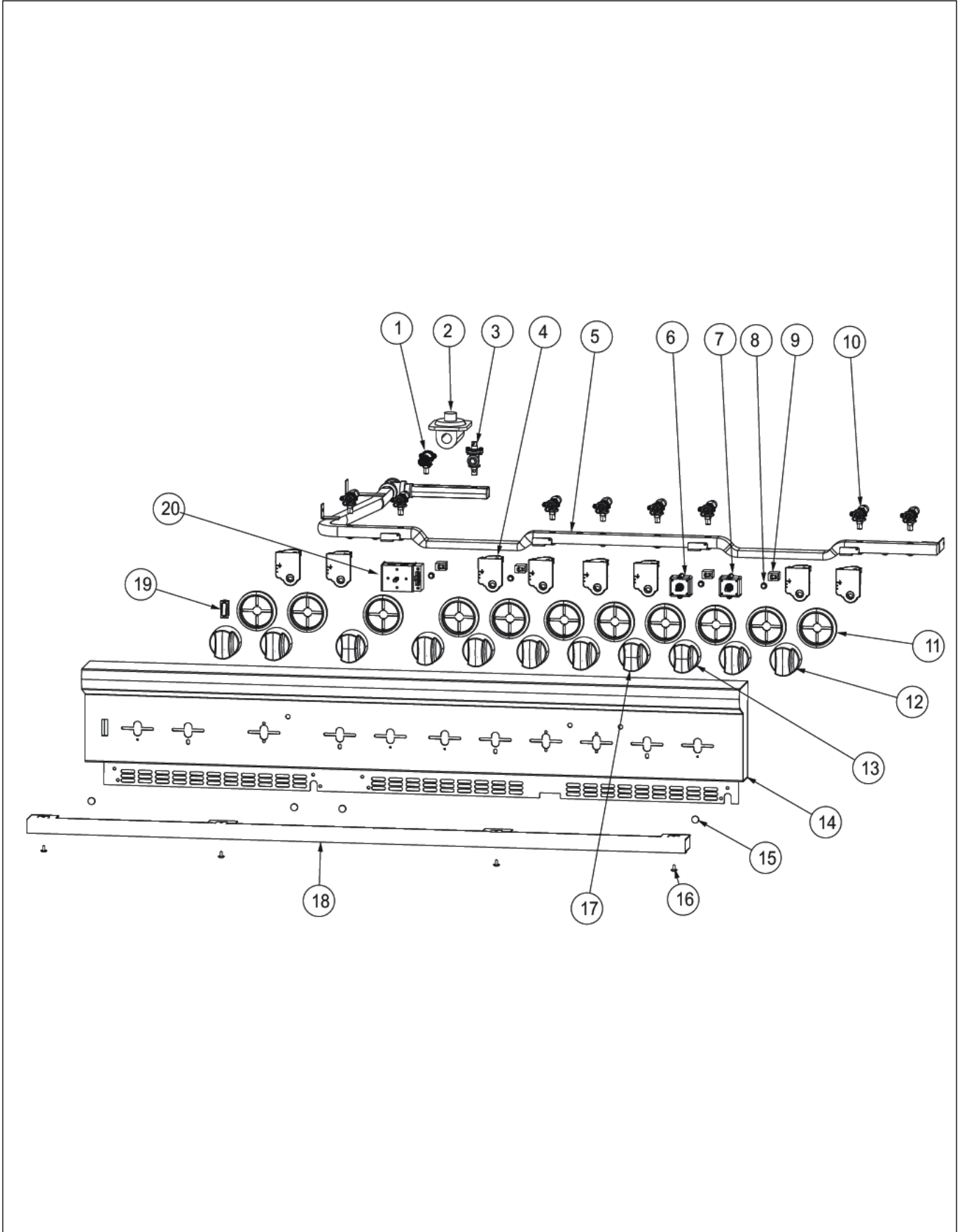


VGSC548-8B

CONTROL AREA	1
LH DOOR ASSEMBLY	2
LH OVEN CAVITY	3
LOWER UNIT AND SIDE PANEL	4
OVEN ELECTRONICS	5
REAR SHEET METAL	6
RH DOOR ASSEMBLY	7
RH OVEN CAVITY	8
SURFACE COOKING AREA	9
WIRING	10
Appendix A:Pages Index	A
Appendix B:Parts Index	B

CONTROL AREA





Item	Part No.	Name	Qty	Uom	NOTES
1	013320-000	VALVE, SHUTOFF, 90 DEGREE	1	EA	
2	PA070003	PRESSURE REGULATOR	1	EA	
3	007147-000	SHUTOFF VALVE ASSY	1	EA	
4	PA020058	IRIS SINGLE SPARK MODULE	8	EA	
5	012794-000	MANIFOLD,ASM,48" 8B/6Q	1	EA	
6	PJ030034	SELECTOR, 6 POS	1	EA	
7	PJ030035	THERMOSTAT	2	EA	

Comments for Part Num. PJ030035

parts@lvdistributes.com on Feb 7, 2018

this is not the correct part for this range it should be a 003225-000

Reply by JREXEC02@AOL.COM on Feb 27, 2018

003225-000 is an Induction Control.

PJ030035 is the red colored thermostat for the Gas Range

8	PE050023	OVEN IND. LIGHT (LENS & BEZEL)	4	EA	
9	PE050024	OVEN IND. LIGHT (LIGHT HOUSING)	4	EA	

Comments for Part Num. PE050024

haarnink@vikingrange.com on Jan 14, 2019

please note that the indicator light is now part 043135-000 but needs the Jumper harness 051443-000. and second option there are units in the field with a 230V indicator light part number 036566-000.

please check this for all "E" module ranges/Tops

10	006313-000	VALVE, BRS, SEALED TOP	8	EA	
11	050172-000	BEZEL, KNOB	11	EA	
12	006570-000	KNOB, GRDL/(LH OVEN), ASM, PVD, #3, SSS	1	EA	

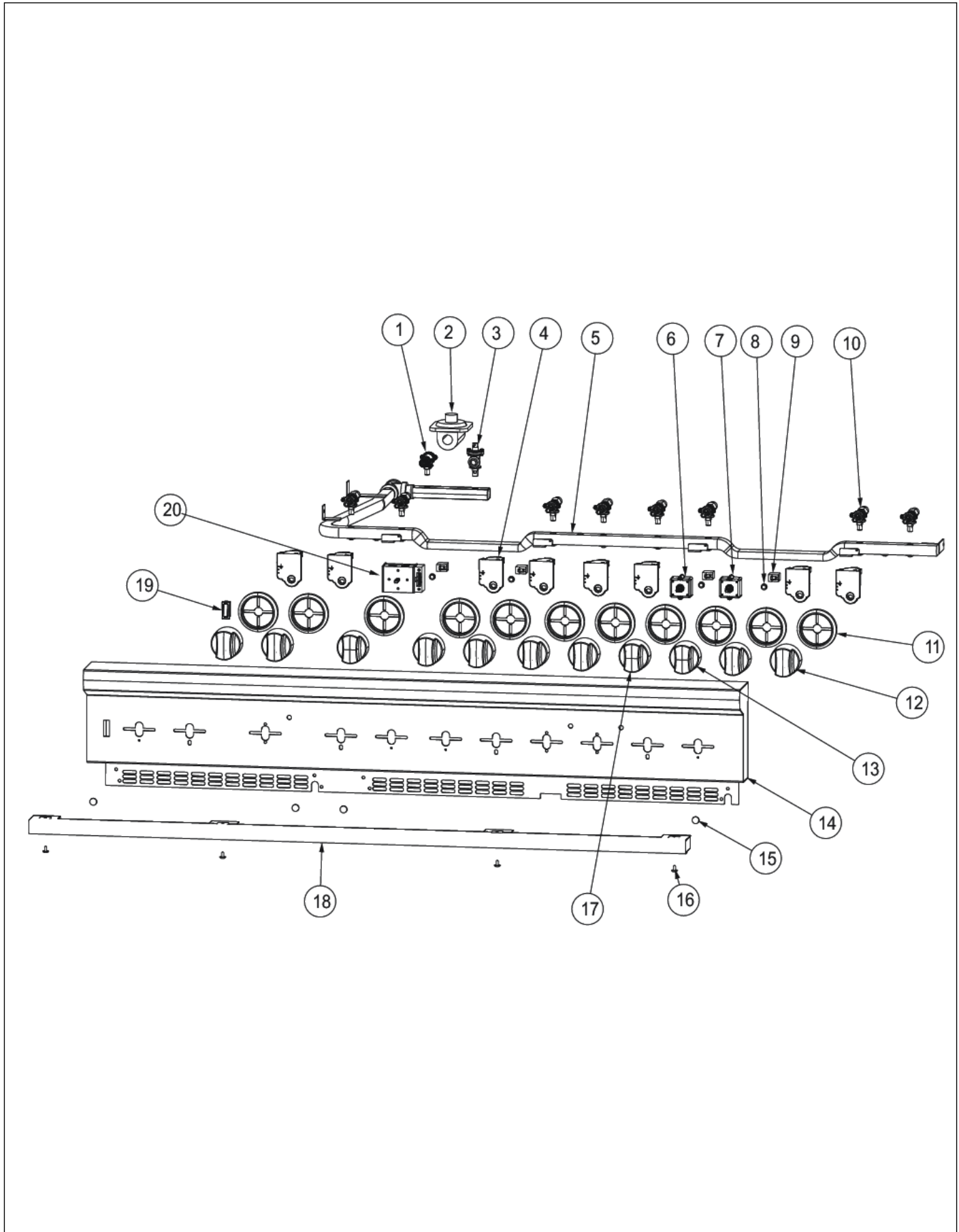
Comments for Part Num. 006570-000

bradleysapplianceservice@shaw.ca on Aug 25, 2015

006570-000 Griddle Knob Satin Stainless Steel (SSS) - Serial Break: Before 12/20/12

035883-000 Griddle Knob Stainless Steel (SS) - Serial Break After 12/20/12

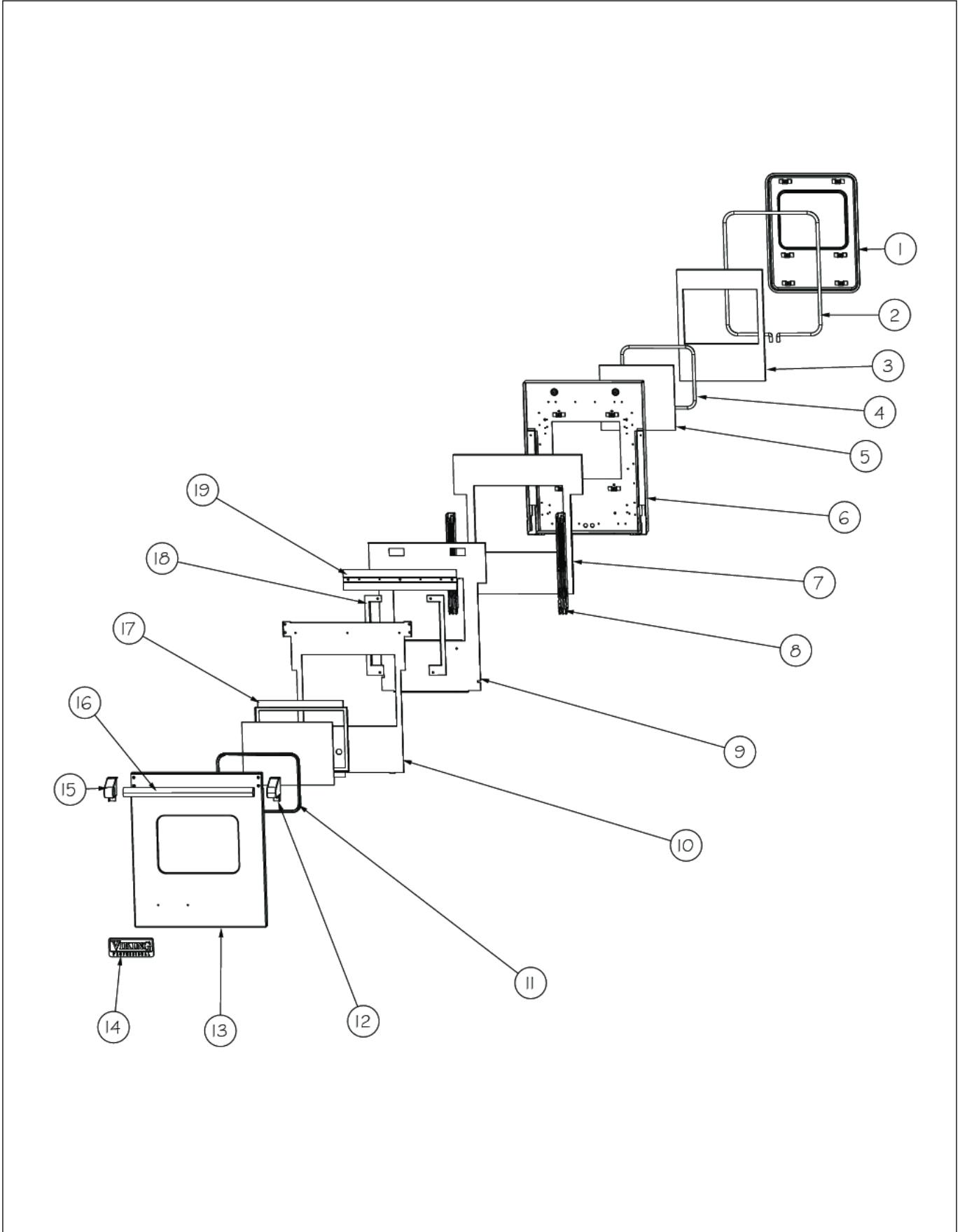
If stainless steel (SS) is required: Use part number 035883-000 Griddle Knob



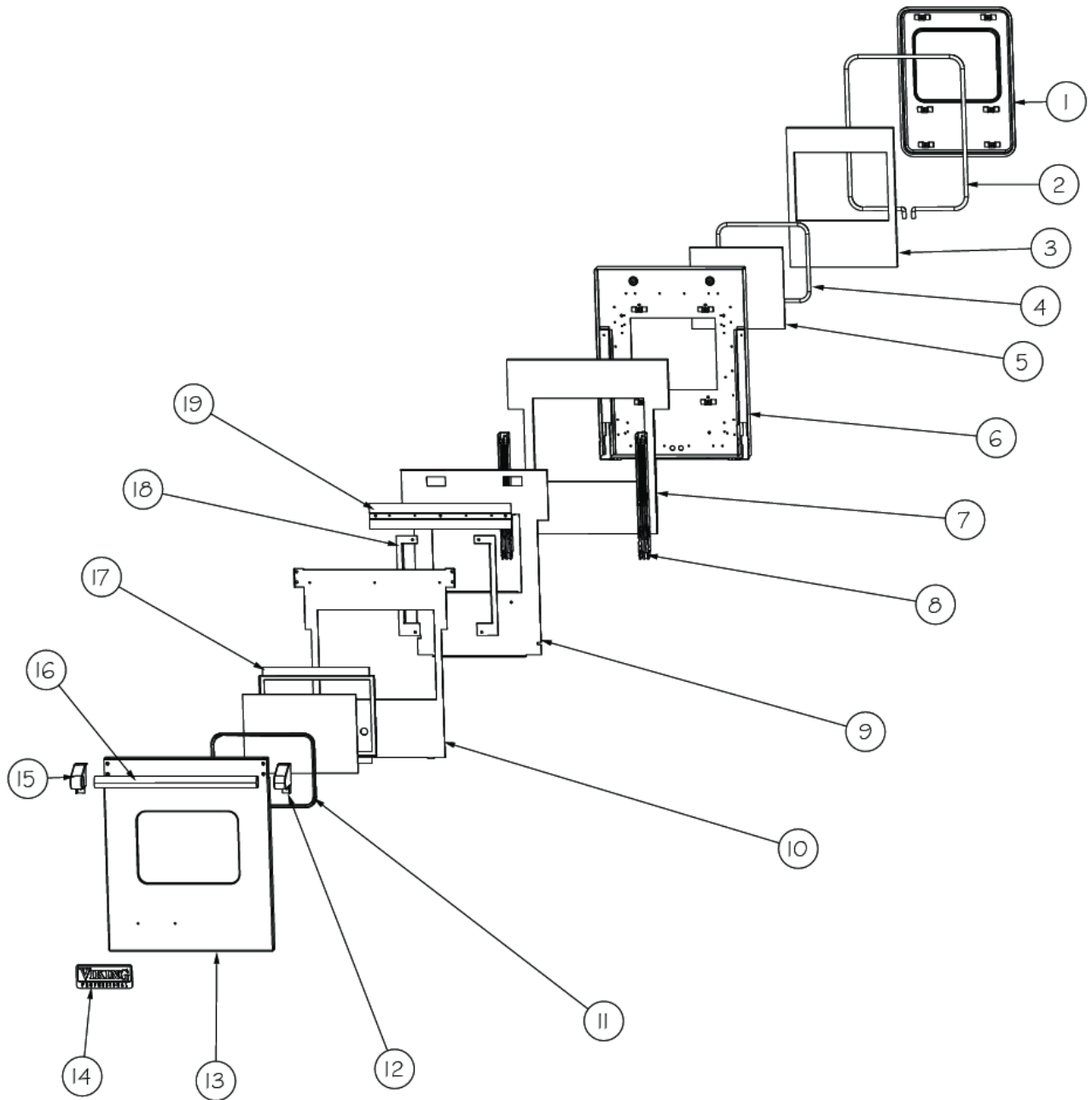


Item	Part No.	Name	Qty	Uom	NOTES
Not Shown	NOTE	BEFORE 12/20/12		EA	
12	035883-000	KNOB,GRDL,PRO CR3	1	EA	
Not Shown	NOTE	AFTER12/20/12		EA	
13	005269-000	RANGE TOP BURNER KNOB-BRUSHED, SSS	8	EA	
Not Shown	NOTE	BEFORE 12/20/12		EA	
13	035881-000	KNOB, BNR, TOP PRO CR3	8	EA	
Not Shown	NOTE	AFTER12/20/12		EA	
14	042418-2104	CONTROL PANEL WELD ASSY, VGSC548-8B	1	EA	
15	PD040004	GROMMET BUMPER	4	EA	
16	PD020032	SRW-8(A)X3/8"PH.WFR HD 7/16DIA*NICL	4	EA	
17	008415-000	KNOB, SEL, #3 SSS, ASM, VGSC	2	EA	
Not Shown	NOTE	BEFORE 12/20/12		EA	
17	035887-000	KNOB,OVN,SEL, PRO VGSC CR3	2	EA	
Not Shown	NOTE	AFTER12/20/12		EA	
18	006424-000	HANDLE, DRIP, ASM, SST, VDSC548	1	EA	
19	003719-000	OVEN LIGHT SWITCH, BLACK	1	EA	
20	013213-000	TSTAT, SMPS, ELEC, 2-POS, .91" SHAFT, CB	1	EA	
NI	014328-000	COVER, RGLR, 48" GAS	1	EA	

LH DOOR ASSEMBLY

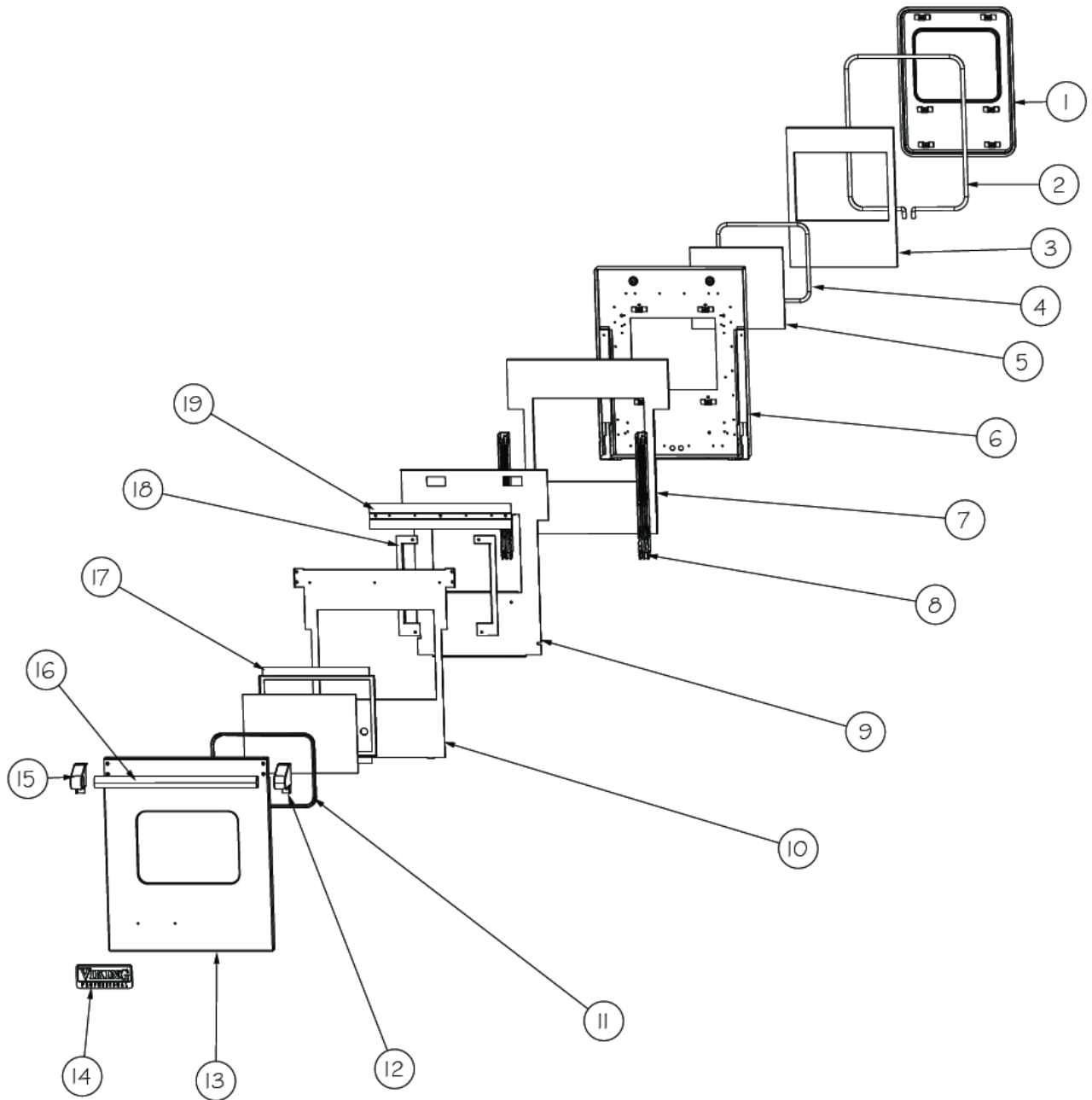


Item	Part No.	Name	Qty	Uom	NOTES
1	000943-000	PLUG, DOOR, WELD 48 LH	1	EA	
2	000080-000	48" LH DOOR GASKET	1	EA	
3	PB070145	SUPERWOOL 5" X 24" X 3'	1	EA	
4	000594-000	BLACK FIBERGLASS ROPE 3/8	1	EA	
5	PE060032	GLASS (HEAT BARRIER) LH DF48DOOR	2	EA	
6	007221-000	LINER, DOOR, WELD ASM (Before 12/20/2012)	1	EA	
7	PB070145	SUPERWOOL 5" X 24" X 3'	1	EA	
8	013303-000	HINGE, DOOR, VR 18" YELLOW SPRING	2	EA	
9	007202-000	DOOR, INNER HEAT SINK, VGCC/SC 48" LH	1	EA	
10	007222-000	PANEL, INSL, DOORSKIN, VGSC 18"	1	EA	
11	PE060046	J-MOLD LH SS (DF48 DOOR)	1	EA	
Not Shown	NOTE	(MUST ORDER ITEM # 13)		EA	
12	003012-000	DOOR HANDLE ENDCAP ASSY, RH (CHROME)	1	EA	
13	019975-000	48" DOOR SKIN SRV KIT LH	1	EA	
13	020038-002	LH DOOR SKIN KIT SRV, VGSC548 BK	1	EA	
13	020038-003	LH DOOR SKIN KIT SRV, VGSC548 BT	1	EA	
13	020038-004	LH DOOR SKIN KIT SRV, VGSC548 SG	1	EA	
13	020038-005	LH DOOR SKIN KIT SRV, VGSC548 GG	1	EA	
13	020038-006	LH DOOR SKIN KIT SRV, VGSC548 WH	1	EA	
13	020038-008	LH DOOR SKIN KIT SRV, VGSC548 BU	1	EA	
13	020038-009	LH DOOR SKIN KIT SRV, VGSC548 LE	1	EA	
13	020038-010	LH DOOR SKIN KIT SRV, VGSC548 MJ	1	EA	
13	020038-012	LH DOOR SKIN KIT SRV, VGSC548 VB	1	EA	
13	020038-013	LH DOOR SKIN KIT SRV, VGSC548 CB	1	EA	

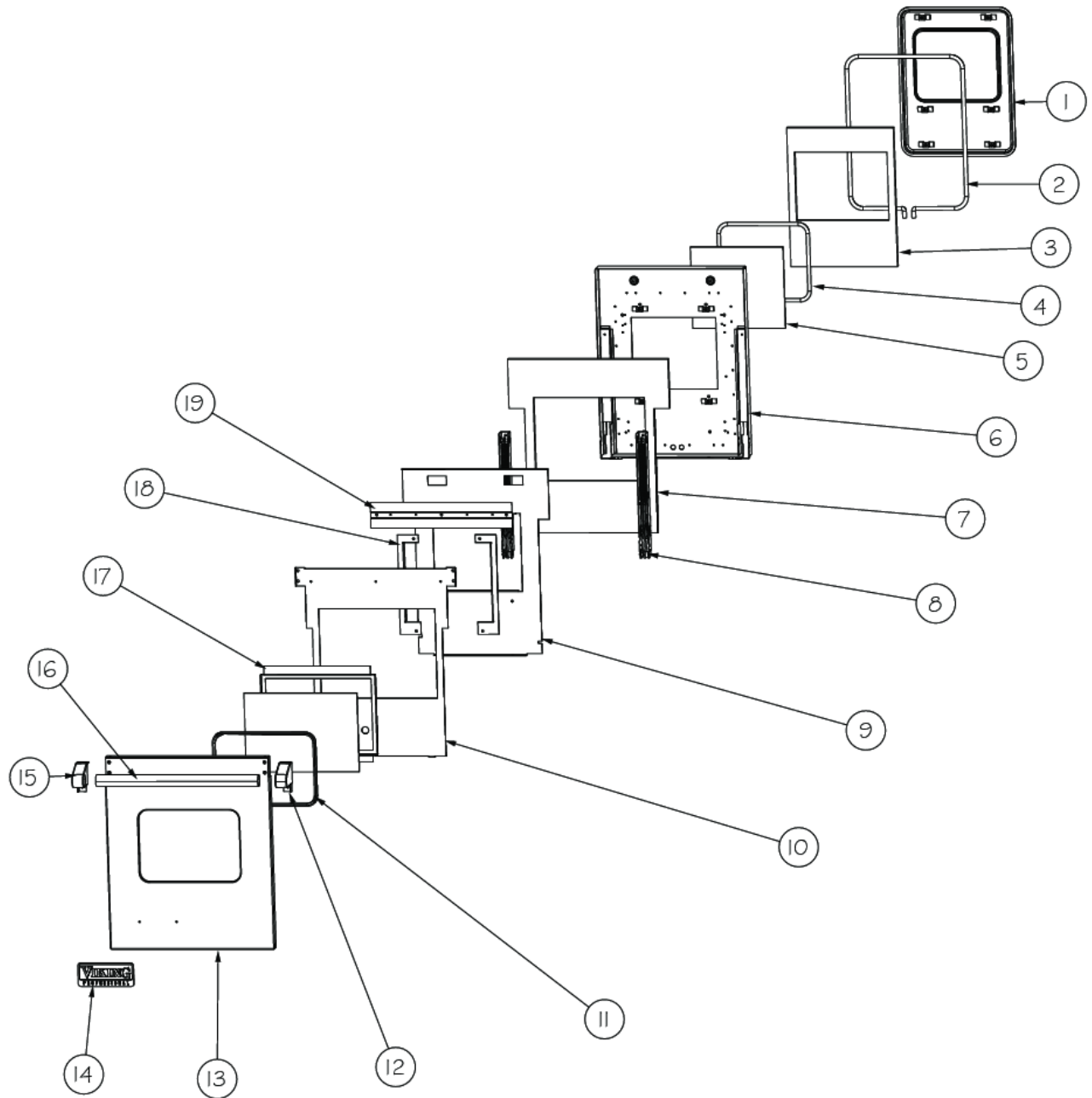




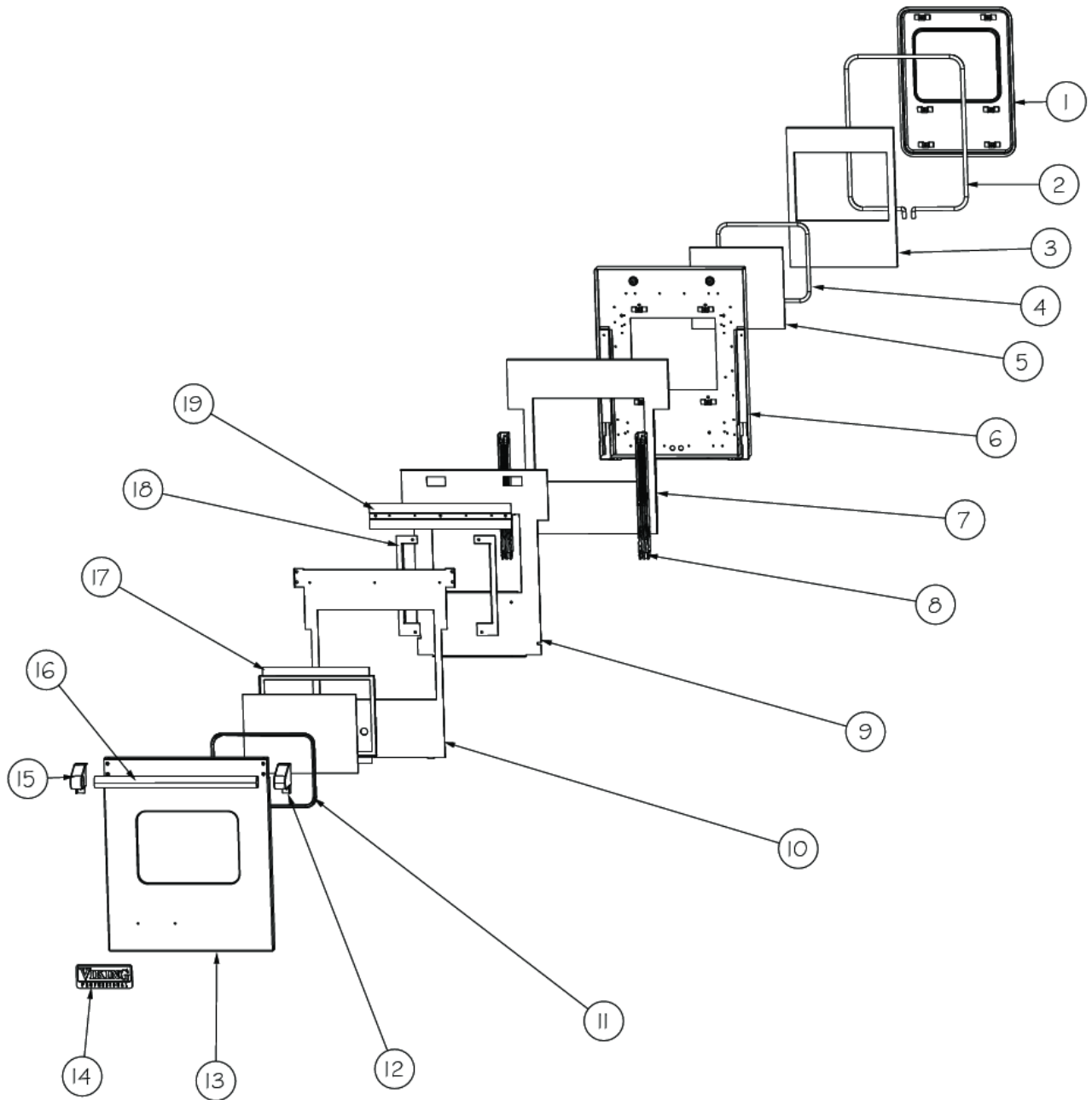
Item	Part No.	Name	Qty	Uom	NOTES
13	020038-015	LH DOOR SKIN KIT SRV, VGSC548 PL	1	EA	
13	020038-016	LH DOOR SKIN KIT SRV, VGSC548 CH	1	EA	
13	020038-017	LH DOOR SKIN KIT SRV, VGSC548 TP	1	EA	
13	020038-018	LH DOOR SKIN KIT SRV, VGSC548 CW NLA	1	EA	
13	020038-019	LH DOOR SKIN KIT SRV, VGSC548 OG	1	EA	
13	020038-020	LH DOOR SKIN KIT SRV, VGSC548 GM	1	EA	
13	020038-021	LH DOOR SKIN KIT SRV, VGSC548 SA	1	EA	
13	020038-022	LH DOOR SKIN KIT SRV, VGSC548 SE	1	EA	
13	020038-023	LH DOOR SKIN KIT SRV, VGSC548 IB	1	EA	
13	020038-024	LH DOOR SKIN KIT SRV, VGSC548 AR	1	EA	
13	020038-025	LH DOOR SKIN KIT SRV, VGSC548 RR	1	EA	Not available online / Call for pricing and availability
13	020038-026	LH DOOR SKIN KIT SRV, VGSC548 PM	1	EA	
13	020038-027	LH DOOR SKIN KIT SRV, VGSC548 MS	1	EA	
14	PE010030	LOGO	1	EA	
15	003011-000	DOOR HANDLE ENDCAP ASSY, LH (CHROME)	1	EA	
16	006221-000	18" DOOR HANDLE, SST	1	EA	
17	008336-000	FRAME, GL	1	EA	
Not Shown	NOTE	(MUST ORDER ITEM # 13)		EA	
18	009830-000	RETAINER, INSL, LH	1	EA	
19	006225-000	BRACKET, DOOR, ASM	1	EA	
20	009818-000	RETAINER, INSL, RH	1	EA	
NI	007243-000	DOOR ASM, VGCC/SC LH SIDE (18")	1	EA	
NI	007241-002	DOOR ASM, VGCC/SC548 LH, BK	1	EA	



Item	Part No.	Name	Qty	Uom	NOTES
NI	007241-003	DOOR ASM, VGCC/SC548 LH, BT	1	EA	
NI	007241-004	DOOR ASM, VGCC/SC548 LH, SG	1	EA	
NI	007241-005	DOOR ASM, VGCC/SC548 LH, GG	1	EA	
NI	007241-006	DOOR ASM, VGCC/SC548 LH, WH	1	EA	
NI	007241-007	DOOR ASM, VGCC/SC548 LH, AL	1	EA	Not available online / Call for pricing and availability
NI	007241-008	DOOR ASM, VGCC/SC548 LH, BU	1	EA	
NI	007241-009	DOOR ASM, VGCC/SC548 LH, LE	1	EA	
NI	007241-010	DOOR ASM, VGCC/SC548 LH, MJ	1	EA	
NI	007241-011	DOOR ASM, VGCC/SC548 LH, FG	1	EA	Not available online / Call for pricing and availability
NI	007241-012	DOOR ASM, VGCC/SC548 LH, VB	1	EA	
NI	007241-013	DOOR ASM, VGCC/SC548 LH, CB	1	EA	
NI	007241-014	DOOR ASM, VGCC/SC548 LH, EP	1	EA	Not available online / Call for pricing and availability
NI	007241-015	DOOR ASM, VGCC/SC548 LH, PL	1	EA	
NI	007241-016	DOOR ASM, VGCC/SC548 LH, CH	1	EA	
NI	007241-017	DOOR ASM, VGCC/SC548 LH, TP	1	EA	
NI	007241-018	DOOR ASM, VGCC/SC548 LH, CW NLA	1	EA	
NI	007241-019	DOOR ASM, VGCC/SC548 LH, OG	1	EA	
NI	007241-020	DOOR ASM, VGCC/SC548 LH, GM	1	EA	
NI	007241-021	DOOR ASM, VGCC/SC548 LH, SA	1	EA	
NI	007241-022	DOOR ASM, VGCC/SC548 LH, SE	1	EA	

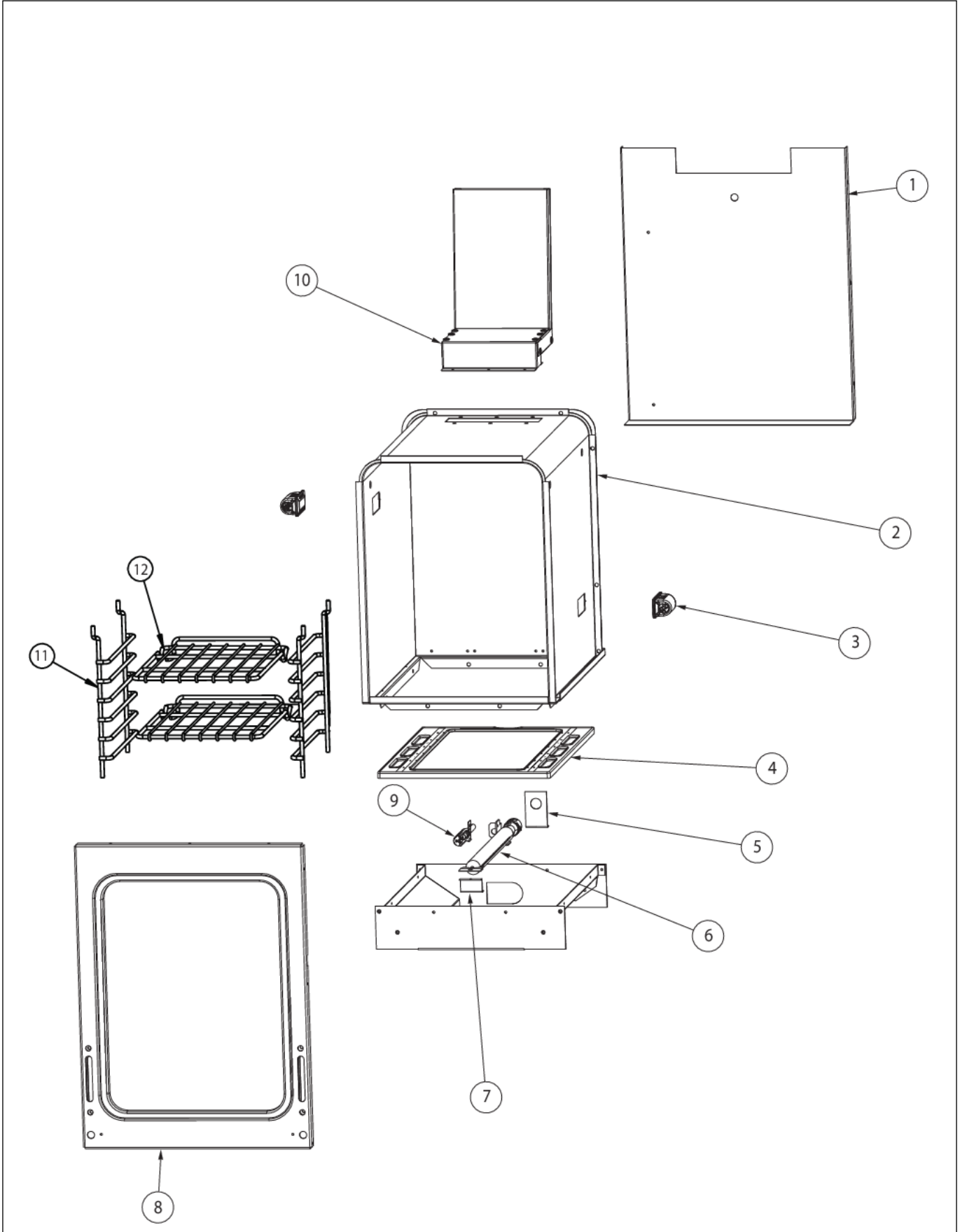


Item	Part No.	Name	Qty	Uom	NOTES
NI	007241-023	DOOR ASM, VGCC/SC548 LH, IB	1	EA	
NI	007241-024	DOOR ASM, VGCC/SC548 LH, AR	1	EA	
NI	007241-025	DOOR ASM, VGCC/SC548 LH, RR	1	EA	
NI	007241-026	DOOR ASM, VGCC/SC548 LH, PM	1	EA	
NI	007241-027	DOOR ASM, VGCC/SC548 LH, MS	1	EA	
NI	007243-100	DOOR ASM, VGCC/SC548 LH, SSBR - NLA	1	EA	
NI	007241-102	DOOR ASM, W/LOGO LH, BK/BR	1	EA	
NI	007241-103	DOOR ASM, W/LOGO LH, BT/BR	1	EA	
NI	007241-104	DOOR ASM, W/LOGO LH, SG/BR	1	EA	
NI	007241-105	DOOR ASM, W/LOGO LH, GG/BR	1	EA	
NI	007241-106	DOOR ASM, W/LOGO LH, WH/BR	1	EA	
NI	007241-107	DOOR ASM, W/LOGO LH, AL/BR	1	EA	Not available online / Call for pricing and availability
NI	007241-108	DOOR ASM, W/LOGO LH, BU/BR	1	EA	
NI	007241-109	DOOR ASM, W/LOGO LH, LE/BR	1	EA	
NI	007241-110	DOOR ASM, W/LOGO LH, MJ/BR	1	EA	
NI	007241-111	DOOR ASM, W/LOGO LH, FG/BR	1	EA	Not available online / Call for pricing and availability
NI	007241-112	DOOR ASM, W/LOGO LH, VB/BR	1	EA	
NI	007241-113	DOOR ASM, W/LOGO LH, CB/BR	1	EA	
NI	007241-114	DOOR ASM, W/LOGO LH, EP/BR	1	EA	Not available online / Call for pricing and availability
NI	007241-115	DOOR ASM, W/LOGO LH, PL/BR	1	EA	



Item	Part No.	Name	Qty	Uom	NOTES
NI	007241-116	DOOR ASM, W/LOGO LH, CH/BR	1	EA	
NI	007241-117	DOOR ASM, W/LOGO LH, TP/BR	1	EA	
NI	007241-118	DOOR ASM, W/LOGO LH, CW/BR	1	EA	
NI	007241-119	DOOR ASM, W/LOGO LH, OG/BR	1	EA	
NI	007241-120	DOOR ASM, W/LOGO LH, GM/BR	1	EA	
NI	007241-121	DOOR ASM, W/LOGO LH, SA/BR	1	EA	
NI	007241-122	DOOR ASM, W/LOGO LH, SE/BR	1	EA	
NI	007241-123	DOOR ASM, W/LOGO LH, IB/BR	1	EA	
NI	007241-124	DOOR ASM, W/LOGO LH, AR/BR	1	EA	
NI	007241-125	DOOR ASM, W/LOGO LH, RR/BR	1	EA	
NI	007241-126	DOOR ASM, W/LOGO LH, PM/BR	1	EA	
NI	007241-127	DOOR ASM, W/LOGO LH, MS/BR	1	EA	

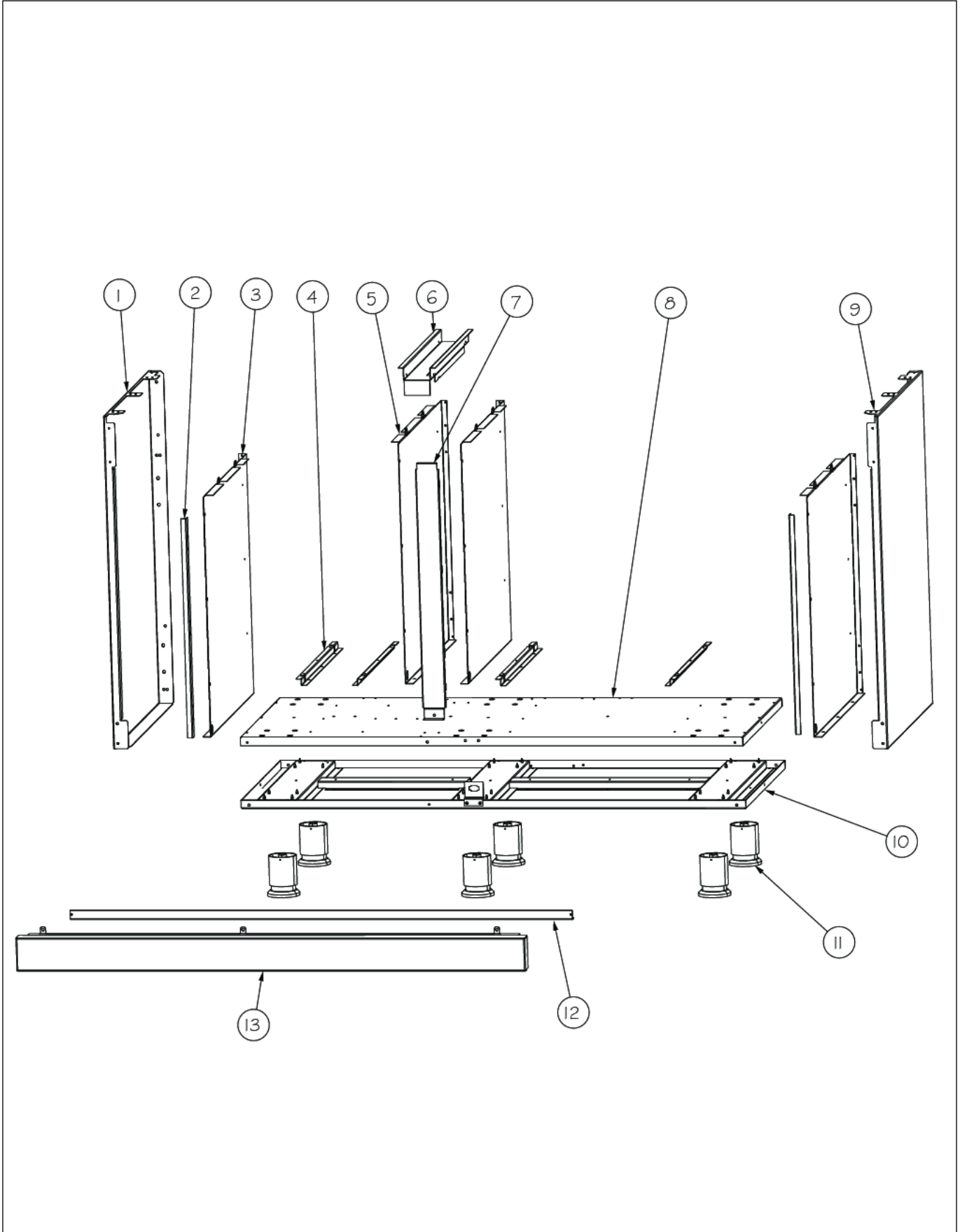
LH OVEN CAVITY





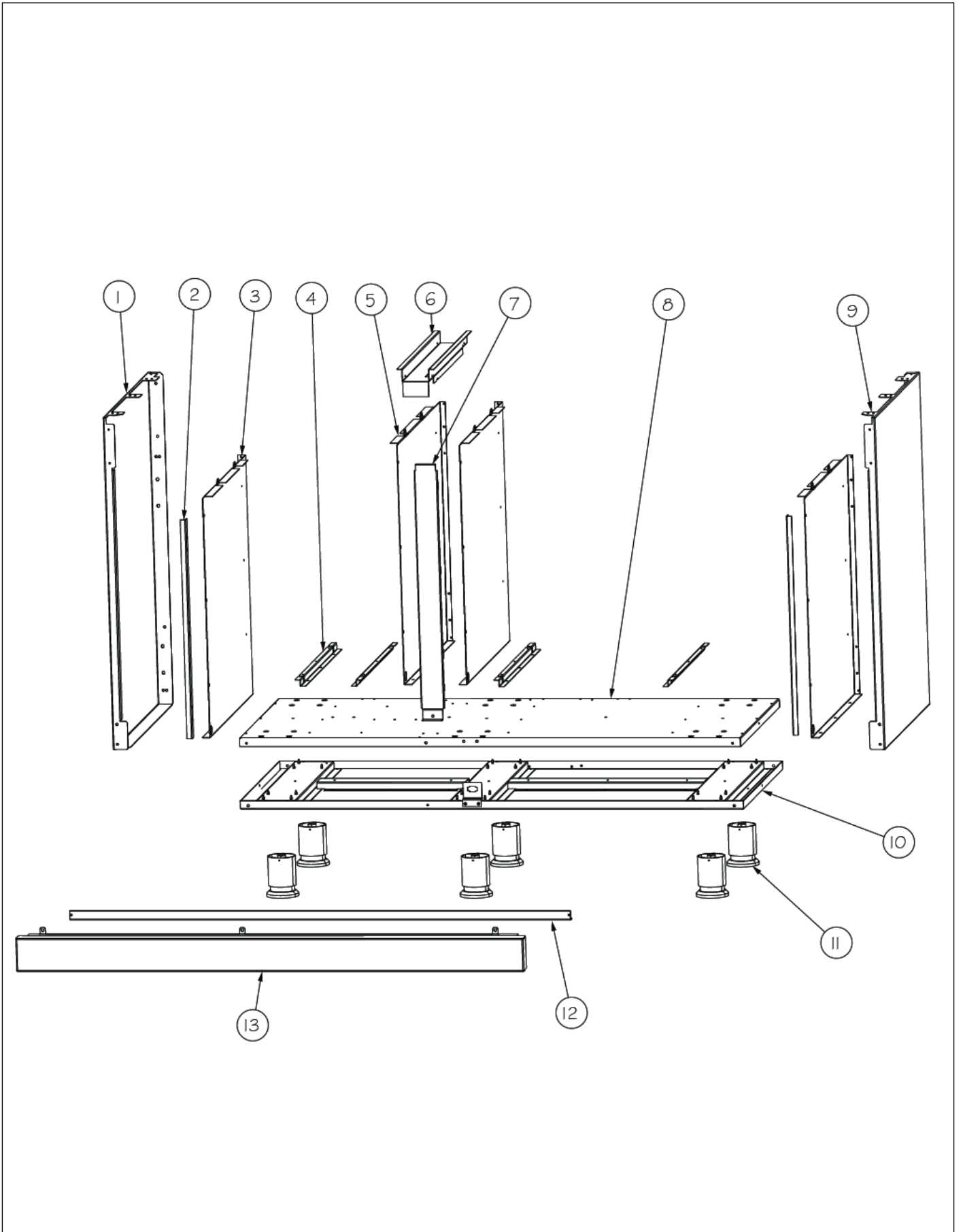
Item	Part No.	Name	Qty	Uom	NOTES
1	007705-000	COVER, INSIDE BACK, VGSC 18"	1	EA	
2	NON SERVICEABLE	OVEN CAVITY, 48 LH PORC ASM	1	EA	
3	005311-000	LAMP, OVEN, 120V/25W	2	EA	
4	068457-000	ASM, BOTTOM, CAVITY OVEN GAS 18" GRAY	1	EA	
Not Shown	NOTE	(INCLUDES HEAT SHIELD)		EA	
5	005529-000	BAKE ORIFICE MOUNTING BRACKET	1	EA	
Not Shown	NOTE	(BEFORE 2/11/13)		EA	
5	040736-000	BRKT, ORF	1	EA	
Not Shown	NOTE	(ON OR AFTER 2/11/13)		EA	
6	009225-000	BURNER ASM, NAT.	1	EA	
7	B2004415	BURNER BRACKET (VGSC306)	1	EA	
8	023093-000	FRONT FRAME, ASSY	1	EA	
9	PB040170	BAKE IGNITION ELECTRODE	1	EA	
10	006192-000	VENT, ASM, OVEN ASSEMBLY	1	EA	
11	PB060030	RACK SUPT REPL PB060010	2	EA	
12	PB060046	OVEN RK VDSC48-LH REPL PB060023	2	EA	
Not Shown	NOTE	(BEFORE 12/20/12)		EA	
12	040963-000	RACK, PRO, 18"	2	EA	
Not Shown	NOTE	(ON OR AFTER 12/20/12)		EA	
NI	023943-000	KIT,FRNT FRAME, BRNR BRKT, DOOR BRKT ASM	1	EA	
NI	007278-000	ARM HINGE CLIP	2	EA	
Not Shown	NOTE	(BEFORE 01/02/13)		EA	
NI	049718-402	CLIP, RETAINER, HINGE, GLOSS BLACK ENAMEL	2	EA	
Not Shown	NOTE	(AFTER 01/02/13)		EA	

LOWER UNIT AND SIDE PANEL





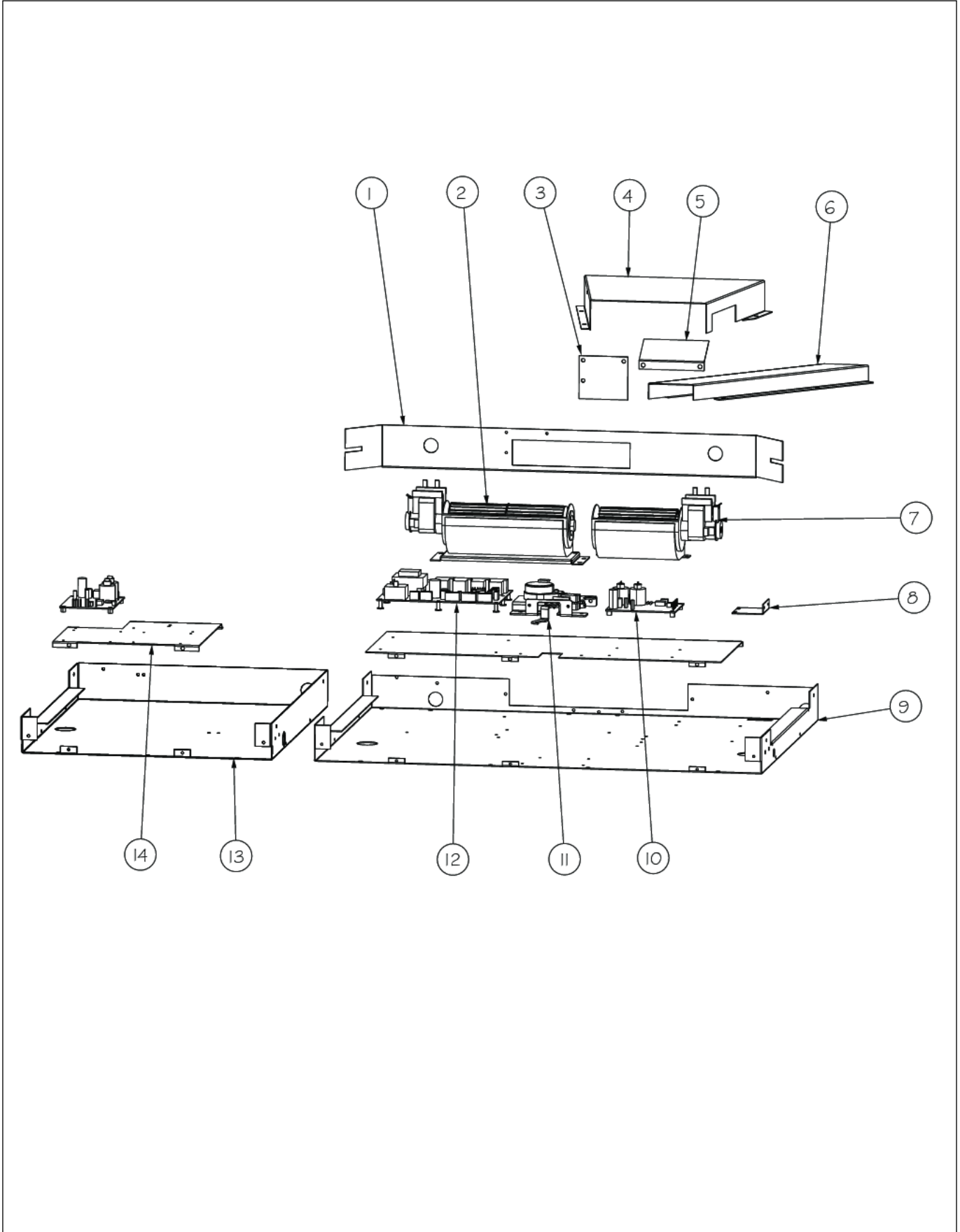
Item	Part No.	Name	Qty	Uom	NOTES
1	003588-000	SIDE PANEL, LH	1	EA	
2	005536-000	TRIM	2	EA	
3	004482-000	INSULATION, PNL, SIDE, LH	2	EA	
4	A2004429	OVEN BOTTOM INSUL. BRACE (VGSC306)	4	EA	
5	004479-000	INSULATION, PNL, SIDE, RH	2	EA	
6	008638-000	OVEN DIVIDER	1	EA	
7	009820-000	TRIM, CTR, GAS 48" ASM	1	EA	
8	007193-000	BASE TOP PLATE	1	EA	
9	002905-000	SIDE PANEL, RH	1	EA	
10	024942-000	BASE, BOT, 48" GAS	1	EA	
11	044178-000	RANGE, LEG, ADJUSTABLE	6	EA	
12	009280-000	SPACER, BOT, 48" GAS RANGES	1	EA	
13	009568-000	KICKPLATE, RNG, SST, VDSC 48"	1	EA	
Not Shown	NOTE	(BEFORE 06/14/12)		EA	
13	035828-000	KICKPLATE, 60, GAS SST	1	EA	
Not Shown	NOTE	(FROM 06/14/12 THRU 06/14/13)		EA	
13	038605-000	KICKPLATE, RNG	1	EA	
Not Shown	NOTE	(ON OR AFTER 06/14/13)		EA	
13	009630-002	KICKPLATE, RNG, BK	1	EA	
Not Shown	NOTE	(BEFORE 06/14/13)		EA	
13	038606-002	KICKPLATE, RNG, DCBZ BK	1	EA	
Not Shown	NOTE	(ON OR AFTER 06/14/13)		EA	
13	009630-005	KICKPLATE, RNG - GG	1	EA	
Not Shown	NOTE	(BEFORE 06/14/13)		EA	
13	038606-005	KICKPLATE, RNG, DCBZ GG	1	EA	
Not Shown	NOTE	(ON OR AFTER 06/14/13)		EA	
13	009630-006	KICKPLATE, RANGE - WH	1	EA	



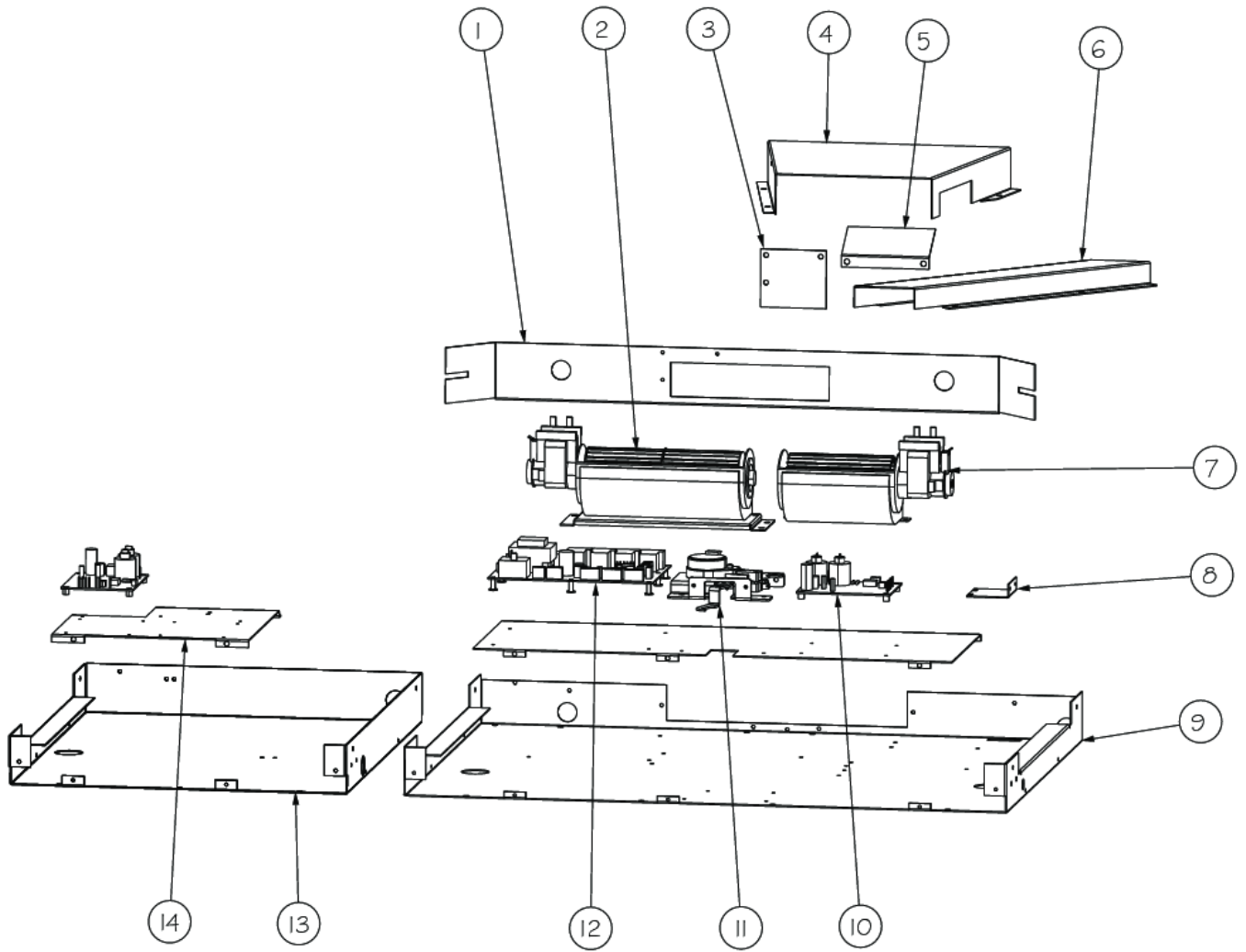


Item	Part No.	Name	Qty	Uom	NOTES
Not Shown	NOTE	(BEFORE 06/14/13)		EA	
13	038606-006	KICKPLATE, RNG, DCBZ WH	1	EA	
Not Shown	NOTE	(ON OR AFTER 06/14/13)		EA	
13	009630-008	KICKPLATE, VGSC548, BU	1	EA	
Not Shown	NOTE	(BEFORE 06/14/13)		EA	
13	038606-008	KICKPLATE, RNG, DCBZ BU	1	EA	
Not Shown	NOTE	(ON OR AFTER 06/14/13)		EA	
13	009630-013	KICKPLATE, RNG CB	1	EA	
Not Shown	NOTE	(BEFORE 06/14/13)		EA	
13	038606-013	KICKPLATE, RNG, DCBZ CB	1	EA	
Not Shown	NOTE	(ON OR AFTER 06/14/13)		EA	
13	009630-024	KICKPLATE, RANGE - AR	1	EA	
Not Shown	NOTE	(BEFORE 06/14/13)		EA	
13	038606-024	KICKPLATE, RNG, DCBZ AR	1	EA	
Not Shown	NOTE	(ON OR AFTER 06/14/13)		EA	
NI	007400-000	BLOCK, TERMINAL	1	EA	
NI	031961-000	COVER, TERM. BLOCK	1	EA	

OVEN ELECTRONICS



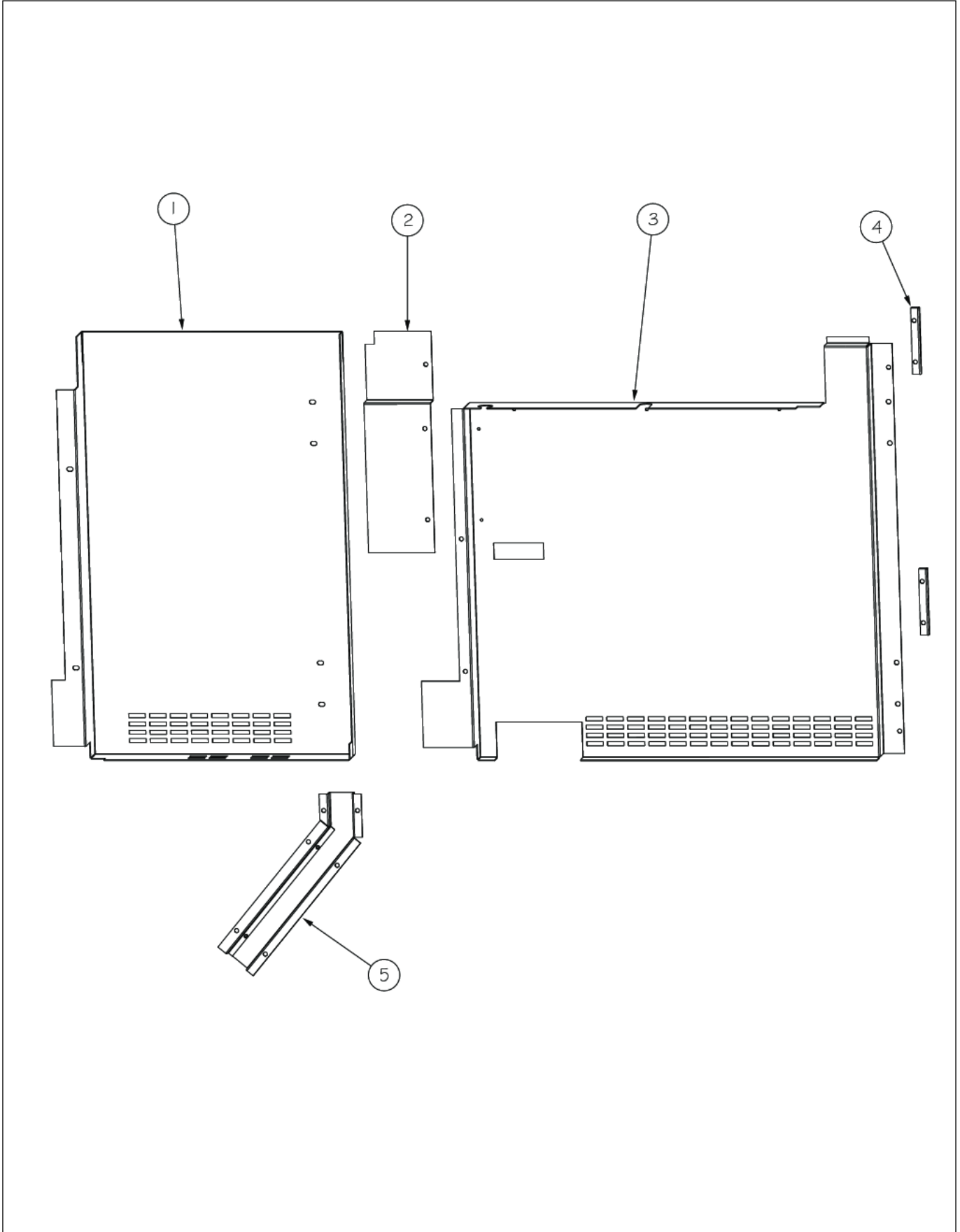
Item	Part No.	Name	Qty	Uom	NOTES
1	006114-000	DIVIDER, AIR	1	EA	
2	PE050250	Blower	1	EA	
Comments for Part Num. PE050250 highendappsvc@gmail.com on Jan 28, 2019 If you need to replace cooling fan for the model vgsc5486gss serial date code 031412, do not order this fan, this fan is larger and configured wrong. The correct fan is 007794-000. it is smaller.					
Not Shown	NOTE	(BEFORE 08/10/13)		EA	
2	019958-000	FAN,COOLING,SINGLE, 120Vx180(51399)	1	EA	
Not Shown	NOTE	(ON OR AFTER 08/10/13)		EA	
3	008420-000	FAN COVER PLATE	1	EA	
4	005464-000	DUCT, VENT	1	EA	
5	006952-000	DEFLECTOR, AIR	1	EA	
6	006950-000	DUCT, VENT	1	EA	
7	007794-000	COOLING FAN, VDSC 18"	1	EA	
Not Shown	NOTE	(BEFORE 10/4/13)		EA	
7	030567-000	FAN,BLOW,ASM 120V (51480)	1	EA	
Not Shown	NOTE	(ON OR AFTER 10/4/13)		EA	
8	A20012649	DOOR SWITCH BRACKET	1	EA	
9	004628-000	TOP, CAB	1	EA	
10	PA020056	NLA - See TC-0063D-SP for kit number (see comments)	2	EA	
Not Shown	NOTE	(BEFORE 12/29/10)		EA	
10	023651-000	DSI120-2-LVS	2	EA	
Not Shown	NOTE	(ON OR AFTER 12/29/10)		EA	
11	012565-000	LATCH,DOOR,ASM,120V, LOCKED POSITION	1	EA	
12	015981-000	CONTROL,BD,EOC2 GAS SELF CLEAN	1	EA	





Item	Part No.	Name	Qty	Uom	NOTES
Comments for Part Num. 015981-000					
gboltz@VikingRange.com on Sep 16, 2016 SEE TC-0043-SP BULLETIN BEFORE ORDERING					
Not Shown	NOTE	IF UNIT PRODUCED PRIOR TO 7/6/2009 AN ADDITIONAL KIT MAY BE REQUIRED, SEE TC-0043-SP BEFORE ORDERERIN		EA	
13	007374-000	TOP, LH CAB, VGSC 48"	1	EA	
14	008011-000	36" ELECTRONIC PLATE	1	EA	

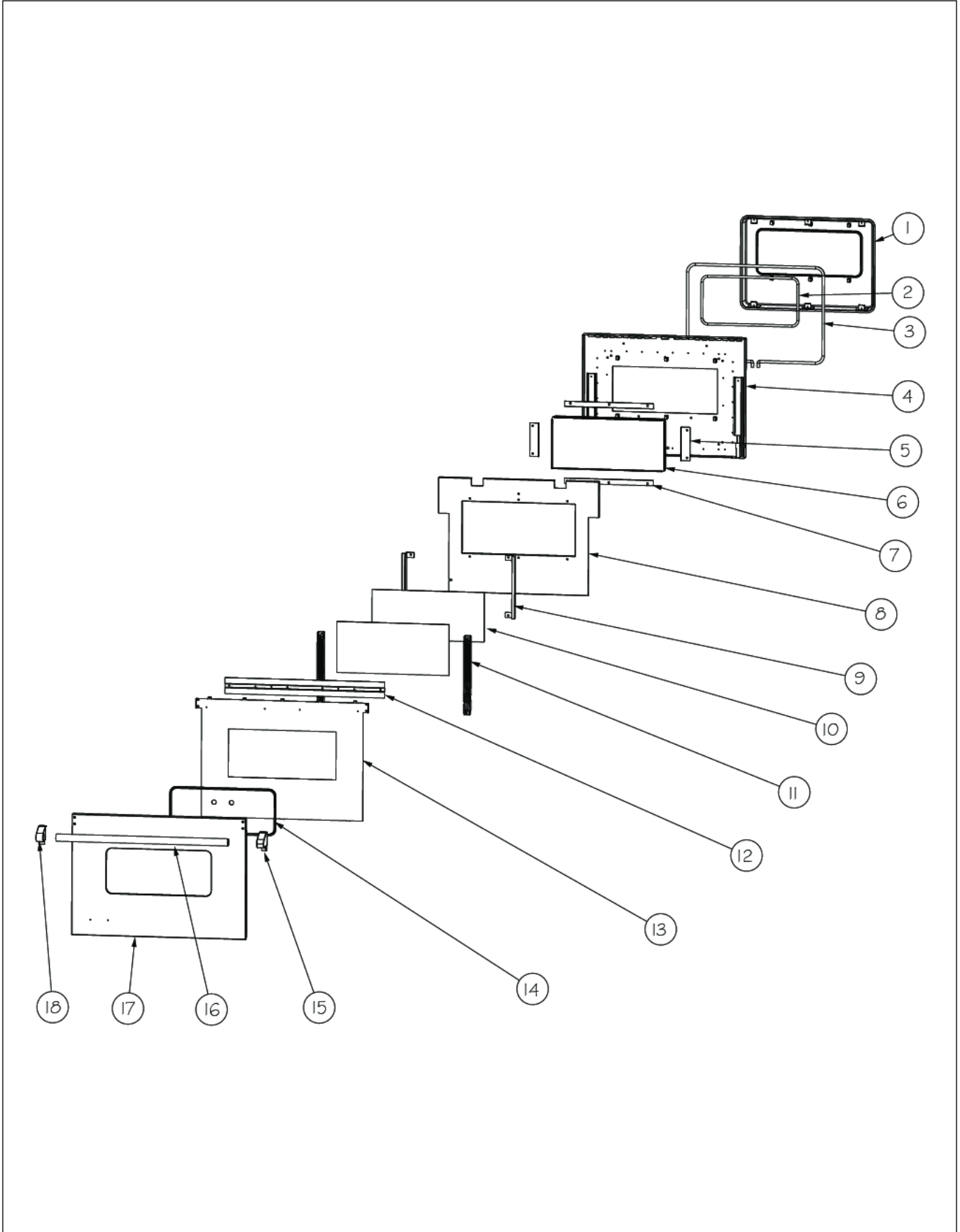
REAR SHEET METAL





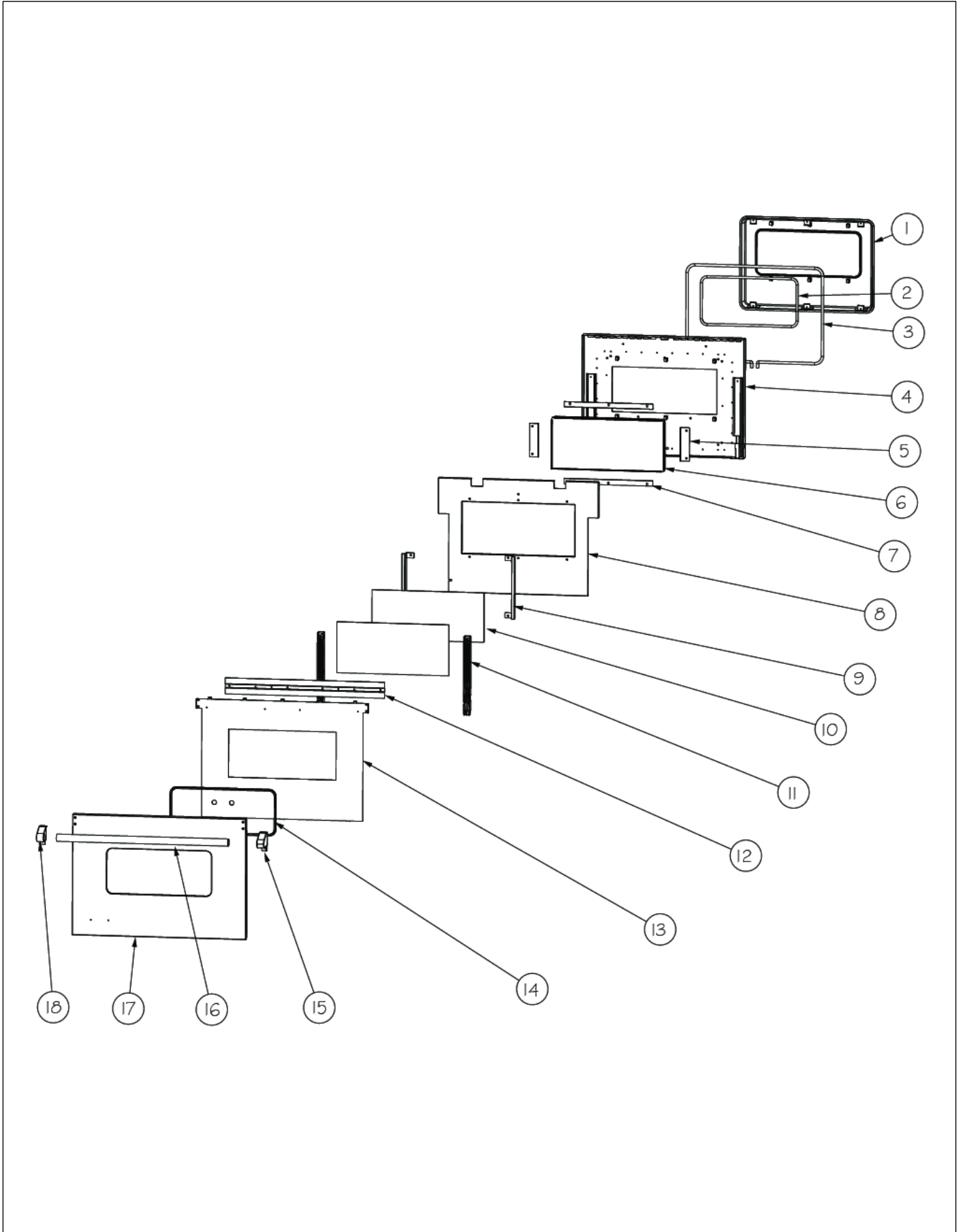
Item	Part No.	Name	Qty	Uom	NOTES
1	007701-000	COVER, 18" BACK VGSC	1	EA	
2	006962-000	COVER, INL, BACK	1	EA	
3	032123-000	CABINET, BACK	1	EA	
4	006744-000	STANDOFF, CAB, VGSC	2	EA	Not available online / Call for pricing and availability
5	006949-000	DUCT, AIR, ASM	1	EA	
NI	A2002654	ANTI-TIP DEVICE (VDSC)	1	EA	
NI	034927-000	BRACKET, ANTI-TIP	1	EA	
NI	034928-000	BRACKET, HOOK, ANTI-TIP	1	EA	

RH DOOR ASSEMBLY

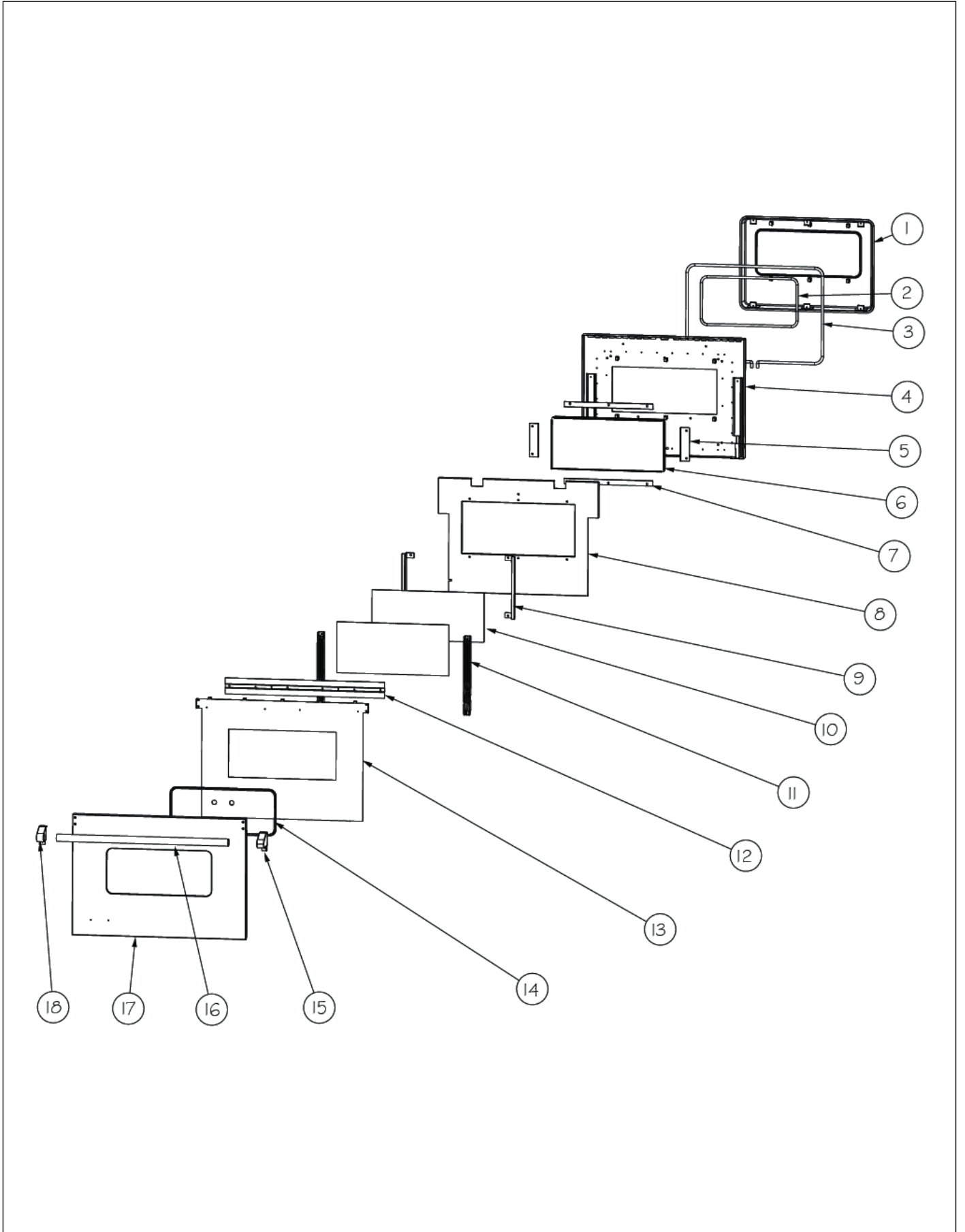




Item	Part No.	Name	Qty	Uom	NOTES
1	G9102745	DR PG ASSY VDSC30/48" RE H9102175 (Before 12/20/2012)	1	EA	
2	000594-000	BLACK FIBERGLASS ROPE 3/8	1	EA	
3	000042-000	30" DOOR GASKET	1	EA	
4	004691-000	DOOR LINER ASSY	1	EA	
Comments for Part Num. 004691-000					
profixappliances@gmail.com on Dec 29, 2017					
004691-000 IS SPECKLED FINISH, FOR ALL BLACK FINISH ORDER 004691-402.					
5	A2002189	DOOR GLASS STANDOFF (VDSC)	2	EA	
6	PE060064	WINDOW PACK, SELF CLEANING OVEN 30"	1	EA	
7	A2007943	GLASSPACK BRACKET, LARGE	1	EA	
8	004688-000	DOOR PANEL INSULATION LINER	1	EA	
9	004687-000	WDO BRACKET	2	EA	
10	PE060030	OUTER DOOR GLASS	2	EA	
Not Shown	NOTE	(MUST ORDER ITEM #17)		EA	
11	002740-000	DOOR HINGE	2	EA	See TC-0121-SP Service Bulletin
12	006553-000	DOOR BRACKET, WELD ASSY	1	EA	
13	004684-000	PANEL, DOOR, INSULATION, GSC	1	EA	
14	PE060031	J-MOLD (LARGE WINDOW)	1	EA	
Not Shown	NOTE	(MUST ORDER ITEM #17)		EA	
15	003012-000	DOOR HANDLE ENDCAP ASSY, RH (CHROME)	1	EA	
16	002728-000	DOOR HANDLE - SS, 1.25" 29.5	1	EA	
17	023649-000	48" DOOR SKIN SRV KIT, RH SS	1	EA	
17	020032-002	48" DOOR SKIN SRV KIT RH, BK	1	EA	
17	020032-003	48" DOOR SKIN SRV KIT, RH BT	1	EA	
17	020032-004	48" DOOR SKIN SRV KIT, RH SG	1	EA	

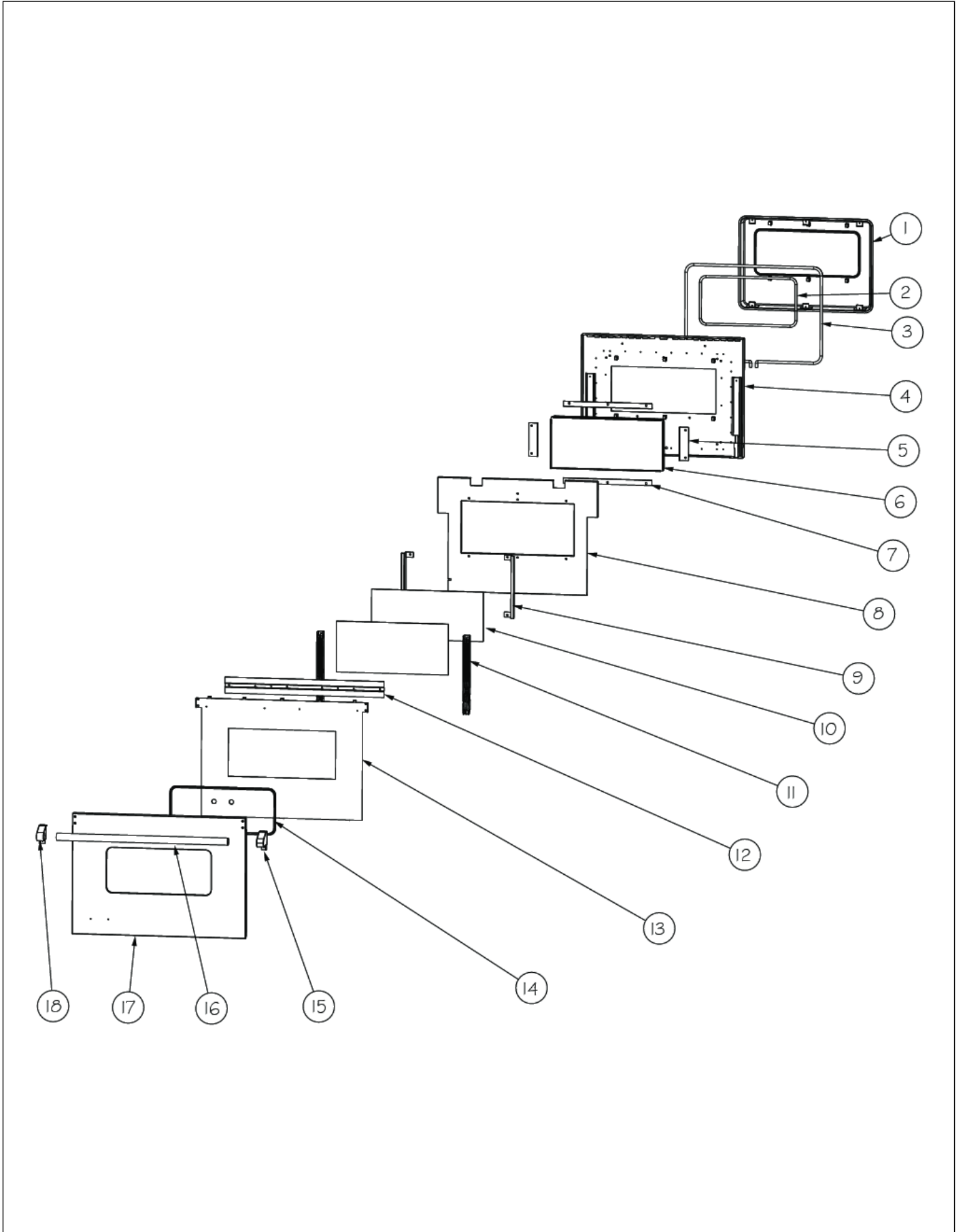


Item	Part No.	Name	Qty	Uom	NOTES
17	020032-005	48" DOOR SKIN SRV KIT, RH GG	1	EA	
17	020032-006	48" DOOR SKIN SRV KIT, RH WH	1	EA	
17	020032-008	48" DOOR SKIN SRV KIT, RH BU	1	EA	
17	020032-009	48" DOOR SKIN SRV KIT, RH LE	1	EA	
17	020032-010	48" DOOR SKIN SRV KIT, RH MJ	1	EA	
17	020032-012	48" DOOR SKIN SRV KIT, RH VB	1	EA	
17	020032-013	48" DOOR SKIN SRV KIT, RH CB	1	EA	
17	020032-015	48" DOOR SKIN SRV KIT, RH PL	1	EA	
17	020032-016	48" DOOR SKIN SRV KIT, RH CH	1	EA	
17	020032-017	48" DOOR SKIN SRV KIT, RH TP	1	EA	
17	020032-018	48" DOOR SKIN SRV KIT, RH CW NLA	1	EA	
17	020032-019	48" DOOR SKIN SRV KIT, RH OG	1	EA	
17	020032-020	48" DOOR SKIN SRV KIT, RH GM	1	EA	
17	020032-021	48" DOOR SKIN SRV KIT, RH SA	1	EA	
17	020032-022	48" DOOR SKIN SRV KIT, RH SE	1	EA	
17	020032-023	48" DOOR SKIN SRV KIT, RH IB	1	EA	
17	020032-024	48" DOOR SKIN SRV KIT, RH AR	1	EA	
17	020032-027	48" DOOR SKIN SRV KIT, RH MS	1	EA	
18	003011-000	DOOR HANDLE ENDCAP ASSY, LH (CHROME)	1	EA	
NI	008144-000	DOOR ASM, VGSC548 RH W/O LOGO HOLES, SST	1	EA	
NI	009823-002	DOOR ASM, 30", W/O LOGO, BK	1	EA	
NI	009823-003	DOOR ASM, 30", W/O LOGO, BT	1	EA	
NI	009823-004	DOOR ASM, 30", W/O LOGO, SG	1	EA	
NI	009823-005	DOOR ASM, 30", W/O LOGO, GG	1	EA	



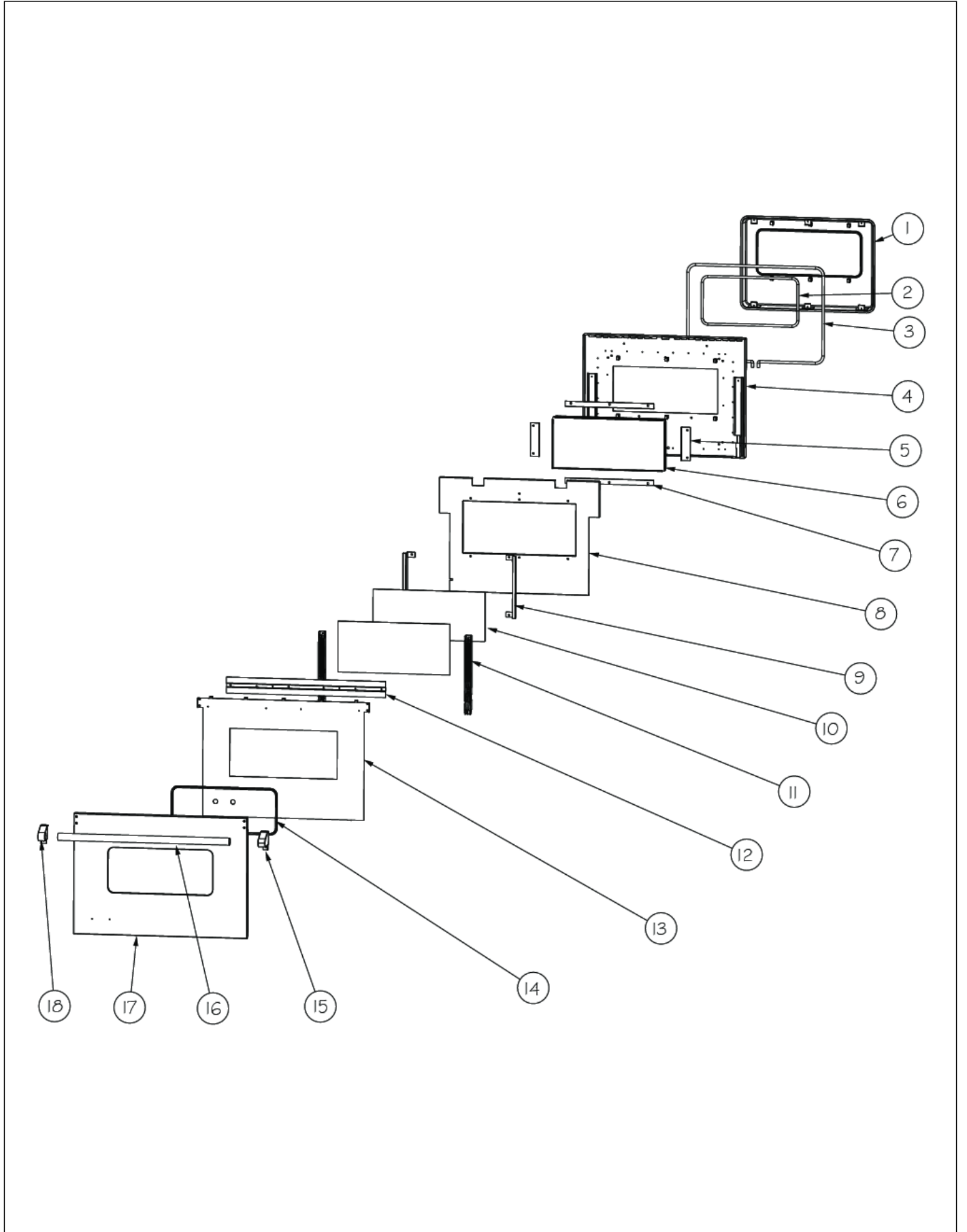


Item	Part No.	Name	Qty	Uom	NOTES
NI	009823-006	DOOR ASM, 30", W/O LOGO, WH	1	EA	
NI	009823-007	DOOR ASM, 30", W/O LOGO, AL	1	EA	Not available online / Call for pricing and availability
NI	009823-008	DOOR ASM, 30", W/O LOGO, BU	1	EA	
NI	009823-009	DOOR ASM, 30", W/O LOGO, LE	1	EA	
NI	009823-010	DOOR ASM, 30", W/O LOGO, MJ	1	EA	
NI	009823-011	DOOR ASM, 30", W/O LOGO, FG	1	EA	Not available online / Call for pricing and availability
NI	009823-012	DOOR ASM, 30", W/O LOGO, VB	1	EA	
NI	009823-013	DOOR ASM, 30", W/O LOGO, CB	1	EA	
NI	009823-014	DOOR ASM, 30", W/O LOGO, EP	1	EA	Not available online / Call for pricing and availability
NI	009823-015	DOOR ASM, 30", W/O LOGO, PL	1	EA	
NI	009823-016	DOOR ASM, 30", W/O LOGO, CH	1	EA	
NI	009823-017	DOOR ASM, 30", W/O LOGO, TP	1	EA	
NI	009823-018	DOOR ASM, 30", W/O LOGO, CW NLA	1	EA	
NI	009823-019	DOOR ASM, 30", W/O LOGO, OG	1	EA	
NI	009823-020	DOOR ASM, 30", W/O LOGO, GM	1	EA	
NI	009823-021	DOOR ASM, 30", W/O LOGO, SA	1	EA	
NI	009823-022	DOOR ASM, 30", W/O LOGO, SE	1	EA	
NI	009823-023	DOOR ASM, 30", W/O LOGO, IB	1	EA	
NI	009823-024	DOOR ASM, 30", W/O LOGO, AR	1	EA	
NI	009823-025	DOOR ASM, 30", W/O LOGO, RR	1	EA	
NI	009823-026	DOOR ASM, 30", W/O LOGO, PM	1	EA	
NI	009823-027	DOOR ASM, 30", W/O LOGO, MS	1	EA	





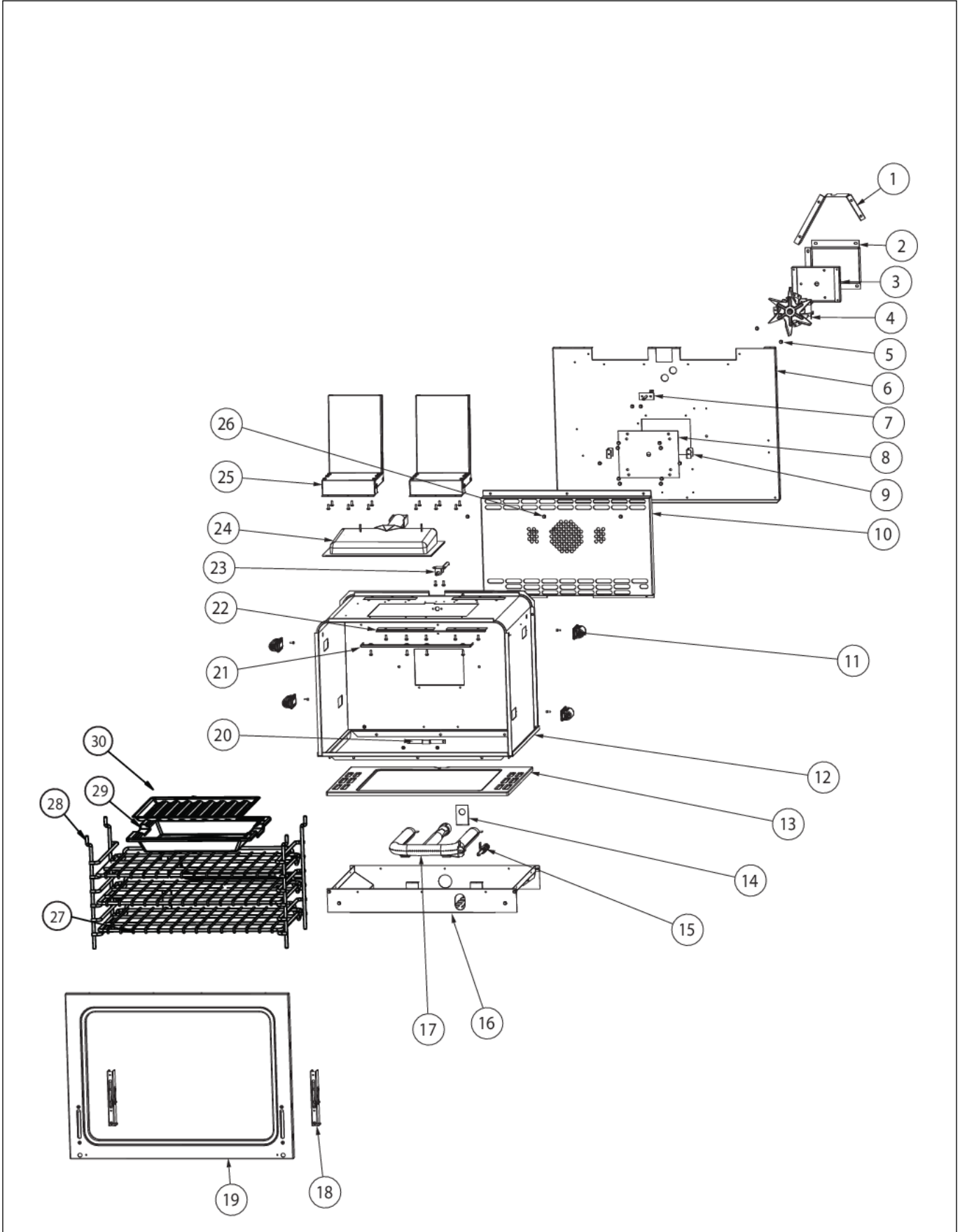
Item	Part No.	Name	Qty	Uom	NOTES
NI	008144-000	DOOR ASM, VGSC548 RH W/O LOGO HOLES, SST	1	EA	
NI	009823-002	DOOR ASM, 30", W/O LOGO, BK	1	EA	
NI	009823-003	DOOR ASM, 30", W/O LOGO, BT	1	EA	
NI	009823-004	DOOR ASM, 30", W/O LOGO, SG	1	EA	
NI	009823-005	DOOR ASM, 30", W/O LOGO, GG	1	EA	
NI	009823-006	DOOR ASM, 30", W/O LOGO, WH	1	EA	
NI	009823-007	DOOR ASM, 30", W/O LOGO, AL	1	EA	Not available online / Call for pricing and availability
NI	009823-008	DOOR ASM, 30", W/O LOGO, BU	1	EA	
NI	009823-009	DOOR ASM, 30", W/O LOGO, LE	1	EA	
NI	009823-010	DOOR ASM, 30", W/O LOGO, MJ	1	EA	
NI	009823-011	DOOR ASM, 30", W/O LOGO, FG	1	EA	Not available online / Call for pricing and availability
NI	009823-012	DOOR ASM, 30", W/O LOGO, VB	1	EA	
NI	009823-013	DOOR ASM, 30", W/O LOGO, CB	1	EA	
NI	009823-014	DOOR ASM, 30", W/O LOGO, EP	1	EA	Not available online / Call for pricing and availability
NI	009823-015	DOOR ASM, 30", W/O LOGO, PL	1	EA	
NI	009823-016	DOOR ASM, 30", W/O LOGO, CH	1	EA	
NI	009823-017	DOOR ASM, 30", W/O LOGO, TP	1	EA	
NI	009823-018	DOOR ASM, 30", W/O LOGO, CW NLA	1	EA	
NI	009823-019	DOOR ASM, 30", W/O LOGO, OG	1	EA	
NI	009823-020	DOOR ASM, 30", W/O LOGO, GM	1	EA	
NI	009823-021	DOOR ASM, 30", W/O LOGO, SA	1	EA	
NI	009823-022	DOOR ASM, 30", W/O LOGO, SE	1	EA	
NI	009823-023	DOOR ASM, 30", W/O LOGO, IB	1	EA	



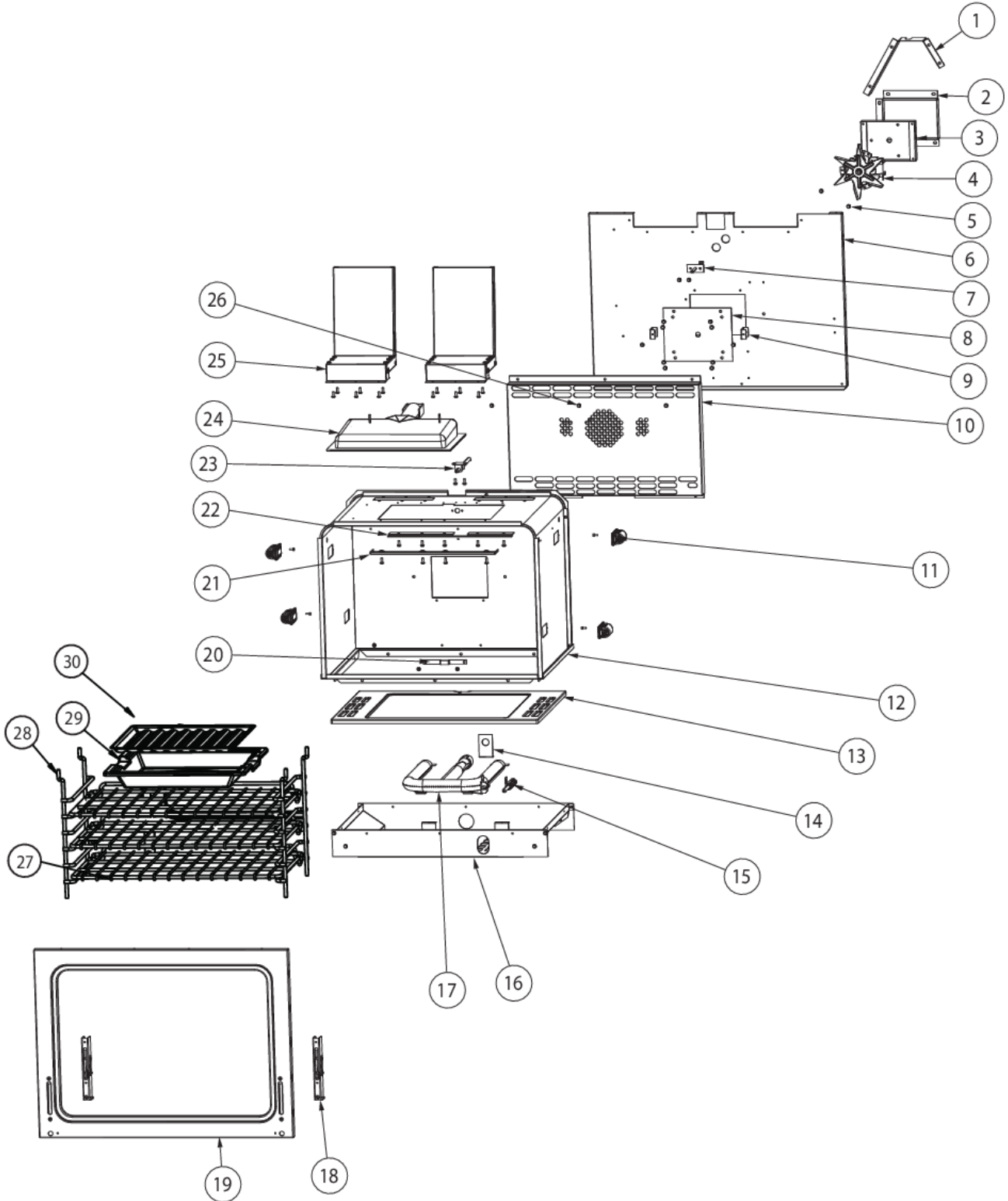


Item	Part No.	Name	Qty	Uom	NOTES
NI	009823-024	DOOR ASM, 30", W/O LOGO, AR	1	EA	
NI	009823-025	DOOR ASM, 30", W/O LOGO, RR	1	EA	
NI	009823-026	DOOR ASM, 30", W/O LOGO, PM	1	EA	
NI	009823-027	DOOR ASM, 30", W/O LOGO, MS	1	EA	

RH OVEN CAVITY

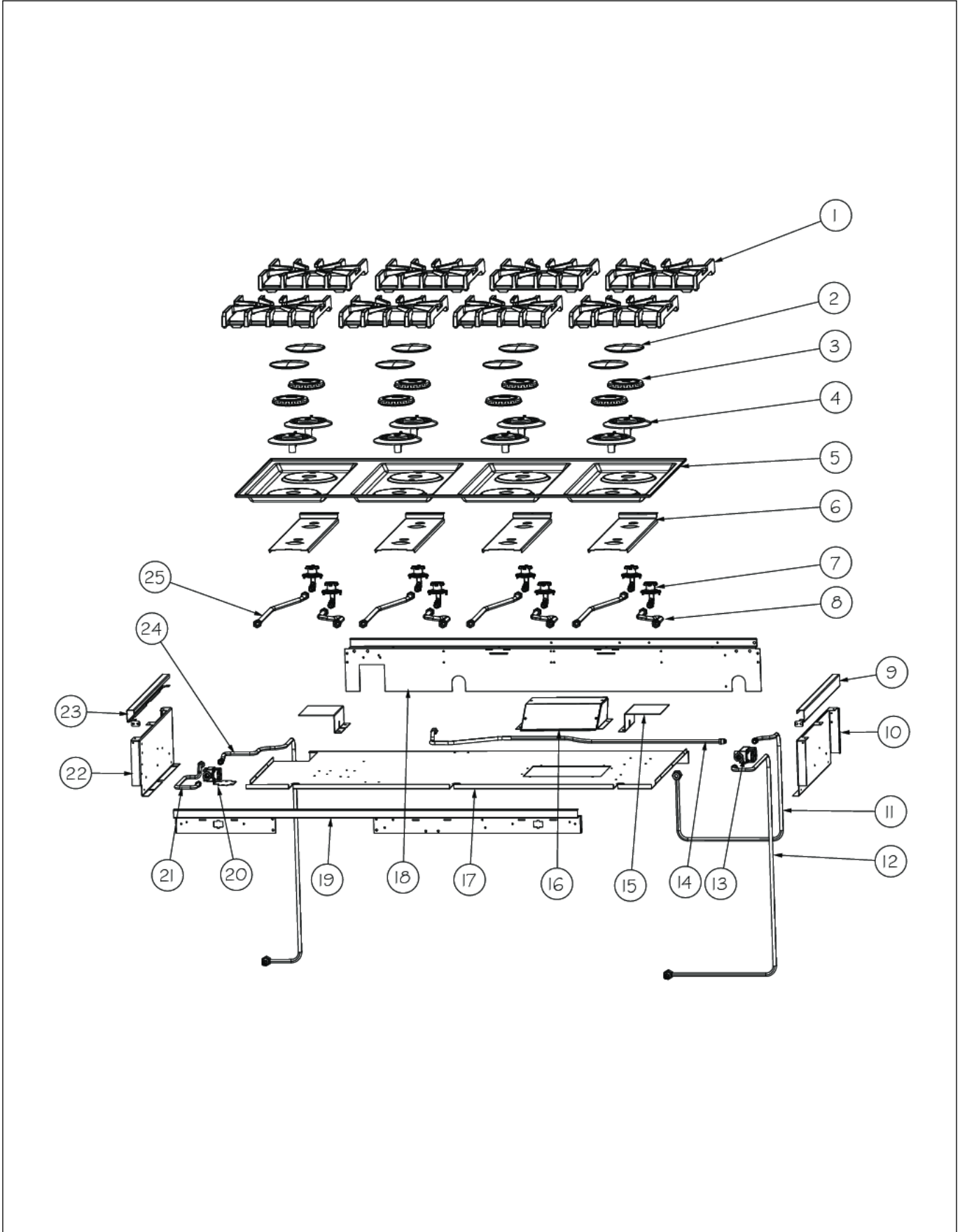


Item	Part No.	Name	Qty	Uom	NOTES
1	006946-000	SHIELD, BRL, EXHAUST	1	EA	Not available online / Call for pricing and availability
2	A2008467	INSULATION SHIELD	1	EA	
3	A2002595	CONVECTION FAN BOX (VDSC)	1	EA	
4	PE050057	CONVECTION FAN (VGSC306)	1	EA	
Not Shown	NOTE	(BEFORE 8/31/11)		EA	
4	023090-000	MOTOR, CONV ASM	1	EA	
Not Shown	NOTE	(ON OR AFTER 8/31/11)		EA	
5	PD020048	NO.10 X 1/2 TEK 410 SS SCREW	41	EA	
6	004626-000	PANEL, BACK, INSULATION, 30"	1	EA	Not available online / Call for pricing and availability
7	PE050206	RTD THERMOSTAT PROBE	1	EA	
8	A1002596	CONVECTION FAN COVER (VDSC)	1	EA	
9	A2001361	BACK SPACER (VGSC/VGSS)	2	EA	
10	G9104482	CONVECTION FAN COVER ASSY (VGSC306)	1	EA	
11	005311-000	LAMP, OVEN, 120V/25W	4	EA	
12	NON SERVICEABLE	OVEN CAVITY WELD	1	EA	
13	068456-000	ASM, BOTTOM, CAVITY, OVEN, GAS, 30", GRAY	1	EA	
Not Shown	NOTE	(INCLUDES HEAT SHIELD)		EA	
14	005529-000	BAKE ORIFICE MOUNTING BRACKET	1	EA	
Not Shown	NOTE	(BEFORE 2/11/13)		EA	
14	040736-000	BRKT, ORF	1	EA	
Not Shown	NOTE	(ON OR AFTER 2/11/13)		EA	
15	PB040170	BAKE IGNITION ELECTRODE	1	EA	
16	005102-000	BURNER PAN ASSEMBLY	1	EA	
17	005329-000	BURNER, OVEN, ASM	1	EA	
18	031679-000	RECEPTACLE, HINGE	2	EA	

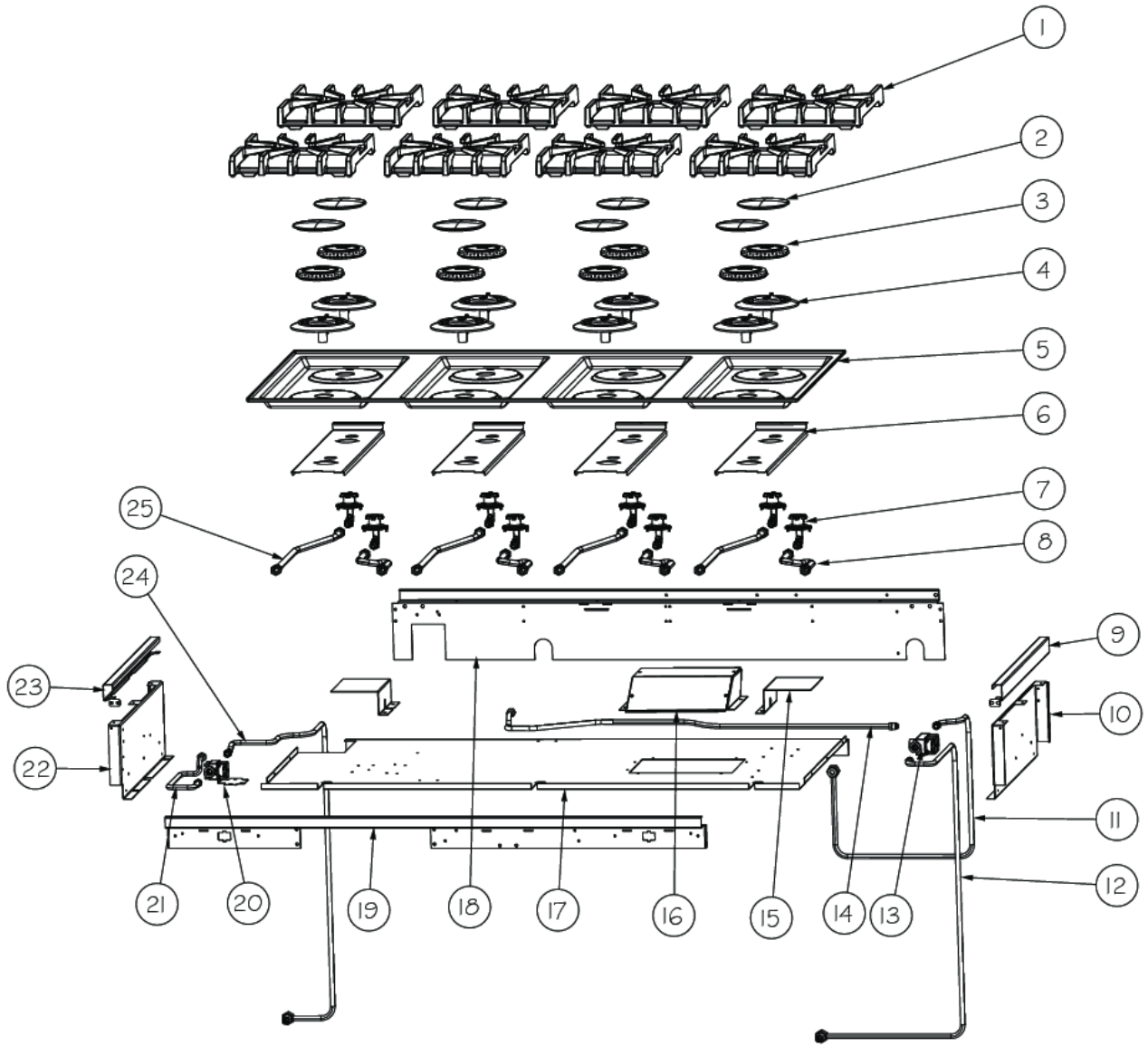


Item	Part No.	Name	Qty	Uom	NOTES
19	005373-000	30" FRONT FRAME WELD ASSY	1	EA	
20	A2004428	REAR BOTTOM BRCKT (VGSC306)	1	EA	
Not Shown	NOTE	(BEFORE 8/31/11)		EA	
21	B2001448	IR BROIL SUPT (FRONT)	1	EA	
22	B2005589	REAR BROILER BRACKET	1	EA	Not available online / Call for pricing and availability
23	PB040171	BROIL IGNITION ELECTRODE	1	EA	
24	G3001876	IR BURNER ASSY (VGSC/RC) N/S	1	EA	
25	006192-000	VENT, ASM, OVEN ASSEMBLY	2	EA	
26	M0210443	SCREW-E SM VM0210443	2	EA	
27	PB060044	OVEN RK VDSC30/48RH REPL PB060019	3	EA	
Not Shown	NOTE	(BEFORE 12/20/12)		EA	
27	040863-000	RACK, PRO, 30"	1	EA	
Not Shown	NOTE	(ON OR AFTER 12/20/12)		EA	
NI	040345-000	RACK, GLDE, 30", PRO ASSY	2	EA	
Not Shown	NOTE	(ON OR AFTER 12/20/12)		EA	
28	PB060030	RACK SUPT REPL PB060010	2	EA	
29	E9107933	BROILER PAN	1	EA	
30	E9107934	BROILER PAN INSERT - NLA	1	EA	
NI	007278-000	ARM HINGE CLIP	2	EA	
Not Shown	NOTE	(BEFORE 01/02/13)		EA	
NI	049718-402	CLIP, RETAINER, HINGE, GLOSS BLACK ENAMEL	2	EA	
Not Shown	NOTE	(AFTER 01/02/13)		EA	

SURFACE COOKING AREA



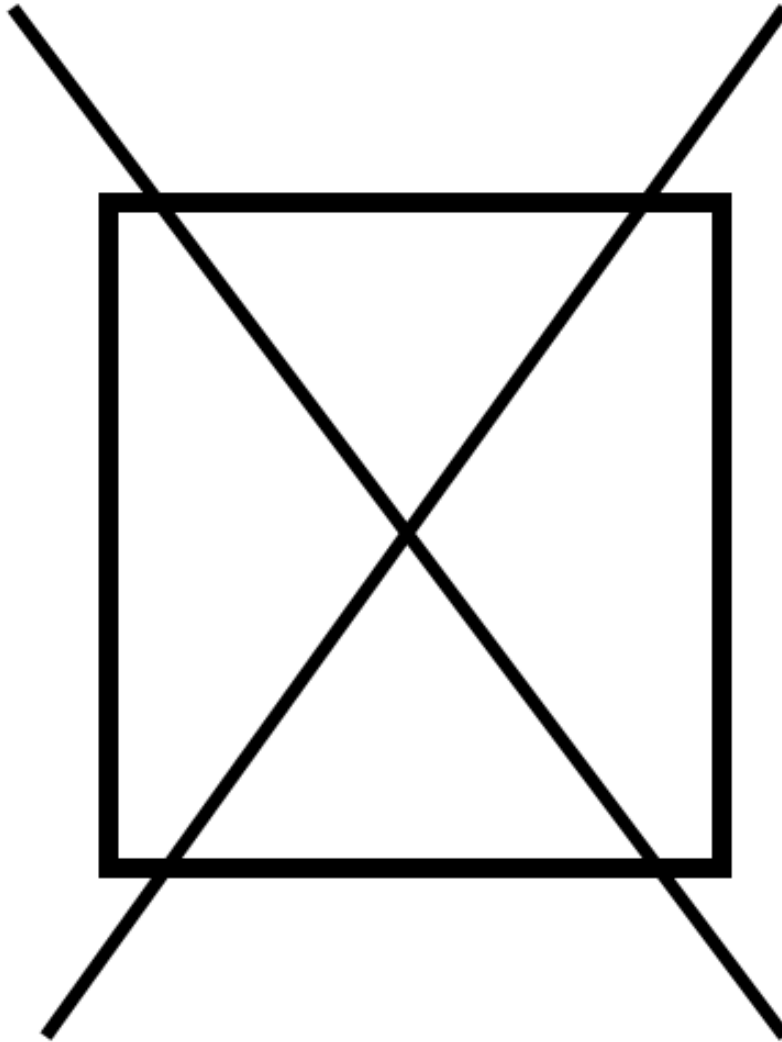
Item	Part No.	Name	Qty	Uom	NOTES
1	007323-000	BURNER GRATE	8	EA	
Not Shown	NOTE	(BEFORE 11/21/14)		EA	
1	049420-000	GRATE, BURNER, ASM	8	EA	
Not Shown	NOTE	(ON OR AFTER 11/21/14)		EA	
NI	PD040075	RUBBER FOOT	32	EA	
Not Shown	NOTE	(BEFORE 11/21/14)		EA	
NI	049416-000	BUMPER, GRATE	32	EA	
Not Shown	NOTE	(ON OR AFTER 11/21/14)		EA	
2	PA080083	D BURNER CAP *MATTE BLACK*	8	EA	
3	018200-000	ADJUSTED SEALED BURNER HEAD	8	EA	
4	003322-041	SEALED BURNER BASE, PAINTED FINISH- GRAY	8	EA	
5	E9109800BK	48" SEALED COOKTOP 8B *BK*	1	EA	
6	002923-000	BURNER MODULE SUPPORT	4	EA	
7	001394-041	18500 BTU NAT JETHOLDER	8	EA	
8	PB020192	10" FLEX TUBING W/CONNECTORS	4	EA	
9	002920-000	TOP TRIM RING, RH	1	EA	
10	002755-000	BURNER BOX SIDE, RH	1	EA	
11	011608-000	TUBING, VALVE TO BROIL ASSY	1	EA	
12	011545-000	TUBING, MAIN, 48" OVEN ASSY	1	EA	
13	009112-000	VALVE, SOL, DOUBLE	1	EA	
14	011570-000	TUBING, VALVE TO VALVE ASSY	1	EA	
15	010251-000	COVER, SOL	2	EA	
16	009065-000	COVER, FAN, VGSC548	1	EA	
17	008450-000	PANEL, CTR	1	EA	
18	008609-000	SUPPORT, BACK	1	EA	
19	008461-000	SUPPORT, FRONT	1	EA	
NI	051433-000	VGSC548-8B / 6Q TROUGH KIT	1	EA	





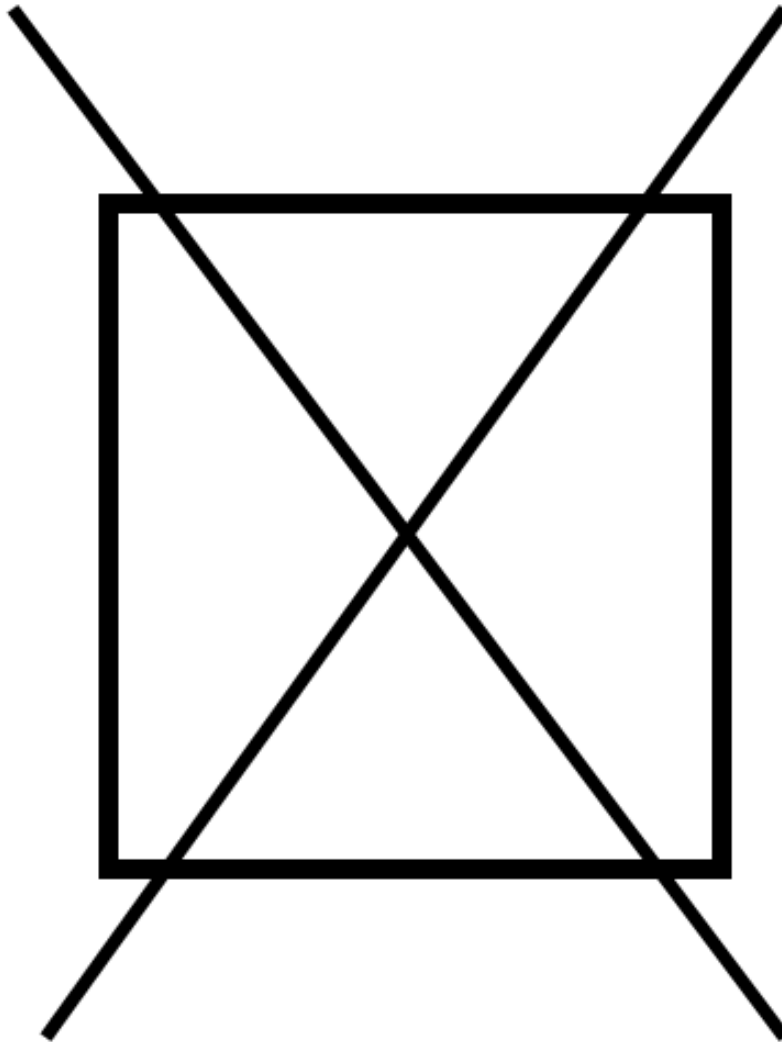
Item	Part No.	Name	Qty	Uom	NOTES
Not Shown	NOTE	(FOR UNITS MANUFACTURED PRIOR TO SERIAL # 061114C10138291)		EA	
20	009111-000	VALVE, SOL, SINGLE	1	EA	
21	011695-000	TUBING, VALVE TO MANIFOLD, 6Q/8B ASSY	1	EA	
22	003481-000	BURNER BOX SIDE, LH	1	EA	
23	003649-000	TOP TRIM RING, LH	1	EA	
24	009821-000	TUBING, 18" OVEN ASSY	1	EA	
25	PB020193	16" FLEX TUBING W/CONNECTORS	4	EA	

NON
ILLUSTRATED PART



Item	Part No.	Name	Qty	Uom	NOTES
NI	001754-000	HARNESS POWER DISCONNECT	1	EA	
Not Shown	NOTE	(BEFORE 12/29/10)		EA	
NI	PE070036	NYLON CABLE TIES -7"	1	EA	
NI	000647-000	IRIS IGNITOR WIRE, FRONT BURNER	4	EA	
NI	006766-000	IRIS IGNITOR WIRE, BACK BURNER	5	EA	
NI	004133-000	CONTROL PANEL HARNESS	1	EA	
NI	007378-000	LIGHT SWITCH HARNESS	1	EA	
NI	009474-000	HARNESS, MAIN, 48 L.H.	1	EA	
Not Shown	NOTE	(BEFORE 12/29/10)		EA	
NI	025993-000	HARNESS, MAIN 48" L.H.	1	EA	
Not Shown	NOTE	(ON OR AFTER 12/29/10)		EA	
NI	009472-000	HARNESS, MAIN, 48 L.H.	1	EA	
Not Shown	NOTE	(BEFORE 12/29/10)		EA	
NI	025992-000	HARNESS, MAIN 48	1	EA	
Not Shown	NOTE	(ON OR AFTER 12/29/10)		EA	
NI	009477-000	LIGHT SWITCH HARNESS	1	EA	
NI	009478-000	CONTROL PANEL HARNESS, VGSC548-6Q/8B	1	EA	Not available online / Call for pricing and availability
NI	G4000936	GROUND WIRE	2	EA	
NI	001134-000	IRIS HARNESS INSULATED CAP	1	EA	
NI	007298-000	BAKE IGNITOR WIRE, ASM	1	EA	
Not Shown	NOTE	(BEFORE 12/29/10)		EA	
NI	024606-000	WIRE, BAKE, ELECTRODE, ASM	1	EA	
Not Shown	NOTE	(ON OR AFTER 12/29/10)		EA	
NI	006765-000	BROIL IGNITOR WIRE ASM	1	EA	
Not Shown	NOTE	(BEFORE 12/29/10)		EA	

NON ILLUSTRATED PART





Item	Part No.	Name	Qty	Uom	NOTES
NI	024605-000	WIRE, BRL, ELECTRODE, ASM	1	EA	
Not Shown	NOTE	(ON OR AFTER 12/29/10)		EA	
NI	PE070889	IRIS HARNESS (24"/30")	1	EA	
Not Shown	NOTE	(BEFORE 12/29/10)		EA	
NI	023325-000	IRIS HARNESS, 48"	1	EA	
NI	PE070890	IRIS HARNESS - 36"	1	EA	
Not Shown	NOTE	(ON OR AFTER 12/29/10)		EA	
NI	023340-000	IRIS HARNESS, 36"	1	EA	
Not Shown	NOTE	(ON OR AFTER 12/29/10)		EA	
NI	023750-000	CORD, SUPPLY	1	EA	
NI	033365-000	VGSC548 POWER DISCONNECT KIT	1	EA	
Not Shown	NOTE	(MANUFACTURED BEFORE 9/16/11)		EA	
NI	009476-000	HARNESS, POWER, 48"	1	EA	
Not Shown	NOTE	(BEFORE 12/29/10)		EA	



Appendix A:Pages Index

CONTROL AREA 1
LH DOOR ASSEMBLY 2
LH OVEN CAVITY 3
LOWER UNIT AND SIDE PANEL 4
OVEN ELECTRONICS 5
REAR SHEET METAL 6
RH DOOR ASSEMBLY 7
RH OVEN CAVITY 8
SURFACE COOKING AREA 9
WIRING 10



Appendix B:Parts Index

000042-000	7	006221-000	2
000080-000	2	006225-000	2
000594-000	2, 7	006313-000	1
000647-000	10	006424-000	1
000943-000	2	006553-000	7
001134-000	10	006570-000	1
001394-041	9	006744-000	6
001754-000	10	006765-000	10
002728-000	7	006766-000	10
002740-000	7	006946-000	8
002755-000	9	006949-000	6
002905-000	4	006950-000	5
002920-000	9	006952-000	5
002923-000	9	006962-000	6
003011-000	2, 7	007147-000	1
003012-000	2, 7	007193-000	4
003322-041	9	007202-000	2
003481-000	9	007221-000	2
003588-000	4	007222-000	2
003649-000	9	007241-002	2
003719-000	1	007241-003	2
004133-000	10	007241-004	2
004479-000	4	007241-005	2
004482-000	4	007241-006	2
004626-000	8	007241-007	2
004628-000	5	007241-008	2
004684-000	7	007241-009	2
004687-000	7	007241-010	2
004688-000	7	007241-011	2
004691-000	7	007241-012	2
005102-000	8	007241-013	2
005269-000	1	007241-014	2
005311-000	3, 8	007241-015	2
005329-000	8	007241-016	2
005373-000	8	007241-017	2
005464-000	5	007241-018	2
005529-000	3, 8	007241-019	2
005536-000	4	007241-020	2
006114-000	5	007241-021	2
006192-000	3, 8	007241-022	2
		007241-023	2



007241-024	2	008011-000	5
007241-025	2	008144-000	7, 7
007241-026	2	008336-000	2
007241-027	2	008415-000	1
007241-102	2	008420-000	5
007241-103	2	008450-000	9
007241-104	2	008461-000	9
007241-105	2	008609-000	9
007241-106	2	008638-000	4
007241-107	2	009065-000	9
007241-108	2	009111-000	9
007241-109	2	009112-000	9
007241-110	2	009225-000	3
007241-111	2	009280-000	4
007241-112	2	009472-000	10
007241-113	2	009474-000	10
007241-114	2	009476-000	10
007241-115	2	009477-000	10
007241-116	2	009478-000	10
007241-117	2	009568-000	4
007241-118	2	009630-002	4
007241-119	2	009630-005	4
007241-120	2	009630-006	4
007241-121	2	009630-008	4
007241-122	2	009630-013	4
007241-123	2	009630-024	4
007241-124	2	009818-000	2
007241-125	2	009820-000	4
007241-126	2	009821-000	9
007241-127	2	009823-002	7, 7
007243-000	2	009823-003	7, 7
007243-100	2	009823-004	7, 7
007278-000	3, 8	009823-005	7, 7
007298-000	10	009823-006	7, 7
007323-000	9	009823-007	7, 7
007374-000	5	009823-008	7, 7
007378-000	10	009823-009	7, 7
007400-000	4	009823-010	7, 7
007701-000	6	009823-011	7, 7
007705-000	3	009823-012	7, 7
007794-000	5	009823-013	7, 7



009823-014	7, 7	020032-016	7
009823-015	7, 7	020032-017	7
009823-016	7, 7	020032-018	7
009823-017	7, 7	020032-019	7
009823-018	7, 7	020032-020	7
009823-019	7, 7	020032-021	7
009823-020	7, 7	020032-022	7
009823-021	7, 7	020032-023	7
009823-022	7, 7	020032-024	7
009823-023	7, 7	020032-027	7
009823-024	7, 7	020038-002	2
009823-025	7, 7	020038-003	2
009823-026	7, 7	020038-004	2
009823-027	7, 7	020038-005	2
009830-000	2	020038-006	2
010251-000	9	020038-008	2
011545-000	9	020038-009	2
011570-000	9	020038-010	2
011608-000	9	020038-012	2
011695-000	9	020038-013	2
012565-000	5	020038-015	2
012794-000	1	020038-016	2
013213-000	1	020038-017	2
013303-000	2	020038-018	2
013320-000	1	020038-019	2
014328-000	1	020038-020	2
015981-000	5	020038-021	2
018200-000	9	020038-022	2
019958-000	5	020038-023	2
019975-000	2	020038-024	2
020032-002	7	020038-025	2
020032-003	7	020038-026	2
020032-004	7	020038-027	2
020032-005	7	023090-000	8
020032-006	7	023093-000	3
020032-008	7	023325-000	10
020032-009	7	023340-000	10
020032-010	7	023649-000	7
020032-012	7	023651-000	5
020032-013	7	023750-000	10
020032-015	7	023943-000	3



024605-000	10	A2002654	6
024606-000	10	A2004428	8
024942-000	4	A2004429	4
025992-000	10	A2007943	7
025993-000	10	A2008467	8
030567-000	5	B2001448	8
031679-000	8	B2004415	3
031961-000	4	B2005589	8
032123-000	6	E9107933	8
033365-000	10	E9107934	8
034927-000	6	E9109800BK	9
034928-000	6	G3001876	8
035828-000	4	G4000936	10
035881-000	1	G9102745	7
035883-000	1	G9104482	8
035887-000	1	M0210443	8
038605-000	4	PA020056	5
038606-002	4	PA020058	1
038606-005	4	PA070003	1
038606-006	4	PA080083	9
038606-008	4	PB020192	9
038606-013	4	PB020193	9
038606-024	4	PB040170	3, 8
040345-000	8	PB040171	8
040736-000	3, 8	PB060030	3, 8
040863-000	8	PB060044	8
040963-000	3	PB060046	3
042418-2104	1	PB070145	2, 2
044178-000	4	PD020032	1
049416-000	9	PD020048	8
049420-000	9	PD040004	1
049718-402	3, 8	PD040075	9
050172-000	1	PE010030	2
051433-000	9	PE050023	1
068456-000	8	PE050024	1
068457-000	3	PE050057	8
A1002596	8	PE050206	8
A20012649	5	PE050250	5
A2001361	8	PE060030	7
A2002189	7	PE060031	7
A2002595	8	PE060032	2



PE060046	2
PE060064	7
PE070036	10
PE070889	10
PE070890	10
PJ030034	1
PJ030035	1