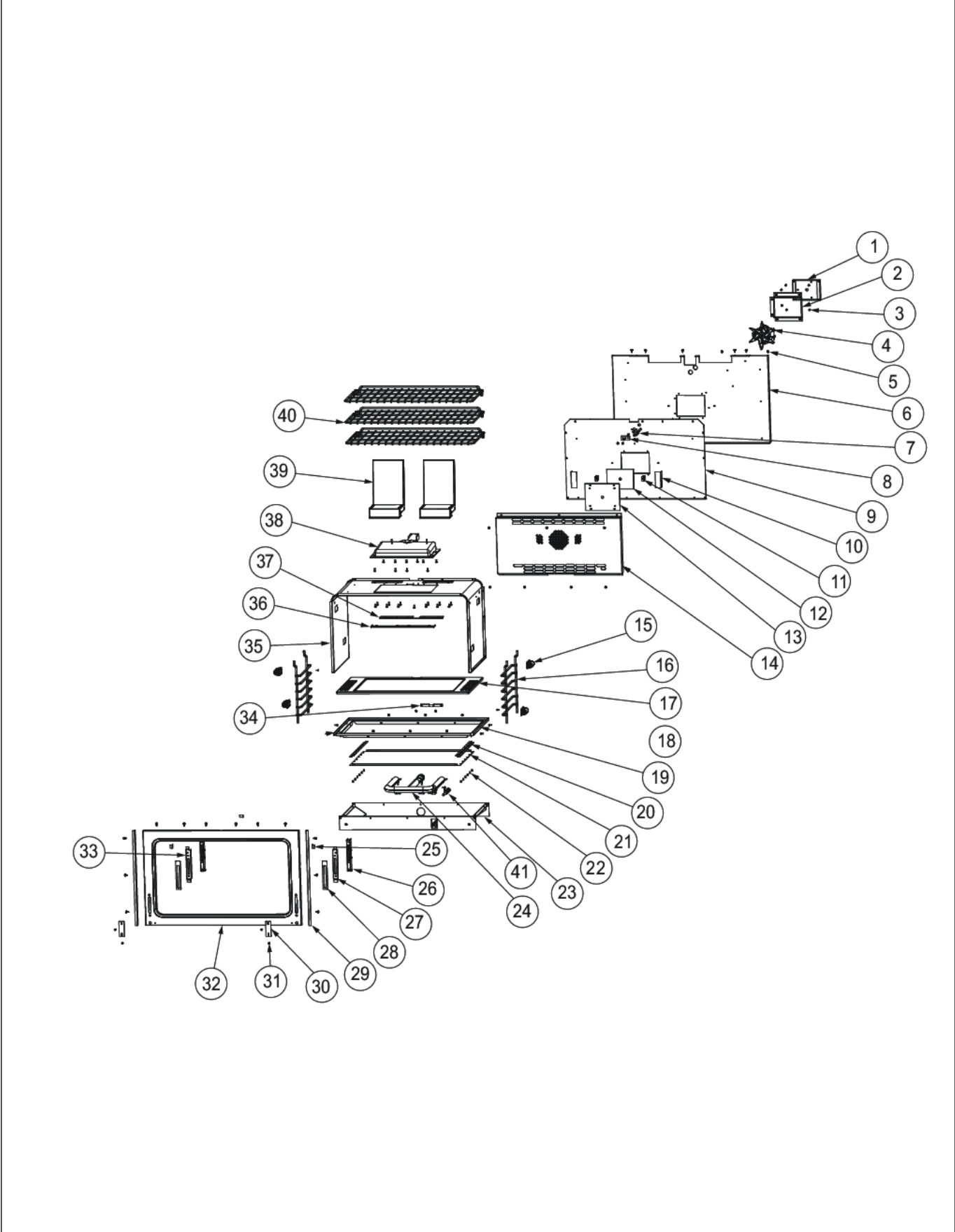


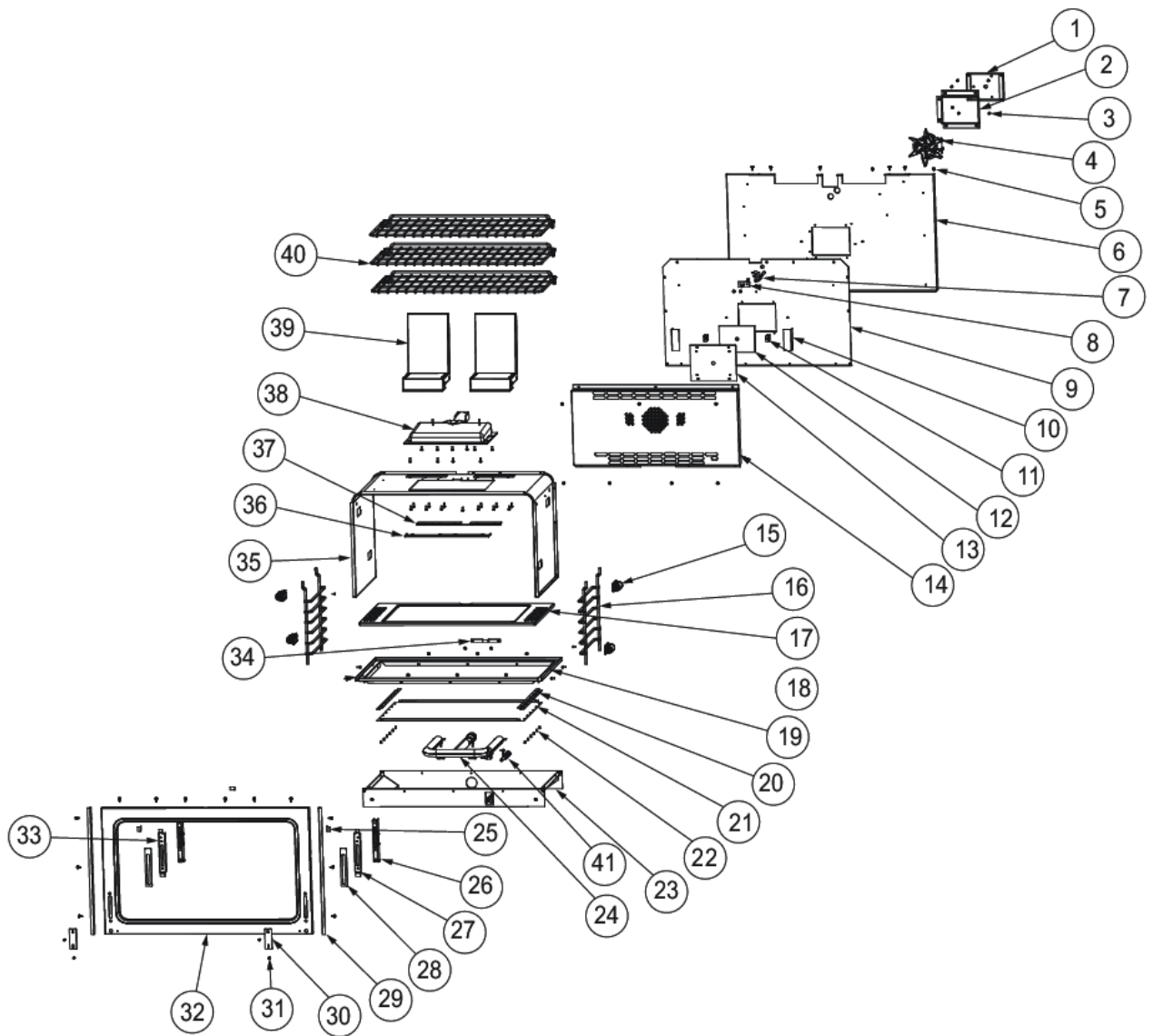
VGSC536-4Q

CAVITY INTERIOR	1
CONTROL AREA	2
DOOR ASSEMBLY	3
LOWER UNIT AND SIDE PANELS	4
OVEN ELECTRONICS	5
REAR SHEET METAL	6
SURFACE COOKING AREA	7
WIRING	8
Appendix A:Pages Index	A
Appendix B:Parts Index	B

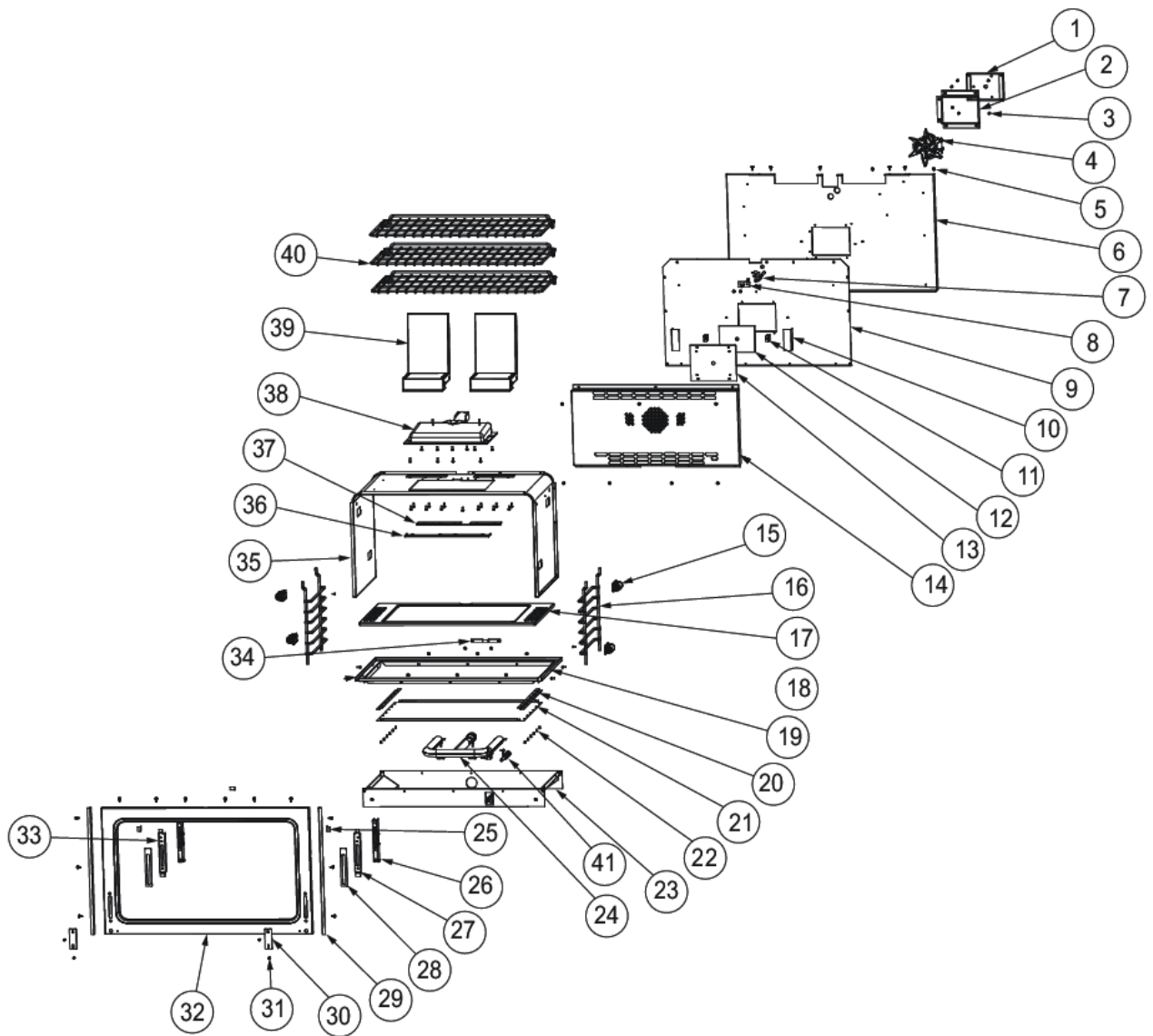
CAVITY INTERIOR



Item	Part No.	Name	Qty	Uom	NOTES
1	A2002595	CONVECTION FAN BOX (VDSC)	1	EA	
2	A2008467	INSULATION SHIELD	1	EA	
3	PD020060	10 X 1/2" (5/16)HEX WSHER HD.(T)A	52	EA	
4	PE050057	CONVECTION FAN (VGSC306)	1	EA	
Not Shown	NOTE	(BEFORE 8/31/11)		EA	
4	023090-000	MOTOR, CONV ASM	1	EA	
Not Shown	NOTE	(ON OR AFTER 8/31/11)		EA	
5	003860-000	10-18 x .500 FASTNR,SCR,HXWH,STL,ZPLT	19	EA	
6	007841-000	BACK INSULATION PANEL, 36"	1	EA	
7	PB040171	BROIL IGNITION ELECTRODE	1	EA	
8	007008-000	RTD PROBE	1	EA	
9	005263-000	BACK LINER 36"	1	EA	
10	E2004435	CONVECTION FAN BAFFLE (VGSC306)	2	EA	NO LONGER AVAILABLE, Not available online / Call for pricing and availability
11	A2001361	BACK SPACER (VGSC/VGSS)	2	EA	
12	PB070208	CONVECTION FAN INSULATION	1	EA	
13	A1002596	CONVECTION FAN COVER (VDSC)	1	EA	
14	021225-402	COVER, CNVN, ASM, BK PORC	1	EA	
Not Shown	NOTE	(UNITS WITH "BLACK" PORC.)		EA	
14	021225-403	COVER, CNVN, ASM, GY PORC	1	EA	
Not Shown	NOTE	(UNITS WITH "GREY" PORC.)		EA	
15	005311-000	LAMP, OVEN, 120V/25W	4	EA	
16	PB060030	RACK SUPT REPL PB060010	2	EA	
17	068458-000	ASM, BOTTOM, CAVITY, OVEN, GAS 36" GRAY	1	EA	
Not Shown	NOTE	(INCLUDES HEAT SHIELD)		EA	
18	PD020067	' #6 X 3/8" PAN PHIL. TEK *SS*	2	EA	
19	005264-000	BOTTOM LINER, 36"	1	EA	



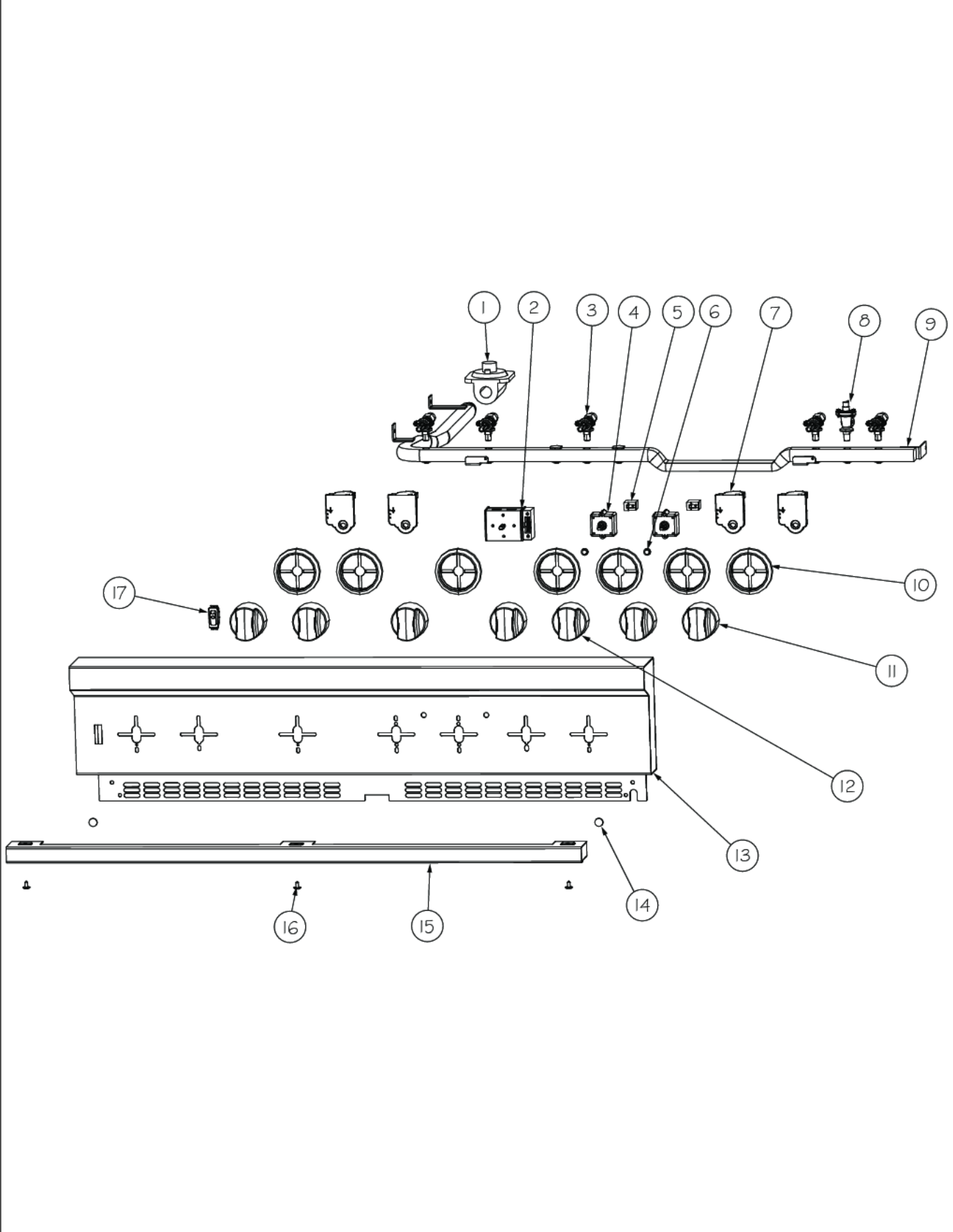
Item	Part No.	Name	Qty	Uom	NOTES
20	E2004433	OVEN BOTTOM BRACE (VGSC306)	2	EA	NOT FIELD REPLACEABLE
21	A2005525	OVEN BOTTOM HEAT SHIELD	1	EA	
22	PR020084	18 GA. A.S. (28" X 96" SHEET)	2	EA	Not available online / Call for pricing and availability
23	005259-000	OVEN, CAVITY, ASM, BOTTOM	1	EA	
24	008191-000	OVEN BURNER ASSY	1	EA	
25	006050-000	BRACKET, FR, FRONT	3	EA	
26	031679-000	RECEPTACLE, HINGE	1	EA	
27	E2109638	BRACKET, HINGE RECPT RH	1	EA	NOT FIELD REPLACEABLE, Not available online / Call for pricing and availability
28	007259-000	SHIM - NLA	2	EA	
29	005536-000	TRIM	2	EA	
30	007278-000	ARM HINGE CLIP	2	EA	
Not Shown	NOTE	(BEFORE 01/02/13)		EA	
30	049718-402	CLIP, RETAINER, HINGE, GLOSS BLACK ENAMEL	2	EA	
Not Shown	NOTE	(AFTER 1/2/13)		EA	
31	PD020232	#8 X 3/4" PH PAN HEAD TEK SCREW (BLACK OXIDE)	2	EA	
32	007844-000	FRONT FRAME, 36"	1	EA	
33	E21012644	BRACKET, HINGE RECPT LH	1	EA	Not available online / Call for pricing and availability
34	A2004428	REAR BOTTOM BRCKT (VGSC306)	1	EA	
Not Shown	NOTE	(BEFORE 8/31/11)		EA	
35	E30014476	36" VGSC OVEN CAVITY	1	EA	Not available online / Call for pricing and availability
36	020409-000	BRACKET, SPRT, FR, I/R BROILER	1	EA	





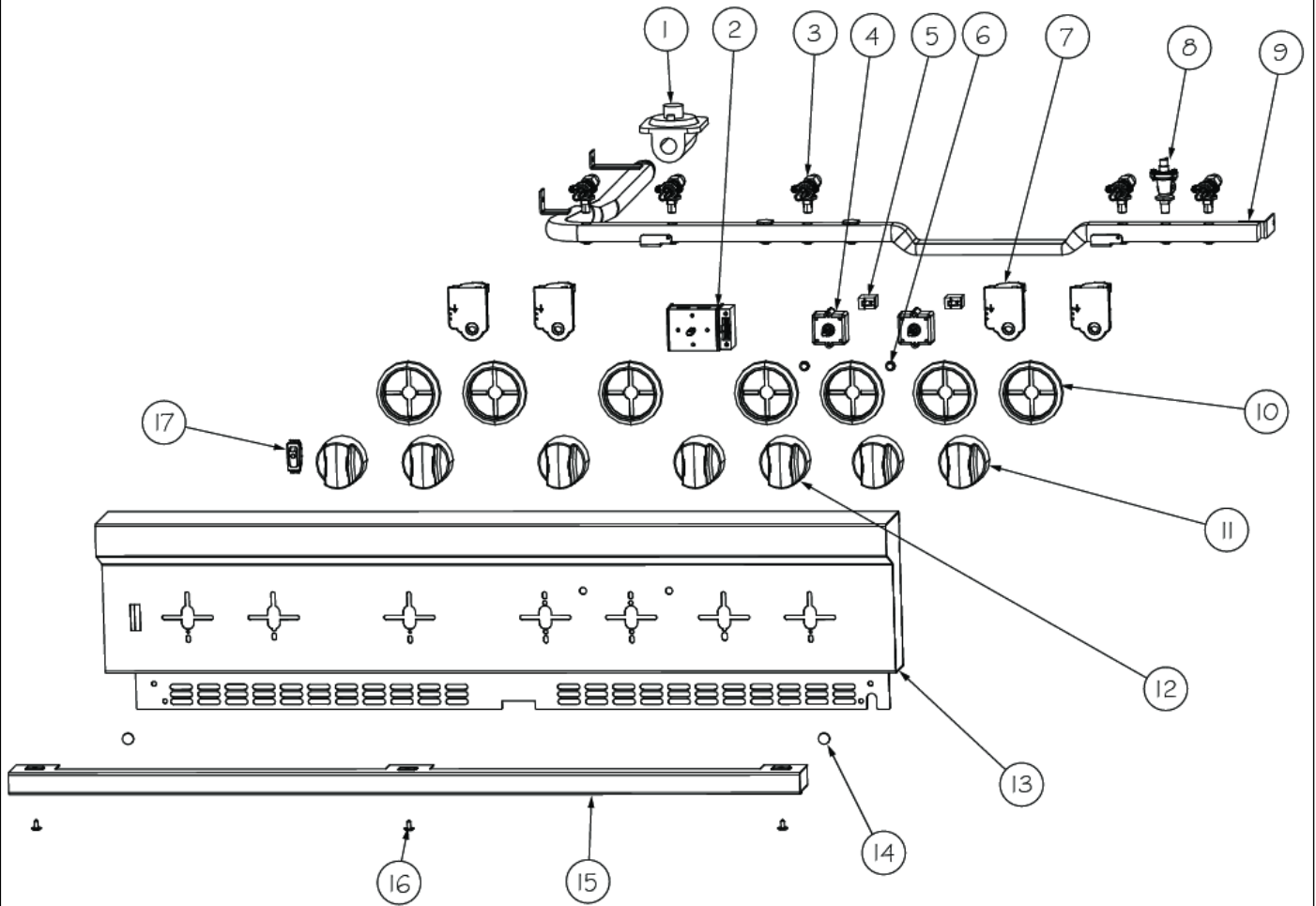
Item	Part No.	Name	Qty	Uom	NOTES
37	B2005589	REAR BROILER BRACKET	1	EA	Not available online / Call for pricing and availability
38	G3001876	IR BURNER ASSY (VGSC/RC) N/S	1	EA	
39	006192-000	VENT, ASM, OVEN ASSEMBLY	2	EA	
40	PB060045	OVEN RK VDSC36 REPL PB060020	3	EA	
Not Shown	NOTE	(BEFORE 12/20/12)		EA	
40	040865-000	RACK, PRO, 36"	1	EA	
Not Shown	NOTE	(ON OR AFTER 12/20/12)		EA	
NI	040349-000	RACK, GLDE, 36", PRO ASSY	2	EA	
Not Shown	NOTE	(ON OR AFTER 12/20/12)		EA	
41	PB040170	BAKE IGNITION ELECTRODE	1	EA	

CONTROL AREA

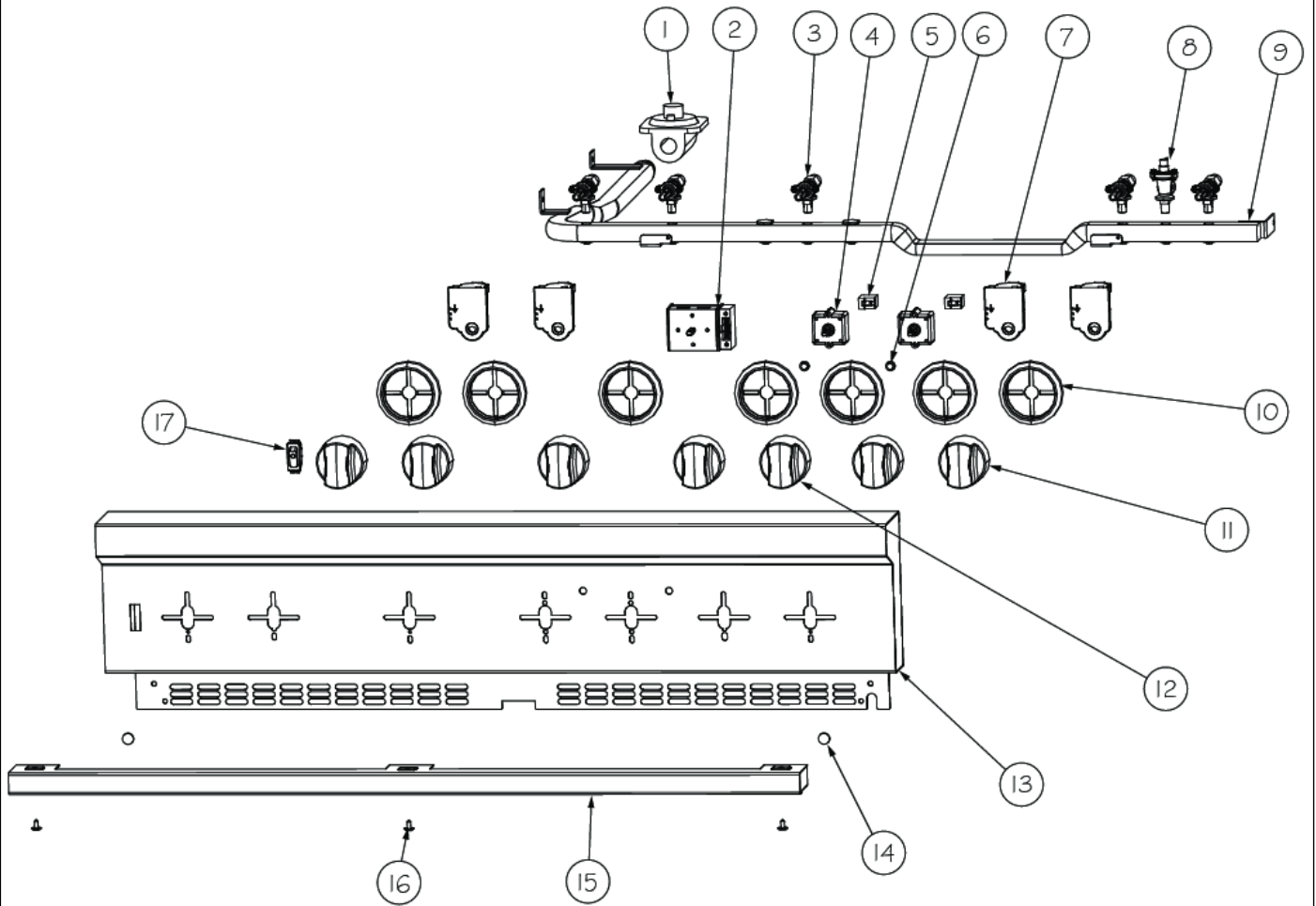




Item	Part No.	Name	Qty	Uom	NOTES
1	PA070003	PRESSURE REGULATOR	1	EA	
1	013386-000	LP PRESSURE REGULATOR	1	EA	
2	PJ030035	THERMOSTAT	1	EA	
<p>Comments for Part Num. PJ030035</p> <p>parts@lvdistributes.com on Feb 7, 2018 this is not the correct part for this range it should be a 003225-000 Reply by JREXEC02@AOL.COM on Feb 27, 2018 003225-000 is an Induction Control.</p> <p>PJ030035 is the red colored thermostat for the Gas Range *****</p>					
3	006313-000	VALVE, BRS, SEALED TOP	5	EA	
4	PJ030035	THERMOSTAT	2	EA	
<p>Comments for Part Num. PJ030035</p> <p>parts@lvdistributes.com on Feb 7, 2018 this is not the correct part for this range it should be a 003225-000 Reply by JREXEC02@AOL.COM on Feb 27, 2018 003225-000 is an Induction Control.</p> <p>PJ030035 is the red colored thermostat for the Gas Range *****</p>					
5	PE050024	OVEN IND. LIGHT (LIGHT HOUSING)	2	EA	
<p>Comments for Part Num. PE050024</p> <p>haarnink@vikingrange.com on Jan 14, 2019 please not that the indicator light is now part 043135-000 but needs the Jumper harness 051443-000. and second option there are units in the field with a 230V indicator light part number 036566-000.</p> <p>please check this for all "E" module ranges/Tops</p>					
Not Shown	NOTE	(BEFORE 7/13/11)		EA	
6	PE050023	OVEN IND. LIGHT (LENS & BEZEL)	1	EA	
Not Shown	NOTE	(BEFORE 7/13/11)		EA	
6	015043-000	INDICATOR, LIGHT, BLUE LED	1	EA	



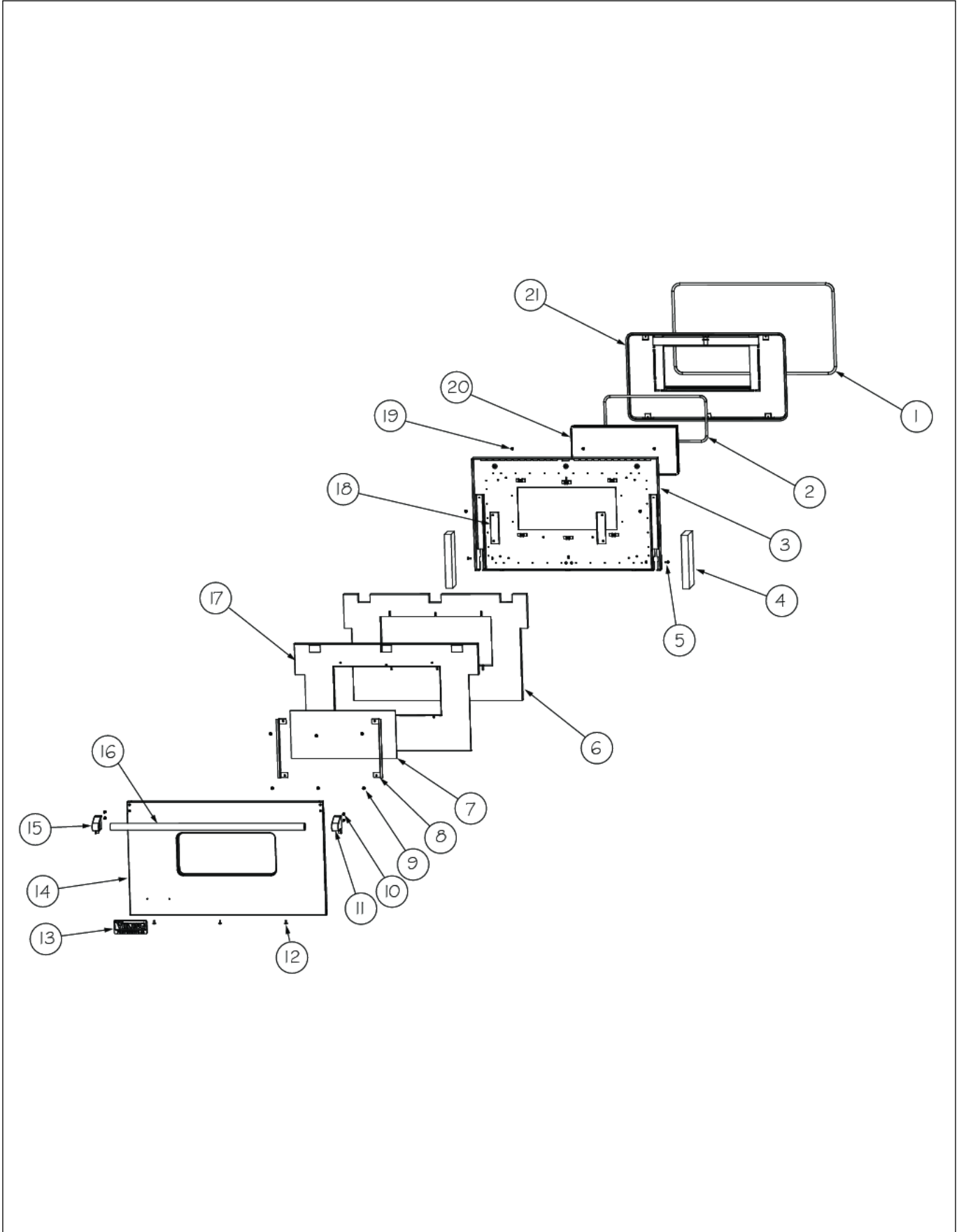
Item	Part No.	Name	Qty	Uom	NOTES
Not Shown	NOTE	(ON OR AFTER 7/13/11)		EA	
7	PA020058	IRIS SINGLE SPARK MODULE	4	EA	
8	007147-000	SHUTOFF VALVE ASSY	1	EA	
9	012265-000	MANIFOLD, GAS VGCC/SC536-6B/4Q	1	EA	
10	050172-000	BEZEL, KNOB	7	EA	
11	005269-000	RANGE TOP BURNER KNOB-BRUSHED, SSS	5	EA	
Not Shown	NOTE	BEFORE 12/20/12		EA	
11	035881-000	KNOB, BNR, TOP PRO CR3	5	EA	
Not Shown	NOTE	AFTER 12/20/12		EA	
12	008415-000	KNOB, SEL, #3 SSS, ASM, VGSC	2	EA	
Not Shown	NOTE	BEFORE 12/20/12		EA	
12	035887-000	KNOB,OVN,SEL, PRO VGSC CR3	2	EA	
Not Shown	NOTE	AFTER 12/20/12		EA	
13	012444-000	CONTROL PANEL ASM VGSC536-4Q	1	EA	
14	PD040004	GROMMET BUMPER	2	EA	
15	011637-000	TRIM, ASM	1	EA	
16	PD020032	SRW-8(A)X3/8"PH.WFR HD 7/16DIA*NICL	3	EA	
17	006355-000	SPLASHPROOF ROCKER SWITCH	1	EA	
NI	012444-000	CONTROL PANEL ASM VGSC536-4Q	1	EA	
NI	005270-000	RANGE THERMOSTAT KNOB-BRUSHED, SSS	1	EA	
Not Shown	NOTE	BEFORE 12/20/12		EA	
NI	035893-000	KNOB,OVN,TSTAT, PRO VDSC/VESC CR3	1	EA	
Not Shown	NOTE	AFTER 12/20/12		EA	
NI	006574-000	KNOB, GRL, ASM, PVD, #3, SSS	1	EA	



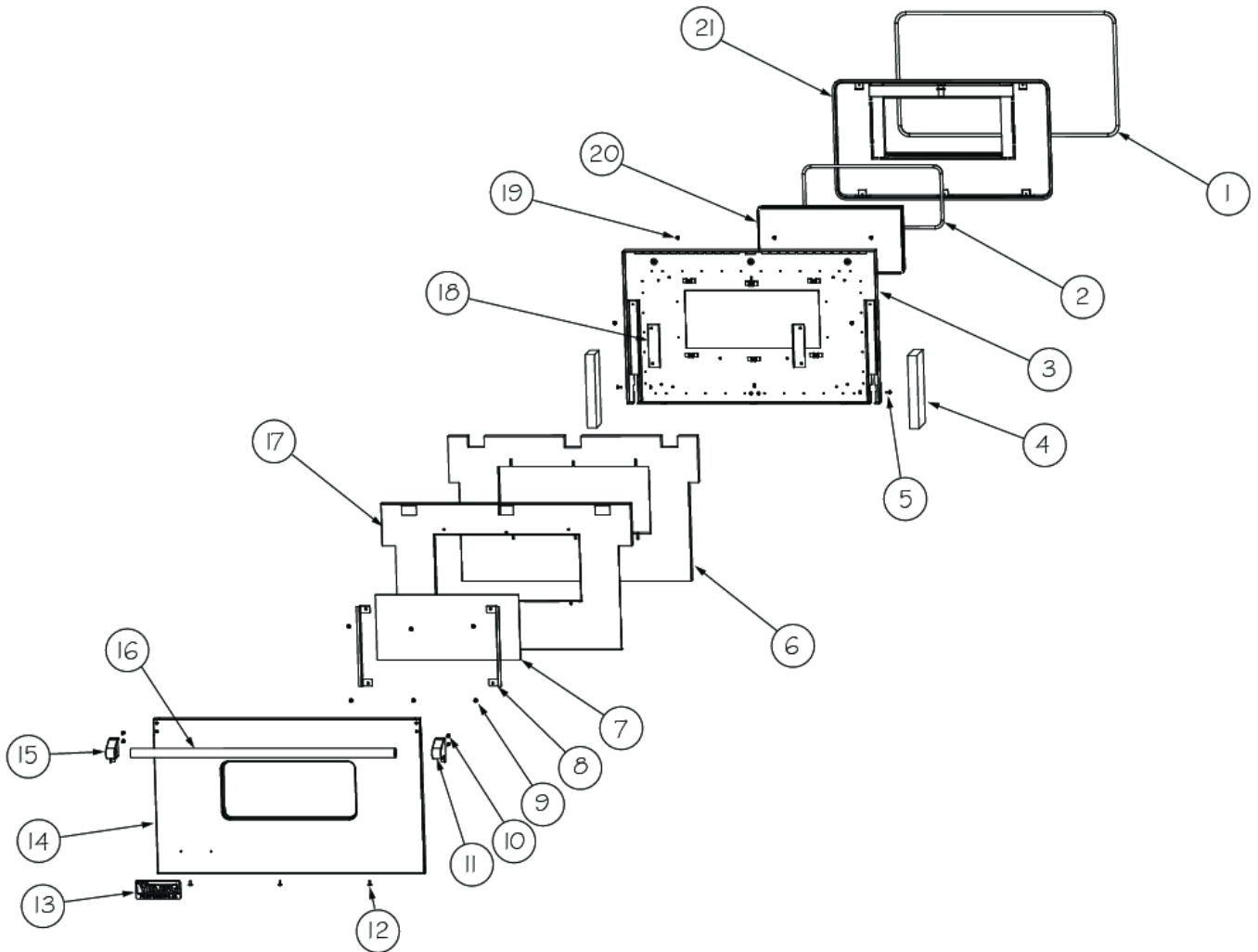


Item	Part No.	Name	Qty	Uom	NOTES
Not Shown	NOTE	BEFORE 12/20/12		EA	
NI	035885-000	KNOB,GRL,PRO CR3	1	EA	
Not Shown	NOTE	AFTER 12/20/12		EA	

DOOR ASSEMBLY

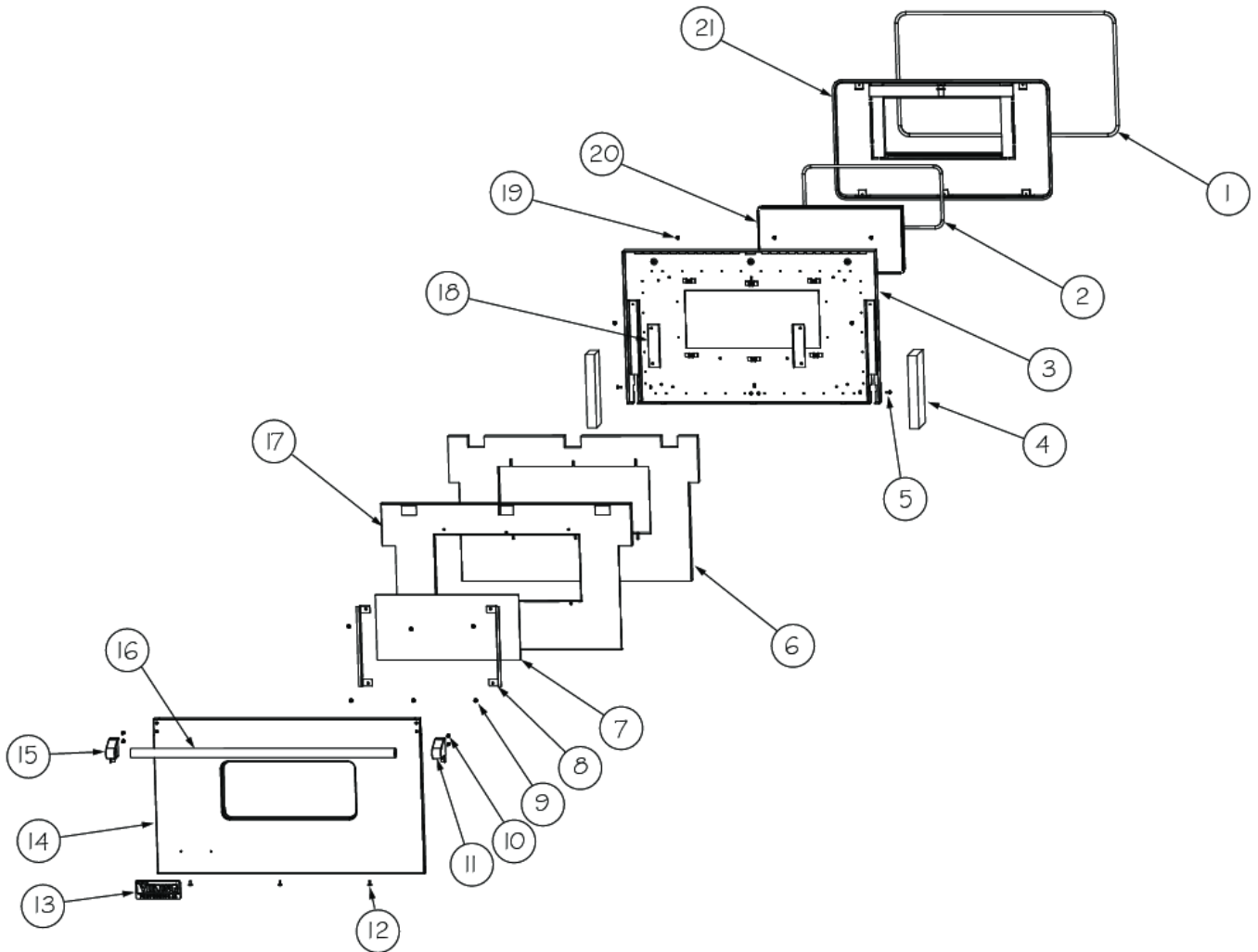


Item	Part No.	Name	Qty	Uom	NOTES
1	000090-000	36" DOOR GASKET	1	EA	
2	000594-000	BLACK FIBERGLASS ROPE 3/8	1	EA	
3	008154-000	36" DOOR LINER WELD ASM	1	EA	
4	013290-000	HINGE, DOOR, VGCC36" - PINK SPRING	2	EA	
<p>Comments for Part Num. 013290-000</p> <p>CAREYSAPPLIANCE@HOTMAIL.COM on Feb 15, 2018 in door view hinges are showing 2 different hinges #15) part 002740-000 #17) part 013290-000 these part numbers in middleby do not cross over to each other please correct with the correct part numbers Thanks Dan</p>					
5	PD010003	10-24 X 1/2 PH.TR.HD.SERD.M.S.	2	EA	
6	007854-000	DOOR LINER INSULATION	1	EA	
7	PE060039	GLASS-HEAT TREATED (HB2) VDSC	1	EA	
8	007583-000	BRACKET, GLASS	1	EA	
9	PD020014	10X3/4 PH TR HD SMS	6	EA	
10	030823-000	#10-32 PAN HEAD PHILLIPS MACHINE SCREW	4	EA	
11	003012-000	DOOR HANDLE ENDCAP ASSY, RH (CHROME)	1	EA	
11	003012-100	DOOR HANDLE ENDCAP ASSY, RH (BRASS) - NLA	1	EA	
12	PD020033	SRW-#10-24X1/2"(23)PH.WFR HD (NKL)	3	EA	
13	PE010030	LOGO	1	EA	
13	PE010068	LOGO 6" (VGRC) BK/BR	1	EA	
14	020215-000	36" DOOR SKIN SERVICE KIT	1	EA	
14	020693-002	SRV DOOR SKIN KIT, 36" BK, VGSC, VGCC	1	EA	Not available online / Call for pricing and availability
14	020693-003	SRV DOOR SKIN KIT, 36" BT, VGSC, VGCC	1	EA	
14	020693-004	SRV DOOR SKIN KIT, 36" SG, VGSC, VGCC	1	EA	

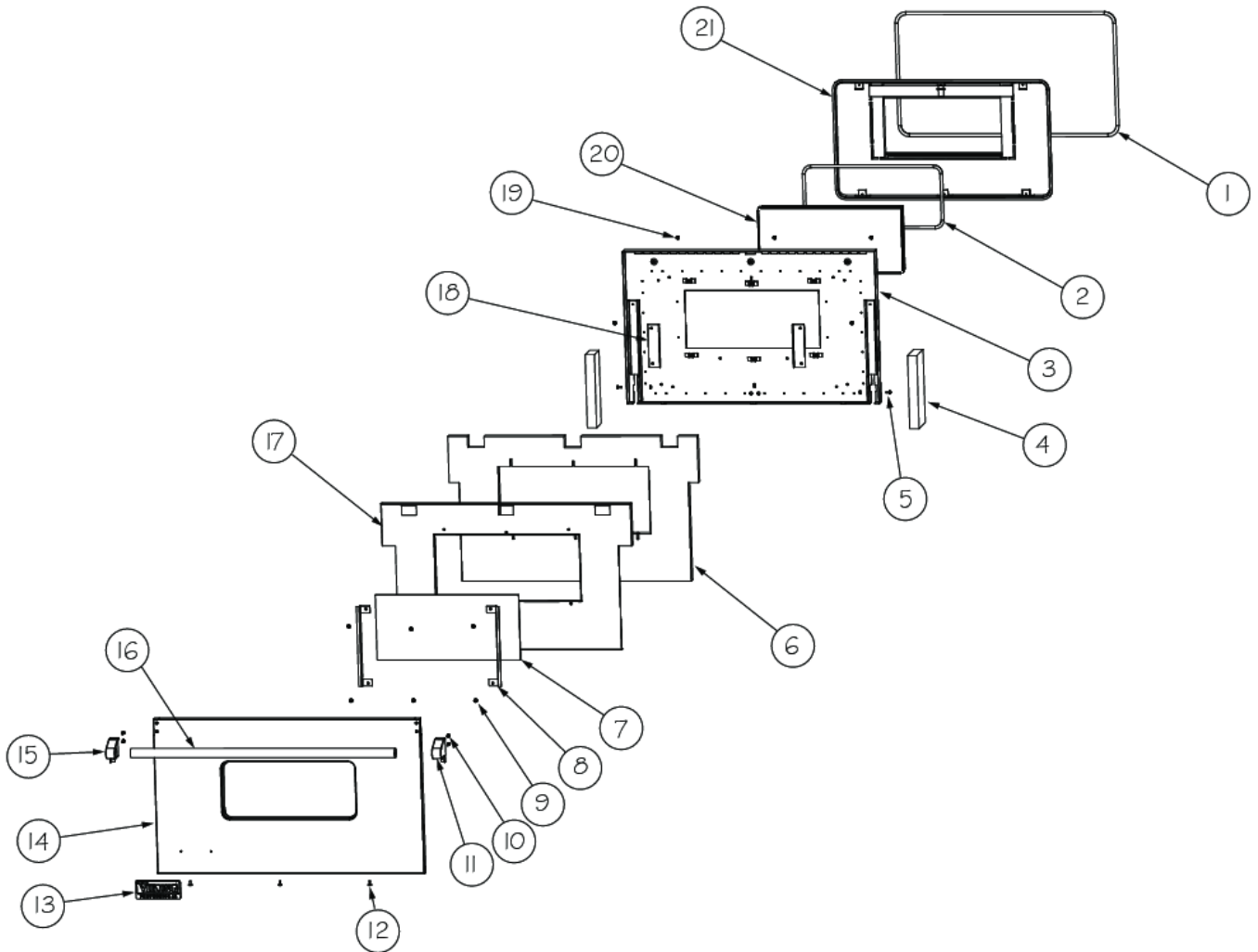




Item	Part No.	Name	Qty	Uom	NOTES
14	020693-005	SRV DOOR SKIN KIT, 36" GG, VGSC, VGCC	1	EA	
14	020693-006	SRV DOOR SKIN KIT, 36" WH, VGSC, VGCC	1	EA	
14	020693-008	SRV DOOR SKIN KIT, 36" BU, VGSC, VGCC	1	EA	
14	020693-009	SRV DOOR SKIN KIT, 36" LE, VGSC, VGCC	1	EA	
14	020693-010	SRV DOOR SKIN KIT, 36" MJ, VGSC, VGCC	1	EA	
14	020693-012	SRV DOOR SKIN KIT, 36" VB, VGSC, VGCC	1	EA	Not available online / Call for pricing and availability
14	020693-013	SRV DOOR SKIN KIT, 36" CB, VGSC, VGCC	1	EA	
14	020693-015	SRV DOOR SKIN KIT, 36" PL, VGSC, VGCC	1	EA	
14	020693-016	SRV DOOR SKIN KIT, 36" CH, VGSC, VGCC	1	EA	Not available online / Call for pricing and availability
14	020693-017	SRV DOOR SKIN KIT, 36" TP, VGSC, VGCC	1	EA	
14	020693-018	SRV DOOR SKIN KIT, 36" CW, VGSC, VGCC NLA	1	EA	
14	020693-019	SRV DOOR SKIN KIT, 36" OG, VGSC, VGCC	1	EA	
14	020693-020	SRV DOOR SKIN KIT, 36" GM, VGSC, VGCC	1	EA	
14	020693-021	SRV DOOR SKIN KIT, 36" SA, VGSC, VGCC	1	EA	
14	020693-022	SRV DOOR SKIN KIT, 36" SE, VGSC, VGCC	1	EA	
14	020693-023	SRV DOOR SKIN KIT, 36" IB, VGSC, VGCC	1	EA	
14	020693-024	SRV DOOR SKIN KIT, 36" AR, VGSC, VGCC	1	EA	
14	020693-025	SRV DOOR SKIN KIT, 36" RR, VGSC, VGCC	1	EA	
14	020693-026	SRV DOOR SKIN KIT, 36" PM, VGSC, VGCC	1	EA	
14	020693-027	SRV DOOR SKIN KIT, 36" MS, VGSC, VGCC	1	EA	



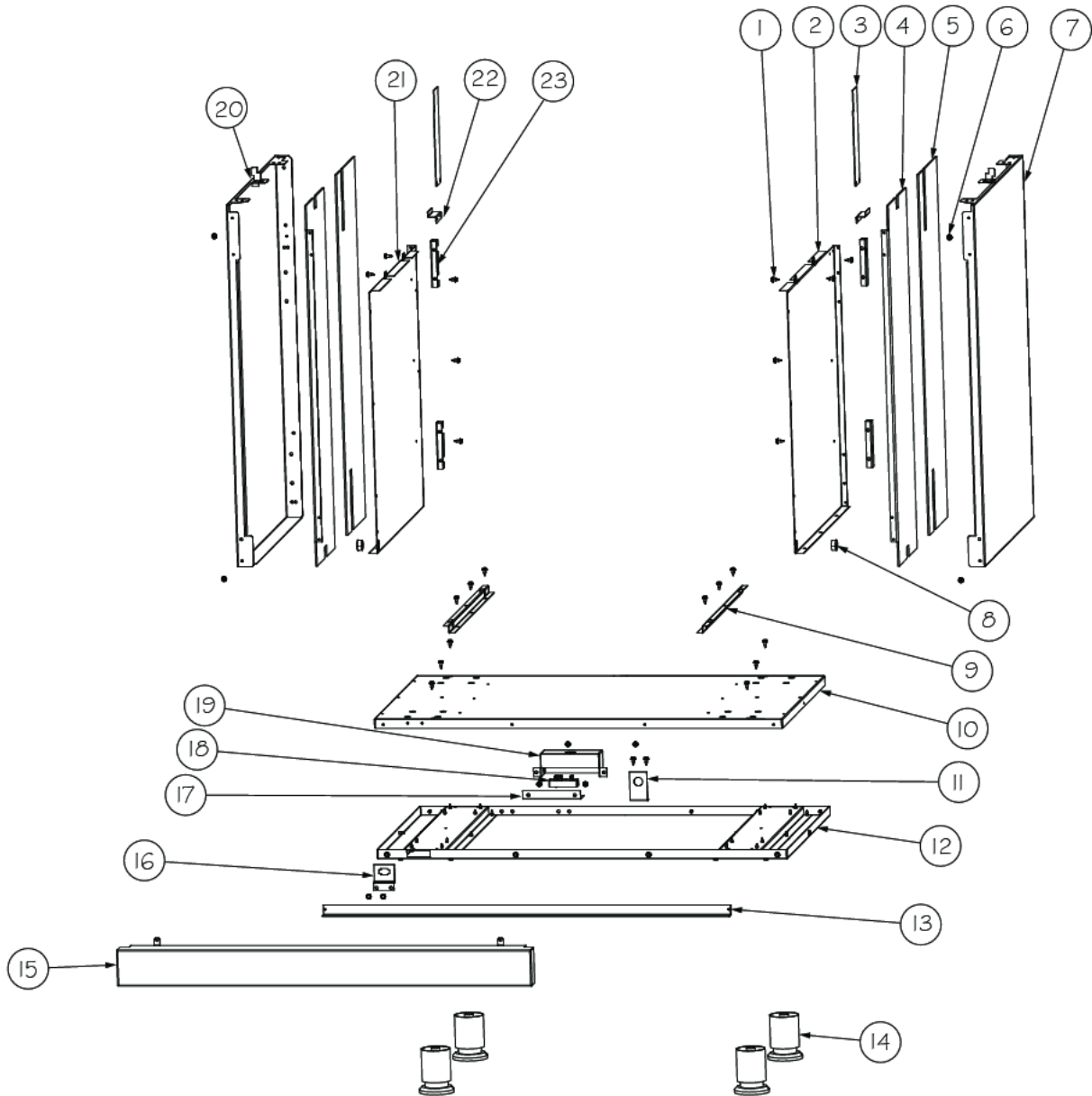
Item	Part No.	Name	Qty	Uom	NOTES
14	020693-051	SRV DOOR SKIN KIT, 36 CN, VGSC, VGCC	1	EA	
14	020693-052	SRV DOOR SKIN KIT, 36 DJ, VGSC, VGCC	1	EA	Not available online / Call for pricing and availability
14	020693-053	SRV DOOR SKIN KIT, 36 KB, VGSC, VGCC	1	EA	
14	020693-054	SRV DOOR SKIN KIT, 36 WS, VGSC, VGCC	1	EA	
15	003011-000	DOOR HANDLE ENDCAP ASSY, LH (CHROME)	1	EA	
15	003011-100	DOOR HANDLE ENDCAP ASSY, LH (BRASS)	1	EA	
16	006080-000	36" DOOR HANDLE, 35.5	1	EA	
17	007883-000	RETAINER LINER, 36"	1	EA	
18	A2002189	DOOR GLASS STANDOFF (VDSC)	2	EA	
19	PD020063	SCREW-#8(A) X 3/8"PH WFR HD/BK OXID	4	EA	
20	PE060064	WINDOW PACK, SELF CLEANING OVEN 30"	1	EA	
21	008185-000	36" DOOR PLUG ASM	1	EA	
NI	011524-002	COMPLETE DOOR ASM - BK	1	EA	Not available online / Call for pricing and availability
NI	011524-003	COMPLETE DOOR ASM - BT	1	EA	
NI	011524-004	COMPLETE DOOR ASM - SG	1	EA	
NI	011524-005	COMPLETE DOOR ASM - GG	1	EA	
NI	011524-006	COMPLETE DOOR ASM - WH	1	EA	
NI	011524-007	COMPLETE DOOR ASM - AL	1	EA	
NI	011524-008	COMPLETE DOOR ASM - BU	1	EA	
NI	011524-009	COMPLETE DOOR ASM - LE	1	EA	
NI	011524-010	COMPLETE DOOR ASM - MJ	1	EA	
NI	011524-011	COMPLETE DOOR ASM - FG	1	EA	
NI	011524-012	COMPLETE DOOR ASM - VB	1	EA	
NI	011524-013	COMPLETE DOOR ASM - CB	1	EA	
NI	011524-014	COMPLETE DOOR ASM - EP	1	EA	
NI	011524-015	COMPLETE DOOR ASM - PL	1	EA	





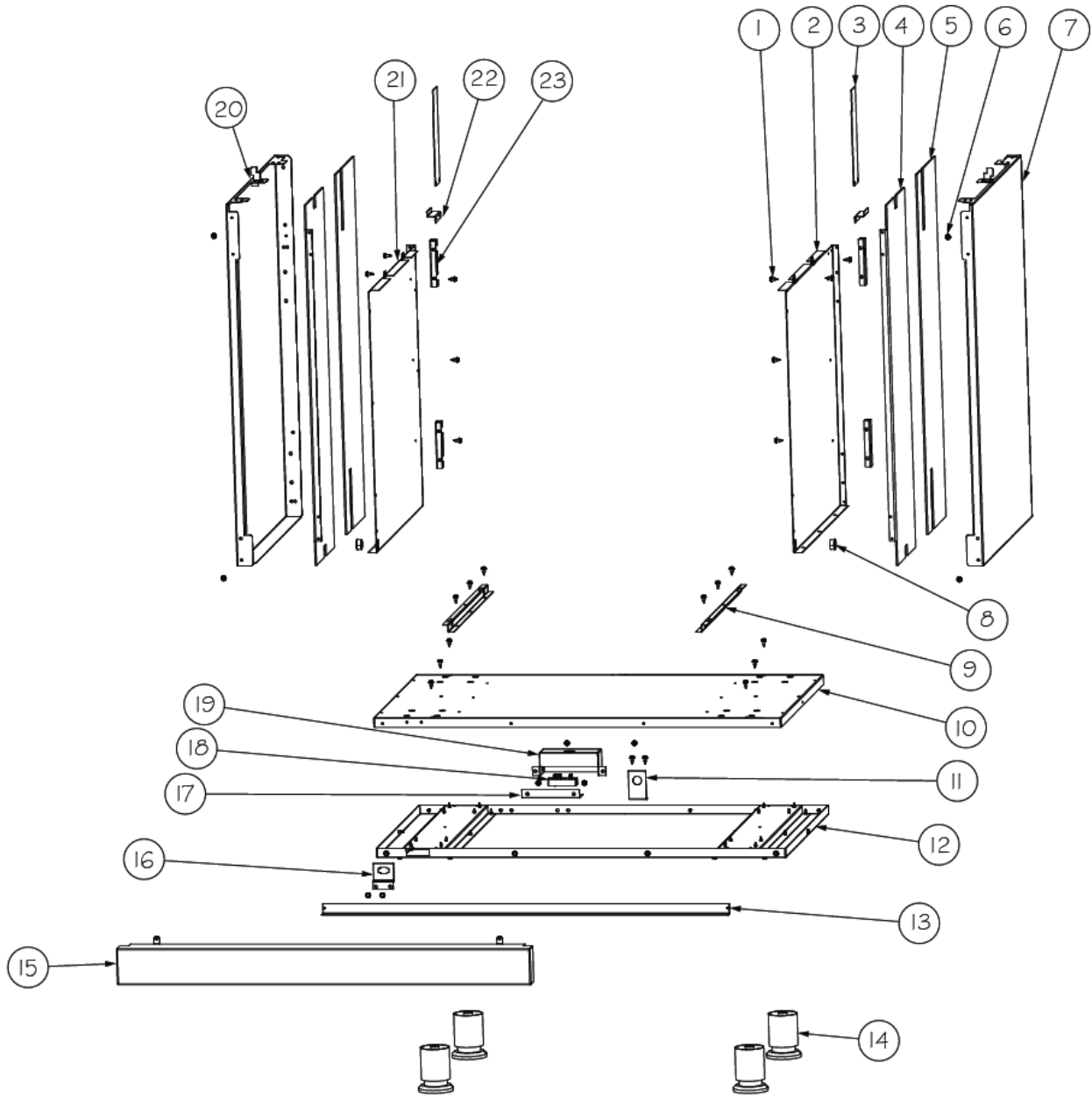
Item	Part No.	Name	Qty	Uom	NOTES
NI	011524-016	COMPLETE DOOR ASM - CH	1	EA	
NI	011524-017	COMPLETE DOOR ASM - TP	1	EA	
NI	011524-018	COMPLETE DOOR ASM - CW NLA	1	EA	
NI	011524-019	COMPLETE DOOR ASM - OG	1	EA	
NI	011524-020	COMPLETE DOOR ASM - GM	1	EA	
NI	011524-021	COMPLETE DOOR ASM - SA	1	EA	Not available online / Call for pricing and availability
NI	011524-022	COMPLETE DOOR ASM - SE	1	EA	
NI	011524-023	COMPLETE DOOR ASM - IB	1	EA	
NI	011524-024	COMPLETE DOOR ASM - AR	1	EA	
NI	011524-025	COMPLETE DOOR ASM - RR	1	EA	
NI	011524-026	COMPLETE DOOR ASM - PM	1	EA	
NI	011524-027	COMPLETE DOOR ASM - MS	1	EA	
NI	024604-000	INSULATION ANGLE	1	EA	Not available online / Call for pricing and availability

LOWER UNIT AND SIDE PANELS

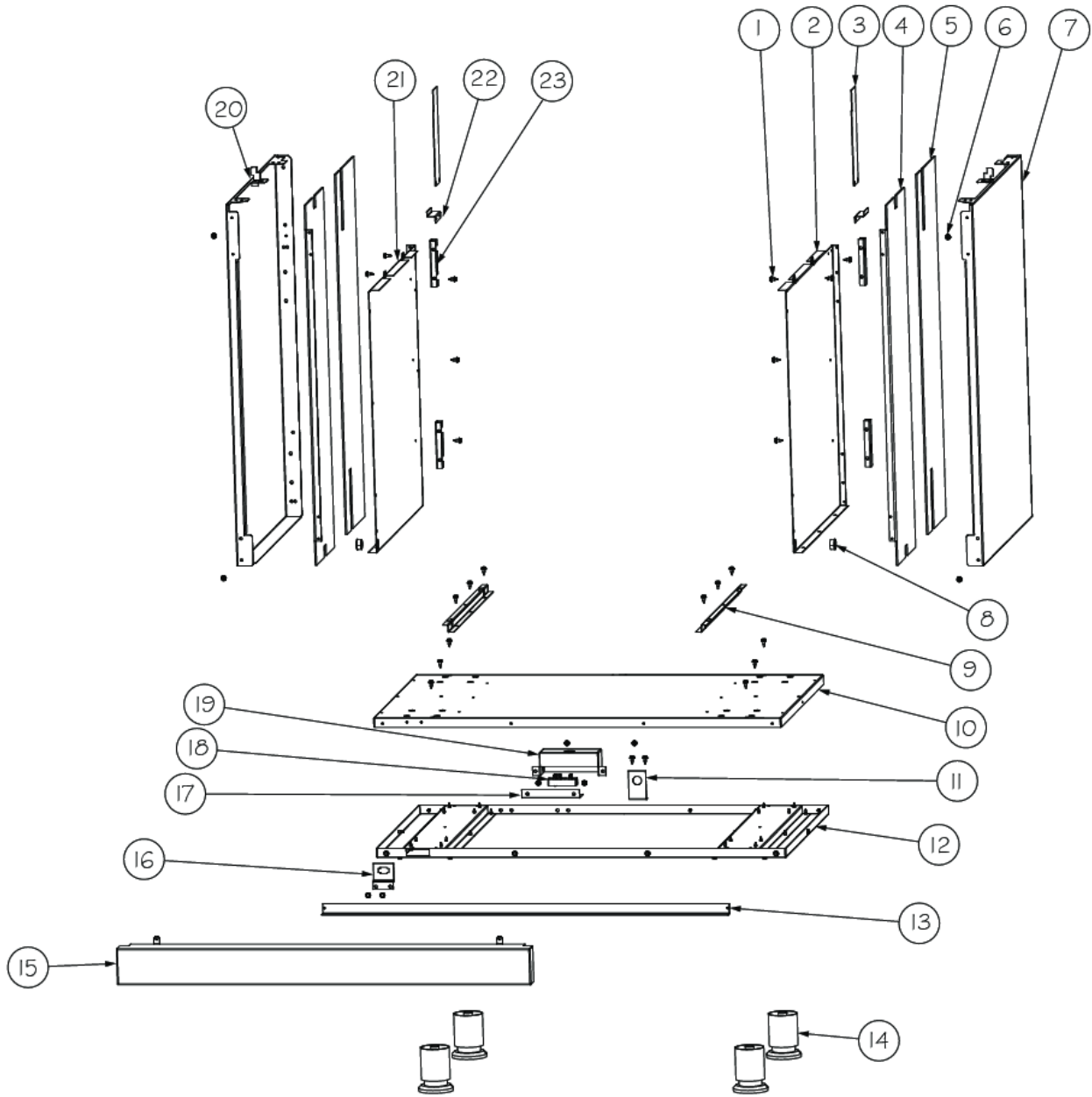




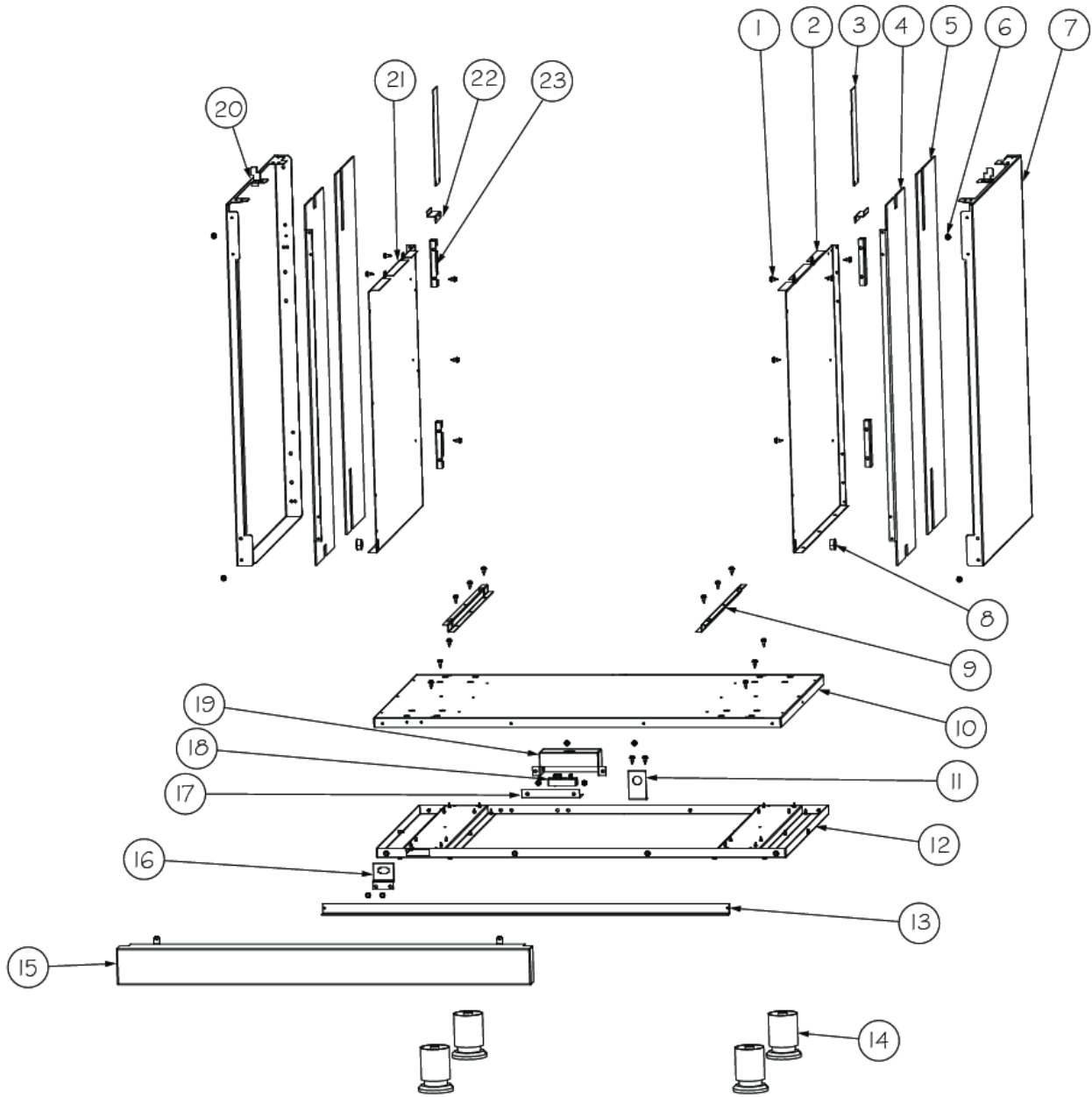
Item	Part No.	Name	Qty	Uom	NOTES
1	003860-000	10-18 x .500 FASTNR,SCR,HXWH,STL,ZPLT	29	EA	
2	004479-000	INSULATION, PNL, SIDE, RH	1	EA	
3	007486-000	PLATE, INSL	2	EA	
4	002238-000	HEAT SINK-SIDE PANEL	2	EA	NO LONGER AVAILABLE, Not available online / Call for pricing and availability
5	007488-000	SINK, REAR, SIDE	2	EA	
6	003801-000	SHOULDER SCREW, #10	4	EA	
7	002905-000	SIDE PANEL, RH	1	EA	
7	002905-000	SIDE PANEL, RH	1	EA	
7	004645-002	SIDE PANEL, RH,-BK	1	EA	
7	004645-003	SIDE PANEL, RH,-BT	1	EA	
7	004645-004	SIDE PANEL, RH,-SG	1	EA	
7	004645-005	SIDE PANEL, RH,-GG	1	EA	
7	004645-006	SIDE PANEL, RH,-WH	1	EA	
7	004645-007	SIDE PANEL, RH,-AL	1	EA	
7	004645-008	SIDE PANEL, RH,-BU	1	EA	
7	004645-009	SIDE PANEL, RH,-LE	1	EA	
7	004645-010	SIDE PANEL, RH,-MJ	1	EA	
7	004645-011	SIDE PANEL, RH,-FG	1	EA	
7	004645-012	SIDE PANEL, RH,-VB	1	EA	
7	004645-013	SIDE PANEL, RH,-CB	1	EA	
7	004645-014	SIDE PANEL, RH,-EP	1	EA	
7	004645-015	SIDE PANEL, RH,-PL	1	EA	Not available online / Call for pricing and availability
7	004645-016	SIDE PANEL, RH,-CH	1	EA	
7	004645-017	SIDE PANEL, RH,-TP	1	EA	
7	004645-018	SIDE PANEL, RH,-CW - NLA	1	EA	
7	004645-019	SIDE PANEL, RH,-OG	1	EA	
7	004645-020	SIDE PANEL, RH,-GM	1	EA	
7	004645-021	SIDE PANEL, RH,-SA	1	EA	



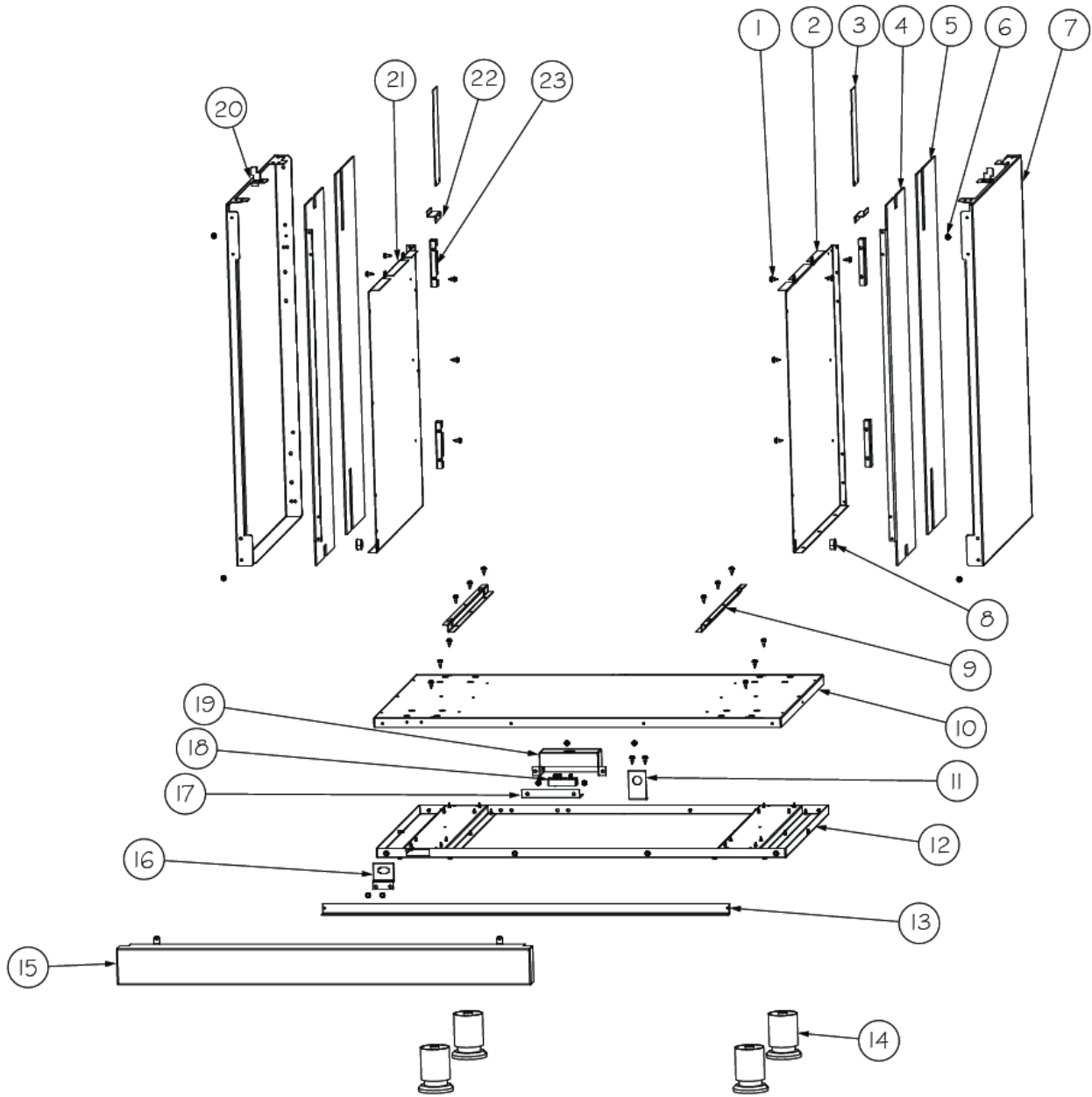
Item	Part No.	Name	Qty	Uom	NOTES
7	004645-022	SIDE PANEL, RH,-SE	1	EA	Not available online / Call for pricing and availability
7	004645-023	SIDE PANEL, RH,-IB	1	EA	
7	004645-024	SIDE PANEL, RH,-AR	1	EA	
7	004645-025	SIDE PANEL RH - RR	1	EA	Not available online / Call for pricing and availability
7	004645-026	SIDE PANEL, RH,-PM	1	EA	
7	004645-027	SIDE PANEL, RH,-MS	1	EA	
8	PD040005	SNAP BUSHING - 7/8"	2	EA	
9	A2004429	OVEN BOTTOM INSUL. BRACE (VGSC306)	2	EA	
10	020604-000	BASE, RANGE	1	EA	
11	005529-000	BAKE ORIFICE MOUNTING BRACKET	1	EA	
Not Shown	NOTE	(BEFORE 2/11/13)		EA	
11	040736-000	BRKT, ORF	1	EA	
Not Shown	NOTE	(ON OR AFTER 2/11/13)		EA	
12	007817-000	VGCC/SC BASE ASSEMBLY, 36"	1	EA	
13	008345-000	BOTTOM SUPPORT, 36"	1	EA	
14	044178-000	RANGE, LEG, ADJUSTABLE	4	EA	
15	007851-000	VGCC/SC 536 KICKPLATE SS	1	EA	
Not Shown	NOTE	(BEFORE 06/14/12)		EA	
15	035958-000	KICKPLATE,36:á	1	EA	
Not Shown	NOTE	(FROM 6/14/12 THRU 04/05/13)		EA	
15	042287-000	KICKPLATE, GAS & DUAL FUEL, 36"	1	EA	
Not Shown	NOTE	(ON OR AFTER 06/14/12)		EA	
15	011522-002	VGCC/SC 536 KICKPLATE - BK	1	EA	
Not Shown	NOTE	(BEFORE 04/05/13)		EA	
15	042323-002	KICKPLATE, 36" DCBZ BK	1	EA	



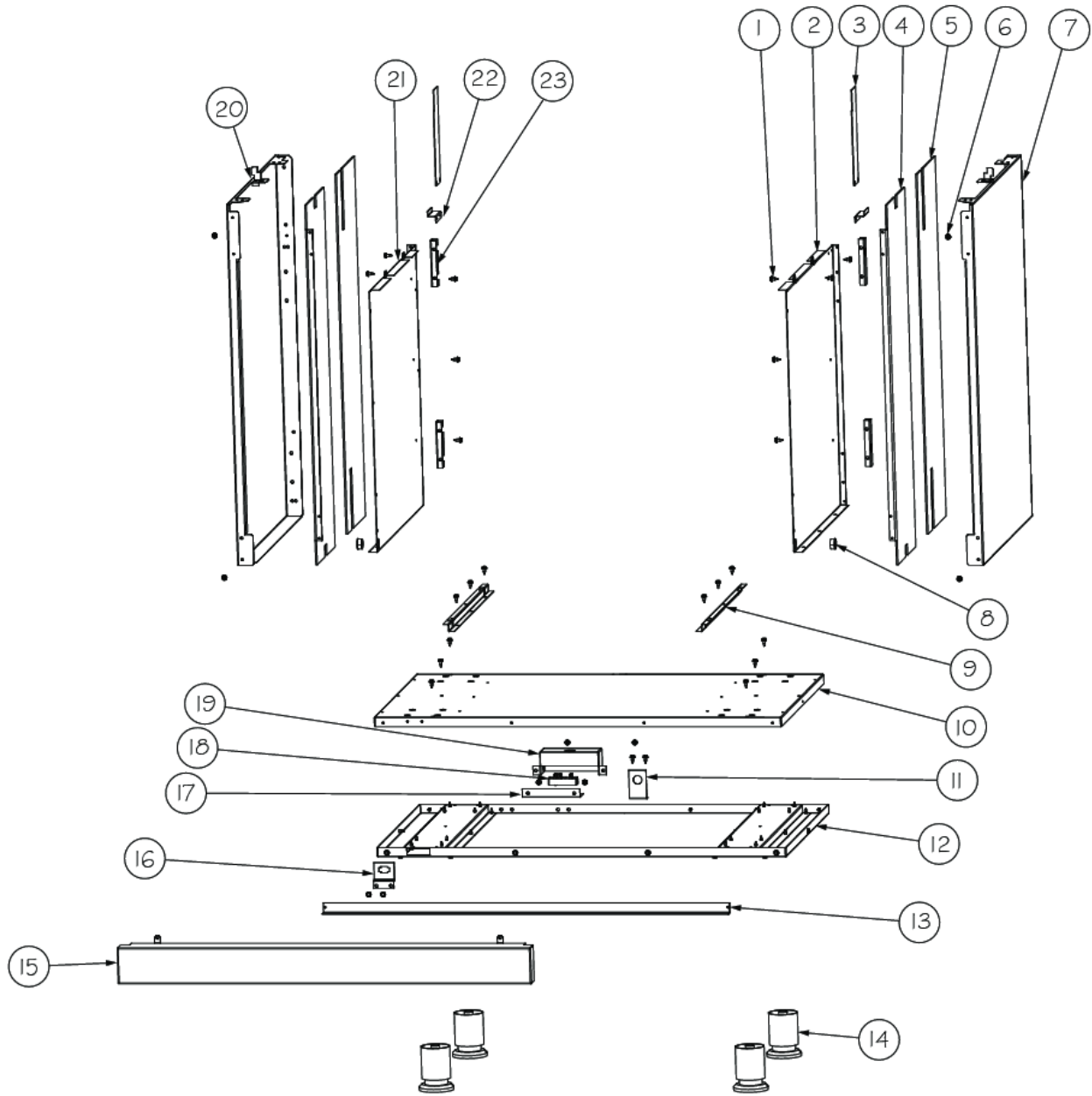
Item	Part No.	Name	Qty	Uom	NOTES
Not Shown	NOTE	(ON OR AFTER 04/05/13)		EA	
15	011522-003	VGCC/SC 536 KICKPLATE - BT	1	EA	Not available online / Call for pricing and availability
Not Shown	NOTE	(BEFORE 04/05/13)		EA	
15	042323-003	KICKPLATE 36" BT	1	EA	
Not Shown	NOTE	(ON OR AFTER 04/05/13)		EA	
15	011522-004	VGCC/SC 536 KICKPLATE - SG	1	EA	
Not Shown	NOTE	(BEFORE 04/05/13)		EA	
15	042323-004	KICKPLATE 36 SG	1	EA	Not available online / Call for pricing and availability
Not Shown	NOTE	(ON OR AFTER 04/05/13)		EA	
15	011522-005	VGCC/SC 536 KICKPLATE - GG	1	EA	
Not Shown	NOTE	(BEFORE 04/05/13)		EA	
15	042323-005	KICKPLATE, 36" DCBZ GG	1	EA	
Not Shown	NOTE	(ON OR AFTER 04/05/13)		EA	
15	011522-006	VGCC/SC 536 KICKPLATE - WH	1	EA	
Not Shown	NOTE	(BEFORE 04/05/13)		EA	
15	042323-006	KICKPLATE, 36" DCBZ WH	1	EA	
Not Shown	NOTE	(ON OR AFTER 04/05/13)		EA	
15	011522-008	VGCC/SC 536 KICKPLATE - BU	1	EA	
Not Shown	NOTE	(BEFORE 04/05/13)		EA	
15	042323-008	KICKPLATE, 36" DCBZ BU	1	EA	
Not Shown	NOTE	(ON OR AFTER 04/05/13)		EA	
15	011522-009	VGCC/SC 536 KICKPLATE - LE	1	EA	
Not Shown	NOTE	(BEFORE 04/05/13)		EA	
15	042323-009	KICKPLATE 36" LE	1	EA	



Item	Part No.	Name	Qty	Uom	NOTES
Not Shown	NOTE	(ON OR AFTER 04/05/13)		EA	
15	011522-010	VGCC/SC 536 KICKPLATE -MJ	1	EA	
Not Shown	NOTE	(BEFORE 04/05/13)		EA	
15	042323-010	KICKPLATE 36" MJ	1	EA	
Not Shown	NOTE	(ON OR AFTER 04/05/13)		EA	
15	011522-012	VGCC/SC 536 KICKPLATE - VB	1	EA	Not available online / Call for pricing and availability
Not Shown	NOTE	(BEFORE 04/05/13)		EA	
15	042323-012	KICKPLATE 36 VB	1	EA	Not available online / Call for pricing and availability
Not Shown	NOTE	(ON OR AFTER 04/05/13)		EA	
15	011522-013	VGCC/SC 536 KICKPLATE - CB	1	EA	
Not Shown	NOTE	(BEFORE 04/05/13)		EA	
15	042323-013	KICKPLATE, 36" DCBZ CB	1	EA	
Not Shown	NOTE	(ON OR AFTER 04/05/13)		EA	
15	011522-015	VGCC/SC 536 KICKPLATE - PL	1	EA	
Not Shown	NOTE	(BEFORE 04/05/13)		EA	
15	042323-015	KICKPLATE 36" PL	1	EA	
Not Shown	NOTE	(ON OR AFTER 04/05/13)		EA	
15	011522-016	VGCC/SC 536 KICKPLATE - CH	1	EA	
Not Shown	NOTE	(BEFORE 04/05/13)		EA	
15	042323-016	KICKPLATE 36" CH	1	EA	
Not Shown	NOTE	(ON OR AFTER 04/05/13)		EA	
15	011522-017	VGCC/SC 536 KICKPLATE - TP	1	EA	
Not Shown	NOTE	(BEFORE 04/05/13)		EA	
15	042323-017	KICKPLATE 36" TP	1	EA	

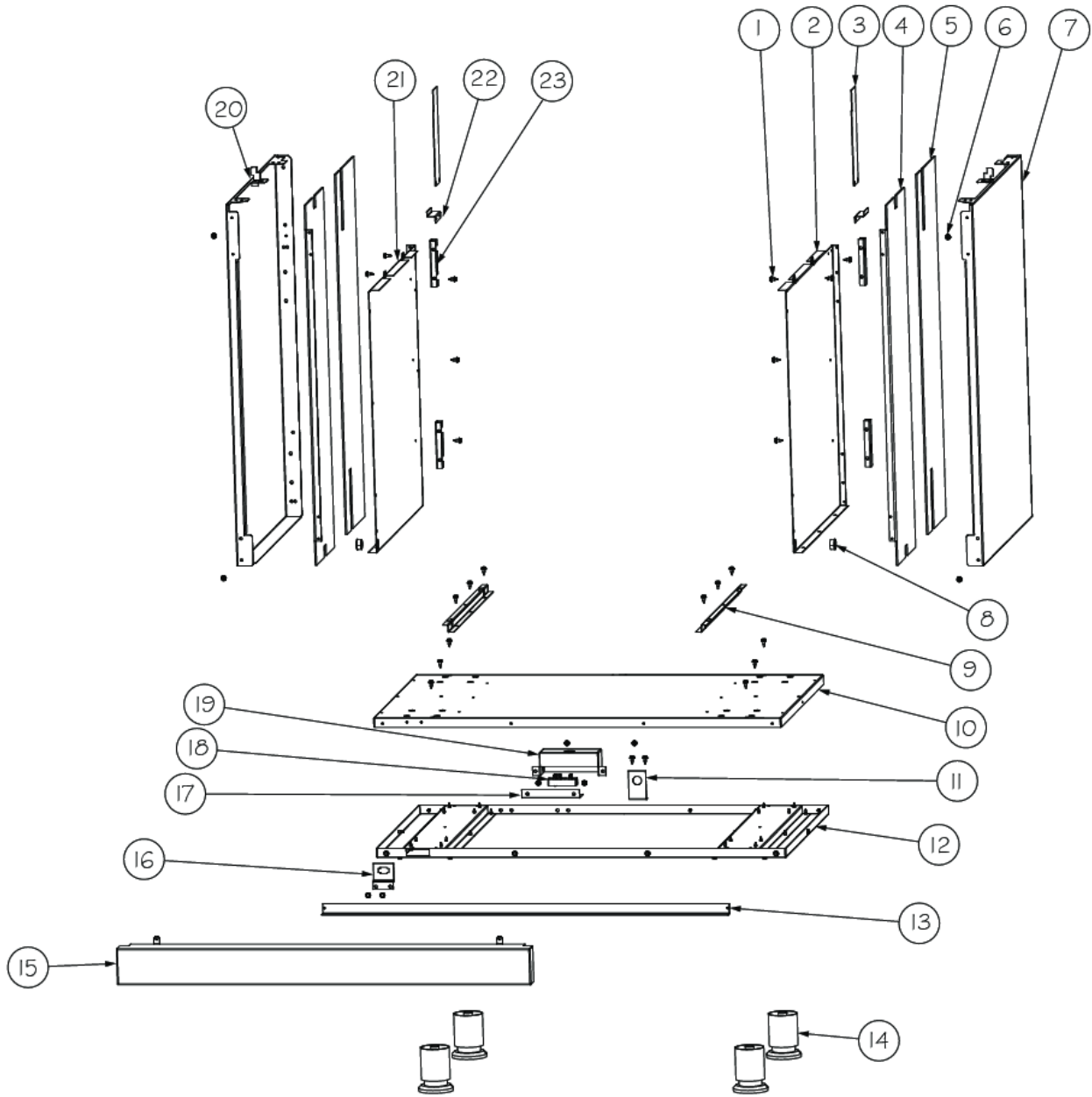


Item	Part No.	Name	Qty	Uom	NOTES
Not Shown	NOTE	(ON OR AFTER 04/05/13)		EA	
15	011522-018	VGCC/SC 536 KICKPLATE - CW NLA	1	EA	
Not Shown	NOTE	(BEFORE 04/05/13)		EA	
15	042323-018	KICKPLATE 36" CW	1	EA	
Not Shown	NOTE	(ON OR AFTER 04/05/13)		EA	
15	011522-019	VGCC/SC 536 KICKPLATE - OG	1	EA	
Not Shown	NOTE	(BEFORE 04/05/13)		EA	
15	042323-019	KICKPLATE 36" OG	1	EA	
Not Shown	NOTE	(ON OR AFTER 04/05/13)		EA	
15	011522-020	VGCC/SC 536 KICKPLATE - GM	1	EA	
Not Shown	NOTE	(BEFORE 04/05/13)		EA	
15	042323-020	KICKPLATE 36" GM	1	EA	
Not Shown	NOTE	(ON OR AFTER 04/05/13)		EA	
15	011522-021	VGCC/SC 536 KICKPLATE - SA	1	EA	
Not Shown	NOTE	(BEFORE 04/05/13)		EA	
15	042323-021	KICKPLATE 36" SA	1	EA	
Not Shown	NOTE	(ON OR AFTER 04/05/13)		EA	
15	011522-022	VGCC/SC 536 KICKPLATE - SE	1	EA	
Not Shown	NOTE	(BEFORE 04/05/13)		EA	
15	042323-022	KICKPLATE 36" SE	1	EA	
Not Shown	NOTE	(ON OR AFTER 04/05/13)		EA	
15	011522-023	VGCC/SC 536 KICKPLATE - IB	1	EA	
Not Shown	NOTE	(BEFORE 04/05/13)		EA	
15	042323-023	KICKPLATE 36" IB	1	EA	
Not Shown	NOTE	(ON OR AFTER 04/05/13)		EA	
15	011522-024	VGCC/SC 536 KICKPLATE - AR	1	EA	

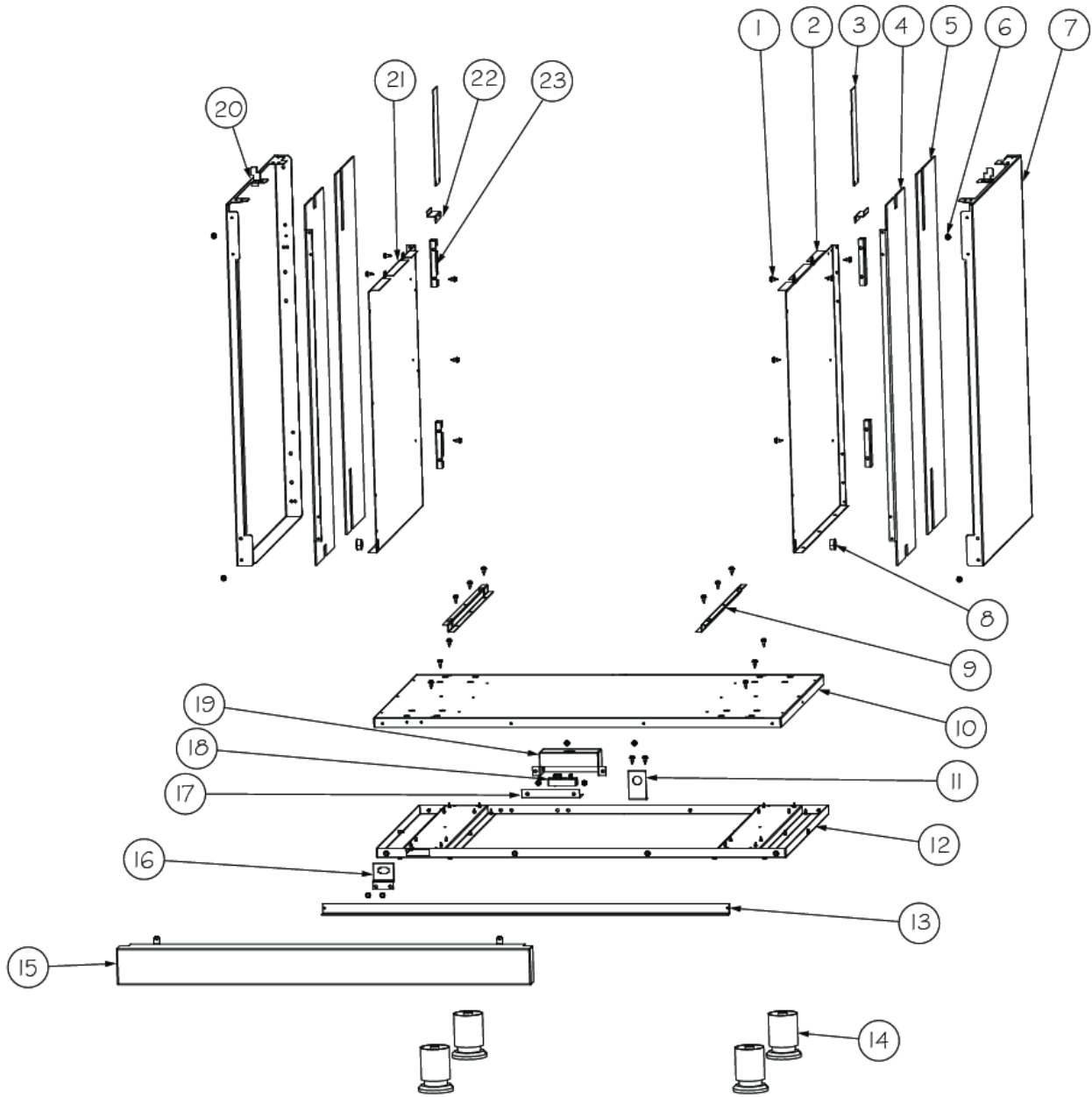




Item	Part No.	Name	Qty	Uom	NOTES
Not Shown	NOTE	(BEFORE 04/05/13)		EA	
15	042323-024	KICKPLATE, 36" DCBZ AR	1	EA	
Not Shown	NOTE	(ON OR AFTER 04/05/13)		EA	
15	011522-025	VGCC/SC 536 KICKPLATE - RR	1	EA	
Not Shown	NOTE	(BEFORE 04/05/13)		EA	
15	042323-025	KICKPLATE 36" RR	1	EA	
Not Shown	NOTE	(ON OR AFTER 04/05/13)		EA	
15	011522-026	VGCC/SC 536 KICKPLATE - PM	1	EA	
Not Shown	NOTE	(BEFORE 04/05/13)		EA	
15	042323-026	KICKPLATE 36" PM	1	EA	
Not Shown	NOTE	(ON OR AFTER 04/05/13)		EA	
15	011522-051	VGCC/SC 536 KICKPLATE-CN	1	EA	
Not Shown	NOTE	(BEFORE 04/05/13)		EA	
15	042323-051	KICKPLATE 36 CN	1	EA	Not available online / Call for pricing and availability
Not Shown	NOTE	(ON OR AFTER 04/05/13)		EA	
15	011522-052	VGCC/SC 536 KICKPLATE-DJ	1	EA	Not available online / Call for pricing and availability
Not Shown	NOTE	(BEFORE 04/05/13)		EA	
15	042323-052	KICKPLATE 36 DJ	1	EA	Not available online / Call for pricing and availability
Not Shown	NOTE	(ON OR AFTER 04/05/13)		EA	
15	011522-053	VGCC/SC 536 KICKPLATE-KB	1	EA	
Not Shown	NOTE	(BEFORE 04/05/13)		EA	
15	042323-053	KICKPLATE 36" KB	1	EA	



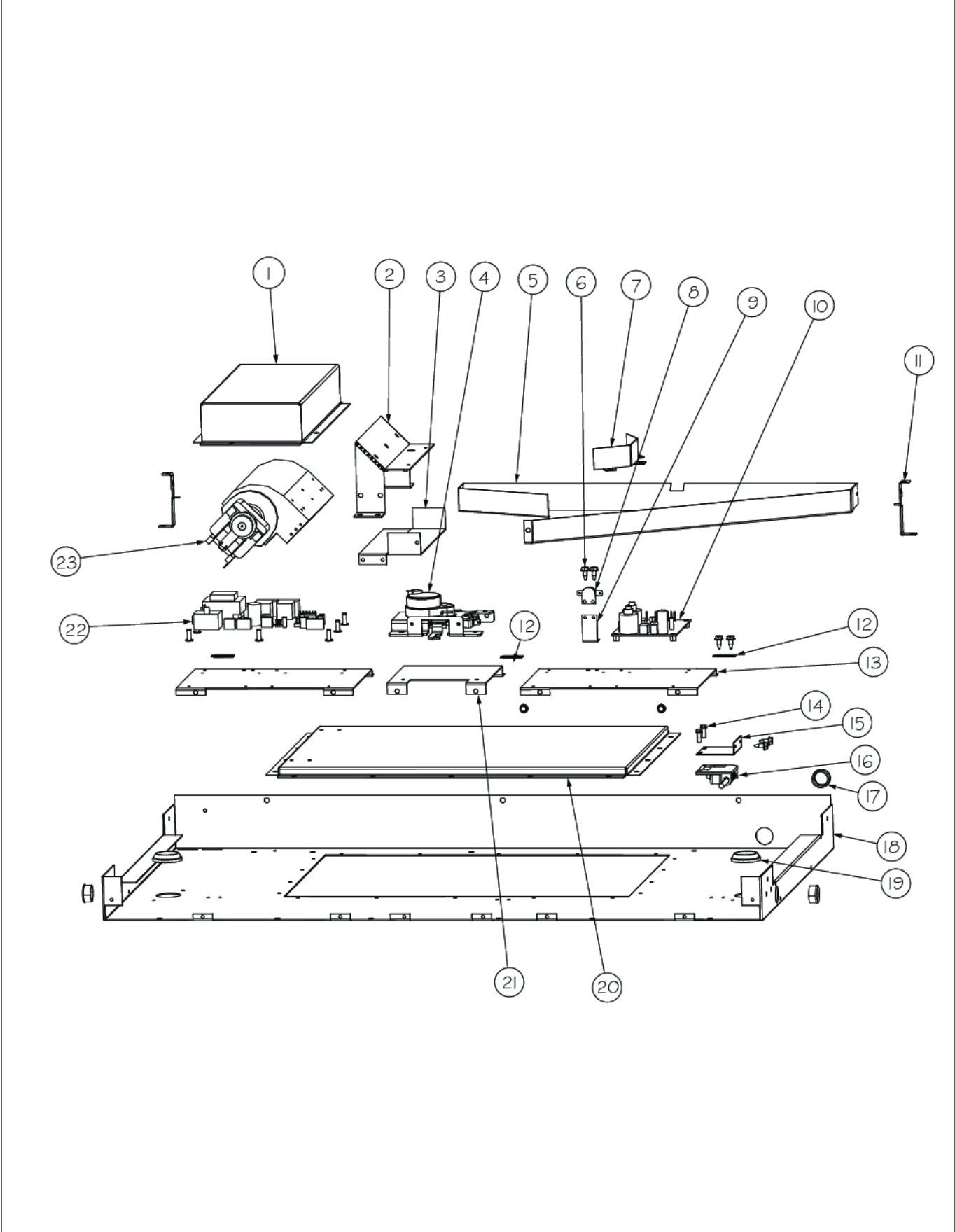
Item	Part No.	Name	Qty	Uom	NOTES
Not Shown	NOTE	(ON OR AFTER 04/05/13)		EA	
15	011522-054	VGCC/SC 536 KICKPLATE-WS	1	EA	
Not Shown	NOTE	(BEFORE 04/05/13)		EA	
15	042323-054	KICKPLATE 36 WS	1	EA	Not available online / Call for pricing and availability
Not Shown	NOTE	(ON OR AFTER 04/05/13)		EA	
16	005280-000	DISCONNECT BRKT	1	EA	
17	007484-000	TERMINAL, BLOCK, BRACKET	1	EA	
18	007400-000	BLOCK, TERMINAL	1	EA	
19	031961-000	COVER, TERM. BLOCK	1	EA	
20	003588-000	SIDE PANEL, LH	1	EA	
20	005505-002	SIDE PANEL, LH BK	1	EA	
20	005505-003	INSULATION, PNL, SIDE, LH - BT	1	EA	
20	005505-004	INSULATION, PNL, SIDE, LH - SG	1	EA	
20	005505-005	INSULATION, PNL, SIDE, LH - GG	1	EA	Not available online / Call for pricing and availability
20	005505-006	INSULATION, PNL, SIDE, LH - WH	1	EA	
20	005505-007	INSULATION, PNL, SIDE, LH - AL	1	EA	Not available online / Call for pricing and availability
20	005505-008	INSULATION, PNL, SIDE, LH - BU	1	EA	
20	005505-009	INSULATION, PNL, SIDE, LH - LE	1	EA	
20	005505-010	INSULATION, PNL, SIDE, LH - MJ	1	EA	
20	005505-011	INSULATION, PNL, SIDE, LH - FG	1	EA	Not available online / Call for pricing and availability
20	005505-012	INSULATION, PNL, SIDE, LH - VB	1	EA	



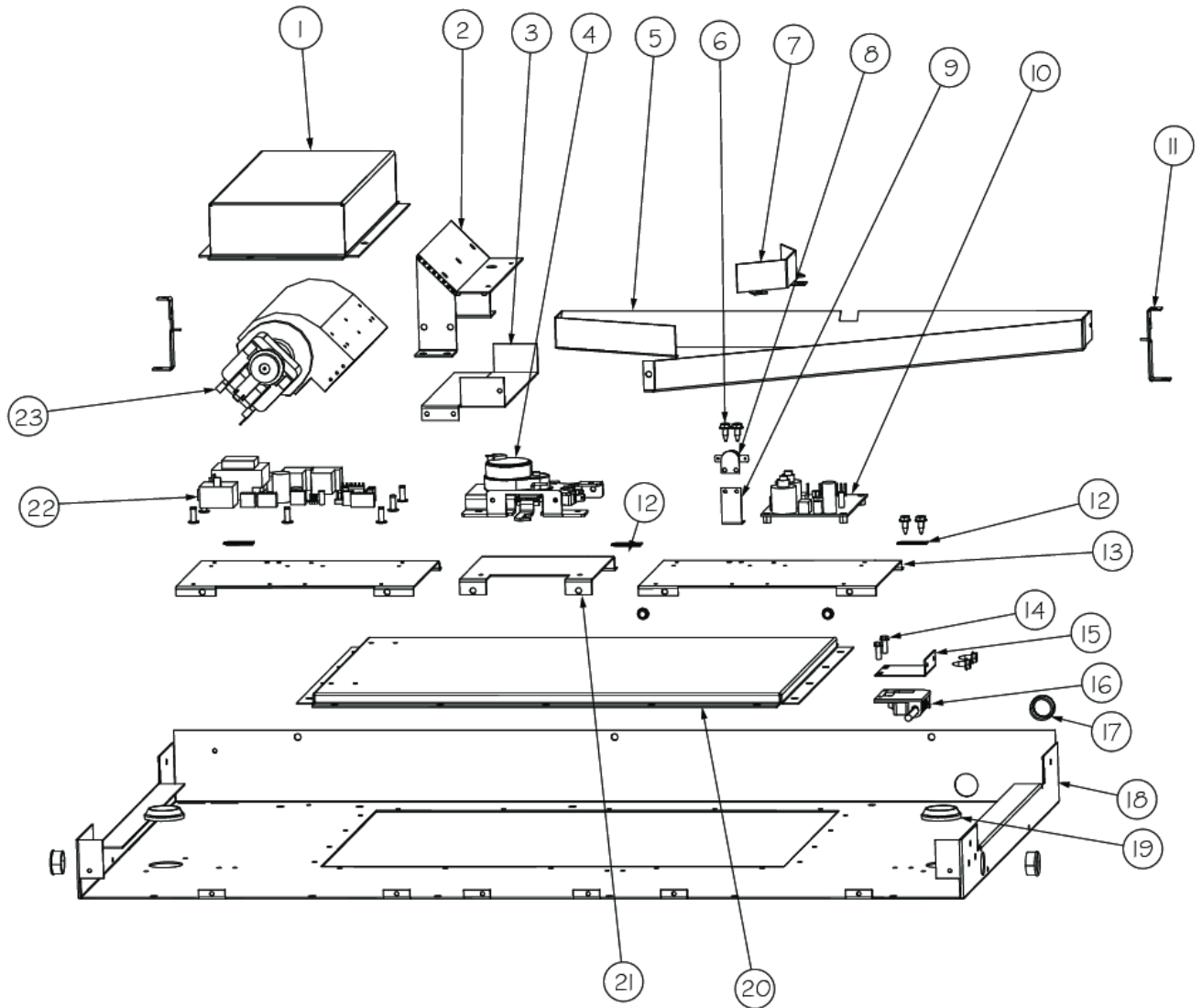


Item	Part No.	Name	Qty	Uom	NOTES
20	005505-013	INSULATION, PNL, SIDE, LH - CB	1	EA	
20	005505-014	INSULATION, PNL, SIDE, LH - EP	1	EA	Not available online / Call for pricing and availability
20	005505-015	INSULATION, PNL, SIDE, LH - PL	1	EA	
20	005505-016	INSULATION, PNL, SIDE, LH - CH	1	EA	
20	005505-017	INSULATION, PNL, SIDE, LH - TP	1	EA	
20	005505-018	INSULATION, PNL, SIDE, LH - CW - NLA	1	EA	
20	005505-019	INSULATION, PNL, SIDE, LH - OG	1	EA	
20	005505-020	INSULATION, PNL, SIDE, LH - GM	1	EA	
20	005505-021	INSULATION, PNL, SIDE, LH - SA	1	EA	
20	005505-022	INSULATION, PNL, SIDE, LH - SE	1	EA	
20	005505-023	INSULATION, PNL, SIDE, LH - IB	1	EA	
20	005505-024	INSULATION, PNL, SIDE, LH - AR	1	EA	
20	005505-025	SIDE PANEL LH - RR	1	EA	
20	005505-026	INSULATION, PNL, SIDE, LH - PM	1	EA	
20	005505-027	INSULATION, PNL, SIDE, LH - MS	1	EA	
21	004482-000	INSULATION, PNL, SIDE, LH	1	EA	
22	007485-000	TRAY, INSL	2	EA	
23	009404-000	STANDOFF	4	EA	Not available online / Call for pricing and availability

OVEN ELECTRONICS



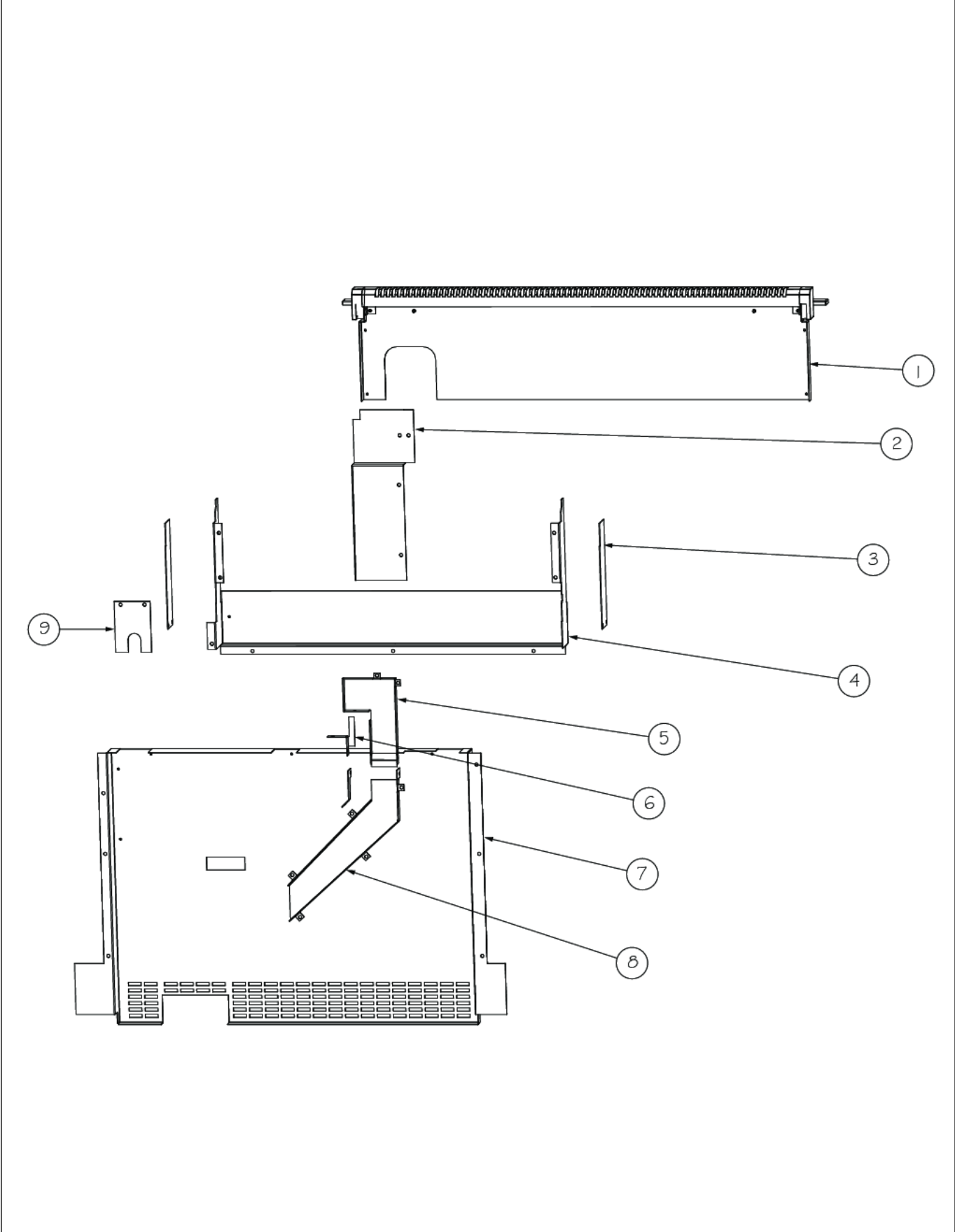
Item	Part No.	Name	Qty	Uom	NOTES
1	008747-000	FAN COVER	1	EA	
2	012568-000	BRACKET, FAN	1	EA	
3	012569-000	BRACKET, LOWER FAN	1	EA	
4	012565-000	LATCH,DOOR.ASM,120V, LOCKED POSITION	1	EA	
5	012567-000	DUCT, FAN, 36"	1	EA	
6	003860-000	10-18 x .500 FASTNR,SCR,HXWH,STL,ZPLT	8	EA	
7	009287-000	36" AIR DIVERter	1	EA	
8	PJ030039	BI-METAL THERMOSTAT 275 DEGREES	1	EA	
9	A20014089	DISC BRACKET	1	EA	
10	PA020056	NLA - See TC-0063D-SP for kit number (see comments)	1	EA	
Not Shown	NOTE	(BEFORE 12/29/10)		EA	
10	023651-000	DSI120-2-LVS	1	EA	
Not Shown	NOTE	(ON OR AFTER 12/29/10)		EA	
11	009288-000	36" FAN BRACKET	2	EA	
12	008012-000	BOARD CLIP	3	EA	
13	008011-000	36" ELECTRONIC PLATE	2	EA	
14	PD020060	10 X 1/2" (5/16)HEX WSHER HD.(T)A	2	EA	
15	A20012649	DOOR SWITCH BRACKET	1	EA	
16	PE050208	DOOR SWITCH	1	EA	
17	PD040005	SNAP BUSHING - 7/8"	3	EA	
18	024725-000	PANEL, TOP, OVEN, 36"	1	EA	
19	PB070079	SILICONE EXTRUSION (DGSU)	2	EA	
20	012570-000	COVER, TOP CAB	1	EA	
21	008634-000	LOCKING SWITCH PLATE	1	EA	
22	015981-000	CONTROL,BD,EOC2 GAS SELF CLEAN	1	EA	





Item	Part No.	Name	Qty	Uom	NOTES
Comments for Part Num. 015981-000					
gboltz@VikingRange.com on Sep 16, 2016 SEE TC-0043-SP BULLETIN BEFORE ORDERING					
Not Shown	NOTE	IF UNIT WAS BUILT PRIOR TO 7/6/2009 AN ADDITIONAL KIT MAY BE NEEDED, SEE TC-0043-SP BEFORE ORDERING		EA	
23	PE050250	Blower	1	EA	
Comments for Part Num. PE050250					
highendappsvc@gmail.com on Jan 28, 2019 If you need to replace cooling fan for the model vgsc5486gss serial date code 031412, do not order this fan, this fan is larger and configured wrong. The correct fan is 007794-000. it is smaller.					
NI	048196-000	TC-0091-SP VGSC536 FAN KIT	1	EA	
Not Shown	NOTE	(PRODUCED BETWEEN 2/8/2013 AND 092513C10110469)		EA	

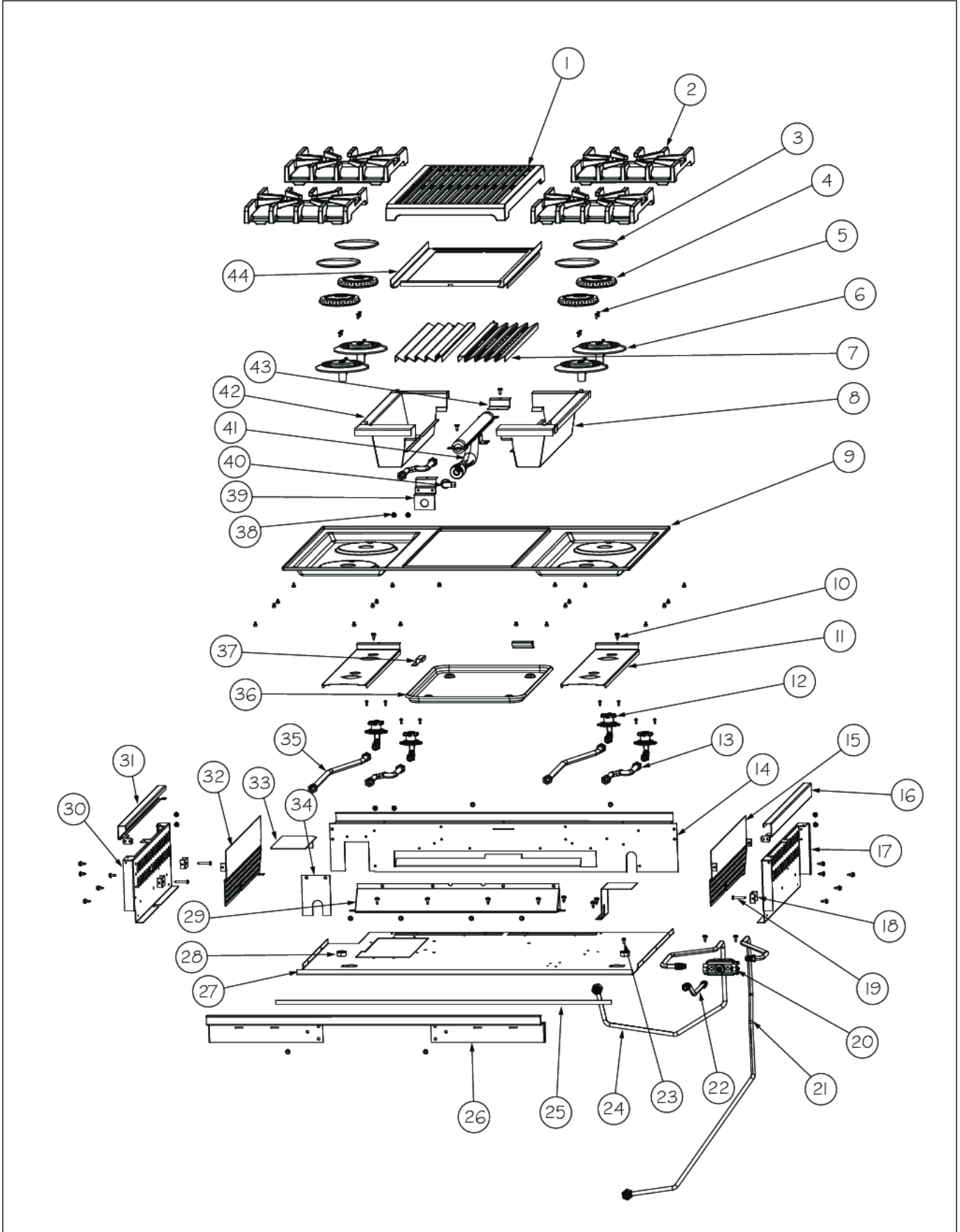
REAR SHEET METAL



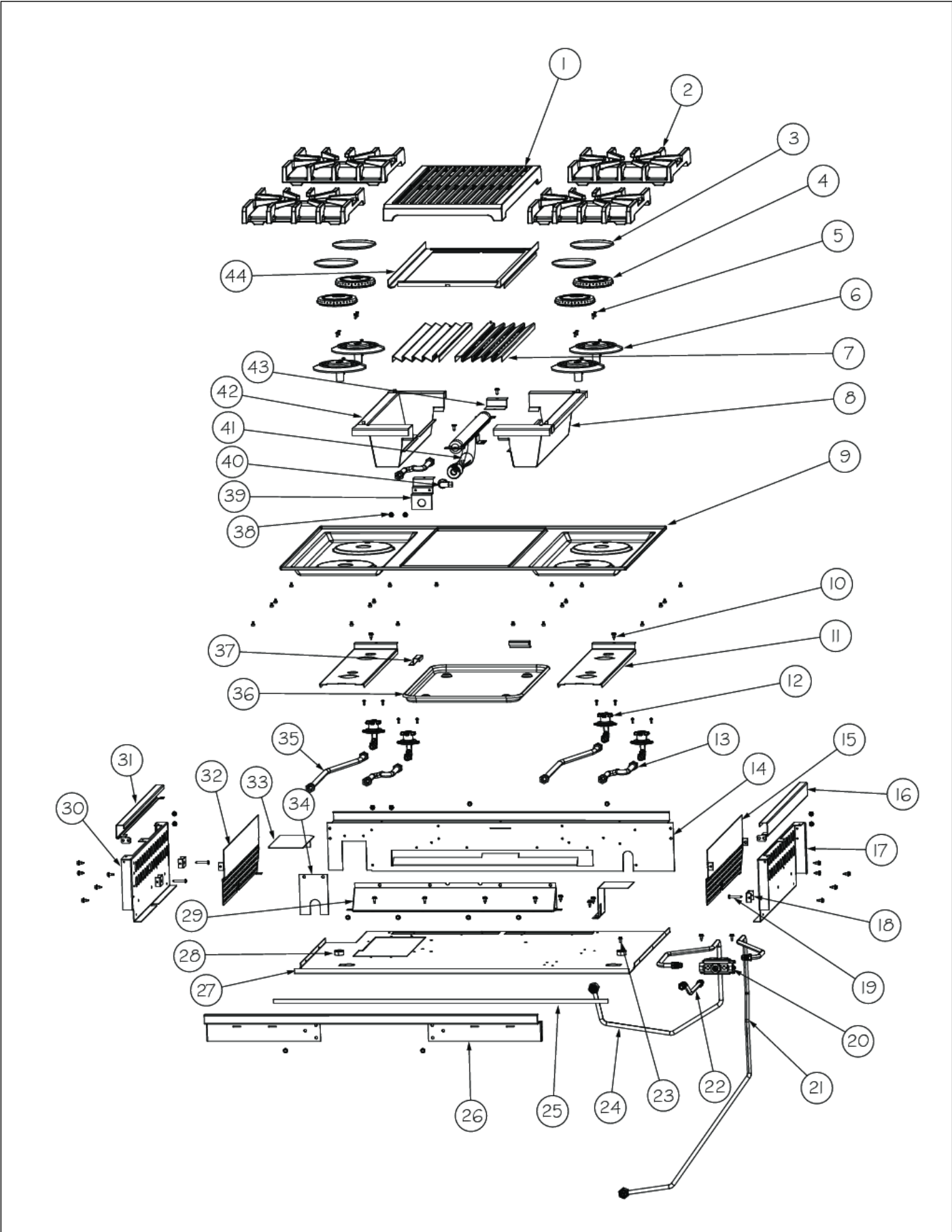


Item	Part No.	Name	Qty	Uom	NOTES
1	041505-000	ISLAND TRIM, ASM, 36" CUSTOM	1	EA	
2	006962-000	COVER, INL, BACK	1	EA	
3	007486-000	PLATE, INSL	2	EA	
4	024722-000	COVER, BACK, TOP, 36"	1	EA	
5	009548-000	DUCT, CONV FAN	1	EA	
6	009549-000	DUCT, CONV FAN SIDE	1	EA	Not available online / Call for pricing and availability
7	032131-000	PANEL, BACK 36"	1	EA	
8	009550-000	DUCT, CONV FAN LOWER	1	EA	
9	006687-000	REGULATOR COVER PLATE	1	EA	
NI	A2002654	ANTI-TIP DEVICE (VDSC)	1	EA	
NI	034927-000	BRACKET, ANTI-TIP	1	EA	
NI	034928-000	BRACKET, HOOK, ANTI-TIP	1	EA	

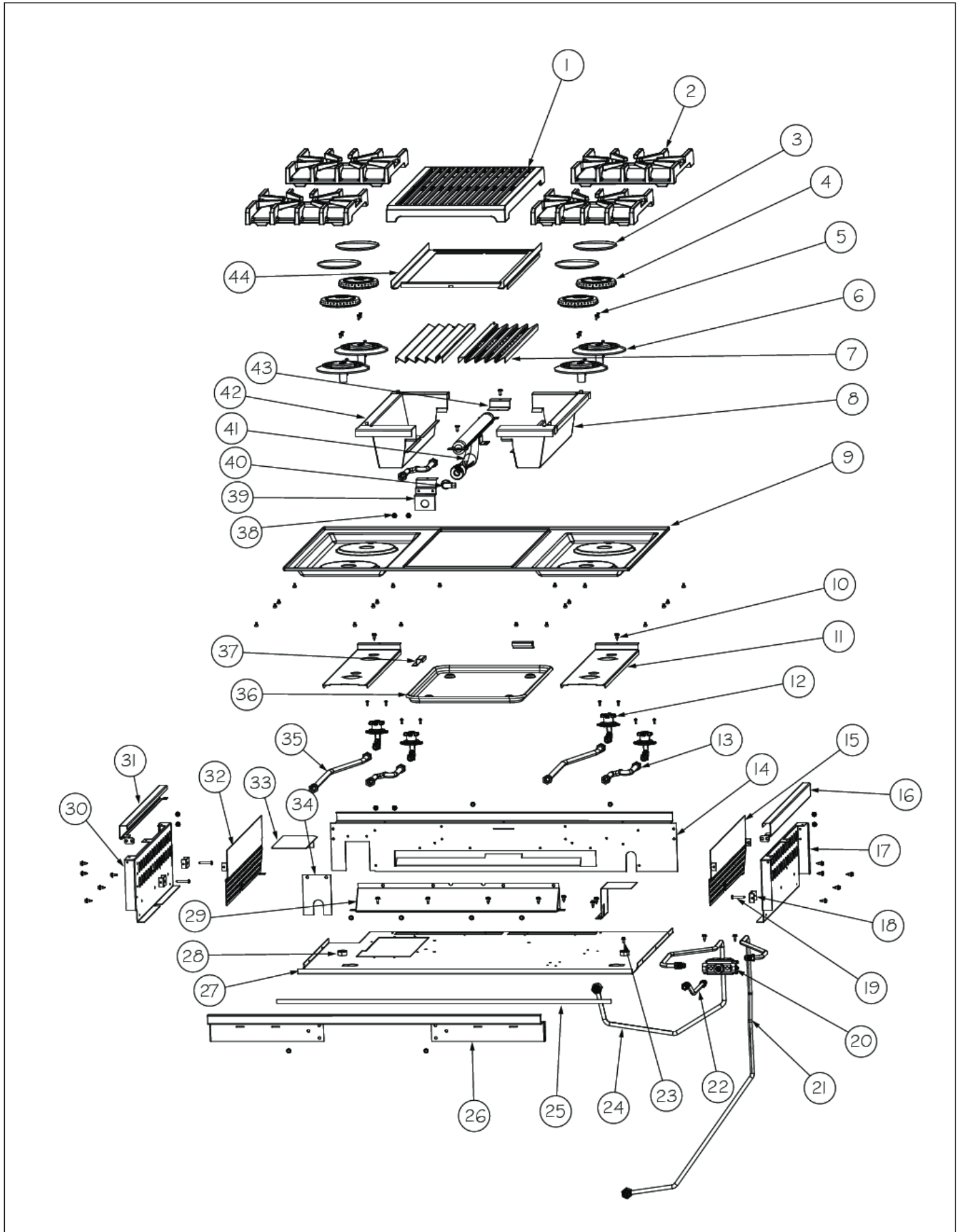
SURFACE COOKING AREA



Item	Part No.	Name	Qty	Uom	NOTES
1	010168-000	CUSTOM RANGE GRILL GRATE	1	EA	
2	007323-000	BURNER GRATE	4	EA	
Not Shown	NOTE	(BEFORE 11/21/14)		EA	
2	049420-000	GRATE, BURNER, ASM	4	EA	
Not Shown	NOTE	(ON OR AFTER 11/21/14)		EA	
3	PA080083	D BURNER CAP *MATTE BLACK*	4	EA	
4	018200-000	ADJUSTED SEALED BURNER HEAD	4	EA	
5	PD020076	6-32 X 3/8" PHILL PAN MS	16	EA	
6	003322-041	SEALED BURNER BASE, PAINTED FINISH- GRAY	4	EA	
NI	009197-000	#6-32 X 5/8 18-8 SS NC SOC CAP	2	EA	
Not Shown	NOTE	(USED ON ITEM #6)		EA	
7	E9101130BK	GRILL SMOKE GENERATOR	2	EA	
8	013593-000	PAN, DRIP, ASM, RIGHT	1	EA	
9	E9108438	MAIN TOP (VGRT4G/Q) XBKX	1	EA	Not available online / Call for pricing and availability
10	003860-000	10-18 x .500 FASTNR,SCR,HXWH,STL,ZPLT	35	EA	
11	002923-000	BURNER MODULE SUPPORT	2	EA	
12	001394-042	15000 BTU NAT JETHOLDER	4	EA	
12	001394-046	12.5 K BTU LP JETHOLDER	4	EA	
13	PB020192	10" FLEX TUBING W/CONNECTORS	3	EA	
14	008278-000	BURNER BOX BACK SUPPORT	1	EA	
15	010901-000	SHIELD, HEAT, GRIDDLE	1	EA	
16	002920-000	TOP TRIM RING, RH	1	EA	
17	011077-000	SHIELD, HEAT, GRIDDLE, RH	1	EA	
18	A2001361	BACK SPACER (VGSC/VGSS)	3	EA	
19	PD020079	#10 X 1 1/4 PH. PAN HD. T(A) NYLOK	3	EA	
20	009112-000	VALVE, SOL, DOUBLE	1	EA	



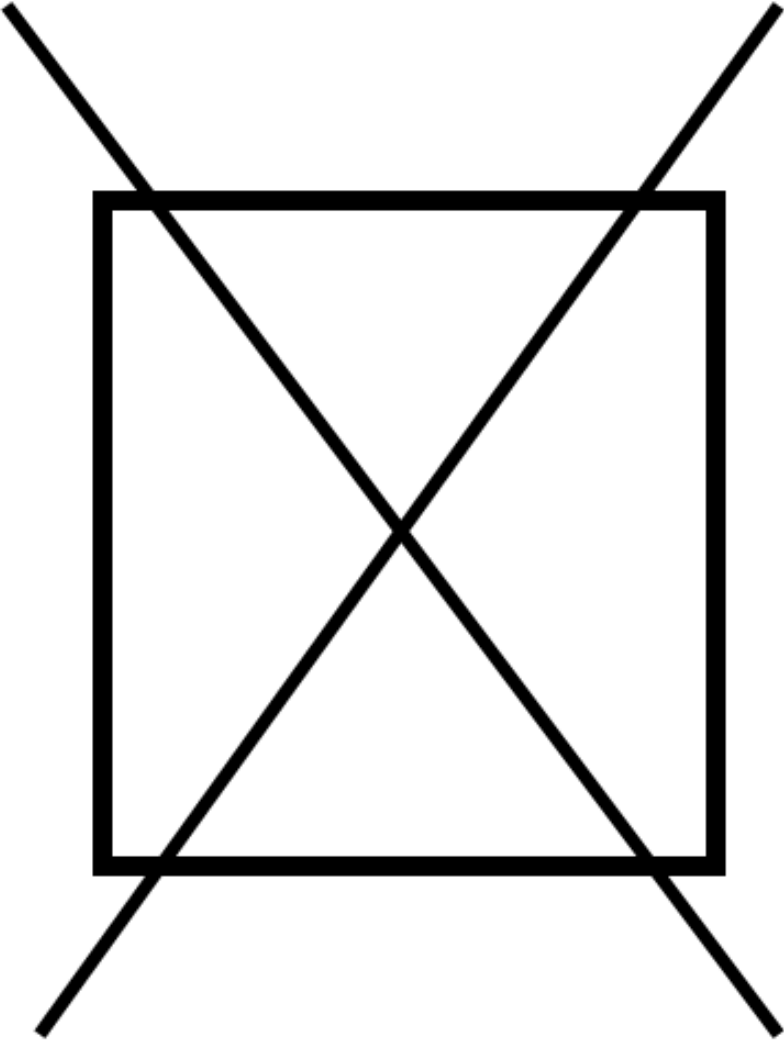
Item	Part No.	Name	Qty	Uom	NOTES
21	009053-000	BAKE TUBING, 36"	1	EA	
21	012654-000	TUBING, BAKE, 36" ASSY (LP)	1	EA	
22	011035-000	OVEN TUBING ASM	1	EA	
23	PD020010	10 X 3/8 GREEN GROUNDING SCREW	1	EA	
24	009055-000	BROIL TUBING, 36"	1	EA	
25	PB070058	Cooktop Gasket	1	EA	
26	008279-000	BURNER BOX FRONT SUPPORT	1	EA	
NI	051432-000	VGSC536-6B / 4Q TROUGH KIT	1	EA	
Not Shown	NOTE	(FOR UNITS MANUFACTURED PRIOR TO SERIAL # 061114C10138291)		EA	
27	004579-000	TOP DIVIDER, 36"	1	EA	
28	PD040005	SNAP BUSHING - 7/8"	1	EA	
29	008283-000	BACK VENT, 36"	1	EA	
30	011078-000	PANEL, RNG, GRIDDLE, LF	1	EA	
31	003649-000	TOP TRIM RING, LH	1	EA	
32	010902-000	SHIELD, HEAT, GRIDDLE	1	EA	
33	004016-000	PLATE,SVCE,RGLT	1	EA	
34	006687-000	REGULATOR COVER PLATE	1	EA	
35	PB020193	16" FLEX TUBING W/CONNECTORS	1	EA	
36	J2101749	GREASE PAN	1	EA	
37	008286-000	BRACKET,DRIP,PAN,CUSTOM, Q-MODELS	2	EA	
38	PD020046	' #8 X 1/2 SCREWS	4	EA	
39	007776-000	MOUNT, GRILL, BURNER, FRONT	1	EA	
40	PB040238	90 DEGREE ORIFICE FITTING, NAT #47	1	EA	
40	001983-000	90 DEGREE ORIFICE FITTING, LP #56	1	EA	
41	007878-000	BURNER, GRIL, ASM	1	EA	
42	013595-000	PAN, DRIP, ASM, LEFT	1	EA	
43	008636-000	BRACKET, BURNER, GRILL, REAR	1	EA	





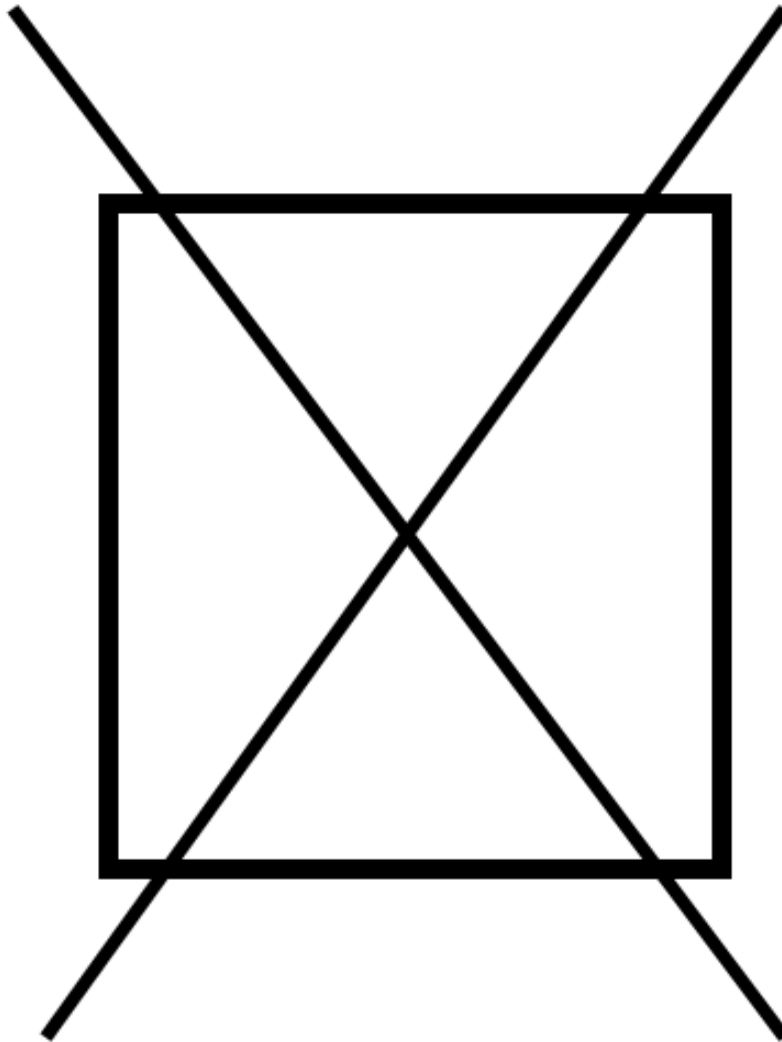
Item	Part No.	Name	Qty	Uom	NOTES
44	012897-000	PLATE, SMK, GENERATOR, ASM	1	EA	NO LONGER AVAILABLE

NON ILLUSTRATED PART



Item	Part No.	Name	Qty	Uom	NOTES
NI	PE070890	IRIS HARNESS - 36"	1	EA	
Not Shown	NOTE	(BEFORE 12/29/10)		EA	
NI	023340-000	IRIS HARNESS, 36"	1	EA	
Not Shown	NOTE	(ON OR AFTER 12/29/10)		EA	
NI	007298-000	BAKE IGNITOR WIRE, ASM	1	EA	
Not Shown	NOTE	(BEFORE 12/29/10)		EA	
NI	024606-000	WIRE, BAKE, ELECTRODE, ASM	1	EA	
Not Shown	NOTE	(ON OR AFTER 12/29/10)		EA	
NI	000647-000	IRIS IGNITOR WIRE, FRONT BURNER	2	EA	
NI	006766-000	IRIS IGNITOR WIRE, BACK BURNER	3	EA	
NI	008373-000	WIRE HARNESS, VGSC536-6B	1	EA	
NI	014401-000	WIRE HARNESS, VGSC536-6B	1	EA	
Not Shown	NOTE	(BEFORE 12/29/10)		EA	
NI	026058-000	HARNESS, WIRE, VGSC536-6B	1	EA	
Not Shown	NOTE	(ON OR AFTER 12/29/10)		EA	
NI	011096-000	WIRE HARN POWER DISCONCT, VGSC536	1	EA	Not available online / Call for pricing and availability
Not Shown	NOTE	(NO LONGER USED ON THIS MODEL)		EA	
NI	G4008493	SUPPLY CORD ASSY- VGSU	1	EA	
NI	006765-000	BROIL IGNITOR WIRE ASM	1	EA	
Not Shown	NOTE	(BEFORE 12/29/10)		EA	
NI	024605-000	WIRE, BRL, ELECTRODE, ASM	1	EA	
Not Shown	NOTE	(ON OR AFTER 12/29/10)		EA	
NI	004133-000	CONTROL PANEL HARNESS	1	EA	
NI	PE070796	HARN, HEADER, MODEL 4 (SEE MODEL_HEADER) - NLA	1	EA	

NON ILLUSTRATED PART





Item	Part No.	Name	Qty	Uom	NOTES
NI	G4001656	SPARK MODULE GROUND WIRE	1	EA	
NI	024699-000	RTD JUMPER HARNESS	1	EA	
NI	033295-000	VGSC536 POWER DISCONNECT KIT	1	EA	
Not Shown	NOTE	(060710C00022888 THRU 062711C00026156)		EA	



Appendix A:Pages Index

CAVITY INTERIOR 1
CONTROL AREA 2
DOOR ASSEMBLY 3
LOWER UNIT AND SIDE PANELS 4
OVEN ELECTRONICS 5
REAR SHEET METAL 6
SURFACE COOKING AREA 7
WIRING 8



Appendix B:Parts Index

000090-000	3	004645-018	4
000594-000	3	004645-019	4
000647-000	8	004645-020	4
001394-042	7	004645-021	4
001394-046	7	004645-022	4
001983-000	7	004645-023	4
002238-000	4	004645-024	4
002905-000	4, 4	004645-025	4
002920-000	7	004645-026	4
002923-000	7	004645-027	4
003011-000	3	005259-000	1
003011-100	3	005263-000	1
003012-000	3	005264-000	1
003012-100	3	005269-000	2
003322-041	7	005270-000	2
003588-000	4	005280-000	4
003649-000	7	005311-000	1
003801-000	4	005505-002	4
003860-000	1, 4, 5, 7	005505-003	4
004016-000	7	005505-004	4
004133-000	8	005505-005	4
004479-000	4	005505-006	4
004482-000	4	005505-007	4
004579-000	7	005505-008	4
004645-002	4	005505-009	4
004645-003	4	005505-010	4
004645-004	4	005505-011	4
004645-005	4	005505-012	4
004645-006	4	005505-013	4
004645-007	4	005505-014	4
004645-008	4	005505-015	4
004645-009	4	005505-016	4
004645-010	4	005505-017	4
004645-011	4	005505-018	4
004645-012	4	005505-019	4
004645-013	4	005505-020	4
004645-014	4	005505-021	4
004645-015	4	005505-022	4
004645-016	4	005505-023	4
004645-017	4	005505-024	4
		005505-025	4



005505-026	4	008283-000	7
005505-027	4	008286-000	7
005529-000	4	008345-000	4
005536-000	1	008373-000	8
006050-000	1	008415-000	2
006080-000	3	008634-000	5
006192-000	1	008636-000	7
006313-000	2	008747-000	5
006355-000	2	009053-000	7
006574-000	2	009055-000	7
006687-000	6, 7	009112-000	7
006765-000	8	009197-000	7
006766-000	8	009287-000	5
006962-000	6	009288-000	5
007008-000	1	009404-000	4
007147-000	2	009548-000	6
007259-000	1	009549-000	6
007278-000	1	009550-000	6
007298-000	8	010168-000	7
007323-000	7	010901-000	7
007400-000	4	010902-000	7
007484-000	4	011035-000	7
007485-000	4	011077-000	7
007486-000	4, 6	011078-000	7
007488-000	4	011096-000	8
007583-000	3	011522-002	4
007776-000	7	011522-003	4
007817-000	4	011522-004	4
007841-000	1	011522-005	4
007844-000	1	011522-006	4
007851-000	4	011522-008	4
007854-000	3	011522-009	4
007878-000	7	011522-010	4
007883-000	3	011522-012	4
008011-000	5	011522-013	4
008012-000	5	011522-015	4
008154-000	3	011522-016	4
008185-000	3	011522-017	4
008191-000	1	011522-018	4
008278-000	7	011522-019	4
008279-000	7	011522-020	4



011522-021	4	012568-000	5
011522-022	4	012569-000	5
011522-023	4	012570-000	5
011522-024	4	012654-000	7
011522-025	4	012897-000	7
011522-026	4	013290-000	3
011522-051	4	013386-000	2
011522-052	4	013593-000	7
011522-053	4	013595-000	7
011522-054	4	014401-000	8
011524-002	3	015043-000	2
011524-003	3	015981-000	5
011524-004	3	018200-000	7
011524-005	3	020215-000	3
011524-006	3	020409-000	1
011524-007	3	020604-000	4
011524-008	3	020693-002	3
011524-009	3	020693-003	3
011524-010	3	020693-004	3
011524-011	3	020693-005	3
011524-012	3	020693-006	3
011524-013	3	020693-008	3
011524-014	3	020693-009	3
011524-015	3	020693-010	3
011524-016	3	020693-012	3
011524-017	3	020693-013	3
011524-018	3	020693-015	3
011524-019	3	020693-016	3
011524-020	3	020693-017	3
011524-021	3	020693-018	3
011524-022	3	020693-019	3
011524-023	3	020693-020	3
011524-024	3	020693-021	3
011524-025	3	020693-022	3
011524-026	3	020693-023	3
011524-027	3	020693-024	3
011637-000	2	020693-025	3
012265-000	2	020693-026	3
012444-000	2, 2	020693-027	3
012565-000	5	020693-051	3
012567-000	5	020693-052	3



020693-053	3	042323-015	4
020693-054	3	042323-016	4
021225-402	1	042323-017	4
021225-403	1	042323-018	4
023090-000	1	042323-019	4
023340-000	8	042323-020	4
023651-000	5	042323-021	4
024604-000	3	042323-022	4
024605-000	8	042323-023	4
024606-000	8	042323-024	4
024699-000	8	042323-025	4
024722-000	6	042323-026	4
024725-000	5	042323-051	4
026058-000	8	042323-052	4
030823-000	3	042323-053	4
031679-000	1	042323-054	4
031961-000	4	044178-000	4
032131-000	6	048196-000	5
033295-000	8	049420-000	7
034927-000	6	049718-402	1
034928-000	6	050172-000	2
035881-000	2	051432-000	7
035885-000	2	068458-000	1
035887-000	2	A1002596	1
035893-000	2	A20012649	5
035958-000	4	A2001361	1, 7
040349-000	1	A20014089	5
040736-000	4	A2002189	3
040865-000	1	A2002595	1
041505-000	6	A2002654	6
042287-000	4	A2004428	1
042323-002	4	A2004429	4
042323-003	4	A2005525	1
042323-004	4	A2008467	1
042323-005	4	B2005589	1
042323-006	4	E2004433	1
042323-008	4	E2004435	1
042323-009	4	E21012644	1
042323-010	4	E2109638	1
042323-012	4	E30014476	1
042323-013	4	E9101130BK	7



E9108438	7	PE060064	3
G3001876	1	PE070796	8
G4001656	8	PE070890	8
G4008493	8	PJ030035	2, 2
J2101749	7	PJ030039	5
PA020056	5	PR020084	1
PA020058	2		
PA070003	2		
PA080083	7		
PB020192	7		
PB020193	7		
PB040170	1		
PB040171	1		
PB040238	7		
PB060030	1		
PB060045	1		
PB070058	7		
PB070079	5		
PB070208	1		
PD010003	3		
PD020010	7		
PD020014	3		
PD020032	2		
PD020033	3		
PD020046	7		
PD020060	1, 5		
PD020063	3		
PD020067	1		
PD020076	7		
PD020079	7		
PD020232	1		
PD040004	2		
PD040005	4, 5, 7		
PE010030	3		
PE010068	3		
PE050023	2		
PE050024	2		
PE050057	1		
PE050208	5		
PE050250	5		
PE060039	3		