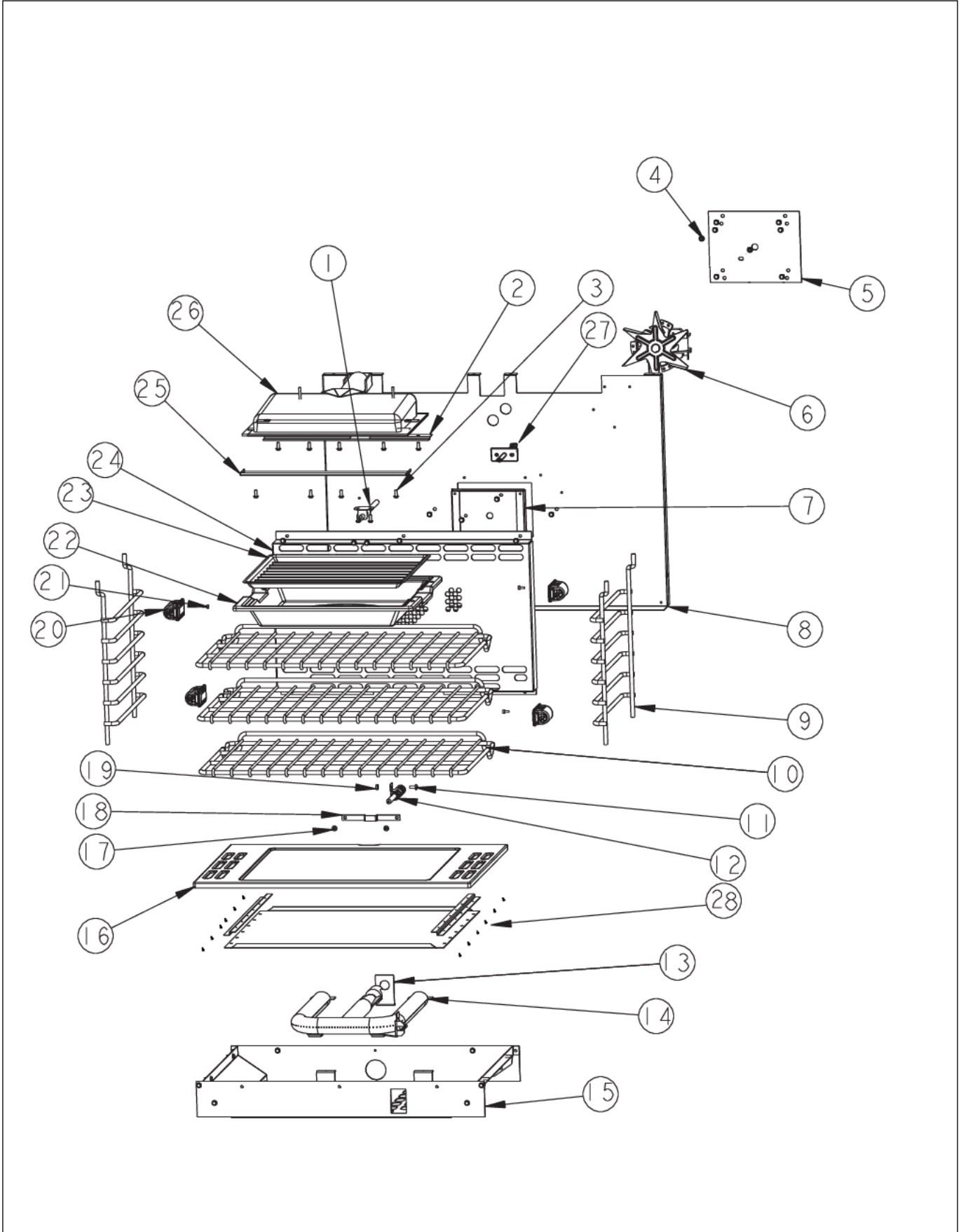


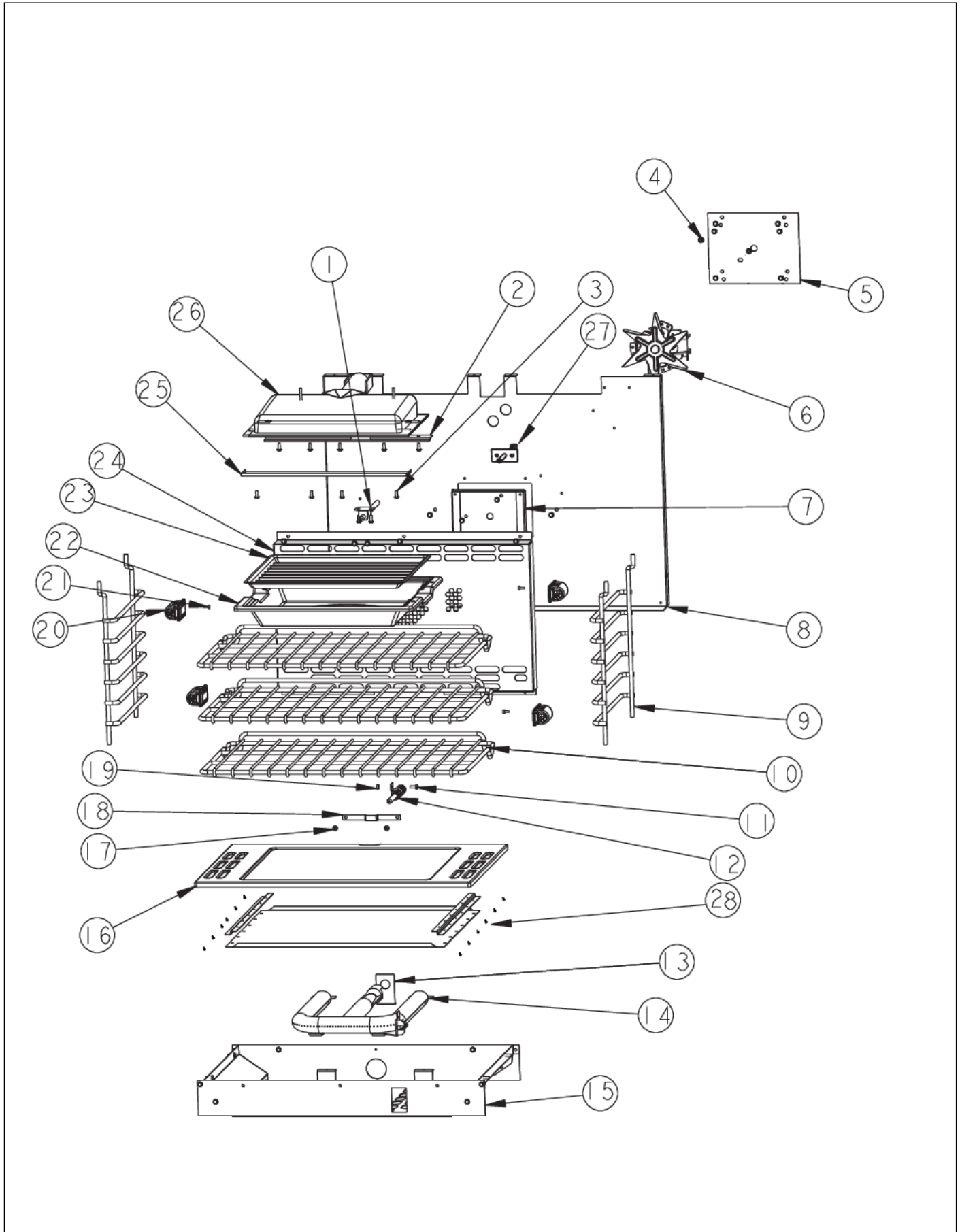
VGSC5304B

CAVITY INTERIOR	1
CONTROL AREA	2
DOOR ASSEMBLY	3
LOWER UNIT AND SIDE PANELS	4
OVEN ELECTRONICS	5
REAR SHEET METAL	6
SURFACE COOKING AREA	7
WIRING	8
Appendix A:Pages Index	A
Appendix B:Parts Index	B

CAVITY INTERIOR

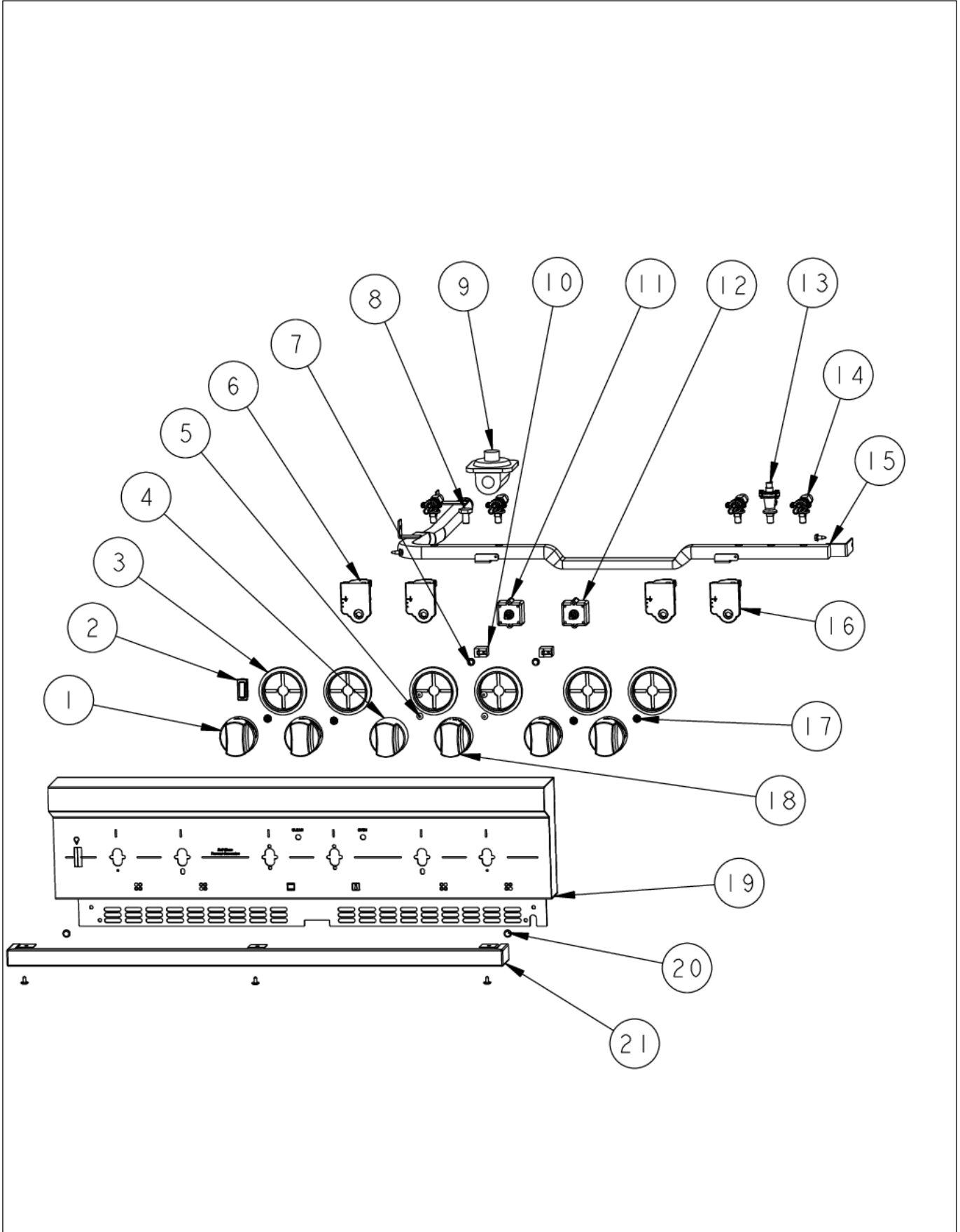


Item	Part No.	Name	Qty	Uom	NOTES
1	PB040171	BROIL IGNITION ELECTRODE	1	EA	
2	B2005589	REAR BROILER BRACKET	1	EA	Not available online / Call for pricing and availability
3	PD020048	NO.10 X 1/2 TEK 410 SS SCREW	25	EA	
4	003860-000	10-18 x .500 FASTNR,SCR,HXWH,STL,ZPLT	9	EA	
5	A1002596	CONVECTION FAN COVER (VDSC)	1	EA	
6	PE050057	CONVECTION FAN (VGSC306)	1	EA	
Not Shown	NOTE	(BEFORE 8/31/11)		EA	
6	023090-000	MOTOR, CONV ASM	1	EA	
Not Shown	NOTE	(ON OR AFTER 8/31/11)		EA	
7	A2002595	CONVECTION FAN BOX (VDSC)	1	EA	
8	020404-000	FLAT PANEL	1	EA	
9	PB060030	RACK SUPT REPL PB060010	2	EA	
10	PB060044	OVEN RK VDSC30/48RH REPL PB060019	3	EA	
Not Shown	NOTE	(BEFORE 12/20/12)		EA	
10	040863-000	RACK, PRO, 30"	1	EA	
Not Shown	NOTE	(ON OR AFTER 12/20/12)		EA	
NI	040345-000	RACK, GLDE, 30", PRO ASSY	2	EA	
Not Shown	NOTE	(ON OR AFTER 12/20/12)		EA	
11	PD010003	10-24 X 1/2 PH.TR.HD.SERD.M.S.	1	EA	
12	PB040170	BAKE IGNITION ELECTRODE	1	EA	
13	005529-000	BAKE ORIFICE MOUNTING BRACKET	1	EA	
Not Shown	NOTE	(BEFORE 2/11/13)		EA	
13	040736-000	BRKT, ORF	1	EA	
Not Shown	NOTE	(ON OR AFTER 2/11/13)		EA	
14	005329-000	BURNER, OVEN, ASM	1	EA	



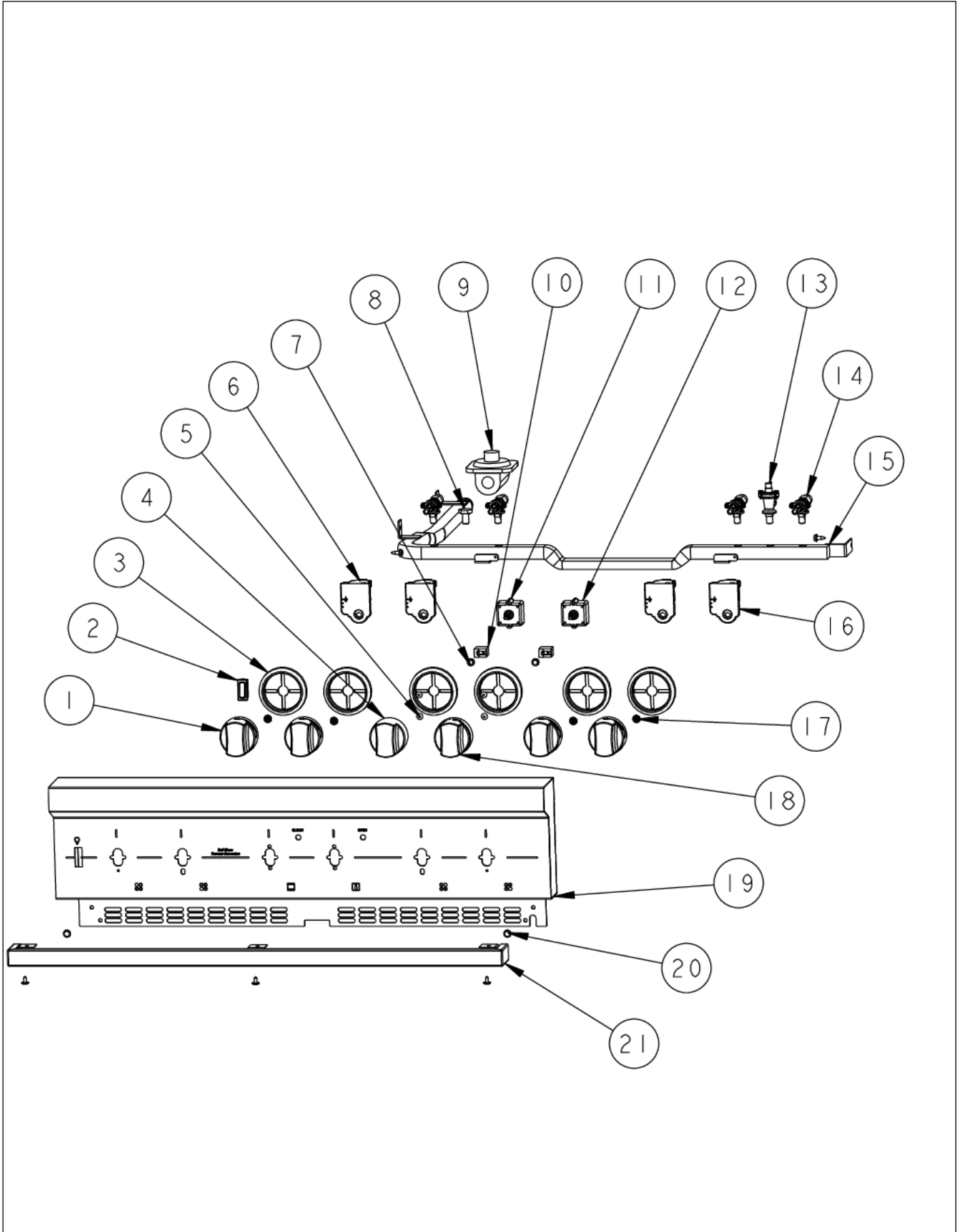
Item	Part No.	Name	Qty	Uom	NOTES
15	005102-000	BURNER PAN ASSEMBLY	1	EA	
16	068456-000	ASM, BOTTOM, CAVITY, OVEN, GAS, 30", GRAY	1	EA	
Not Shown	NOTE	(INCLUDES HEAT SHIELD)		EA	
17	M0210443	SCREW-E SM VM0210443	2	EA	
18	A2004428	REAR BOTTOM BRCKT (VGSC306)	1	EA	
19	PD030010	#10-24 KEPS NUT ZINC PLATED	1	EA	
20	005311-000	LAMP, OVEN, 120V/25W	4	EA	
21	PD020067	' #6 X 3/8" PAN PHIL. TEK *SS*	4	EA	
22	E9107933	BROILER PAN	1	EA	
23	E9107934	BROILER PAN INSERT - NLA	1	EA	
24	G9104482	CONVECTION FAN COVER ASSY (VGSC306)	1	EA	
25	020409-000	BRACKET, SPRT, FR, I/R BROILER	1	EA	
26	G3001876	IR BURNER ASSY (VGSC/RC) N/S	1	EA	
NI	A2004439	OVEN BOTTOM SHIELD (VGSC306)	1	EA	
27	007008-000	RTD PROBE	1	EA	
NI	031679-000	RECEPTACLE, HINGE	2	EA	
28	008026-000	SCREW, TEK, #6-20 x 3/8, S.S.	12	EA	
NI	007278-000	ARM HINGE CLIP	2	EA	
Not Shown	NOTE	(BEFORE 01/02/13)		EA	
NI	049718-402	CLIP, RETAINER, HINGE, GLOSS BLACK ENAMEL	2	EA	
Not Shown	NOTE	(AFTER 01/02/13)		EA	

CONTROL AREA





Item	Part No.	Name	Qty	Uom	NOTES
1	005269-000	RANGE TOP BURNER KNOB-BRUSHED, SSS	4	EA	
Not Shown	NOTE	BEFORE 12/20/12		EA	
1	035881-000	KNOB, BNR, TOP PRO CR3	4	EA	
Not Shown	NOTE	AFTER 12/20/12		EA	
2	003719-000	OVEN LIGHT SWITCH, BLACK	1	EA	
3	050172-000	BEZEL, KNOB	6	EA	
4	008415-000	KNOB, SEL, #3 SSS, ASM, VGSC	1	EA	
Not Shown	NOTE	BEFORE 12/20/12		EA	
4	035887-000	KNOB,OVN,SEL, PRO VGSC CR3	1	EA	
Not Shown	NOTE	AFTER 12/20/12		EA	
5	PD120044	PROTECTIVE FILM (8071049)	4	EA	NO LONGER AVAILABLE
6	PA020058	IRIS SINGLE SPARK MODULE	3	EA	
7	PE050023	OVEN IND. LIGHT (LENS & BEZEL)	2	EA	
8	PA010012	ROPER PLUG	1	EA	
9	PA070003	PRESSURE REGULATOR	1	EA	
9	013386-000	LP PRESSURE REGULATOR	1	EA	
10	PE050024	OVEN IND. LIGHT (LIGHT HOUSING)	1	EA	
<p>Comments for Part Num. PE050024</p> <p>haarnink@vikingrange.com on Jan 14, 2019 please not that the indicator light is now part 043135-000 but needs the Jumper harness 051443-000. and second option there are units in the field with a 230V indicator light part number 036566-000.</p> <p>please check this for all "E" module ranges/Tops</p>					
11	PJ030035	THERMOSTAT	1	EA	

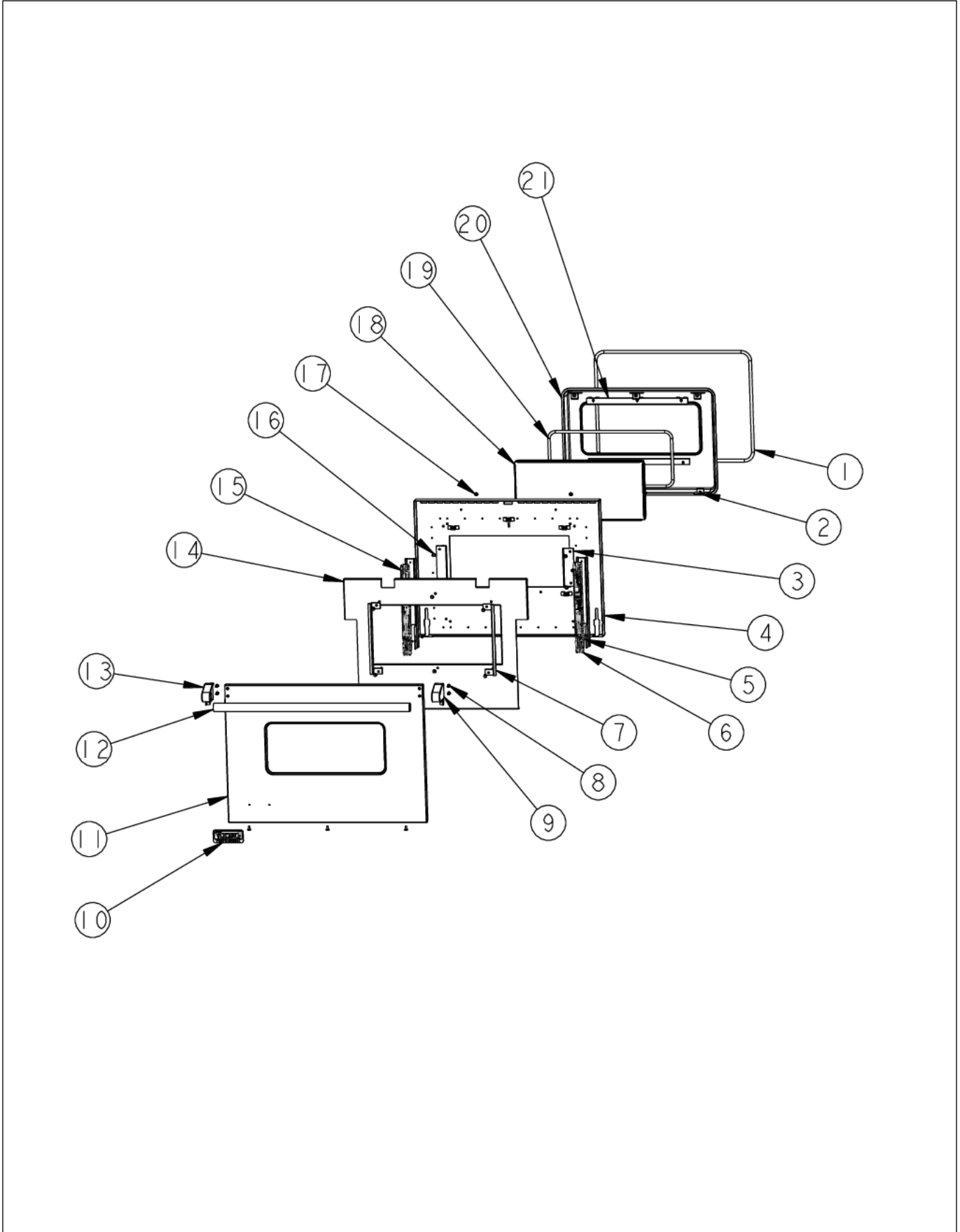




Item	Part No.	Name	Qty	Uom	NOTES
Comments for Part Num. PJ030035					
parts@lvdistributes.com on Feb 7, 2018					
this is not the correct part for this range it should be a 003225-000					
Reply by JREXEC02@AOL.COM on Feb 27, 2018					
003225-000 is an Induction Control.					
PJ030035 is the red colored thermostat for the Gas Range					

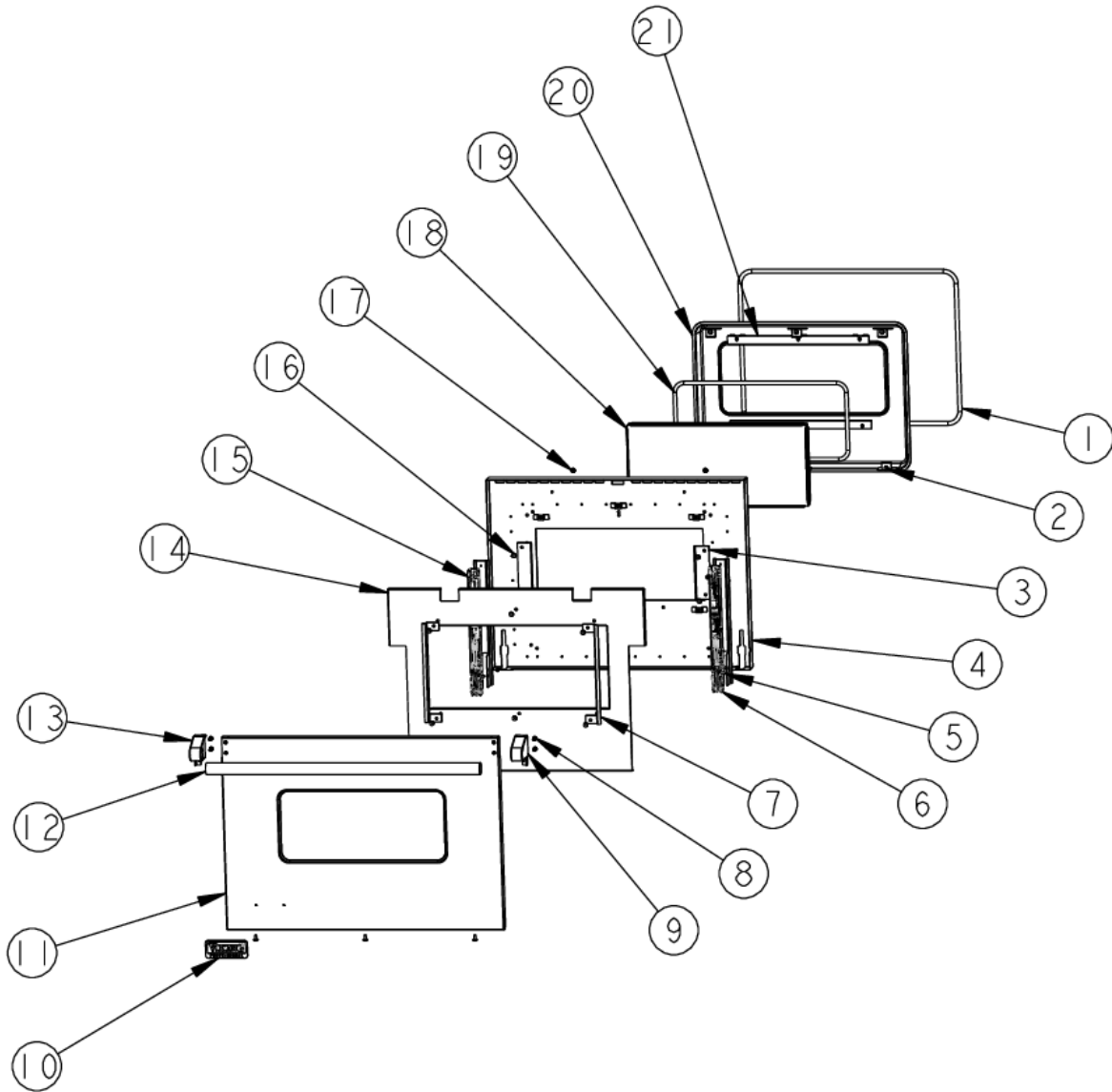
12	PJ030034	SELECTOR, 6 POS	1	EA	
13	007147-000	SHUTOFF VALVE ASSY	1	EA	
14	006313-000	VALVE, BRS, SEALED TOP	4	EA	
15	002926-000	GAS MANIFOLD, REDESIGN	1	EA	
16	PA020058	IRIS SINGLE SPARK MODULE	4	EA	
17	PD020046	' #8 X 1/2 SCREWS	4	EA	
18	005270-000	RANGE THERMOSTAT KNOB- BRUSHED, SSS	1	EA	
Not Shown	NOTE	BEFORE 12/20/12		EA	
18	035893-000	KNOB,OVN,TSTAT, PRO VDSC/VESC CR3	1	EA	
Not Shown	NOTE	AFTER 12/20/12		EA	
19	025711-2057	CONTROL PANEL ASM, VGSC530-4B W/GRAPHICS	1	EA	
20	PD020032	SRW-8(A)X3/8"PH.WFR HD 7/16DIA*NICL	5	EA	
21	009331-000	TRIM, ASM	1	EA	

DOOR ASSEMBLY

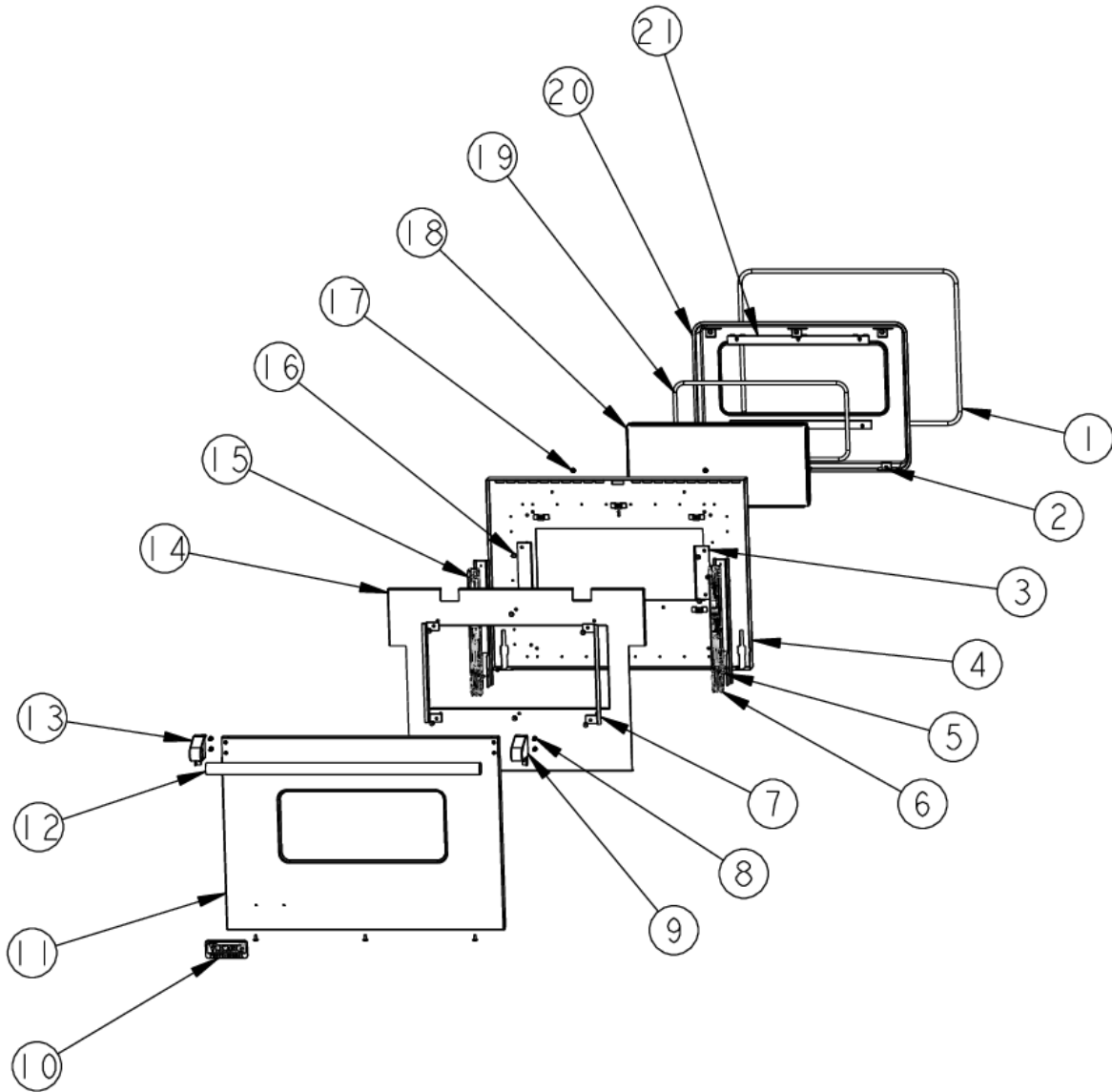




Item	Part No.	Name	Qty	Uom	NOTES
1	000042-000	30" DOOR GASKET	1	EA	
2	PD020014	10X3/4 PH TR HD SMS	12	EA	
3	A2002189	DOOR GLASS STANDOFF (VDSC)	2	EA	
4	004691-000	DOOR LINER ASSY	1	EA	
<p>Comments for Part Num. 004691-000</p> <p>profixappliances@gmail.com on Dec 29, 2017</p> <p>004691-000 IS SPECKLED FINISH, FOR ALL BLACK FINISH ORDER 004691-402.</p>					
5	PD010003	10-24 X 1/2 PH.TR.HD.SERD.M.S.	2	EA	
6	002740-000	DOOR HINGE	2	EA	See TC-0121-SP Service Bulletin
7	007583-000	BRACKET, GLASS	2	EA	
8	030823-000	#10-32 PAN HEAD PHILLIPS MACHINE SCREW	8	EA	
9	003012-00	RH DOOR HANDLE END CAP - SS	1	EA	Not available online / Call for pricing and availability
10	PE010016	LOGO (ALL RANGES) *BK/CHR 307997W	1	EA	
11	023453-000	SVC DOOR SKIN KIT, VGSC, IC, CC 30"SS	1	EA	
11	023454-002	SVC DOOR SKIN KIT, VGSC, IC, CC 30" BK	1	EA	
11	023454-003	SVC DOOR SKIN KIT, VGSC, IC, CC 30" BT	1	EA	
11	023454-004	SVC DOOR SKIN KIT, VGSC, IC, CC 30" SG	1	EA	Not available online / Call for pricing and availability
11	023454-005	SVC DOOR SKIN KIT, VGSC, IC, CC 30" GG	1	EA	
11	023454-006	SVC DOOR SKIN KIT, VGSC, IC, CC 30" WH	1	EA	
11	023454-008	SVC DOOR SKIN KIT, VGSC, IC, CC 30" BU	1	EA	Not available online / Call for pricing and availability
11	023454-009	SVC DOOR SKIN KIT, VGSC, IC, CC 30" LE	1	EA	



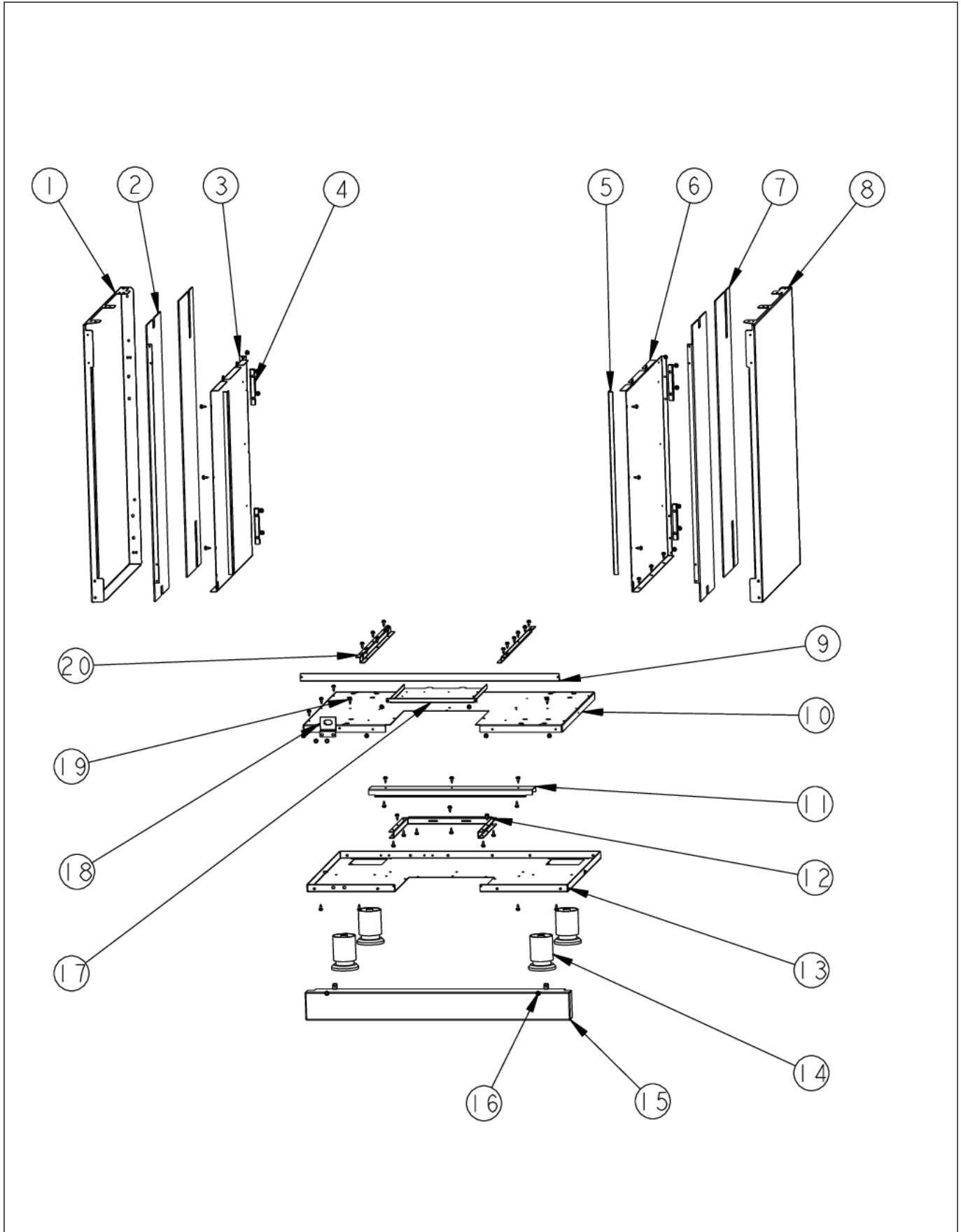
Item	Part No.	Name	Qty	Uom	NOTES
11	023454-010	SVC DOOR SKIN KIT, VGSC, IC, CC 30" MJ	1	EA	Not available online / Call for pricing and availability
11	023454-012	SVC DOOR SKIN KIT, VGSC, IC, CC 30" VB	1	EA	
11	023454-013	SVC DOOR SKIN KIT, VGSC, IC, CC 30" CB	1	EA	
11	023454-015	SVC DOOR SKIN KIT, VGSC, IC, CC 30" PL	1	EA	Not available online / Call for pricing and availability
11	023454-016	SVC DOOR SKIN KIT, VGSC, IC, CC 30" CH	1	EA	Not available online / Call for pricing and availability
11	023454-017	SVC DOOR SKIN KIT, VGSC, IC, CC 30" TP	1	EA	
11	023454-018	SVC DOOR SKIN KIT, VGSC, IC, CC 30" CW	1	EA	Not available online / Call for pricing and availability
11	023454-019	SVC DOOR SKIN KIT, VGSC, IC, CC 30" OG	1	EA	Not available online / Call for pricing and availability
11	023454-020	SVC DOOR SKIN KIT, VGSC, IC, CC 30" GM	1	EA	Not available online / Call for pricing and availability
11	023454-021	SVC DOOR SKIN KIT, VGSC, IC, CC 30" SA	1	EA	Not available online / Call for pricing and availability
11	023454-022	SVC DOOR SKIN KIT, VGSC, IC, CC 30" SE	1	EA	Not available online / Call for pricing and availability
11	023454-023	SVC DOOR SKIN KIT, VGSC, IC, CC 30" IB	1	EA	
11	023454-024	PANEL,DOOR,ASM,OTR,DECA RB VGCC530 AR	1	EA	
11	023454-025	SVC DOOR SKIN KIT, VGSC, IC, CC 30" RR	1	EA	
11	023454-026	SVC DOOR SKIN KIT, VGSC, IC, CC 30" PM	1	EA	
11	023454-027	SVC DOOR SKIN KIT, VGSC, IC, CC 30" MS	1	EA	Not available online / Call for pricing and availability





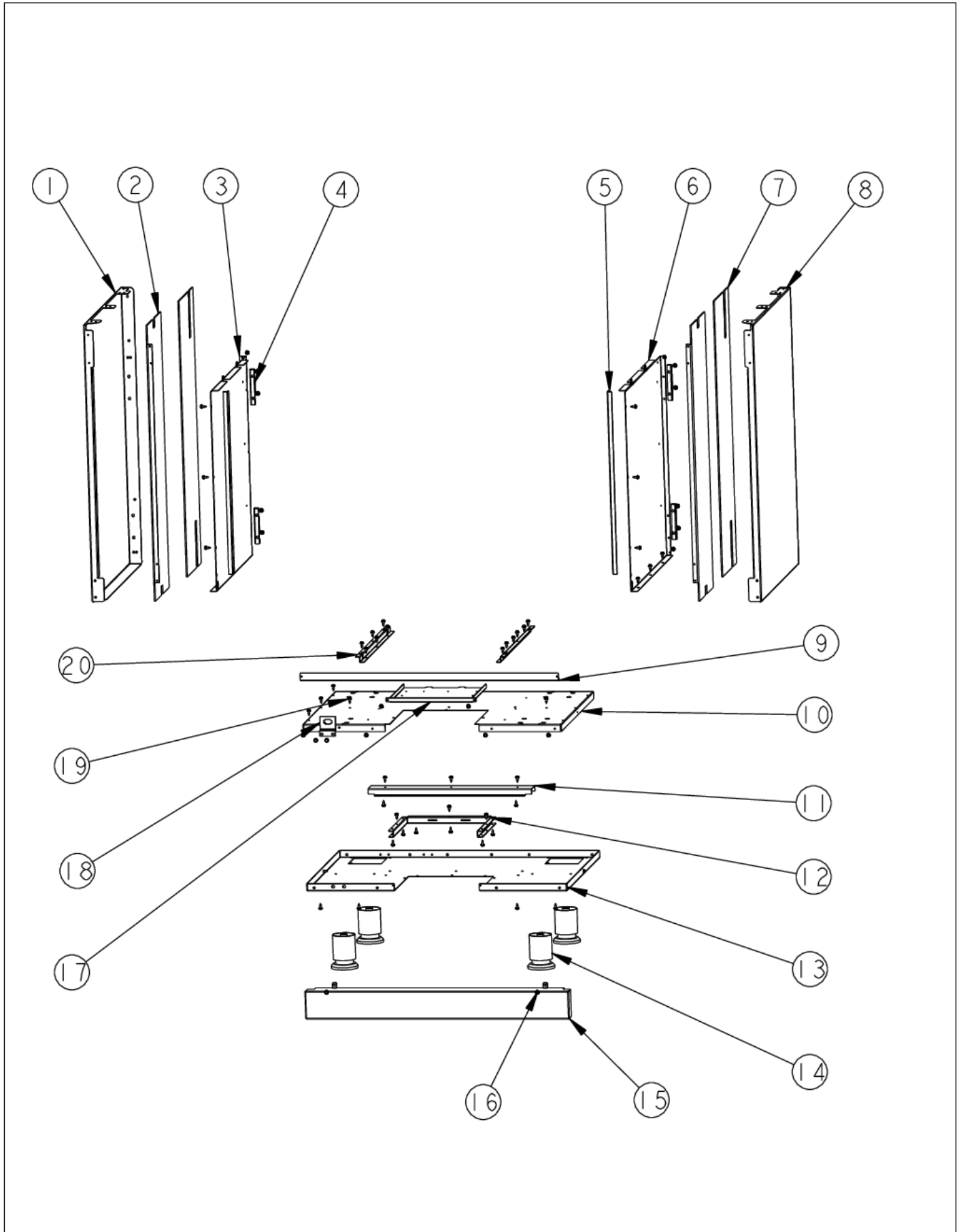
Item	Part No.	Name	Qty	Uom	NOTES
12	002728-000	DOOR HANDLE - SS, 1.25" 29.5	1	EA	
13	003011-000	DOOR HANDLE ENDCAP ASSY, LH (CHROME)	1	EA	
14	004688-000	DOOR PANEL INSULATION LINER	1	EA	
15	PD020004	10X3/8PH.HD.TYPE 25 REPL PD040125	1	EA	
16	PD020002	10 X 1/2 PH.TR.HD.SMS.	4	EA	
17	PD020063	SCREW-#8(A) X 3/8"PH WFR HD/BK OXID	2	EA	
18	PE060064	WINDOW PACK, SELF CLEANING OVEN 30"	1	EA	
19	000594-000	BLACK FIBERGLASS ROPE 3/8	1	EA	
20	G9102745	DR PG ASSY VDSC30/48" RE H9102175 (Before 12/20/2012)	1	EA	
21	A2007943	GLASSPACK BRACKET, LARGE	1	EA	
22	024604-000	INSULATION ANGLE	1	EA	Not available online / Call for pricing and availability
NI	005369-000	DOOR ASSEMBLY, VGSC530	1	EA	
NI	012930-002	DOOR, ASM, BK VGSC530	1	EA	
NI	012930-012	DOOR, ASM, VB VGSC530	1	EA	Not available online / Call for pricing and availability

LOWER UNIT AND SIDE PANELS



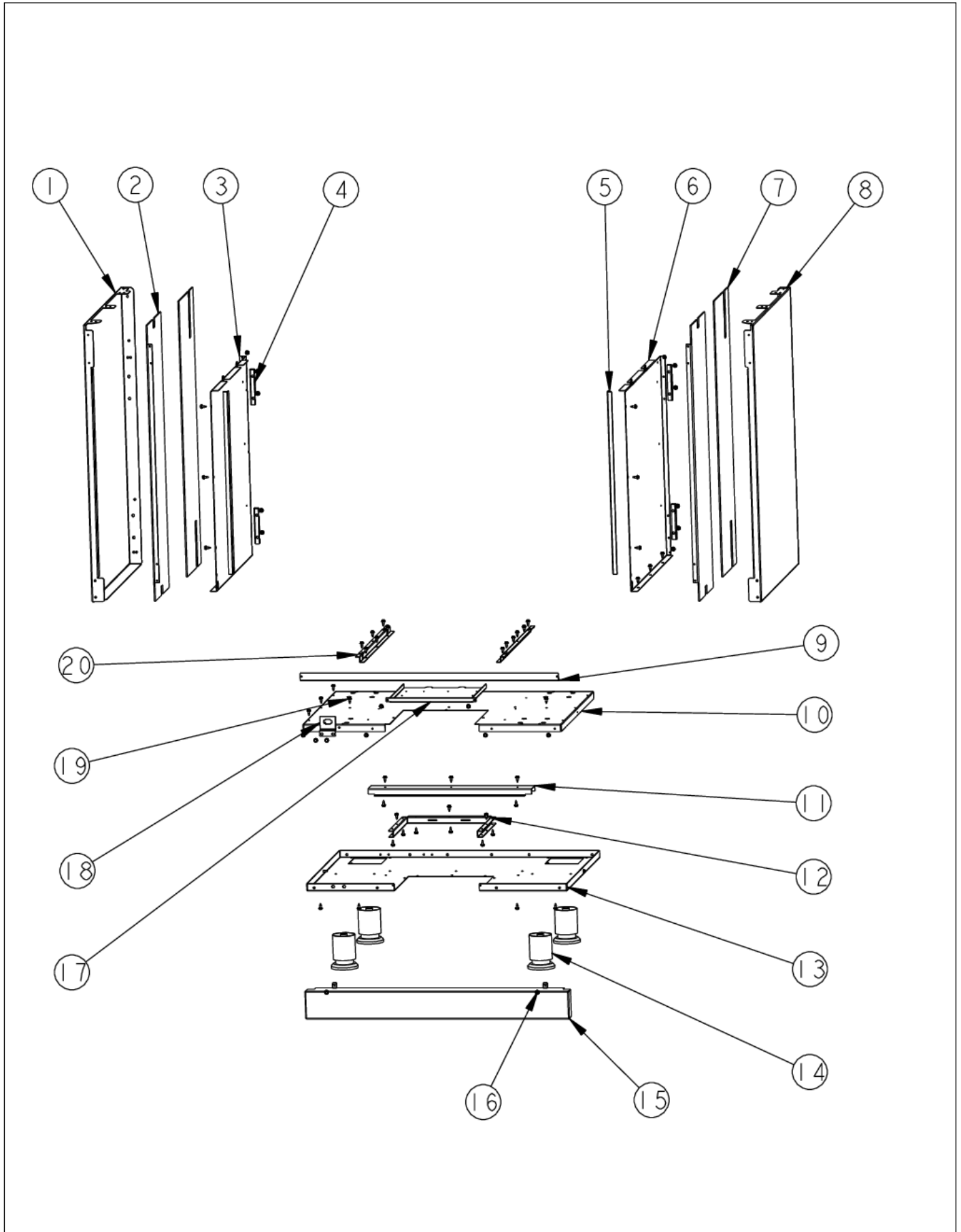


Item	Part No.	Name	Qty	Uom	NOTES
1	003588-000	SIDE PANEL, LH	1	EA	
1	005506-002	SIDE PANEL, LH ASSY, PAINTED BK	1	EA	
1	005506-003	SIDE PANEL, LH ASSY, PAINTED BT	1	EA	
1	005506-004	SIDE PANEL, LH ASSY, PAINTED SG	1	EA	
1	005506-005	SIDE PANEL, LH ASSY, PAINTED GG	1	EA	
1	005506-006	SIDE PANEL, LH ASSY, PAINTED WH	1	EA	
1	005506-007	SIDE PANEL, LH, AL	1	EA	Not available online / Call for pricing and availability
1	005506-008	SIDE PANEL, LH ASSY, PAINTED BU	1	EA	
1	005506-009	SIDE PANEL, LH ASSY, PAINTED LE	1	EA	
1	005506-010	SIDE PANEL, LH ASSY, PAINTED MJ	1	EA	
1	005506-011	SIDE PANEL, LH, FG	1	EA	Not available online / Call for pricing and availability
1	005506-012	SIDE PANEL, LH ASSY, PAINTED VB	1	EA	
1	005506-013	SIDE PANEL, LH ASSY, PAINTED CB	1	EA	
1	005506-014	SIDE PANEL, LH, EP	1	EA	Not available online / Call for pricing and availability
1	005506-015	SIDE PANEL, LH ASSY, PAINTED PL	1	EA	
1	005506-016	SIDE PANEL, LH ASSY, PAINTED CH	1	EA	
1	005506-017	SIDE PANEL, LH ASSY, PAINTED TP	1	EA	
1	005506-018	SIDE PANEL, LH ASSY, PAINTED CW	1	EA	
1	005506-019	SIDE PANEL, LH ASSY, PAINTED OG	1	EA	
1	005506-020	SIDE PANEL, LH ASSY, PAINTED GM	1	EA	



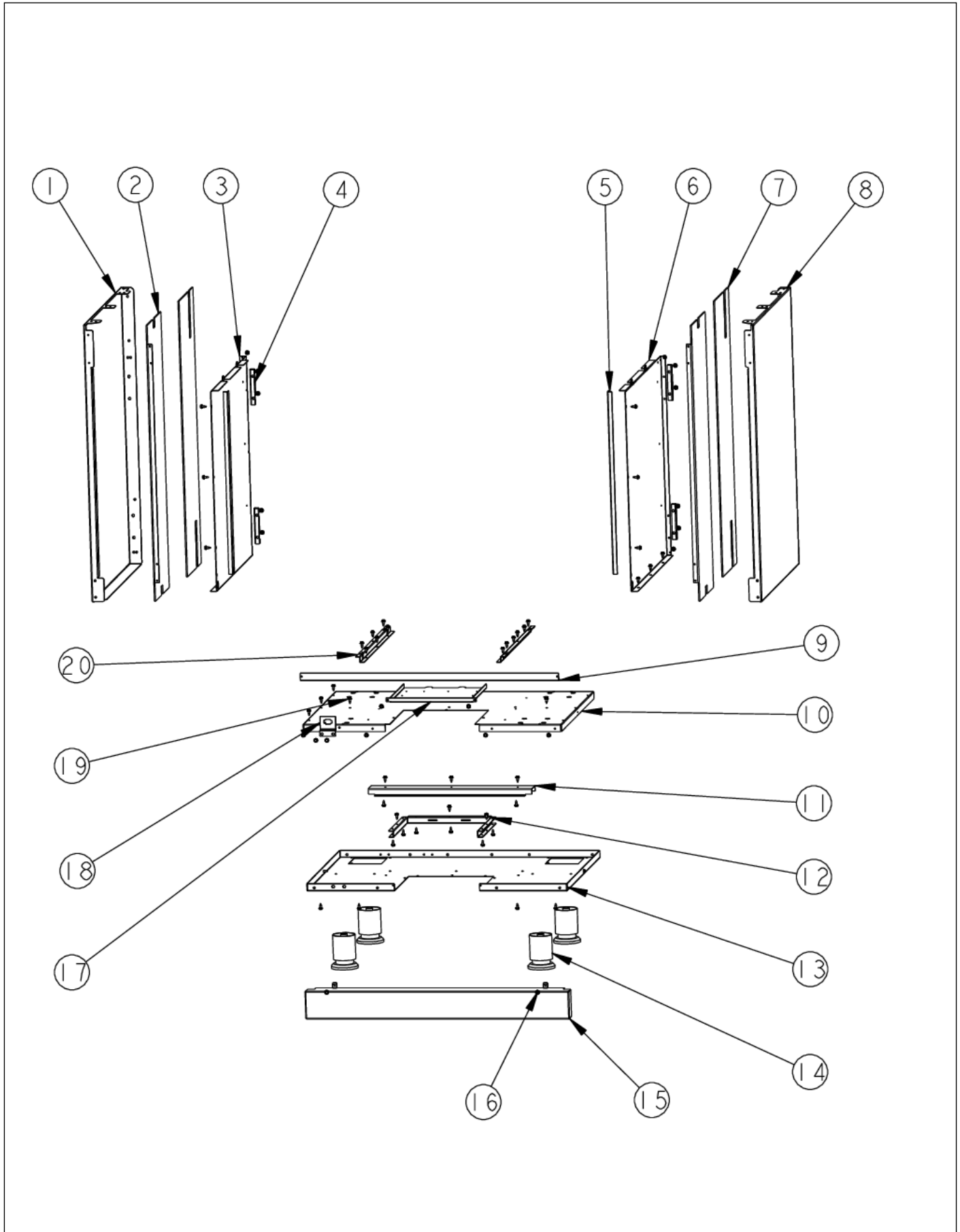


Item	Part No.	Name	Qty	Uom	NOTES
1	005506-021	SIDE PANEL, LH ASSY, PAINTED SA	1	EA	
1	005506-022	SIDE PANEL, LH ASSY, PAINTED SE	1	EA	
1	005506-023	SIDE PANEL, LH ASSY, PAINTED IB	1	EA	
1	005506-024	SIDE PANEL, LH ASSY, PAINTED AR	1	EA	
1	005506-025	SIDE PANEL, LH ASSY, PAINTED RR	1	EA	
1	005506-026	SIDE PANEL, LH ASSY, PAINTED PM	1	EA	
1	005506-027	SIDE PANEL, LH ASSY, PAINTED MS	1	EA	
2	002238-000	HEAT SINK-SIDE PANEL	2	EA	NO LONGER AVAILABLE, Not available online / Call for pricing and availability
3	004482-000	INSULATION, PNL, SIDE, LH	1	EA	
4	006744-000	STANDOFF, CAB, VGSC	4	EA	Not available online / Call for pricing and availability
5	005536-000	TRIM	2	EA	
6	004479-000	INSULATION, PNL, SIDE, RH	1	EA	
7	007488-000	SINK, REAR, SIDE	2	EA	
8	002905-000	SIDE PANEL, RH	1	EA	
8	005503-002	SIDE PANEL, RH ASSY, PAINTED BK	1	EA	
8	005503-003	SIDE PANEL, RH ASSY, PAINTED BT	1	EA	
8	005503-004	SIDE PANEL, RH ASSY, PAINTED SG	1	EA	
8	005503-005	SIDE PANEL, RH ASSY, PAINTED GG	1	EA	
8	005503-006	SIDE PANEL, RH ASSY, PAINTED WH	1	EA	
8	005503-007	SIDE PANEL, RH, AL	1	EA	Not available online / Call for pricing and availability
8	005503-008	SIDE PANEL, RH ASSY, PAINTED BU	1	EA	

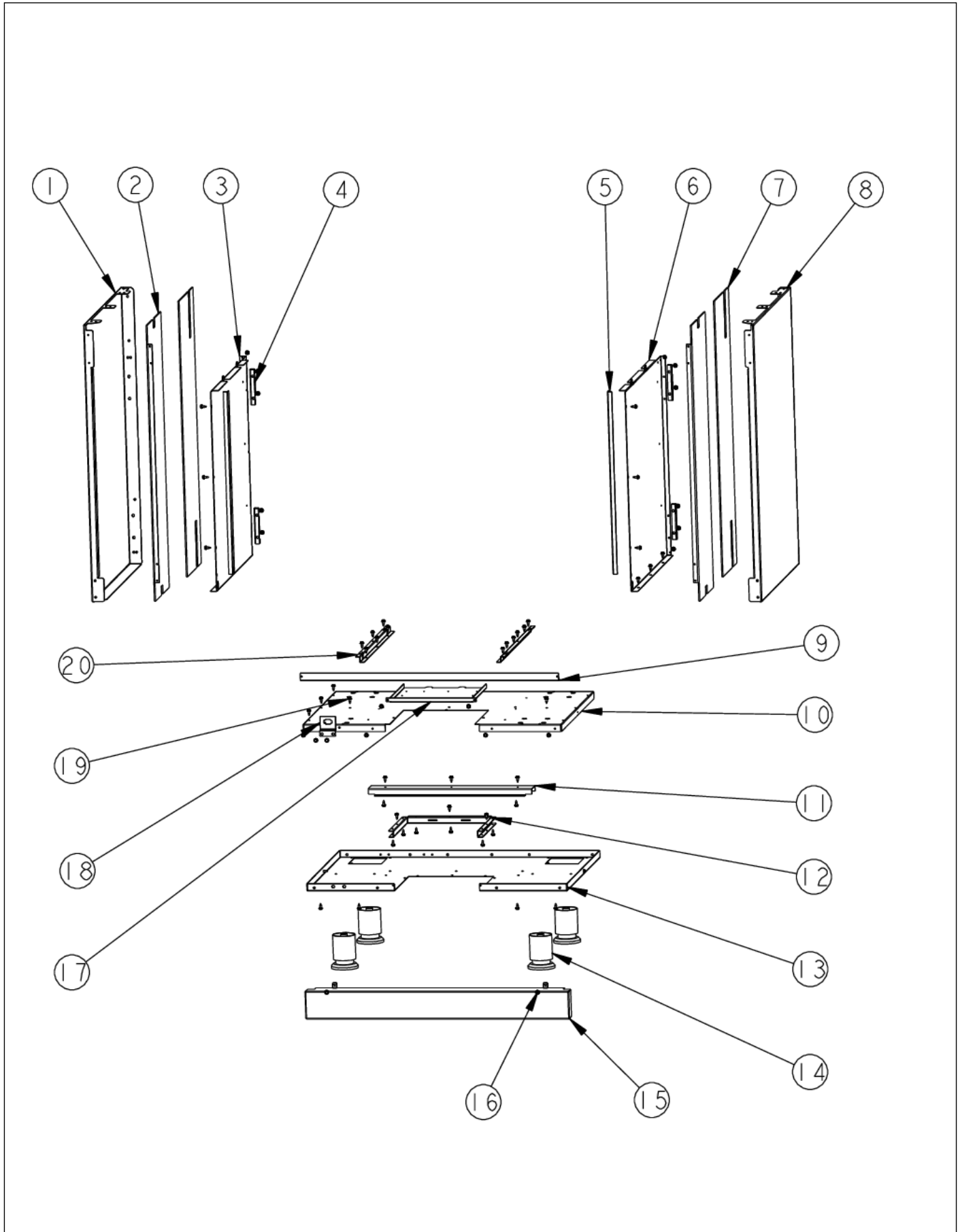




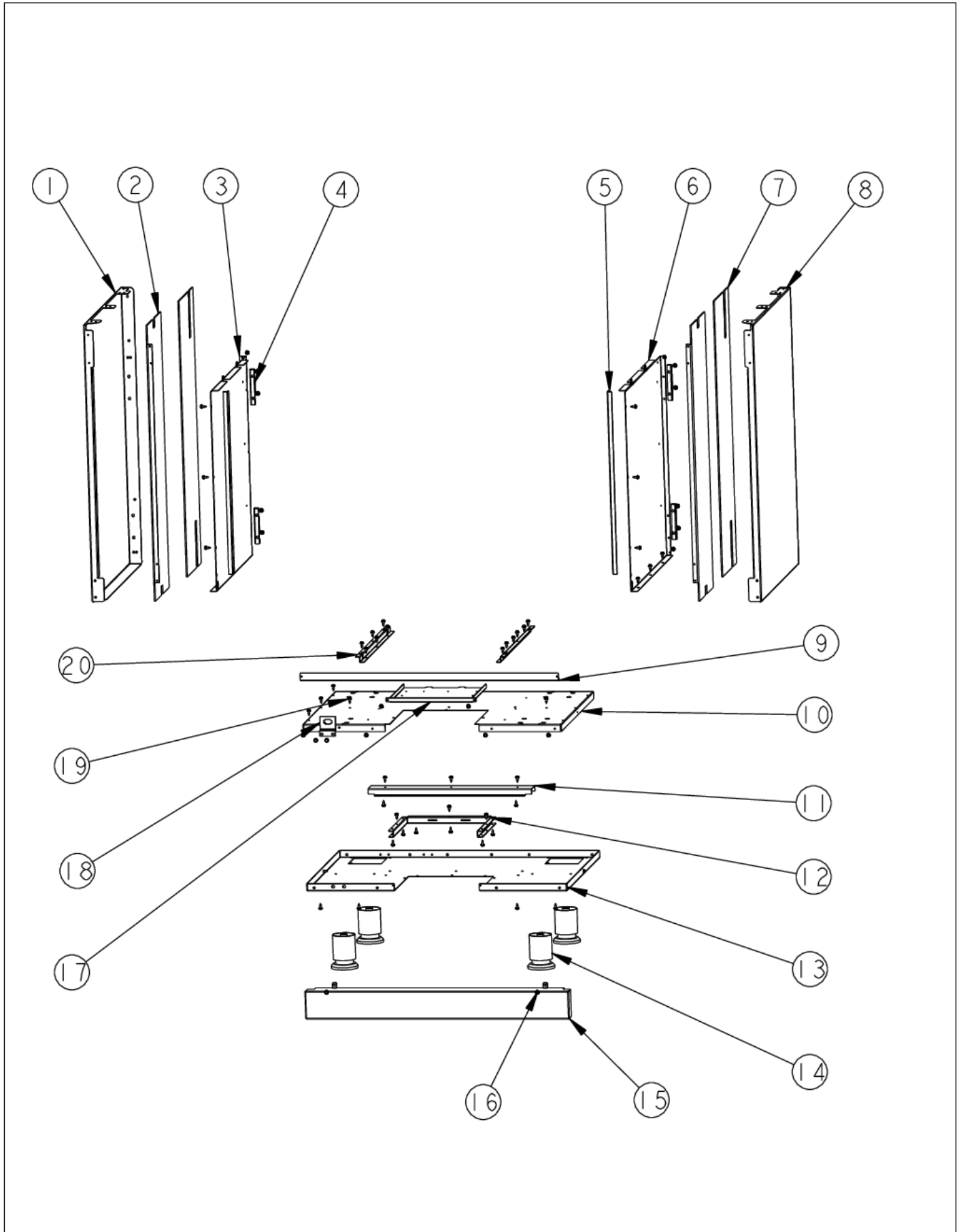
Item	Part No.	Name	Qty	Uom	NOTES
8	005503-009	SIDE PANEL, RH ASSY, PAINTED LE	1	EA	
8	005503-010	SIDE PANEL, RH ASSY, PAINTED MJ	1	EA	
8	005503-011	SIDE PANEL, RH, FG	1	EA	Not available online / Call for pricing and availability
8	005503-012	SIDE PANEL, RH ASSY, PAINTED VB	1	EA	
8	005503-013	SIDE PANEL, RH ASSY, PAINTED CB	1	EA	
8	005503-014	SIDE PANEL, RH, EP	1	EA	Not available online / Call for pricing and availability
8	005503-015	SIDE PANEL, RH ASSY, PAINTED PL	1	EA	
8	005503-016	SIDE PANEL, RH ASSY, PAINTED CH	1	EA	
8	005503-017	SIDE PANEL, RH ASSY, PAINTED TP	1	EA	
8	005503-018	SIDE PANEL, RH ASSY, PAINTED CW	1	EA	
8	005503-019	SIDE PANEL, RH ASSY, PAINTED OG	1	EA	
8	005503-020	SIDE PANEL, RH ASSY, PAINTED GM	1	EA	
8	005503-021	SIDE PANEL, RH ASSY, PAINTED SA	1	EA	
8	005503-022	SIDE PANEL, RH ASSY, PAINTED SE	1	EA	
8	005503-023	SIDE PANEL, RH ASSY, PAINTED IB	1	EA	
8	005503-024	SIDE PANEL, RH ASSY, PAINTED AR	1	EA	
8	005503-025	SIDE PANEL, RH ASSY, PAINTED RR	1	EA	
8	005503-026	SIDE PANEL, RH ASSY, PAINTED PM	1	EA	
8	005503-027	SIDE PANEL, RH ASSY, PAINTED MS	1	EA	
9	006199-000	SPACER, BOT, 30", GSC	1	EA	
10	003052-000	BASE TOP PLATE	1	EA	



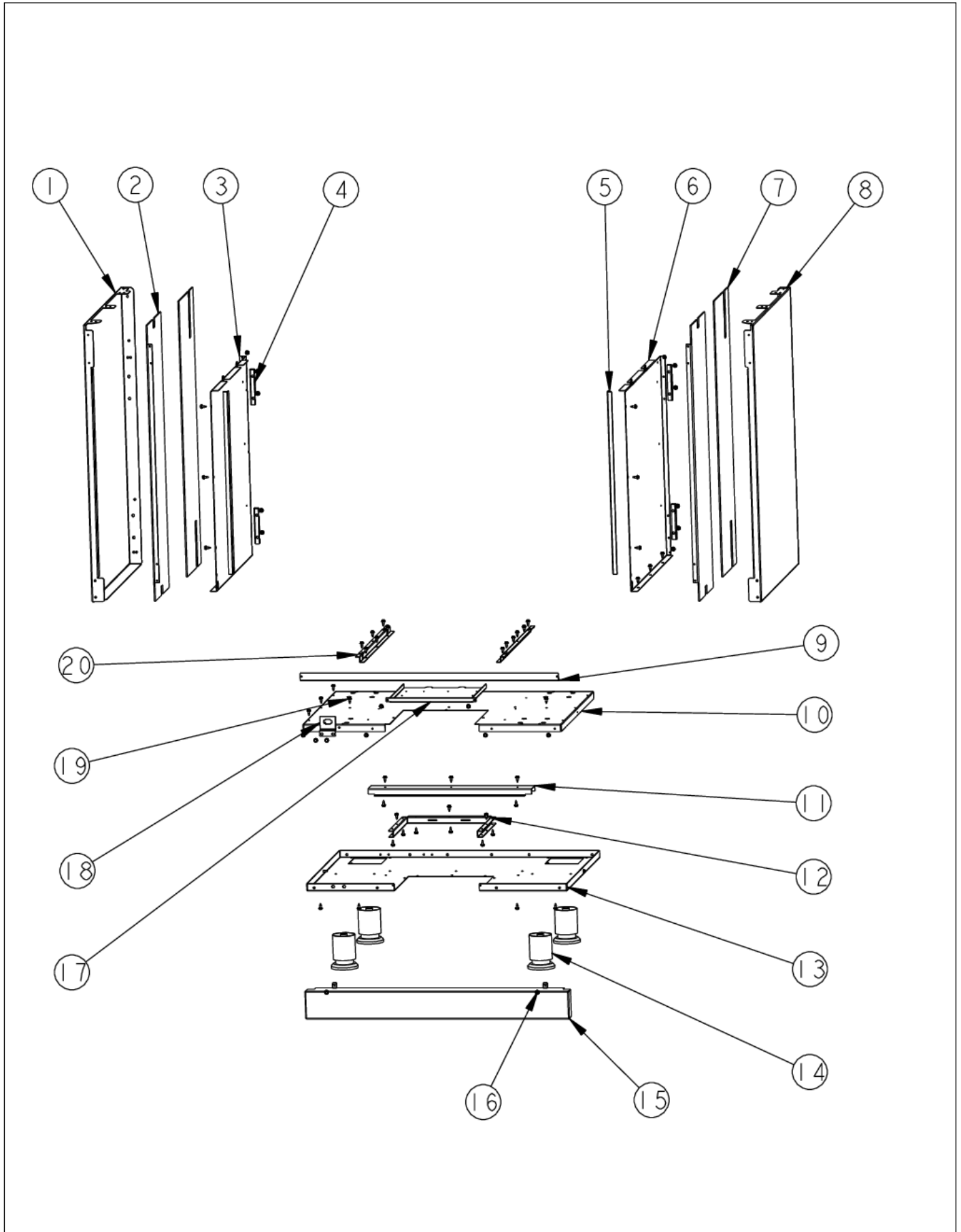
Item	Part No.	Name	Qty	Uom	NOTES
11	003055-000	BASE CENTER SUPPORT CHANNEL	1	EA	
12	003054-000	BASE CENTER CUTOUT STIFFENER	1	EA	
13	003056-000	BASE ASSEMBLY	1	EA	
14	044178-000	RANGE, LEG, ADJUSTABLE	4	EA	
15	006198-000	PANEL, ACS, 30", GSC	1	EA	
Not Shown	NOTE	(BEFORE 06/14/12)		EA	
15	035955-000	PANEL, ACS, 30", GSC	1	EA	
Not Shown	NOTE	(FROM 6/14/12 - 6/14/13)		EA	
15	038426-000	KICKPLATE,30"	1	EA	
Not Shown	NOTE	(ON OR AFTER 06/14/13)		EA	
15	007361-002	PANEL, ACS, 30", KICKPLATE, BK	1	EA	
Not Shown	NOTE	(BEFORE 06/14/13)		EA	
15	038577-002	KICKPLATE, 30" BK	1	EA	
Not Shown	NOTE	(ON OR AFTER 06/14/13)		EA	
15	007361-003	PANEL, ACS, 30", KICKPLATE, BT	1	EA	
Not Shown	NOTE	(BEFORE 06/14/13)		EA	
15	038577-003	KICKPLATE 30" BT	1	EA	
Not Shown	NOTE	(ON OR AFTER 06/14/13)		EA	
15	007361-004	PANEL, ACS, 30", KICKPLATE, SG	1	EA	
Not Shown	NOTE	(BEFORE 06/14/13)		EA	
15	038577-004	KICKPLATE 30" SG	1	EA	
Not Shown	NOTE	(ON OR AFTER 06/14/13)		EA	
15	007361-005	PANEL, ACS, 30", KICKPLATE, GG	1	EA	
Not Shown	NOTE	(BEFORE 06/14/13)		EA	
15	038577-005	KICKPLATE, 30" GG	1	EA	



Item	Part No.	Name	Qty	Uom	NOTES
Not Shown	NOTE	(ON OR AFTER 06/14/13)		EA	
15	007361-006	PANEL, ACS, 30", KICKPLATE, WH	1	EA	
Not Shown	NOTE	(BEFORE 06/14/13)		EA	
15	038577-006	KICKPLATE, 30" WH	1	EA	
Not Shown	NOTE	(ON OR AFTER 06/14/13)		EA	
15	007361-008	PANEL, ACS, 30", KICKPLATE, BU	1	EA	
Not Shown	NOTE	(BEFORE 06/14/13)		EA	
15	038577-008	KICKPLATE, 30" BU	1	EA	
Not Shown	NOTE	(ON OR AFTER 06/14/13)		EA	
15	007361-009	PANEL, ACS, 30", KICKPLATE, LE	1	EA	
Not Shown	NOTE	(BEFORE 06/14/13)		EA	
15	038577-009	KICKPLATE 30" LE	1	EA	
Not Shown	NOTE	(ON OR AFTER 06/14/13)		EA	
15	007361-010	PANEL, ACS, 30", KICKPLATE, MJ	1	EA	
Not Shown	NOTE	(BEFORE 06/14/13)		EA	
15	038577-010	KICKPLATE 30" MJ	1	EA	
Not Shown	NOTE	(ON OR AFTER 06/14/13)		EA	
15	007361-012	PANEL, ACS, 30", KICKPLATE, VB	1	EA	
Not Shown	NOTE	(BEFORE 06/14/13)		EA	
15	038577-012	KICKPLATE 30" VB	1	EA	
Not Shown	NOTE	(ON OR AFTER 06/14/13)		EA	
15	007361-013	PANEL, ACS, 30", KICKPLATE, CB	1	EA	
Not Shown	NOTE	(BEFORE 06/14/13)		EA	
15	038577-013	KICKPLATE, 30" CB	1	EA	

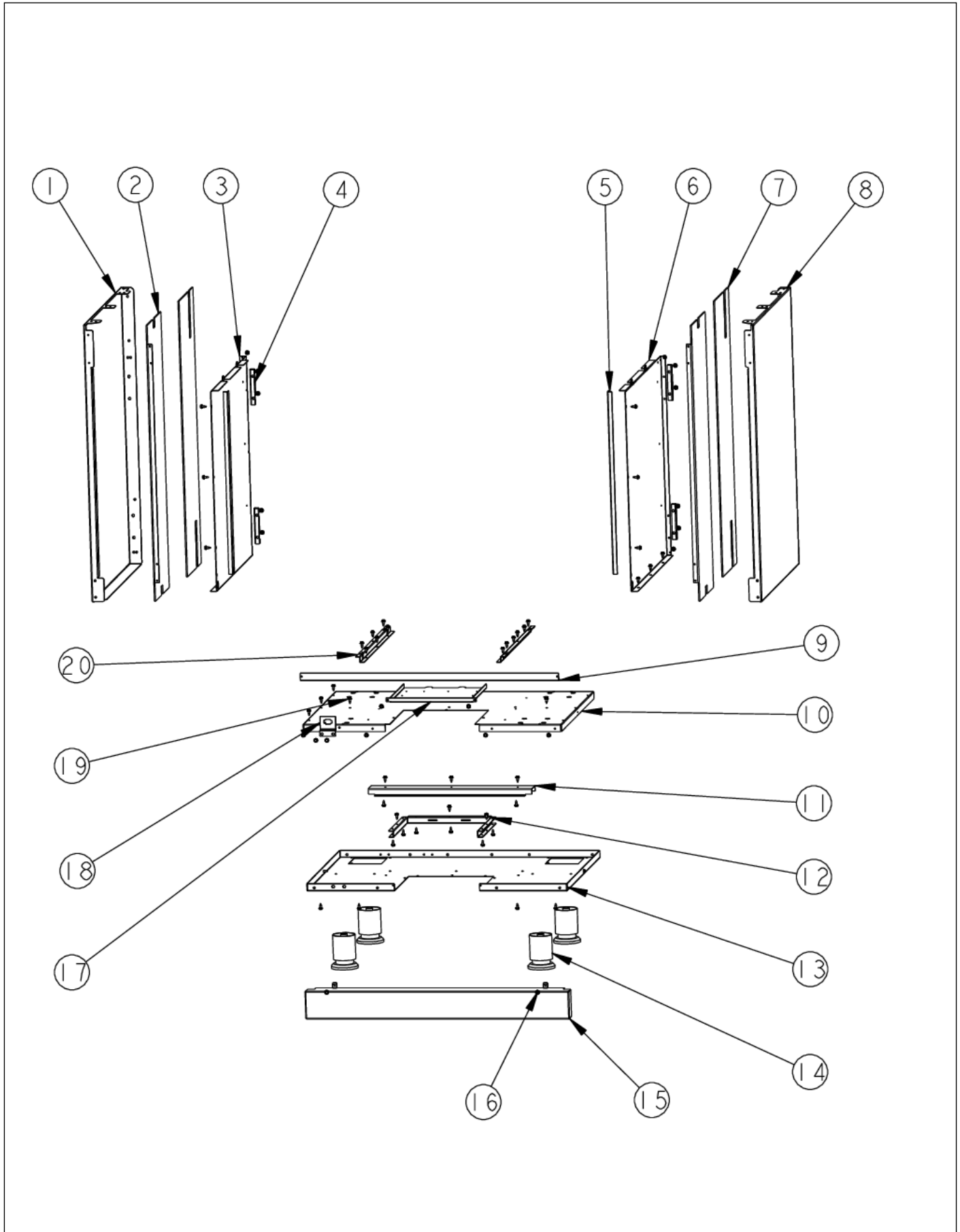


Item	Part No.	Name	Qty	Uom	NOTES
Not Shown	NOTE	(ON OR AFTER 06/14/13)		EA	
15	007361-015	PANEL, ACS, 30", KICKPLATE, PL	1	EA	
Not Shown	NOTE	(BEFORE 06/14/13)		EA	
15	038577-015	KICKPLATE 30" CH	1	EA	
Not Shown	NOTE	(ON OR AFTER 06/14/13)		EA	
15	007361-016	PANEL, ACS, 30", KICKPLATE, CH	1	EA	Not available online / Call for pricing and availability
Not Shown	NOTE	(BEFORE 06/14/13)		EA	
15	038577-015	KICKPLATE 30" CH	1	EA	
Not Shown	NOTE	(ON OR AFTER 06/14/13)		EA	
15	007361-017	PANEL, ACS, 30" KICKPLATE, TP	1	EA	
Not Shown	NOTE	(BEFORE 06/14/13)		EA	
15	038577-017	KICKPLATE 30" OG	1	EA	
Not Shown	NOTE	(ON OR AFTER 06/14/13)		EA	
15	007361-018	PANEL, ACS, 30" KICKPLATE, CW NLA	1	EA	
Not Shown	NOTE	(BEFORE 06/14/13)		EA	
15	038577-017	KICKPLATE 30" OG	1	EA	
Not Shown	NOTE	(ON OR AFTER 06/14/13)		EA	
15	007361-019	PANEL, ACS, 30", KICKPLATE, OG	1	EA	
Not Shown	NOTE	(BEFORE 06/14/13)		EA	
15	038577-019	KICKPLATE 30" OG	1	EA	
Not Shown	NOTE	(ON OR AFTER 06/14/13)		EA	
15	007361-020	PANEL, ACS, 30", KICKPLATE, GM	1	EA	
Not Shown	NOTE	(BEFORE 06/14/13)		EA	





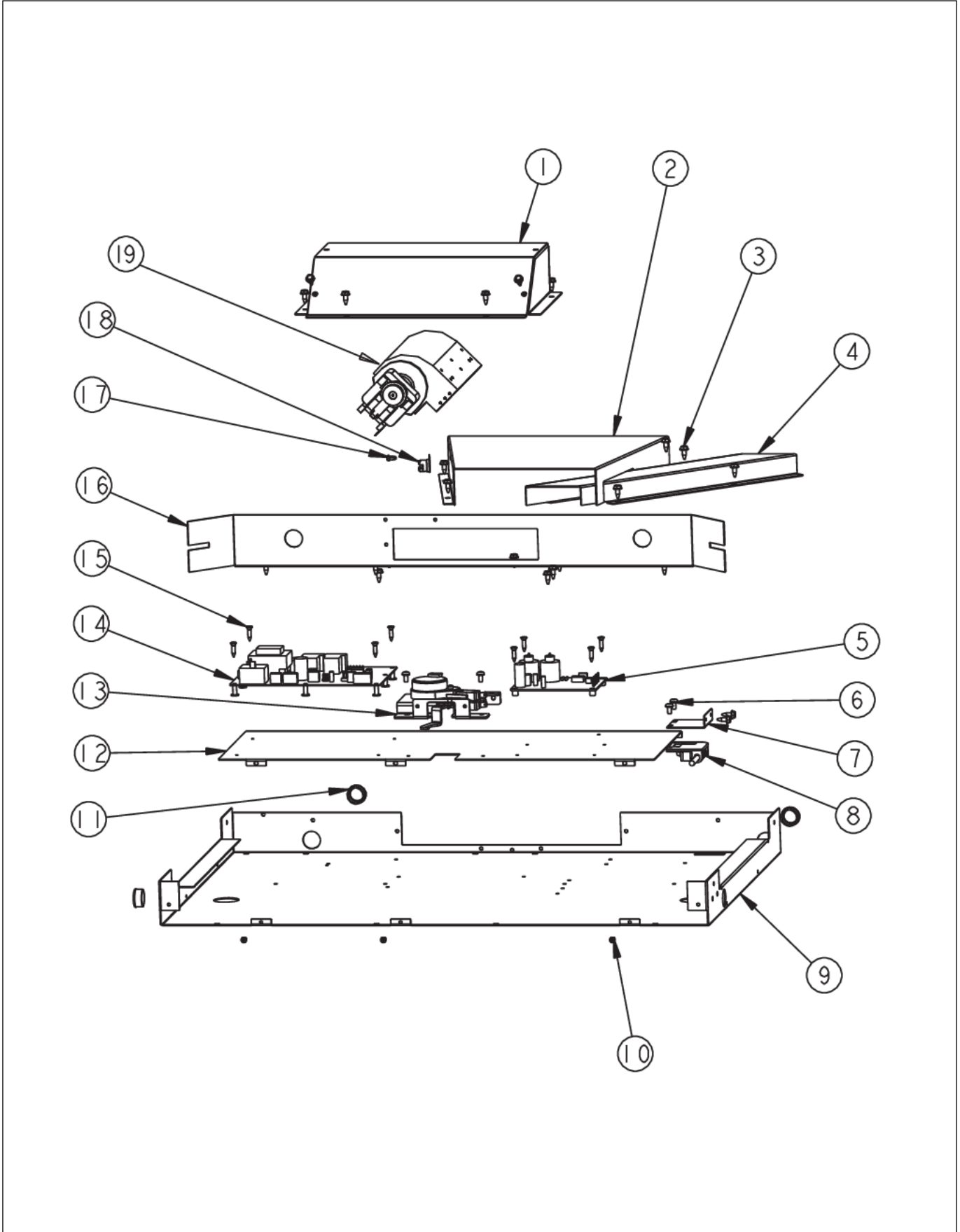
Item	Part No.	Name	Qty	Uom	NOTES
15	038577-020	KICKPLATE 30" GM	1	EA	
Not Shown	NOTE	(ON OR AFTER 06/14/13)		EA	
15	007361-021	PANEL, ACS, 30", KICKPLATE, SA	1	EA	
Not Shown	NOTE	(BEFORE 06/14/13)		EA	
15	038577-021	KICKPLATE 30" SA	1	EA	
Not Shown	NOTE	(ON OR AFTER 06/14/13)		EA	
15	007361-022	PANEL, ACS, 30" KICKPLATE, SE	1	EA	Not available online / Call for pricing and availability
Not Shown	NOTE	(BEFORE 06/14/13)		EA	
15	038577-022	KICKPLATE 30" SE	1	EA	
Not Shown	NOTE	(ON OR AFTER 06/14/13)		EA	
15	007361-023	PANEL, ACS, 30", KICKPLATE, IB	1	EA	
Not Shown	NOTE	(BEFORE 06/14/13)		EA	
15	038577-023	KICKPLATE 30" IB	1	EA	
Not Shown	NOTE	(ON OR AFTER 06/14/13)		EA	
15	007361-024	PANEL, ACS, 30", KICKPLATE, AR	1	EA	
Not Shown	NOTE	(BEFORE 06/14/13)		EA	
15	038577-024	KICKPLATE, 30" AR	1	EA	
Not Shown	NOTE	(ON OR AFTER 06/14/13)		EA	
15	007361-025	PANEL, ACS, 30", KICKPLATE, RR	1	EA	
Not Shown	NOTE	(BEFORE 06/14/13)		EA	
15	038577-025	KICKPLATE 30" RR	1	EA	
Not Shown	NOTE	(ON OR AFTER 06/14/13)		EA	
15	007361-026	PANEL, ACS, 30", KICKPLATE, PM	1	EA	





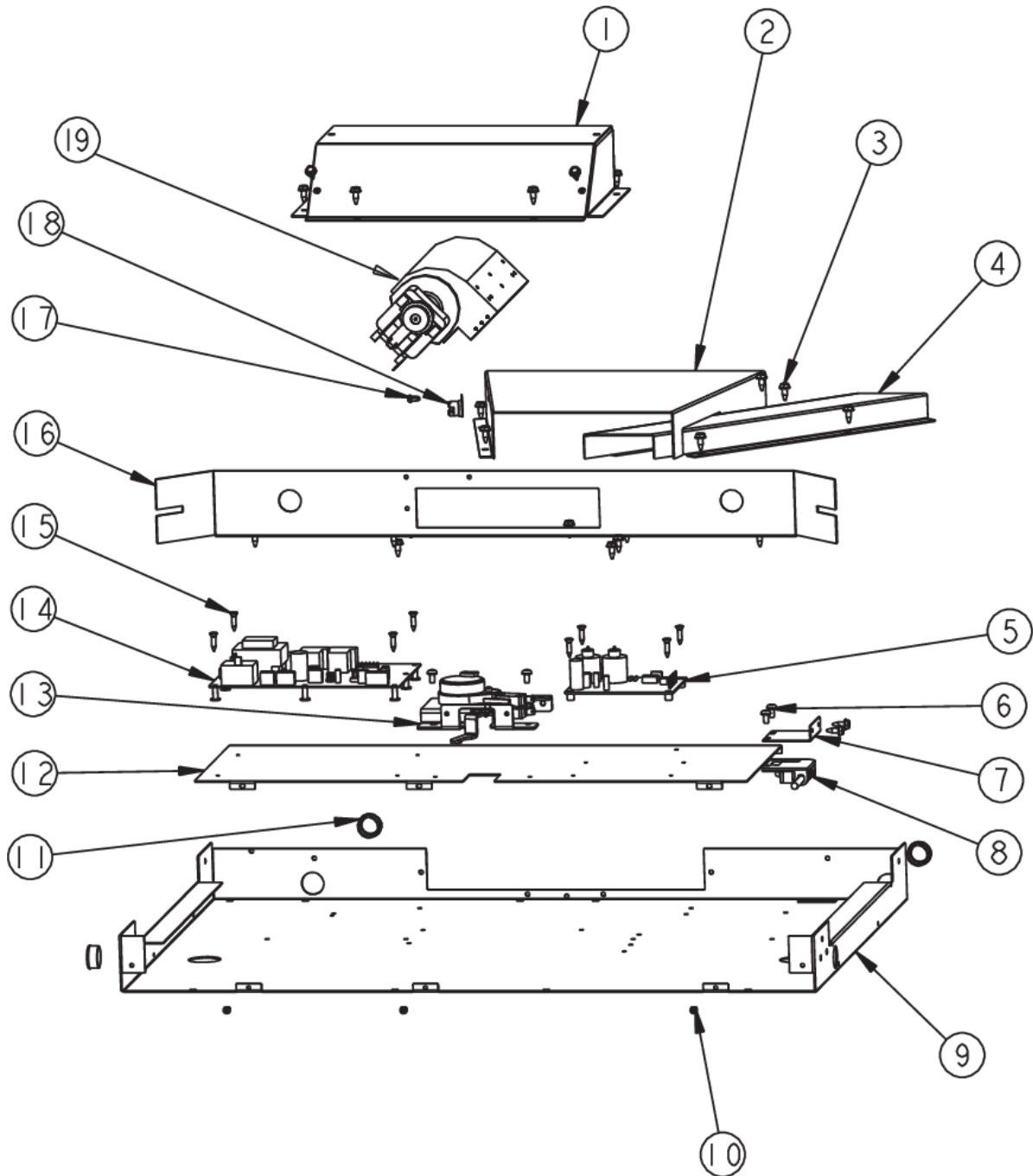
Item	Part No.	Name	Qty	Uom	NOTES
Not Shown	NOTE	(BEFORE 06/14/13)		EA	
15	038577-026	KICKPLATE, 30" PM	1	EA	
Not Shown	NOTE	(ON OR AFTER 06/14/13)		EA	
15	007361-027	PANEL, ACS, 30", KICKPLATE, MS	1	EA	
Not Shown	NOTE	(BEFORE 06/14/13)		EA	
15	038577-027	KICKPLATE 30" MS	1	EA	
Not Shown	NOTE	(ON OR AFTER 06/14/13)		EA	
16	PD020063	SCREW-#8(A) X 3/8"PH WFR HD/BK OXID	2	EA	
17	005537-000	PLATE, MTG, LWR	1	EA	
18	005280-000	DISCONNECT BRKT	1	EA	
19	003860-000	10-18 x .500 FASTNR,SCR,HXWH,STL,ZPLT	77	EA	
20	A2004429	OVEN BOTTOM INSUL. BRACE (VGSC306)	2	EA	

OVEN ELECTRONICS





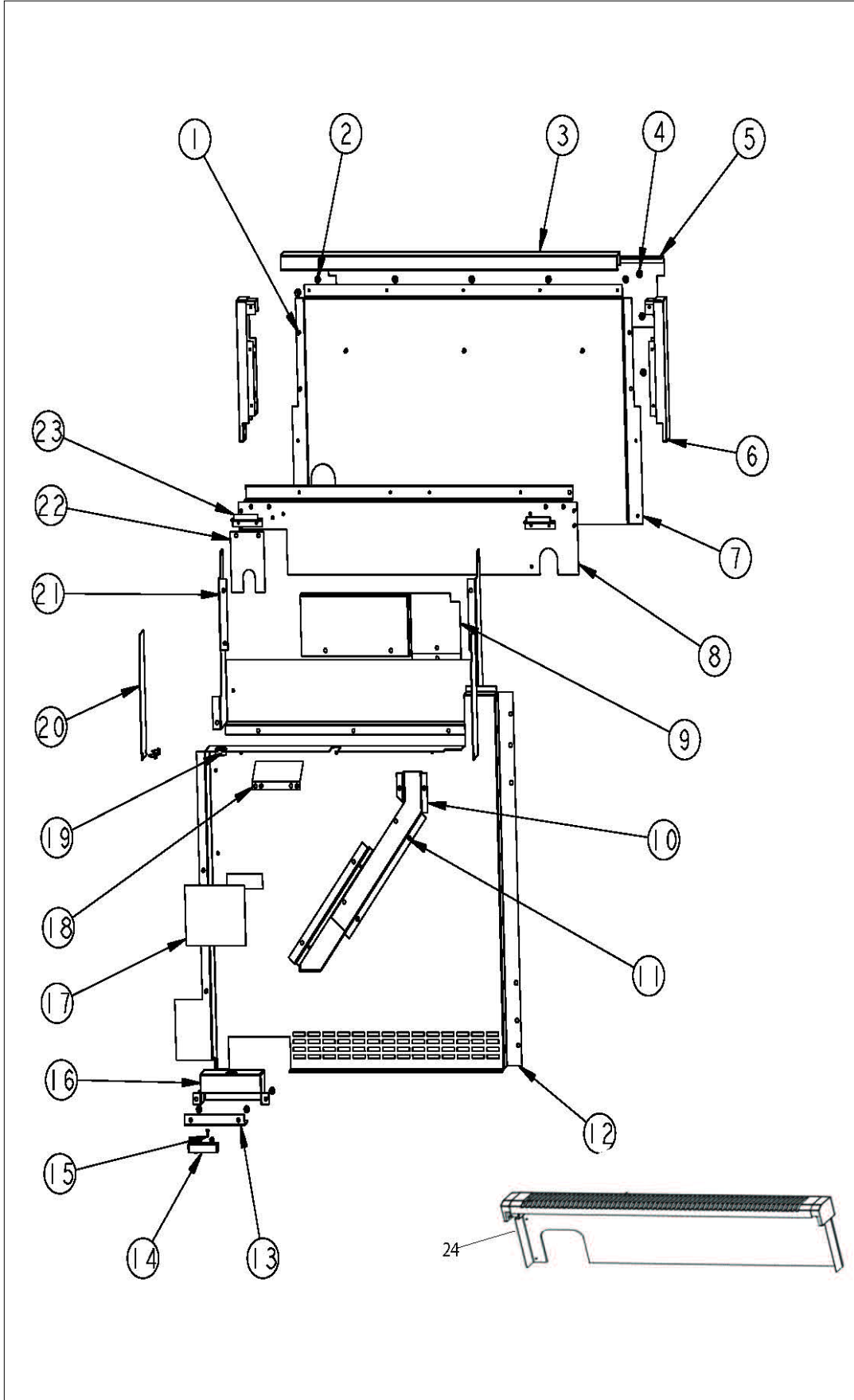
Item	Part No.	Name	Qty	Uom	NOTES
1	006959-000	COVER, FAN	1	EA	
2	005464-000	DUCT, VENT	1	EA	
3	003860-000	10-18 x .500 FASTNR,SCR,HXWH,STL,ZPLT	26	EA	
4	006950-000	DUCT, VENT	1	EA	
5	PA020056	NLA - See TC-0063D-SP for kit number (see comments)	1	EA	
Not Shown	NOTE	(BEFORE 12/29/10)		EA	
5	023651-000	DSI120-2-LVS	1	EA	
Not Shown	NOTE	(ON OR AFTER 12/29/10)		EA	
6	PD020004	10X3/8PH.HD.TYPE 25 REPL PD040125	4	EA	
7	A20012649	DOOR SWITCH BRACKET	1	EA	
8	PE050208	DOOR SWITCH	1	EA	
9	NOT REPLACEABLE	CABINET TOP	N/A	EA	
10	PD020076	6-32 X 3/8" PHILL PAN MS	3	EA	
11	PD040005	SNAP BUSHING - 7/8"	3	EA	
12	005315-000	TRAY, ELEX, 30", GSC	1	EA	
13	012565-000	LATCH,DOOR,ASM,120V, LOCKED POSITION	1	EA	
14	015981-000	CONTROL,BD,EOC2 GAS SELF CLEAN	1	EA	
Comments for Part Num. 015981-000					
gboltz@VikingRange.com on Sep 16, 2016					
SEE TC-0043-SP BULLETIN BEFORE ORDERING					
Not Shown	NOTE	IF UNIT PRODUCED PRIOR TO 7/6/2009 AN ADDITIONAL KIT MAY BE REQUIRED, SEE TC- 0043-SP BEFORE ORDERERERING		EA	
15	PD020061	' #8 X 3/4 FLAT HD TEK. *SS*	8	EA	
16	006114-000	DIVIDER, AIR	1	EA	
17	PD020013	TYPE "AB" #6 X 3/8 PH PAN HD. SMS	2	EA	
18	PJ030039	BI-METAL THERMOSTAT 275 DEGREES	1	EA	



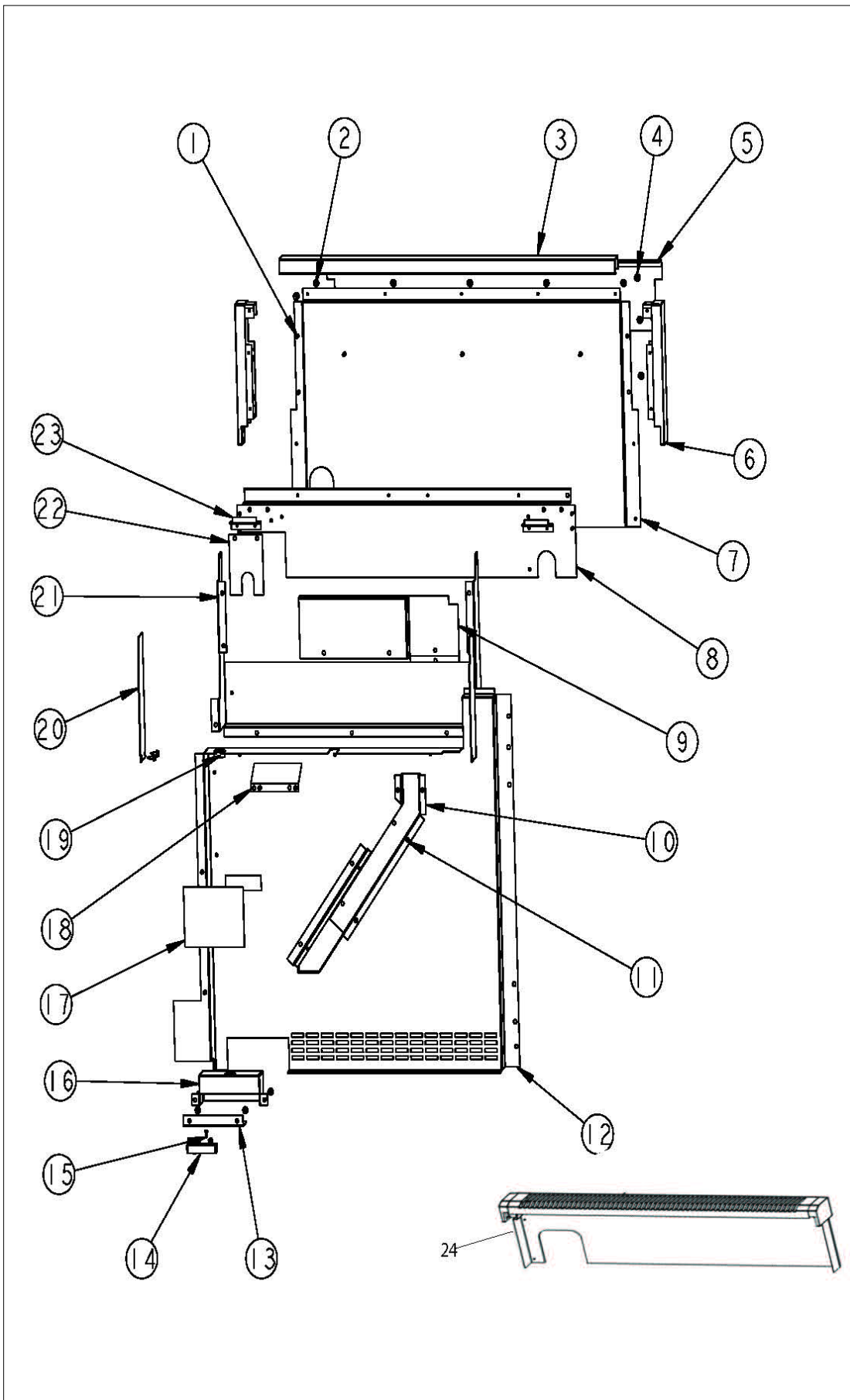


Item	Part No.	Name	Qty	Uom	NOTES
19	PE050250	Blower	1	EA	
<p>Comments for Part Num. PE050250</p> <p>highendappsvc@gmail.com on Jan 28, 2019</p> <p>If you need to replace cooling fan for the model vgsc5486gss serial date code 031412, do not order this fan, this fan is larger and configured wrong. The correct fan is 007794-000. it is smaller.</p>					

REAR SHEET METAL



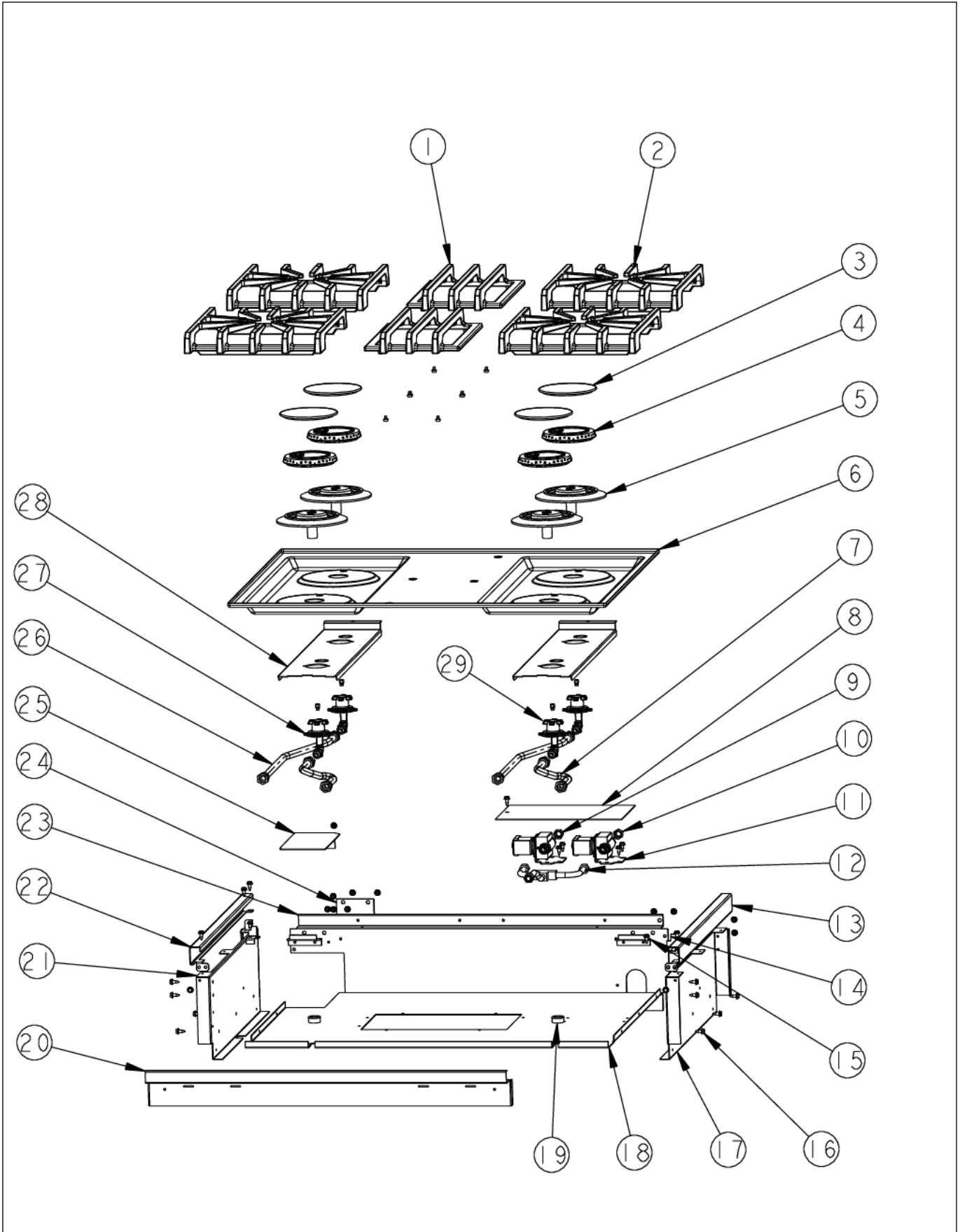
Item	Part No.	Name	Qty	Uom	NOTES
1	PD010003	10-24 X 1/2 PH.TR.HD.SERD.M.S.	8	EA	
2	PD020046	' #8 X 1/2 SCREWS	8	EA	
3	003810-000	BACKGUARD TOP, SS	1	EA	
4	PD020056	' #10-24 X 1/2" PH.TR. M.S. *SS*	2	EA	
5	006638-000	SHEILD, HEAT, BACKGUARD	1	EA	
6	002703-000	BACKGUARD ENDCAP	2	EA	
7	006637-000	BACKGUARD, BACK	1	EA	
8	006035-000	SUPPORT, BACK	1	EA	
9	006962-000	COVER, INL, BACK	1	EA	
10	006949-000	DUCT, AIR, ASM	1	EA	
11	003860-000	10-18 x .500 FASTNR,SCR,HXWH,STL,ZPLT	35	EA	
12	032123-000	CABINET, BACK		EA	
13	007484-000	TERMINAL, BLOCK, BRACKET	1	EA	
14	007400-000	BLOCK, TERMINAL	1	EA	
15	PD020076	6-32 X 3/8" PHILL PAN MS	1	EA	
16	031961-000	COVER, TERM. BLOCK		EA	
17	004285-000	INSULATION, FOIL- BACKED,4"x5"	1	EA	
18	006952-000	DEFLECTOR, AIR	1	EA	
19	PD040005	SNAP BUSHING - 7/8"	1	EA	
20	007486-000	PLATE, INSL	2	EA	
21	006961-000	BACK COLLAR	1	EA	
22	006687-000	REGULATOR COVER PLATE	1	EA	
23	007485-000	TRAY, INSL	2	EA	
24	004464-000	TRIM, IS, ASM, REDESIGN, 30"	1	EA	
Not Shown	NOTE	(BEFORE 01/17/13)		EA	
24	041445-000	TRIM, IS, ASSY, 30"	1	EA	
Not Shown	NOTE	(ON OR AFTER 01/17/13)		EA	
NI	005516-000	ISLAND TRIM, BACK	1	EA	
NI	007489-000	INSULATION, REAR, SUPPORT	2	EA	
NI	007490-000	INSULATION, TRIM	2	EA	





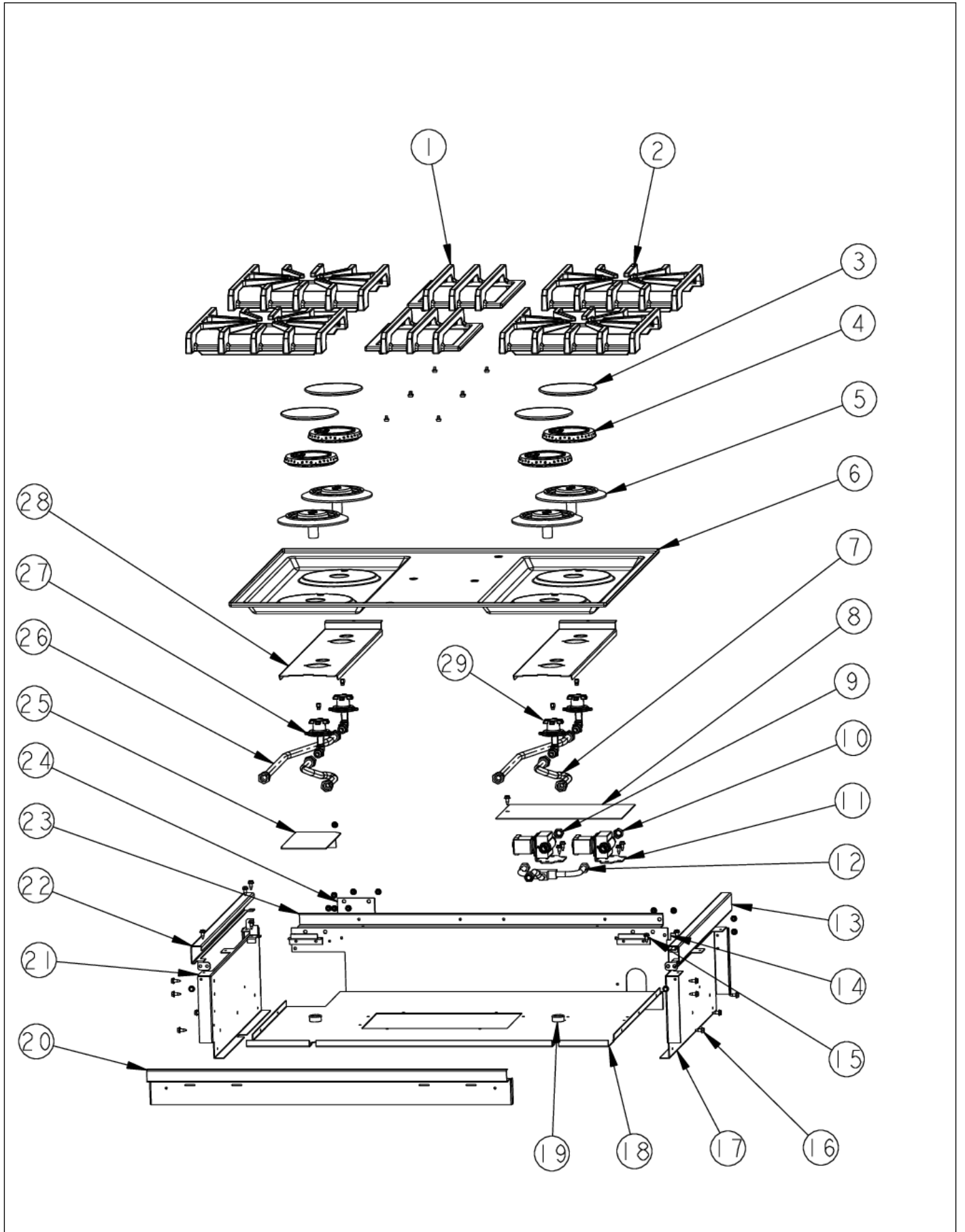
Item	Part No.	Name	Qty	Uom	NOTES
NI	007491-000	INSULATION, SIDE PANEL	2	EA	
NI	032157-000	PANEL, OUTER, 30"	1	EA	
NI	032131-000	PANEL, BACK 36"	1	EA	
NI	032138-000	COVER, REAR, 36" NON-SELF-CLEAN	1	EA	Not available online / Call for pricing and availability
NI	032179-000	CABINET, BACK,OTR, 30"	1	EA	Not available online / Call for pricing and availability
NI	032208-000	PANEL, BACK, OUTER, 36"	1	EA	Not available online / Call for pricing and availability
NI	032238-000	PANEL, BACK	1	EA	Not available online / Call for pricing and availability
NI	PD040005	SNAP BUSHING - 7/8"	1	EA	
NI	A2002654	ANTI-TIP DEVICE (VDSC)	1	EA	
NI	034927-000	BRACKET, ANTI-TIP	1	EA	
NI	034928-000	BRACKET, HOOK, ANTI-TIP	1	EA	

SURFACE COOKING AREA





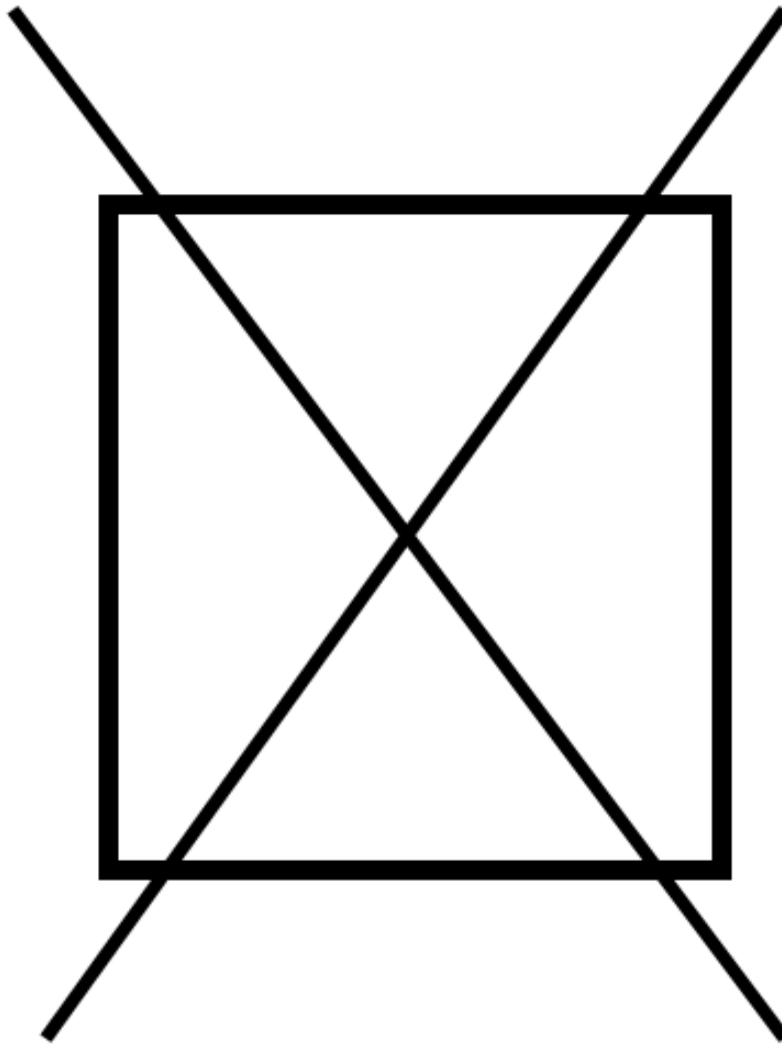
Item	Part No.	Name	Qty	Uom	NOTES
1	002907-000	CENTER GRATE, REDESIGN	2	EA	
Not Shown	NOTE	(BEFORE 12/4/14)		EA	
1	049426-000	GRATE, CENTER, ASM	2	EA	
Not Shown	NOTE	(ON OR AFTER 12/4/14)		EA	
NI	PD040075	RUBBER FOOT	8	EA	
Not Shown	NOTE	(BEFORE 12/4/14)		EA	
NI	049416-000	BUMPER, GRATE	8	EA	
Not Shown	NOTE	(ON OR AFTER 12/4/14)		EA	
2	007323-000	BURNER GRATE	4	EA	
Not Shown	NOTE	(BEFORE 11/21/14)		EA	
2	049420-000	GRATE, BURNER, ASM	4	EA	
Not Shown	NOTE	(ON OR AFTER 11/21/14)		EA	
NI	PD040075	RUBBER FOOT	16	EA	
Not Shown	NOTE	(BEFORE 11/21/14)		EA	
NI	049416-000	BUMPER, GRATE	16	EA	
Not Shown	NOTE	(ON OR AFTER 11/21/14)		EA	
3	PA080083	D BURNER CAP *MATTE BLACK*	4	EA	
4	018200-000	ADJUSTED SEALED BURNER HEAD	4	EA	
5	003322-040	SEALED BURNER BASE, TURNED FINISH	4	EA	
5	003322-041	SEALED BURNER BASE, PAINTED FINISH- GRAY	4	EA	
6	E9107413BK	MAIN TOP 30" *BK*	1	EA	
6	E9107413WH	MAIN TOP 30" *WH*	1	EA	
7	PB020192	10" FLEX TUBING W/CONNECTORS	1	EA	
8	007815-000	SHIELD, HEAT, SOLENOID	1	EA	
9	005372-000	BROIL TUBING	1	EA	
10	006338-000	BAKE TUBING	1	EA	





Item	Part No.	Name	Qty	Uom	NOTES
11	PA010139	F J T VALVE REPL PA010079	2	EA	
12	007502-000	MANIFOLD TUBING	1	EA	
13	002920-000	TOP TRIM RING, RH	1	EA	
14	004021-000	SUPPORT,TRIM,SIDE	2	EA	
15	007485-000	TRAY, INSL	1	EA	
16	003860-000	10-18 x .500 FASTNR,SCR,HXWH,STL,ZPLT	31	EA	
17	002755-000	BURNER BOX SIDE, RH	1	EA	
18	006958-000	PANEL, CTR	1	EA	
19	PD040005	SNAP BUSHING - 7/8"	2	EA	
20	002925-000	FRONT SUPPORT, BURNER BOX	1	EA	
NI	051431-000	VGSC536-6B / 4Q TROUGH KIT	1	EA	
Not Shown	NOTE	(FOR UNITS MANUFACTURED PRIOR TO SERIAL # 061114C10138291)		EA	
21	003481-000	BURNER BOX SIDE, LH	1	EA	
22	003649-000	TOP TRIM RING, LH	1	EA	
23	006035-000	SUPPORT, BACK	1	EA	
24	006687-000	REGULATOR COVER PLATE	1	EA	
25	004016-000	PLATE,SVCE,RGLT	1	EA	
26	PB020193	16" FLEX TUBING W/CONNECTORS	2	EA	
27	001394-042	15000 BTU NAT JETHOLDER	3	EA	
27	001394-046	12.5 K BTU LP JETHOLDER	3	EA	
28	002923-000	BURNER MODULE SUPPORT	2	EA	
29	001394-041	18500 BTU NAT JETHOLDER	1	EA	
29	001394-044	16.6 K BTU LP JETHOLDER	1	EA	

NON
ILLUSTRATED PART





Item	Part No.	Name	Qty	Uom	NOTES
NI	024606-000	WIRE, BAKE, ELECTRODE, ASM	1	EA	
NI	007531-000	WIRE HARNESS	1	EA	
NI	007537-000	PROBE HARNESS	1	EA	
NI	001754-000	HARNESS POWER DISCONNECT	1	EA	
NI	PE070036	NYLON CABLE TIES -7"	1	EA	
NI	024699-000	RTD JUMPER HARNESS	1	EA	
NI	028913-000	SERVICE DISCONNECT HARNESS REPLACEMENT	1	EA	
NI	024605-000	WIRE, BRL, ELECTRODE, ASM	1	EA	
NI	023341-000	IRIS HARNESS 24, 30	1	EA	
NI	023750-000	CORD, SUPPLY	1	EA	
NI	000647-000	IRIS IGNITOR WIRE, FRONT BURNER	1	EA	
NI	006766-000	IRIS IGNITOR WIRE, BACK BURNER	1	EA	
NI	006308-000	WIRE HARNESS, VGCC530	1	EA	
Not Shown	NOTE	(BEFORE 1/4/11)		EA	
NI	025987-000	HARN, VGCC 30	1	EA	
Not Shown	NOTE	(ON OR AFTER 1/4/11)		EA	
NI	031901-000	HARNESS, WIRE, VGSC530, SERVICE	1	EA	
NI	004133-000	CONTROL PANEL HARNESS	1	EA	



Appendix A:Pages Index

CAVITY INTERIOR 1
CONTROL AREA 2
DOOR ASSEMBLY 3
LOWER UNIT AND SIDE PANELS 4
OVEN ELECTRONICS 5
REAR SHEET METAL 6
SURFACE COOKING AREA 7
WIRING 8



Appendix B:Parts Index

000042-000	3	004688-000	3
000594-000	3	004691-000	3
000647-000	8	005102-000	1
001394-041	7	005269-000	2
001394-042	7	005270-000	2
001394-044	7	005280-000	4
001394-046	7	005311-000	1
001754-000	8	005315-000	5
002238-000	4	005329-000	1
002703-000	6	005369-000	3
002728-000	3	005372-000	7
002740-000	3	005464-000	5
002755-000	7	005503-002	4
002905-000	4	005503-003	4
002907-000	7	005503-004	4
002920-000	7	005503-005	4
002923-000	7	005503-006	4
002925-000	7	005503-007	4
002926-000	2	005503-008	4
003011-000	3	005503-009	4
003012-00	3	005503-010	4
003052-000	4	005503-011	4
003054-000	4	005503-012	4
003055-000	4	005503-013	4
003056-000	4	005503-014	4
003322-040	7	005503-015	4
003322-041	7	005503-016	4
003481-000	7	005503-017	4
003588-000	4	005503-018	4
003649-000	7	005503-019	4
003719-000	2	005503-020	4
003810-000	6	005503-021	4
003860-000	1, 4, 5, 6, 7	005503-022	4
004016-000	7	005503-023	4
004021-000	7	005503-024	4
004133-000	8	005503-025	4
004285-000	6	005503-026	4
004464-000	6	005503-027	4
004479-000	4	005506-002	4
004482-000	4	005506-003	4
		005506-004	4



005506-005	4	006952-000	6
005506-006	4	006958-000	7
005506-007	4	006959-000	5
005506-008	4	006961-000	6
005506-009	4	006962-000	6
005506-010	4	007008-000	1
005506-011	4	007147-000	2
005506-012	4	007278-000	1
005506-013	4	007323-000	7
005506-014	4	007361-002	4
005506-015	4	007361-003	4
005506-016	4	007361-004	4
005506-017	4	007361-005	4
005506-018	4	007361-006	4
005506-019	4	007361-008	4
005506-020	4	007361-009	4
005506-021	4	007361-010	4
005506-022	4	007361-012	4
005506-023	4	007361-013	4
005506-024	4	007361-015	4
005506-025	4	007361-016	4
005506-026	4	007361-017	4
005506-027	4	007361-018	4
005516-000	6	007361-019	4
005529-000	1	007361-020	4
005536-000	4	007361-021	4
005537-000	4	007361-022	4
006035-000	6, 7	007361-023	4
006114-000	5	007361-024	4
006198-000	4	007361-025	4
006199-000	4	007361-026	4
006308-000	8	007361-027	4
006313-000	2	007400-000	6
006338-000	7	007484-000	6
006637-000	6	007485-000	6, 7
006638-000	6	007486-000	6
006687-000	6, 7	007488-000	4
006744-000	4	007489-000	6
006766-000	8	007490-000	6
006949-000	6	007491-000	6
006950-000	5	007502-000	7



007531-000	8	023651-000	5
007537-000	8	023750-000	8
007583-000	3	024604-000	3
007815-000	7	024605-000	8
008026-000	1	024606-000	8
008415-000	2	024699-000	8
009331-000	2	025711-2057	2
012565-000	5	025987-000	8
012930-002	3	028913-000	8
012930-012	3	030823-000	3
013386-000	2	031679-000	1
015981-000	5	031901-000	8
018200-000	7	031961-000	6
020404-000	1	032123-000	6
020409-000	1	032131-000	6
023090-000	1	032138-000	6
023341-000	8	032157-000	6
023453-000	3	032179-000	6
023454-002	3	032208-000	6
023454-003	3	032238-000	6
023454-004	3	034927-000	6
023454-005	3	034928-000	6
023454-006	3	035881-000	2
023454-008	3	035887-000	2
023454-009	3	035893-000	2
023454-010	3	035955-000	4
023454-012	3	038426-000	4
023454-013	3	038577-002	4
023454-015	3	038577-003	4
023454-016	3	038577-004	4
023454-017	3	038577-005	4
023454-018	3	038577-006	4
023454-019	3	038577-008	4
023454-020	3	038577-009	4
023454-021	3	038577-010	4
023454-022	3	038577-012	4
023454-023	3	038577-013	4
023454-024	3	038577-015	4, 4
023454-025	3	038577-017	4, 4
023454-026	3	038577-019	4
023454-027	3	038577-020	4



038577-021	4	PA070003	2
038577-022	4	PA080083	7
038577-023	4	PB020192	7
038577-024	4	PB020193	7
038577-025	4	PB040170	1
038577-026	4	PB040171	1
038577-027	4	PB060030	1
040345-000	1	PB060044	1
040736-000	1	PD010003	1, 3, 6
040863-000	1	PD020002	3
041445-000	6	PD020004	3, 5
044178-000	4	PD020013	5
049416-000	7, 7	PD020014	3
049420-000	7	PD020032	2
049426-000	7	PD020046	2, 6
049718-402	1	PD020048	1
050172-000	2	PD020056	6
051431-000	7	PD020061	5
068456-000	1	PD020063	3, 4
A1002596	1	PD020067	1
A20012649	5	PD020076	5, 6
A2002189	3	PD030010	1
A2002595	1	PD040005	5, 6, 6, 7
A2002654	6	PD040075	7, 7
A2004428	1	PD120044	2
A2004429	4	PE010016	3
A2004439	1	PE050023	2
A2007943	3	PE050024	2
B2005589	1	PE050057	1
E9107413BK	7	PE050208	5
E9107413WH	7	PE050250	5
E9107933	1	PE060064	3
E9107934	1	PE070036	8
G3001876	1	PJ030034	2
G9102745	3	PJ030035	2
G9104482	1	PJ030039	5
M0210443	1		
PA010012	2		
PA010139	7		
PA020056	5		
PA020058	2, 2		