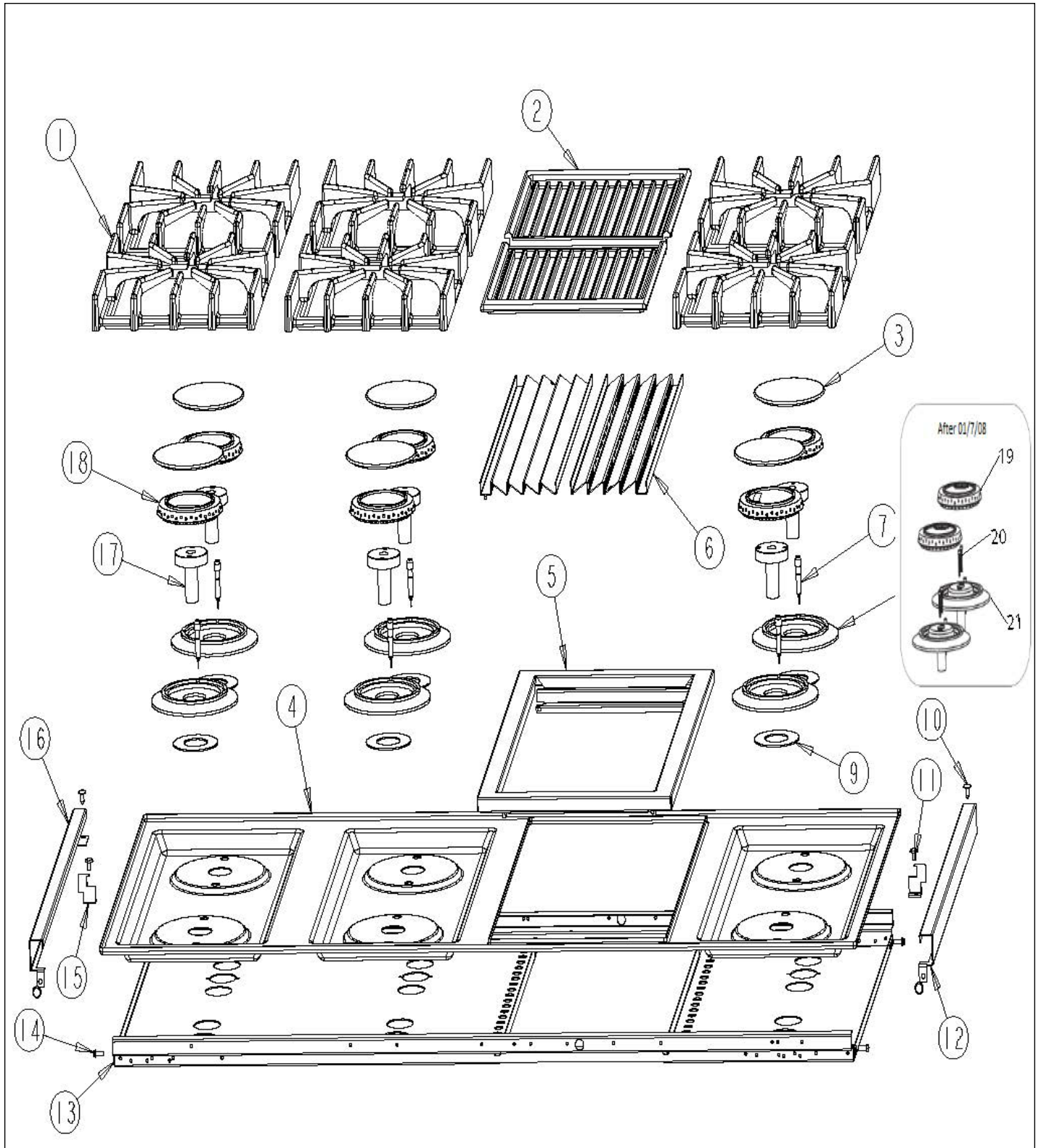


**VGSC487-6Q**

BURNER BOX EXTERIOR AREA .....	1
BURNER BOX INTERIOR AREA .....	2
CONTROL PANEL AREA .....	3
DRIP TRAY AREA .....	4
GRILL SUBASSEMBLY AREA .....	5
LH DOOR ASSEMBLY .....	6
LH OVEN LOWER CAVITY AREA .....	7
LH OVEN MAIN CAVITY AREA .....	8
LH OVEN UPPER AREA .....	9
LOWER UNIT AND SIDE PANELS .....	10
REAR ELECTRONICS .....	11
REAR MAIN HARNESS .....	12
REAR UNIT AND AIR VENTING .....	13
RH DOOR .....	14
RH OVEN LOWER CAVITY AREA .....	15
RH OVEN MAIN CAVITY AREA .....	16
RH OVEN UPPER AREA .....	17
SIMPLE HARNESSES 1 .....	18
SIMPLE HARNESSES 2 .....	19
SIMPLE WIRING .....	20
Appendix A:Pages Index .....	A
Appendix B:Parts Index .....	B

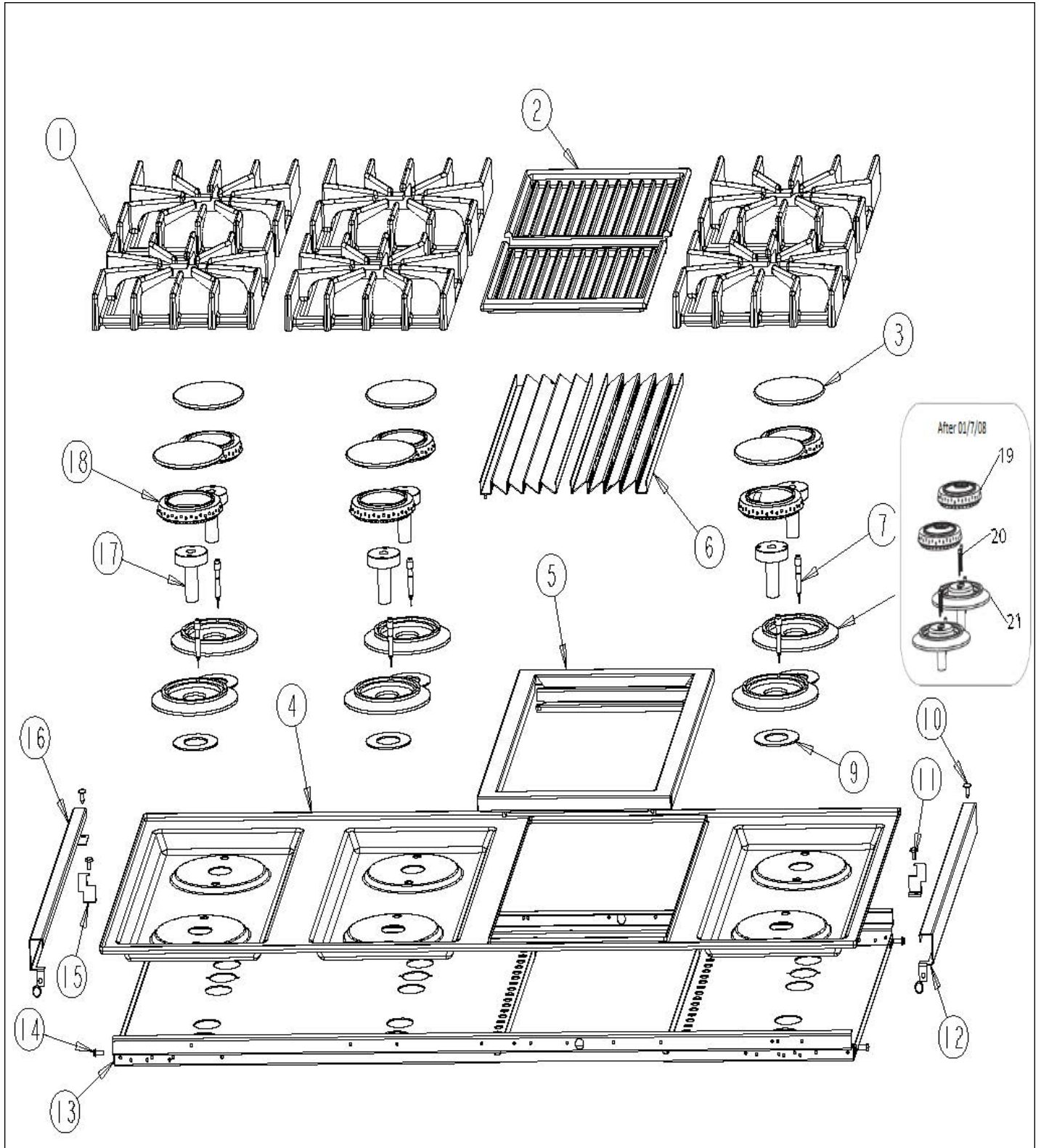


BURNER BOX EXTERIOR AREA



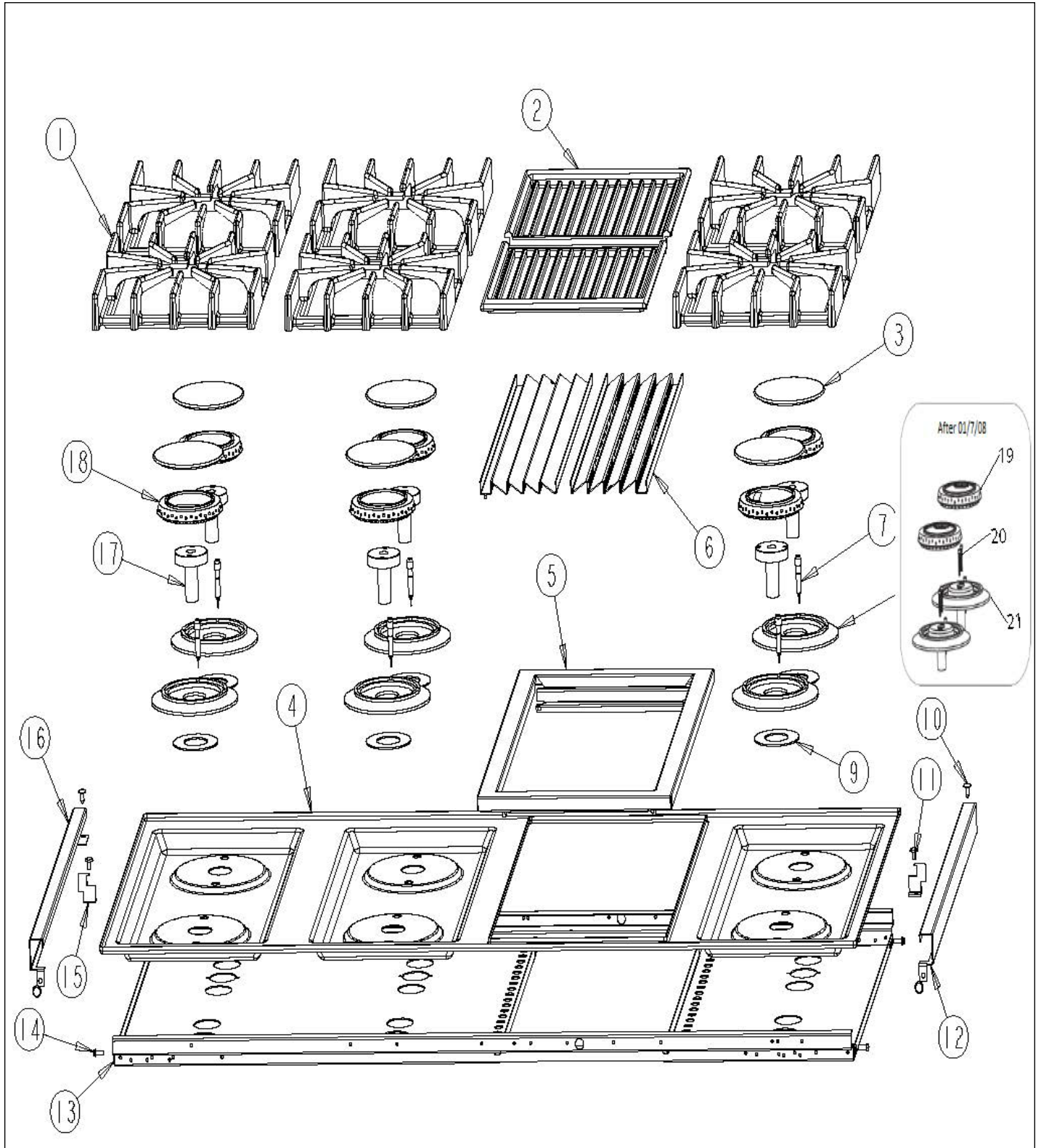


Item	Part No.	Name	Qty	Uom	NOTES
1	PA060054	Burner Grate - BK	1	EA	
Not Shown	PA060062	Burner Grate - GR	1	EA	
2	PA060058	GRILL GRATE - MATT *BK* RE PA060028	1	EA	
Not Shown	PA060059	GRILL GRATE -MATT *GR* RE PA060029	1	EA	
3	PA080083	D BURNER CAP *MATTE BLACK*	1	EA	
Not Shown	PA080086	Burner Cap - GR	1	EA	
4	E9109801AL	MAIN TOP - AL	1	EA	Not available online / Call for pricing and availability
Not Shown	E9109801BK	48" SEALED COOKTOP 6BG & 6BQ *BK*	1	EA	
Not Shown	E9109801BT	MAIN TOP - BT	1	EA	Not available online / Call for pricing and availability
Not Shown	E9109801CB	MAIN TOP - CB	1	EA	Not available online / Call for pricing and availability
Not Shown	E9109801EP	MAIN TOP - EP	1	EA	Not available online / Call for pricing and availability
Not Shown	E9109801FG	MAIN TOP - FG	1	EA	Not available online / Call for pricing and availability
Not Shown	E9109801GG	MAIN TOP - GG	1	EA	Not available online / Call for pricing and availability
Not Shown	E9109801LE	MAIN TOP - LE	1	EA	Not available online / Call for pricing and availability
Not Shown	E9109801MJ	MAIN TOP - MJ	1	EA	Not available online / Call for pricing and availability
Not Shown	E9109801SG	48" SEALED COOKTOP 6BG & 6BQ *SG*	1	EA	NO LONGER AVAILABLE, Not available online / Call for pricing and availability





Item	Part No.	Name	Qty	Uom	NOTES
Not Shown	E9109801VB	MAIN TOP - VB	1	EA	Not available online / Call for pricing and availability
Not Shown	E9109801WH	48" SEALED COOKTOP 6BG & 6BQ *WH*	1	EA	NO LONGER AVAILABLE
5	G9109808	GRILL SUPPORT ASSY *BK*	1	EA	
Not Shown	G9109808AL	GRILL GRATE SUPPORT ASSEMBLY - AL	1	EA	Not available online / Call for pricing and availability
Not Shown	G9109808BT	GRILL GRATE SUPPORT ASSEMBLY - BT	1	EA	Not available online / Call for pricing and availability
Not Shown	G9109808CB	GRILL GRATE SUPPORT ASSEMBLY - CB	1	EA	
Not Shown	G9109808EP	GRILL GRATE SUPPORT ASSEMBLY - EP	1	EA	Not available online / Call for pricing and availability
Not Shown	G9109808FG	GRILL GRATE SUPPORT ASSEMBLY - FG	1	EA	Not available online / Call for pricing and availability
Not Shown	G9109808GG	GRILL GRATE SUPPORT ASSEMBLY - GG	1	EA	Not available online / Call for pricing and availability
Not Shown	G9109808LE	GRILL GRATE SUPPORT ASSEMBLY - LE	1	EA	Not available online / Call for pricing and availability
Not Shown	G9109808MJ	GRILL GRATE SUPPORT ASSEMBLY - MJ	1	EA	Not available online / Call for pricing and availability
Not Shown	G9109808SG	GRILL GRATE SUPPORT ASSEMBLY - SG	1	EA	Not available online / Call for pricing and availability
Not Shown	G9109808VB	GRILL GRATE SUPPORT ASSEMBLY - VB	1	EA	Not available online / Call for pricing and availability
Not Shown	G9109808WH	GRILL SUPPORT ASSY *WH*	1	EA	NO LONGER AVAILABLE
6	E9101130BK	GRILL SMOKE GENERATOR	1	EA	
7	N/A	Igniter	1	EA	

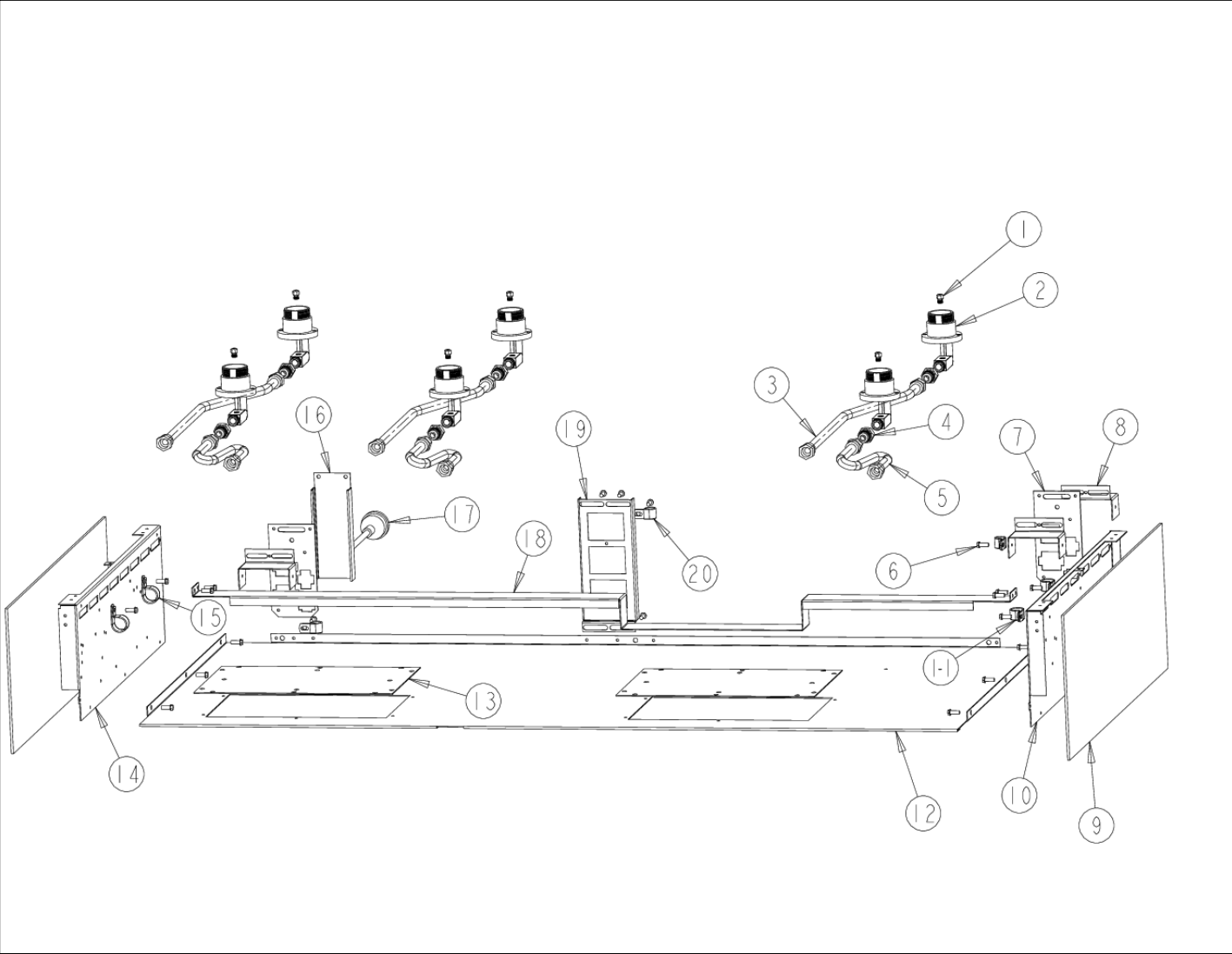






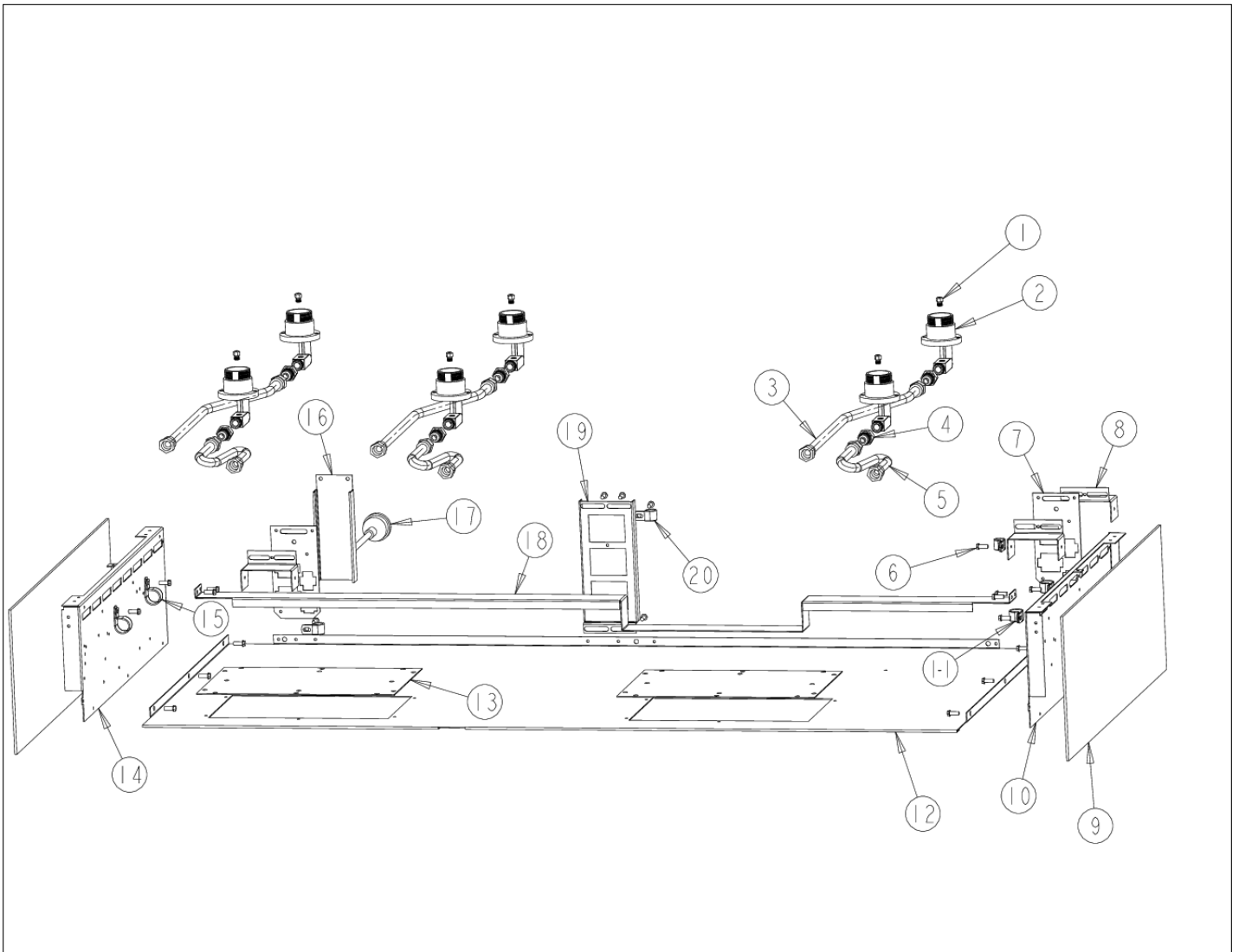
Item	Part No.	Name	Qty	Uom	NOTES
Not Shown	NOTE	(MUST ORDER ITEM 8)		EA	
8	PB050081	BURNER BASE ASM	1	EA	
Not Shown	NOTE	(BEFORE 01/07/08)		EA	
9	N/A	GASKET	1	EA	
Not Shown	NOTE	(MUST ORDER ITEM 8)		EA	
10	PD020002	10 X 1/2 PH.TR.HD.SMS.	1	EA	
11	PD020033	SRW-#10-24X1/2"(23)PH.WFR HD (NKL)	1	EA	
12	B20012923	Side Trim - RH (SS)	1	EA	
Not Shown	C93012923BR	Side Trim - RH (BR)	1	EA	
13	A20011234	BURNER BOX SUPPORT	1	EA	Not available online / Call for pricing and availability
14	PD020060	10 X 1/2" (5/16)HEX WSHER HD.(T)A	1	EA	
15	A2007858	SIDE TRIM BRKT	1	EA	
16	B20012924	Side Trim - LH (SS)	1	EA	
Not Shown	C93012924BR	Side Trim - LH (BR)	1	EA	
17	PA010100	Burner Venturi	1	EA	
Not Shown	NOTE	(BEFORE 01/07/08)		EA	
18	PB050063	Burner Head	1	EA	
19	018200-000	ADJUSTED SEALED BURNER HEAD	1	EA	
20	009197-000	#6-32 X 5/8 18-8 SS NC SOC CAP	1	EA	
21	003322-040	SEALED BURNER BASE, TURNED FINISH	1	EA	

BURNER BOX INTERIOR AREA





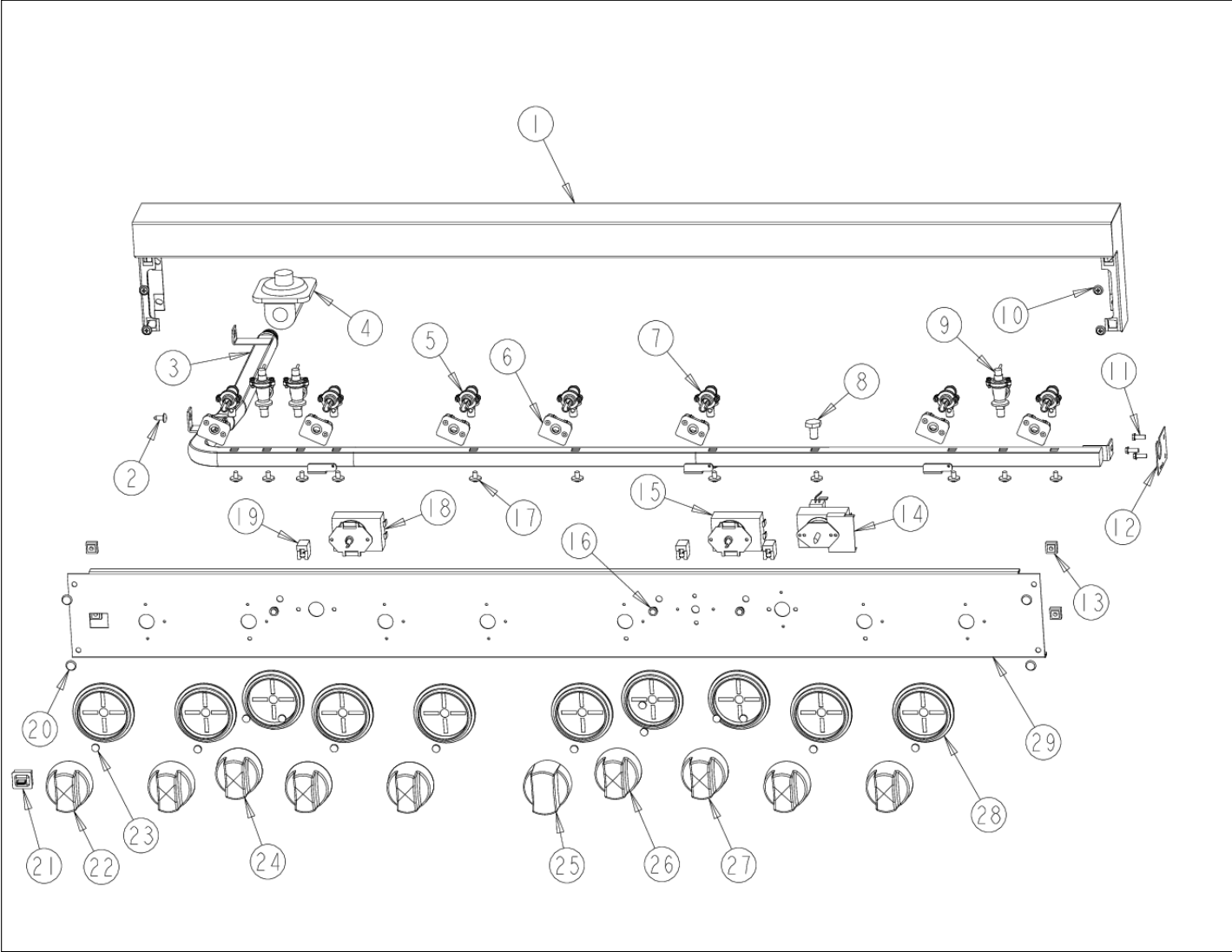
Item	Part No.	Name	Qty	Uom	NOTES
1	PB040194	Orifice - Nat.	1	EA	
Not Shown	PB040217	L.P. ORIFICE	1	EA	
2	PA080075	Burner Body	1	EA	
Not Shown	NOTE	(BEFORE 01/07/08)		EA	
2	001394-042	15000 BTU NAT JETHOLDER	1	EA	
Not Shown	NOTE	(ON OR AFTER 01/07/08)		EA	
2	001394-043	13500 BTU LP JETHOLDER	1	EA	
Not Shown	NOTE	(ON OR AFTER 01/07/08)		EA	
3	PB020193	16" FLEX TUBING W/CONNECTORS	1	EA	
4	PA050086	5/8" MALE FLARE FITTING	1	EA	Not available online / Call for pricing and availability
5	PB020192	10" FLEX TUBING W/CONNECTORS	1	EA	
6	PD020060	10 X 1/2" (5/16)HEX WSHR HD.(T)A	1	EA	
7	A1002492	PLUG BRKT	1	EA	NO LONGER AVAILABLE, Not available online / Call for pricing and availability
8	A20013307	OUTLET COVER	1	EA	NO LONGER AVAILABLE, Not available online / Call for pricing and availability
9	PB070140	BOARD INSULATION 8""X24""	1	EA	NO LONGER AVAILABLE, Not available online / Call for pricing and availability
10	A2002544	BURNER BOX SIDE RH (VDSC48)	1	EA	NO LONGER AVAILABLE
11	PD030119	INSULATED CLAMP	1	EA	NO LONGER AVAILABLE, Not available online / Call for pricing and availability



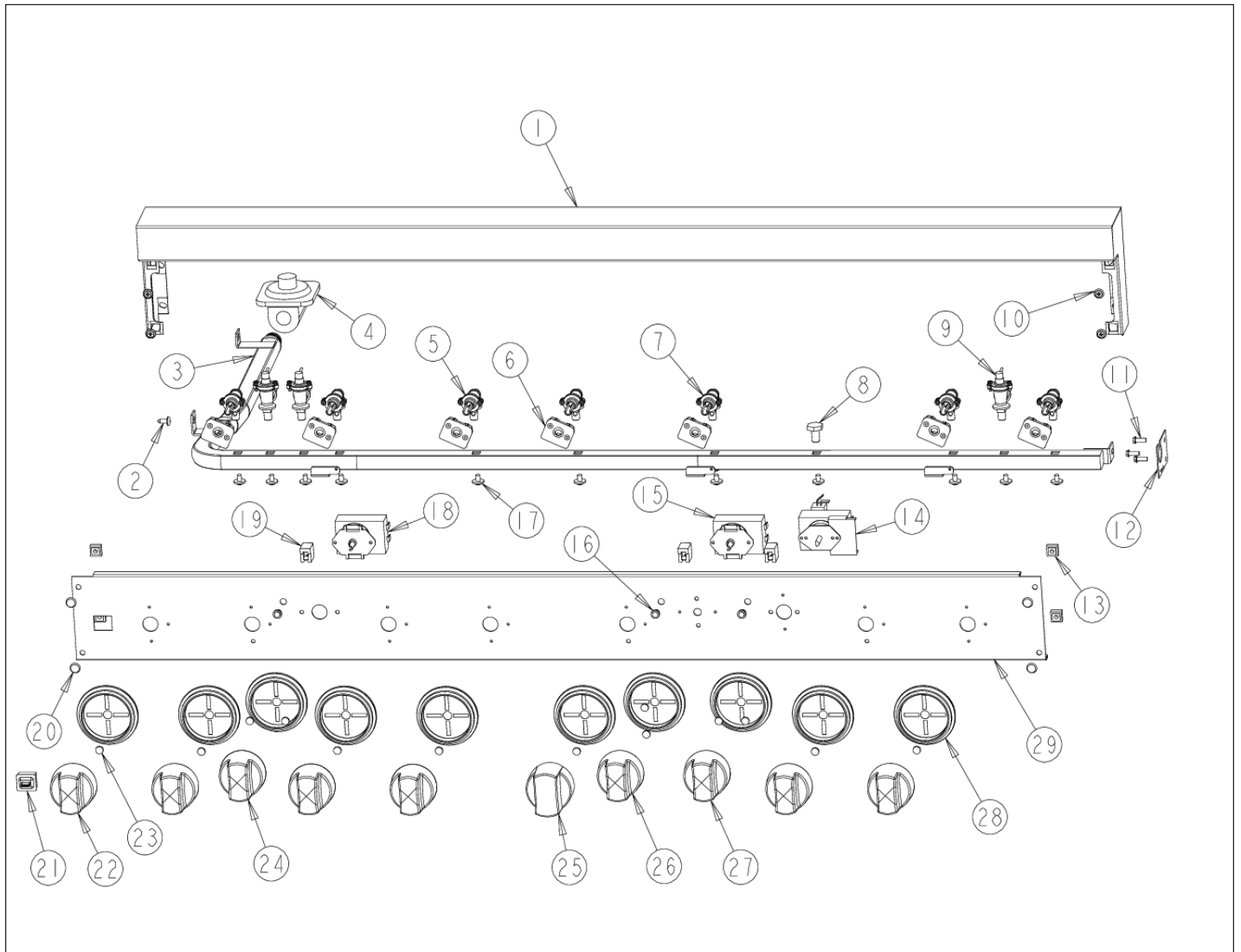


Item	Part No.	Name	Qty	Uom	NOTES
12	A2002539	BURNER BOX INSULATOR SHIELD (VDSC48	1	EA	NO LONGER AVAILABLE, Not available online / Call for pricing and availability
13	A1006344	DOOR LOCK ACCESS PANEL 48"	1	EA	NO LONGER AVAILABLE
14	A2002545	BURNER BOX SIDE LH (VDSC48)	1	EA	NO LONGER AVAILABLE, Not available online / Call for pricing and availability
15	PD030109	INSULATED CLAMP	1	EA	
16	A20014424	TERMINAL COVER	1	EA	NO LONGER AVAILABLE, Not available online / Call for pricing and availability
17	G4008493	SUPPLY CORD ASSY- VGSU	1	EA	
18	A20014430	GAS TUBE SUPT. BRACE (VGSC4876Q)	1	EA	NO LONGER AVAILABLE, Not available online / Call for pricing and availability
19	A20013319	SUPPORT BRACKET	1	EA	NO LONGER AVAILABLE
20	PD030118	INSULATED CLAMP	1	EA	

CONTROL PANEL AREA



Item	Part No.	Name	Qty	Uom	NOTES
1	G3009843	SEALED LANDING LEDGE ASSY 48"	1	EA	
2	PD020002	10 X 1/2 PH.TR.HD.SMS.	1	EA	
3	002569-000	UNIVERSAL 48" MANIFOLD	1	EA	
4	PA070003	PRESSURE REGULATOR	1	EA	
5	003517-000	PA010158 VALVE AND BOLT KIT	1	EA	
6	PA020045	Spark Ignition Switch	1	EA	
7	PA010185	GRILL VALVE - NLA	1	EA	
8	PA010012	ROPER PLUG	1	EA	
9	007147-000	SHUTOFF VALVE ASSY	1	EA	
10	PD020073	SRW #10 X 24 X 3/8 WAFER HD TYPE23	1	EA	
11	PD020060	10 X 1/2" (5/16)HEX WSHER HD.(T)A	1	EA	
12	A1001138	MANIFOLD BRKT	1	EA	NO LONGER AVAILABLE, Not available online / Call for pricing and availability
13	PD030005	SELF RETAINING NUT	1	EA	
14	PB010186	EK39 THERMOSTAT (SELF-CLEAN)	1	EA	
15	PJ030015	6 POS. SELECTOR SWITCH	1	EA	NO LONGER AVAILABLE
16	PE050023	OVEN IND. LIGHT (LENS & BEZEL)	1	EA	
17	PD010012	1/4 x 3/8 VALVE BOLT	1	EA	
18	PB010035	THERMOSTAT BAKE / GRIDDLE	1	EA	
19	PE050024	OVEN IND. LIGHT (LIGHT HOUSING)	1	EA	
<p>Comments for Part Num. PE050024</p> <p>haarnink@vikingrange.com on Jan 14, 2019</p> <p>please note that the indicator light is now part 043135-000 but needs the Jumper harness 051443-000. and second option there are units in the field with a 230V indicator light part number 036566-000.</p> <p>please check this for all "E" module ranges/Tops</p>					
20	PD020033	SRW-#10-24X1/2"T(23)PH.WFR HD (NKL)	1	EA	

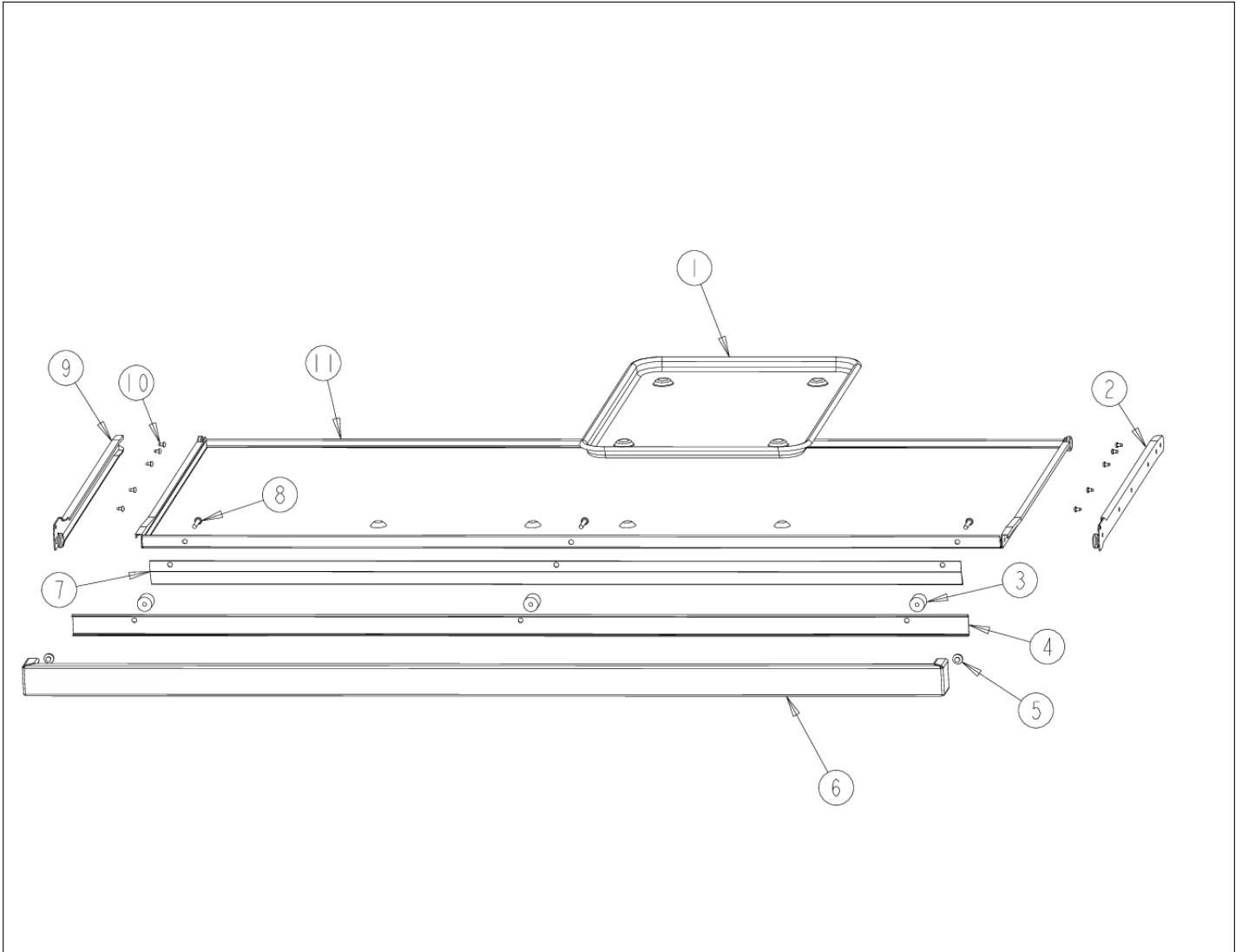






Item	Part No.	Name	Qty	Uom	NOTES
21	PE050016	OVEN LIGHT SWITCH - *BK* (WES-GAR)	1	EA	
Not Shown	PE050017	OVEN LIGHT SWITCH - *WH* (WES-GAR)	1	EA	
22	PB010206	TOP BURNER KNOB BK	1	EA	
Not Shown	PB010207	TOP BURNER KNOB WH	1	EA	Not available online / Call for pricing and availability
23	PD020044	#8-32 X 1/4" PH. TR. HD. M.S.	1	EA	
24	PB010101	THERMOSTAT BAKE KNOB N/S *BK*	1	EA	
Not Shown	PB010102	THERMOSTAT BAKE KNOB N/S *WH*	1	EA	NO LONGER AVAILABLE
25	PA010039	TOP GRILL KNOB*BK* (VGRC) (N/STYLE)	1	EA	
Not Shown	PA010040	TOP GRILL KNOB*WH* (VGRC) (N/STYLE)	1	EA	
26	PA010080	SELECTOR KNOB SELF CLEAN *BK*	1	EA	
Not Shown	PA010081	SELECTOR KNOB SELF CLEAN *WH*	1	EA	
27	PB010187	THERMOSTAT KNOB SELF CLEAN *BK*	1	EA	
Not Shown	PB010188	THERMOSTAT KNOB SELF CLEAN *WH*	1	EA	NO LONGER AVAILABLE
28	050172-000	BEZEL, KNOB	1	EA	
Not Shown	PB010209	Bezel - BR	1	EA	
29	B9205597	VGSC4866Q CONTROL PANEL	1	EA	

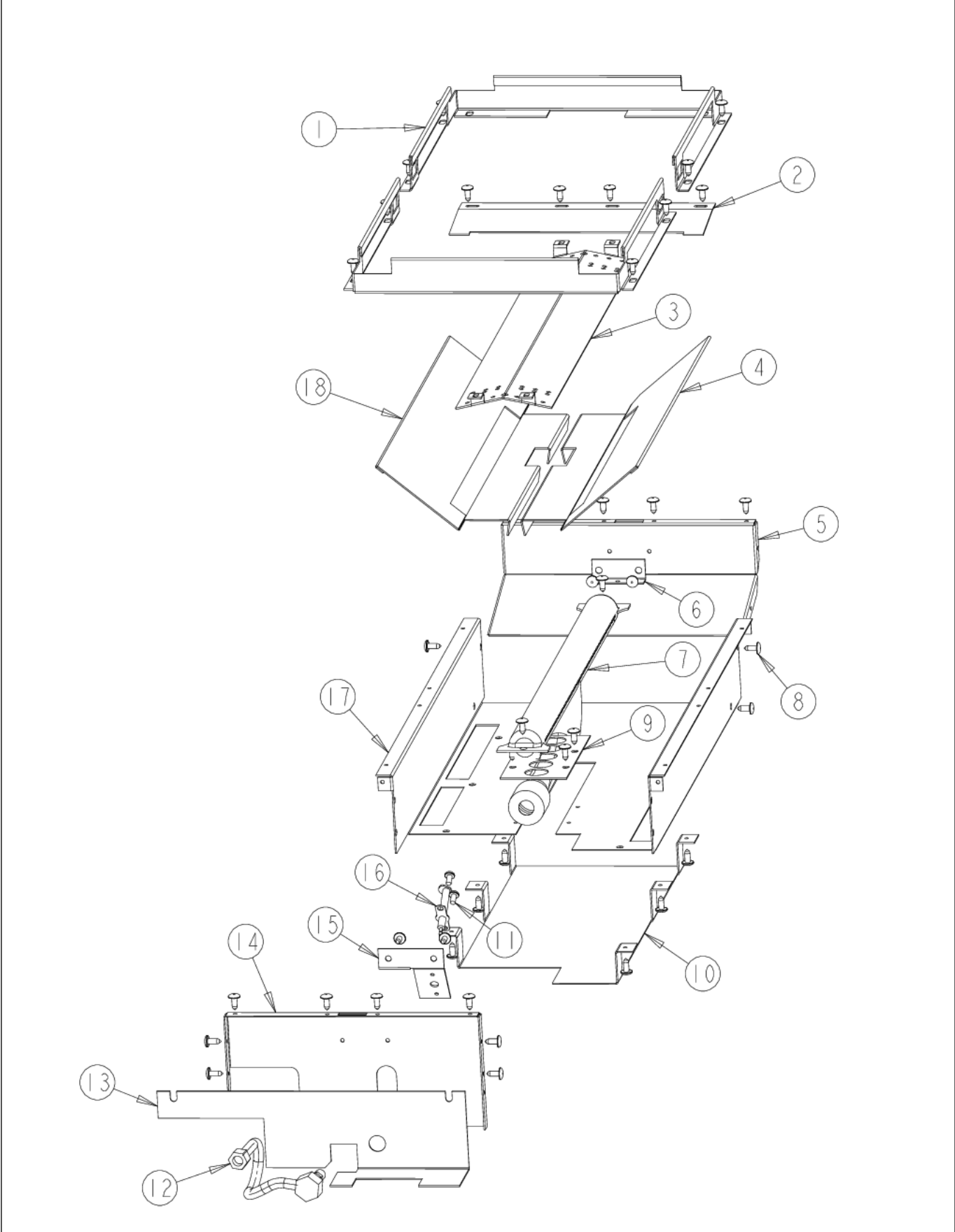
DRIP TRAY AREA





Item	Part No.	Name	Qty	Uom	NOTES
1	J2101749	GREASE PAN	1	EA	
2	PK000008	Drip Tray Guide - RH	1	EA	NO LONGER AVAILABLE
3	PD040028	BUSHING(.194ID/.750OD/.750L ONG)	1	EA	
4	A20010693	DRIP TRAY HANDLE BACK 48	1	EA	
5	PD040004	GROMMET BUMPER	1	EA	
6	G30010697	DRIP TRAY HANDLE ASSY 48"	1	EA	
Not Shown	G93011461PVD	DRIP TRAY HANDLE ASSY 48" PVD - NLA	1	EA	
7	B20010152	DRIP TRAY SHIELD, 48"	1	EA	NO LONGER AVAILABLE
8	PD020079	#10 X 1 1/4 PH. PAN HD. T(A) NYLOK	1	EA	
9	PK000007	DRIP TRAY GUIDE - LH (VGRT)	1	EA	NO LONGER AVAILABLE
10	PD020006	' #6-32 X 1/4" PH.PAN HD. T(F)	1	EA	
11	G30013336	48" DRIP TRAY ASSY. 6Q &4GQ - NLA	1	EA	

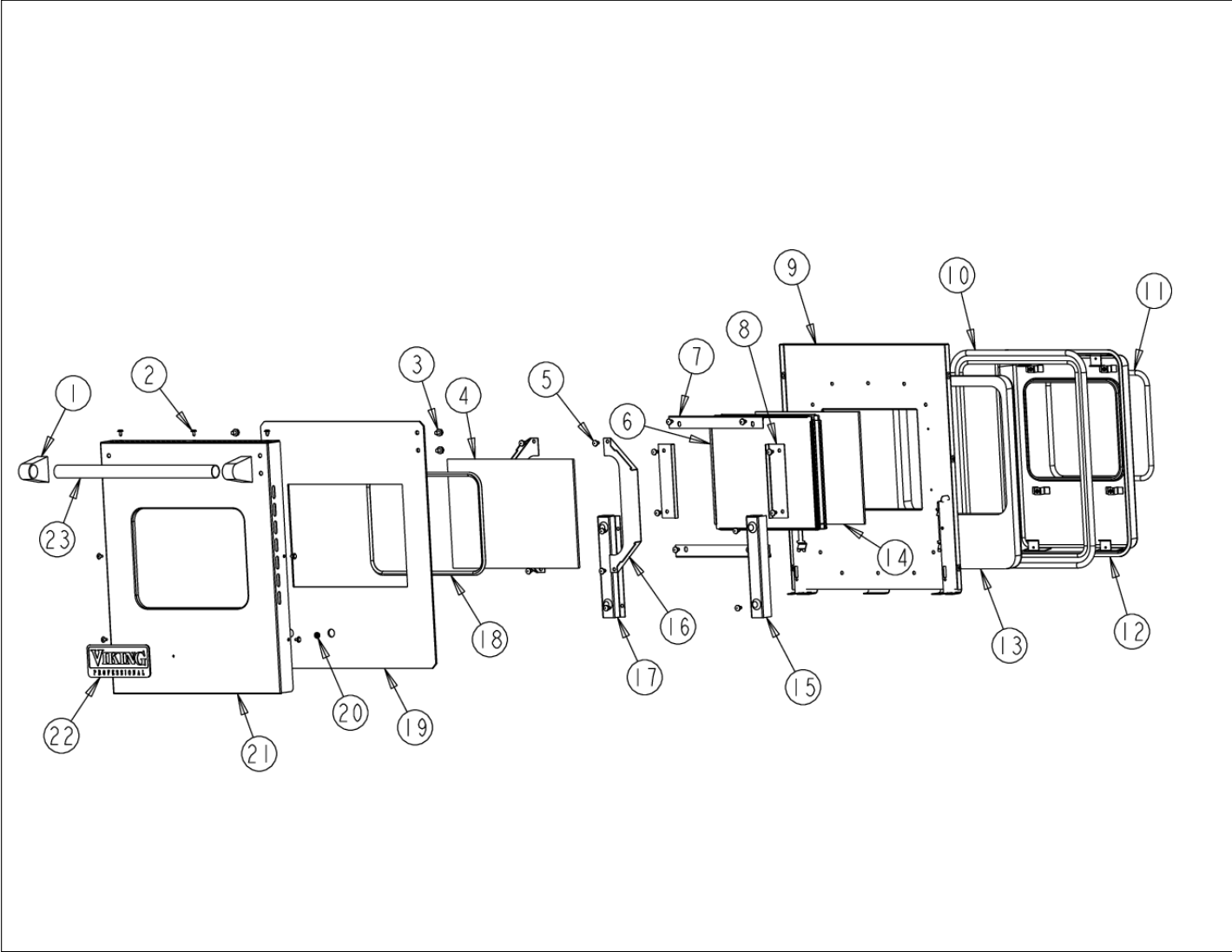
GRILL SUBASSEMBLY AREA



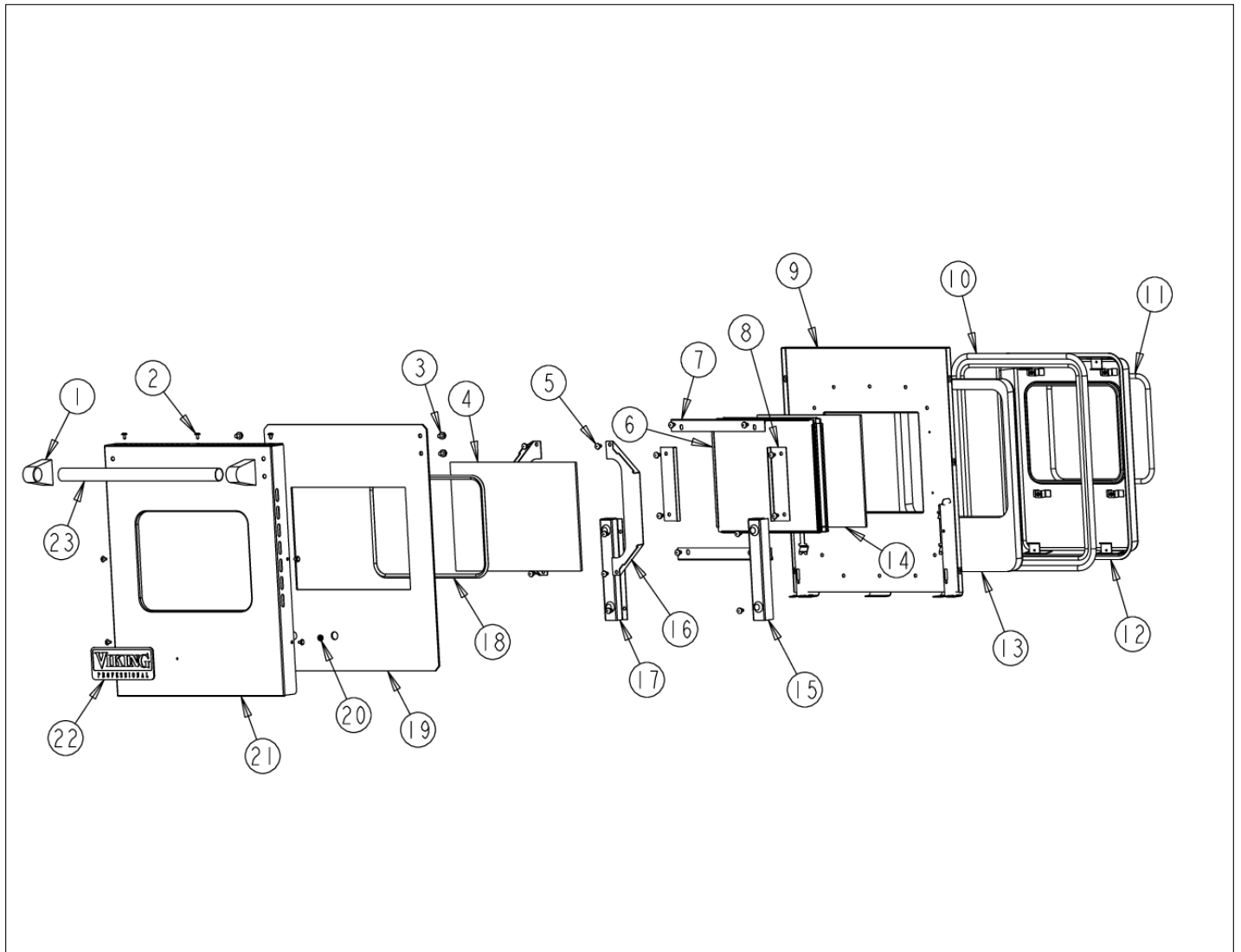


Item	Part No.	Name	Qty	Uom	NOTES
1	A2007871	SHIELD GRATE BRACKET	1	EA	NO LONGER AVAILABLE
2	A20010162	SHIELD BRACE	1	EA	
3	G30012657	FLAME SHIELD ASSEMBLY	1	EA	
4	B20010163	HEAT DEFLECTOR	1	EA	
5	A2001855	GRILL BACK - (VGRC605)	1	EA	
6	A2001132	REAR GRILL BURNER BRKT (VGRT)	1	EA	
7	PB050077	GRILL BURNER	1	EA	
8	PD020002	10 X 1/2 PH.TR.HD.SMS.	1	EA	
9	A1007861	Griddle Venturi Cover	1	EA	Not available online / Call for pricing and availability
10	A2001863	GRILL BTM SHIELD (VGRC605)	1	EA	
11	PD020004	10X3/8PH.HD.TYPE 25 REPL PD040125	1	EA	
12	PB020025	TUBING-GRILL (REVISED) REP PB020021	1	EA	
13	A20010470	Component Shield	1	EA	
14	A2001631	GRILL BOX FRONT (VGRC)	1	EA	
15	A2001633	GRILL FRONT SPARKER BRKT (VGRC)	1	EA	
16	PA020028	SPARK IGNITER	1	EA	
17	A2007863	GRILL BOX	1	EA	NO LONGER AVAILABLE, Not available online / Call for pricing and availability
18	B2009846	HEAT DEFLECTOR	1	EA	

LH DOOR ASSEMBLY



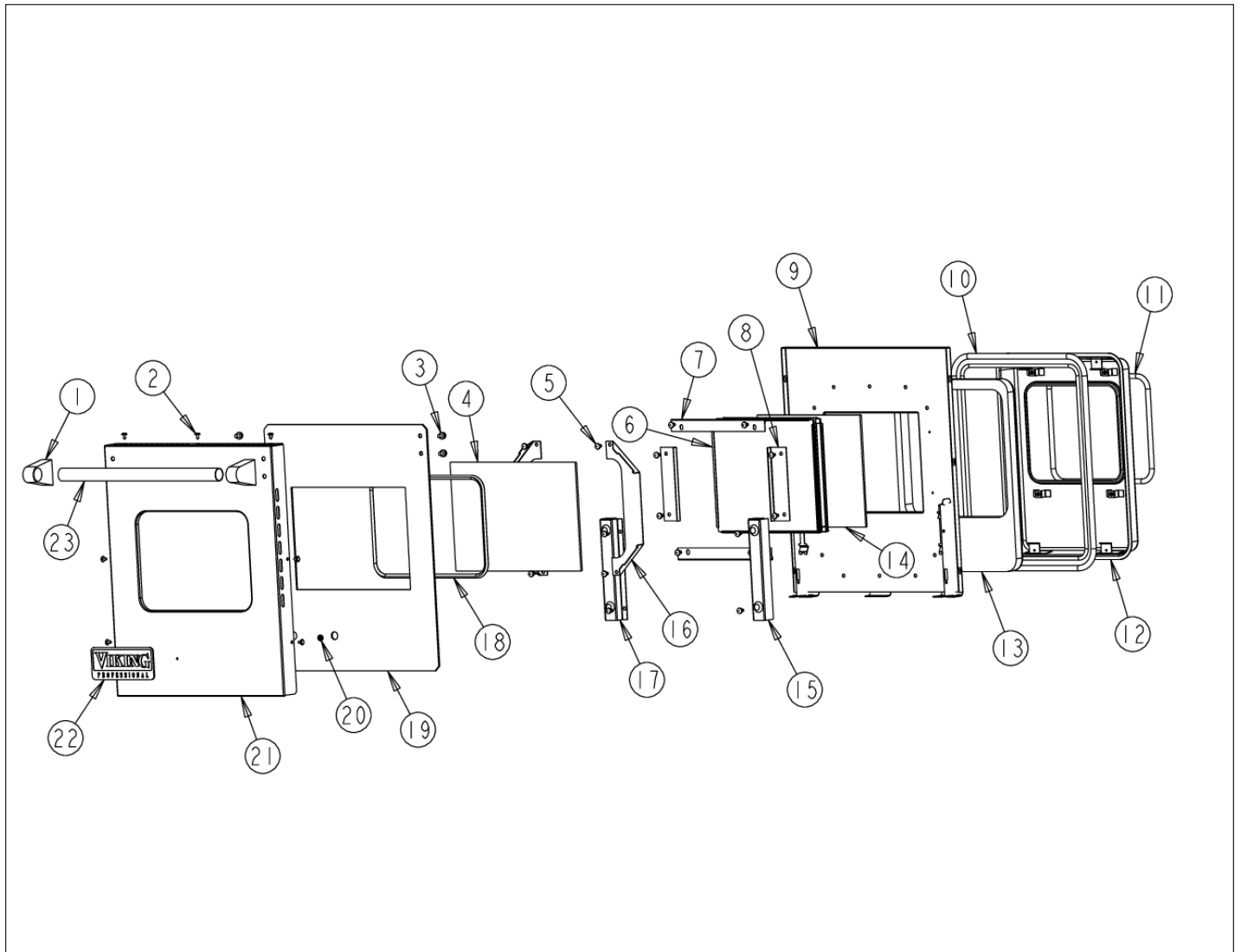
Item	Part No.	Name	Qty	Uom	NOTES
1	000268-000	HANDLE ENDCAP	1	EA	
Not Shown	PE030001PVD	END CAP DOOR HANDLE *BR	1	EA	
2	PD020032	SRW-8(A)X3/8"PH.WFR HD 7/16DIA*NICL	1	EA	
3	PD010019	BLT-1/4-20X3/8"HEX WASHER SERATED	1	EA	
4	PE060049	GLASS LH *TE* DF48DOOR	1	EA	
5	PD020002	10 X 1/2 PH.TR.HD.SMS.	1	EA	
6	PE060062	WINDOW PACK, SELF CLEANING OVEN	1	EA	
7	A2007942	GLASSPACK BRACKET, MEDIUM	1	EA	
8	A2002189	DOOR GLASS STANDOFF (VDSC)	1	EA	
9	H9105672	OVEN DR LINER ASSY LH (VGSC48)	1	EA	NO LONGER AVAILABLE
10	000623-000	DOOR GASKET(3/8"DIA.) (VDSC)	1	EA	
11	000594-000	BLACK FIBERGLASS ROPE 3/8	1	EA	
12	H9102507	DOOR PLUG ASSY LH (VDSC48)	1	EA	Not available online / Call for pricing and availability
13	PB070076	WOOL INSULATION 1" X 21" X 3'	1	EA	
14	PE060032	GLASS (HEAT BARRIER) LH DF48DOOR	1	EA	
15	A2002498	HINGE POCKET COVER RH	1	EA	
16	E9102668	WINDOW BRKT (O/S DOOR GLASS)	1	EA	Not available online / Call for pricing and availability
17	A2002499	HINGE POCKET COVER LH	1	EA	
18	PE060046	J-MOLD LH SS (DF48 DOOR)	1	EA	
Not Shown	PE060048	J-MOLD LH *BR* (DF48 DOOR)	1	EA	NO LONGER AVAILABLE
19	J1002506	OVEN DR HEAT SINK LH (VDSC48)	1	EA	
20	PD030006	CAPPED WASHER PAL NUT	1	EA	
21	B2002504	O/S DOOR PANEL LH *SS* (VDSC48)	1	EA	



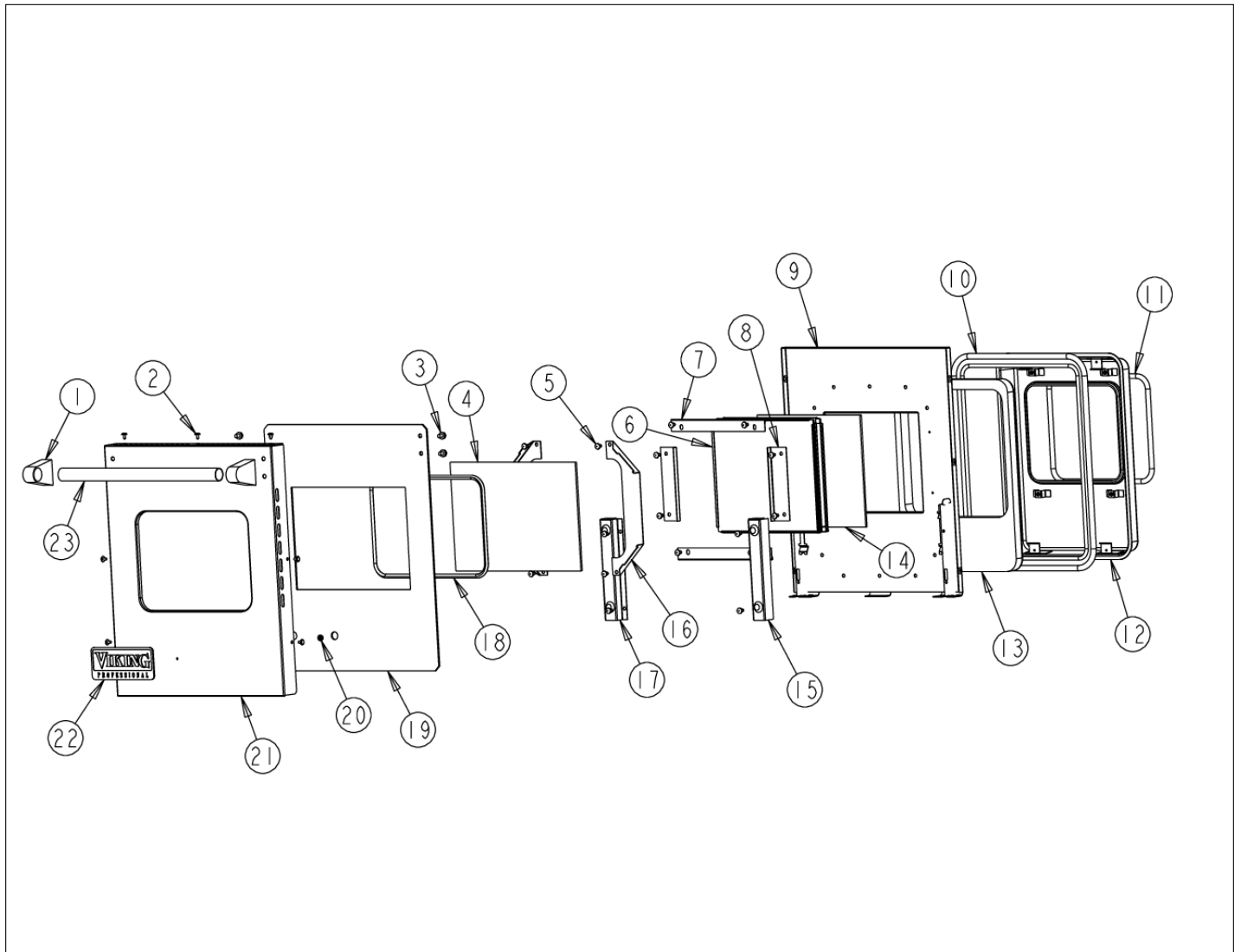




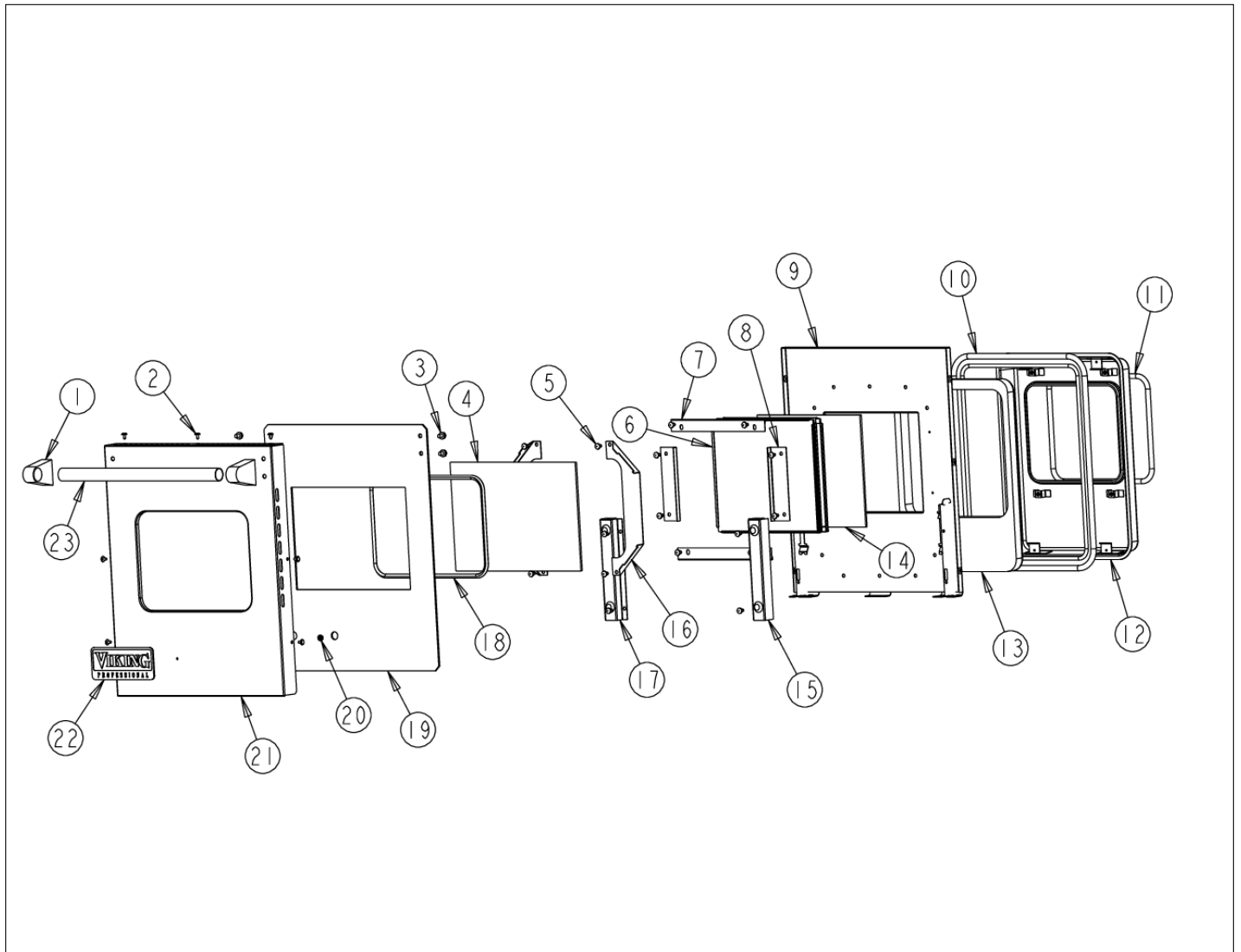
Item	Part No.	Name	Qty	Uom	NOTES
Not Shown	C9002504AL	O/S DOOR PANEL-LH *AL* (VDSC48)	1	EA	NO LONGER AVAILABLE, Not available online / Call for pricing and availability
Not Shown	C9002504BK	O/S DOOR PANEL-LH *BK* (VDSC48)	1	EA	
Not Shown	C9002504BT	O/S DOOR PANEL-LH *BT* (VDSC48)	1	EA	NO LONGER AVAILABLE
Not Shown	C9002504BU	O/S DOOR PANEL-LH *BU* (VDSC48)	1	EA	
Not Shown	C9002504CB	O/S DOOR PANEL-LH *CB* (VDSC48)	1	EA	NO LONGER AVAILABLE
Not Shown	C9002504EP	O/S DOOR PANEL-LH *EP* (VDSC48)	1	EA	NO LONGER AVAILABLE, Not available online / Call for pricing and availability
Not Shown	C9002504FG	O/S DOOR PANEL-LH *FG* (VDSC48)	1	EA	NO LONGER AVAILABLE, Not available online / Call for pricing and availability
Not Shown	C9002504GG	O/S DOOR PANEL-LH *GG* (VDSC48)	1	EA	
Not Shown	C9002504LE	O/S DOOR PANEL-LH *LE* (VDSC48)	1	EA	NO LONGER AVAILABLE
Not Shown	C9002504MJ	O/S DOOR PANEL-LH *MJ* (VDSC48)	1	EA	NO LONGER AVAILABLE, Not available online / Call for pricing and availability
Not Shown	C9002504SG	O/S DOOR PANEL-SG *SG* (VDSC48)	1	EA	Not available online / Call for pricing and availability
Not Shown	C9002504VB	O/S DOOR PANEL-LH*VB* (VDSC48)	1	EA	NO LONGER AVAILABLE, Not available online / Call for pricing and availability
Not Shown	C9002504WH	O/S DOOR PANEL-LH *WH* (VDSC48)	1	EA	
22	PE010030	LOGO	1	EA	
Not Shown	PE010031	LOGO 6" (VGRC) *BK/WH*	1	EA	NO LONGER AVAILABLE
Not Shown	PE010068	LOGO 6" (VGRC) BK/BR	1	EA	



Item	Part No.	Name	Qty	Uom	NOTES
Not Shown	PE010076	LOGO 6" (VGRC) *BR/WH*	1	EA	NO LONGER AVAILABLE
23	PE030008	DOOR HANDLE - LH 48VGRC	1	EA	
PE030014	PE030014PVD	DOOR HANDLE - LH - (48") PVD	1	EA	
NI	G3205671AL	DOOR ASSY *AL* (VGSC486 LH)	1	EA	NO LONGER AVAILABLE
Not Shown	G3205671ALBR	COMPLETE DOOR ASSY - ALBR	1	EA	Not available online / Call for pricing and availability
Not Shown	G3205671BK	DOOR ASSY *BK* VGSC486 LH	1	EA	NO LONGER AVAILABLE, Not available online / Call for pricing and availability
Not Shown	G3205671BKBR	COMPLETE DOOR ASSY - BKBR	1	EA	Not available online / Call for pricing and availability
Not Shown	G3205671BT	DOOR ASSY *BT* VGSC486 LH	1	EA	NO LONGER AVAILABLE, Not available online / Call for pricing and availability
Not Shown	G3205671BTBR	COMPLETE DOOR ASSY - BTBR	1	EA	Not available online / Call for pricing and availability
Not Shown	G3205671BU	DOOR ASSY *BU* VGSC486 LH	1	EA	NO LONGER AVAILABLE, Not available online / Call for pricing and availability
Not Shown	G3205671BUBR	COMPLETE DOOR ASSY - BUBR	1	EA	Not available online / Call for pricing and availability
Not Shown	G3205671CB	DOOR ASSY *CB* (VGSC486 LH)	1	EA	NO LONGER AVAILABLE, Not available online / Call for pricing and availability
Not Shown	G3205671CBBR	COMPLETE DOOR ASSY - CBBR	1	EA	Not available online / Call for pricing and availability
Not Shown	G3205671EP	DOOR ASSY *EP* (VGSC486 LH)	1	EA	NO LONGER AVAILABLE, Not available online / Call for pricing and availability



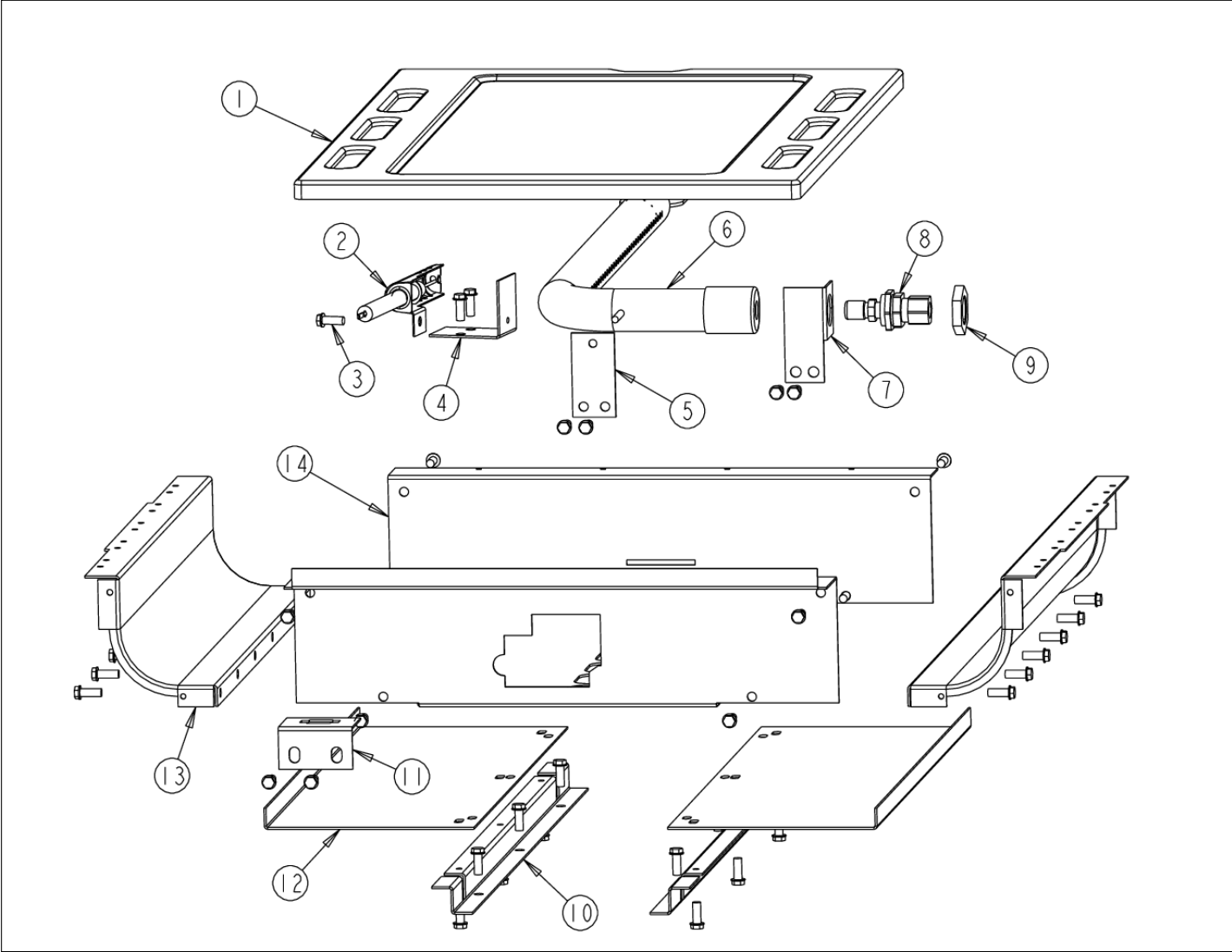
Item	Part No.	Name	Qty	Uom	NOTES
Not Shown	G3205671EPBR	COMPLETE DOOR ASSY - EPBR	1	EA	Not available online / Call for pricing and availability
Not Shown	G3205671FG	DOOR ASSY *FG* (VGSC486 LH)	1	EA	NO LONGER AVAILABLE, Not available online / Call for pricing and availability
Not Shown	G3205671FGBR	COMPLETE DOOR ASSY - FGBR	1	EA	Not available online / Call for pricing and availability
Not Shown	G3205671GG	DOOR ASSY *GG* (VGSC486 LH)	1	EA	NO LONGER AVAILABLE, Not available online / Call for pricing and availability
Not Shown	G3205671GGBR	COMPLETE DOOR ASSY - GGBR	1	EA	Not available online / Call for pricing and availability
Not Shown	G3205671LE	DOOR ASSY *LE* (VGSC486 LH)	1	EA	NO LONGER AVAILABLE, Not available online / Call for pricing and availability
Not Shown	G3205671LEBR	COMPLETE DOOR ASSY - LEBR	1	EA	Not available online / Call for pricing and availability
Not Shown	G3205671MJ	DOOR ASSY *MJ* (VGSC486 LH)	1	EA	NO LONGER AVAILABLE, Not available online / Call for pricing and availability
Not Shown	G3205671MJBR	COMPLETE DOOR ASSY - MJBR	1	EA	Not available online / Call for pricing and availability
Not Shown	G3205671SG	DOOR ASSY *SG* (VGSC486 LH)	1	EA	NO LONGER AVAILABLE, Not available online / Call for pricing and availability
Not Shown	G3205671SGBR	COMPLETE DOOR ASSY - SGBR	1	EA	Not available online / Call for pricing and availability
Not Shown	G3205671SS	DOOR ASSY *SS* (VGSC486 LH)	1	EA	NO LONGER AVAILABLE





Item	Part No.	Name	Qty	Uom	NOTES
Not Shown	G3205671SSBR	DOOR ASSY *SSBR* (VGSC486 LH)	1	EA	NO LONGER AVAILABLE, Not available online / Call for pricing and availability
Not Shown	G3205671VB	DOOR ASSY *VB* (VGSC486 LH)	1	EA	NO LONGER AVAILABLE, Not available online / Call for pricing and availability
Not Shown	G3205671VBBR	COMPLETE DOOR ASSY - VBBR	1	EA	Not available online / Call for pricing and availability
Not Shown	G3205671WH	DOOR ASSY *WH* (VGSC486 LH)	1	EA	NO LONGER AVAILABLE, Not available online / Call for pricing and availability
Not Shown	G3205671WHBR	COMPLETE DOOR ASSY - WHBR	1	EA	Not available online / Call for pricing and availability

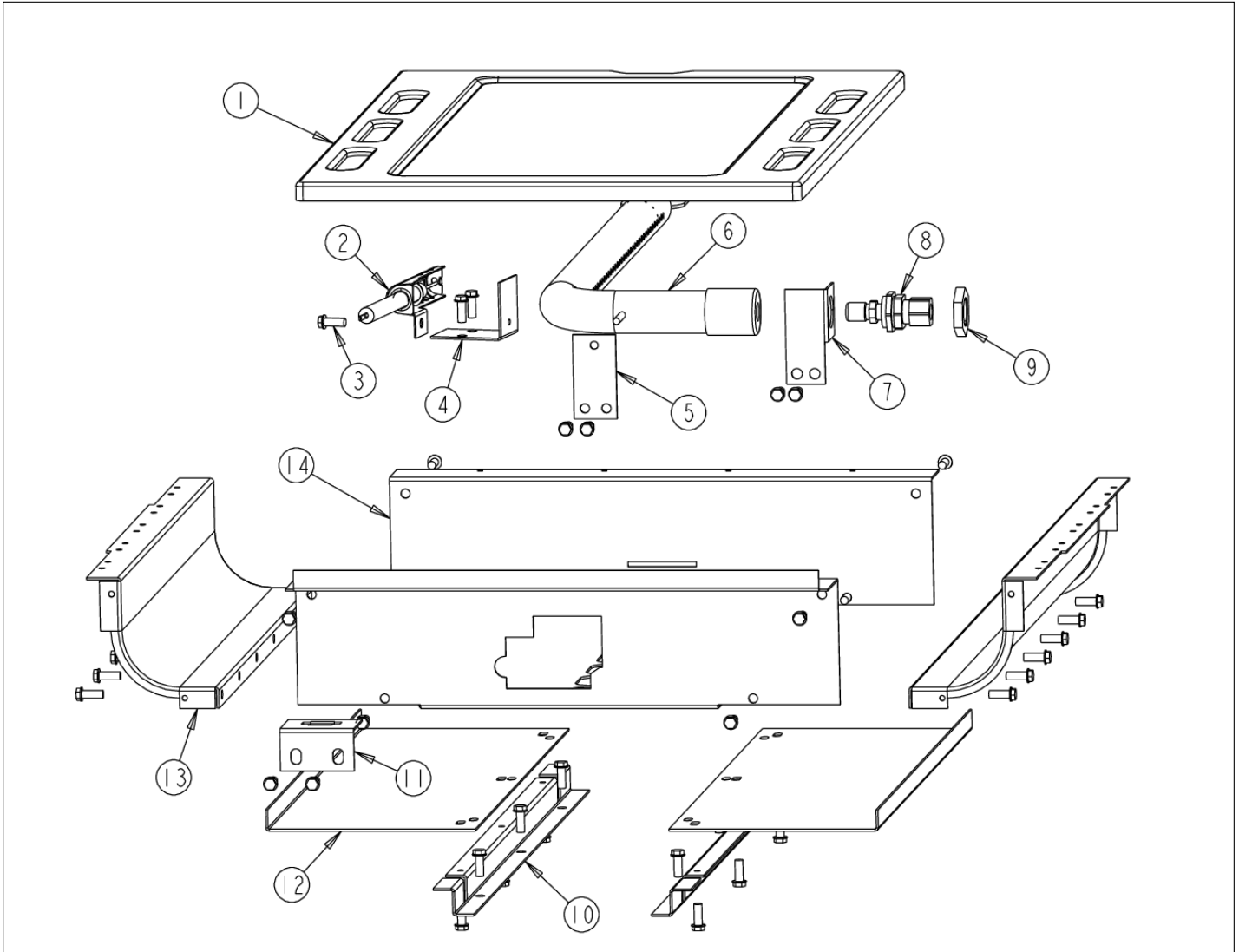
LH OVEN LOWER CAVITY AREA







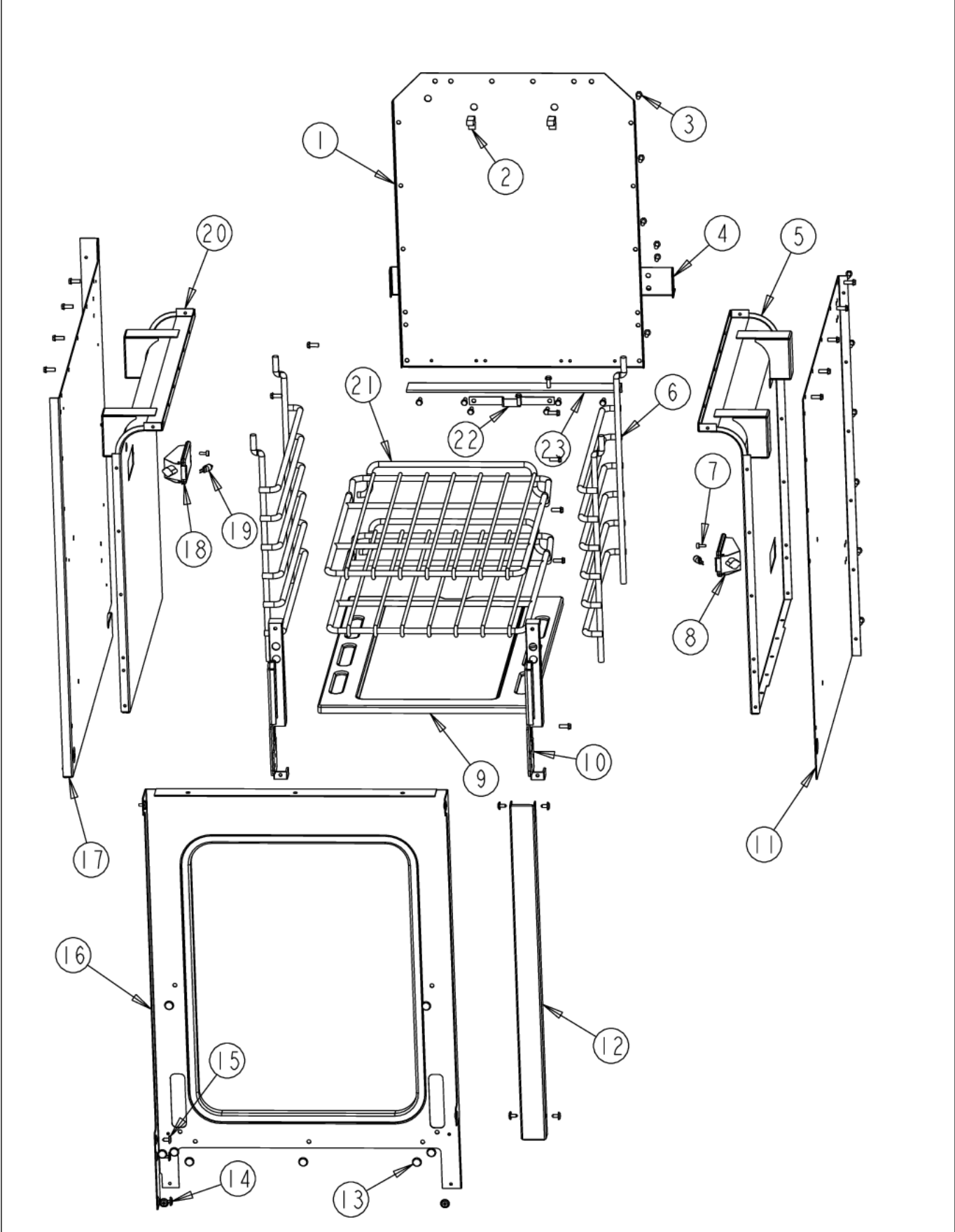
Item	Part No.	Name	Qty	Uom	NOTES
1	068457-000	ASM, BOTTOM, CAVITY OVEN GAS 18" GRAY		EA	
Not Shown	NOTE	(INCLUDES HEAT SHIELD)		EA	
2	PB040170	BAKE IGNITION ELECTRODE		EA	
Not Shown	NOTE	(units built before 08-31-2006)		EA	
2	PB040273	BAKE IGNITION ELECTRODE		EA	
Not Shown	NOTE	(units built on or after 08-31- 2006)		EA	
3	PD020060	10 X 1/2" (5/16)HEX WSHER HD.(T)A		EA	
4	A2005665	LH IGNITOR BRACKET		EA	
Not Shown	NOTE	(units built before 08-30-2006)		EA	
5	A1005571	BURNER MOUNTING BRACKET		EA	NO LONGER AVAILABLE
6	PB050065	OVEN BURNER, LH		EA	
Comments for Part Num. PB050065					
bradleysapplianceservice@shaw.ca on Feb 22, 2019					
IF BAKE ELECTRODE FOR LEFT HAND 18" OVEN WITH PB050065 BAKE BURNER IS REQUIRED - USE PB040273 BAKE IGNITION ELECTRODE.					
Not Shown	NOTE	(units built before 08-31-2006)		EA	
NI	PB050080	VGSC486 LH OVEN BURNER		EA	
Not Shown	NOTE	(units built on or after 08-31- 2006)		EA	
7	A2005579	ORIFICE BRACKET 48LH		EA	NO LONGER AVAILABLE, Not available online / Call for pricing and availability
8	PB040229	BULKHEAD FITTING (VGSC486LH)		EA	
Not Shown	PB040062	ORIFICE HOOD-#56		EA	
9	PD030018	PALNUT - 3/4-16		EA	
10	A2004429	OVEN BOTTOM INSUL. BRACE (VGSC306)		EA	





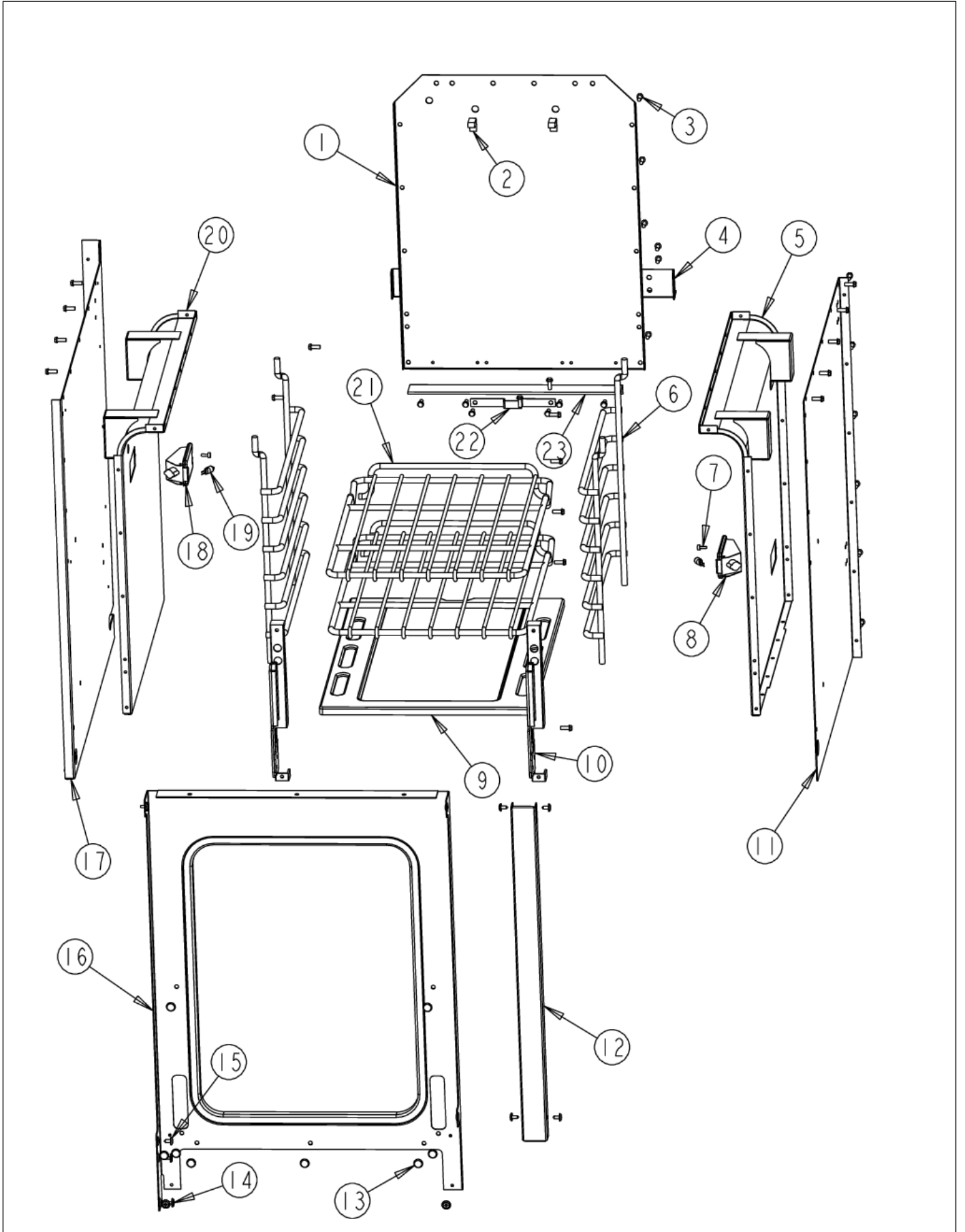
Item	Part No.	Name	Qty	Uom	NOTES
11	A20012922	DISCONNECT POWER BRACKET		EA	NO LONGER AVAILABLE, Not available online / Call for pricing and availability
12	A20013316	CAVITY BOTTOM EXTENSION		EA	NO LONGER AVAILABLE, Not available online / Call for pricing and availability
13	E2104427	BURNER BOX SIDE RH (VGSC306)		EA	NO LONGER AVAILABLE, Not available online / Call for pricing and availability
14	A20010139	48" LH CAVITY BOTTOM		EA	NO LONGER AVAILABLE, Not available online / Call for pricing and availability

LH OVEN MAIN CAVITY AREA

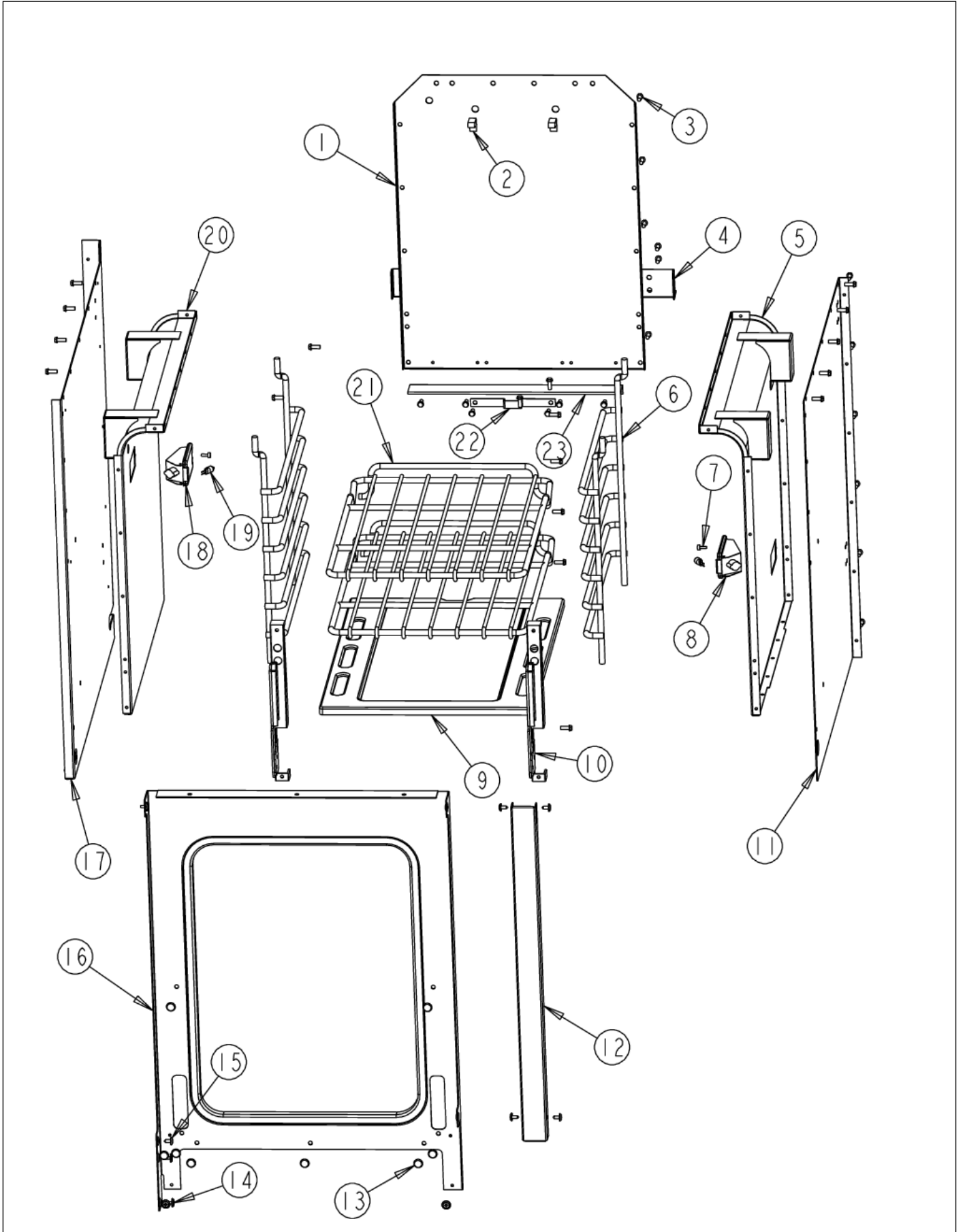




Item	Part No.	Name	Qty	Uom	NOTES
1	E9105572	OVEN BACK 48LH		EA	NO LONGER AVAILABLE, Not available online / Call for pricing and availability
2	PD030031	THERMAL BULB CLIP - .250		EA	
3	PD020060	10 X 1/2" (5/16)HEX WSHR HD.(T)A		EA	
4	A2005576	REAR OVEN SUPPORT 48LH		EA	NO LONGER AVAILABLE, Not available online / Call for pricing and availability
5	G9105564	OVEN SIDE ASSY RH 48LH		EA	NO LONGER AVAILABLE, Not available online / Call for pricing and availability
6	PB060030	RACK SUPT REPL PB060010		EA	
7	PD020067	' #6 X 3/8" PAN PHIL. TEK *SS*		EA	
8	PE050056	OVEN LIGHT ASSY 12V/5W		EA	
Not Shown	NOTE	Inc. Bulb		EA	
9	G3205588	OVEN BOTTOM PAN ASSY 48LH		EA	
10	PC020003	HINGE ASSY (BLUE)		EA	
11	A2005577	OVEN SIDE INSULATION RETAINER LH		EA	NO LONGER AVAILABLE, Not available online / Call for pricing and availability
12	B2005683	CENTER TRIM		EA	
Not Shown	C9005683AL	CENTER TRIM *AL*		EA	NO LONGER AVAILABLE, Not available online / Call for pricing and availability
Not Shown	C9005683BK	CENTER TRIM *BK*		EA	NO LONGER AVAILABLE
Not Shown	C9005683BT	CENTER TRIM *BT*		EA	NO LONGER AVAILABLE, Not available online / Call for pricing and availability
Not Shown	C9005683BU	CENTER TRIM *BU*		EA	Not available online / Call for pricing and availability



Item	Part No.	Name	Qty	Uom	NOTES
Not Shown	C9005683CB	CENTER TRIM *CB*		EA	NO LONGER AVAILABLE
Not Shown	C9005683EP	CENTER TRIM *EP*		EA	NO LONGER AVAILABLE, Not available online / Call for pricing and availability
Not Shown	C9005683FG	CENTER TRIM *FG*		EA	NO LONGER AVAILABLE, Not available online / Call for pricing and availability
Not Shown	C9005683GG	CENTER TRIM *GG*		EA	NO LONGER AVAILABLE
Not Shown	C9005683LE	CENTER TRIM *LE*		EA	NO LONGER AVAILABLE, Not available online / Call for pricing and availability
Not Shown	C9005683MJ	CENTER TRIM *MJ*		EA	NO LONGER AVAILABLE, Not available online / Call for pricing and availability
Not Shown	C9005683SG	CENTER TRIM *SG*		EA	
Not Shown	C9005683VB	CENTER TRIM *VB*		EA	NO LONGER AVAILABLE, Not available online / Call for pricing and availability
Not Shown	C9005683WH	CENTER TRIM *WH*		EA	NO LONGER AVAILABLE, Not available online / Call for pricing and availability
13	PD020033	SRW-#10-24X1/2"T(23)PH.WFR HD (NKL)		EA	
14	PD020073	SRW #10 X 24 X 3/8 WAFER HD TYPE23		EA	
15	PD020032	SRW-8(A)X3/8"PH.WFR HD 7/16DIA*NICL		EA	
16	G9105574	OVEN FRONT FRAME ASSY 48LH		EA	NO LONGER AVAILABLE, Not available online / Call for pricing and availability
17	A2005550	OVEN SIDE INSUL RETAINER		EA	NO LONGER AVAILABLE, Not available online / Call for pricing and availability

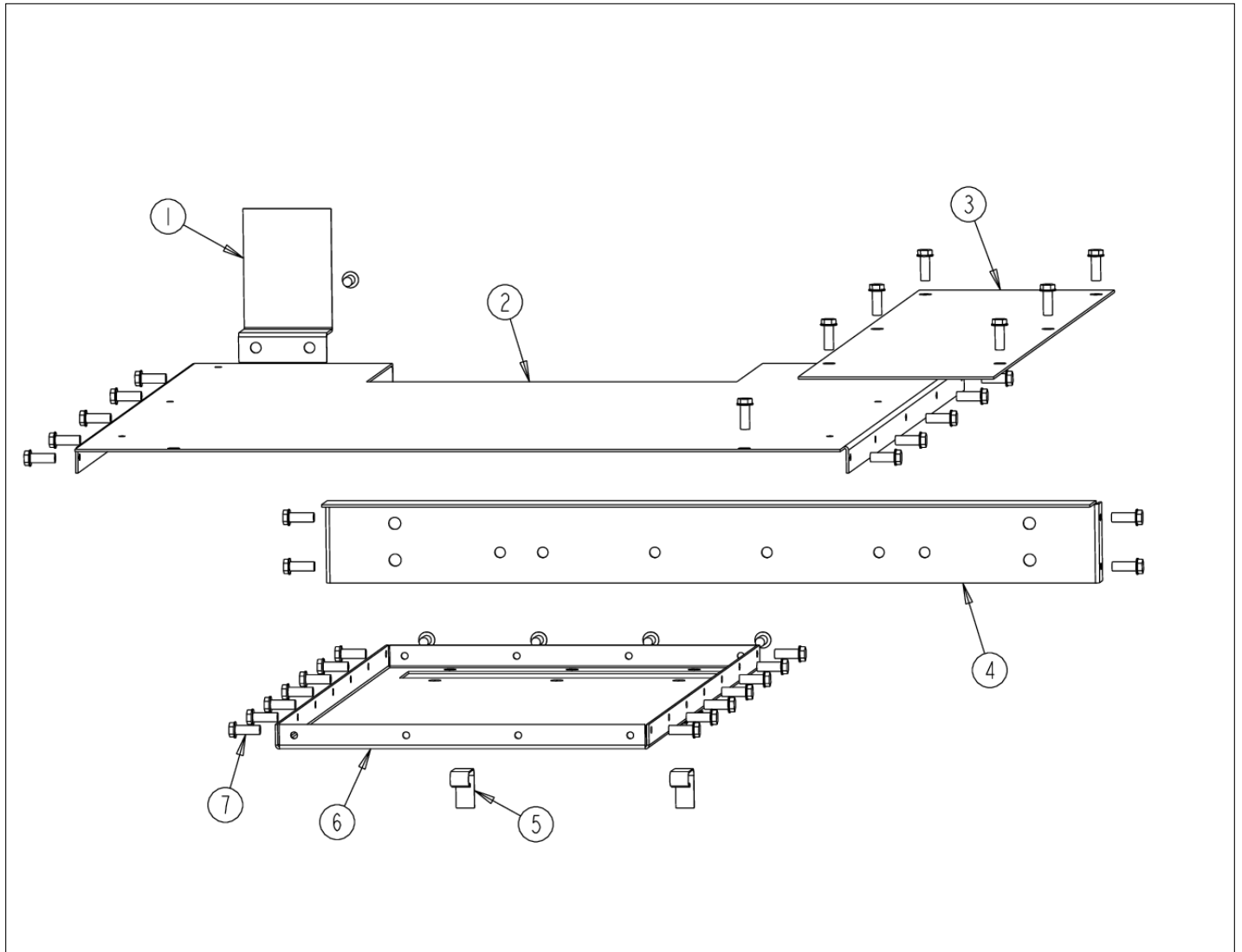






Item	Part No.	Name	Qty	Uom	NOTES
18	PE050148	OVEN LIGHT ASSY. W/32" CABLE		EA	
Not Shown	NOTE	Inc. Bulb		EA	
19	PE050251	120V 25W HALOGEN APPLIANCE BULB		EA	
20	G9105565	OVEN SIDE ASSY LH 48LH		EA	NO LONGER AVAILABLE, Not available online / Call for pricing and availability
21	PB060046	OVEN RK VDSC48-LH REPL PB060023		EA	
22	A2004428	REAR BOTTOM BRCKT (VGSC306)		EA	
23	031445-403	BRACE, OVEN, BOTTOM, BACK		EA	

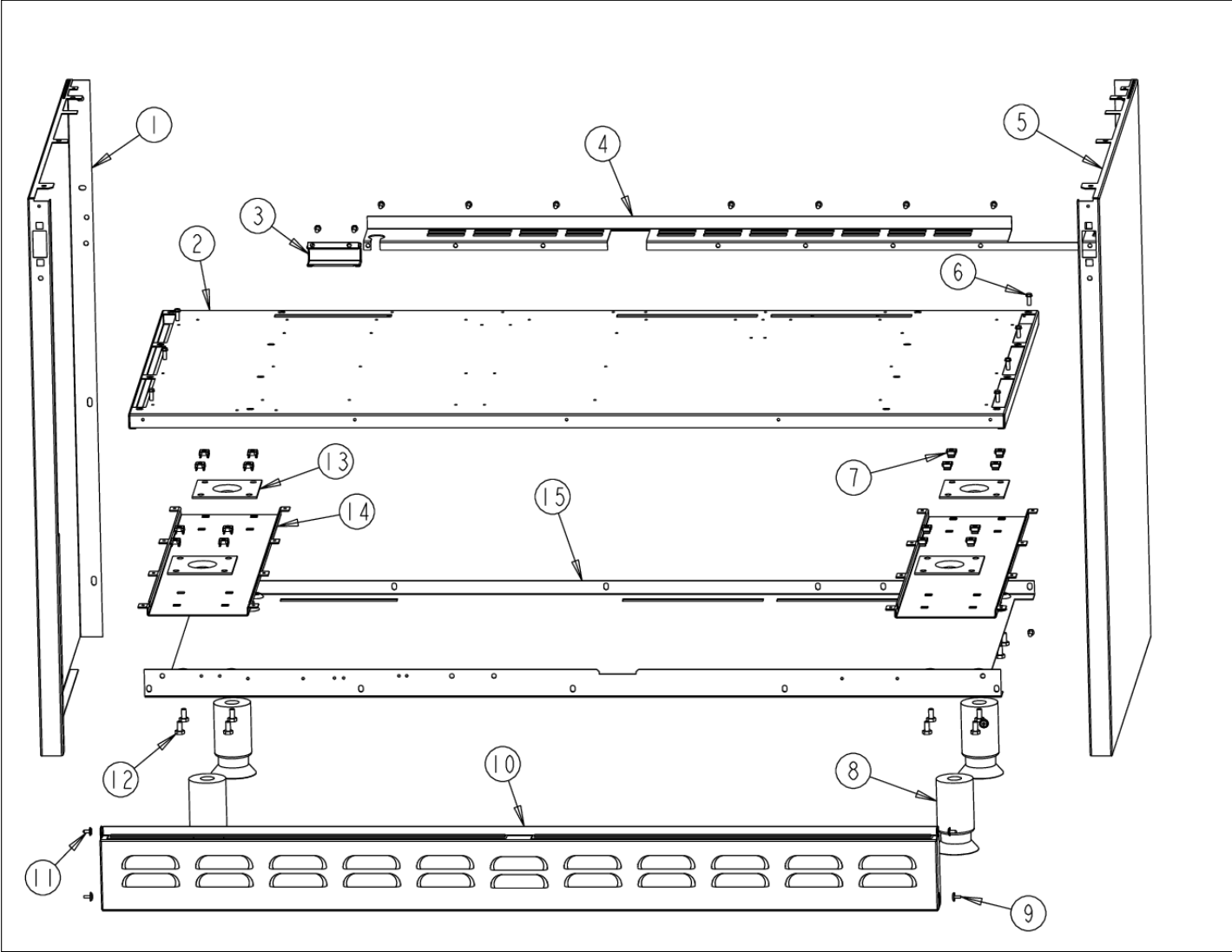
LH OVEN UPPER AREA





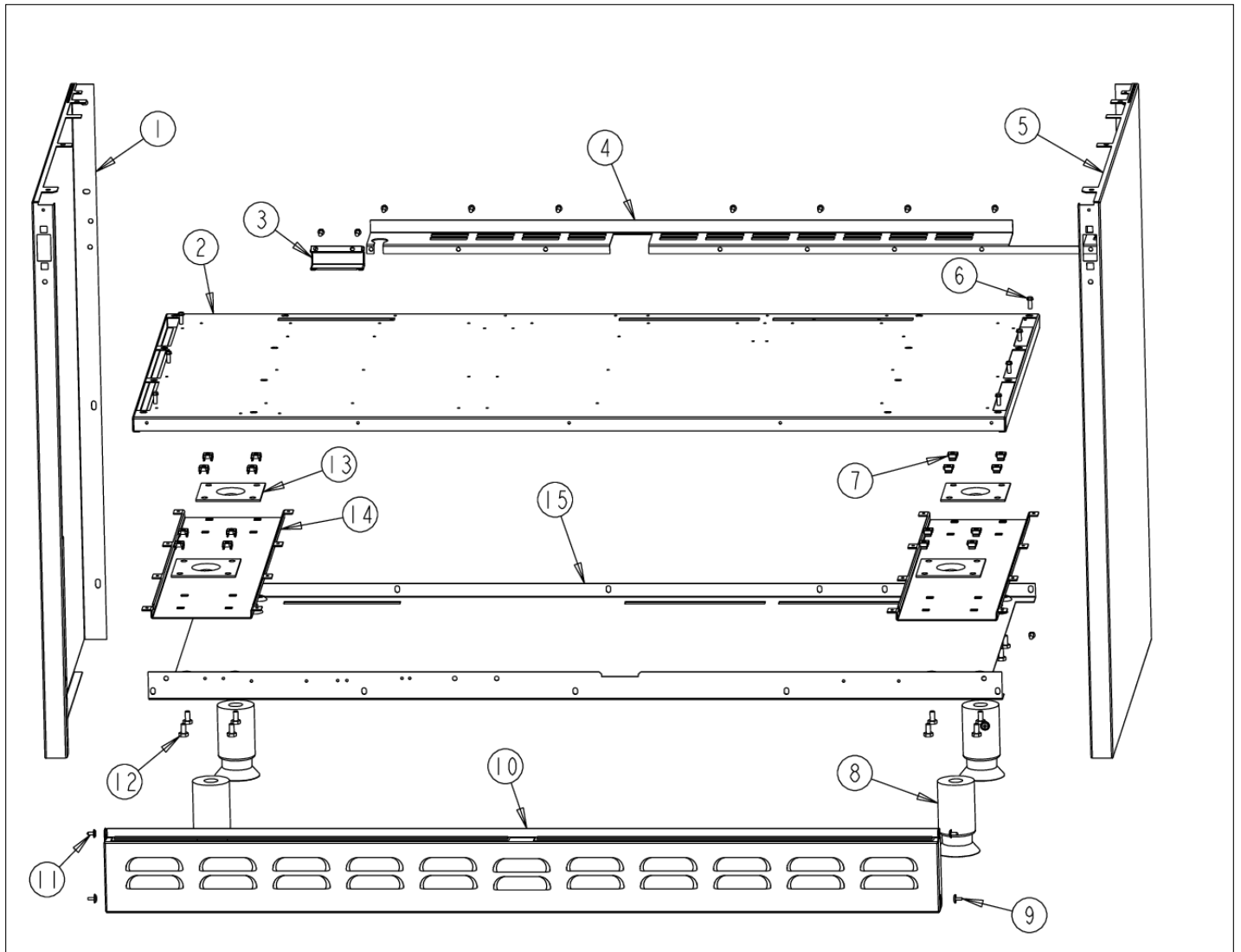
Item	Part No.	Name	Qty	Uom	NOTES
1	A20013318	AIR GUIDE BRACKET	1	EA	NO LONGER AVAILABLE, Not available online / Call for pricing and availability
2	A2005560	OVEN TOP INSULATION RETAINER 48LH	1	EA	NO LONGER AVAILABLE, Not available online / Call for pricing and availability
3	A1005678	CENTER AIR DIVERTER	1	EA	NO LONGER AVAILABLE, Not available online / Call for pricing and availability
4	A2005576	REAR OVEN SUPPORT 48LH	1	EA	NO LONGER AVAILABLE, Not available online / Call for pricing and availability
5	PD030031	THERMAL BULB CLIP - .250	1	EA	
6	E9105566	OVEN TOP 48LH	1	EA	NO LONGER AVAILABLE, Not available online / Call for pricing and availability
7	PD020060	10 X 1/2" (5/16)HEX WSHER HD.(T)A	1	EA	

LOWER UNIT AND SIDE PANELS



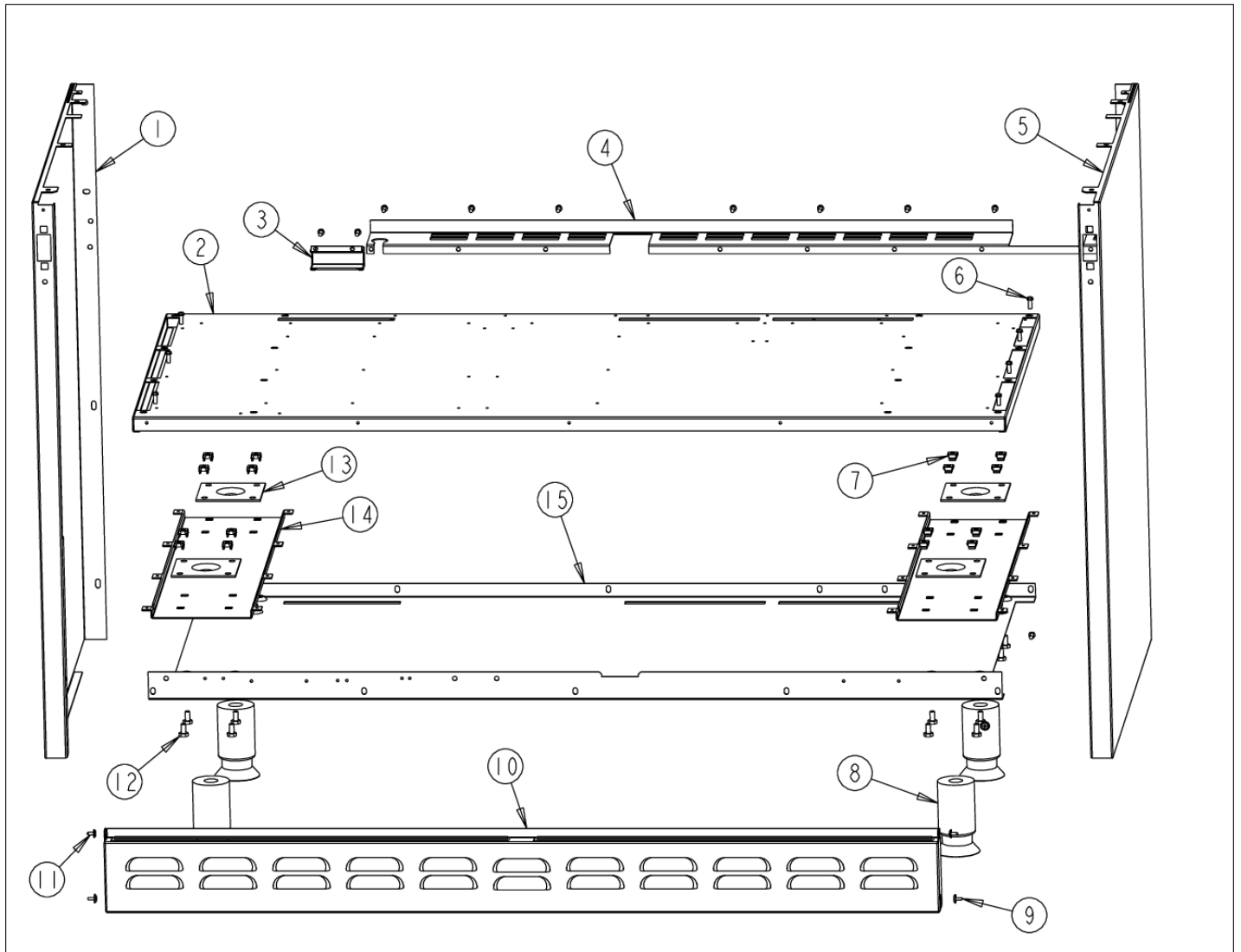


Item	Part No.	Name	Qty	Uom	NOTES
1	B20010180	O/S BODY PANEL - LH	1	EA	
Not Shown	C90010180AL	SIDE PANEL LH *AL*	1	EA	NO LONGER AVAILABLE, Not available online / Call for pricing and availability
Not Shown	C90010180BK	SIDE PANEL LH *BK*	1	EA	Not available online / Call for pricing and availability
Not Shown	C90010180BT	SIDE PANEL LH *BT*	1	EA	NO LONGER AVAILABLE, Not available online / Call for pricing and availability
Not Shown	C90010180BU	SIDE PANEL LH *BU*	1	EA	
Not Shown	C90010180CB	SIDE PANEL LH *CB*	1	EA	NO LONGER AVAILABLE
Not Shown	C90010180EP	SIDE PANEL LH *EP*	1	EA	NO LONGER AVAILABLE, Not available online / Call for pricing and availability
Not Shown	C90010180FG	SIDE PANEL LH *FG*	1	EA	NO LONGER AVAILABLE, Not available online / Call for pricing and availability
Not Shown	C90010180GG	SIDE PANEL LH *GG*	1	EA	NO LONGER AVAILABLE, Not available online / Call for pricing and availability
Not Shown	C90010180LE	SIDE PANEL LH *LE*	1	EA	NO LONGER AVAILABLE, Not available online / Call for pricing and availability
Not Shown	C90010180MJ	SIDE PANEL LH *MJ*	1	EA	
Not Shown	C90010180SG	SIDE PANEL LH *SG*	1	EA	NO LONGER AVAILABLE, Not available online / Call for pricing and availability
Not Shown	C90010180VB	SIDE PANEL LH *VB*	1	EA	NO LONGER AVAILABLE, Not available online / Call for pricing and availability



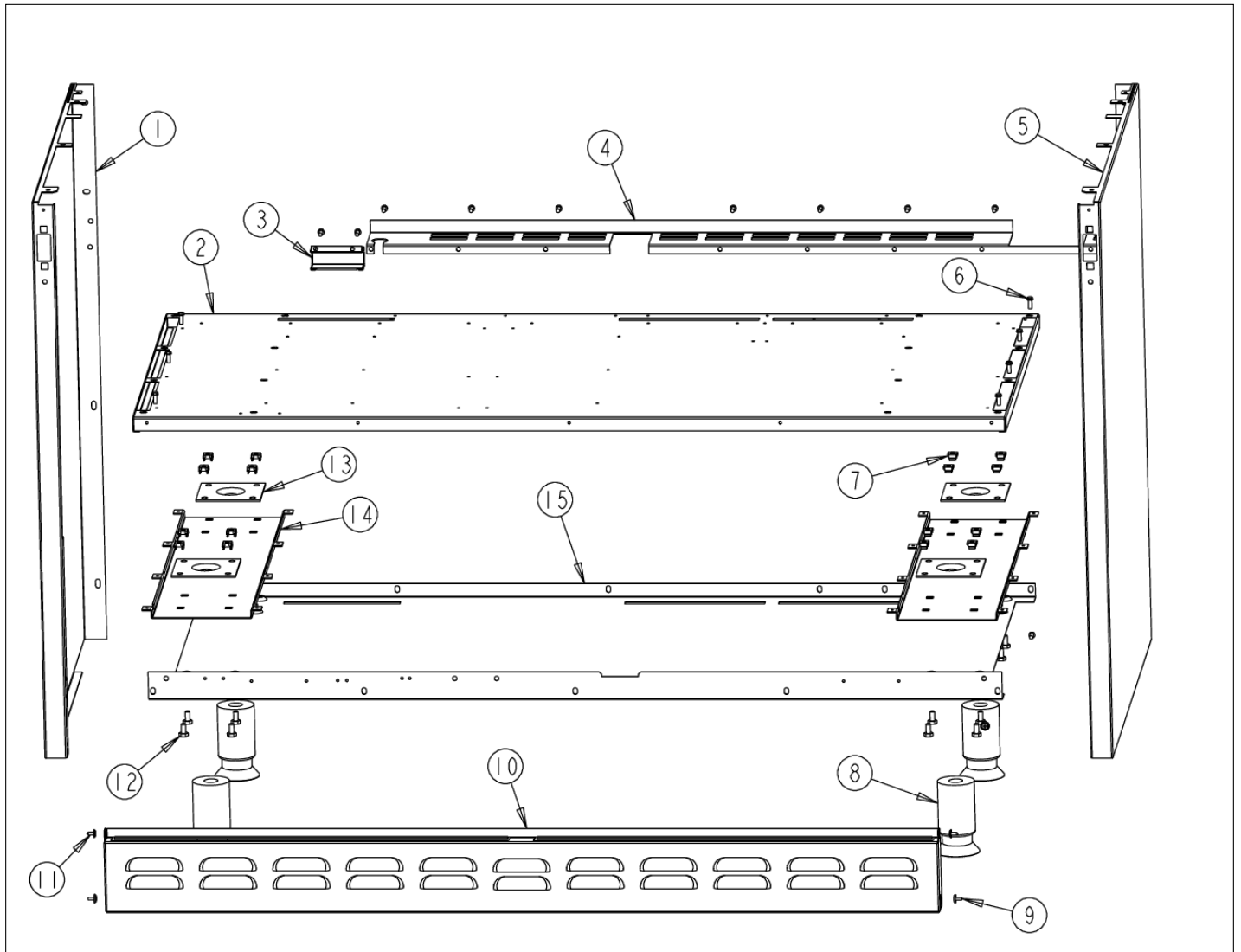


Item	Part No.	Name	Qty	Uom	NOTES
Not Shown	C90010180WH	SIDE PANEL LH *WH*	1	EA	
2	A2002501	BTM INSULATION SHIELD (VDSC48)	1	EA	NO LONGER AVAILABLE, Not available online / Call for pricing and availability
3	A2004481	WIRE CHANNEL RH (VGSC306)	1	EA	NO LONGER AVAILABLE
4	A2005584	O/S OVEN BACK BOTTOM	1	EA	NO LONGER AVAILABLE
5	B20010179	O/S BODY PANEL - RH	1	EA	
Not Shown	C90010179AL	SIDE PANEL RH *AL*	1	EA	NO LONGER AVAILABLE, Not available online / Call for pricing and availability
Not Shown	C90010179BK	SIDE PANEL RH *BK*	1	EA	NO LONGER AVAILABLE
Not Shown	C90010179BT	SIDE PANEL RH *BT*	1	EA	NO LONGER AVAILABLE, Not available online / Call for pricing and availability
Not Shown	C90010179BU	SIDE PANEL RH *BU*	1	EA	Not available online / Call for pricing and availability
Not Shown	C90010179CB	SIDE PANEL RH *CB*	1	EA	NO LONGER AVAILABLE
Not Shown	C90010179EP	SIDE PANEL RH *EP*	1	EA	NO LONGER AVAILABLE, Not available online / Call for pricing and availability
Not Shown	C90010179FG	SIDE PANEL RH *FG*	1	EA	NO LONGER AVAILABLE, Not available online / Call for pricing and availability
Not Shown	C90010179GG	SIDE PANEL RH *GG*	1	EA	NO LONGER AVAILABLE, Not available online / Call for pricing and availability
Not Shown	C90010179LE	SIDE PANEL RH *LE*	1	EA	NO LONGER AVAILABLE, Not available online / Call for pricing and availability





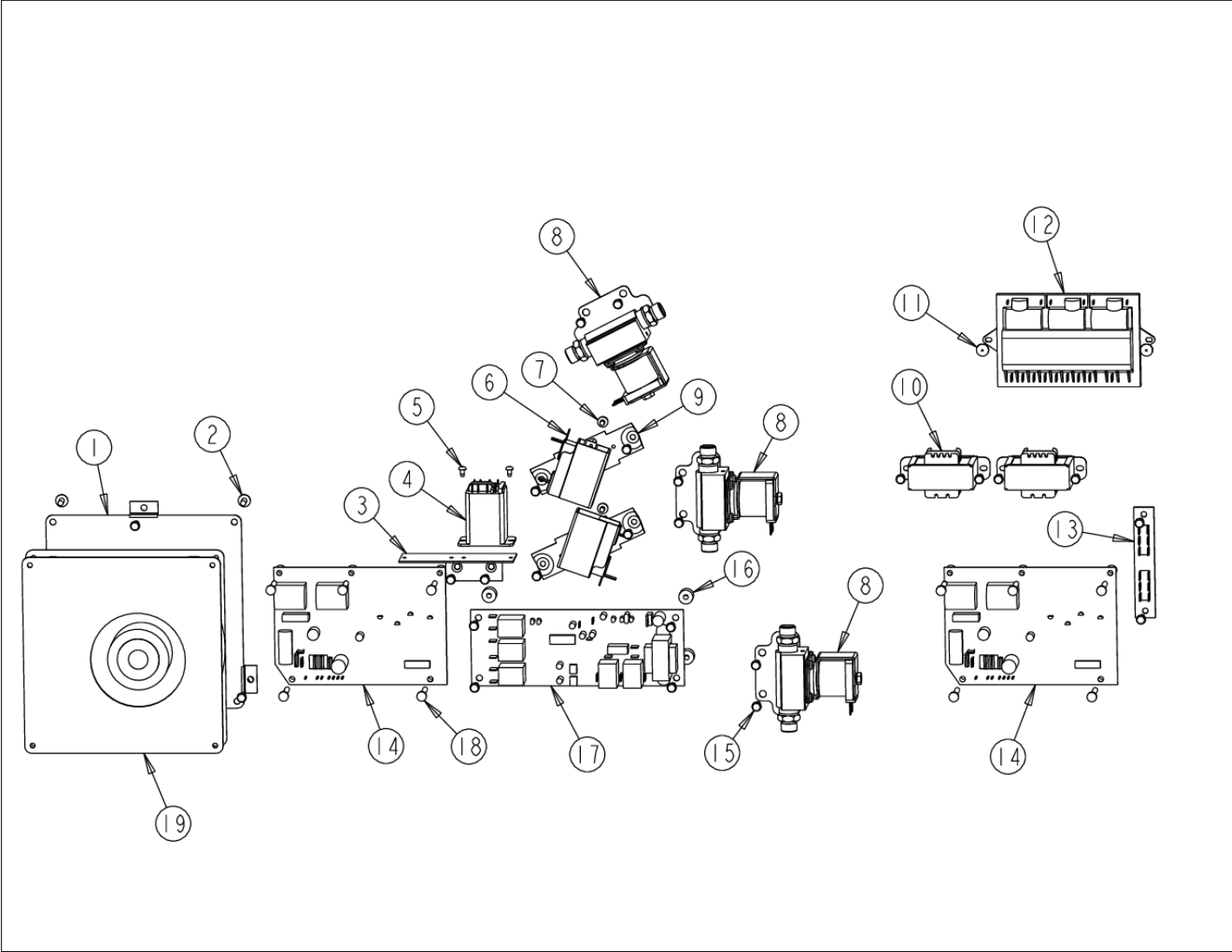
Item	Part No.	Name	Qty	Uom	NOTES
Not Shown	C90010179MJ	SIDE PANEL RH *MJ*	1	EA	
Not Shown	C90010179SG	SIDE PANEL RH *SG*	1	EA	NO LONGER AVAILABLE, Not available online / Call for pricing and availability
Not Shown	C90010179VB	SIDE PANEL RH *VB*	1	EA	NO LONGER AVAILABLE, Not available online / Call for pricing and availability
Not Shown	C90010179WH	SIDE PANEL RH *WH*	1	EA	
6	PD020060	10 X 1/2" (5/16)HEX WSHER HD.(T)A	1	EA	
7	PD030029	SELF RETAINING NUT (1/4-20)	1	EA	
8	PC030017	4" LEG ASSY	1	EA	
9	PD020073	SRW #10 X 24 X 3/8 WAFER HD TYPE23	1	EA	
10	B2001241	LWR ACC. PNL - RPLCS B2001973	1	EA	
Not Shown	C9001241AL	LWR ACC PNL - RPLCS C9001973AL	1	EA	NO LONGER AVAILABLE, Not available online / Call for pricing and availability
Not Shown	C9001241BK	LWR ACC PNL - RPLCS C9001973BK	1	EA	
Not Shown	C9001241BT	LWR ACC PNL - RPLCS C9001973BT	1	EA	NO LONGER AVAILABLE
Not Shown	C9001241BU	LWR ACC PNL - RPLCS C9001973BU	1	EA	
Not Shown	C9001241CB	LWR ACC PNL - RPLCS C9001973CB	1	EA	NO LONGER AVAILABLE
Not Shown	C9001241EP	LWR ACC PNL - RPCLS C9001973EP	1	EA	NO LONGER AVAILABLE, Not available online / Call for pricing and availability
Not Shown	C9001241FG	LWR ACC PNL - RPLCS C9001973FG	1	EA	NO LONGER AVAILABLE, Not available online / Call for pricing and availability
Not Shown	C9001241GG	LWR ACC PNL - RPLCS C9001973GG	1	EA	Not available online / Call for pricing and availability





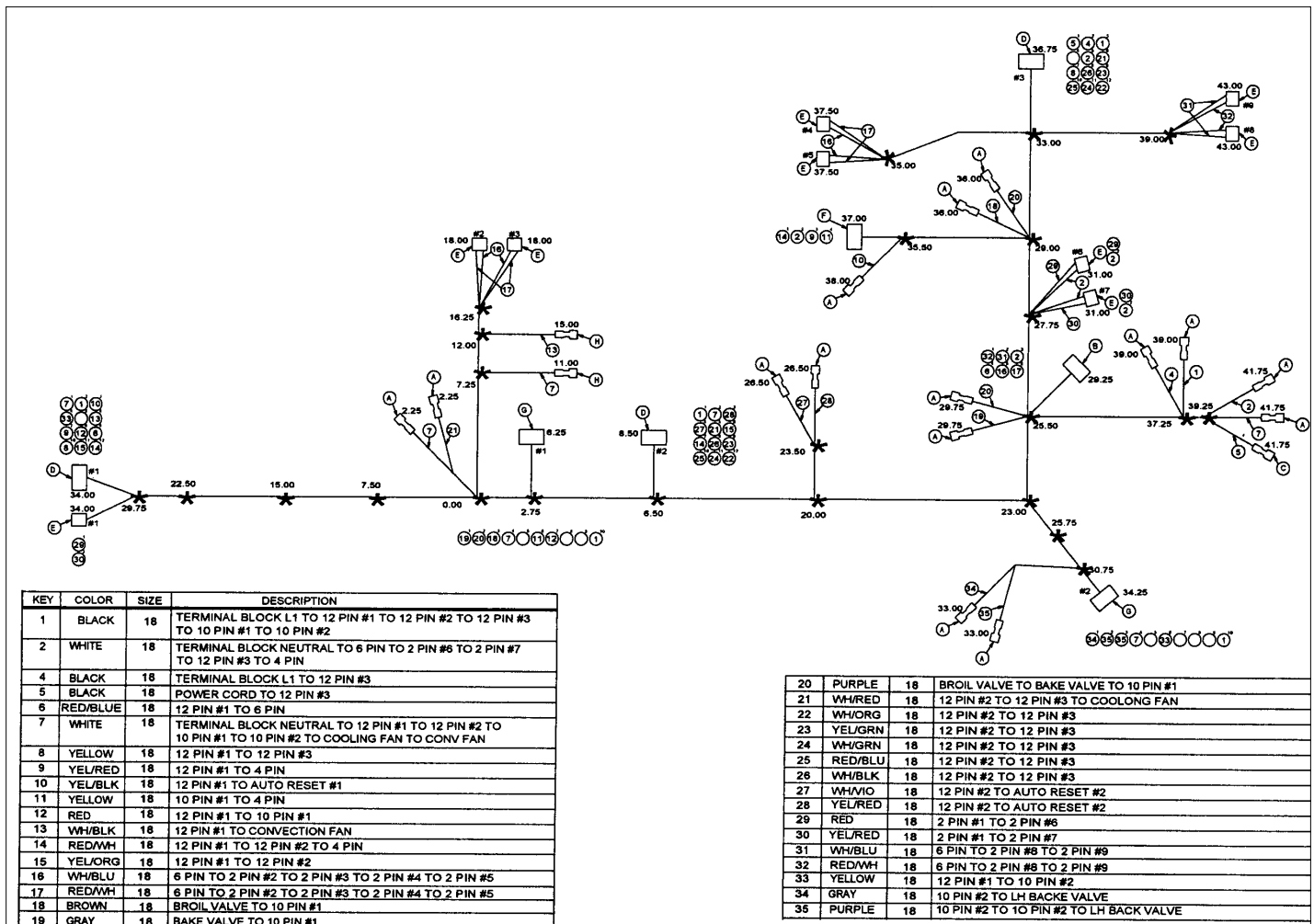
Item	Part No.	Name	Qty	Uom	NOTES
Not Shown	C9001241LE	LWR ACC PNL - RPLCS C9001973LE	1	EA	NO LONGER AVAILABLE
Not Shown	C9001241MJ	LWR ACC PNL - RPLCS C9001973MJ	1	EA	NO LONGER AVAILABLE
Not Shown	C9001241SG	LWR ACC PNL - RPLCS C9001973SG	1	EA	Not available online / Call for pricing and availability
Not Shown	C9001241VB	LWR ACC PNL - RPLCS C9001973VB	1	EA	NO LONGER AVAILABLE, Not available online / Call for pricing and availability
Not Shown	C9001241WH	LWR ACC PNL - RPLCS C9001973WH	1	EA	
11	PD020032	SRW-8(A)X3/8"PH.WFR HD 7/16DIA*NICL	1	EA	
12	PD010006	HEX HD. BOLT - 1/4-20 X 1/2	1	EA	
13	PC030007	LEG PLATE - 3/4" THREADED HOLE	1	EA	
14	A2002482	LEG BRACE (VDSC)	1	EA	NO LONGER AVAILABLE
15	A2002500	MAIN BTM (VDSC485)	1	EA	NO LONGER AVAILABLE
NI	019503-000	48" CURB BASE KIT	1	EA	

REAR ELECTRONICS



Item	Part No.	Name	Qty	Uom	NOTES
1	A2005414	COOLING FAN BRACKET	1	EA	NO LONGER AVAILABLE, Not available online / Call for pricing and availability
2	PD010003	10-24 X 1/2 PH.TR.HD.SERD.M.S.	1	EA	
3	A2004458	RELAY BRACKET (VGSC306) (2 RELAY)	1	EA	NO LONGER AVAILABLE
4	PM010029	RELAY (DOUBLE POLE- DOUBLE THROW)TEM	1	EA	
5	PD020006	' #6-32 X 1/4" PH.PAN HD. T(F)	1	EA	
6	PJ030002	AUTO RESET (SELF-CLEAN) VDSC	1	EA	
7	PD020044	#8-32 X 1/4" PH. TR. HD. M.S.	1	EA	
8	PA010139	F J T VALVE REPL PA010079	1	EA	
9	A1002456	THERMO-DISC BRKT (VDSC)	1	EA	
10	PE070468	TRANSFORMER HALOGEN LIGHTS REPLACES PE070222	1	EA	
11	PD020002	10 X 1/2 PH.TR.HD.SMS.	1	EA	
12	PA020048	Spark Module (6B /6G/ 4Q)	1	EA	
13	PE050001	TERMINAL BOARD	1	EA	
14	PA020035	DSI MODULE REPL PA020027	1	EA	
15	PD020060	10 X 1/2" (5/16)HEX WSHER HD.(T)A	1	EA	
16	PD030033	GROMMET NUT-ROUND HD. #8 X .500DIA.	1	EA	
17	PE070148	SELF-CLEAN BOARD/TIMER (VDSC)	1	EA	
18	PD020053	#8 X 1 1/2 HEX WASHER HEAD SMS(VERT	1	EA	
19	PE050026	COOLING FAN (VDSC)	1	EA	

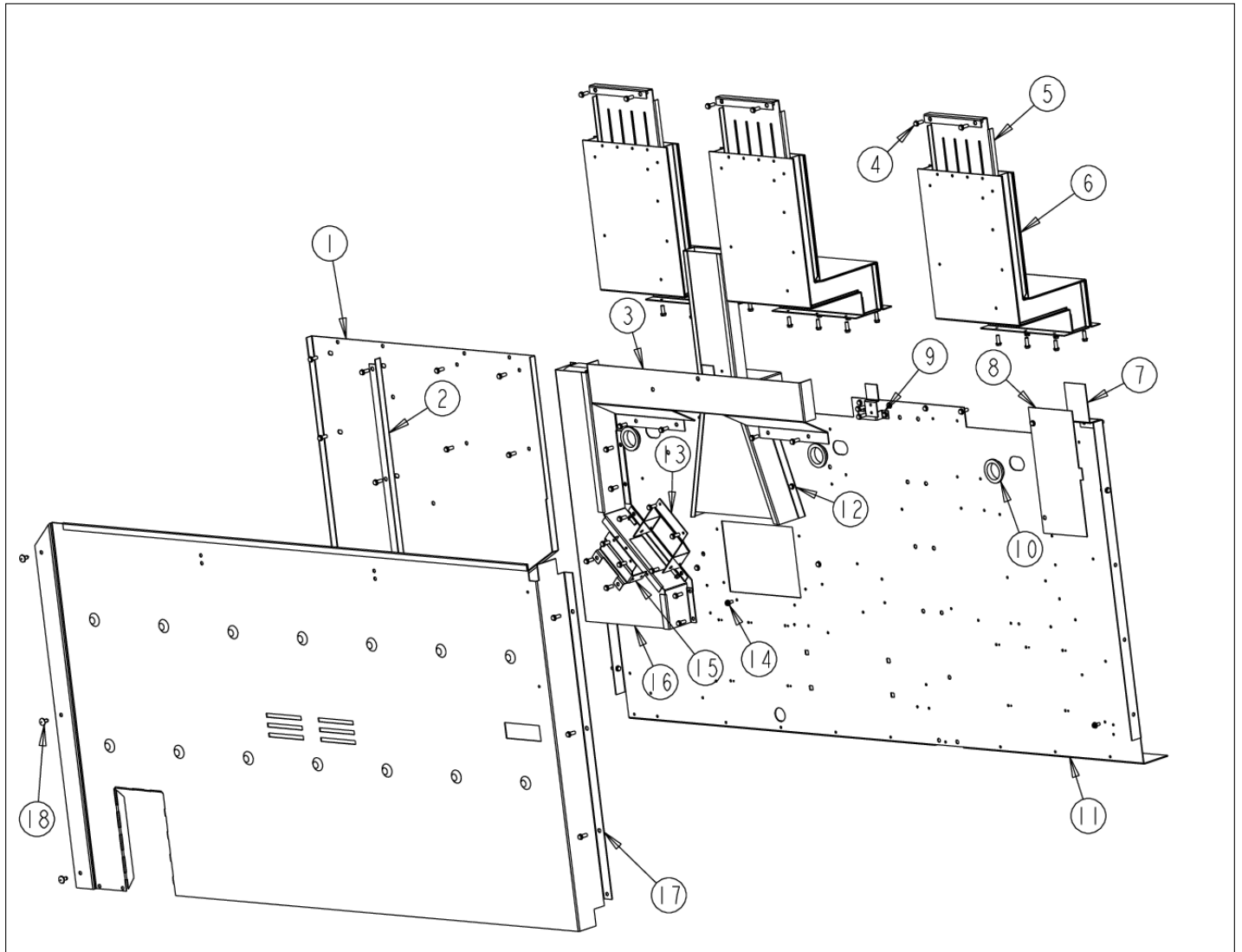
## REAR MAIN HARNESS





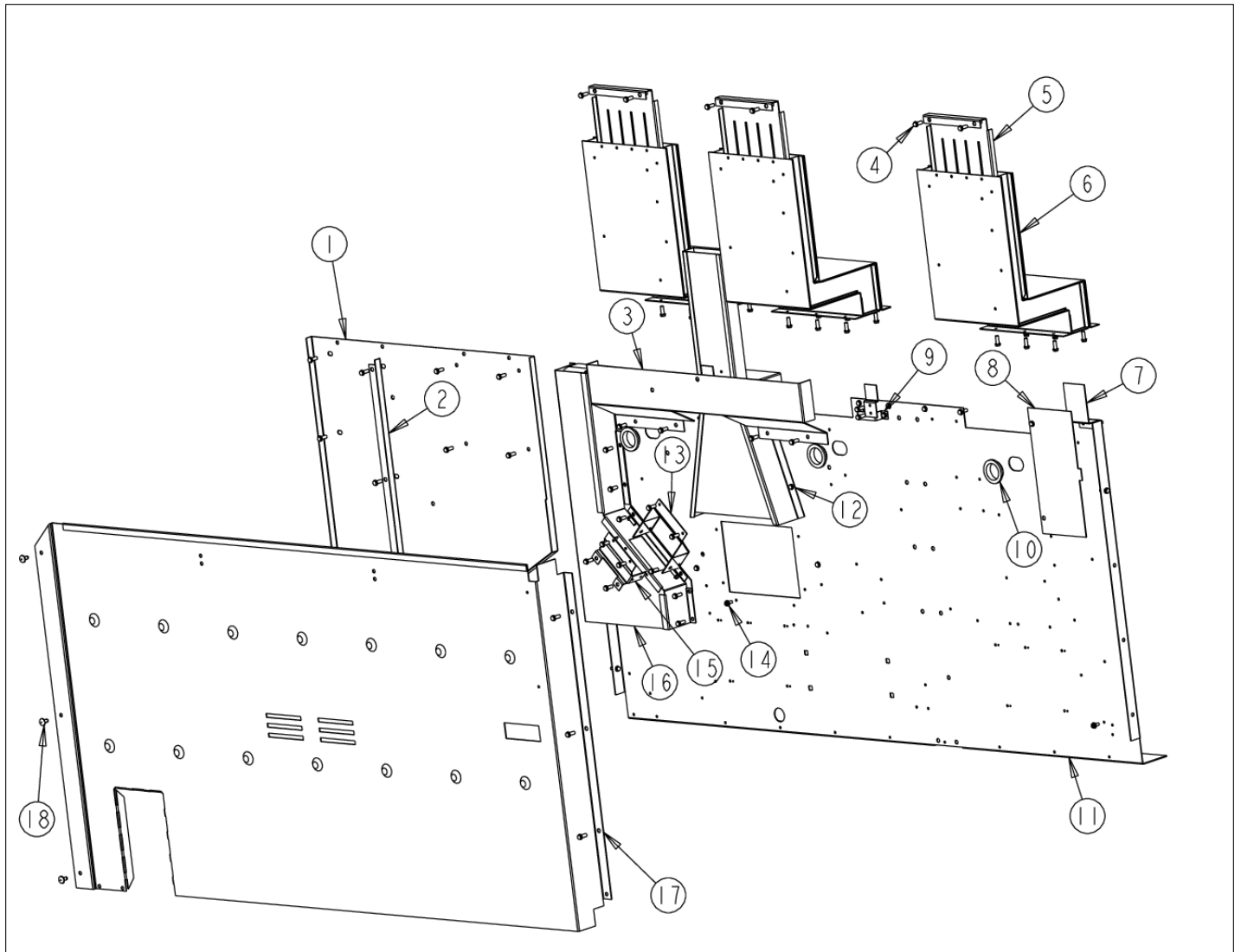
Item	Part No.	Name	Qty	Uom	NOTES
1	PE070389	VGSC486 REAR MAIN HARNESS	1	EA	

REAR UNIT AND AIR VENTING





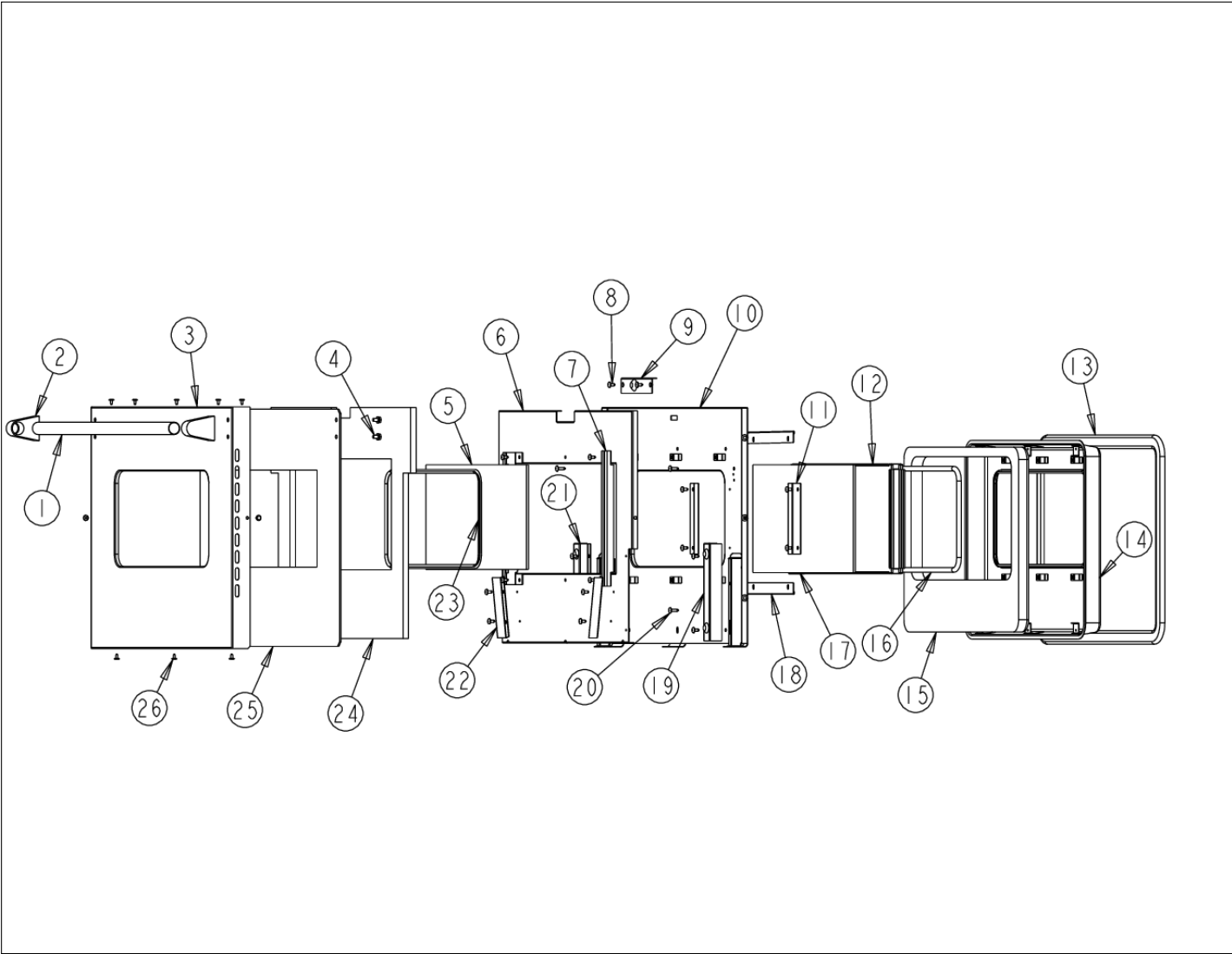
Item	Part No.	Name	Qty	Uom	NOTES
1	A2004468	BACK AIR CHANNEL (VGSC306)	1	EA	NO LONGER AVAILABLE, Not available online / Call for pricing and availability
2	A2005685	48 BACK AIR DEFLECTOR	1	EA	NO LONGER AVAILABLE, Not available online / Call for pricing and availability
3	A2004464	FLUE HEAT SHIELD (VGSC306)	1	EA	NO LONGER AVAILABLE
4	PD020060	10 X 1/2" (5/16)HEX WSHER HD.(T)A	1	EA	
5	E20013325	BAFFLE	1	EA	Not available online / Call for pricing and availability
6	G3004414	FLUE ASSY (VGSC306)	1	EA	NO LONGER AVAILABLE
7	A20013318	AIR GUIDE BRACKET	1	EA	NO LONGER AVAILABLE, Not available online / Call for pricing and availability
8	A1005686	48" GAS SLOT PROTECTOR	1	EA	NO LONGER AVAILABLE
9	A2005582	TUBING STRAP	1	EA	NO LONGER AVAILABLE, Not available online / Call for pricing and availability
10	PB070079	SILICONE EXTRUSION (DGSU)	1	EA	
11	A2005578	O/S OVEN BACK 48	1	EA	NO LONGER AVAILABLE, Not available online / Call for pricing and availability
12	G3004444	BROILER FLUE WELD ASSY (VGSC306)	1	EA	NO LONGER AVAILABLE, Not available online / Call for pricing and availability
13	A2004470	AIR CHANNEL BACK (VGSC306)	1	EA	NO LONGER AVAILABLE, Not available online / Call for pricing and availability
14	PD020010	10 X 3/8 GREEN GROUNDING SCREW	1	EA	





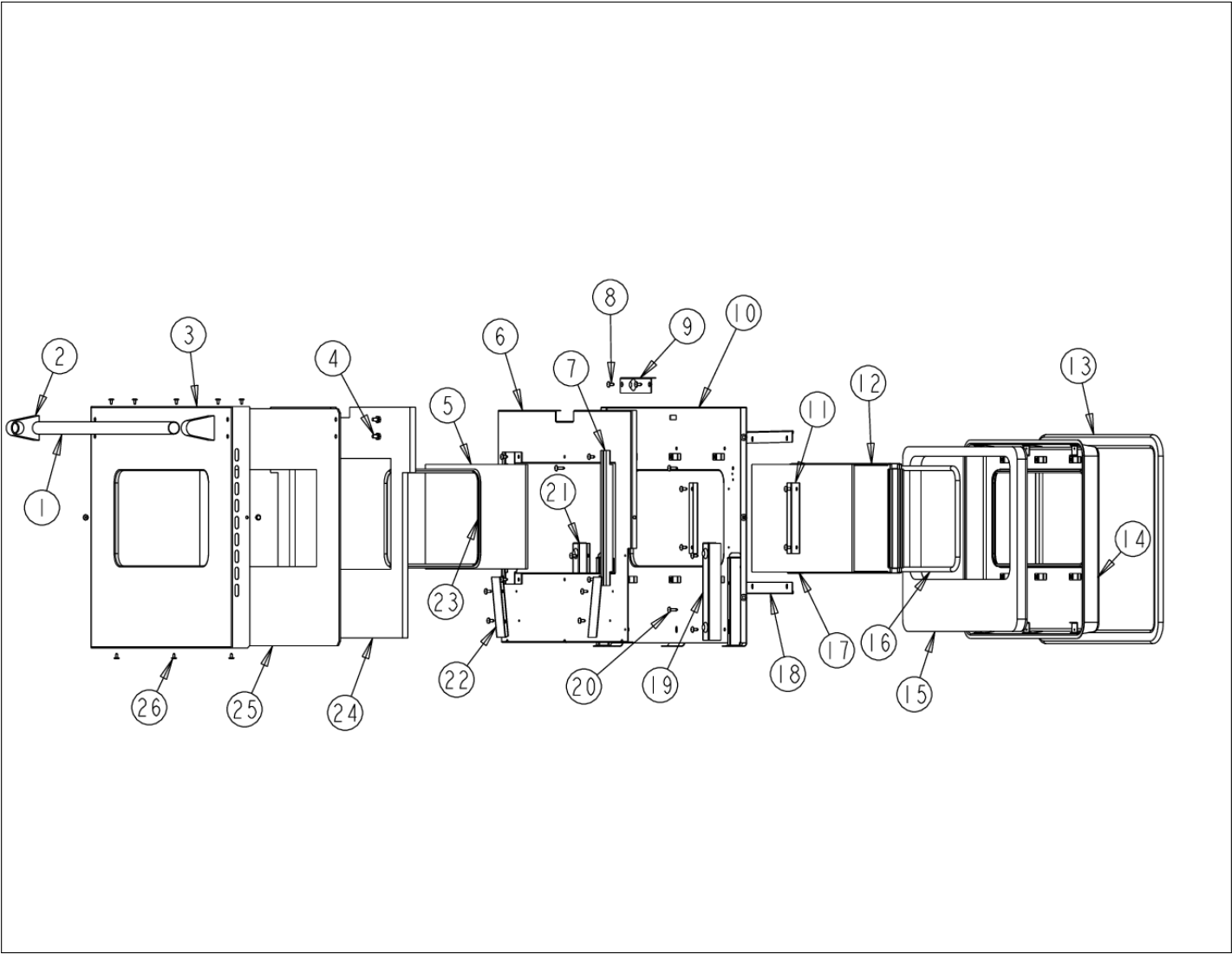
Item	Part No.	Name	Qty	Uom	NOTES
15	A2004469	COOLING FAN DUCT AIR COVER(VGSC306)	1	EA	NO LONGER AVAILABLE, Not available online / Call for pricing and availability
16	G3005680	COOLING FAN DUCT ASSY	1	EA	NO LONGER AVAILABLE
17	A2005583	48 REAR COVER	1	EA	NO LONGER AVAILABLE
18	PD020002	10 X 1/2 PH.TR.HD.SMS.	1	EA	

RH DOOR

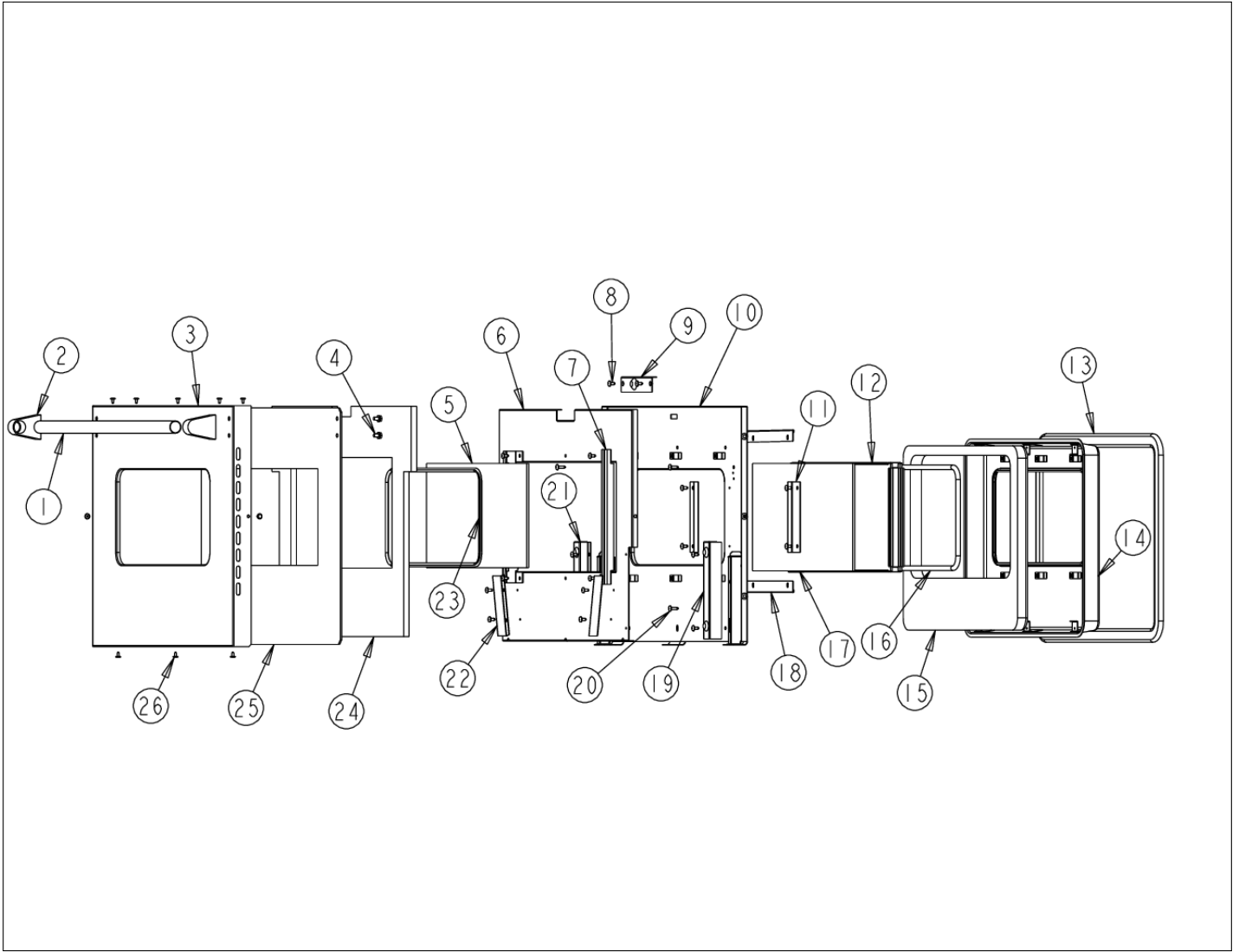




Item	Part No.	Name	Qty	Uom	NOTES
1	PE030005	DOOR HANDLE - VGSC30/RC60/RC48RH	1	EA	
Not Shown	PE030012PVD	DOOR HANDLE - RH - (30"/48") PVD	1	EA	
2	000268-000	HANDLE ENDCAP	1	EA	
Not Shown	PE030001PVD	END CAP DOOR HANDLE *BR	1	EA	
3	B2002528	O/S DOOR PANEL RH *SS* (VDSC48)	1	EA	
Not Shown	C9002528AL	O/S DOOR PANEL-RH *AL* (VDSC48)	1	EA	NO LONGER AVAILABLE
Not Shown	C9002528BK	O/S DOOR PANEL-RH *BK* (VDSC48)	1	EA	
Not Shown	C9002528BT	O/S DOOR PANEL-RH *BT* (VDSC48)	1	EA	NO LONGER AVAILABLE
Not Shown	C9002528BU	O/S DOOR PANEL-RH *BU* (VDSC48)	1	EA	
Not Shown	C9002528CB	O/S DOOR PANEL-RH *CB* (VDSC48)	1	EA	Not available online / Call for pricing and availability
Not Shown	C9002528EP	O/S DOOR PANEL-RH *EP* (VDSC48)	1	EA	NO LONGER AVAILABLE, Not available online / Call for pricing and availability
Not Shown	C9002528FG	O/S DOOR PANEL-RH *FG* (VDSC48)	1	EA	NO LONGER AVAILABLE, Not available online / Call for pricing and availability
Not Shown	C9002528GG	O/S DOOR PANEL-RH *GG* (VDSC48)	1	EA	Not available online / Call for pricing and availability
Not Shown	C9002528LE	O/S DOOR PANEL-RH *LE* (VDSC48)	1	EA	NO LONGER AVAILABLE
Not Shown	C9002528MJ	O/S DOOR PANEL-RH *MJ* (VDSC48)	1	EA	NO LONGER AVAILABLE, Not available online / Call for pricing and availability
Not Shown	C9002528SG	O/S DOOR PANEL-RH *SG* (VDSC48)	1	EA	Not available online / Call for pricing and availability

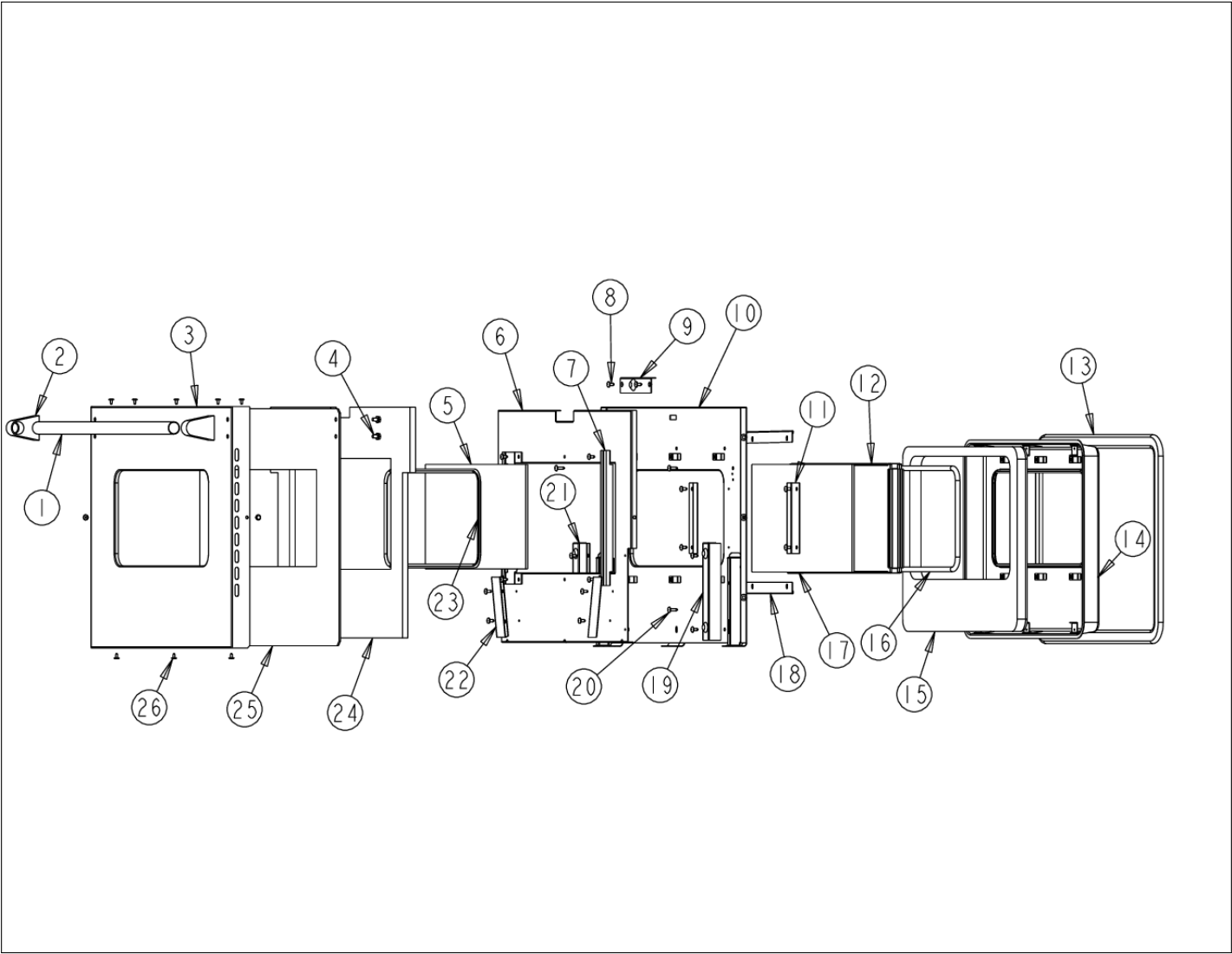


Item	Part No.	Name	Qty	Uom	NOTES
Not Shown	C9002528VB	O/S DOOR PANEL-RH *VB* (VDSC48)	1	EA	NO LONGER AVAILABLE, Not available online / Call for pricing and availability
Not Shown	C9002528WH	O/S DOOR PANEL-RH *WH* (VDSC48)	1	EA	NO LONGER AVAILABLE
4	PD010019	BLT-1/4-20X3/8"HEX WASHER SERATED	1	EA	
5	PE060030	OUTER DOOR GLASS	1	EA	
6	A2002169	DOOR INSULATION RETAINER (VDSC30)	1	EA	
7	A2002367	DOOR GLASS BRKT	1	EA	
8	PD020002	10 X 1/2 PH.TR.HD.SMS.	1	EA	
9	A20012192	DOOR LATCH COVER	1	EA	Not available online / Call for pricing and availability
10	G9102747	DR LINER ASY(VDSC30/48)REP H9102173	1	EA	
11	A2002189	DOOR GLASS STANDOFF (VDSC)	1	EA	
12	PE060064	WINDOW PACK, SELF CLEANING OVEN 30"	1	EA	
13	000623-000	DOOR GASKET(3/8"DIA.) (VDSC)	1	EA	
14	G9102745	DR PG ASSY VDSC30/48" RE H9102175 (Before 12/20/2012)	1	EA	
15	PB070076	WOOL INSULATION 1" X 21" X 3'	1	EA	
16	000594-000	BLACK FIBERGLASS ROPE 3/8	1	EA	
17	PE060039	GLASS-HEAT TREATED (HB2) VDSC	1	EA	
18	A2007943	GLASSPACK BRACKET, LARGE	1	EA	
19	A2002498	HINGE POCKET COVER RH	1	EA	
20	PD020014	10X3/4 PH TR HD SMS	1	EA	
21	A2002499	HINGE POCKET COVER LH	1	EA	
22	A2002497	DOOR GUIDE ANGLE VDSC	1	EA	
23	PE060031	J-MOLD (LARGE WINDOW)	1	EA	
Not Shown	PE060045	J-MOLD (LARGE WINDOW) *BR*	1	EA	
24	PB070145	SUPERWOOL 5" X 24" X 3'	1	EA	

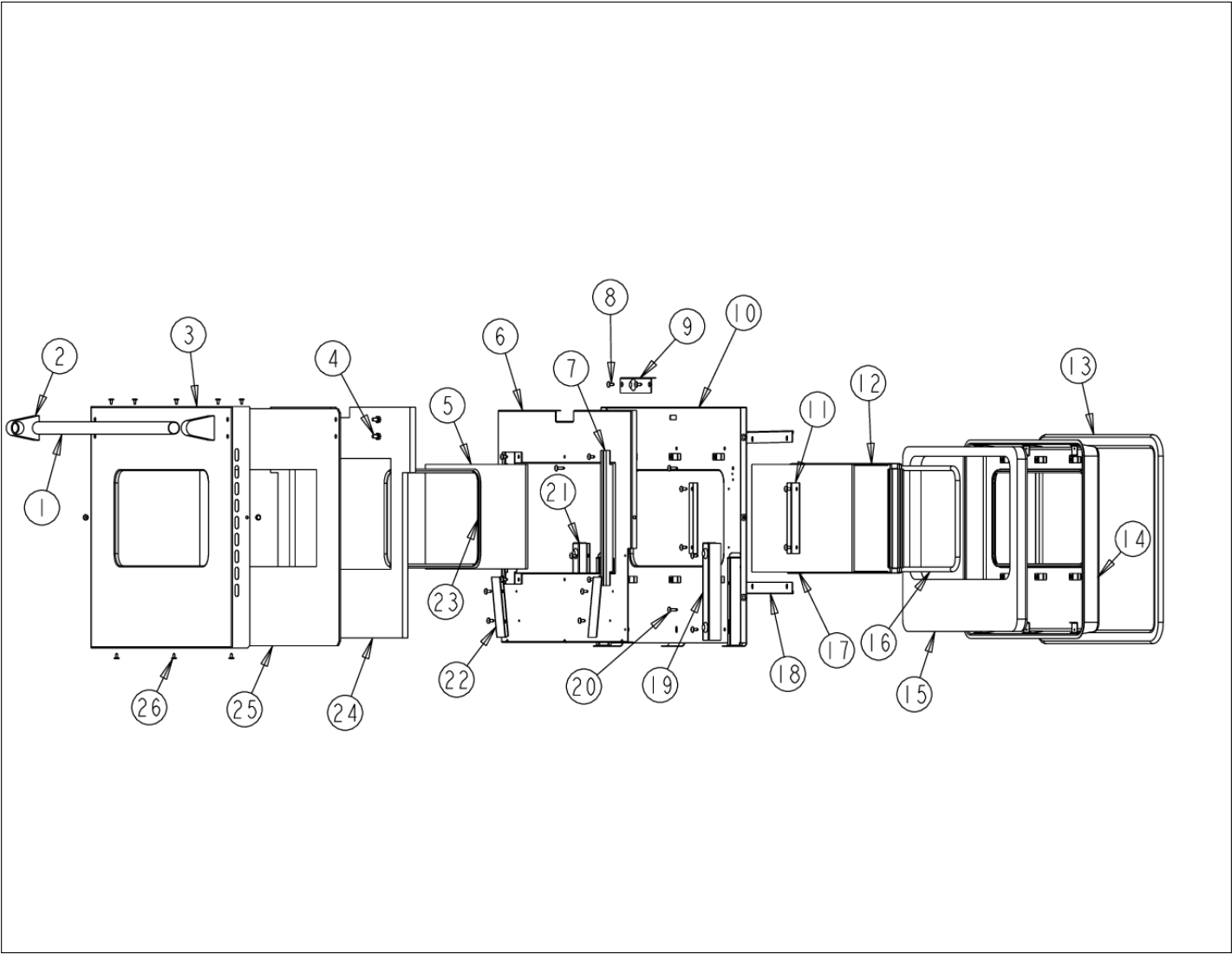




Item	Part No.	Name	Qty	Uom	NOTES
25	J1002594	OVEN DR HEAT SINK (VDSC30)	1	EA	
26	PD020032	SRW-8(A)X3/8"PH.WFR HD 7/16DIA*NICL	1	EA	
NI	G3202549AL	DOOR SUB-ASSY- RH *AL* (VDSC48)	1	EA	NO LONGER AVAILABLE, Not available online / Call for pricing and availability
Not Shown	G3202549ALBR	DOOR SUB-ASSY- RH *AL**BR* (VDSC48)	1	EA	NO LONGER AVAILABLE, Not available online / Call for pricing and availability
Not Shown	G3202549BK	DOOR SUB-ASSY- RH *BK* (VDSC48)	1	EA	Not available online / Call for pricing and availability
Not Shown	G3202549BKBR	DOOR SUB-ASSY- RH *BK**BR* (VDSC48)	1	EA	NO LONGER AVAILABLE
Not Shown	G3202549BT	DOOR SUB-ASSY-RH *BT* (VDSC48)	1	EA	NO LONGER AVAILABLE, Not available online / Call for pricing and availability
Not Shown	G3202549BTBR	COMPLETE DOOR ASSEMBLY - BTBR	1	EA	Not available online / Call for pricing and availability
Not Shown	G3202549BU	DOOR SUB-ASSY- RH *BU* (VDSC48)	1	EA	NO LONGER AVAILABLE
Not Shown	G3202549BUBR	DOOR SUB-ASSY- RH *BU**BR* (VDSC48)	1	EA	NO LONGER AVAILABLE, Not available online / Call for pricing and availability
Not Shown	G3202549CB	DOOR SUB-ASSY-RH *CB* (VDSC48)	1	EA	NO LONGER AVAILABLE, Not available online / Call for pricing and availability
Not Shown	G3202549CBBR	COMPLETE DOOR ASSEMBLY - CBBR	1	EA	Not available online / Call for pricing and availability
Not Shown	G3202549EP	DOOR SUB-ASSY- RH *EP* (VDSC48)	1	EA	NO LONGER AVAILABLE, Not available online / Call for pricing and availability



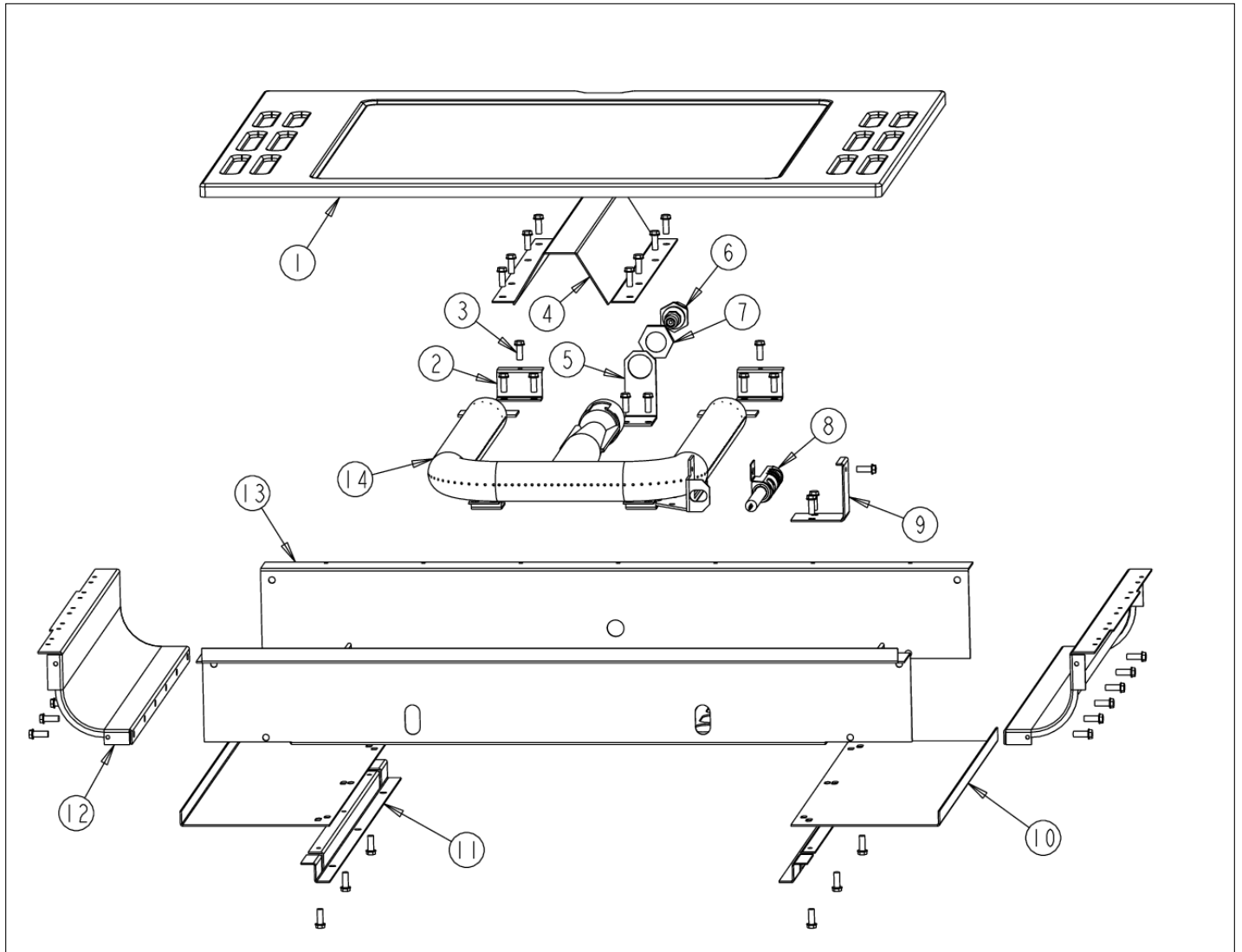
Item	Part No.	Name	Qty	Uom	NOTES
Not Shown	G3202549EPBR	COMPLETE DOOR ASSEMBLY - EPBR	1	EA	Not available online / Call for pricing and availability
Not Shown	G3202549FG	DOOR SUB-ASSY- RH *FG* (VDSC48)	1	EA	NO LONGER AVAILABLE, Not available online / Call for pricing and availability
Not Shown	G3202549FGBR	DOOR SUB-ASSY- RH *FG**BR* (VDSC48)	1	EA	NO LONGER AVAILABLE, Not available online / Call for pricing and availability
Not Shown	G3202549GG	DOOR SUB-ASSY-RH *GG* (VDSC48)	1	EA	NO LONGER AVAILABLE, Not available online / Call for pricing and availability
Not Shown	G3202549GGBR	DOOR SUB-ASSY- RH *GG*BR* (VDSC48)	1	EA	NO LONGER AVAILABLE, Not available online / Call for pricing and availability
Not Shown	G3202549LE	DOOR SUB-ASSY-RH *LE* (VDSC48)	1	EA	NO LONGER AVAILABLE, Not available online / Call for pricing and availability
Not Shown	G3202549LEBR	COMPLETE DOOR ASSEMBLY - LEBR	1	EA	Not available online / Call for pricing and availability
Not Shown	G3202549MJ	DOOR SUB-ASSY-RH *MJ* (VDSC48)	1	EA	NO LONGER AVAILABLE, Not available online / Call for pricing and availability
Not Shown	G3202549MJBR	COMPLETE DOOR ASSEMBLY - MJBR	1	EA	Not available online / Call for pricing and availability
Not Shown	G3202549SG	DOOR SUB-ASSY- RH *SG* (VDSC48)	1	EA	NO LONGER AVAILABLE
Not Shown	G3202549SGBR	COMPLETE DOOR ASSEMBLY - SGBR	1	EA	Not available online / Call for pricing and availability
Not Shown	G3202549SS	DOOR SUB-ASSY- RH *SS* (VDSC48)	1	EA	





Item	Part No.	Name	Qty	Uom	NOTES
Not Shown	G3202549SSBR	DOOR SUB-ASSY- RH *SS**BR* (VDSC48)	1	EA	NO LONGER AVAILABLE, Not available online / Call for pricing and availability
Not Shown	G3202549VB	DOOR SUB-ASSY- RH *VB* (VDSC48)	1	EA	NO LONGER AVAILABLE, Not available online / Call for pricing and availability
Not Shown	G3202549VBBR	DOOR SUB-ASSY- RH *VB**BR* (VDSC48)	1	EA	NO LONGER AVAILABLE, Not available online / Call for pricing and availability
Not Shown	G3202549WH	DOOR SUB-ASSY- RH *WH* (VDSC48)	1	EA	NO LONGER AVAILABLE, Not available online / Call for pricing and availability
Not Shown	G3202549WHBR	DOOR SUB-ASSY- RH *WH**BR* (VDSC48)	1	EA	NO LONGER AVAILABLE, Not available online / Call for pricing and availability

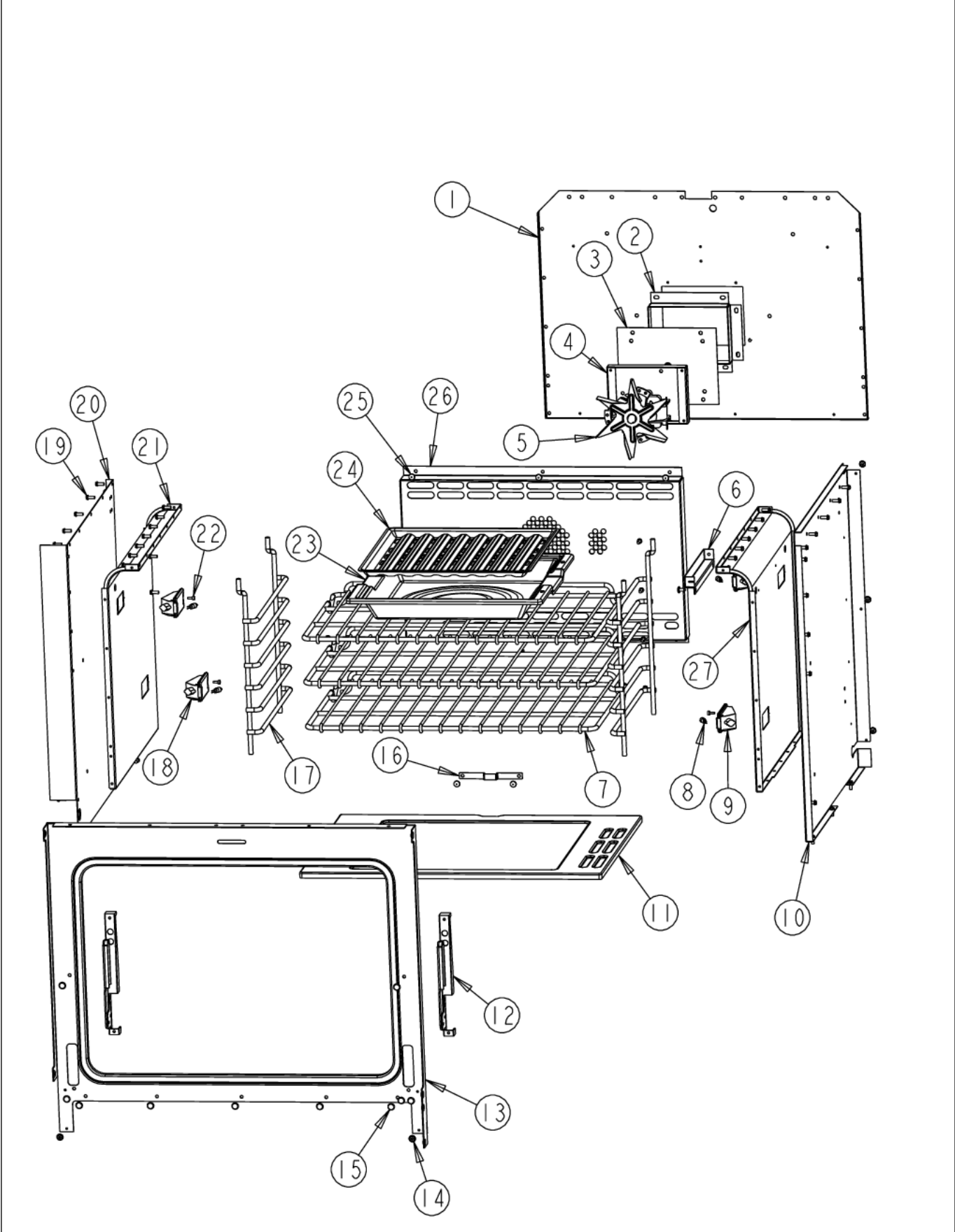
RH OVEN LOWER CAVITY AREA





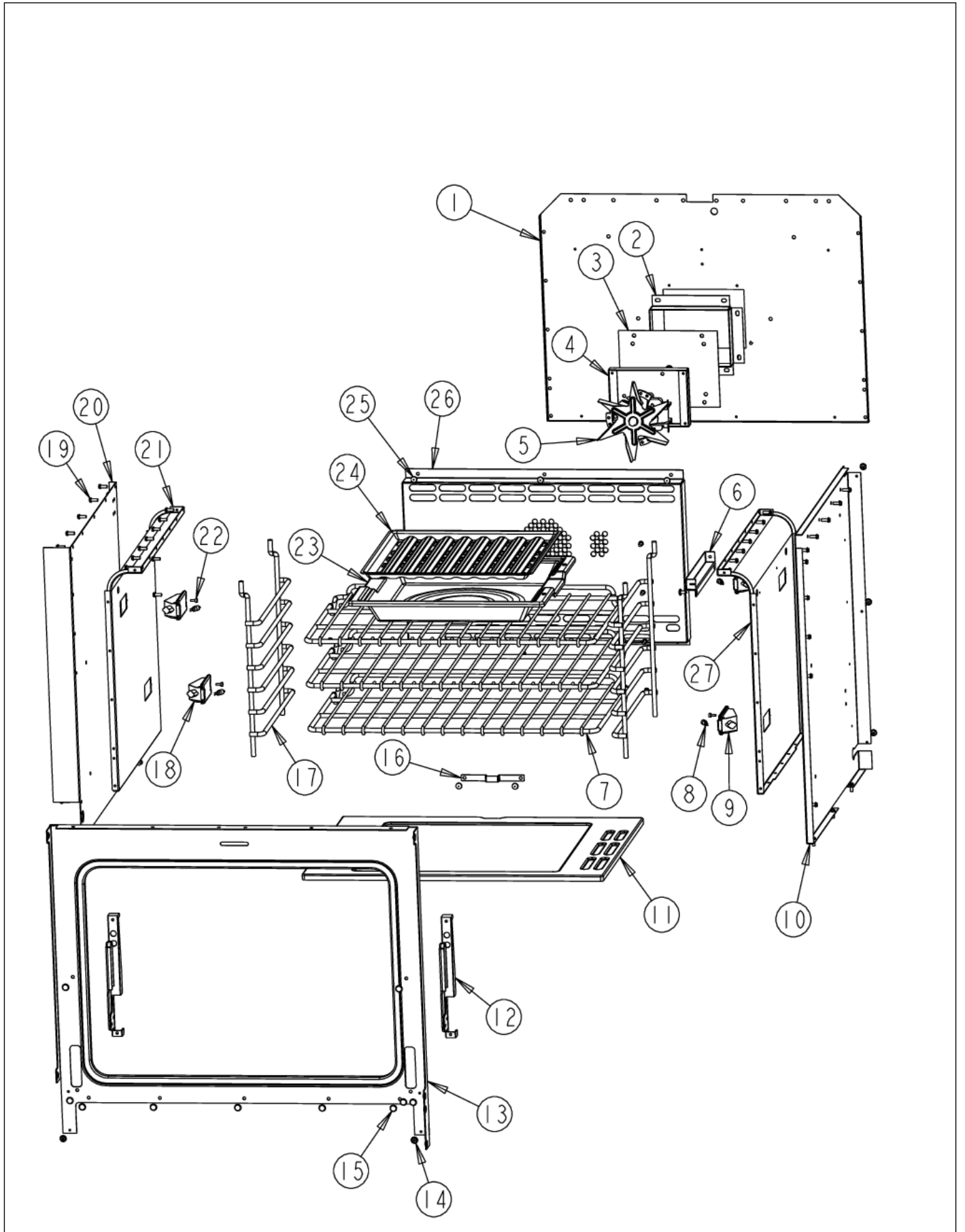
Item	Part No.	Name	Qty	Uom	NOTES
1	068456-000	ASM, BOTTOM, CAVITY, OVEN, GAS, 30", GRAY		EA	
Not Shown	NOTE	(INCLUDES HEAT SHIELD)		EA	
2	B2004415	BURNER BRACKET (VGSC306)		EA	
3	PD020060	10 X 1/2" (5/16)HEX WSHR HD.(T)A		EA	
4	A2004424	BURNER COVER (VGSC306)		EA	
5	A2004434	ORIFICE BRACKET (VGSC306)		EA	Not available online / Call for pricing and availability
6	PB040265	BULKHEAD ORIFICE FITTING		EA	
Not Shown	PB040246	SUB TO PB040035 - #51 ORIFICE HOOD		EA	NO LONGER AVAILABLE
7	PD030018	PALNUT - 3/4-16		EA	
8	PB040170	BAKE IGNITION ELECTRODE		EA	
9	A2004452	BOTTOM IGINATION BRACKET (VGSC306)		EA	
10	A20013316	CAVITY BOTTOM EXTENSION		EA	NO LONGER AVAILABLE, Not available online / Call for pricing and availability
11	A2004429	OVEN BOTTOM INSUL. BRACE (VGSC306)		EA	
12	E2104427	BURNER BOX SIDE RH (VGSC306)		EA	NO LONGER AVAILABLE, Not available online / Call for pricing and availability
13	A20010137	30" CAVITY BOTTOM/48" RH BOTTOM		EA	NO LONGER AVAILABLE, Not available online / Call for pricing and availability
14	006197-000	U-SHAPE BAKE BURNER 8"		EA	

RH OVEN MAIN CAVITY AREA





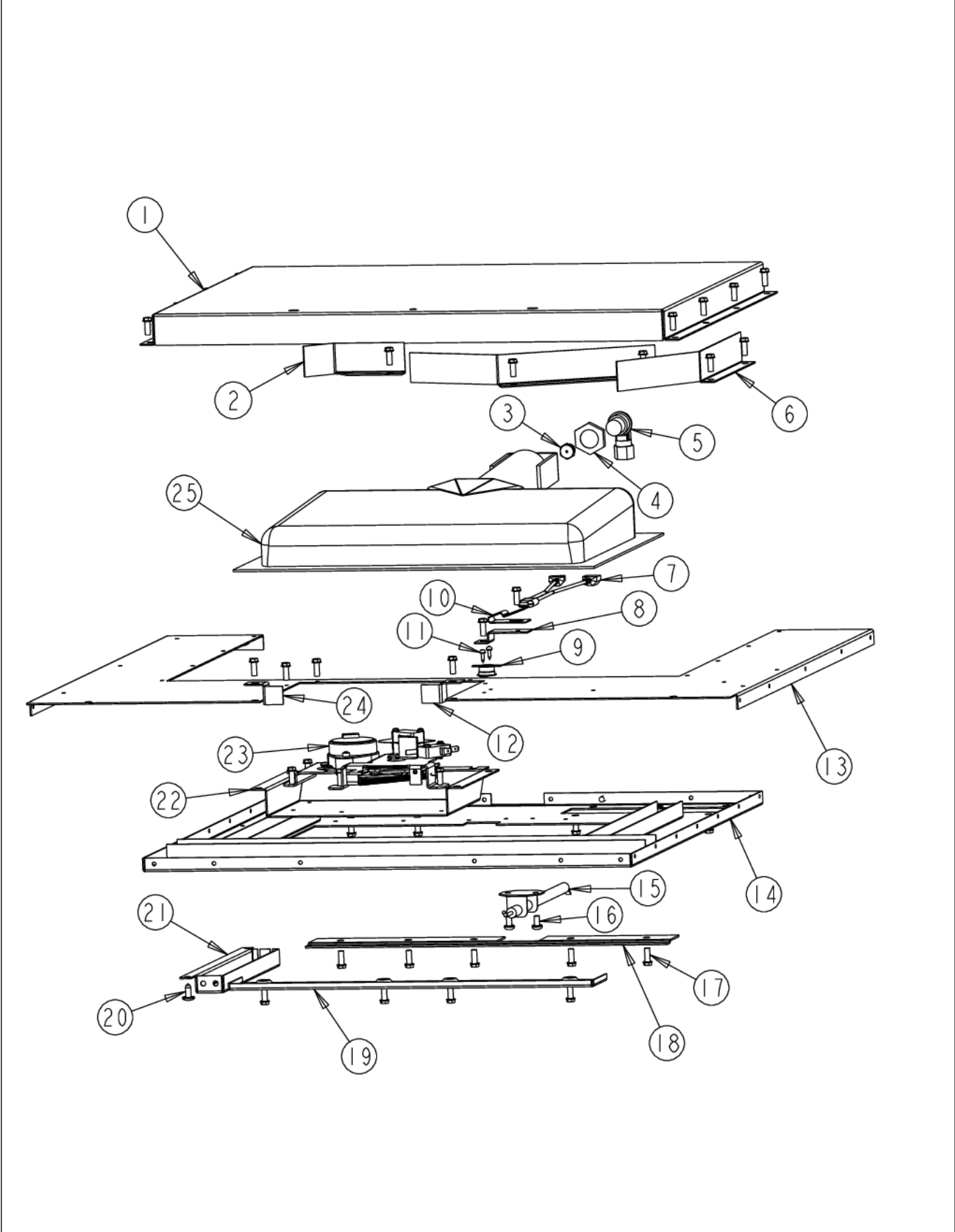
Item	Part No.	Name	Qty	Uom	NOTES
1	E9104405	OVEN BACK (VGSC306)		EA	NO LONGER AVAILABLE
2	A2008467	INSULATION SHIELD		EA	
3	A1002596	CONVECTION FAN COVER (VDSC)		EA	
4	A2002595	CONVECTION FAN BOX (VDSC)		EA	
5	PE050057	CONVECTION FAN (VGSC306)		EA	
6	A2004430	THERMAL BULB SHIELD (VGSC306)		EA	
7	PB060044	OVEN RK VDSC30/48RH REPL PB060019		EA	
8	PE050251	120V 25W HALOGEN APPLIANCE BULB		EA	
9	PE050148	OVEN LIGHT ASSY. W/32" CABLE		EA	
Not Shown	NOTE	Includes Bulb		EA	
10	A2005549	OVEN SIDE INSUL RETAINER R.H.		EA	NO LONGER AVAILABLE, Not available online / Call for pricing and availability
11	068456-000	ASM, BOTTOM, CAVITY, OVEN, GAS, 30", GRAY	1	EA	
NI	A2004439	OVEN BOTTOM SHIELD (VGSC306)	1	EA	
NI	008026-000	SCREW, TEK, #6-20 x 3/8, S.S.	12	EA	
12	PC020009	HINGE ASSY (BROWN)	2	EA	
13	G9102521	FRONT FRAME ASSY RH (VDSC48)		EA	
14	PD020073	SRW #10 X 24 X 3/8 WAFER HD TYPE23		EA	
15	PD020033	SRW-#10-24X1/2"(23)PH.WFR HD (NKL)		EA	
16	A2004428	REAR BOTTOM BRCKT (VGSC306)		EA	
17	PB060030	RACK SUPT REPL PB060010		EA	
18	PE050056	OVEN LIGHT ASSY 12V/5W		EA	
Not Shown	NOTE	Includes Bulb		EA	
19	PD020060	10 X 1/2" (5/16)HEX WSHR HD.(T)A		EA	





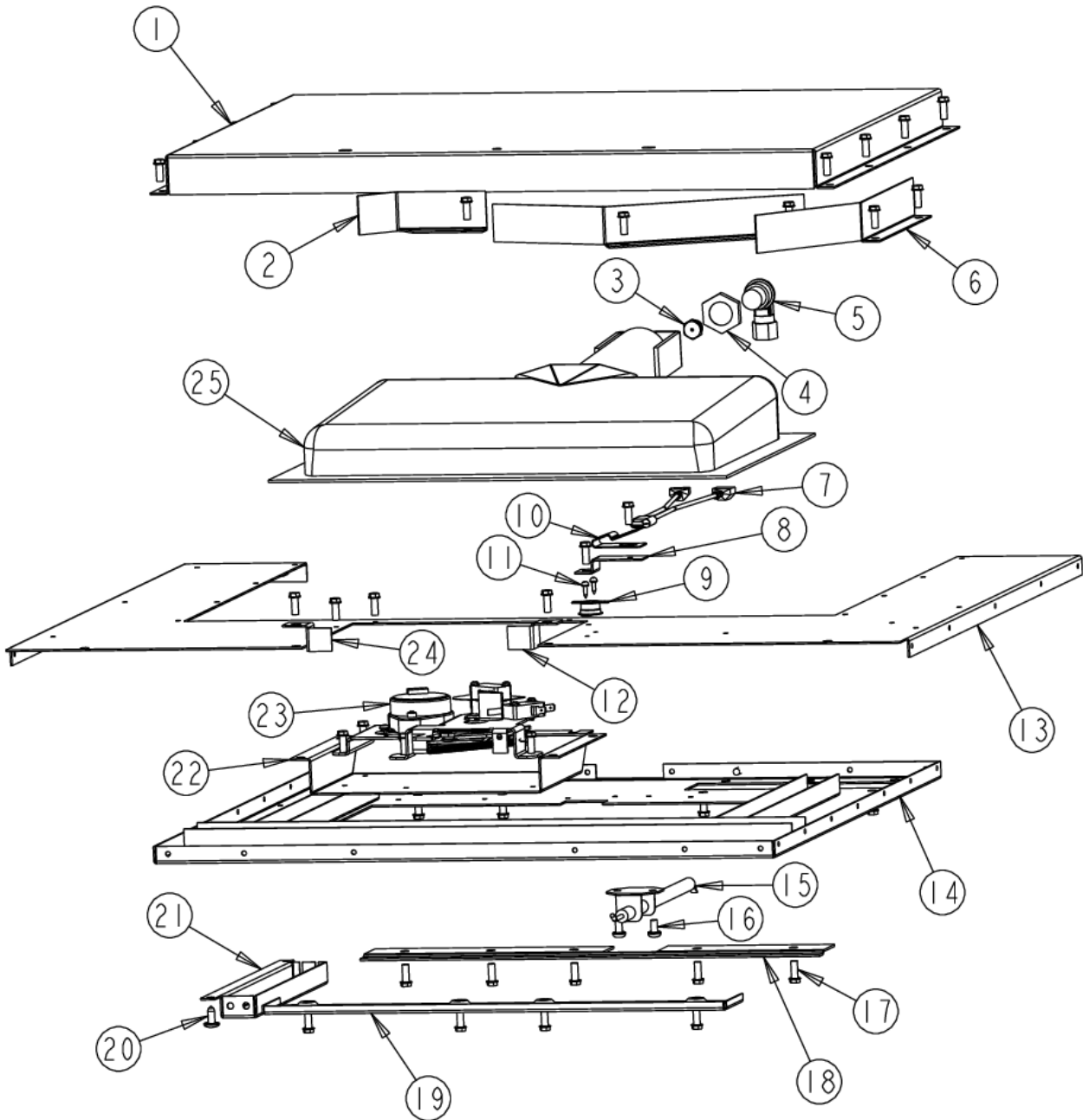
Item	Part No.	Name	Qty	Uom	NOTES
20	A2005677	OVEN SIDE INSULATION RETAINER RH		EA	
21	G9104453	OVEN SIDE ENAMELED ASSY (VGSC306)		EA	NO LONGER AVAILABLE, Not available online / Call for pricing and availability
22	PD020067	' #6 X 3/8" PAN PHIL. TEK *SS*		EA	
23	E9107933	BROILER PAN		EA	
24	E9107934	BROILER PAN INSERT - NLA		EA	
25	PD020002	10 X 1/2 PH.TR.HD.SMS.		EA	
26	G9104482	CONVECTION FAN COVER ASSY (VGSC306)		EA	
27	G9104491	OVEN TANK WELD ASSY. R.H.		EA	NO LONGER AVAILABLE, Not available online / Call for pricing and availability

RH OVEN UPPER AREA





Item	Part No.	Name	Qty	Uom	NOTES
1	A2005561	TOP INSULATION BOX	1	EA	NO LONGER AVAILABLE, Not available online / Call for pricing and availability
2	A20013315	TOP AIR BAFFLE	1	EA	NO LONGER AVAILABLE, Not available online / Call for pricing and availability
3	PB040040	ORIFICE-IR BURNER (VGSC)	1	EA	
Not Shown	PB040027	IR BUR.SPUD ORF. - #56 LP	1	EA	
4	PD030018	PALNUT - 3/4-16	1	EA	
5	PB040178	90 DEGREE ORIFICE FITTING (VGSC306)	1	EA	
6	A2005548	TOP AIR DIVERTER	1	EA	NO LONGER AVAILABLE, Not available online / Call for pricing and availability
7	PE050059	HI-LIMIT SWITCH	1	EA	
8	A2005676	VGSC HIGH LIMIT BRACKET	1	EA	
9	PJ030006	SWITCH (COOLING FAN)	1	EA	
10	PD030062	.250 HI-LIMIT SWITCH CLAMP(VGSC306)	1	EA	
11	PD020013	TYPE "AB" #6 X 3/8 PH PAN HD. SMS	1	EA	
12	A20012914	DOOR GASKET BRACKET RH	1	EA	NO LONGER AVAILABLE, Not available online / Call for pricing and availability
13	A2005580	TOP INSULATION RETAINER RH	1	EA	NO LONGER AVAILABLE, Not available online / Call for pricing and availability
14	G9104440	OVEN TOP WELD ASSY (VGSC306)	1	EA	NO LONGER AVAILABLE
15	PB040171	BROIL IGNITION ELECTRODE	1	EA	
16	PD020004	10X3/8PH.HD.TYPE 25 REPL PD040125	1	EA	
17	PD020060	10 X 1/2" (5/16)HEX WSHER HD.(T)A	1	EA	

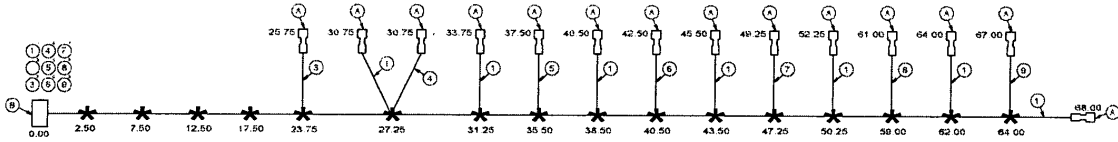




Item	Part No.	Name	Qty	Uom	NOTES
18	B2005589	REAR BROILER BRACKET	1	EA	Not available online / Call for pricing and availability
19	B2001448	IR BROIL SUPT (FRONT)	1	EA	
20	PD020002	10 X 1/2 PH.TR.HD.SMS.	1	EA	
21	A2004411	AUTO RESET SHIELD (VGSC306)	1	EA	Not available online / Call for pricing and availability
22	A2004423	DOOR LOCK BOX (VGSC306)	1	EA	
23	PE050053	DR LATCH REPL PE050020	1	EA	
24	A20012913	DOOR GASKET BRACKET LH	1	EA	NO LONGER AVAILABLE, Not available online / Call for pricing and availability
25	G3001876	IR BURNER ASSY (VGSC/RC) N/S	1	EA	

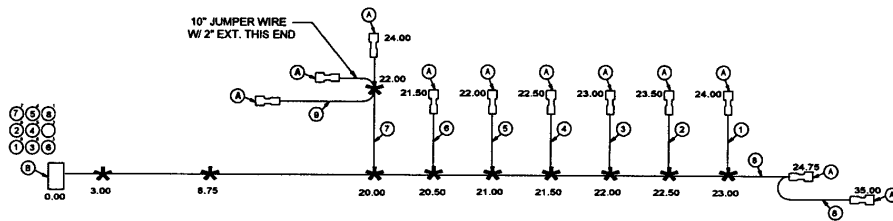
## SIMPLE HARNESSES 1

1



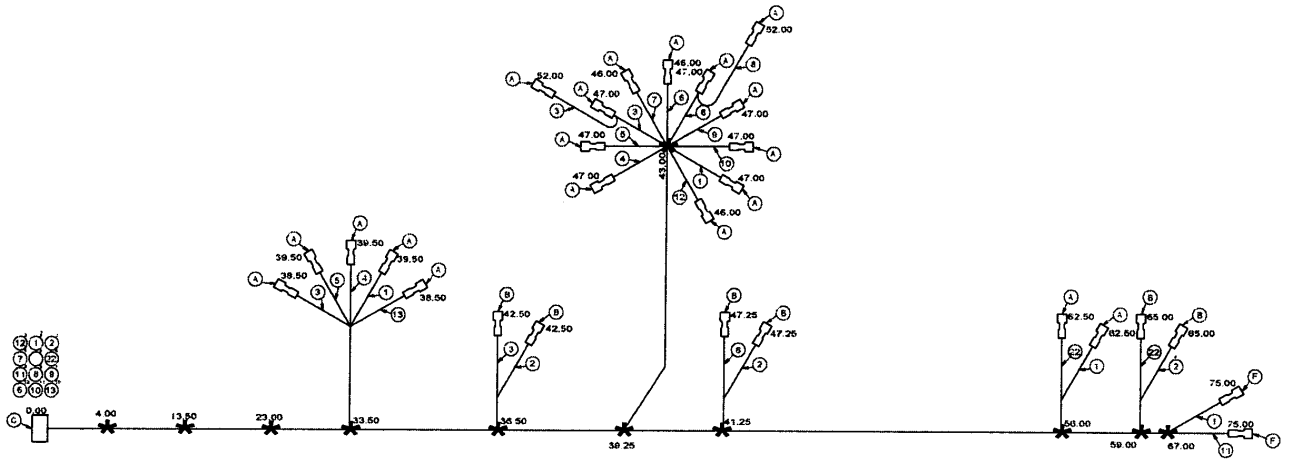
KEY	COLOR	SIZE	DESCRIPTION
1	BLACK	18	9 PIN TO SW#1 TO SW#2 TO SW#4 TO SW#5 TO SW#6 TO SW#7 TO SW#8
2			
3	RED	18	9 PIN TO SW#8
4	RED	18	9 PIN TO SW#7
5	RED	18	9 PIN TO SW#6
6	RED	18	9 PIN TO SW#5
7	RED	18	9 PIN TO SW#4
8	RED	18	9 PIN TO SW#2
9	RED	18	9 PIN TO SW#1

2



KEY	COLOR	SIZE	DESCRIPTION
1	RED	18	9 PIN TO MODULE 1
2	RED	18	9 PIN TO MODULE 2
3	RED	18	9 PIN TO MODULE 3
4	RED	18	9 PIN TO MODULE 4
5	RED	18	9 PIN TO MODULE 5
6	RED	18	9 PIN TO MODULE 6
7	RED	18	9 PIN TO GRILL MODULE
8	BLACK	18	9 PIN TO MODULE L1 TO TERMINAL BLOCK L1
9	WHITE	18	ATTACHED 10" JUMPER WIRE W/ 2" EXT. THIS END

3



KEY	COLOR	SIZE	DESCRIPTION
1	BLACK	18	LIGHT SWITCH TO LH THERMOSTAT TO SELECTOR POS 5 TO THERMOSTAT POS 1 TO 12 PIN
2	WHITE	18	LH CYCLE LIGHT TO CLEAN LIGHT TO CYCLE LIGHT TO 12 PIN
3	WH/VIO	18	SEL POS 1 TO SEL POS 2 TO THERMOSTAT POS 2 TO CYCLE LIGHT
4	PURPLE	18	SEL POS 3 TO THERMOSTAT N.C.
5	WH/RED	18	SEL POS 4 TO THERMOSTAT N.O.
6	RED/WH	18	SEL POS 6 TO CLEAN LIGHT TO 12 PIN
7	WH/BLK	18	SEL POS 7 TO 12 PIN
8	RED	18	SEL POS 8 TO SEL POS 11 TO 12 PIN
9	YEL/RED	18	SEL POS 9 TO 12 PIN
10	YEL/ORG	18	SEL POS 10 TO 12 PIN
11	RED/BLU	18	LIGHT SWITCH TO 12 PIN
12	YEL/BLK	18	SEL POS 12 TO 12 PIN
13	YELLOW	18	THERMOSTAT COMMON TO 12 PIN
22	YELLOW	18	LH THERMOSTAT TO LH CYCLE LIGHT TO 12 PIN



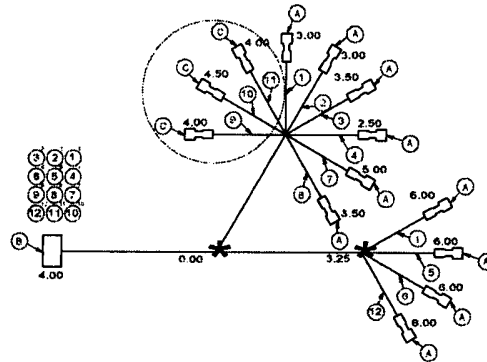


Item	Part No.	Name	Qty	Uom	NOTES
1	PE070401	VGSC486-6Q IGNITOR SWITCH HARNESS	1	EA	
2	PE070784	HARNESS, SPARK MODULE (VGSC4876Q)	1	EA	NO LONGER AVAILABLE, Not available online / Call for pricing and availability
3	PE070397	VGSC486-6Q TOP HARNESS	1	EA	

## SIMPLE HARNESSES 2

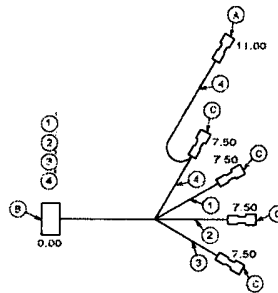
1

KEY	COLOR	SIZE	DESCRIPTION
1	BLACK	18	12 PIN TO L1 TO T4
2	WHITE	18	12 PIN TO NEUTRAL
3	YEL/RED	18	12 PIN TO LS1
4	WH/VIO	18	12 PIN TO LS2
5	WH/RED	18	12 PIN TO T3
6	YEL/ORG	18	12 PIN TO T2
7	RED/WH	18	12 PIN TO SEL
8	WH/BLK	18	12 PIN TO M1
9	YEL/GRN	18	12 PIN TO VC
10	RED/BLUE	18	12 PIN TO SENSOR 4
11	WH/GRN	18	12 PIN TO SENSOR 5
12	WH/ORG	18	12 PIN TO T1



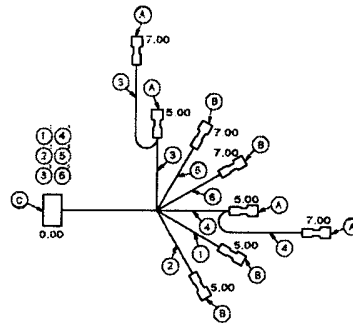
2

KEY	COLOR	SIZE	DESCRIPTION
1	RED/WH	18	4 PIN TO COIL
2	WHITE	18	4 PIN TO COIL
3	YEL/RED	18	4 PIN TO POS 7
4	YELLOW	18	4 PIN TO POS 4 TO AUTOREST #1



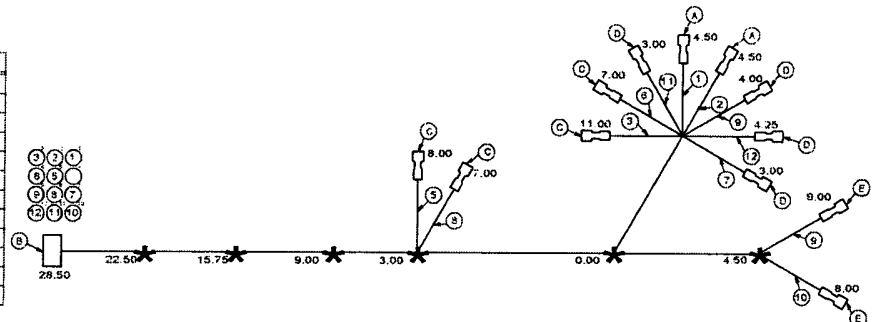
3

KEY	COLOR	SIZE	DESCRIPTION
1	RED/WH	18	6 PIN TO TRANSFORMER #2
2	WH/BLUE	18	6 PIN TO TRANSFORMER #2
3	WHITE	18	6 PIN TO TRANSFORMER #1 TO TRANSFORMER #2
4	RED/BLUE	18	6 PIN TO TRANSFORMER #1 TO TRANSFORMER #2
5	WH/BLUE	18	6 PIN TO TRANSFORMER #1
6	RED/WH	18	6 PIN TO TRANSFORMER #1



4

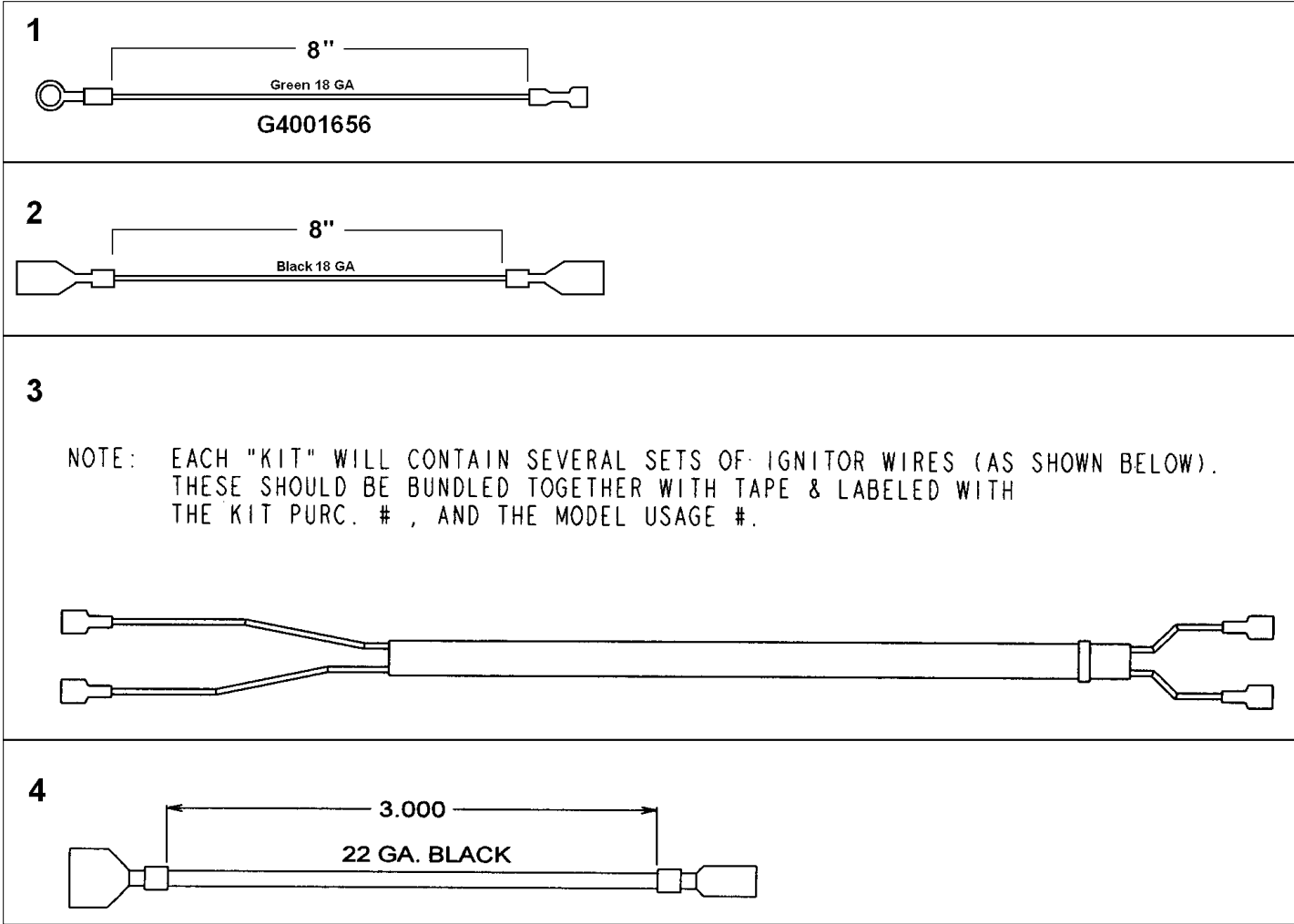
KEY	COLOR	SIZE	DESCRIPTION
1	BLACK	18	12 PIN TO HIGH LIMIT
2	BLACK	18	12 PIN TO HIGH LIMIT
3	BLACK	18	12 PIN TO FAN LIMIT
4			
5	WHITE	18	12 PIN TO LOCK MOTOR
6	WH/RED	18	12 PIN TO FAN LIMIT
7	YELLOW	18	12 PIN TO SWITCH #3
8	WH/BLK	18	12 PIN TO LOCK MOTOR
9	YEL/GRN	18	12 PIN TO SWITCH #2 TO SWITCH #1
10	RED/BLUE	18	12 PIN TO SWITCH #1
11	WH/GRN	18	12 PIN TO SWITCH #2
12	WH/ORG	18	12 PIN TO SWITCH #3





Item	Part No.	Name	Qty	Uom	NOTES
1	PE070390	TIMER BOARD HARNESS	1	EA	NO LONGER AVAILABLE, Not available online / Call for pricing and availability
2	PE070391	RELAY HARNESS	1	EA	NO LONGER AVAILABLE, Not available online / Call for pricing and availability
3	PE070392	TRANSFORMER HARNESS	1	EA	NO LONGER AVAILABLE, Not available online / Call for pricing and availability
4	PE070393	DOOR LOCK HARNESS	1	EA	NO LONGER AVAILABLE, Not available online / Call for pricing and availability

SIMPLE WIRING





Item	Part No.	Name	Qty	Uom	NOTES
1	G4001656	SPARK MODULE GROUND WIRE	1	EA	
2	G4000935	BAKE/BROIL JUMPER WIRE - VGR/VCM	1	EA	
3	PE070788	IGNITOR WIRE KIT - VGSC487-6Q	1	EA	
4	G40013897	PIGGYBACK JUMPER WIRE	1	EA	NO LONGER AVAILABLE



Appendix A:Pages Index

BURNER BOX EXTERIOR AREA ..... 1  
BURNER BOX INTERIOR AREA ..... 2  
CONTROL PANEL AREA ..... 3  
DRIP TRAY AREA ..... 4  
GRILL SUBASSEMBLY AREA ..... 5  
LH DOOR ASSEMBLY ..... 6  
LH OVEN LOWER CAVITY AREA ..... 7  
LH OVEN MAIN CAVITY AREA ..... 8  
LH OVEN UPPER AREA ..... 9  
LOWER UNIT AND SIDE PANELS ..... 10  
REAR ELECTRONICS ..... 11  
REAR MAIN HARNESS ..... 12  
REAR UNIT AND AIR VENTING ..... 13  
RH DOOR ..... 14  
RH OVEN LOWER CAVITY AREA ..... 15  
RH OVEN MAIN CAVITY AREA ..... 16  
RH OVEN UPPER AREA ..... 17  
SIMPLE HARNESSES 1 ..... 18  
SIMPLE HARNESSES 2 ..... 19  
SIMPLE WIRING ..... 20



## Appendix B:Parts Index

000268-000	6, 14	A20013316	7, 15
000594-000	6, 14	A20013318	9, 13
000623-000	6, 14	A20013319	2
001394-042	2	A20014424	2
001394-043	2	A20014430	2
002569-000	3	A2001631	5
003322-040	1	A2001633	5
003517-000	3	A2001855	5
006197-000	15	A2001863	5
007147-000	3	A2002169	14
008026-000	16	A2002189	6, 14
009197-000	1	A2002367	14
018200-000	1	A2002482	10
019503-000	10	A2002497	14
031445-403	8	A2002498	6, 14
050172-000	3	A2002499	6, 14
068456-000	15, 16	A2002500	10
068457-000	7	A2002501	10
A1001138	3	A2002539	2
A1002456	11	A2002544	2
A1002492	2	A2002545	2
A1002596	16	A2002595	16
A1005571	7	A2004411	17
A1005678	9	A2004423	17
A1005686	13	A2004424	15
A1006344	2	A2004428	8, 16
A1007861	5	A2004429	7, 15
A20010137	15	A2004430	16
A20010139	7	A2004434	15
A20010162	5	A2004439	16
A20010470	5	A2004452	15
A20010693	4	A2004458	11
A20011234	1	A2004464	13
A2001132	5	A2004468	13
A20012192	14	A2004469	13
A20012913	17	A2004470	13
A20012914	17	A2004481	10
A20012922	7	A2005414	11
A20013307	2	A2005548	17
A20013315	17	A2005549	16
		A2005550	8



A2005560	9	C90010179FG	10
A2005561	17	C90010179GG	10
A2005576	8, 9	C90010179LE	10
A2005577	8	C90010179MJ	10
A2005578	13	C90010179SG	10
A2005579	7	C90010179VB	10
A2005580	17	C90010179WH	10
A2005582	13	C90010180AL	10
A2005583	13	C90010180BK	10
A2005584	10	C90010180BT	10
A2005665	7	C90010180BU	10
A2005676	17	C90010180CB	10
A2005677	16	C90010180EP	10
A2005685	13	C90010180FG	10
A2007858	1	C90010180GG	10
A2007863	5	C90010180LE	10
A2007871	5	C90010180MJ	10
A2007942	6	C90010180SG	10
A2007943	14	C90010180VB	10
A2008467	16	C90010180WH	10
B20010152	4	C9001241AL	10
B20010163	5	C9001241BK	10
B20010179	10	C9001241BT	10
B20010180	10	C9001241BU	10
B2001241	10	C9001241CB	10
B20012923	1	C9001241EP	10
B20012924	1	C9001241FG	10
B2001448	17	C9001241GG	10
B2002504	6	C9001241LE	10
B2002528	14	C9001241MJ	10
B2004415	15	C9001241SG	10
B2005589	17	C9001241VB	10
B2005683	8	C9001241WH	10
B2009846	5	C9002504AL	6
B9205597	3	C9002504BK	6
C90010179AL	10	C9002504BT	6
C90010179BK	10	C9002504BU	6
C90010179BT	10	C9002504CB	6
C90010179BU	10	C9002504EP	6
C90010179CB	10	C9002504FG	6
C90010179EP	10	C9002504GG	6





C9002504LE	6	E9107934	16
C9002504MJ	6	E9109801AL	1
C9002504SG	6	E9109801BK	1
C9002504VB	6	E9109801BT	1
C9002504WH	6	E9109801CB	1
C9002528AL	14	E9109801EP	1
C9002528BK	14	E9109801FG	1
C9002528BT	14	E9109801GG	1
C9002528BU	14	E9109801LE	1
C9002528CB	14	E9109801MJ	1
C9002528EP	14	E9109801SG	1
C9002528FG	14	E9109801VB	1
C9002528GG	14	E9109801WH	1
C9002528LE	14	G30010697	4
C9002528MJ	14	G30012657	5
C9002528SG	14	G30013336	4
C9002528VB	14	G3001876	17
C9002528WH	14	G3004414	13
C9005683AL	8	G3004444	13
C9005683BK	8	G3005680	13
C9005683BT	8	G3009843	3
C9005683BU	8	G3202549AL	14
C9005683CB	8	G3202549ALBR	14
C9005683EP	8	G3202549BK	14
C9005683FG	8	G3202549BKBR	14
C9005683GG	8	G3202549BT	14
C9005683LE	8	G3202549BTBR	14
C9005683MJ	8	G3202549BU	14
C9005683SG	8	G3202549BUBR	14
C9005683VB	8	G3202549CB	14
C9005683WH	8	G3202549CBBR	14
C93012923BR	1	G3202549EP	14
C93012924BR	1	G3202549EPBR	14
E20013325	13	G3202549FG	14
E2104427	7, 15	G3202549FGBR	14
E9101130BK	1	G3202549GG	14
E9102668	6	G3202549GGBR	14
E9104405	16	G3202549LE	14
E9105566	9	G3202549LEBR	14
E9105572	8	G3202549MJ	14
E9107933	16	G3202549MJBR	14



G3202549SG	14	G9102521	16
G3202549SGBR	14	G9102745	14
G3202549SS	14	G9102747	14
G3202549SSBR	14	G9104440	17
G3202549VB	14	G9104453	16
G3202549VBBR	14	G9104482	16
G3202549WH	14	G9104491	16
G3202549WHBR	14	G9105564	8
G3205588	8	G9105565	8
G3205671AL	6	G9105574	8
G3205671ALBR	6	G9109808	1
G3205671BK	6	G9109808AL	1
G3205671BKBR	6	G9109808BT	1
G3205671BT	6	G9109808CB	1
G3205671BTBR	6	G9109808EP	1
G3205671BU	6	G9109808FG	1
G3205671BUBR	6	G9109808GG	1
G3205671CB	6	G9109808LE	1
G3205671CBBR	6	G9109808MJ	1
G3205671EP	6	G9109808SG	1
G3205671EPBR	6	G9109808VB	1
G3205671FG	6	G9109808WH	1
G3205671FGBR	6	G93011461PVD	4
G3205671GG	6	H9102507	6
G3205671GGBR	6	H9105672	6
G3205671LE	6	J1002506	6
G3205671LEBR	6	J1002594	14
G3205671MJ	6	J2101749	4
G3205671MJBR	6	PA010012	3
G3205671SG	6	PA010039	3
G3205671SGBR	6	PA010040	3
G3205671SS	6	PA010080	3
G3205671SSBR	6	PA010081	3
G3205671VB	6	PA010100	1
G3205671VBBR	6	PA010139	11
G3205671WH	6	PA010185	3
G3205671WHBR	6	PA020028	5
G4000935	20	PA020035	11
G40013897	20	PA020045	3
G4001656	20	PA020048	11
G4008493	2	PA050086	2



PA060054	1	PB070079	13
PA060058	1	PB070140	2
PA060059	1	PB070145	14
PA060062	1	PC020003	8
PA070003	3	PC020009	16
PA080075	2	PC030007	10
PA080083	1	PC030017	10
PA080086	1	PD010003	11
PB010035	3	PD010006	10
PB010101	3	PD010012	3
PB010102	3	PD010019	6, 14
PB010186	3	PD020002	1, 3, 5, 6, 11, 13, 14, 16, 17
PB010187	3	PD020004	5, 17
PB010188	3	PD020006	4, 11
PB010206	3	PD020010	13
PB010207	3	PD020013	17
PB010209	3	PD020014	14
PB020025	5	PD020032	6, 8, 10, 14
PB020192	2	PD020033	1, 3, 8, 16
PB020193	2	PD020044	3, 11
PB040027	17	PD020053	11
PB040040	17	PD020060	1, 2, 3, 7, 8, 9, 10, 11, 13, 15, 16, 17
PB040062	7	PD020067	8, 16
PB040170	7, 15	PD020073	3, 8, 10, 16
PB040171	17	PD020079	4
PB040178	17	PD030005	3
PB040194	2	PD030006	6
PB040217	2	PD030018	7, 15, 17
PB040229	7	PD030029	10
PB040246	15	PD030031	8, 9
PB040265	15	PD030033	11
PB040273	7	PD030062	17
PB050063	1	PD030109	2
PB050065	7	PD030118	2
PB050077	5	PD030119	2
PB050080	7	PD040004	4
PB050081	1	PD040028	4
PB060030	8, 16	PE010030	6
PB060044	16	PE010031	6
PB060046	8	PE010068	6
PB070076	6, 14	PE010076	6



PE030001PVD	6, 14	PK000007	4
PE030005	14	PK000008	4
PE030008	6	PM010029	11
PE030012PVD	14		
PE030014PVD	6		
PE050001	11		
PE050016	3		
PE050017	3		
PE050023	3		
PE050024	3		
PE050026	11		
PE050053	17		
PE050056	8, 16		
PE050057	16		
PE050059	17		
PE050148	8, 16		
PE050251	8, 16		
PE060030	14		
PE060031	14		
PE060032	6		
PE060039	14		
PE060045	14		
PE060046	6		
PE060048	6		
PE060049	6		
PE060062	6		
PE060064	14		
PE070148	11		
PE070389	12		
PE070390	19		
PE070391	19		
PE070392	19		
PE070393	19		
PE070397	18		
PE070401	18		
PE070468	11		
PE070784	18		
PE070788	20		
PJ030002	11		
PJ030006	17		
PJ030015	3		