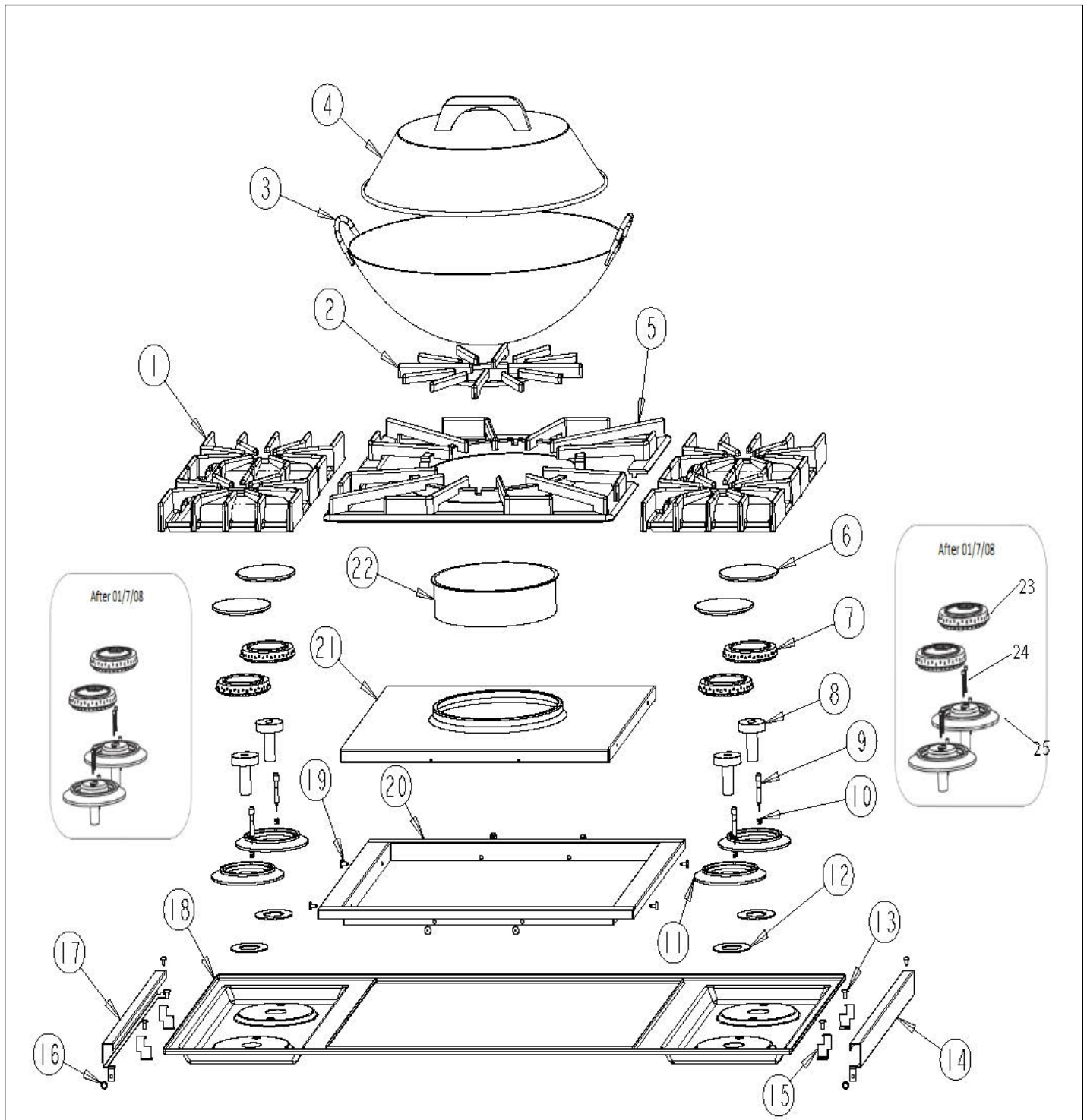


VGSC487-4K

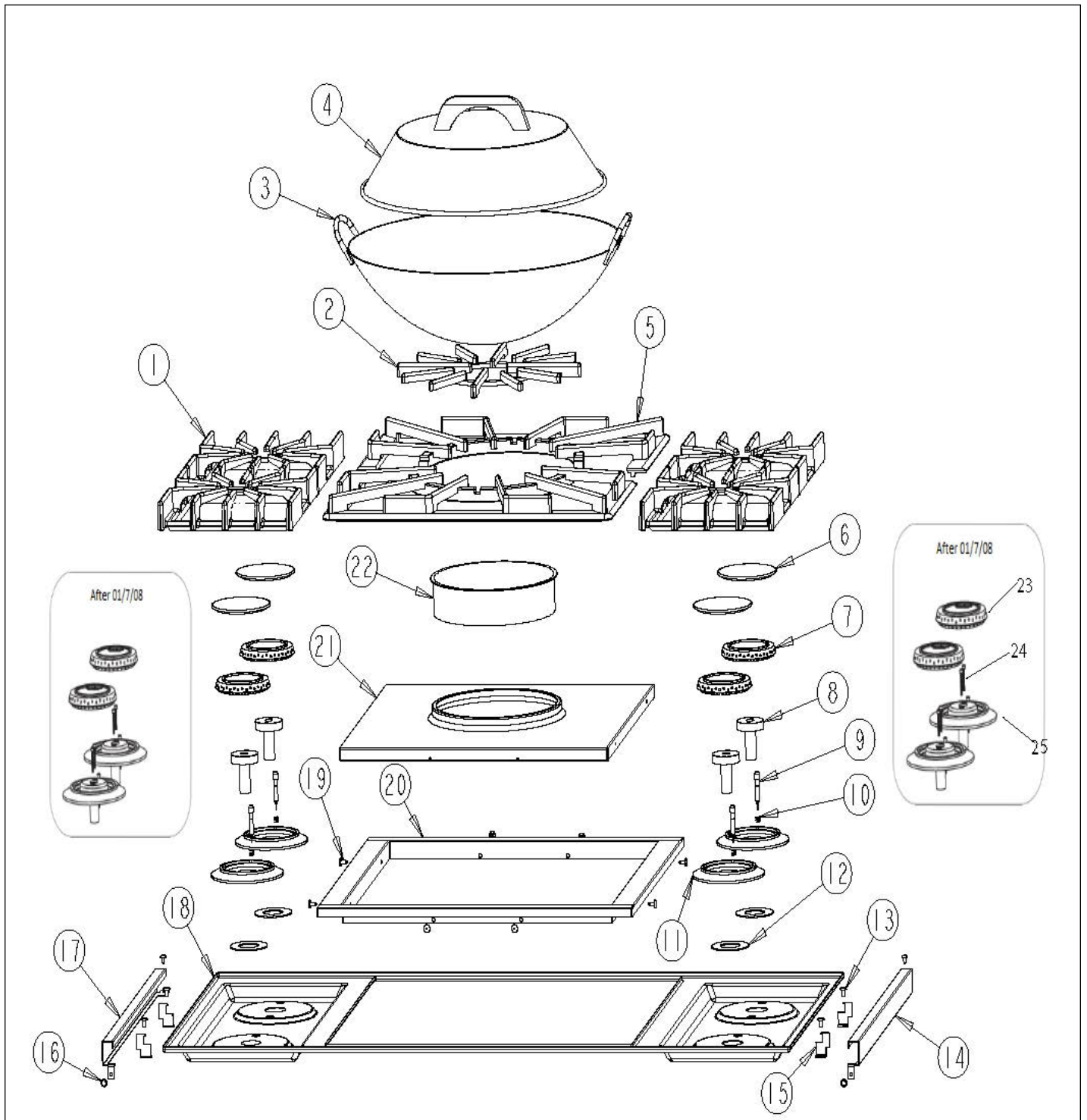
BURNER BOX EXTERIOR	1
BURNER BOX INTERIOR	2
CONTROL AREA	3
DRIP TRAY	4
FLUE AND BACK AREA	5
LH DOOR	6
LH OVEN LOWER AREA	7
LH OVEN MAIN CAVITY AREA	8
LH OVEN UPPER AREA	9
LOWER UNIT AND SIDE PANELS	10
REAR ELECTRONICS	11
REAR MAIN HARNESS	12
RH DOOR	13
RH OVEN LOWER AREA	14
RH OVEN MAIN CAVITY	15
RH OVEN UPPER AREA	16
SIMPLE HARNESSES 1	17
SIMPLE HARNESSES 2	18
SIMPLE WIRING	19
TOP HARNESS	20
WOK SUBASSEMBLY	21
Appendix A:Pages Index	A
Appendix B:Parts Index	B

BURNER BOX EXTERIOR



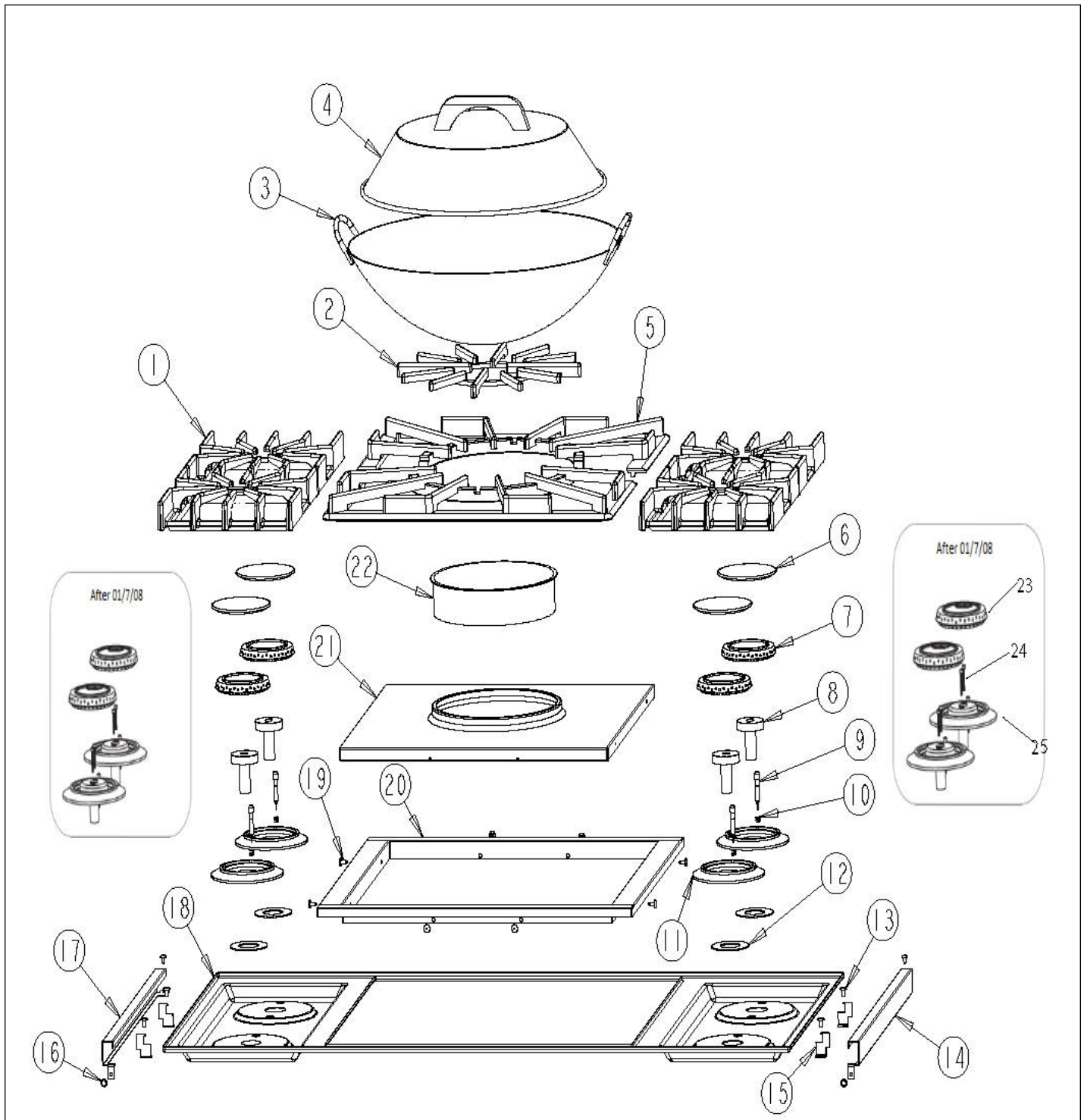


Item	Part No.	Name	Qty	Uom	NOTES
1	PA060054	Burner Grate - BK	1	EA	
Not Shown	PA060062	Burner Grate - GR	1	EA	
2	PA060044	CENTER GRATE (24" WOK)	1	EA	
3	PM010043	CARBON STEEL WOK	1	EA	
4	PM010044	WOK LID FOR PM010043	1	EA	
5	PA060083	WOK GRATE	1	EA	THIS IS A 1/2 SIZE GRATE. IF FULL GRATE IS NEEDED YOU MUST ORDER 2
6	PA080083	D BURNER CAP *MATTE BLACK*	1	EA	
Not Shown	PA080086	Burner Cap - GR	1	EA	
7	PB050063	Burner Head	1	EA	
8	PA010100	Burner Venturi	1	EA	
Not Shown	NOTE	(BEFORE 01/07/08)		EA	
9	N/A	Glazed Electrode	1	EA	
Not Shown	NOTE	(MUST ORDER ITEM 11)		EA	
10	N/A	Igniter Spring	1	EA	
Not Shown	NOTE	(MUST ORDER ITEM 11)		EA	
11	PB050081	BURNER BASE ASM	1	EA	
Not Shown	NOTE	(BEFORE 01/07/08)		EA	
12	N/A	GASKET	1	EA	
Not Shown	NOTE	(MUST ORDER ITEM 11)		EA	
13	PD020033	SRW-#10-24X1/2"T(23)PH.WFR HD (NKL)	1	EA	
14	B20012923	Side Trim - RH (SS)	1	EA	
14	C93012923BR	Side Trim - RH (BR)	1	EA	
15	A2007858	SIDE TRIM BRKT	1	EA	
16	PD020032	SRW-8(A)X3/8"PH.WFR HD 7/16DIA*NICL	1	EA	
17	B20012924	Side Trim - LH (SS)	1	EA	
17	C93012924BR	Side Trim - LH (BR)	1	EA	





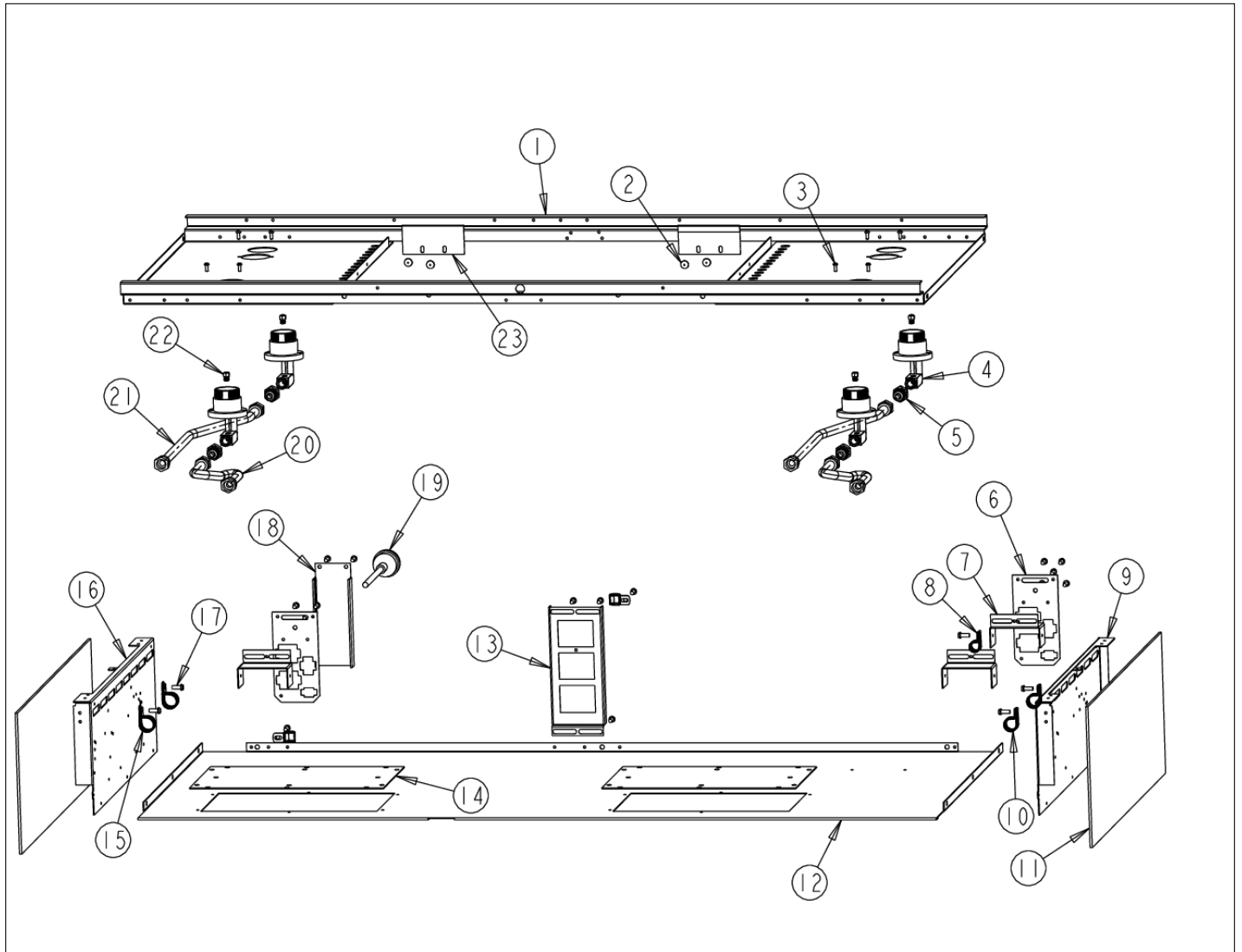
Item	Part No.	Name	Qty	Uom	NOTES
18	E9109804AL	MAIN TOP - AL	1	EA	Not available online / Call for pricing and availability
18	E9109804BK	MAIN TOP (VDSC4G/4Q)	1	EA	
18	E9109804BT	MAIN TOP - BT	1	EA	Not available online / Call for pricing and availability
18	E9109804CB	MAIN TOP - CB	1	EA	Not available online / Call for pricing and availability
18	E9109804EP	MAIN TOP - EP	1	EA	Not available online / Call for pricing and availability
18	E9109804FG	MAIN TOP - FG	1	EA	Not available online / Call for pricing and availability
18	E9109804GG	MAIN TOP - GG	1	EA	Not available online / Call for pricing and availability
18	E9109804LE	MAIN TOP - LE	1	EA	Not available online / Call for pricing and availability
18	E9109804MJ	MAIN TOP - MJ	1	EA	Not available online / Call for pricing and availability
18	E9109804SG	MAIN TOP - SG	1	EA	Not available online / Call for pricing and availability
18	E9109804VB	MAIN TOP - VB	1	EA	Not available online / Call for pricing and availability
18	E9109804WH	MAIN TOP (VDSC4G/4Q) *WH*	1	EA	NO LONGER AVAILABLE
19	PD020002	10 X 1/2 PH.TR.HD.SMS.	1	EA	
20	G91014498	SEALED WOK GRATE SUPPORT	1	EA	Not available online / Call for pricing and availability





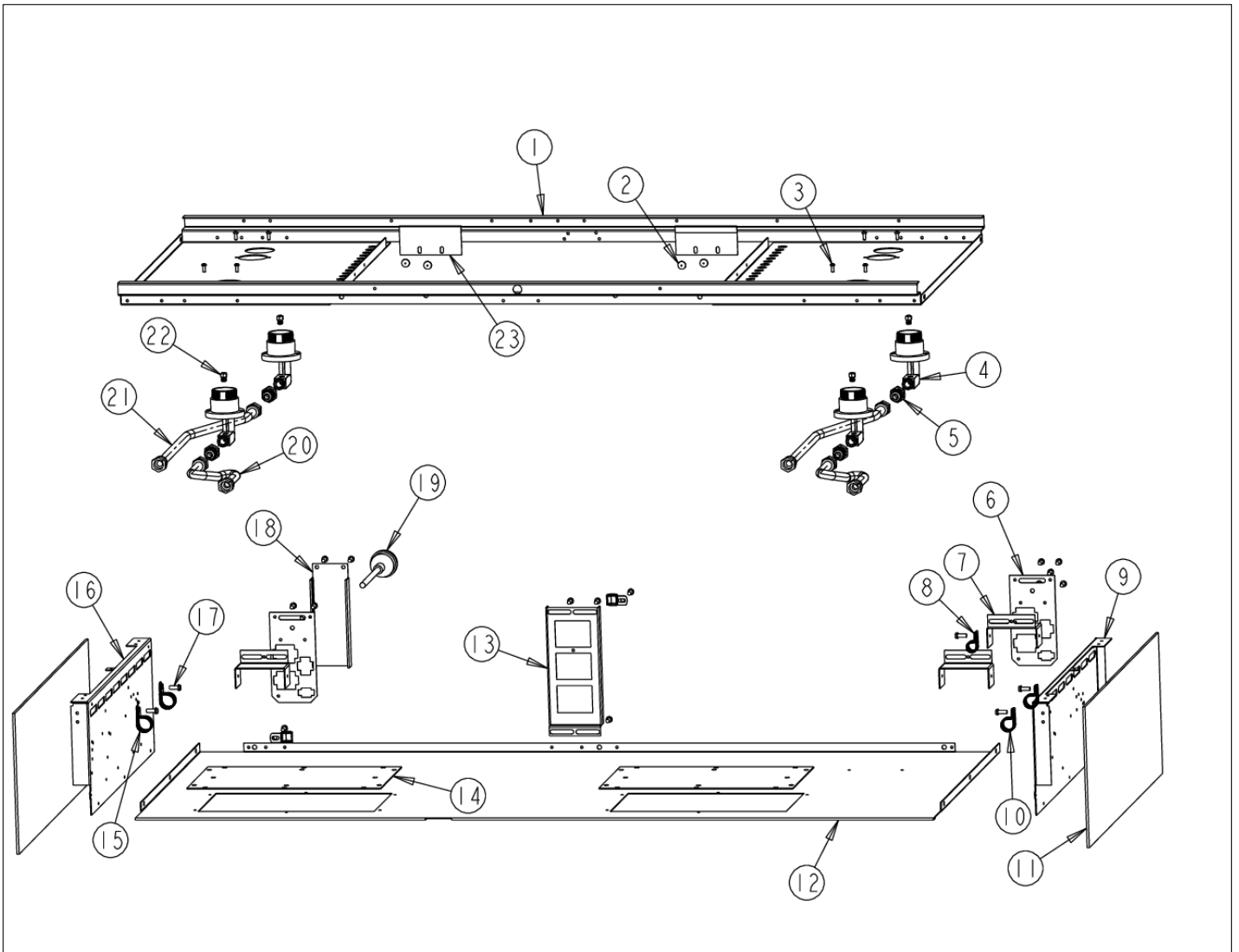
Item	Part No.	Name	Qty	Uom	NOTES
21	E91014498	GRATE SUPPORT CENTER	1	EA	Not available online / Call for pricing and availability
22	PB030004	GRATE SUPPORT RING (VGWT)	1	EA	
23	018200-000	ADJUSTED SEALED BURNER HEAD	1	EA	
24	009197-000	#6-32 X 5/8 18-8 SS NC SOC CAP	1	EA	
25	003322-040	SEALED BURNER BASE, TURNED FINISH	1	EA	

BURNER BOX INTERIOR





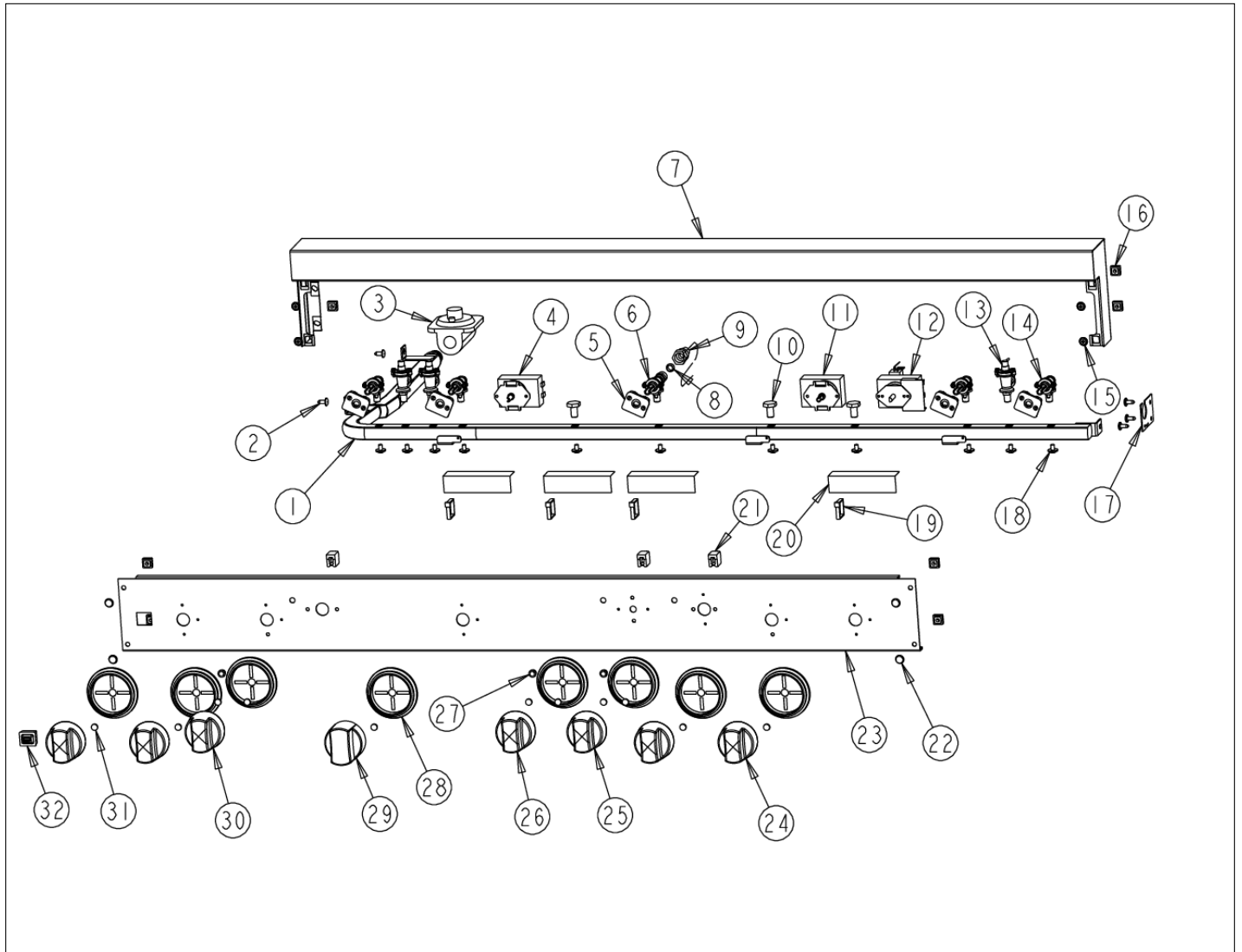
Item	Part No.	Name	Qty	Uom	NOTES
1	A20011243	48" SEALED BURNER SUPT. VDSC487 (4Q)	1	EA	NO LONGER AVAILABLE
2	PD020002	10 X 1/2 PH.TR.HD.SMS.	1	EA	
3	PD020076	6-32 X 3/8" PHILL PAN MS	1	EA	
4	PA080075	Burner Body	1	EA	
Not Shown	NOTE	(BEFORE 01/07/08)		EA	
4	001394-042	15000 BTU NAT JETHOLDER	1	EA	
Not Shown	NOTE	(ON OR AFTER 01/07/08)		EA	
4	001394-043	13500 BTU LP JETHOLDER	1	EA	
Not Shown	NOTE	(ON OR AFTER 01/07/08)		EA	
5	PA050086	5/8" MALE FLARE FITTING	1	EA	Not available online / Call for pricing and availability
6	A1002492	PLUG BRKT	1	EA	NO LONGER AVAILABLE, Not available online / Call for pricing and availability
7	A20013307	OUTLET COVER	1	EA	NO LONGER AVAILABLE, Not available online / Call for pricing and availability
8	PD030118	INSULATED CLAMP	1	EA	
9	A2002544	BURNER BOX SIDE RH (VDSC48)	1	EA	NO LONGER AVAILABLE
10	PD030119	INSULATED CLAMP	1	EA	NO LONGER AVAILABLE, Not available online / Call for pricing and availability
11	PB070140	BOARD INSULATION 8""X24""	1	EA	NO LONGER AVAILABLE, Not available online / Call for pricing and availability
12	A2002539	BURNER BOX INSULATOR SHIELD (VDSC48)	1	EA	NO LONGER AVAILABLE, Not available online / Call for pricing and availability
13	A20013319	SUPPORT BRACKET	1	EA	NO LONGER AVAILABLE





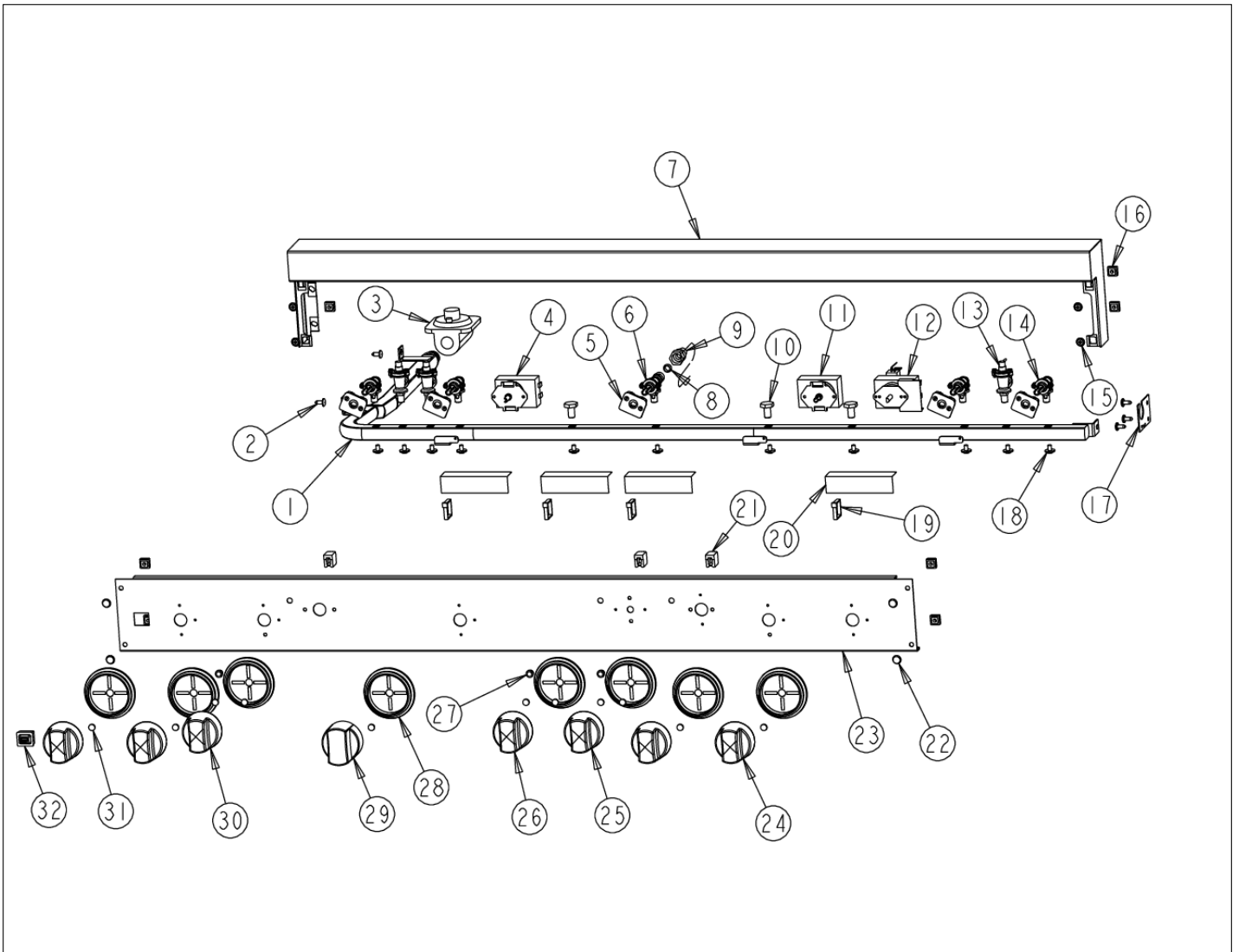
Item	Part No.	Name	Qty	Uom	NOTES
14	A1006344	DOOR LOCK ACCESS PANEL 48"	1	EA	NO LONGER AVAILABLE
15	PD030109	INSULATED CLAMP	1	EA	
16	A2002545	BURNER BOX SIDE LH (VDSC48)	1	EA	NO LONGER AVAILABLE, Not available online / Call for pricing and availability
17	PD020060	10 X 1/2" (5/16)HEX WSHER HD.(T)A	1	EA	
18	A20014424	TERMINAL COVER	1	EA	NO LONGER AVAILABLE, Not available online / Call for pricing and availability
19	G4008493	SUPPLY CORD ASSY- VG SU	1	EA	
20	PB020192	10" FLEX TUBING W/CONNECTORS	1	EA	
21	PB020193	16" FLEX TUBING W/CONNECTORS	1	EA	
22	PB040194	Orifice - Nat.	1	EA	
Not Shown	PB040217	L.P. ORIFICE	1	EA	
23	A20014436	WOK BRACE BRACKET	1	EA	Not available online / Call for pricing and availability

CONTROL AREA

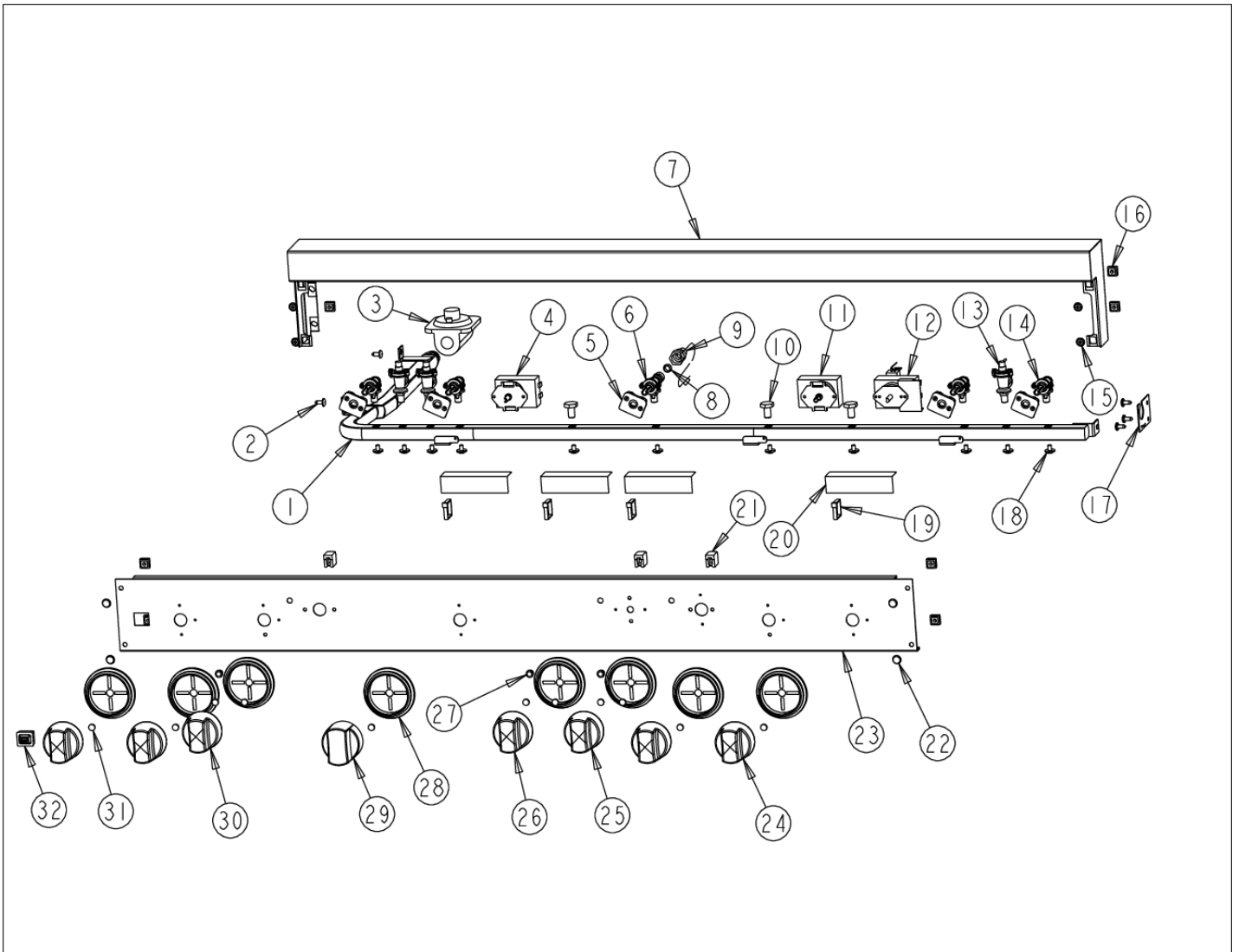




Item	Part No.	Name	Qty	Uom	NOTES
1	002569-000	UNIVERSAL 48" MANIFOLD	1	EA	
2	PD020002	10 X 1/2 PH.TR.HD.SMS.	1	EA	
3	PA070003	PRESSURE REGULATOR	1	EA	
4	PB010035	THERMOSTAT BAKE / GRIDDLE	1	EA	
5	PA020045	Spark Ignition Switch	1	EA	
6	003544-000	WOK VALVE	1	EA	
7	G3009843	SEALED LANDING LEDGE ASSY 48"	1	EA	
8	PB040049	3/8 *BR* FERRULE (FOR 3/8CC FEMALE)	1	EA	
9	PB020127	3/8" S.S. FLEX TUBING 20" (DGCU)	1	EA	
10	PA010012	ROPER PLUG	1	EA	
11	PJ030015	6 POS. SELECTOR SWITCH	1	EA	NO LONGER AVAILABLE
12	PB010186	EK39 THERMOSTAT (SELF-CLEAN)	1	EA	
13	007147-000	SHUTOFF VALVE ASSY	1	EA	
14	003517-000	PA010158 VALVE AND BOLT KIT	1	EA	
15	PD020073	SRW #10 X 24 X 3/8 WAFER HD TYPE23	1	EA	
16	PD030005	SELF RETAINING NUT	1	EA	
17	A1001138	MANIFOLD BRKT	1	EA	NO LONGER AVAILABLE, Not available online / Call for pricing and availability
18	PD010012	1/4 x 3/8 VALVE BOLT	1	EA	
19	PE070036	NYLON CABLE TIES -7"	1	EA	
20	PB070146	POLY FILM, (VDSC,VGSC)	1	EA	NOT FIELD REPLACEABLE
21	PE050024	OVEN IND. LIGHT (LIGHT HOUSING)	1	EA	



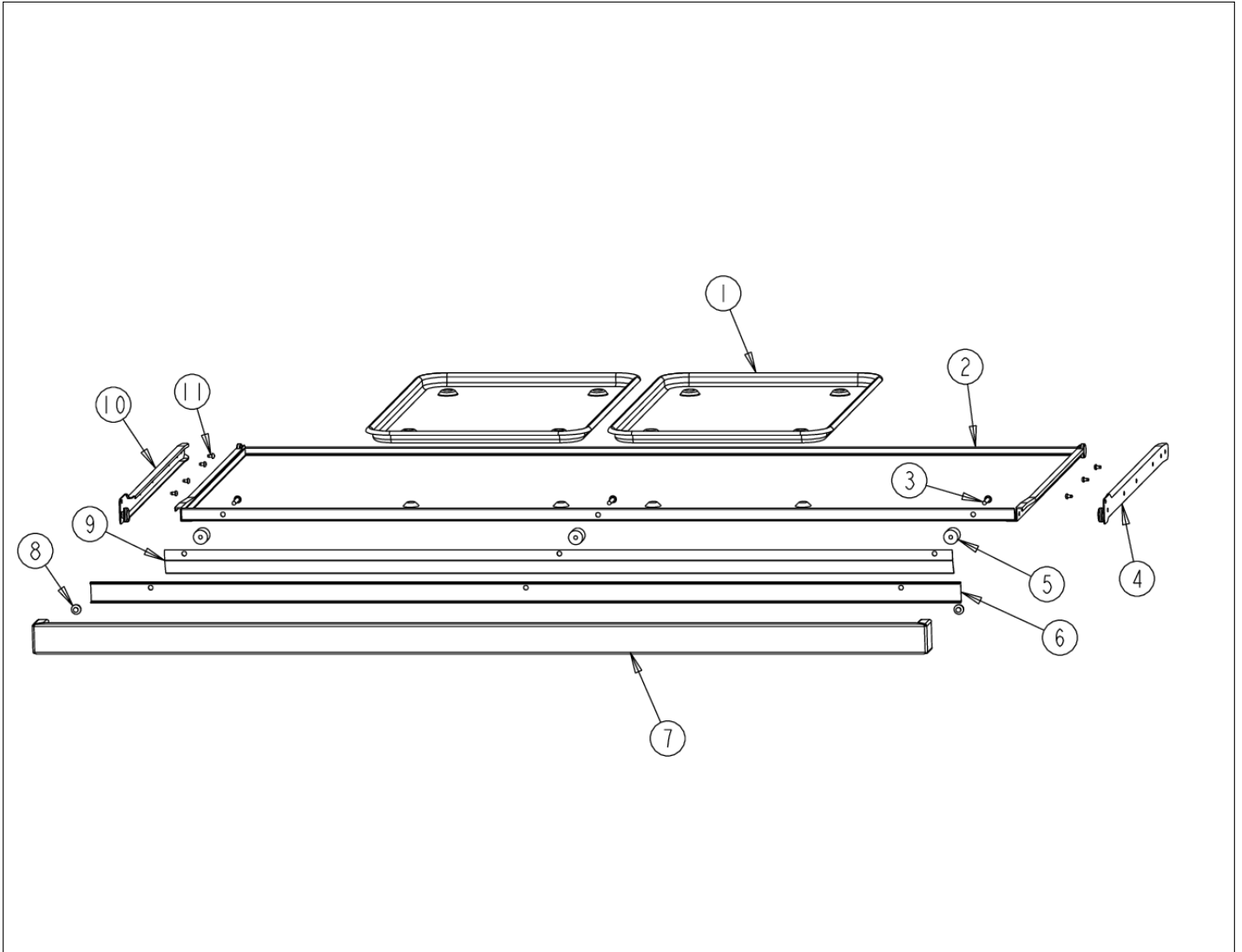
Item	Part No.	Name	Qty	Uom	NOTES
Comments for Part Num. PE050024 haarnink@vikingrange.com on Jan 14, 2019 please note that the indicator light is now part 043135-000 but needs the Jumper harness 051443-000. and second option there are units in the field with a 230V indicator light part number 036566-000. please check this for all "E" module ranges/Tops					
22	PD020033	SRW-#10-24X1/2" T(23)PH.WFR HD (NKL)	1	EA	
23	B92014901	VGSC487-4K CONTROL PANEL	1	EA	NO LONGER AVAILABLE, Not available online / Call for pricing and availability
24	PB010206	TOP BURNER KNOB BK	1	EA	
Not Shown	PB010207	TOP BURNER KNOB WH	1	EA	Not available online / Call for pricing and availability
25	PB010187	THERMOSTAT KNOB SELF CLEAN *BK*	1	EA	
Not Shown	PB010188	THERMOSTAT KNOB SELF CLEAN *WH*	1	EA	NO LONGER AVAILABLE
26	PA010080	SELECTOR KNOB SELF CLEAN *BK*	1	EA	
Not Shown	PA010081	SELECTOR KNOB SELF CLEAN *WH*	1	EA	
27	PE050023	OVEN IND. LIGHT (LENS & BEZEL)	1	EA	
28	050172-000	BEZEL, KNOB	1	EA	
Not Shown	PB010209	Bezel - BR	1	EA	
29	PA010039	TOP GRILL KNOB*BK* (VGRC) (N/STYLE)	1	EA	
Not Shown	PA010040	TOP GRILL KNOB*WH* (VGRC) (N/STYLE)	1	EA	
30	PB010101	THERMOSTAT BAKE KNOB N/S *BK*	1	EA	
Not Shown	PB010102	THERMOSTAT BAKE KNOB N/S *WH*	1	EA	NO LONGER AVAILABLE
31	PD020044	#8-32 X 1/4" PH. TR. HD. M.S.	1	EA	
32	PE050016	OVEN LIGHT SWITCH - *BK* (WES-GAR)	1	EA	





Item	Part No.	Name	Qty	Uom	NOTES
Not Shown	PE050017	OVEN LIGHT SWITCH - *WH* (WES-GAR)	1	EA	

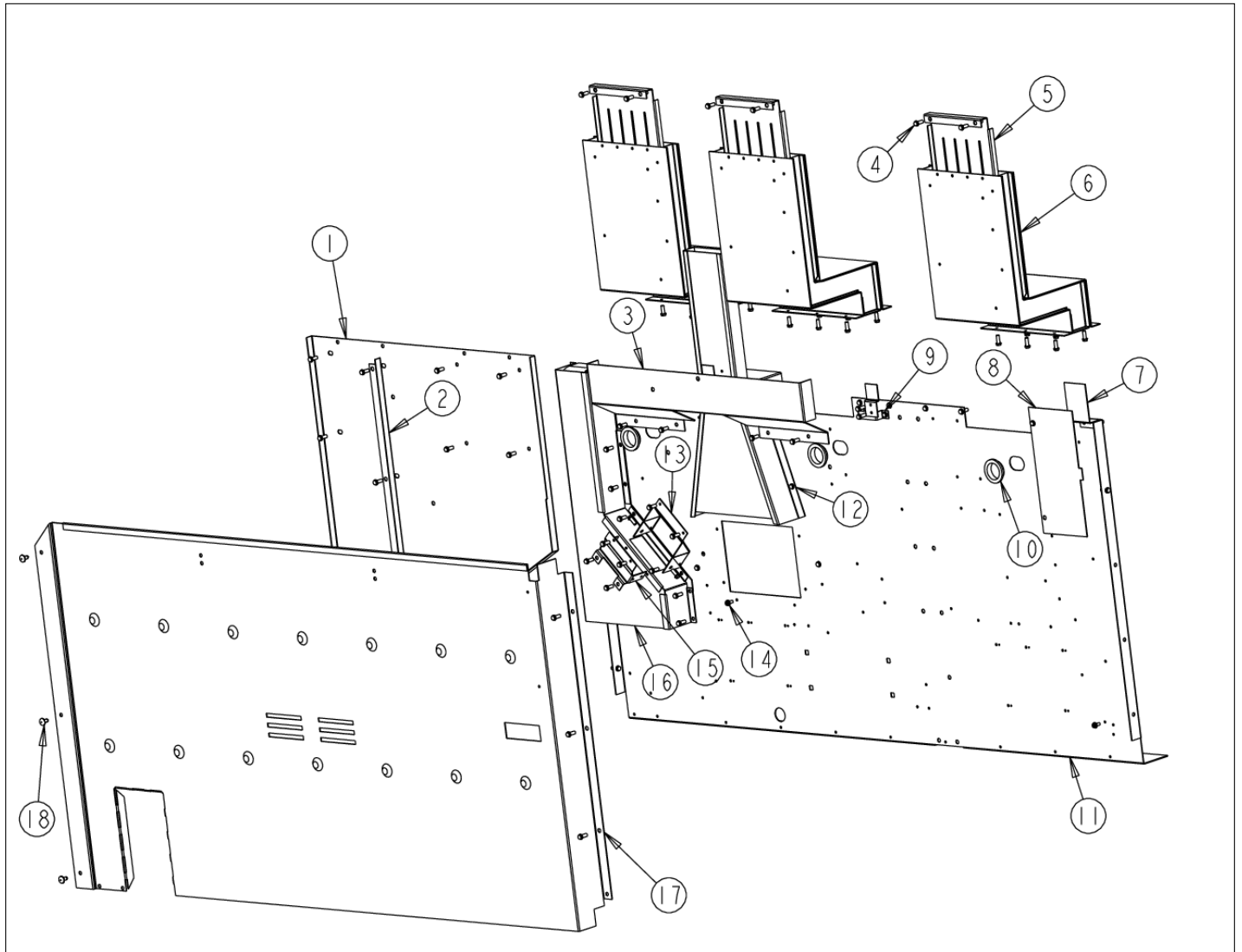
DRIP TRAY





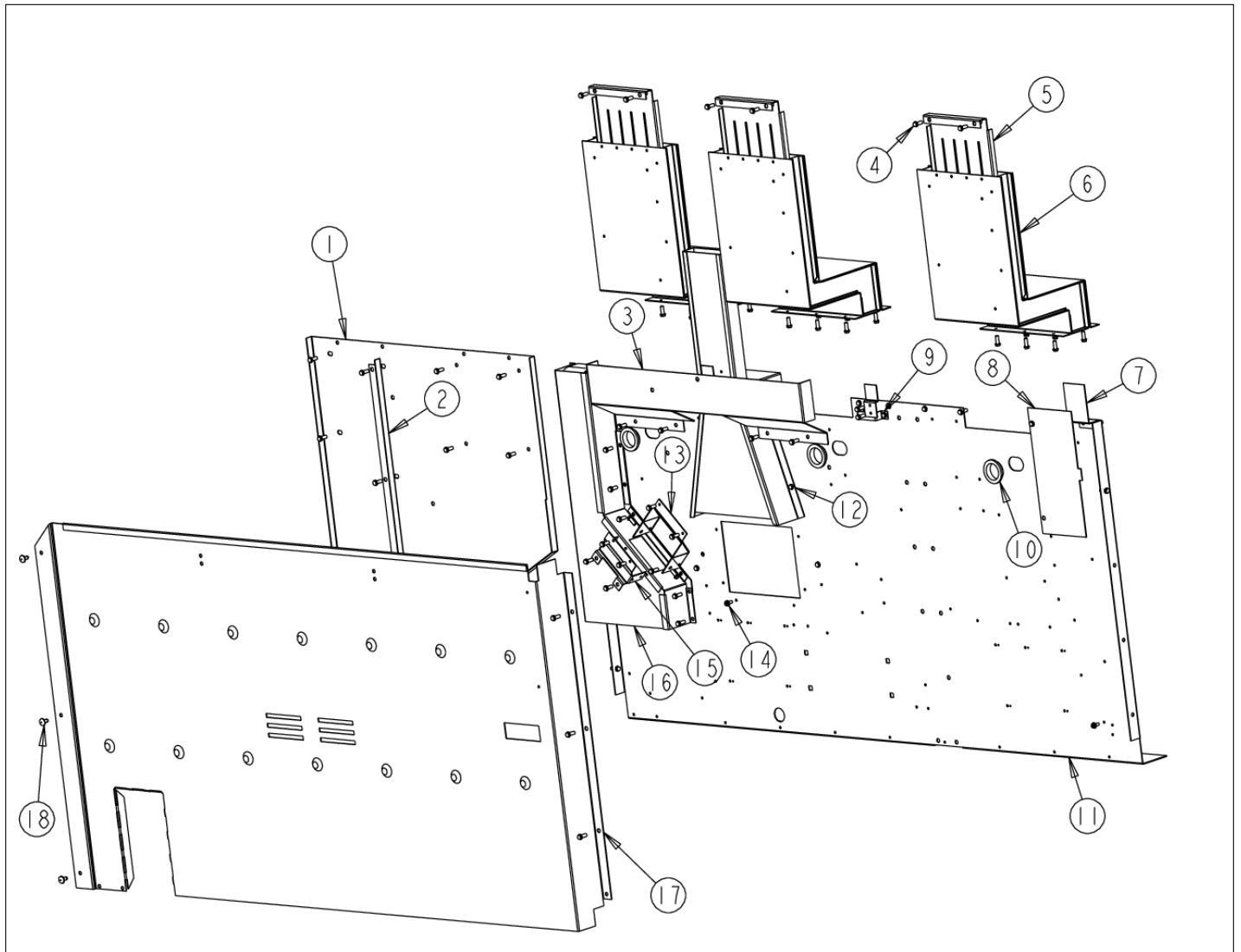
Item	Part No.	Name	Qty	Uom	NOTES
1	J2101749	GREASE PAN	1	EA	
2	G30013336	48" DRIP TRAY ASSY. 6Q &4GQ - NLA	1	EA	
3	PD020079	#10 X 1 1/4 PH. PAN HD. T(A) NYLOK	1	EA	
4	PK000008	Drip Tray Guide - RH	1	EA	NO LONGER AVAILABLE
5	PD040028	BUSHING(.194ID/.750OD/.750L ONG)	1	EA	
6	A20010693	DRIP TRAY HANDLE BACK 48	1	EA	
7	G30010697	DRIP TRAY HANDLE ASSY 48"	1	EA	
Not Shown	G93011461PVD	DRIP TRAY HANDLE ASSY 48" PVD - NLA	1	EA	
8	PD040004	GROMMET BUMPER	1	EA	
9	B20010152	DRIP TRAY SHIELD, 48"	1	EA	NO LONGER AVAILABLE
10	PK000007	DRIP TRAY GUIDE - LH (VGRT)	1	EA	NO LONGER AVAILABLE
11	PD020006	' #6-32 X 1/4" PH.PAN HD. T(F)	1	EA	

FLUE AND BACK AREA





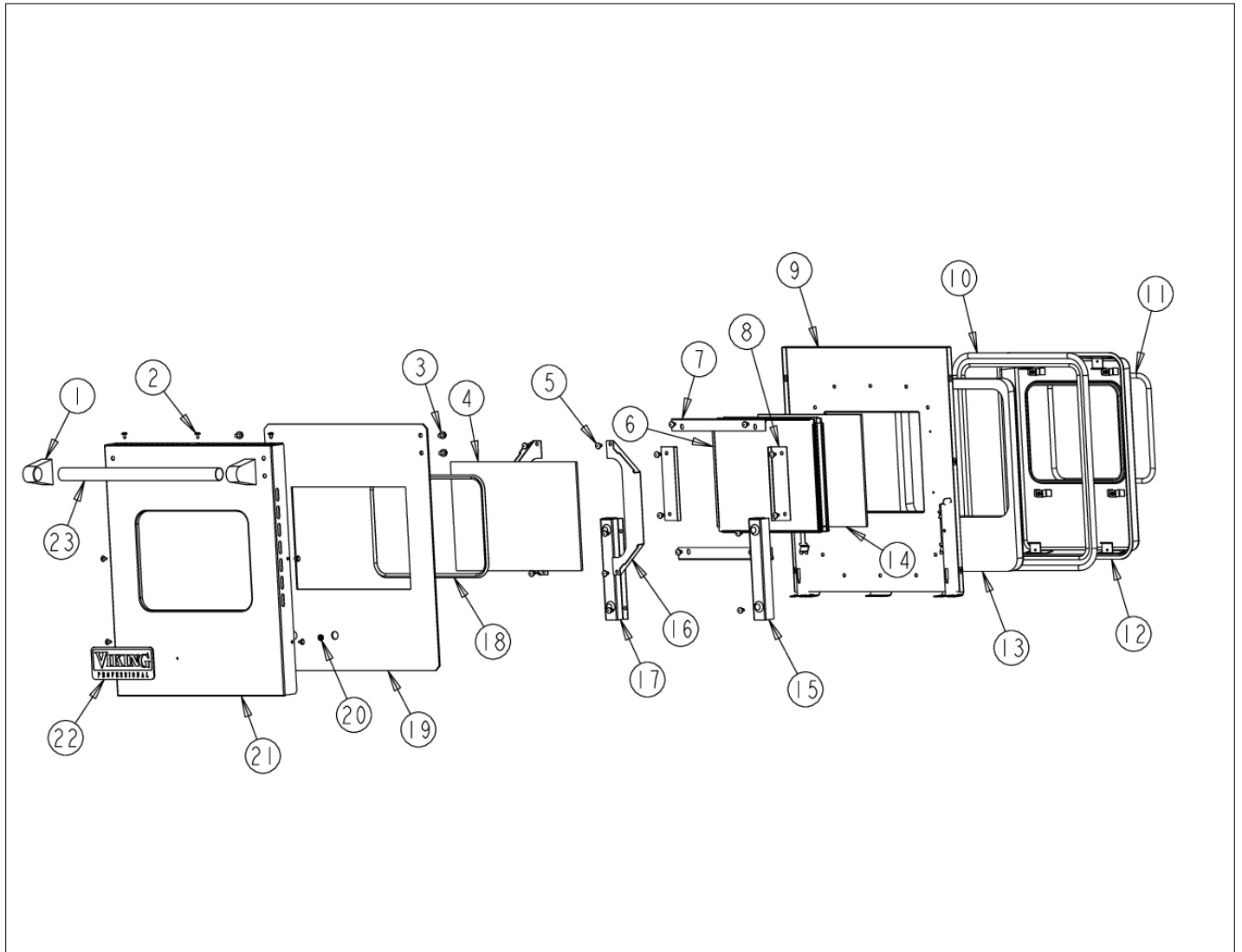
Item	Part No.	Name	Qty	Uom	NOTES
1	A2004468	BACK AIR CHANNEL (VGSC306)	1	EA	NO LONGER AVAILABLE, Not available online / Call for pricing and availability
2	A2005685	48 BACK AIR DEFLECTOR	1	EA	NO LONGER AVAILABLE, Not available online / Call for pricing and availability
3	A2004464	FLUE HEAT SHIELD (VGSC306)	1	EA	NO LONGER AVAILABLE
4	PD020060	10 X 1/2" (5/16)HEX WSHER HD.(T)A	1	EA	
5	E20013325	BAFFLE	1	EA	Not available online / Call for pricing and availability
6	G3004414	FLUE ASSY (VGSC306)	1	EA	NO LONGER AVAILABLE
7	A20013318	AIR GUIDE BRACKET	1	EA	NO LONGER AVAILABLE, Not available online / Call for pricing and availability
8	A1005686	48" GAS SLOT PROTECTOR	1	EA	NO LONGER AVAILABLE
9	A2005582	TUBING STRAP	1	EA	NO LONGER AVAILABLE, Not available online / Call for pricing and availability
10	PB070079	SILICONE EXTRUSION (DGSU)	1	EA	
11	A2005578	O/S OVEN BACK 48	1	EA	NO LONGER AVAILABLE, Not available online / Call for pricing and availability
12	G3004444	BROILER FLUE WELD ASSY (VGSC306)	1	EA	NO LONGER AVAILABLE, Not available online / Call for pricing and availability
13	A2004470	AIR CHANNEL BACK (VGSC306)	1	EA	NO LONGER AVAILABLE, Not available online / Call for pricing and availability
14	PD020010	10 X 3/8 GREEN GROUNDING SCREW	1	EA	



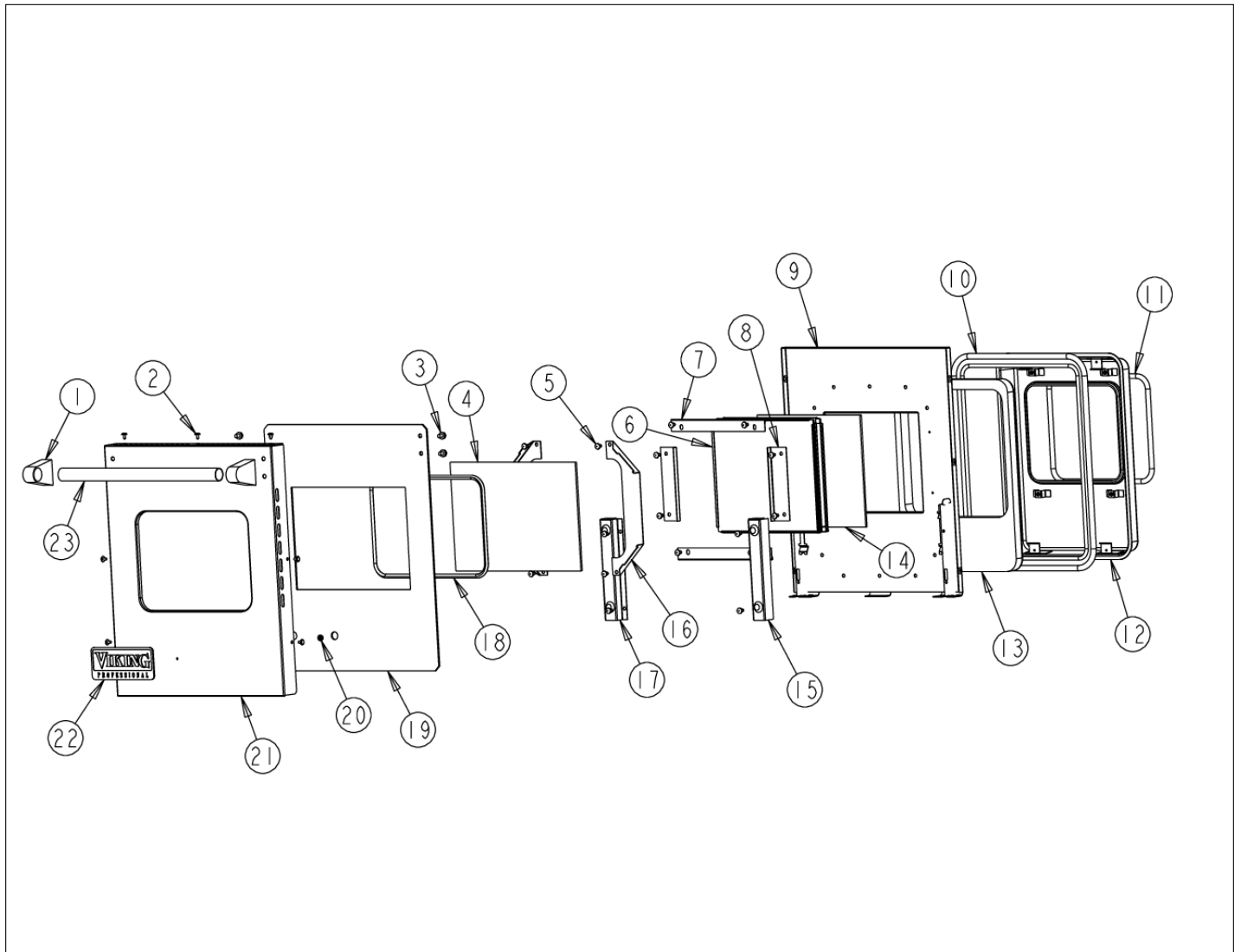


Item	Part No.	Name	Qty	Uom	NOTES
15	A2004469	COOLING FAN DUCT AIR COVER(VGSC306)	1	EA	NO LONGER AVAILABLE, Not available online / Call for pricing and availability
16	G3005680	COOLING FAN DUCT ASSY	1	EA	NO LONGER AVAILABLE
17	A2005583	48 REAR COVER	1	EA	NO LONGER AVAILABLE
18	PD020002	10 X 1/2 PH.TR.HD.SMS.	1	EA	

LH DOOR

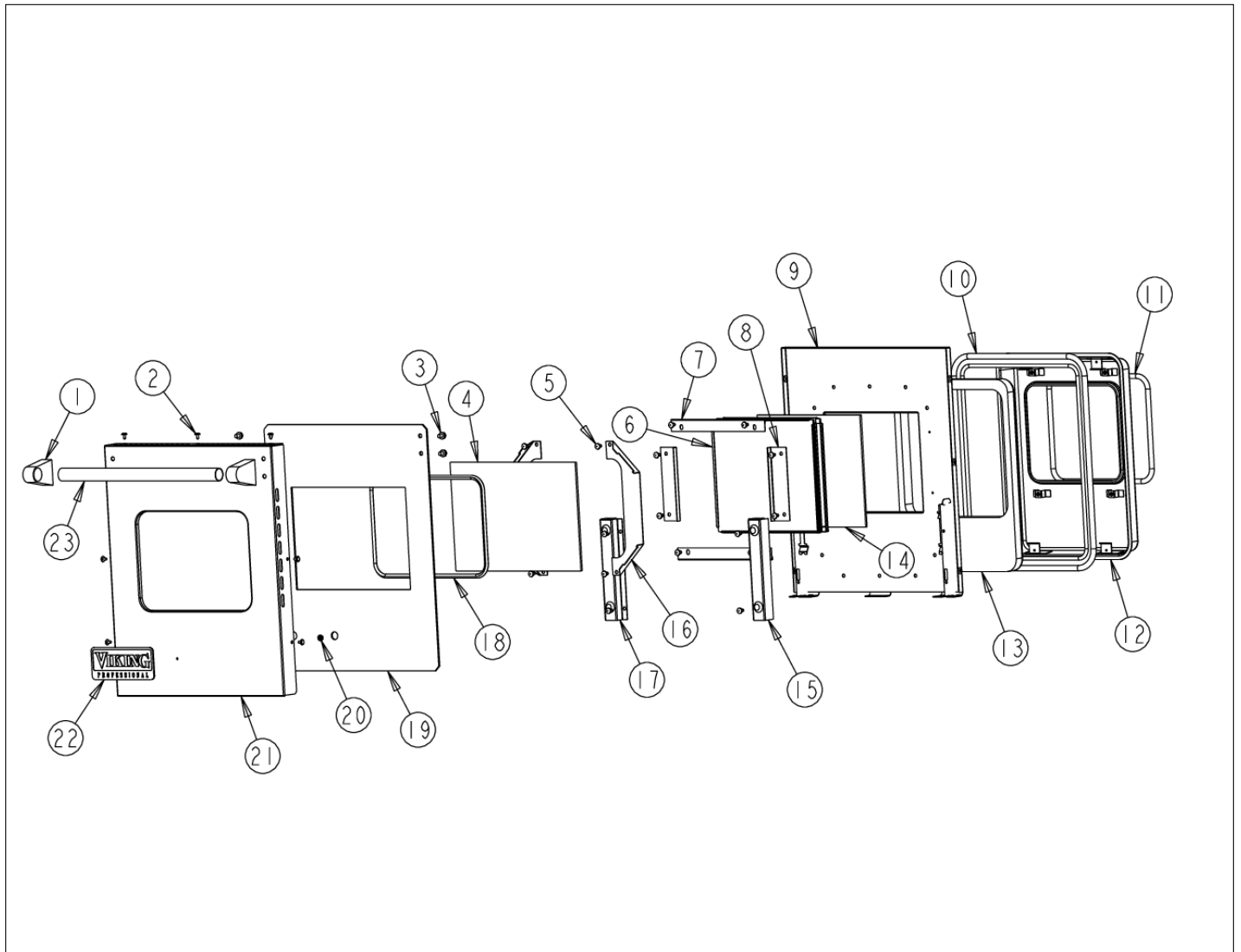


Item	Part No.	Name	Qty	Uom	NOTES
1	000268-000	HANDLE ENDCAP	1	EA	
Not Shown	PE030001PVD	END CAP DOOR HANDLE *BR	1	EA	
2	PD020032	SRW-8(A)X3/8"PH.WFR HD 7/16DIA*NICL	1	EA	
3	PD010019	BLT-1/4-20X3/8"HEX WASHER SERATED	1	EA	
4	PE060049	GLASS LH *TE* DF48DOOR	1	EA	
5	PD020002	10 X 1/2 PH.TR.HD.SMS.	1	EA	
6	PE060062	WINDOW PACK, SELF CLEANING OVEN	1	EA	
7	A2007942	GLASSPACK BRACKET, MEDIUM	1	EA	
8	A2002189	DOOR GLASS STANDOFF (VDSC)	1	EA	
9	H9105672	OVEN DR LINER ASSY LH (VGSC48)	1	EA	NO LONGER AVAILABLE
10	000623-000	DOOR GASKET(3/8"DIA.) (VDSC)	1	EA	
11	000594-000	BLACK FIBERGLASS ROPE 3/8	1	EA	
12	H9102507	DOOR PLUG ASSY LH (VDSC48)	1	EA	Not available online / Call for pricing and availability
13	PB070076	WOOL INSULATION 1" X 21" X 3'	1	EA	
14	PE060032	GLASS (HEAT BARRIER) LH DF48DOOR	1	EA	
15	A2002498	HINGE POCKET COVER RH	1	EA	
16	E9102668	WINDOW BRKT (O/S DOOR GLASS)	1	EA	Not available online / Call for pricing and availability
17	A2002499	HINGE POCKET COVER LH	1	EA	
18	PE060046	J-MOLD LH SS (DF48 DOOR)	1	EA	
Not Shown	PE060048	J-MOLD LH *BR* (DF48 DOOR)	1	EA	NO LONGER AVAILABLE
19	J1002506	OVEN DR HEAT SINK LH (VDSC48)	1	EA	
20	PD030006	CAPPED WASHER PAL NUT	1	EA	
21	B2002504	O/S DOOR PANEL LH *SS* (VDSC48)	1	EA	

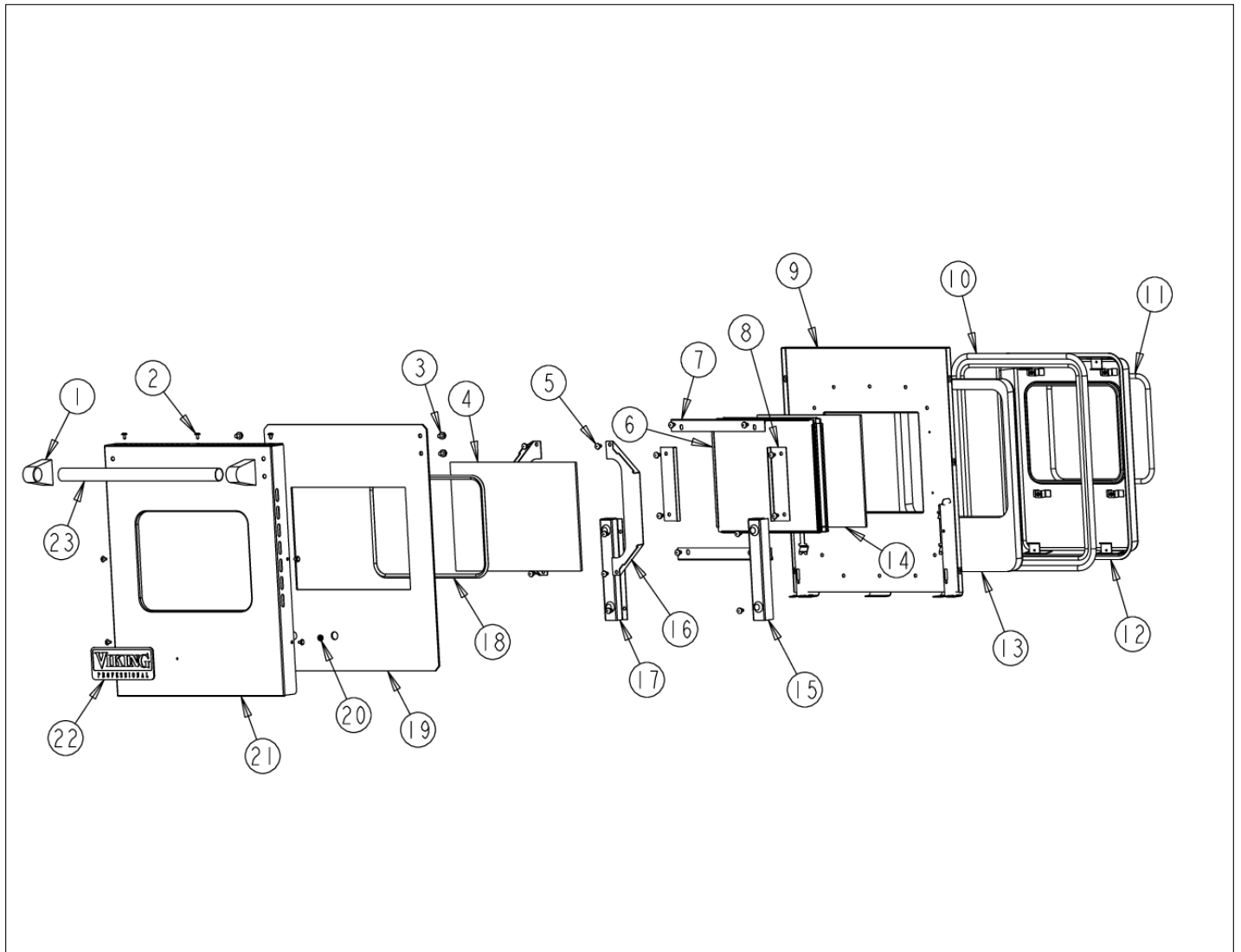




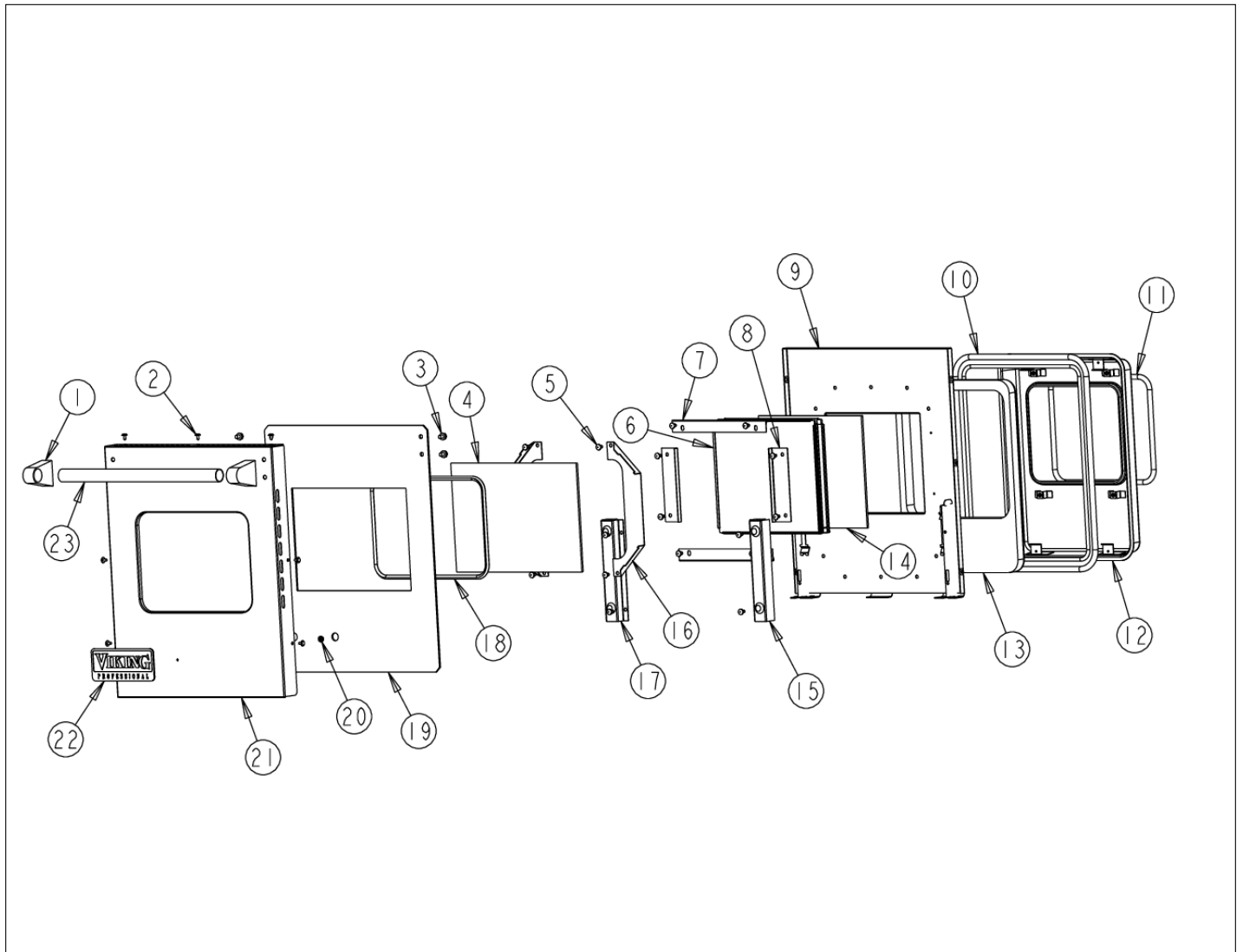
Item	Part No.	Name	Qty	Uom	NOTES
Not Shown	C9002504AL	O/S DOOR PANEL-LH *AL* (VDSC48)	1	EA	NO LONGER AVAILABLE, Not available online / Call for pricing and availability
Not Shown	C9002504BK	O/S DOOR PANEL-LH *BK* (VDSC48)	1	EA	
Not Shown	C9002504BT	O/S DOOR PANEL-LH *BT* (VDSC48)	1	EA	NO LONGER AVAILABLE
Not Shown	C9002504BU	O/S DOOR PANEL-LH *BU* (VDSC48)	1	EA	
Not Shown	C9002504CB	O/S DOOR PANEL-LH *CB* (VDSC48)	1	EA	NO LONGER AVAILABLE
Not Shown	C9002504EP	O/S DOOR PANEL-LH *EP* (VDSC48)	1	EA	NO LONGER AVAILABLE, Not available online / Call for pricing and availability
Not Shown	C9002504FG	O/S DOOR PANEL-LH *FG* (VDSC48)	1	EA	NO LONGER AVAILABLE, Not available online / Call for pricing and availability
Not Shown	C9002504GG	O/S DOOR PANEL-LH *GG* (VDSC48)	1	EA	
Not Shown	C9002504LE	O/S DOOR PANEL-LH *LE* (VDSC48)	1	EA	NO LONGER AVAILABLE
Not Shown	C9002504MJ	O/S DOOR PANEL-LH *MJ* (VDSC48)	1	EA	NO LONGER AVAILABLE, Not available online / Call for pricing and availability
Not Shown	C9002504SG	O/S DOOR PANEL-SG *SG* (VDSC48)	1	EA	Not available online / Call for pricing and availability
Not Shown	C9002504VB	O/S DOOR PANEL-LH*VB* (VDSC48)	1	EA	NO LONGER AVAILABLE, Not available online / Call for pricing and availability
Not Shown	C9002504WH	O/S DOOR PANEL-LH *WH* (VDSC48)	1	EA	
22	PE010030	LOGO	1	EA	
Not Shown	PE010031	LOGO 6" (VGRC) *BK/WH*	1	EA	NO LONGER AVAILABLE
Not Shown	PE010068	LOGO 6" (VGRC) BK/BR	1	EA	



Item	Part No.	Name	Qty	Uom	NOTES
Not Shown	PE010076	LOGO 6" (VGRC) *BR/WH*	1	EA	NO LONGER AVAILABLE
23	PE030008	DOOR HANDLE - LH 48VGRC	1	EA	
PE030014	PE030014PVD	DOOR HANDLE - LH - (48") PVD	1	EA	
NI	G3205671AL	DOOR ASSY *AL* (VGSC486 LH)	1	EA	NO LONGER AVAILABLE
Not Shown	G3205671ALBR	COMPLETE DOOR ASSY - ALBR	1	EA	Not available online / Call for pricing and availability
Not Shown	G3205671BK	DOOR ASSY *BK* VGSC486 LH	1	EA	NO LONGER AVAILABLE, Not available online / Call for pricing and availability
Not Shown	G3205671BKBR	COMPLETE DOOR ASSY - BKBR	1	EA	Not available online / Call for pricing and availability
Not Shown	G3205671BT	DOOR ASSY *BT* VGSC486 LH	1	EA	NO LONGER AVAILABLE, Not available online / Call for pricing and availability
Not Shown	G3205671BTBR	COMPLETE DOOR ASSY - BTBR	1	EA	Not available online / Call for pricing and availability
Not Shown	G3205671BU	DOOR ASSY *BU* VGSC486 LH	1	EA	NO LONGER AVAILABLE, Not available online / Call for pricing and availability
Not Shown	G3205671BUBR	COMPLETE DOOR ASSY - BUBR	1	EA	Not available online / Call for pricing and availability
Not Shown	G3205671CB	DOOR ASSY *CB* (VGSC486 LH)	1	EA	NO LONGER AVAILABLE, Not available online / Call for pricing and availability
Not Shown	G3205671CBBR	COMPLETE DOOR ASSY - CBBR	1	EA	Not available online / Call for pricing and availability
Not Shown	G3205671EP	DOOR ASSY *EP* (VGSC486 LH)	1	EA	NO LONGER AVAILABLE, Not available online / Call for pricing and availability



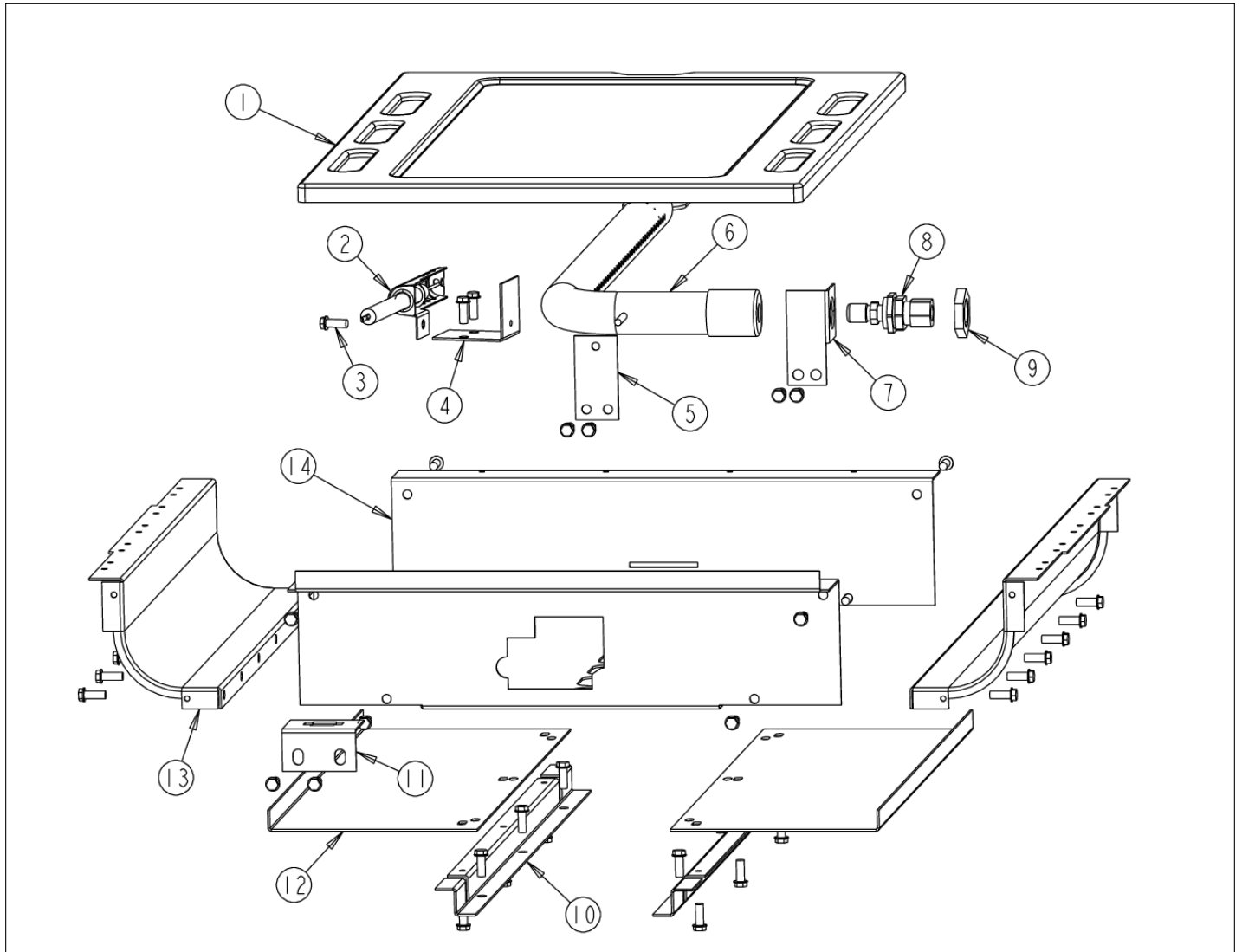
Item	Part No.	Name	Qty	Uom	NOTES
Not Shown	G3205671EPBR	COMPLETE DOOR ASSY - EPBR	1	EA	Not available online / Call for pricing and availability
Not Shown	G3205671FG	DOOR ASSY *FG* (VGSC486 LH)	1	EA	NO LONGER AVAILABLE, Not available online / Call for pricing and availability
Not Shown	G3205671FGBR	COMPLETE DOOR ASSY - FGBR	1	EA	Not available online / Call for pricing and availability
Not Shown	G3205671GG	DOOR ASSY *GG* (VGSC486 LH)	1	EA	NO LONGER AVAILABLE, Not available online / Call for pricing and availability
Not Shown	G3205671GGBR	COMPLETE DOOR ASSY - GGBR	1	EA	Not available online / Call for pricing and availability
Not Shown	G3205671LE	DOOR ASSY *LE* (VGSC486 LH)	1	EA	NO LONGER AVAILABLE, Not available online / Call for pricing and availability
Not Shown	G3205671LEBR	COMPLETE DOOR ASSY - LEBR	1	EA	Not available online / Call for pricing and availability
Not Shown	G3205671MJ	DOOR ASSY *MJ* (VGSC486 LH)	1	EA	NO LONGER AVAILABLE, Not available online / Call for pricing and availability
Not Shown	G3205671MJBR	COMPLETE DOOR ASSY - MJBR	1	EA	Not available online / Call for pricing and availability
Not Shown	G3205671SG	DOOR ASSY *SG* (VGSC486 LH)	1	EA	NO LONGER AVAILABLE, Not available online / Call for pricing and availability
Not Shown	G3205671SGBR	COMPLETE DOOR ASSY - SGBR	1	EA	Not available online / Call for pricing and availability
Not Shown	G3205671SS	DOOR ASSY *SS* (VGSC486 LH)	1	EA	NO LONGER AVAILABLE





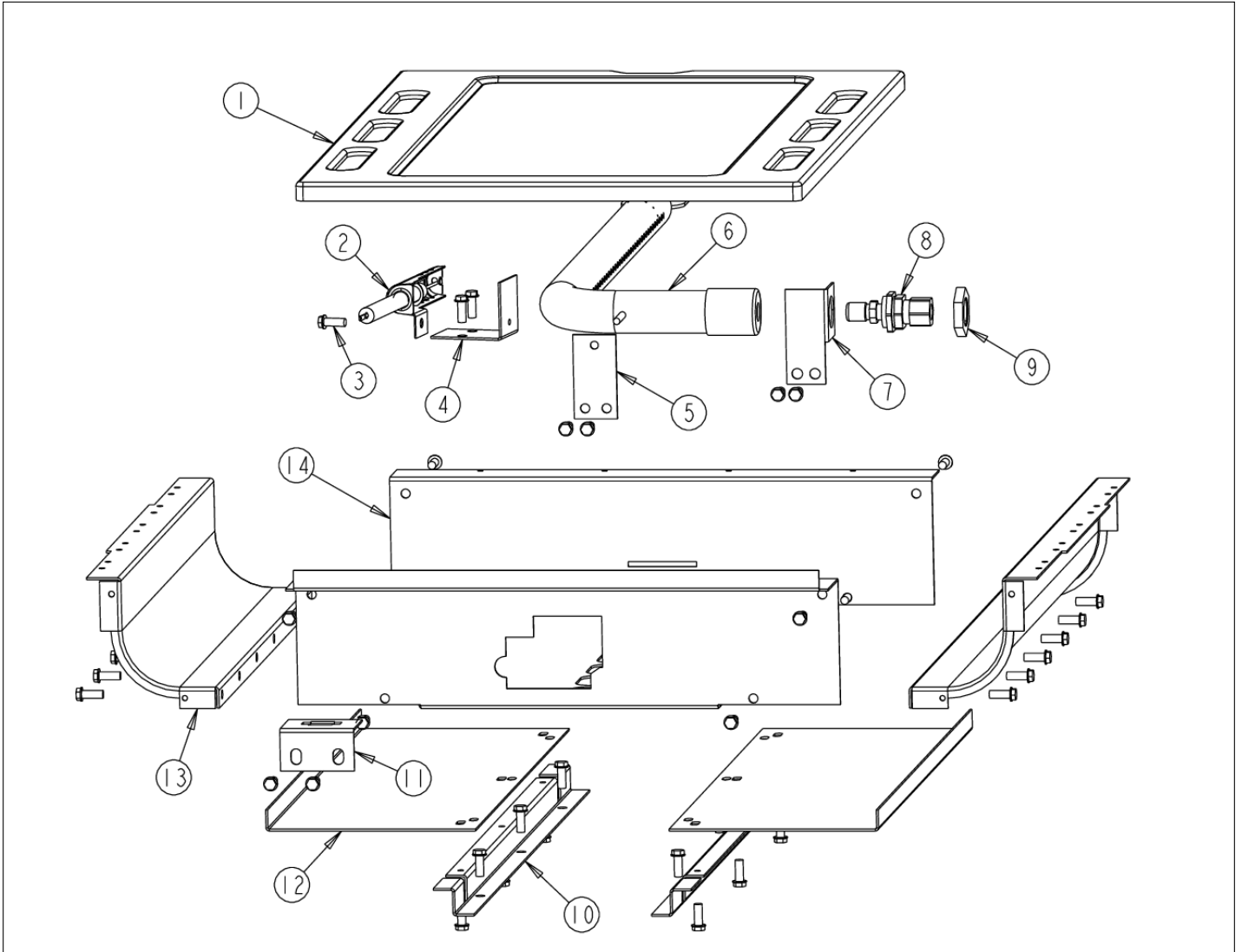
Item	Part No.	Name	Qty	Uom	NOTES
Not Shown	G3205671SSBR	DOOR ASSY *SSBR* (VGSC486 LH)	1	EA	NO LONGER AVAILABLE, Not available online / Call for pricing and availability
Not Shown	G3205671VB	DOOR ASSY *VB* (VGSC486 LH)	1	EA	NO LONGER AVAILABLE, Not available online / Call for pricing and availability
Not Shown	G3205671VBBR	COMPLETE DOOR ASSY - VBBR	1	EA	Not available online / Call for pricing and availability
Not Shown	G3205671WH	DOOR ASSY *WH* (VGSC486 LH)	1	EA	NO LONGER AVAILABLE, Not available online / Call for pricing and availability
Not Shown	G3205671WHBR	COMPLETE DOOR ASSY - WHBR	1	EA	Not available online / Call for pricing and availability

LH OVEN LOWER AREA





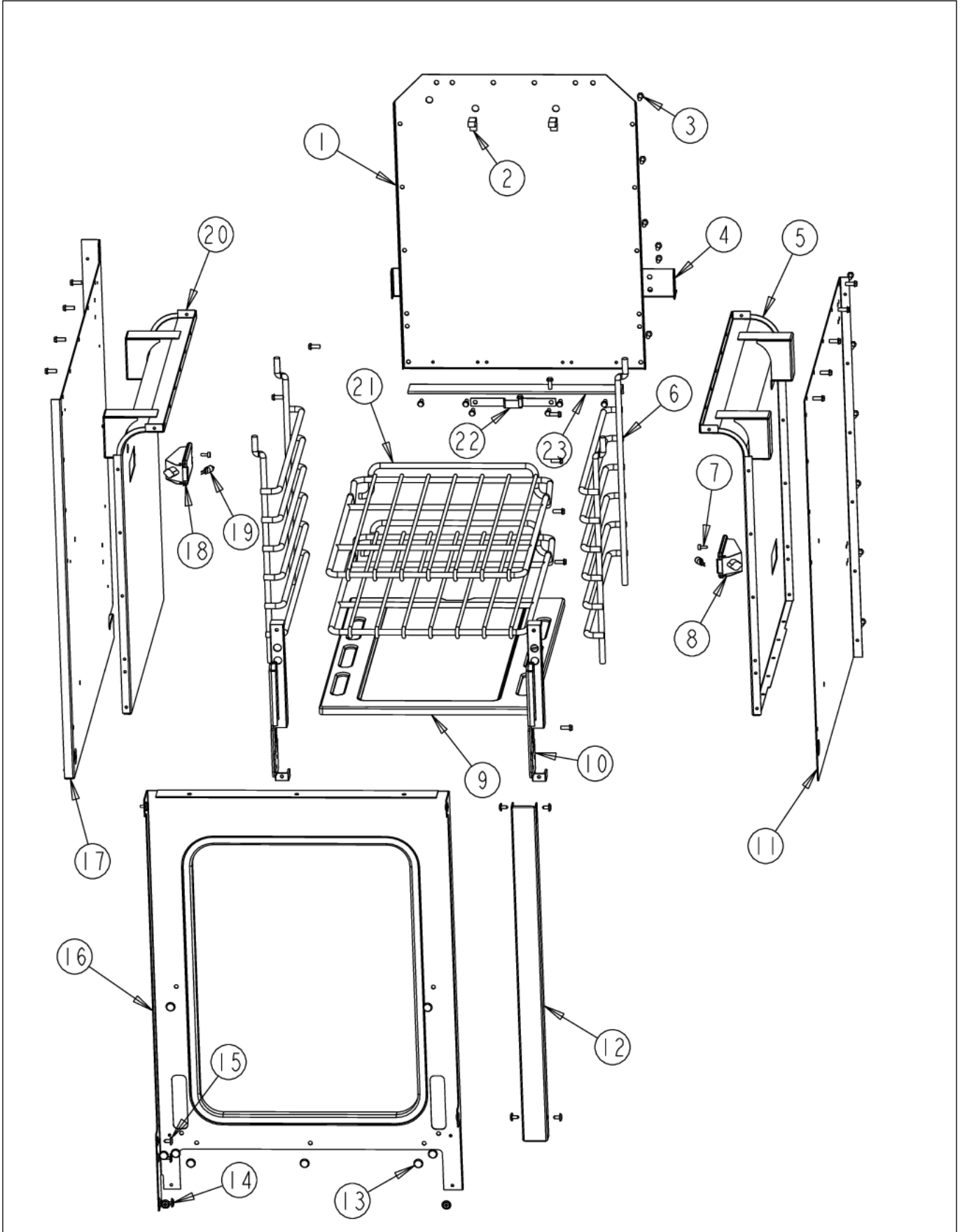
Item	Part No.	Name	Qty	Uom	NOTES
1	068457-000	ASM, BOTTOM, CAVITY OVEN GAS 18" GRAY	1	EA	
Not Shown	NOTE	(INCLUDES HEAT SHIELD)		EA	
2	PB040170	BAKE IGNITION ELECTRODE	1	EA	
Not Shown	NOTE	(BEFORE 08/31/06)		EA	
2	PB040273	BAKE IGNITION ELECTRODE	1	EA	
Not Shown	NOTE	(ON OR AFTER 08/31/06)		EA	
3	PD020060	10 X 1/2" (5/16)HEX WSHER HD.(T)A	1	EA	
4	A2005665	LH IGNITOR BRACKET	1	EA	
Not Shown	NOTE	(BEFORE 08/31/06)		EA	
5	A1005571	BURNER MOUNTING BRACKET	1	EA	NO LONGER AVAILABLE
6	PB050065	OVEN BURNER, LH	1	EA	
<p>Comments for Part Num. PB050065</p> <p>bradleysapplianceservice@shaw.ca on Feb 22, 2019</p> <p>IF BAKE ELECTRODE FOR LEFT HAND 18" OVEN WITH PB050065 BAKE BURNER IS REQUIRED - USE PB040273 BAKE IGNITION ELECTRODE.</p>					
Not Shown	NOTE	(units built before 08-31-2006)		EA	
NI	PB050080	VGSC486 LH OVEN BURNER	1	EA	
Not Shown	NOTE	(units built on or after 08-31-2006)		EA	
7	A2005579	ORIFICE BRACKET 48LH	1	EA	NO LONGER AVAILABLE, Not available online / Call for pricing and availability
8	PB040229	BULKHEAD FITTING (VGSC486LH)	1	EA	
Not Shown	PB040062	ORIFICE HOOD-#56	1	EA	
9	PD030018	PALNUT - 3/4-16	1	EA	
10	A2004429	OVEN BOTTOM INSUL. BRACE (VGSC306)	1	EA	





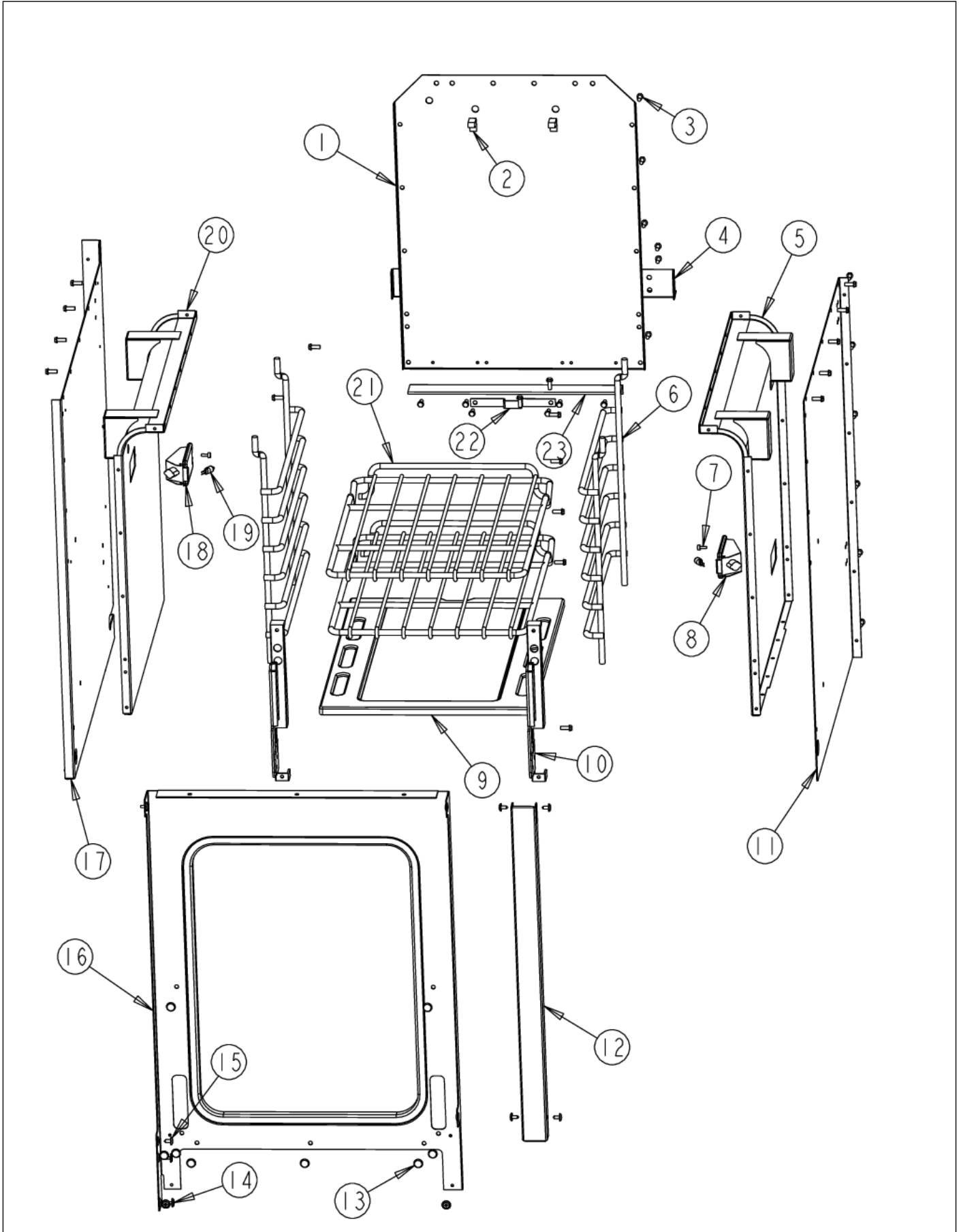
Item	Part No.	Name	Qty	Uom	NOTES
11	A20012922	DISCONNECT POWER BRACKET	1	EA	NO LONGER AVAILABLE, Not available online / Call for pricing and availability
12	A20013316	CAVITY BOTTOM EXTENSION	1	EA	NO LONGER AVAILABLE, Not available online / Call for pricing and availability
13	E2104427	BURNER BOX SIDE RH (VGSC306)	1	EA	NO LONGER AVAILABLE, Not available online / Call for pricing and availability
14	A20010139	48" LH CAVITY BOTTOM	1	EA	NO LONGER AVAILABLE, Not available online / Call for pricing and availability

LH OVEN MAIN CAVITY AREA

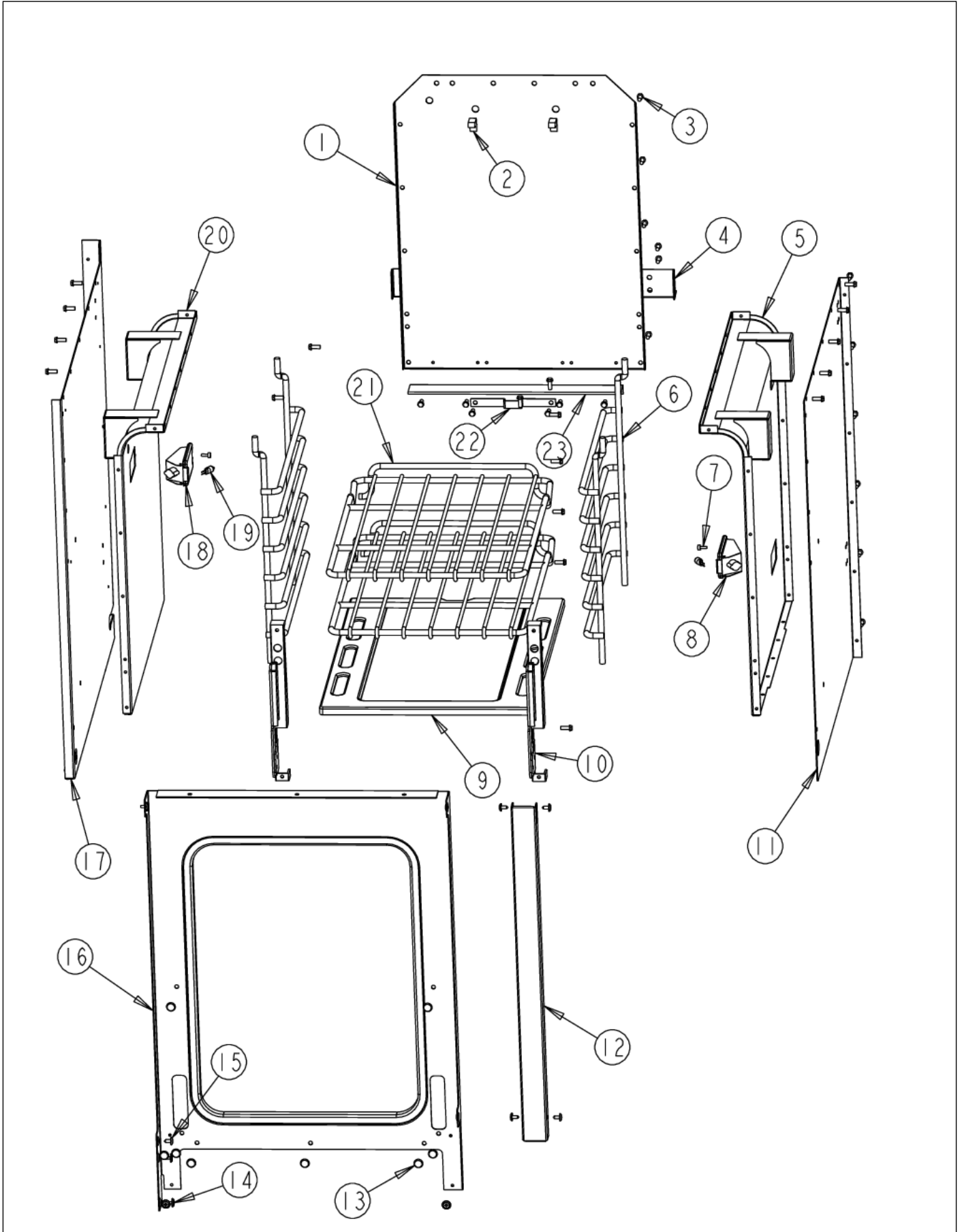




Item	Part No.	Name	Qty	Uom	NOTES
1	E9105572	OVEN BACK 48LH		EA	NO LONGER AVAILABLE, Not available online / Call for pricing and availability
2	PD030031	THERMAL BULB CLIP - .250		EA	
3	PD020060	10 X 1/2" (5/16)HEX WSHR HD.(T)A		EA	
4	A2005576	REAR OVEN SUPPORT 48LH		EA	NO LONGER AVAILABLE, Not available online / Call for pricing and availability
5	G9105564	OVEN SIDE ASSY RH 48LH		EA	NO LONGER AVAILABLE, Not available online / Call for pricing and availability
6	PB060030	RACK SUPT REPL PB060010		EA	
7	PD020067	' #6 X 3/8" PAN PHIL. TEK *SS*		EA	
8	PE050056	OVEN LIGHT ASSY 12V/5W		EA	
Not Shown	NOTE	Inc. Bulb		EA	
9	G3205588	OVEN BOTTOM PAN ASSY 48LH		EA	
10	PC020003	HINGE ASSY (BLUE)		EA	
11	A2005577	OVEN SIDE INSULATION RETAINER LH		EA	NO LONGER AVAILABLE, Not available online / Call for pricing and availability
12	B2005683	CENTER TRIM		EA	
Not Shown	C9005683AL	CENTER TRIM *AL*		EA	NO LONGER AVAILABLE, Not available online / Call for pricing and availability
Not Shown	C9005683BK	CENTER TRIM *BK*		EA	NO LONGER AVAILABLE
Not Shown	C9005683BT	CENTER TRIM *BT*		EA	NO LONGER AVAILABLE, Not available online / Call for pricing and availability
Not Shown	C9005683BU	CENTER TRIM *BU*		EA	Not available online / Call for pricing and availability



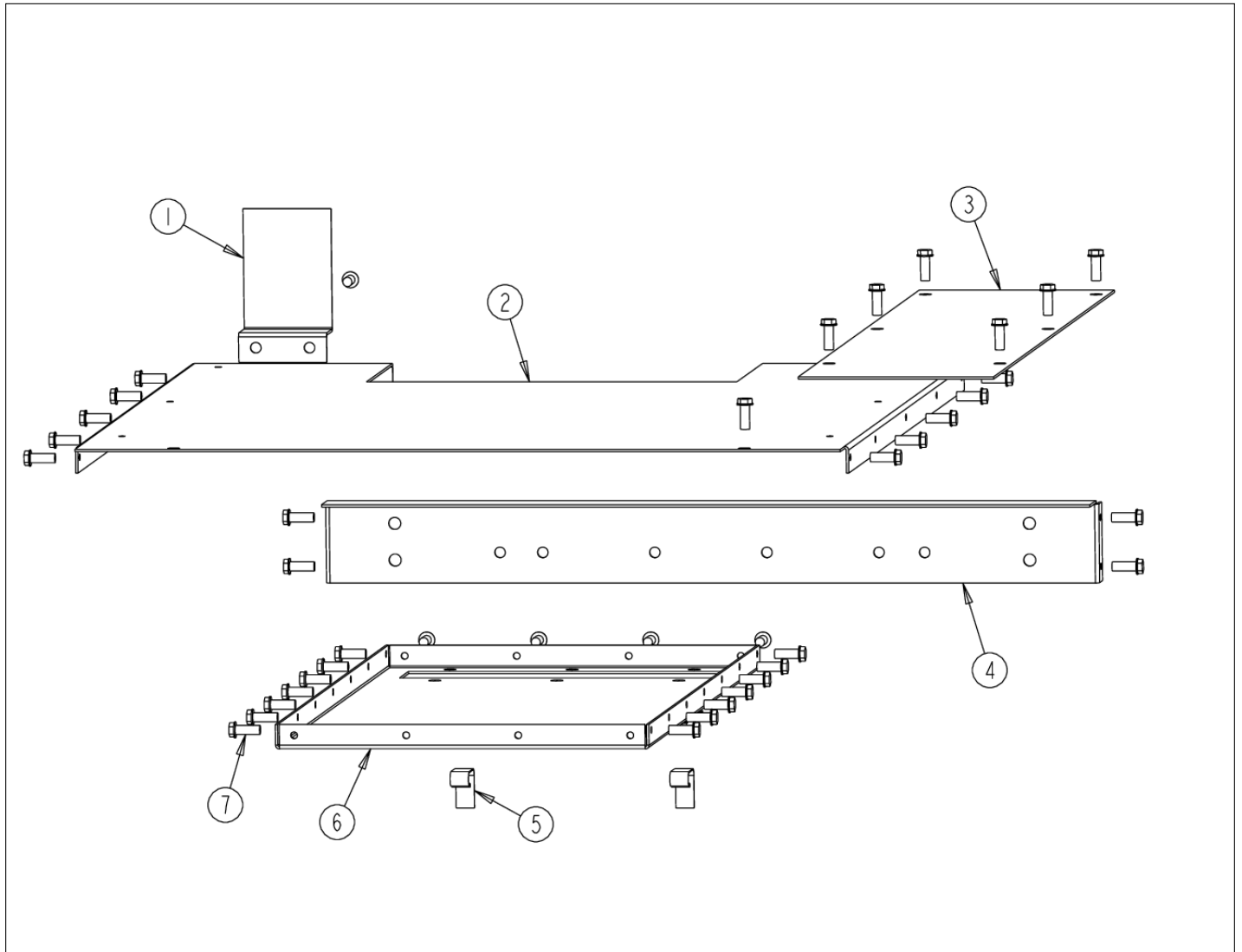
Item	Part No.	Name	Qty	Uom	NOTES
Not Shown	C9005683CB	CENTER TRIM *CB*		EA	NO LONGER AVAILABLE
Not Shown	C9005683EP	CENTER TRIM *EP*		EA	NO LONGER AVAILABLE, Not available online / Call for pricing and availability
Not Shown	C9005683FG	CENTER TRIM *FG*		EA	NO LONGER AVAILABLE, Not available online / Call for pricing and availability
Not Shown	C9005683GG	CENTER TRIM *GG*		EA	NO LONGER AVAILABLE
Not Shown	C9005683LE	CENTER TRIM *LE*		EA	NO LONGER AVAILABLE, Not available online / Call for pricing and availability
Not Shown	C9005683MJ	CENTER TRIM *MJ*		EA	NO LONGER AVAILABLE, Not available online / Call for pricing and availability
Not Shown	C9005683SG	CENTER TRIM *SG*		EA	
Not Shown	C9005683VB	CENTER TRIM *VB*		EA	NO LONGER AVAILABLE, Not available online / Call for pricing and availability
Not Shown	C9005683WH	CENTER TRIM *WH*		EA	NO LONGER AVAILABLE, Not available online / Call for pricing and availability
13	PD020033	SRW-#10-24X1/2"T(23)PH.WFR HD (NKL)		EA	
14	PD020073	SRW #10 X 24 X 3/8 WAFER HD TYPE23		EA	
15	PD020032	SRW-8(A)X3/8"PH.WFR HD 7/16DIA*NICL		EA	
16	G9105574	OVEN FRONT FRAME ASSY 48LH		EA	NO LONGER AVAILABLE, Not available online / Call for pricing and availability
17	A2005550	OVEN SIDE INSUL RETAINER		EA	NO LONGER AVAILABLE, Not available online / Call for pricing and availability





Item	Part No.	Name	Qty	Uom	NOTES
18	PE050148	OVEN LIGHT ASSY. W/32" CABLE		EA	
Not Shown	NOTE	Inc. Bulb		EA	
19	PE050251	120V 25W HALOGEN APPLIANCE BULB		EA	
20	G9105565	OVEN SIDE ASSY LH 48LH		EA	NO LONGER AVAILABLE, Not available online / Call for pricing and availability
21	PB060046	OVEN RK VDSC48-LH REPL PB060023		EA	
22	A2004428	REAR BOTTOM BRCKT (VGSC306)		EA	
23	031445-403	BRACE, OVEN, BOTTOM, BACK		EA	

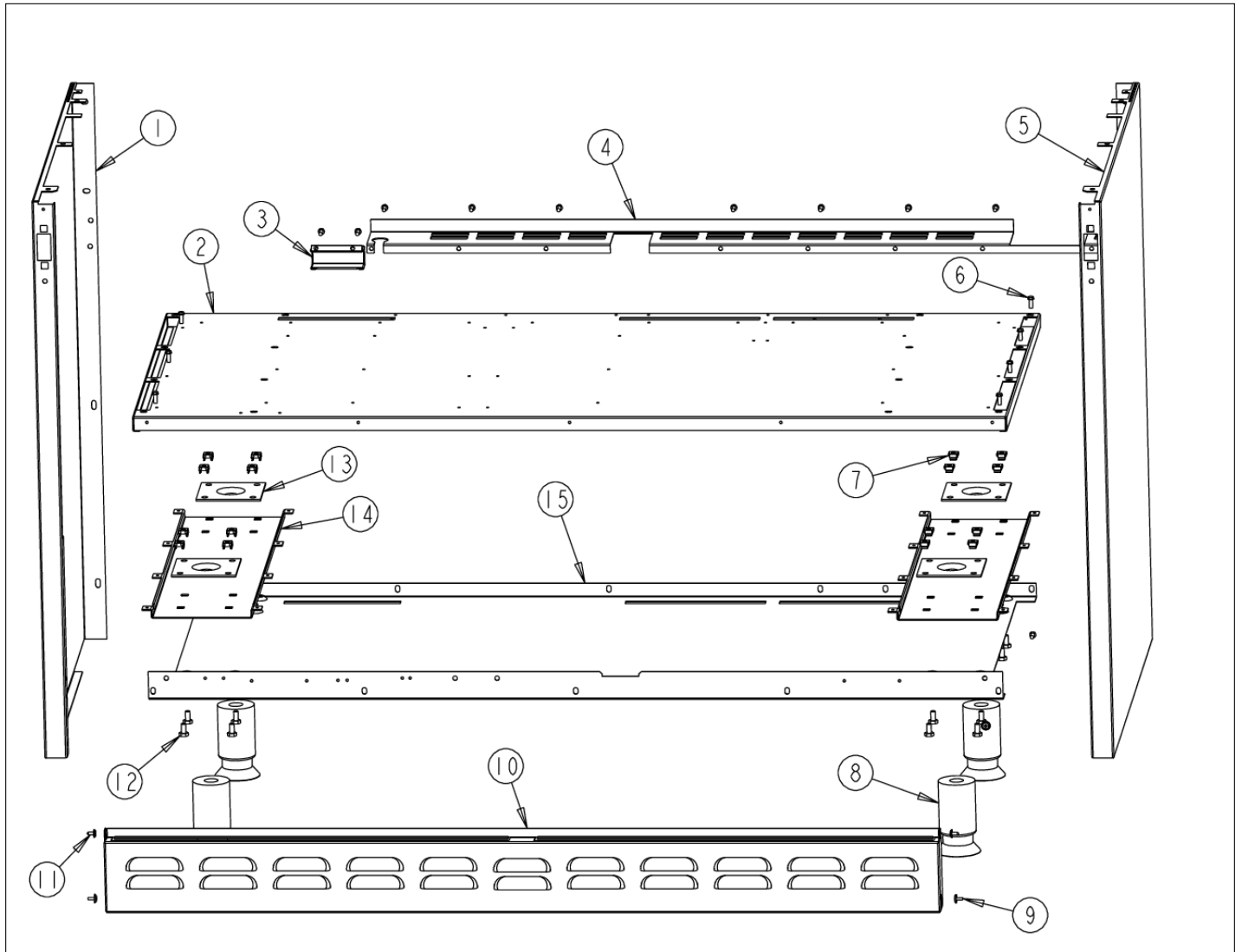
LH OVEN UPPER AREA





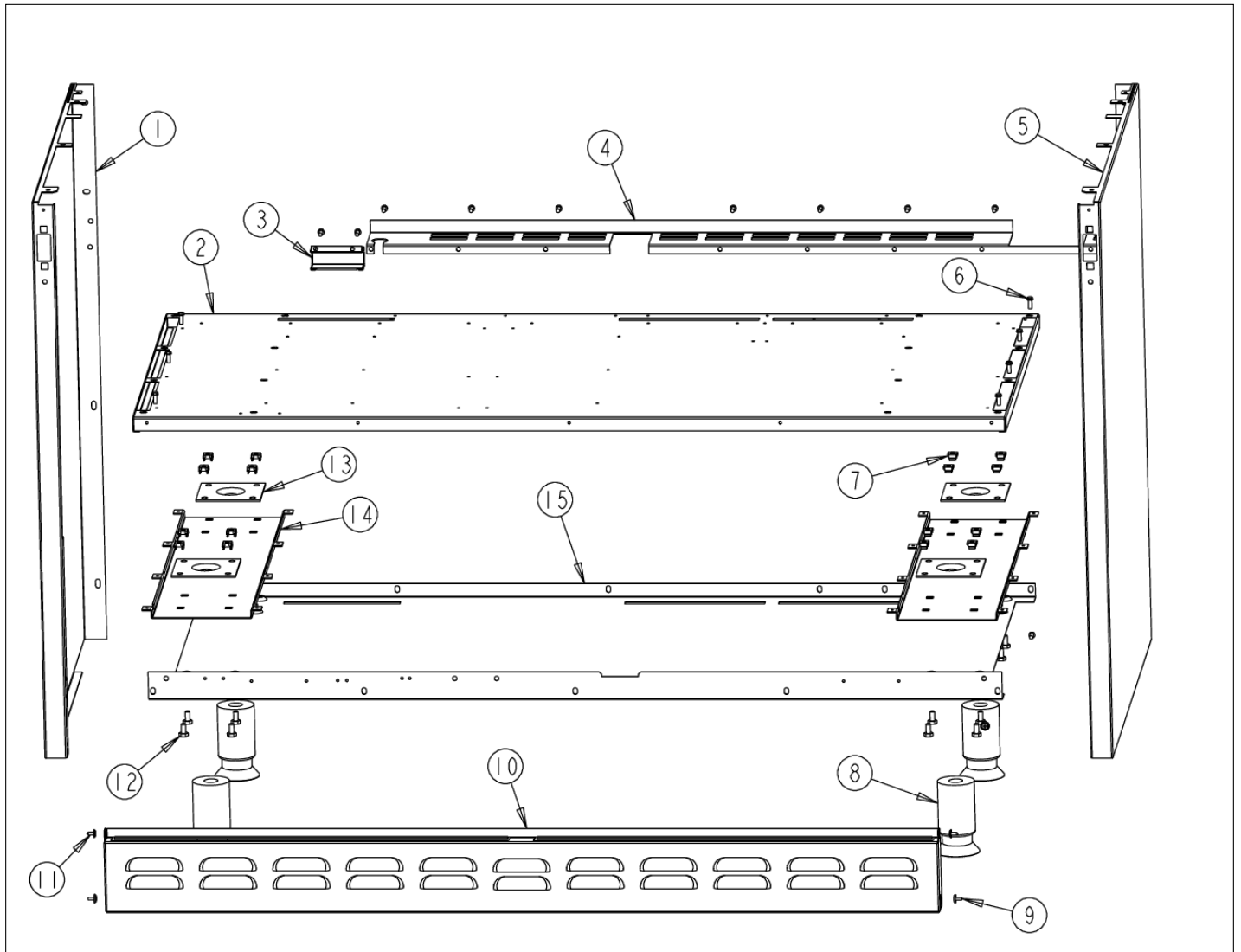
Item	Part No.	Name	Qty	Uom	NOTES
1	A20013318	AIR GUIDE BRACKET	1	EA	NO LONGER AVAILABLE, Not available online / Call for pricing and availability
2	A2005560	OVEN TOP INSULATION RETAINER 48LH	1	EA	NO LONGER AVAILABLE, Not available online / Call for pricing and availability
3	A1005678	CENTER AIR DIVERTER	1	EA	NO LONGER AVAILABLE, Not available online / Call for pricing and availability
4	A2005576	REAR OVEN SUPPORT 48LH	1	EA	NO LONGER AVAILABLE, Not available online / Call for pricing and availability
5	PD030031	THERMAL BULB CLIP - .250	1	EA	
6	E9105566	OVEN TOP 48LH	1	EA	NO LONGER AVAILABLE, Not available online / Call for pricing and availability
7	PD020060	10 X 1/2" (5/16)HEX WSHR HD.(T)A	1	EA	

LOWER UNIT AND SIDE PANELS



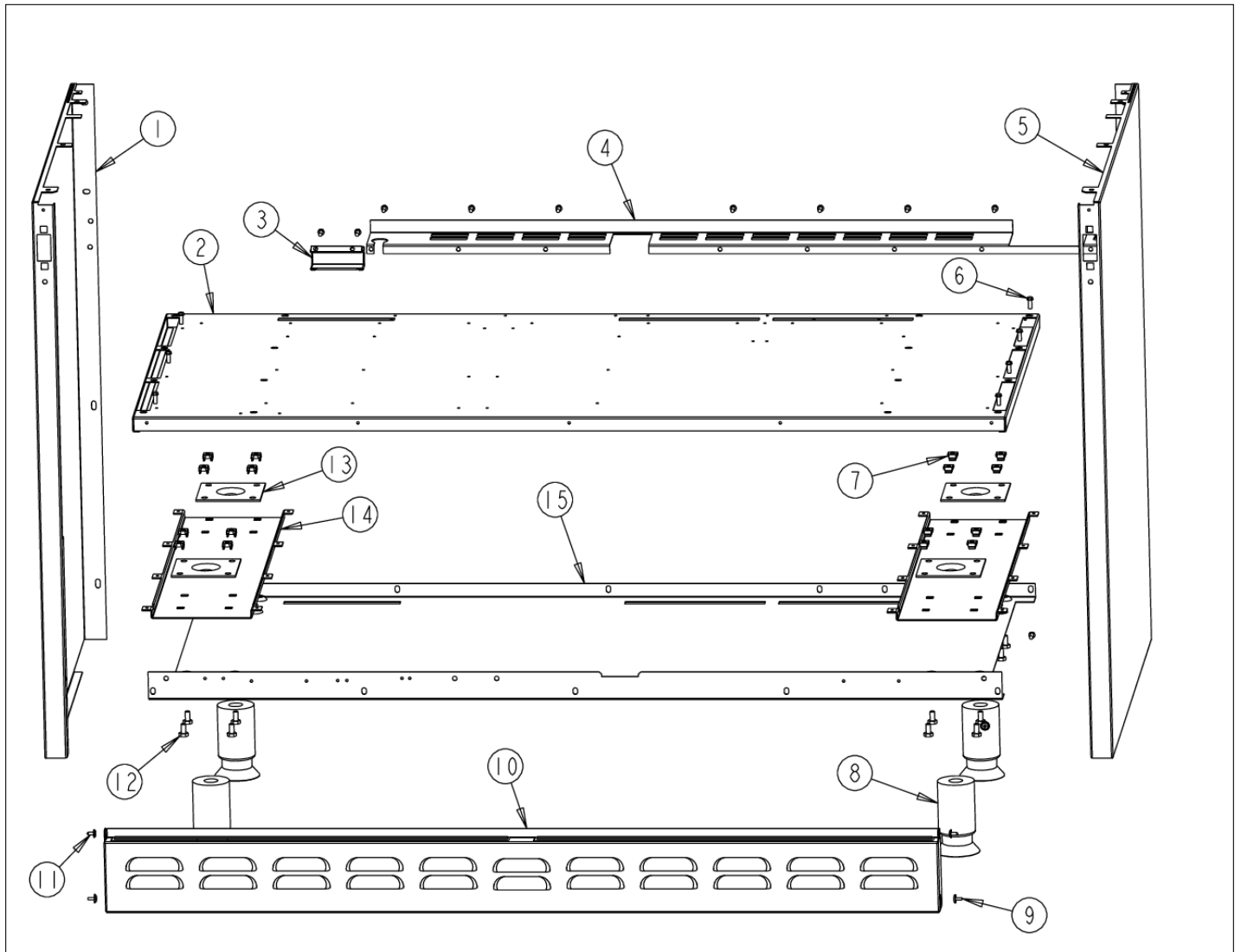


Item	Part No.	Name	Qty	Uom	NOTES
1	B20010180	O/S BODY PANEL - LH	1	EA	
Not Shown	C90010180AL	SIDE PANEL LH *AL*	1	EA	NO LONGER AVAILABLE, Not available online / Call for pricing and availability
Not Shown	C90010180BK	SIDE PANEL LH *BK*	1	EA	Not available online / Call for pricing and availability
Not Shown	C90010180BT	SIDE PANEL LH *BT*	1	EA	NO LONGER AVAILABLE, Not available online / Call for pricing and availability
Not Shown	C90010180BU	SIDE PANEL LH *BU*	1	EA	
Not Shown	C90010180CB	SIDE PANEL LH *CB*	1	EA	NO LONGER AVAILABLE
Not Shown	C90010180EP	SIDE PANEL LH *EP*	1	EA	NO LONGER AVAILABLE, Not available online / Call for pricing and availability
Not Shown	C90010180FG	SIDE PANEL LH *FG*	1	EA	NO LONGER AVAILABLE, Not available online / Call for pricing and availability
Not Shown	C90010180GG	SIDE PANEL LH *GG*	1	EA	NO LONGER AVAILABLE, Not available online / Call for pricing and availability
Not Shown	C90010180LE	SIDE PANEL LH *LE*	1	EA	NO LONGER AVAILABLE, Not available online / Call for pricing and availability
Not Shown	C90010180MJ	SIDE PANEL LH *MJ*	1	EA	
Not Shown	C90010180SG	SIDE PANEL LH *SG*	1	EA	NO LONGER AVAILABLE, Not available online / Call for pricing and availability
Not Shown	C90010180VB	SIDE PANEL LH *VB*	1	EA	NO LONGER AVAILABLE, Not available online / Call for pricing and availability

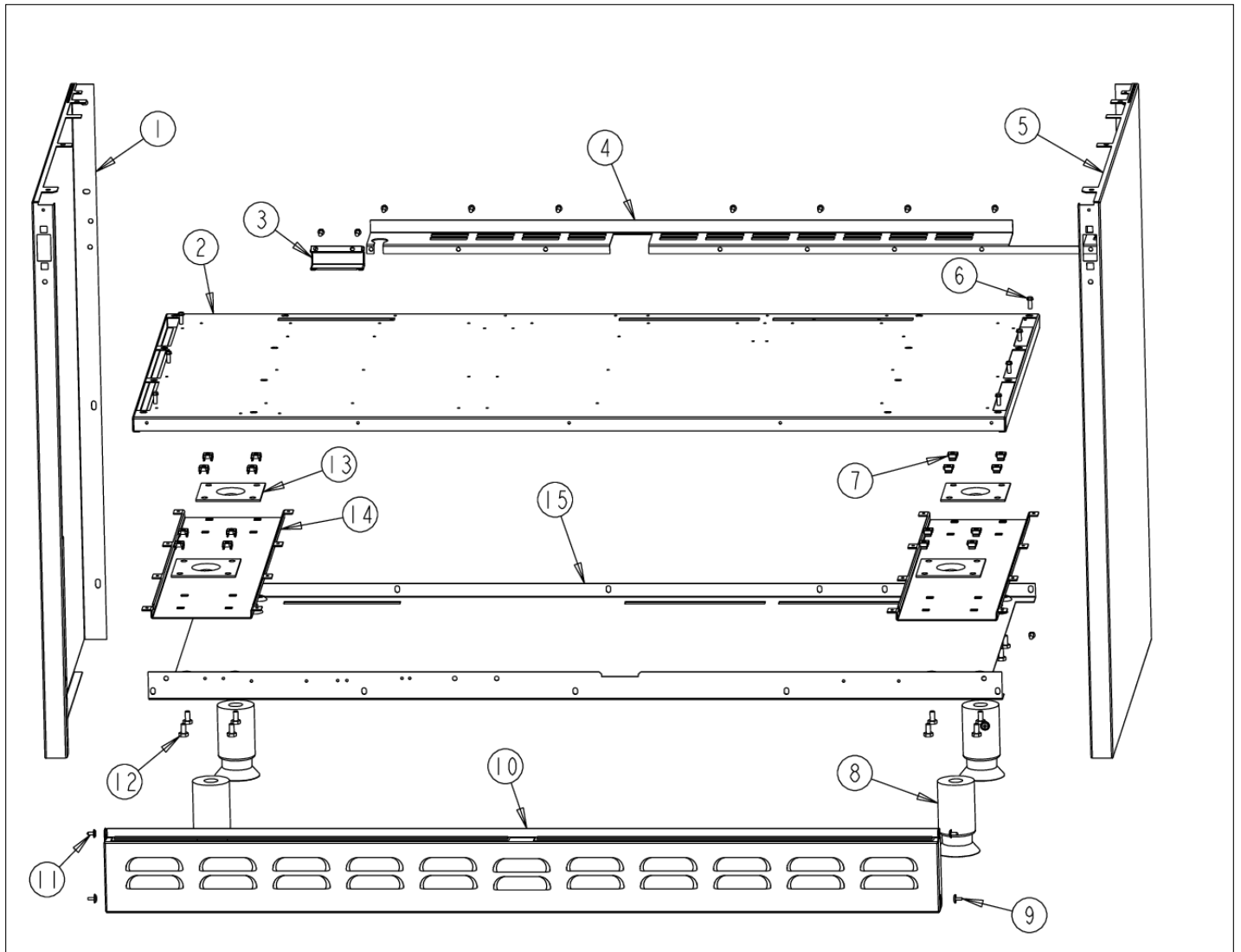




Item	Part No.	Name	Qty	Uom	NOTES
Not Shown	C90010180WH	SIDE PANEL LH *WH*	1	EA	
2	A2002501	BTM INSULATION SHIELD (VDSC48)	1	EA	NO LONGER AVAILABLE, Not available online / Call for pricing and availability
3	A2004481	WIRE CHANNEL RH (VGSC306)	1	EA	NO LONGER AVAILABLE
4	A2005584	O/S OVEN BACK BOTTOM	1	EA	NO LONGER AVAILABLE
5	B20010179	O/S BODY PANEL - RH	1	EA	
Not Shown	C90010179AL	SIDE PANEL RH *AL*	1	EA	NO LONGER AVAILABLE, Not available online / Call for pricing and availability
Not Shown	C90010179BK	SIDE PANEL RH *BK*	1	EA	NO LONGER AVAILABLE
Not Shown	C90010179BT	SIDE PANEL RH *BT*	1	EA	NO LONGER AVAILABLE, Not available online / Call for pricing and availability
Not Shown	C90010179BU	SIDE PANEL RH *BU*	1	EA	Not available online / Call for pricing and availability
Not Shown	C90010179CB	SIDE PANEL RH *CB*	1	EA	NO LONGER AVAILABLE
Not Shown	C90010179EP	SIDE PANEL RH *EP*	1	EA	NO LONGER AVAILABLE, Not available online / Call for pricing and availability
Not Shown	C90010179FG	SIDE PANEL RH *FG*	1	EA	NO LONGER AVAILABLE, Not available online / Call for pricing and availability
Not Shown	C90010179GG	SIDE PANEL RH *GG*	1	EA	NO LONGER AVAILABLE, Not available online / Call for pricing and availability
Not Shown	C90010179LE	SIDE PANEL RH *LE*	1	EA	NO LONGER AVAILABLE, Not available online / Call for pricing and availability



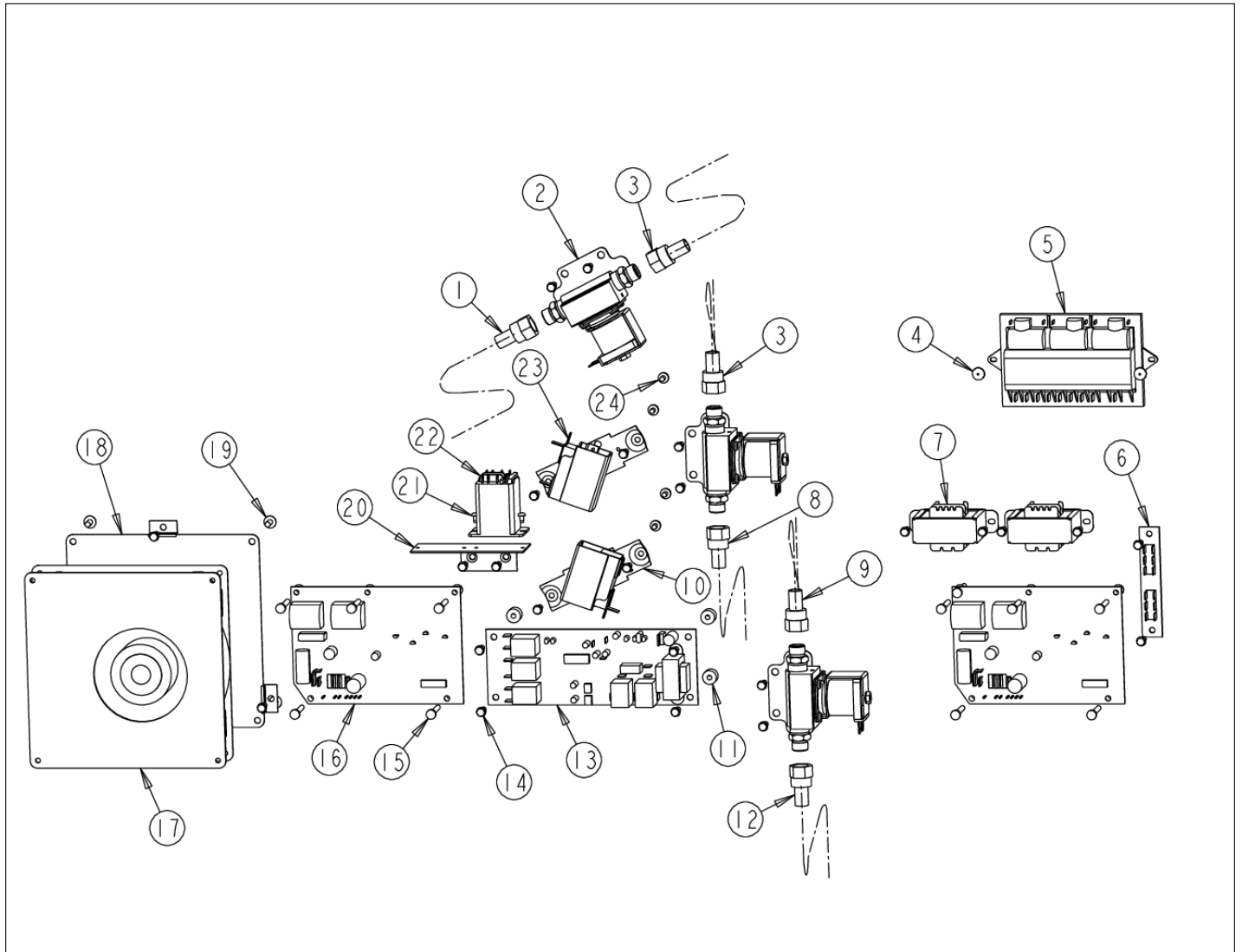
Item	Part No.	Name	Qty	Uom	NOTES
Not Shown	C90010179MJ	SIDE PANEL RH *MJ*	1	EA	
Not Shown	C90010179SG	SIDE PANEL RH *SG*	1	EA	NO LONGER AVAILABLE, Not available online / Call for pricing and availability
Not Shown	C90010179VB	SIDE PANEL RH *VB*	1	EA	NO LONGER AVAILABLE, Not available online / Call for pricing and availability
Not Shown	C90010179WH	SIDE PANEL RH *WH*	1	EA	
6	PD020060	10 X 1/2" (5/16)HEX WSHER HD.(T)A	1	EA	
7	PD030029	SELF RETAINING NUT (1/4-20)	1	EA	
8	PC030017	4" LEG ASSY	1	EA	
9	PD020073	SRW #10 X 24 X 3/8 WAFER HD TYPE23	1	EA	
10	B2001241	LWR ACC. PNL - RPLCS B2001973	1	EA	
Not Shown	C9001241AL	LWR ACC PNL - RPLCS C9001973AL	1	EA	NO LONGER AVAILABLE, Not available online / Call for pricing and availability
Not Shown	C9001241BK	LWR ACC PNL - RPLCS C9001973BK	1	EA	
Not Shown	C9001241BT	LWR ACC PNL - RPLCS C9001973BT	1	EA	NO LONGER AVAILABLE
Not Shown	C9001241BU	LWR ACC PNL - RPLCS C9001973BU	1	EA	
Not Shown	C9001241CB	LWR ACC PNL - RPLCS C9001973CB	1	EA	NO LONGER AVAILABLE
Not Shown	C9001241EP	LWR ACC PNL - RPCLS C9001973EP	1	EA	NO LONGER AVAILABLE, Not available online / Call for pricing and availability
Not Shown	C9001241FG	LWR ACC PNL - RPLCS C9001973FG	1	EA	NO LONGER AVAILABLE, Not available online / Call for pricing and availability
Not Shown	C9001241GG	LWR ACC PNL - RPLCS C9001973GG	1	EA	Not available online / Call for pricing and availability





Item	Part No.	Name	Qty	Uom	NOTES
Not Shown	C9001241LE	LWR ACC PNL - RPLCS C9001973LE	1	EA	NO LONGER AVAILABLE
Not Shown	C9001241MJ	LWR ACC PNL - RPLCS C9001973MJ	1	EA	NO LONGER AVAILABLE
Not Shown	C9001241SG	LWR ACC PNL - RPLCS C9001973SG	1	EA	Not available online / Call for pricing and availability
Not Shown	C9001241VB	LWR ACC PNL - RPLCS C9001973VB	1	EA	NO LONGER AVAILABLE, Not available online / Call for pricing and availability
Not Shown	C9001241WH	LWR ACC PNL - RPLCS C9001973WH	1	EA	
11	PD020032	SRW-8(A)X3/8"PH.WFR HD 7/16DIA*NICL	1	EA	
12	PD010006	HEX HD. BOLT - 1/4-20 X 1/2	1	EA	
13	PC030007	LEG PLATE - 3/4" THREADED HOLE	1	EA	
14	A2002482	LEG BRACE (VDSC)	1	EA	NO LONGER AVAILABLE
15	A2002500	MAIN BTM (VDSC485)	1	EA	NO LONGER AVAILABLE
NI	019503-000	48" CURB BASE KIT	1	EA	

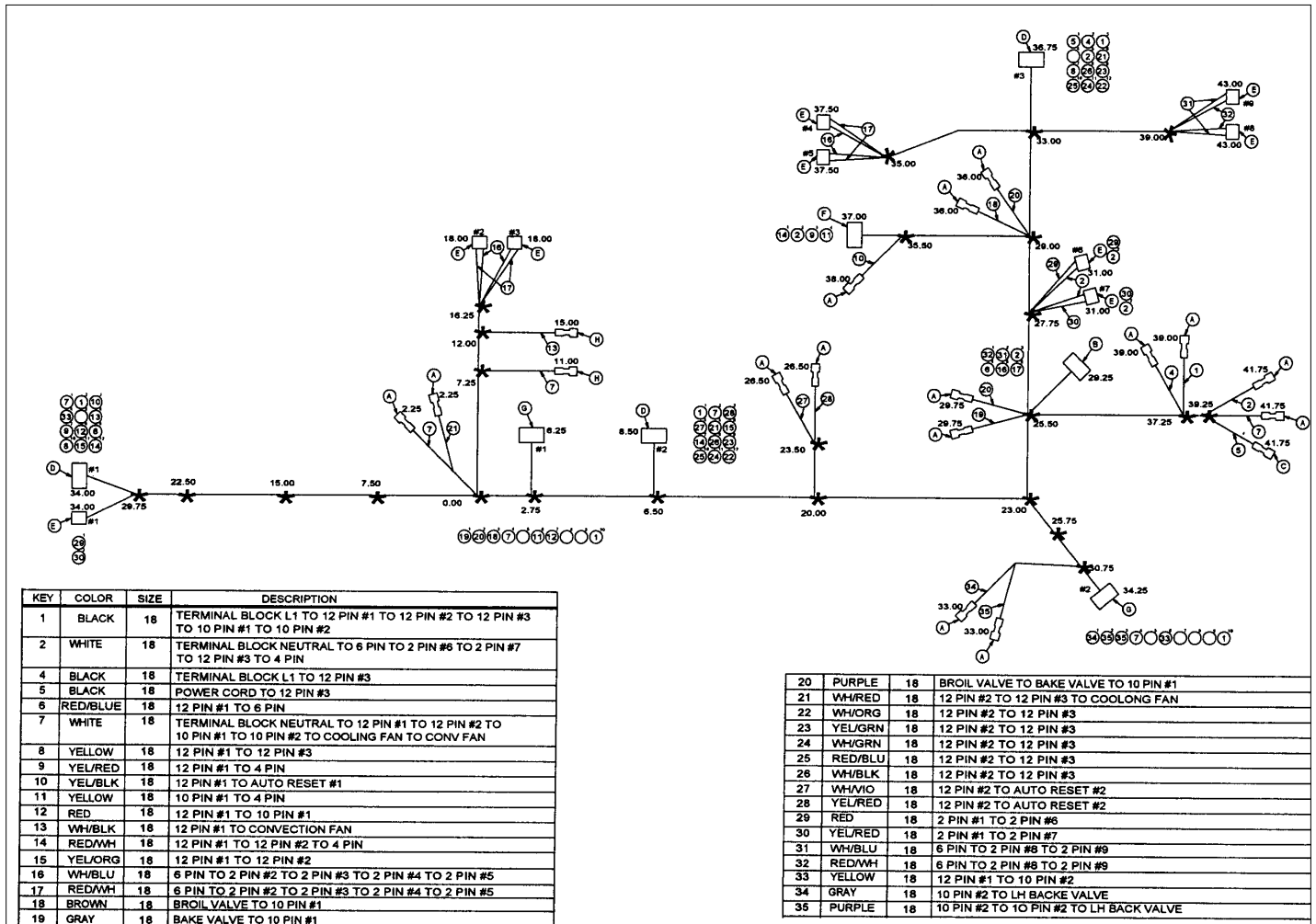
REAR ELECTRONICS



Item	Part No.	Name	Qty	Uom	NOTES
1	PB020126	3/8" S.S. FLEX TUBING 15" (DGCU)	1	EA	
2	PA010139	F J T VALVE REPL PA010079	1	EA	
3	PB020136	44" 3/8 S.S. FLEX TUBING T6-44	1	EA	
4	PD020002	10 X 1/2 PH.TR.HD.SMS.	1	EA	
5	PA020048	Spark Module (6B /6G/ 4Q)	1	EA	
6	PE050001	TERMINAL BOARD	1	EA	
7	Pe070468	TRANSFORMER HALOGEN LIGHTS	1	EA	
8	PB020127	3/8" S.S. FLEX TUBING 20" (DGCU)	1	EA	
9	PB020113	3/8 SS FLEX TUBING - 52" T6-52	1	EA	
10	A1002456	THERMO-DISC BRKT (VDSC)	1	EA	
11	PD030033	GROMMET NUT-ROUND HD. #8 X .500DIA.	1	EA	
12	PB020111	TUBING,FLEX,38"	1	EA	
13	PE070148	SELF-CLEAN BOARD/TIMER (VDSC)	1	EA	
14	PD020060	10 X 1/2" (5/16)HEX WSHER HD.(T)A	1	EA	
15	PD020053	#8 X 1 1/2 HEX WASHER HEAD SMS(VERT	1	EA	
16	PA020035	DSI MODULE REPL PA020027	1	EA	
17	PE050026	COOLING FAN (VDSC)	1	EA	
18	A2005414	COOLING FAN BRACKET	1	EA	NO LONGER AVAILABLE, Not available online / Call for pricing and availability
19	PD010003	10-24 X 1/2 PH.TR.HD.SERD.M.S.	1	EA	
20	A2004458	RELAY BRACKET (VGSC306) (2 RELAY)	1	EA	NO LONGER AVAILABLE
21	PD020006	' #6-32 X 1/4" PH.PAN HD. T(F)	1	EA	
22	PM010029	RELAY (DOUBLE POLE-DOUBLE THROW)TEM	1	EA	
23	PJ030002	AUTO RESET (SELF-CLEAN) VDSC	1	EA	
24	PD020044	#8-32 X 1/4" PH. TR. HD. M.S.	1	EA	



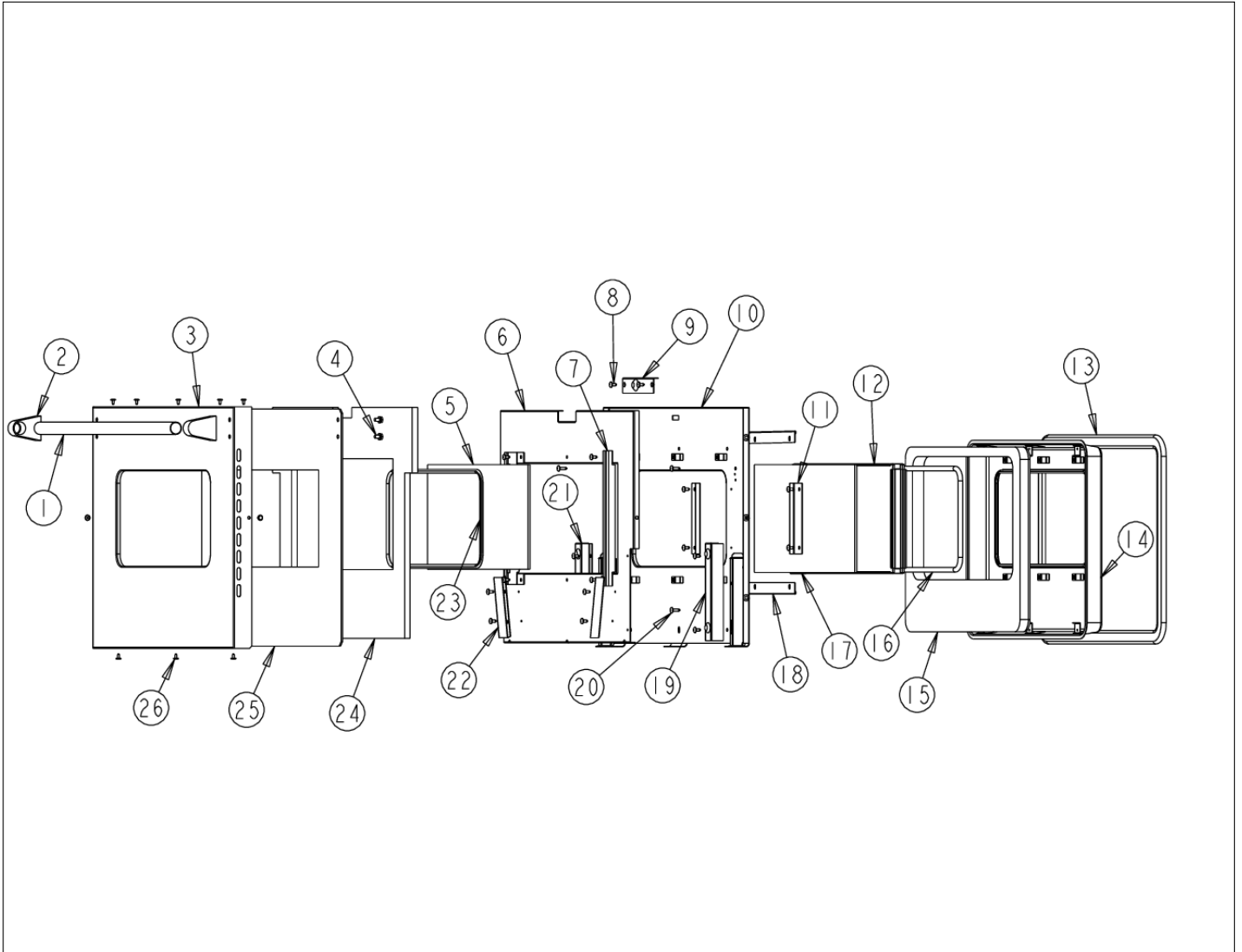
REAR MAIN HARNESS





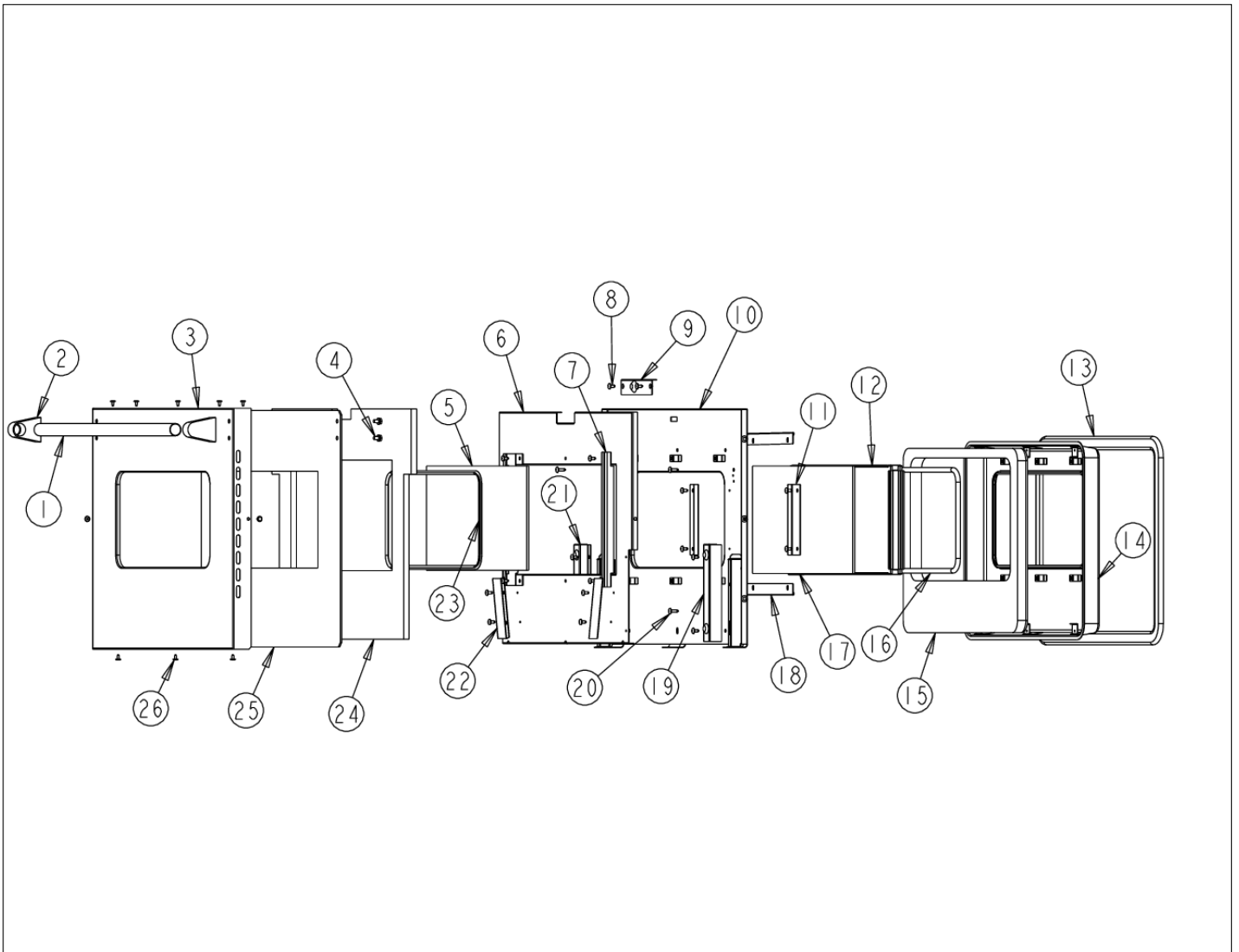
Item	Part No.	Name	Qty	Uom	NOTES
1	PE070389	VGSC486 REAR MAIN HARNESS	1	EA	

RH DOOR

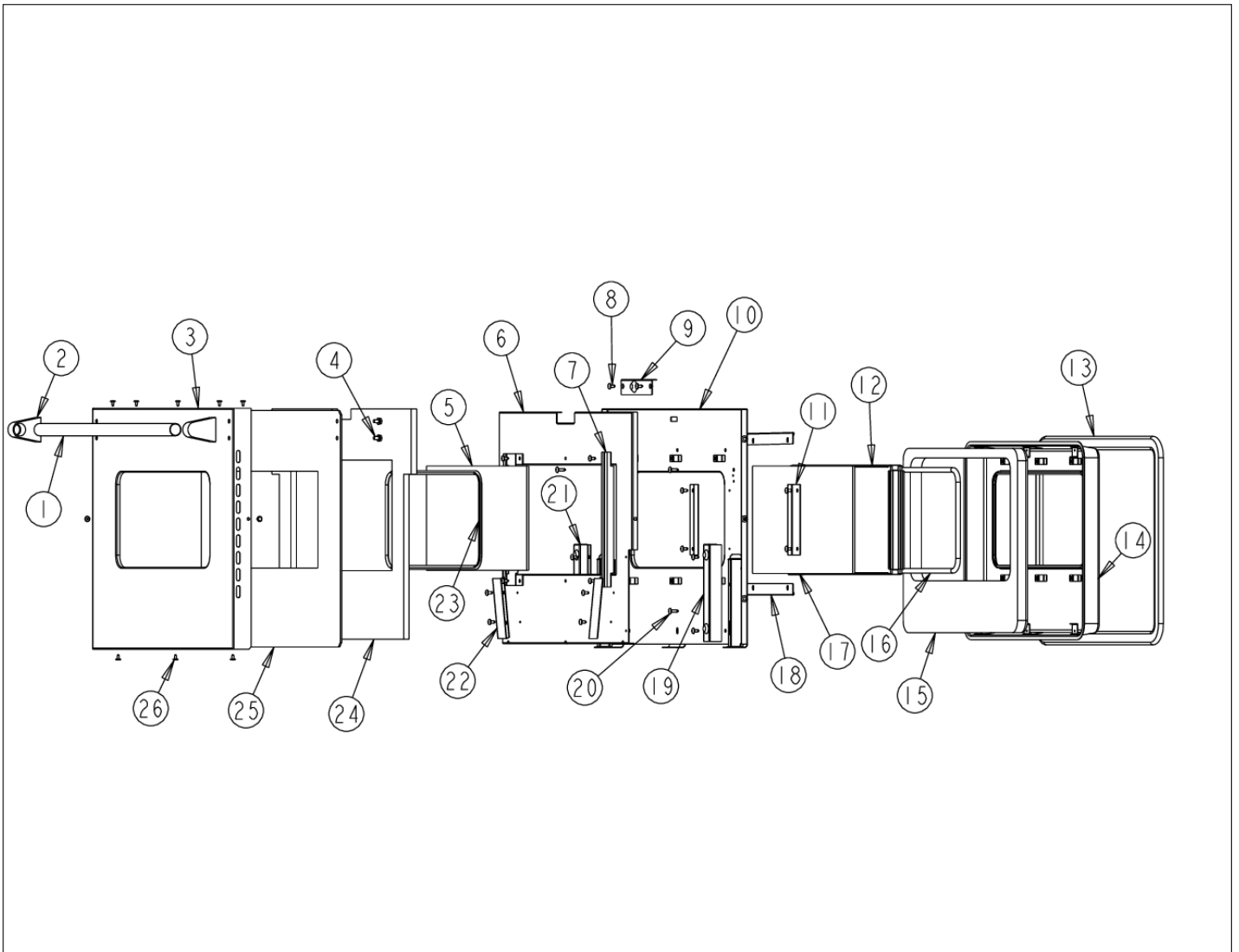




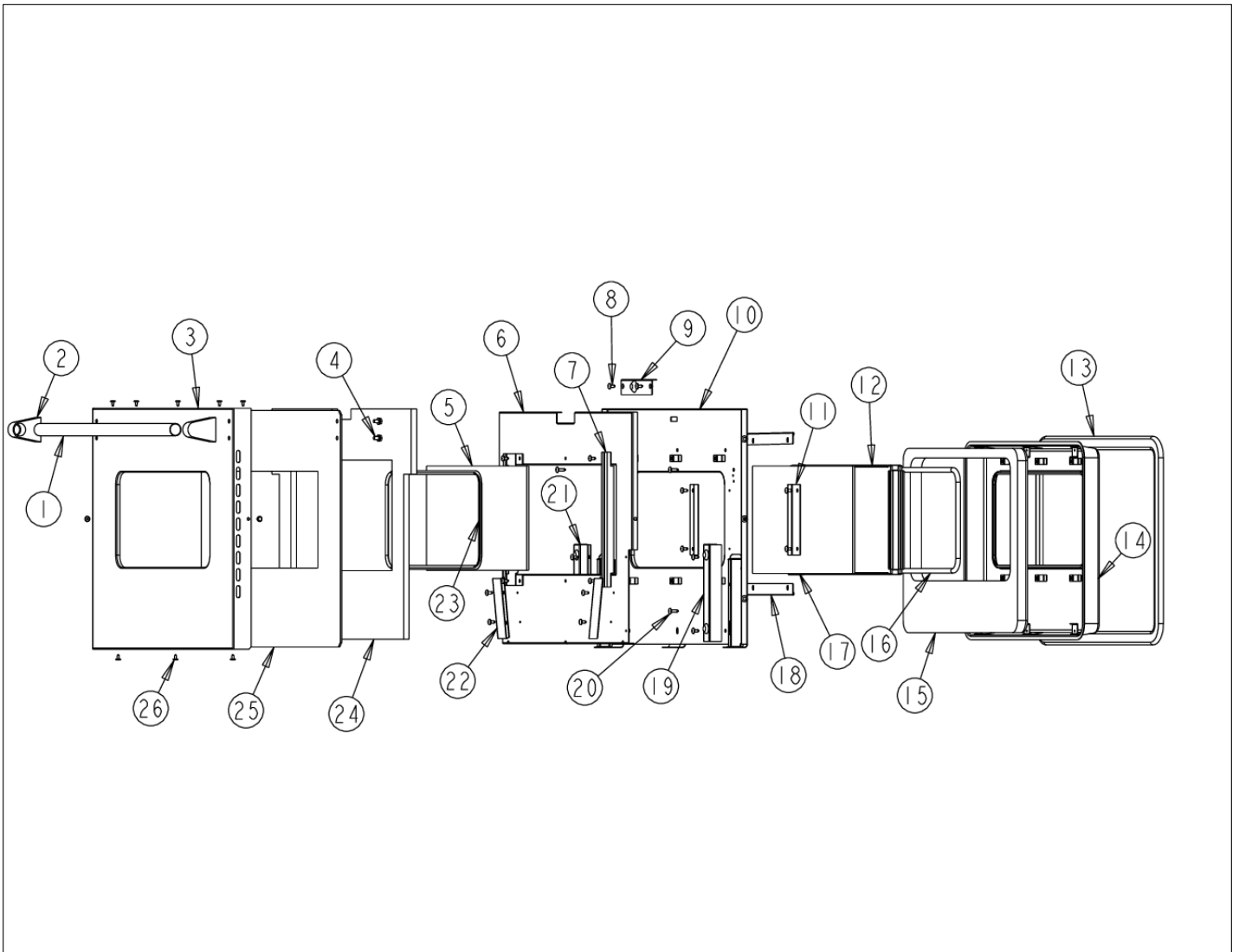
Item	Part No.	Name	Qty	Uom	NOTES
1	PE030005	DOOR HANDLE - VGSC30/RC60/RC48RH	1	EA	
Not Shown	PE030012PVD	DOOR HANDLE - RH - (30"/48") PVD	1	EA	
2	000268-000	HANDLE ENDCAP	1	EA	
Not Shown	PE030001PVD	END CAP DOOR HANDLE *BR	1	EA	
3	B2002528	O/S DOOR PANEL RH *SS* (VDSC48)	1	EA	
Not Shown	C9002528AL	O/S DOOR PANEL-RH *AL* (VDSC48)	1	EA	NO LONGER AVAILABLE
Not Shown	C9002528BK	O/S DOOR PANEL-RH *BK* (VDSC48)	1	EA	
Not Shown	C9002528BT	O/S DOOR PANEL-RH *BT* (VDSC48)	1	EA	NO LONGER AVAILABLE
Not Shown	C9002528BU	O/S DOOR PANEL-RH *BU* (VDSC48)	1	EA	
Not Shown	C9002528CB	O/S DOOR PANEL-RH *CB* (VDSC48)	1	EA	Not available online / Call for pricing and availability
Not Shown	C9002528EP	O/S DOOR PANEL-RH *EP* (VDSC48)	1	EA	NO LONGER AVAILABLE, Not available online / Call for pricing and availability
Not Shown	C9002528FG	O/S DOOR PANEL-RH *FG* (VDSC48)	1	EA	NO LONGER AVAILABLE, Not available online / Call for pricing and availability
Not Shown	C9002528GG	O/S DOOR PANEL-RH *GG* (VDSC48)	1	EA	Not available online / Call for pricing and availability
Not Shown	C9002528LE	O/S DOOR PANEL-RH *LE* (VDSC48)	1	EA	NO LONGER AVAILABLE
Not Shown	C9002528MJ	O/S DOOR PANEL-RH *MJ* (VDSC48)	1	EA	NO LONGER AVAILABLE, Not available online / Call for pricing and availability
Not Shown	C9002528SG	O/S DOOR PANEL-RH *SG* (VDSC48)	1	EA	Not available online / Call for pricing and availability



Item	Part No.	Name	Qty	Uom	NOTES
Not Shown	C9002528VB	O/S DOOR PANEL-RH *VB* (VDSC48)	1	EA	NO LONGER AVAILABLE, Not available online / Call for pricing and availability
Not Shown	C9002528WH	O/S DOOR PANEL-RH *WH* (VDSC48)	1	EA	NO LONGER AVAILABLE
4	PD010019	BLT-1/4-20X3/8"HEX WASHER SERATED	1	EA	
5	PE060030	OUTER DOOR GLASS	1	EA	
6	A2002169	DOOR INSULATION RETAINER (VDSC30)	1	EA	
7	A2002367	DOOR GLASS BRKT	1	EA	
8	PD020002	10 X 1/2 PH.TR.HD.SMS.	1	EA	
9	A20012192	DOOR LATCH COVER	1	EA	Not available online / Call for pricing and availability
10	G9102747	DR LINER ASY(VDSC30/48)REP H9102173	1	EA	
11	A2002189	DOOR GLASS STANDOFF (VDSC)	1	EA	
12	PE060064	WINDOW PACK, SELF CLEANING OVEN 30"	1	EA	
13	000623-000	DOOR GASKET(3/8"DIA.) (VDSC)	1	EA	
14	G9102745	DR PG ASSY VDSC30/48" RE H9102175 (Before 12/20/2012)	1	EA	
15	PB070076	WOOL INSULATION 1" X 21" X 3'	1	EA	
16	000594-000	BLACK FIBERGLASS ROPE 3/8	1	EA	
17	PE060039	GLASS-HEAT TREATED (HB2) VDSC	1	EA	
18	A2007943	GLASSPACK BRACKET, LARGE	1	EA	
19	A2002498	HINGE POCKET COVER RH	1	EA	
20	PD020014	10X3/4 PH TR HD SMS	1	EA	
21	A2002499	HINGE POCKET COVER LH	1	EA	
22	A2002497	DOOR GUIDE ANGLE VDSC	1	EA	
23	PE060031	J-MOLD (LARGE WINDOW)	1	EA	
Not Shown	PE060045	J-MOLD (LARGE WINDOW) *BR*	1	EA	
24	PB070145	SUPERWOOL 5" X 24" X 3'	1	EA	

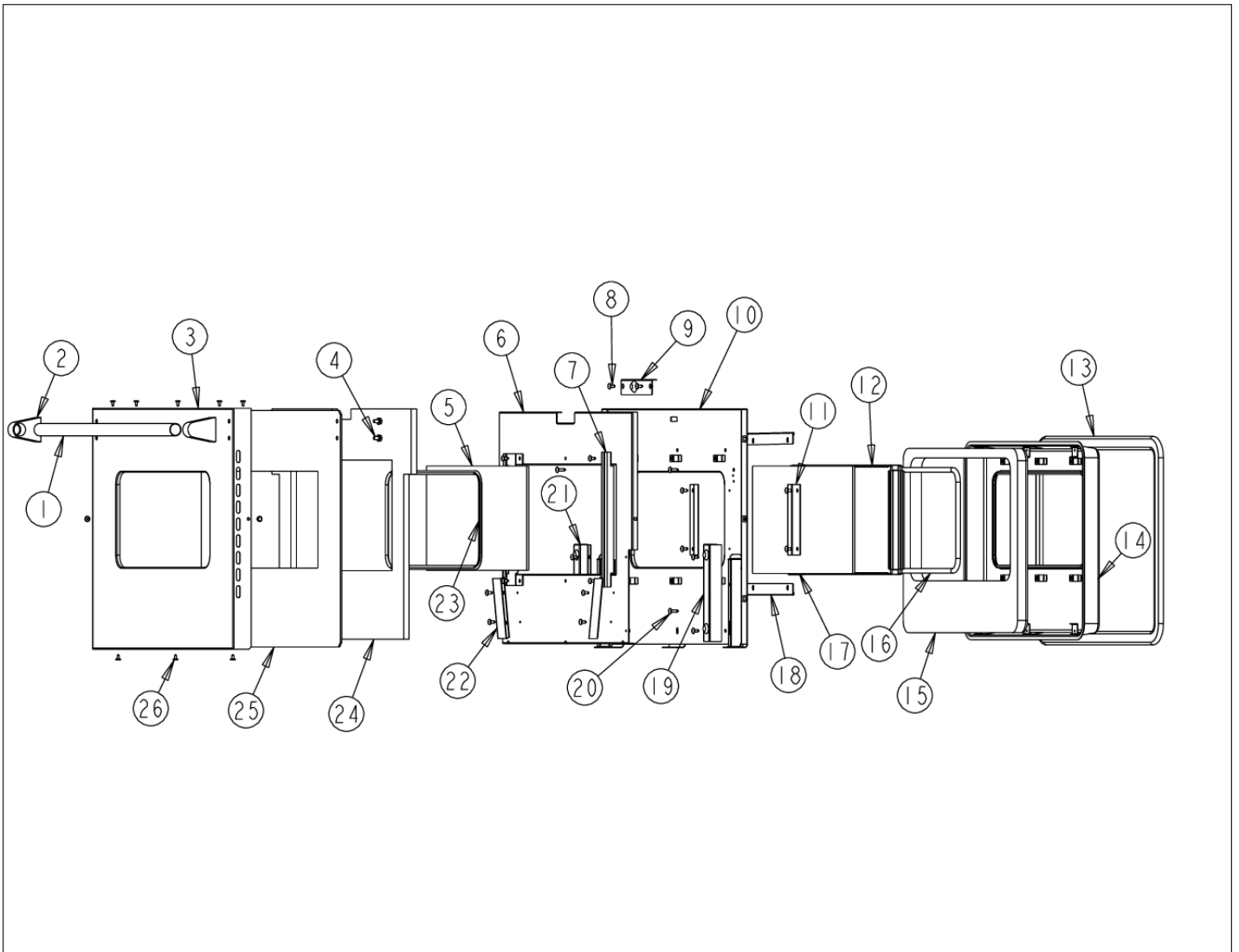


Item	Part No.	Name	Qty	Uom	NOTES
25	J1002594	OVEN DR HEAT SINK (VDSC30)	1	EA	
26	PD020032	SRW-8(A)X3/8"PH.WFR HD 7/16DIA*NICL	1	EA	
NI	G3202549AL	DOOR SUB-ASSY- RH *AL* (VDSC48)	1	EA	NO LONGER AVAILABLE, Not available online / Call for pricing and availability
Not Shown	G3202549ALBR	DOOR SUB-ASSY- RH *AL**BR* (VDSC48)	1	EA	NO LONGER AVAILABLE, Not available online / Call for pricing and availability
Not Shown	G3202549BK	DOOR SUB-ASSY- RH *BK* (VDSC48)	1	EA	Not available online / Call for pricing and availability
Not Shown	G3202549BKBR	DOOR SUB-ASSY- RH *BK**BR* (VDSC48)	1	EA	NO LONGER AVAILABLE
Not Shown	G3202549BT	DOOR SUB-ASSY-RH *BT* (VDSC48)	1	EA	NO LONGER AVAILABLE, Not available online / Call for pricing and availability
Not Shown	G3202549BTBR	COMPLETE DOOR ASSEMBLY - BTBR	1	EA	Not available online / Call for pricing and availability
Not Shown	G3202549BU	DOOR SUB-ASSY- RH *BU* (VDSC48)	1	EA	NO LONGER AVAILABLE
Not Shown	G3202549BUBR	DOOR SUB-ASSY- RH *BU**BR* (VDSC48)	1	EA	NO LONGER AVAILABLE, Not available online / Call for pricing and availability
Not Shown	G3202549CB	DOOR SUB-ASSY-RH *CB* (VDSC48)	1	EA	NO LONGER AVAILABLE, Not available online / Call for pricing and availability
Not Shown	G3202549CBBR	COMPLETE DOOR ASSEMBLY - CBBR	1	EA	Not available online / Call for pricing and availability
Not Shown	G3202549EP	DOOR SUB-ASSY- RH *EP* (VDSC48)	1	EA	NO LONGER AVAILABLE, Not available online / Call for pricing and availability





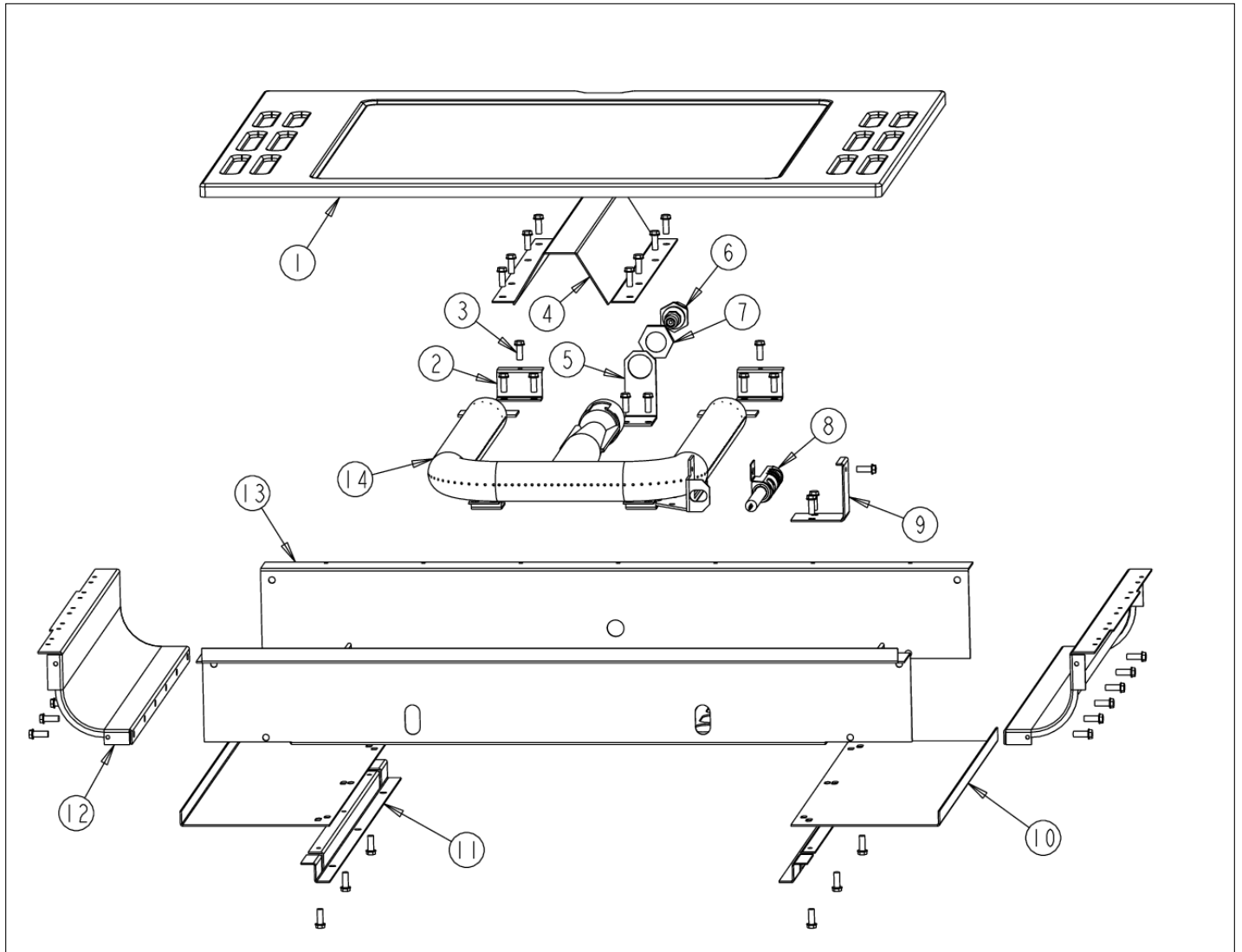
Item	Part No.	Name	Qty	Uom	NOTES
Not Shown	G3202549EPBR	COMPLETE DOOR ASSEMBLY - EPBR	1	EA	Not available online / Call for pricing and availability
Not Shown	G3202549FG	DOOR SUB-ASSY- RH *FG* (VDSC48)	1	EA	NO LONGER AVAILABLE, Not available online / Call for pricing and availability
Not Shown	G3202549FGBR	DOOR SUB-ASSY- RH *FG**BR* (VDSC48)	1	EA	NO LONGER AVAILABLE, Not available online / Call for pricing and availability
Not Shown	G3202549GG	DOOR SUB-ASSY-RH *GG* (VDSC48)	1	EA	NO LONGER AVAILABLE, Not available online / Call for pricing and availability
Not Shown	G3202549GGBR	DOOR SUB-ASSY- RH *GG*BR* (VDSC48)	1	EA	NO LONGER AVAILABLE, Not available online / Call for pricing and availability
Not Shown	G3202549LE	DOOR SUB-ASSY-RH *LE* (VDSC48)	1	EA	NO LONGER AVAILABLE, Not available online / Call for pricing and availability
Not Shown	G3202549LEBR	COMPLETE DOOR ASSEMBLY - LEBR	1	EA	Not available online / Call for pricing and availability
Not Shown	G3202549MJ	DOOR SUB-ASSY-RH *MJ* (VDSC48)	1	EA	NO LONGER AVAILABLE, Not available online / Call for pricing and availability
Not Shown	G3202549MJBR	COMPLETE DOOR ASSEMBLY - MJBR	1	EA	Not available online / Call for pricing and availability
Not Shown	G3202549SG	DOOR SUB-ASSY- RH *SG* (VDSC48)	1	EA	NO LONGER AVAILABLE
Not Shown	G3202549SGBR	COMPLETE DOOR ASSEMBLY - SGBR	1	EA	Not available online / Call for pricing and availability
Not Shown	G3202549SS	DOOR SUB-ASSY- RH *SS* (VDSC48)	1	EA	





Item	Part No.	Name	Qty	Uom	NOTES
Not Shown	G3202549SSBR	DOOR SUB-ASSY- RH *SS**BR* (VDSC48)	1	EA	NO LONGER AVAILABLE, Not available online / Call for pricing and availability
Not Shown	G3202549VB	DOOR SUB-ASSY- RH *VB* (VDSC48)	1	EA	NO LONGER AVAILABLE, Not available online / Call for pricing and availability
Not Shown	G3202549VBBR	DOOR SUB-ASSY- RH *VB**BR* (VDSC48)	1	EA	NO LONGER AVAILABLE, Not available online / Call for pricing and availability
Not Shown	G3202549WH	DOOR SUB-ASSY- RH *WH* (VDSC48)	1	EA	NO LONGER AVAILABLE, Not available online / Call for pricing and availability
Not Shown	G3202549WHBR	DOOR SUB-ASSY- RH *WH**BR* (VDSC48)	1	EA	NO LONGER AVAILABLE, Not available online / Call for pricing and availability

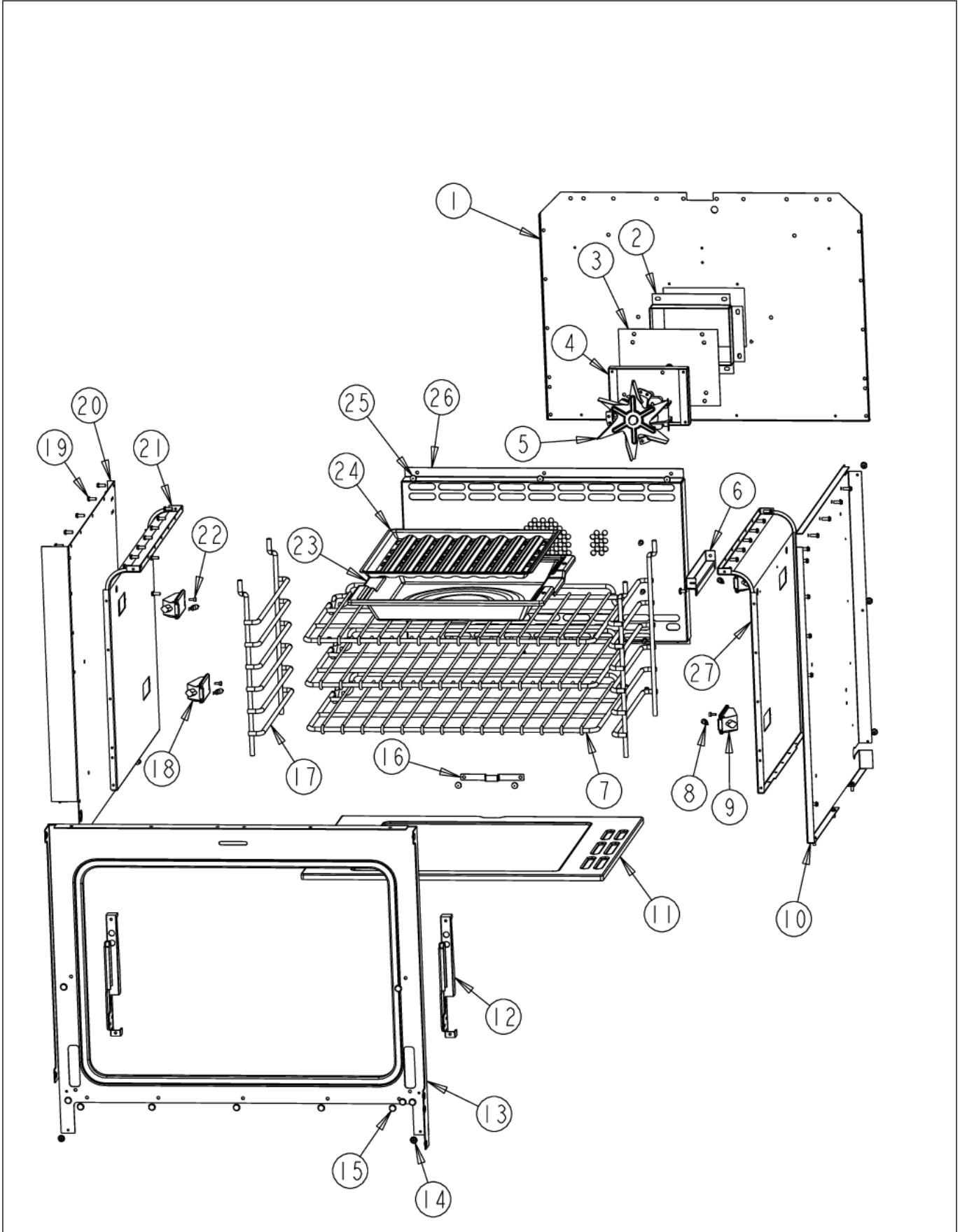
RH OVEN LOWER AREA



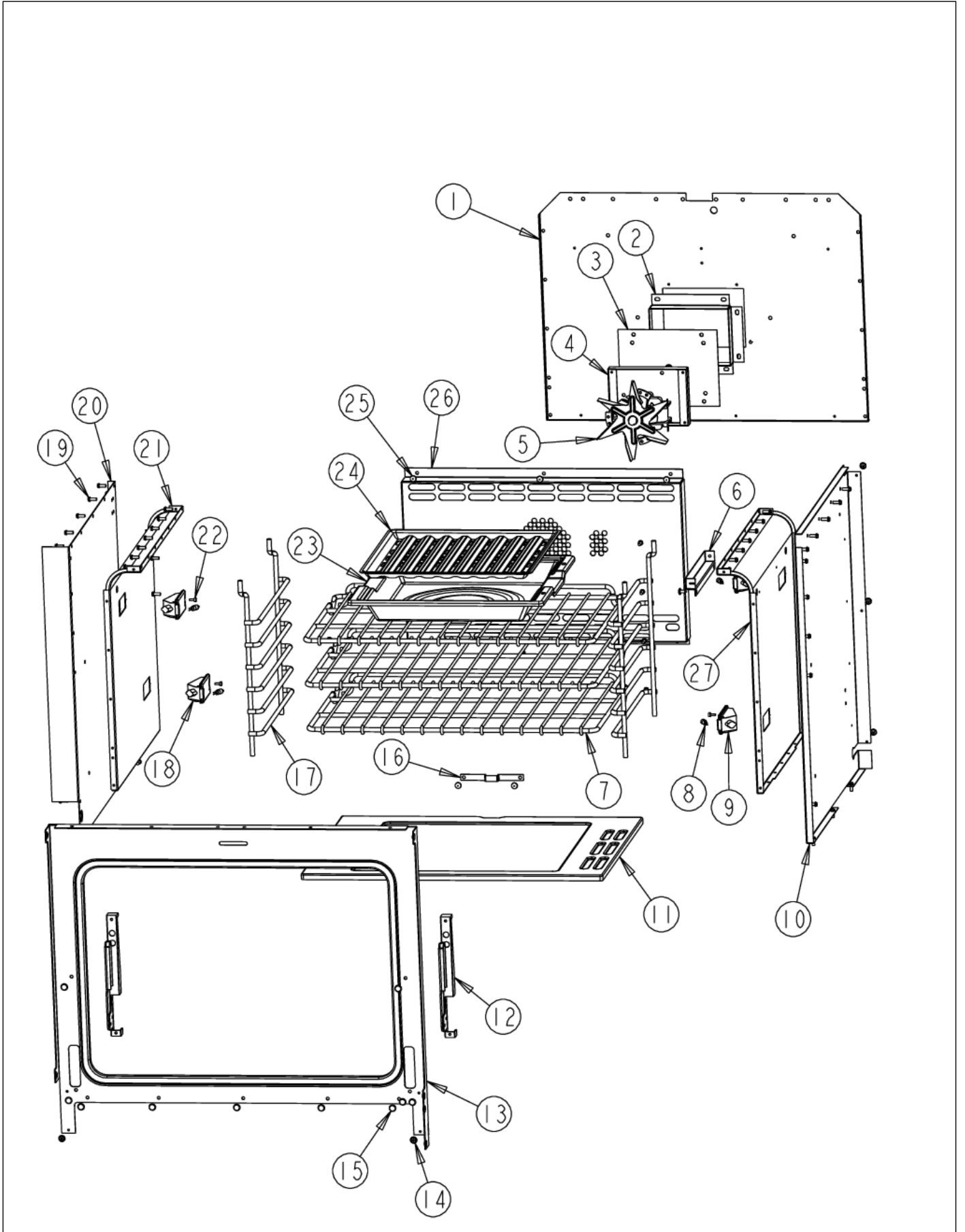


Item	Part No.	Name	Qty	Uom	NOTES
1	068456-000	ASM, BOTTOM, CAVITY, OVEN, GAS, 30", GRAY		EA	
Not Shown	NOTE	(INCLUDES HEAT SHIELD)		EA	
2	B2004415	BURNER BRACKET (VGSC306)		EA	
3	PD020060	10 X 1/2" (5/16)HEX WSHER HD.(T)A		EA	
4	A2004424	BURNER COVER (VGSC306)		EA	
5	A2004434	ORIFICE BRACKET (VGSC306)		EA	Not available online / Call for pricing and availability
6	PB040265	BULKHEAD ORIFICE FITTING		EA	
Not Shown	PB040246	SUB TO PB040035 - #51 ORIFICE HOOD		EA	NO LONGER AVAILABLE
7	PD030018	PALNUT - 3/4-16		EA	
8	PB040170	BAKE IGNITION ELECTRODE		EA	
9	A2004452	BOTTOM IGINATION BRACKET (VGSC306)		EA	
10	A20013316	CAVITY BOTTOM EXTENSION		EA	NO LONGER AVAILABLE, Not available online / Call for pricing and availability
11	A2004429	OVEN BOTTOM INSUL. BRACE (VGSC306)		EA	
12	E2104427	BURNER BOX SIDE RH (VGSC306)		EA	NO LONGER AVAILABLE, Not available online / Call for pricing and availability
13	A20010137	30" CAVITY BOTTOM/48" RH BOTTOM		EA	NO LONGER AVAILABLE, Not available online / Call for pricing and availability
14	006167-000	OVEN, BACK, BOT, ASM, VDSC18"		EA	

RH OVEN MAIN CAVITY



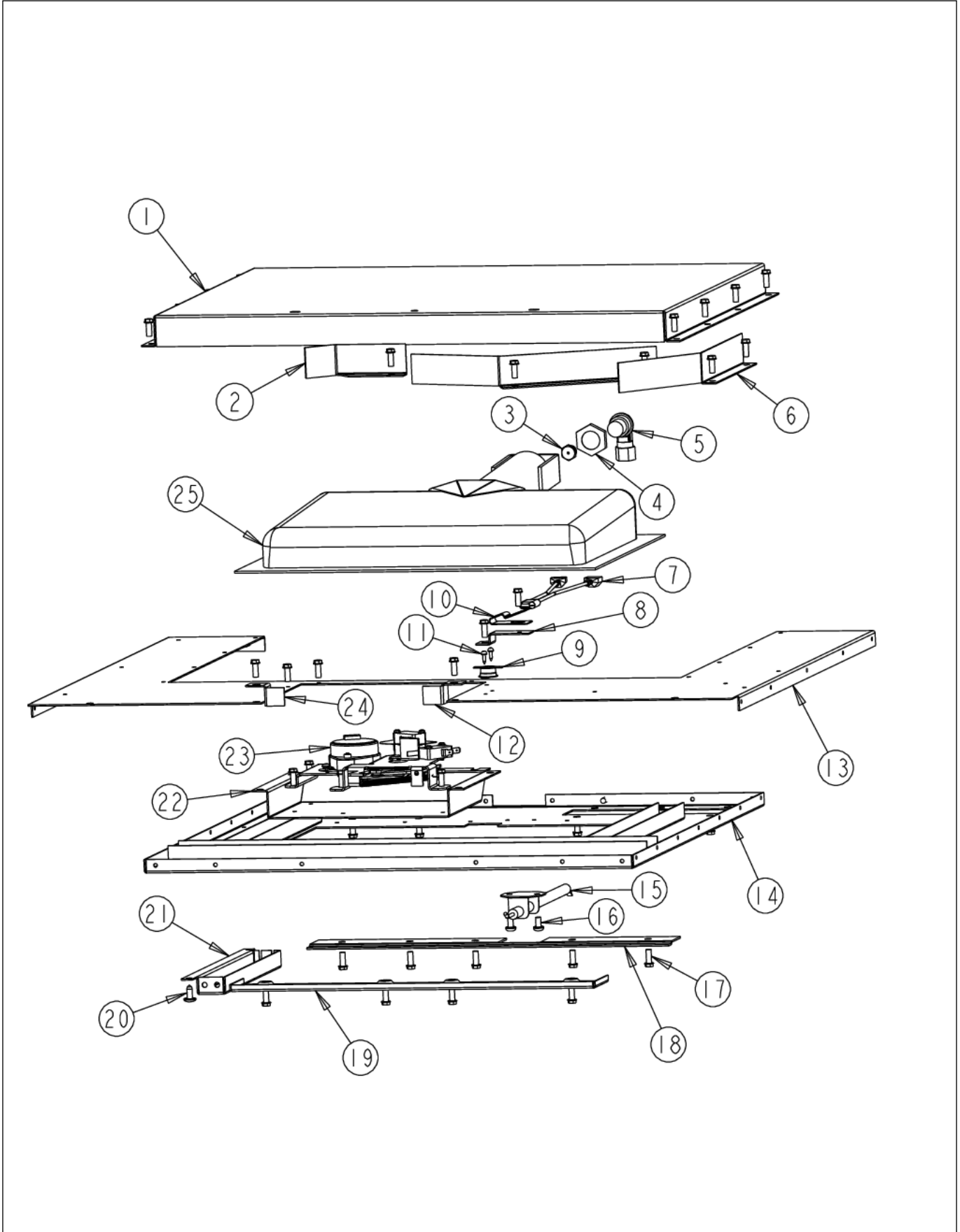
Item	Part No.	Name	Qty	Uom	NOTES
1	E9104405	OVEN BACK (VGSC306)		EA	NO LONGER AVAILABLE
2	A2008467	INSULATION SHIELD		EA	
3	A1002596	CONVECTION FAN COVER (VDSC)		EA	
4	A2002595	CONVECTION FAN BOX (VDSC)		EA	
5	PE050057	CONVECTION FAN (VGSC306)		EA	
6	A2004430	THERMAL BULB SHIELD (VGSC306)		EA	
7	PB060044	OVEN RK VDSC30/48RH REPL PB060019		EA	
8	PE050251	120V 25W HALOGEN APPLIANCE BULB		EA	
9	PE050148	OVEN LIGHT ASSY. W/32" CABLE		EA	
Not Shown	NOTE	Includes Bulb		EA	
10	A2005549	OVEN SIDE INSUL RETAINER R.H.		EA	NO LONGER AVAILABLE, Not available online / Call for pricing and availability
11	068456-000	ASM, BOTTOM, CAVITY, OVEN, GAS, 30", GRAY	1	EA	
NI	A2004439	OVEN BOTTOM SHIELD (VGSC306)	1	EA	
NI	008026-000	SCREW, TEK, #6-20 x 3/8, S.S.	12	EA	
12	PC020009	HINGE ASSY (BROWN)		EA	
13	G9102521	FRONT FRAME ASSY RH (VDSC48)		EA	
14	PD020073	SRW #10 X 24 X 3/8 WAFER HD TYPE23		EA	
15	PD020033	SRW-#10-24X1/2"(23)PH.WFR HD (NKL)		EA	
16	A2004428	REAR BOTTOM BRCKT (VGSC306)		EA	
17	PB060030	RACK SUPT REPL PB060010		EA	
18	PE050056	OVEN LIGHT ASSY 12V/5W		EA	
Not Shown	NOTE	Includes Bulb		EA	
19	PD020060	10 X 1/2" (5/16)HEX WSHR HD.(T)A		EA	





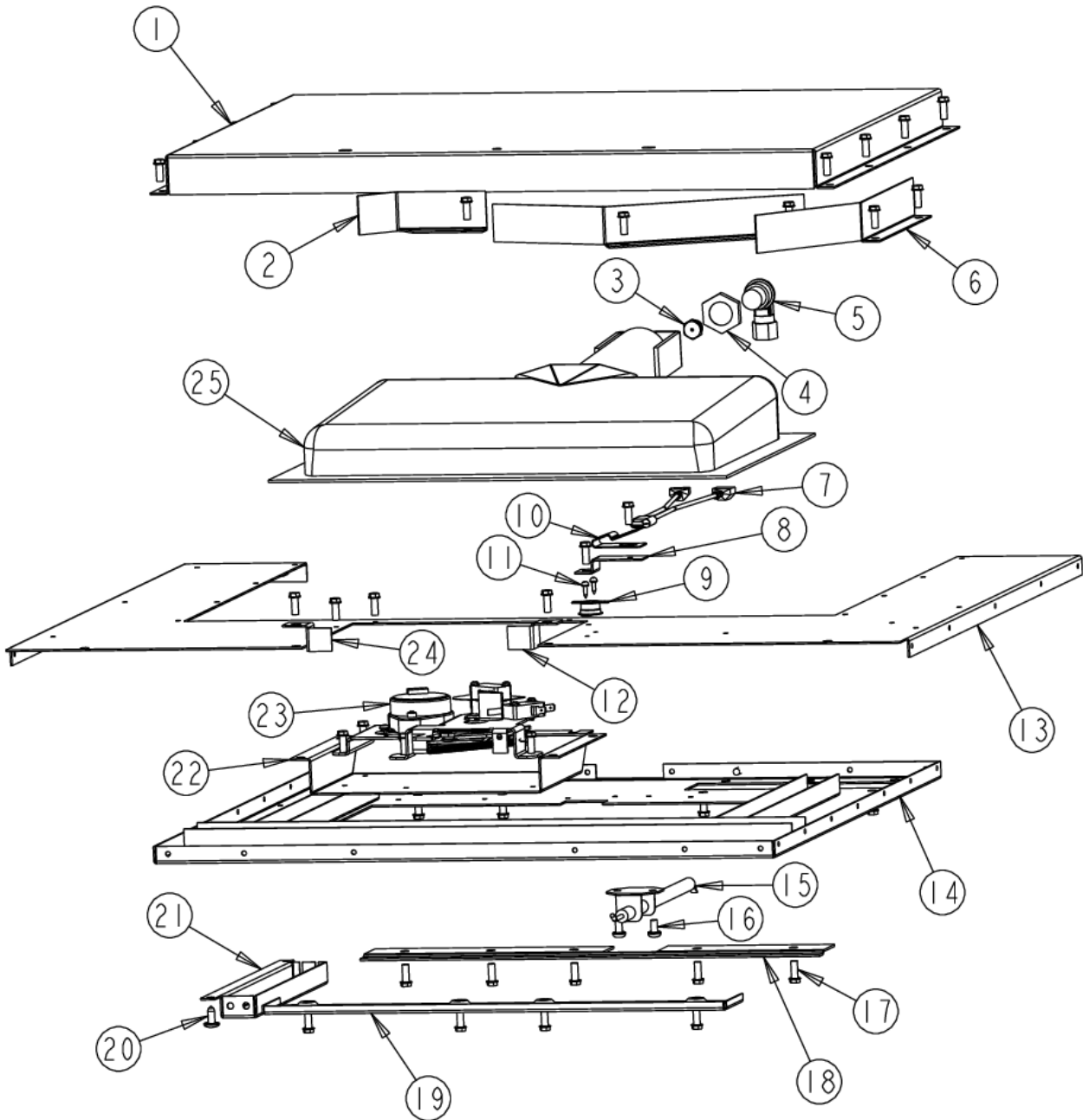
Item	Part No.	Name	Qty	Uom	NOTES
20	A2005677	OVEN SIDE INSULATION RETAINER RH		EA	
21	G9104453	OVEN SIDE ENAMELED ASSY (VGSC306)		EA	NO LONGER AVAILABLE, Not available online / Call for pricing and availability
22	PD020067	' #6 X 3/8" PAN PHIL. TEK *SS*		EA	
23	E9107933	BROILER PAN		EA	
24	E9107934	BROILER PAN INSERT - NLA		EA	
25	PD020002	10 X 1/2 PH.TR.HD.SMS.		EA	
26	G9104482	CONVECTION FAN COVER ASSY (VGSC306)		EA	
27	G9104491	OVEN TANK WELD ASSY. R.H.		EA	NO LONGER AVAILABLE, Not available online / Call for pricing and availability

RH OVEN UPPER AREA





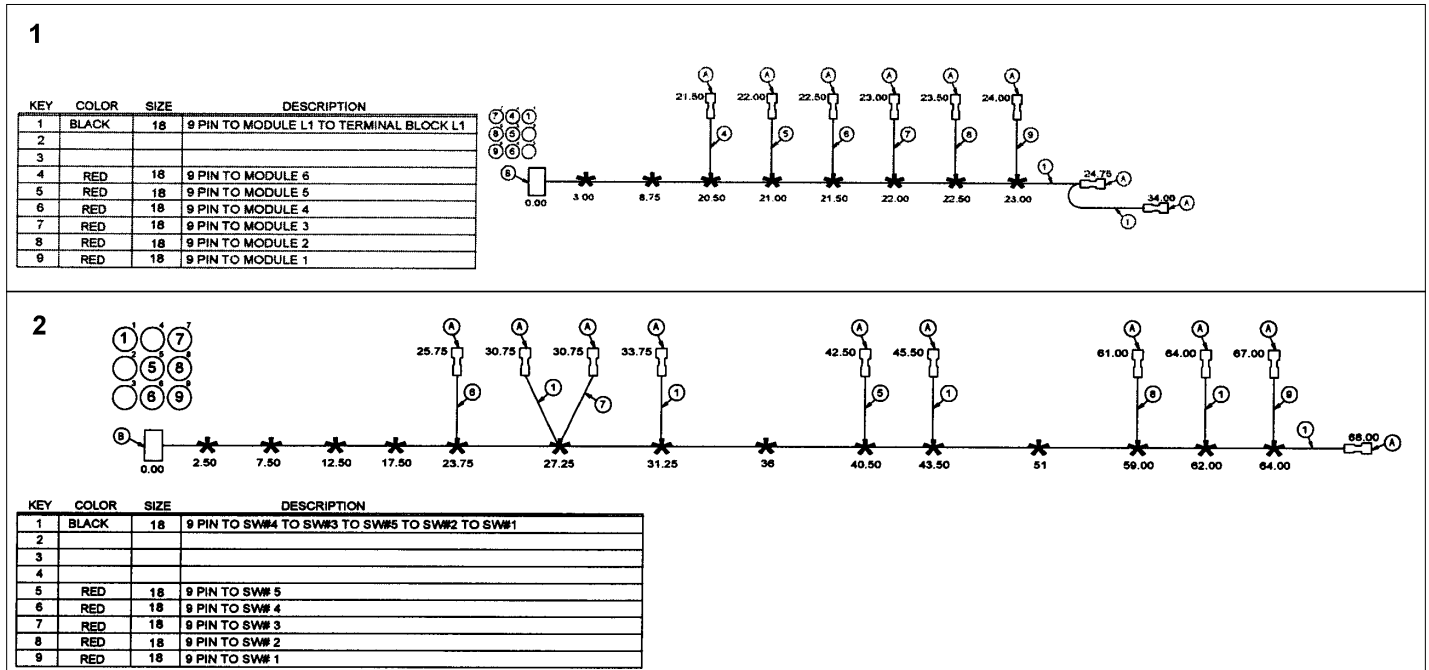
Item	Part No.	Name	Qty	Uom	NOTES
1	A2005561	TOP INSULATION BOX	1	EA	NO LONGER AVAILABLE, Not available online / Call for pricing and availability
2	A20013315	TOP AIR BAFFLE	1	EA	NO LONGER AVAILABLE, Not available online / Call for pricing and availability
3	PB040040	ORIFICE-IR BURNER (VGSC)	1	EA	
Not Shown	PB040027	IR BUR.SPUD ORF. - #56 LP	1	EA	
4	PD030018	PALNUT - 3/4-16	1	EA	
5	PB040178	90 DEGREE ORIFICE FITTING (VGSC306)	1	EA	
6	A2005548	TOP AIR DIVERTER	1	EA	NO LONGER AVAILABLE, Not available online / Call for pricing and availability
7	PE050059	HI-LIMIT SWITCH	1	EA	
8	A2005676	VGSC HIGH LIMIT BRACKET	1	EA	
9	PJ030006	SWITCH (COOLING FAN)	1	EA	
10	PD030062	.250 HI-LIMIT SWITCH CLAMP(VGSC306)	1	EA	
11	PD020013	TYPE "AB" #6 X 3/8 PH PAN HD. SMS	1	EA	
12	A20012914	DOOR GASKET BRACKET RH	1	EA	NO LONGER AVAILABLE, Not available online / Call for pricing and availability
13	A2005580	TOP INSULATION RETAINER RH	1	EA	NO LONGER AVAILABLE, Not available online / Call for pricing and availability
14	G9104440	OVEN TOP WELD ASSY (VGSC306)	1	EA	NO LONGER AVAILABLE
15	PB040171	BROIL IGNITION ELECTRODE	1	EA	
16	PD020004	10X3/8PH.HD.TYPE 25 REPL PD040125	1	EA	
17	PD020060	10 X 1/2" (5/16)HEX WSHER HD.(T)A	1	EA	





Item	Part No.	Name	Qty	Uom	NOTES
18	B2005589	REAR BROILER BRACKET	1	EA	Not available online / Call for pricing and availability
19	B2001448	IR BROIL SUPT (FRONT)	1	EA	
20	PD020002	10 X 1/2 PH.TR.HD.SMS.	1	EA	
21	A2004411	AUTO RESET SHIELD (VGSC306)	1	EA	Not available online / Call for pricing and availability
22	A2004423	DOOR LOCK BOX (VGSC306)	1	EA	
23	PE050053	DR LATCH REPL PE050020	1	EA	
24	A20012913	DOOR GASKET BRACKET LH	1	EA	NO LONGER AVAILABLE, Not available online / Call for pricing and availability
25	G3001876	IR BURNER ASSY (VGSC/RC) N/S	1	EA	

SIMPLE HARNESSES 1



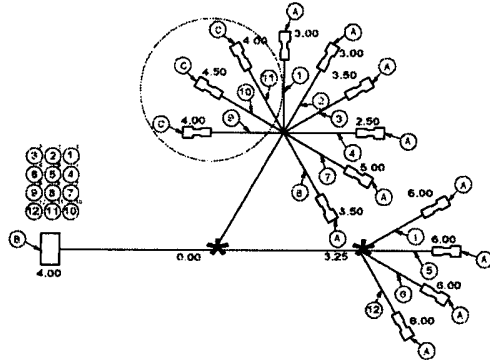


Item	Part No.	Name	Qty	Uom	NOTES
1	PE070406	VGSC486-4GQ/6G MODULE HARNESS	1	EA	
2	PE070800	IGNITOR SWITCH HARNESS - VGSC487-4K	1	EA	NO LONGER AVAILABLE, Not available online / Call for pricing and availability

SIMPLE HARNESSES 2

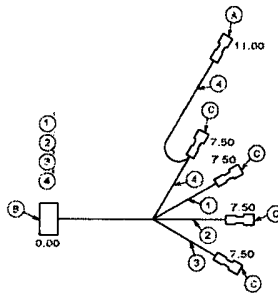
1

KEY	COLOR	SIZE	DESCRIPTION
1	BLACK	18	12 PIN TO L1 TO T4
2	WHITE	18	12 PIN TO NEUTRAL
3	YEL/RED	18	12 PIN TO LS1
4	WH/VIO	18	12 PIN TO LS2
5	WH/RED	18	12 PIN TO T3
6	YEL/ORG	18	12 PIN TO T2
7	RED/WH	18	12 PIN TO SEL
8	WH/BLK	18	12 PIN TO M1
9	YEL/GRN	18	12 PIN TO VC
10	RED/BLUE	18	12 PIN TO SENSOR 4
11	WH/GRN	18	12 PIN TO SENSOR 5
12	WH/ORG	18	12 PIN TO T1



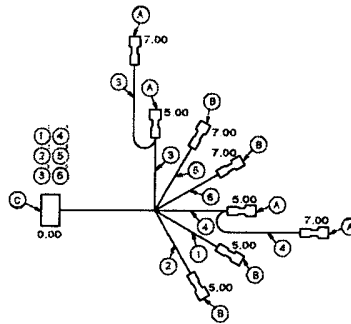
2

KEY	COLOR	SIZE	DESCRIPTION
1	RED/WH	18	4 PIN TO COIL
2	WHITE	18	4 PIN TO COIL
3	YEL/RED	18	4 PIN TO POS 7
4	YELLOW	18	4 PIN TO POS 4 TO AUTOREST #1



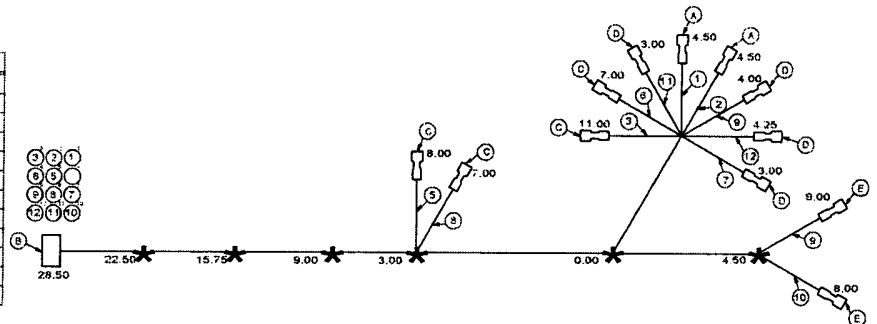
3

KEY	COLOR	SIZE	DESCRIPTION
1	RED/WH	18	6 PIN TO TRANSFORMER #2
2	WH/BLUE	18	6 PIN TO TRANSFORMER #2
3	WHITE	18	6 PIN TO TRANSFORMER #1 TO TRANSFORMER #2
4	RED/BLUE	18	6 PIN TO TRANSFORMER #1 TO TRANSFORMER #2
5	WH/BLUE	18	6 PIN TO TRANSFORMER #1
6	RED/WH	18	6 PIN TO TRANSFORMER #1



4

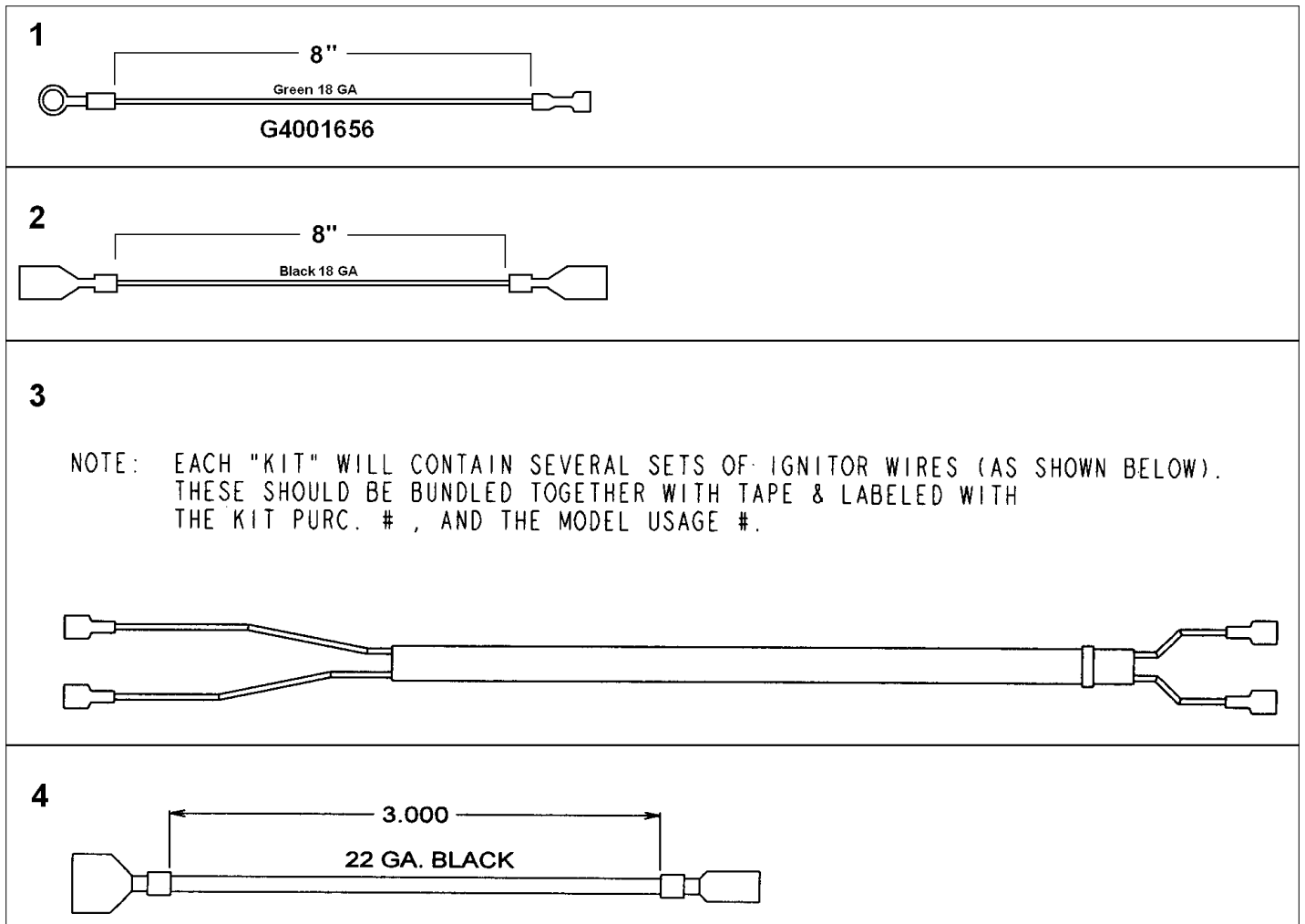
KEY	COLOR	SIZE	DESCRIPTION
1	BLACK	18	12 PIN TO HIGH LIMIT
2	BLACK	18	12 PIN TO HIGH LIMIT
3	BLACK	18	12 PIN TO FAN LIMIT
4			
5	WHITE	18	12 PIN TO LOCK MOTOR
6	WH/RED	18	12 PIN TO FAN LIMIT
7	YELLOW	18	12 PIN TO SWITCH #3
8	WH/BLK	18	12 PIN TO LOCK MOTOR
9	YEL/GRN	18	12 PIN TO SWITCH #2 TO SWITCH #1
10	RED/BLUE	18	12 PIN TO SWITCH #1
11	WH/GRN	18	12 PIN TO SWITCH #2
12	WH/ORG	18	12 PIN TO SWITCH #3





Item	Part No.	Name	Qty	Uom	NOTES
1	PE070390	TIMER BOARD HARNESS	1	EA	NO LONGER AVAILABLE, Not available online / Call for pricing and availability
2	PE070391	RELAY HARNESS	1	EA	NO LONGER AVAILABLE, Not available online / Call for pricing and availability
3	PE070392	TRANSFORMER HARNESS	1	EA	NO LONGER AVAILABLE, Not available online / Call for pricing and availability
4	PE070393	DOOR LOCK HARNESS	1	EA	NO LONGER AVAILABLE, Not available online / Call for pricing and availability

SIMPLE WIRING

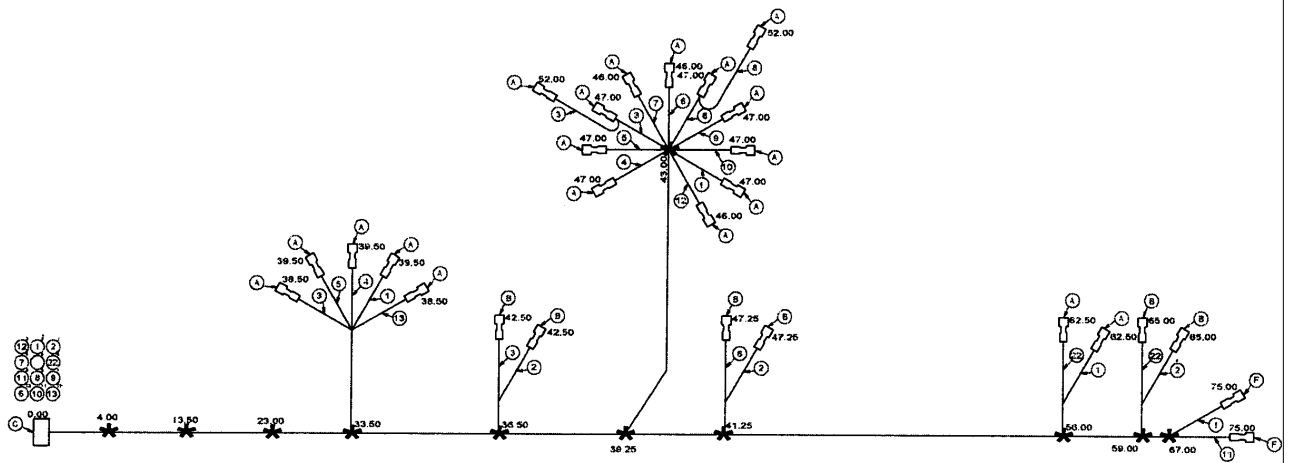




Item	Part No.	Name	Qty	Uom	NOTES
1	G4001656	SPARK MODULE GROUND WIRE	1	EA	
2	G4000935	BAKE/BROIL JUMPER WIRE - VGR/VCM	1	EA	
3	PE070789	IGNITOR WIRE KIT (VGSC487-4Q)	1	EA	
4	G40013897	PIGGYBACK JUMPER WIRE	1	EA	NO LONGER AVAILABLE

TOP HARNESS

1

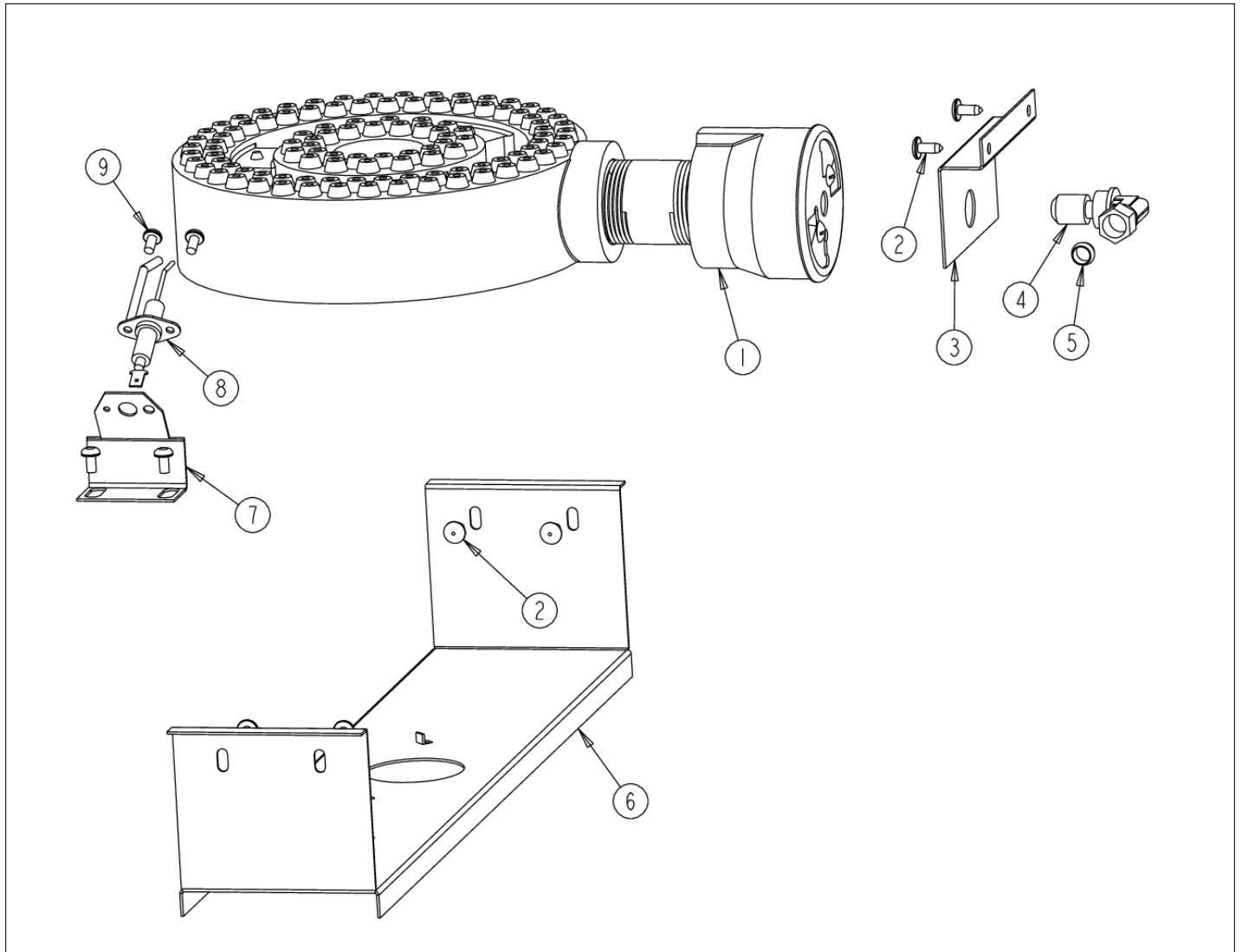


KEY	COLOR	SIZE	DESCRIPTION
1	BLACK	18	LIGHT SWITCH TO LH THERMOSTAT TO SELECTOR POS 5 TO THERMOSTAT POS 1 TO 12 PIN
2	WHITE	18	LH CYCLE LIGHT TO CLEAN LIGHT TO CYCLE LIGHT TO 12 PIN
3	WH/VIO	18	SEL POS 1 TO SEL POS 2 TO THERMOSTAT POS 2 TO CYCLE LIGHT
4	PURPLE	18	SEL POS 3 TO THERMOSTAT N.C.
5	WH/RED	18	SEL POS 4 TO THERMOSTAT N.C.
6	RED/WH	18	SEL POS 6 TO CLEAN LIGHT TO 12 PIN
7	WH/BLK	18	SEL POS 7 TO 12 PIN
8	RED	18	SEL POS 8 TO SEL POS 11 TO 12 PIN
9	YEL/RED	18	SEL POS 9 TO 12 PIN
10	YEL/ORG	18	SEL POS 10 TO 12 PIN
11	RED/BLU	18	LIGHT SWITCH TO 12 PIN
12	YEL/BLK	18	SEL POS 12 TO 12 PIN
13	YELLOW	18	THERMOSTAT COMMON TO 12 PIN
22	YELLOW	18	LH THERMOSTAT TO LH CYCLE LIGHT TO 12 PIN



Item	Part No.	Name	Qty	Uom	NOTES
1	PE070397	VGSC486-6Q TOP HARNESS	1	EA	

WOK SUBASSEMBLY





Item	Part No.	Name	Qty	Uom	NOTES
1	G3204100	WOK BURNER ASSY (24" WOK)	1	EA	
2	PD020002	10 X 1/2 PH.TR.HD.SMS.	1	EA	
3	A20014499	ORIFICE BRACKET	1	EA	
4	PB040239	ORIFICE FITTING #37 NAT	1	EA	
5	PB040049	3/8 *BR* FERRULE (FOR 3/8CC FEMALE)	1	EA	
6	A20014900	WOK BURNER SUPPORT	1	EA	NO LONGER AVAILABLE, Not available online / Call for pricing and availability
7	A2004105	SPARK IGNITOR BRKT (24" WOK)	1	EA	NO LONGER AVAILABLE, Not available online / Call for pricing and availability
8	PB040160	WOK IGNITER	1	EA	
9	PD020004	10X3/8PH.HD.TYPE 25 REPL PD040125	1	EA	



Appendix A:Pages Index

BURNER BOX EXTERIOR 1
BURNER BOX INTERIOR 2
CONTROL AREA 3
DRIP TRAY 4
FLUE AND BACK AREA 5
LH DOOR 6
LH OVEN LOWER AREA 7
LH OVEN MAIN CAVITY AREA 8
LH OVEN UPPER AREA 9
LOWER UNIT AND SIDE PANELS 10
REAR ELECTRONICS 11
REAR MAIN HARNESS 12
RH DOOR 13
RH OVEN LOWER AREA 14
RH OVEN MAIN CAVITY 15
RH OVEN UPPER AREA 16
SIMPLE HARNESSES 1 17
SIMPLE HARNESSES 2 18
SIMPLE WIRING 19
TOP HARNESS 20
WOK SUBASSEMBLY 21



Appendix B:Parts Index

000268-000	6, 13	A20014424	2
000594-000	6, 13	A20014436	2
000623-000	6, 13	A20014499	21
001394-042	2	A20014900	21
001394-043	2	A2002169	13
002569-000	3	A2002189	6, 13
003322-040	1	A2002367	13
003517-000	3	A2002482	10
003544-000	3	A2002497	13
006167-000	14	A2002498	6, 13
007147-000	3	A2002499	6, 13
008026-000	15	A2002500	10
009197-000	1	A2002501	10
018200-000	1	A2002539	2
019503-000	10	A2002544	2
031445-403	8	A2002545	2
050172-000	3	A2002595	15
068456-000	14, 15	A2004105	21
068457-000	7	A2004411	16
A1001138	3	A2004423	16
A1002456	11	A2004424	14
A1002492	2	A2004428	8, 15
A1002596	15	A2004429	7, 14
A1005571	7	A2004430	15
A1005678	9	A2004434	14
A1005686	5	A2004439	15
A1006344	2	A2004452	14
A20010137	14	A2004458	11
A20010139	7	A2004464	5
A20010693	4	A2004468	5
A20011243	2	A2004469	5
A20012192	13	A2004470	5
A20012913	16	A2004481	10
A20012914	16	A2005414	11
A20012922	7	A2005548	16
A20013307	2	A2005549	15
A20013315	16	A2005550	8
A20013316	7, 14	A2005560	9
A20013318	5, 9	A2005561	16
A20013319	2	A2005576	8, 9
		A2005577	8



A2005578	5	C90010180BK	10
A2005579	7	C90010180BT	10
A2005580	16	C90010180BU	10
A2005582	5	C90010180CB	10
A2005583	5	C90010180EP	10
A2005584	10	C90010180FG	10
A2005665	7	C90010180GG	10
A2005676	16	C90010180LE	10
A2005677	15	C90010180MJ	10
A2005685	5	C90010180SG	10
A2007858	1	C90010180VB	10
A2007942	6	C90010180WH	10
A2007943	13	C9001241AL	10
A2008467	15	C9001241BK	10
B20010152	4	C9001241BT	10
B20010179	10	C9001241BU	10
B20010180	10	C9001241CB	10
B2001241	10	C9001241EP	10
B20012923	1	C9001241FG	10
B20012924	1	C9001241GG	10
B2001448	16	C9001241LE	10
B2002504	6	C9001241MJ	10
B2002528	13	C9001241SG	10
B2004415	14	C9001241VB	10
B2005589	16	C9001241WH	10
B2005683	8	C9002504AL	6
B92014901	3	C9002504BK	6
C90010179AL	10	C9002504BT	6
C90010179BK	10	C9002504BU	6
C90010179BT	10	C9002504CB	6
C90010179BU	10	C9002504EP	6
C90010179CB	10	C9002504FG	6
C90010179EP	10	C9002504GG	6
C90010179FG	10	C9002504LE	6
C90010179GG	10	C9002504MJ	6
C90010179LE	10	C9002504SG	6
C90010179MJ	10	C9002504VB	6
C90010179SG	10	C9002504WH	6
C90010179VB	10	C9002528AL	13
C90010179WH	10	C9002528BK	13
C90010180AL	10	C9002528BT	13



C9002528BU	13	E9109804LE	1
C9002528CB	13	E9109804MJ	1
C9002528EP	13	E9109804SG	1
C9002528FG	13	E9109804VB	1
C9002528GG	13	E9109804WH	1
C9002528LE	13	G30010697	4
C9002528MJ	13	G30013336	4
C9002528SG	13	G3001876	16
C9002528VB	13	G3004414	5
C9002528WH	13	G3004444	5
C9005683AL	8	G3005680	5
C9005683BK	8	G3009843	3
C9005683BT	8	G3202549AL	13
C9005683BU	8	G3202549ALBR	13
C9005683CB	8	G3202549BK	13
C9005683EP	8	G3202549BKBR	13
C9005683FG	8	G3202549BT	13
C9005683GG	8	G3202549BTBR	13
C9005683LE	8	G3202549BU	13
C9005683MJ	8	G3202549BUBR	13
C9005683SG	8	G3202549CB	13
C9005683VB	8	G3202549CBBR	13
C9005683WH	8	G3202549EP	13
C93012923BR	1	G3202549EPBR	13
C93012924BR	1	G3202549FG	13
E20013325	5	G3202549FGBR	13
E2104427	7, 14	G3202549GG	13
E91014498	1	G3202549GGBR	13
E9102668	6	G3202549LE	13
E9104405	15	G3202549LEBR	13
E9105566	9	G3202549MJ	13
E9105572	8	G3202549MJBR	13
E9107933	15	G3202549SG	13
E9107934	15	G3202549SGBR	13
E9109804AL	1	G3202549SS	13
E9109804BK	1	G3202549SSBR	13
E9109804BT	1	G3202549VB	13
E9109804CB	1	G3202549VBBR	13
E9109804EP	1	G3202549WH	13
E9109804FG	1	G3202549WHBR	13
E9109804GG	1	G3204100	21



G3205588	8	G9105564	8
G3205671AL	6	G9105565	8
G3205671ALBR	6	G9105574	8
G3205671BK	6	G93011461PVD	4
G3205671BKBR	6	H9102507	6
G3205671BT	6	H9105672	6
G3205671BTBR	6	J1002506	6
G3205671BU	6	J1002594	13
G3205671BUBR	6	J2101749	4
G3205671CB	6	PA010012	3
G3205671CBBR	6	PA010039	3
G3205671EP	6	PA010040	3
G3205671EPBR	6	PA010080	3
G3205671FG	6	PA010081	3
G3205671FGBR	6	PA010100	1
G3205671GG	6	PA010139	11
G3205671GGBR	6	PA020035	11
G3205671LE	6	PA020045	3
G3205671LEBR	6	PA020048	11
G3205671MJ	6	PA050086	2
G3205671MJBR	6	PA060044	1
G3205671SG	6	PA060054	1
G3205671SGBR	6	PA060062	1
G3205671SS	6	PA060083	1
G3205671SSBR	6	PA070003	3
G3205671VB	6	PA080075	2
G3205671VBBR	6	PA080083	1
G3205671WH	6	PA080086	1
G3205671WHBR	6	PB010035	3
G4000935	19	PB010101	3
G40013897	19	PB010102	3
G4001656	19	PB010186	3
G4008493	2	PB010187	3
G91014498	1	PB010188	3
G9102521	15	PB010206	3
G9102745	13	PB010207	3
G9102747	13	PB010209	3
G9104440	16	PB020111	11
G9104453	15	PB020113	11
G9104482	15	PB020126	11
G9104491	15	PB020127	3, 11



PB020136	11	PD020006	4, 11
PB020192	2	PD020010	5
PB020193	2	PD020013	16
PB030004	1	PD020014	13
PB040027	16	PD020032	1, 6, 8, 10, 13
PB040040	16	PD020033	1, 3, 8, 15
PB040049	3, 21	PD020044	3, 11
PB040062	7	PD020053	11
PB040160	21	PD020060	2, 5, 7, 8, 9, 10, 11, 14, 15, 16
PB040170	7, 14	PD020067	8, 15
PB040171	16	PD020073	3, 8, 10, 15
PB040178	16	PD020076	2
PB040194	2	PD020079	4
PB040217	2	PD030005	3
PB040229	7	PD030006	6
PB040239	21	PD030018	7, 14, 16
PB040246	14	PD030029	10
PB040265	14	PD030031	8, 9
PB040273	7	PD030033	11
PB050063	1	PD030062	16
PB050065	7	PD030109	2
PB050080	7	PD030118	2
PB050081	1	PD030119	2
PB060030	8, 15	PD040004	4
PB060044	15	PD040028	4
PB060046	8	PE010030	6
PB070076	6, 13	PE010031	6
PB070079	5	PE010068	6
PB070140	2	PE010076	6
PB070145	13	PE030001PVD	6, 13
PB070146	3	PE030005	13
PC020003	8	PE030008	6
PC020009	15	PE030012PVD	13
PC030007	10	PE030014PVD	6
PC030017	10	PE050001	11
PD010003	11	PE050016	3
PD010006	10	PE050017	3
PD010012	3	PE050023	3
PD010019	6, 13	PE050024	3
PD020002	1, 2, 3, 5, 6, 11, 13, 15, 16, 21	PE050026	11
PD020004	16, 21	PE050053	16



PE050056 8, 15
PE050057 15
PE050059 16
PE050148 8, 15
PE050251 8, 15
PE060030 13
PE060031 13
PE060032 6
PE060039 13
PE060045 13
PE060046 6
PE060048 6
PE060049 6
PE060062 6
PE060064 13
PE070036 3
PE070148 11
PE070389 12
PE070390 18
PE070391 18
PE070392 18
PE070393 18
PE070397 20
PE070406 17
PE070789 19
PE070800 17
PJ030002 11
PJ030006 16
PJ030015 3
PK000007 4
PK000008 4
PM010029 11
PM010043 1
PM010044 1
Pe070468 11