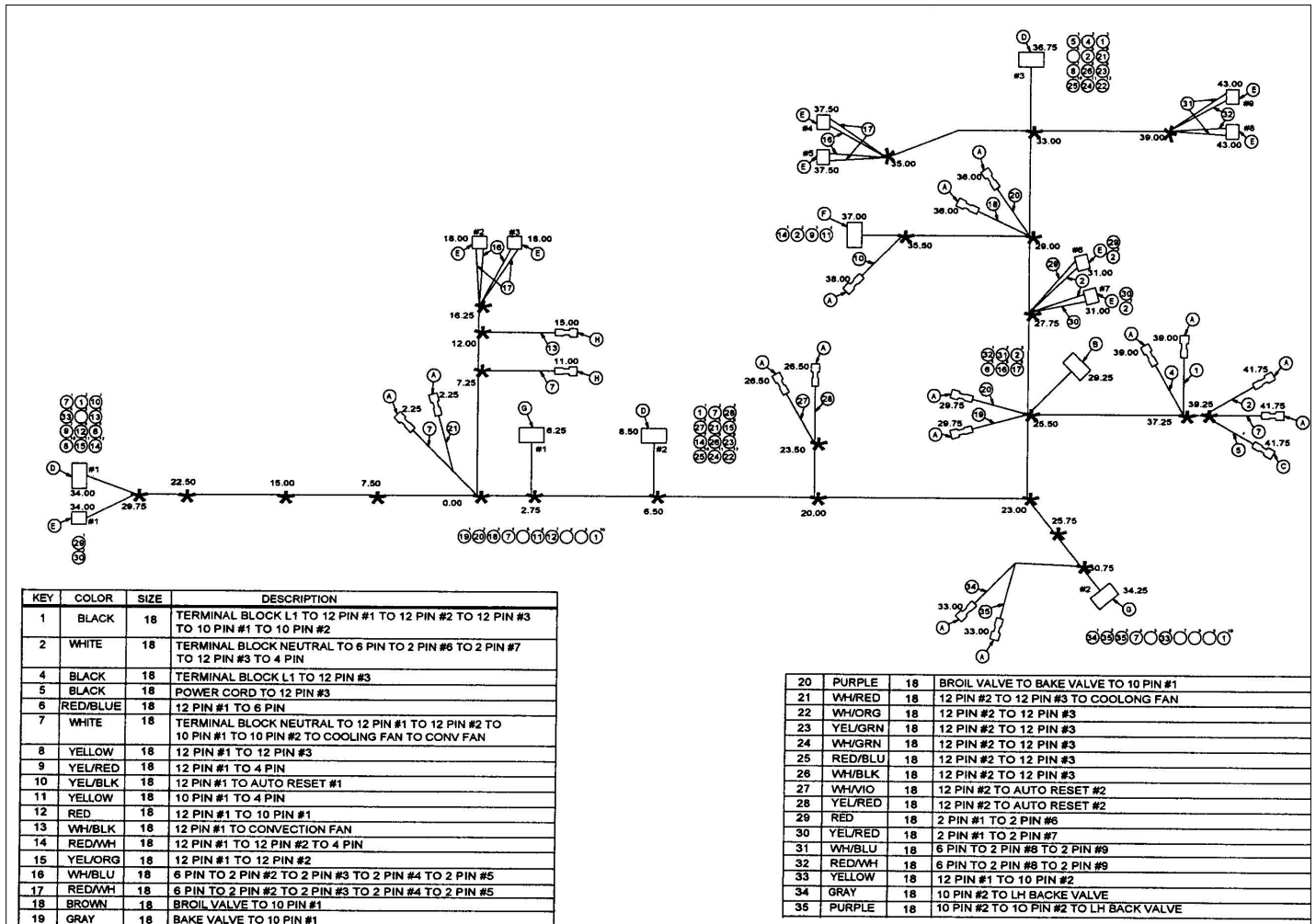


VGSC487-4GQ

VGSC487-4GQ REAR MAIN HARNESS	1
VGSC487-4GQ TOP HARNESS	2
VGSC487-4GQ SIMPLE HARNESSES2	3
VGSC487-4GQ SIMPLE HARNESSES1	4
VGSC487-4GQ SIMPLE WIRING	5
VGSC487-4GQ RH DOOR ASSEMBLY	6
VGSC487-4GQ LH DOOR ASSEMBLY	7
VGSC487-4GQ FLUE AND BACK AREA	8
VGSC487-4GQ REAR ELECTRONICS	9
VGSC487-4GQ LOWER UNIT AND SIDE PANELS	10
VGSC487-4GQ LH OVEN LOWER CAVITY	11
VGSC487-4GQ LH OVEN MAIN CAVITY AREA	12
VGSC487-4GQ LH OVEN UPPER AREA	13
VGSC487-4GQ RH OVEN LOWER CAVITY AREA	14
VGSC487-4GQ RH OVEN MAIN CAVITY	15
VGSC487-4GQ RH OVEN UPPER AREA	16
VGSC487-4GQ DRIP TRAY	17
VGSC487-4GQ GRIDDLE SUBASSEMBLY AREA	18
VGSC487-4GQ GRILL SUBASSEMBLY AREA	19
VGSC487-4GQ BURNER BOX INTERIOR AREA	20
VGSC487-4GQ BURNER BOX EXTERIOR AREA	21
VGSC487-4GQ CONTROL PANEL AREA	22
Appendix A:Pages Index	A
Appendix B:Parts Index	B



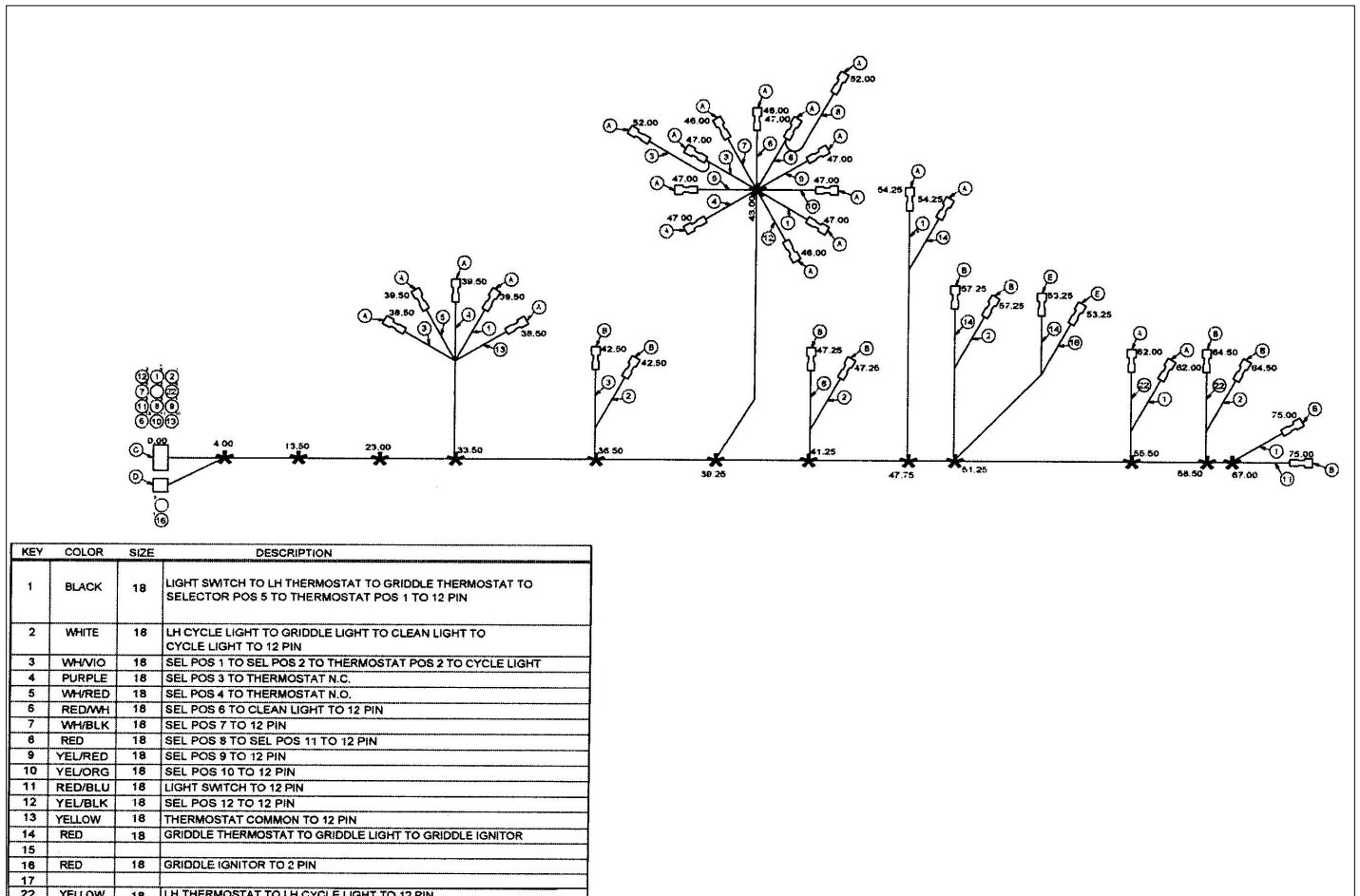
VGSC487-4GQ REAR MAIN HARNESS





Item	Part No.	Name	Qty	Uom	NOTES
1	PE070389	VGSC486 REAR MAIN HARNESS		EA	

VGSC487-4GQ TOP HARNESS



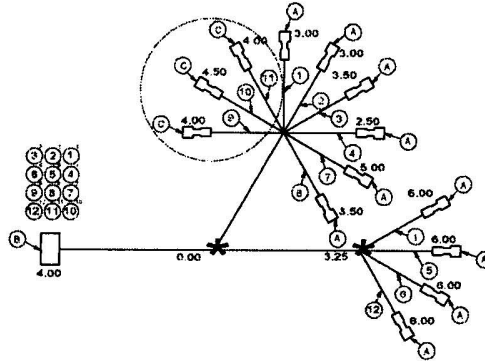


Item	Part No.	Name	Qty	Uom	NOTES
1	PE070394	VGSC486-4GQ TOP HARNESS		EA	NO LONGER AVAILABLE, Not available online / Call for pricing and availability

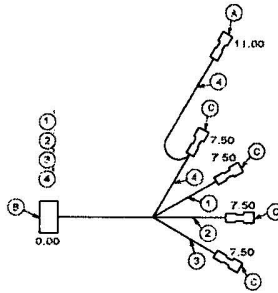
VGSC487-4GQ SIMPLE HARNESSSES2

1

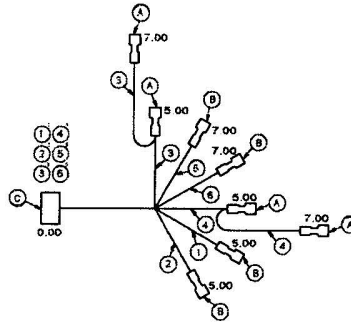
KEY	COLOR	SIZE	DESCRIPTION
1	BLACK	18	12 PIN TO L1 TO T4
2	WHITE	18	12 PIN TO NEUTRAL
3	YEL/RED	18	12 PIN TO LS1
4	WH/VIO	18	12 PIN TO LS2
5	WH/RED	18	12 PIN TO T3
8	YEL/ORG	18	12 PIN TO T2
7	RED/WH	18	12 PIN TO SEL
8	WH/BLK	18	12 PIN TO M1
9	YEL/GRN	18	12 PIN TO VC
10	RED/BLUE	18	12 PIN TO SENSOR 4
11	WH/GRN	18	12 PIN TO SENSOR 5
12	WH/ORG	18	12 PIN TO T1


2

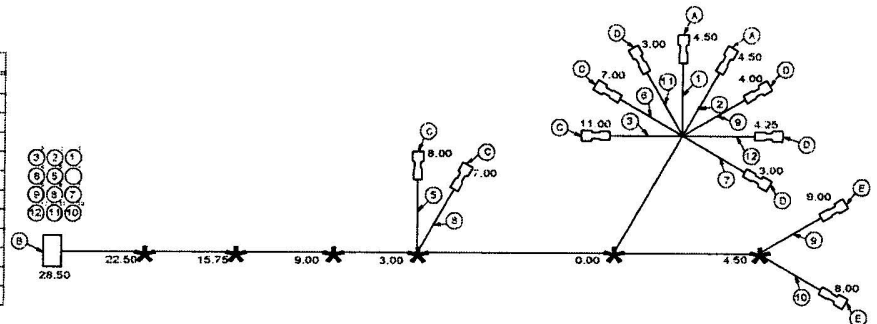
KEY	COLOR	SIZE	DESCRIPTION
1	RED/WH	18	4 PIN TO COIL
2	WHITE	18	4 PIN TO COIL
3	YEL/RED	18	4 PIN TO POS 7
4	YELLOW	18	4 PIN TO POS 4 TO AUTOREST #1


3

KEY	COLOR	SIZE	DESCRIPTION
1	RED/WH	18	6 PIN TO TRANSFORMER #2
2	WH/BLUE	18	6 PIN TO TRANSFORMER #2
3	WHITE	18	6 PIN TO TRANSFORMER #1 TO TRANSFORMER #2
4	RED/BLUE	18	6 PIN TO TRANSFORMER #1 TO TRANSFORMER #2
5	WH/BLUE	18	6 PIN TO TRANSFORMER #1
6	RED/WH	18	6 PIN TO TRANSFORMER #1


4

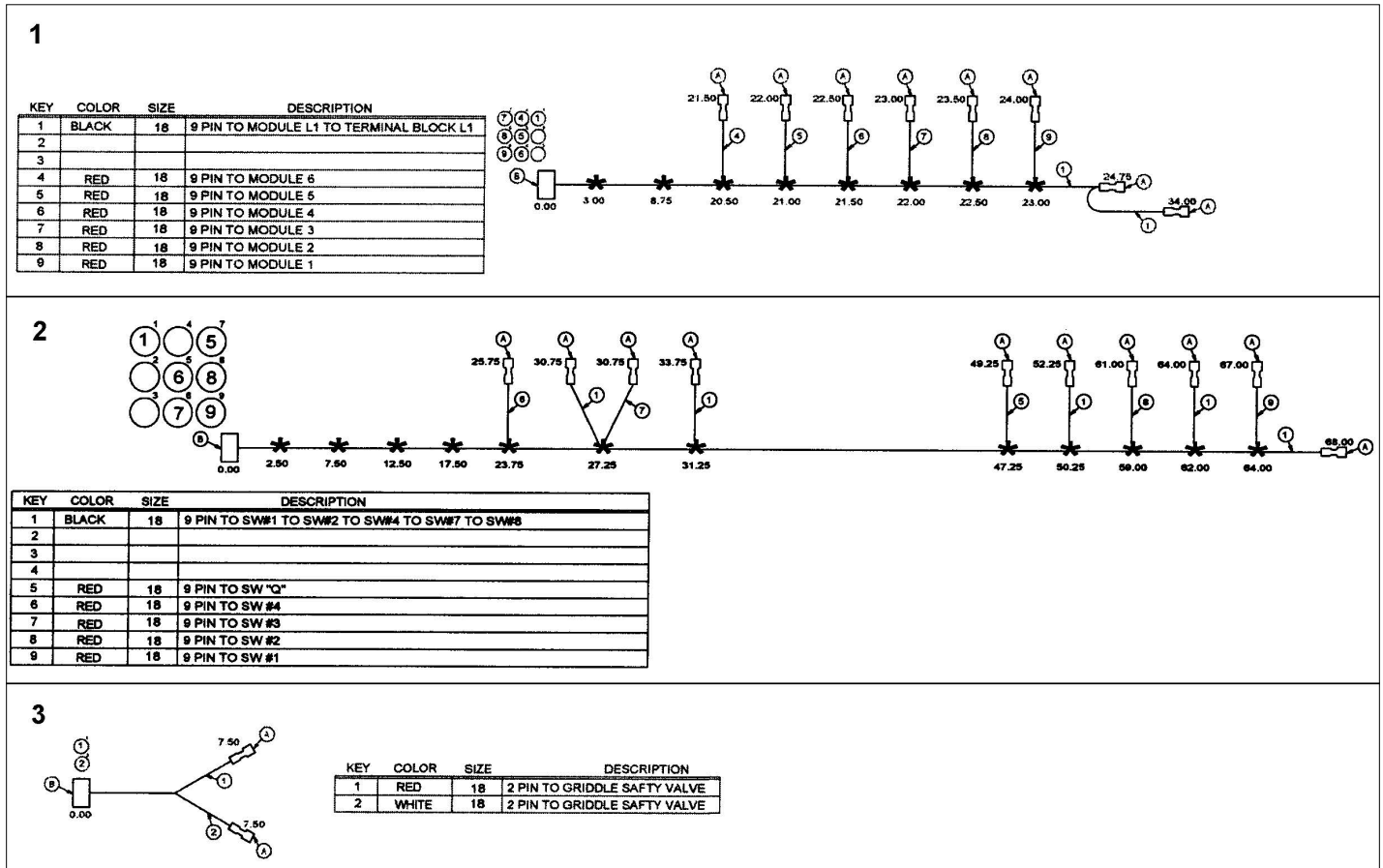
KEY	COLOR	SIZE	DESCRIPTION
1	BLACK	18	12 PIN TO HIGH LIMIT
2	BLACK	18	12 PIN TO HIGH LIMIT
3	BLACK	18	12 PIN TO FAN LIMIT
4			
5	WHITE	18	12 PIN TO LOCK MOTOR
6	WH/RED	18	12 PIN TO FAN LIMIT
7	YELLOW	18	12 PIN TO SWITCH #3
8	WH/BLK	18	12 PIN TO LOCK MOTOR
9	YEL/GRN	18	12 PIN TO SWITCH #2 TO SWITCH #1
10	RED/BLUE	18	12 PIN TO SWITCH #1
11	WH/GRN	18	12 PIN TO SWITCH #2
12	WH/ORG	18	12 PIN TO SWITCH #3





Item	Part No.	Name	Qty	Uom	NOTES
1	PE070390	TIMER BOARD HARNESS		EA	NO LONGER AVAILABLE, Not available online / Call for pricing and availability
2	PE070391	RELAY HARNESS		EA	NO LONGER AVAILABLE, Not available online / Call for pricing and availability
3	PE070392	TRANSFORMER HARNESS		EA	NO LONGER AVAILABLE, Not available online / Call for pricing and availability
4	PE070393	DOOR LOCK HARNESS		EA	NO LONGER AVAILABLE, Not available online / Call for pricing and availability

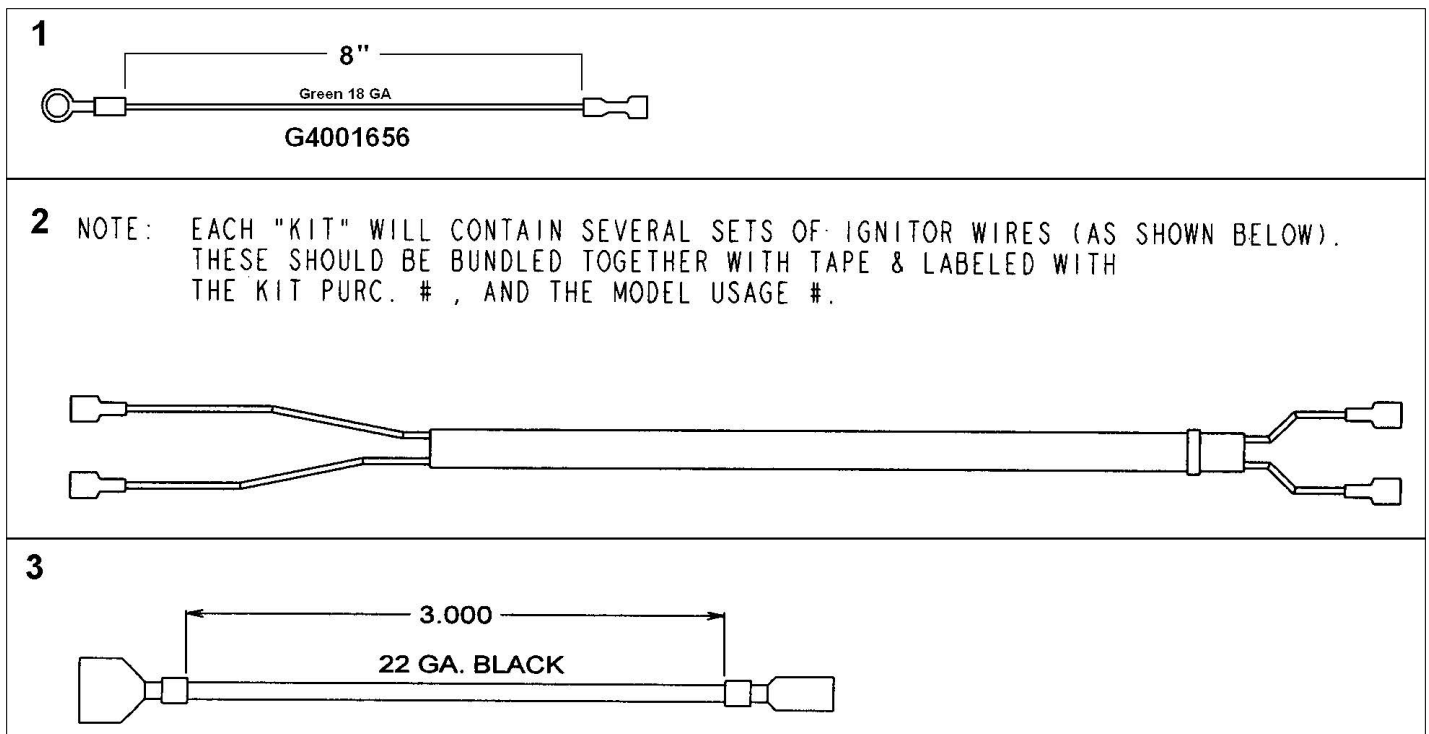
VGSC487-4GQ SIMPLE HARNESSES1





Item	Part No.	Name	Qty	Uom	NOTES
1	PE070406	VGSC486-4GQ/6G MODULE HARNESS		EA	
2	PE070792	IGNITOR WIRE HARNESS (VGSC487-4GQ)		EA	
3	PE070409	GRIDDLE HARNESS		EA	NO LONGER AVAILABLE, Not available online / Call for pricing and availability

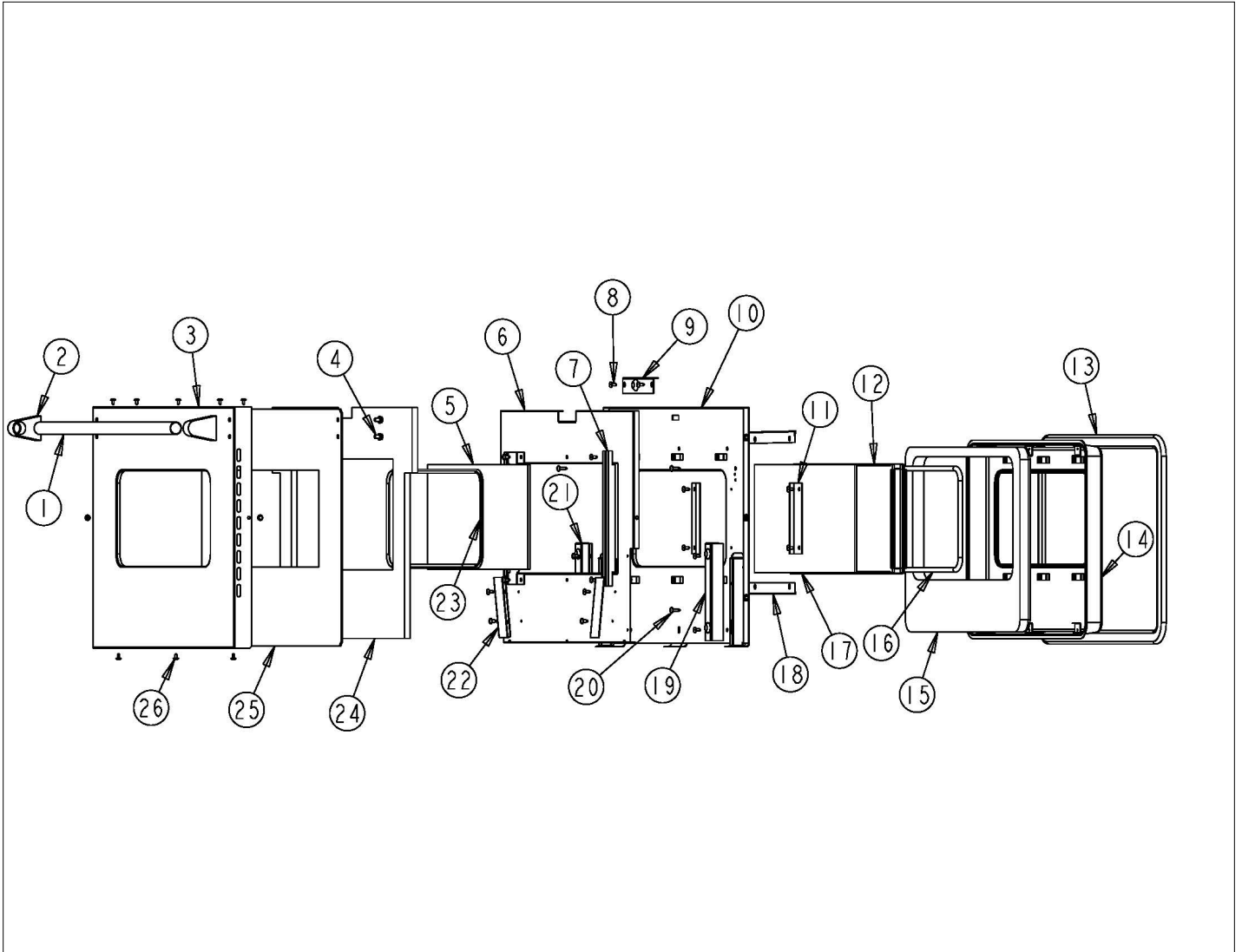
VGSC487-4GQ SIMPLE WIRING





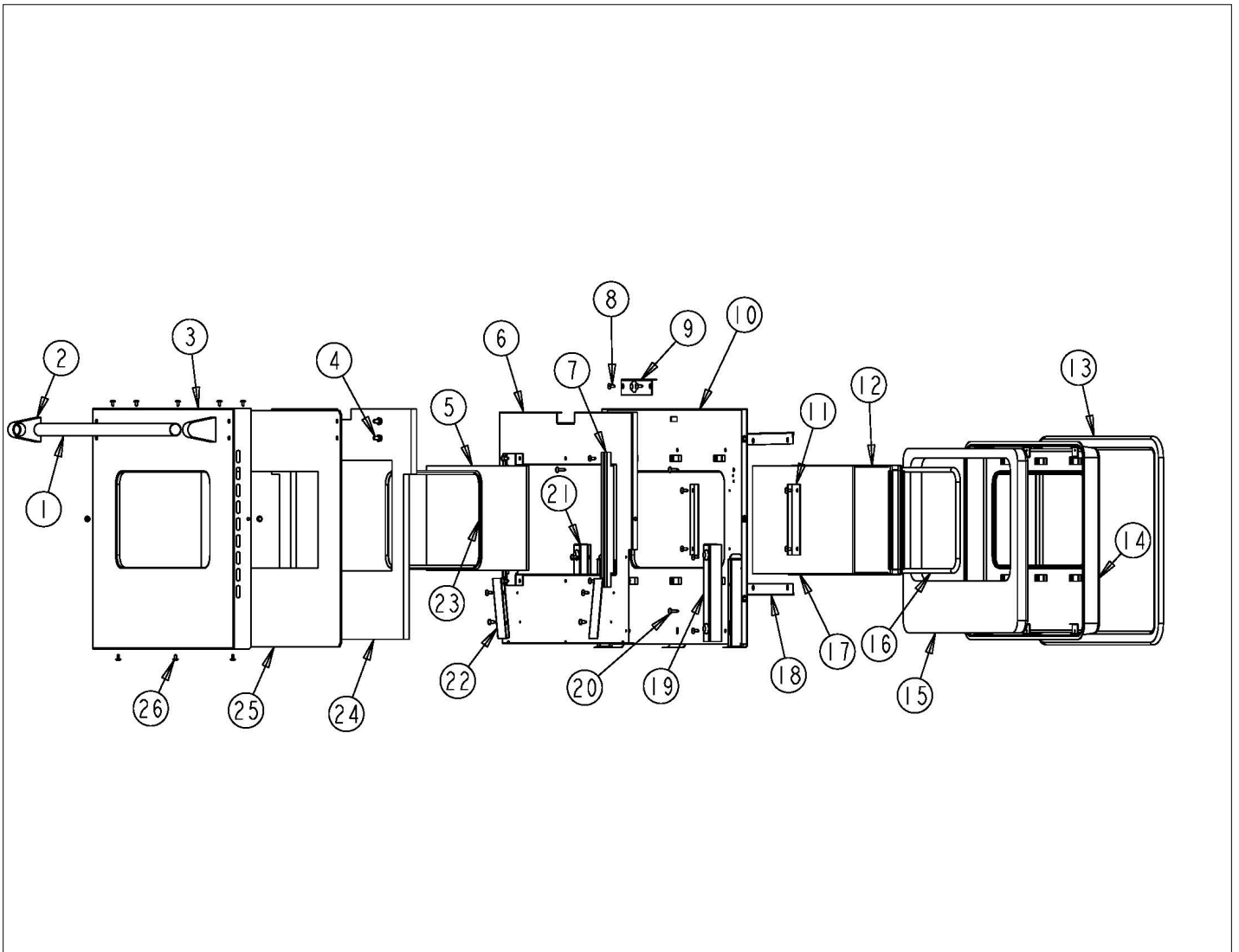
Item	Part No.	Name	Qty	Uom	NOTES
1	G4001656	SPARK MODULE GROUND WIRE		EA	
2	PE070666	IGNITOR WIRE KIT - VGSC486-4GQ		EA	
3	G40013897	PIGGYBACK JUMPER WIRE		EA	NO LONGER AVAILABLE

VGSC487-4GQ RH DOOR ASSEMBLY

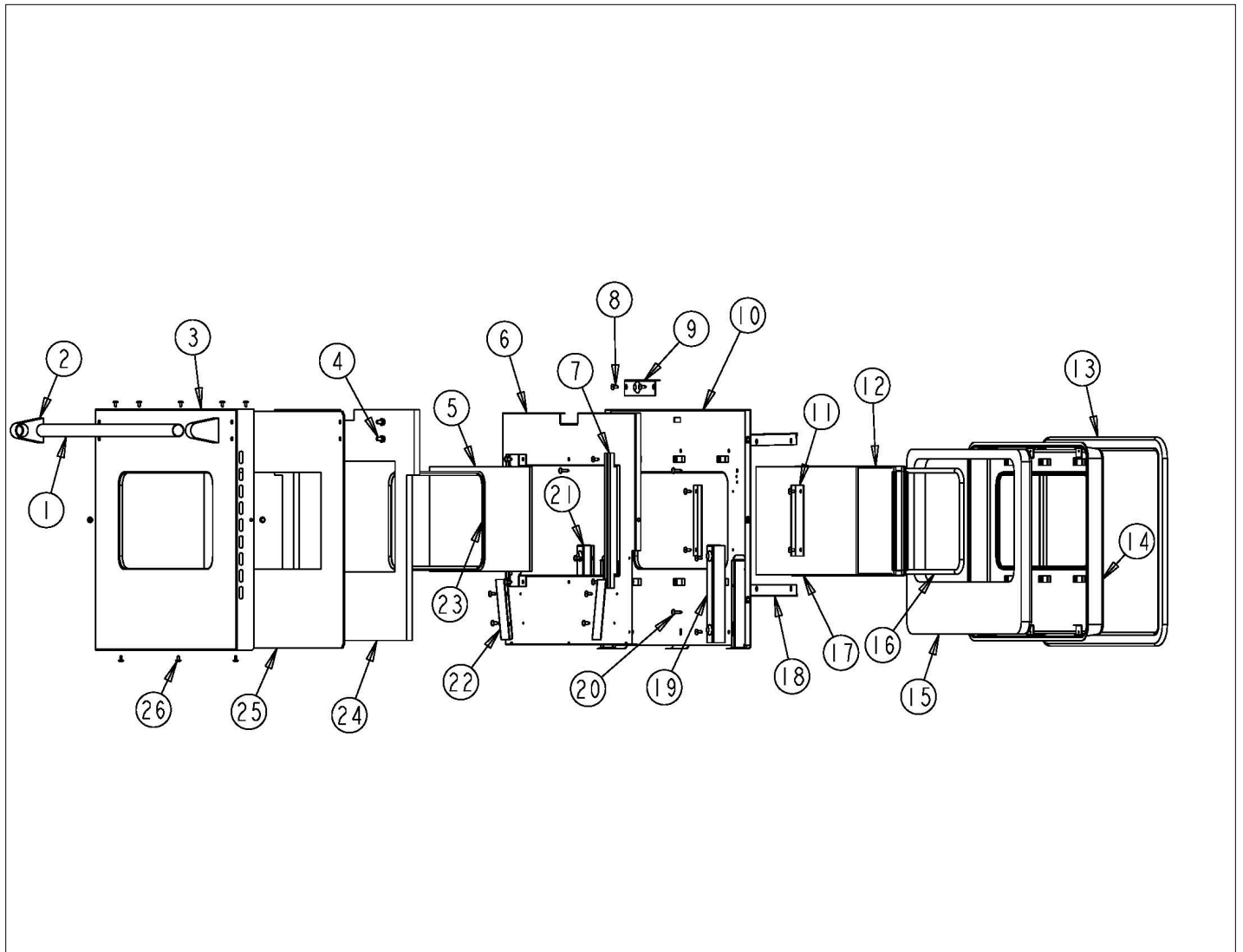




Item	Part No.	Name	Qty	Uom	NOTES
1	PE030005	DOOR HANDLE - VGSC30/RC60/RC48RH		EA	
Not Shown	PE030012PVD	DOOR HANDLE - RH - (30"/48") PVD		EA	
2	000268-000	HANDLE ENDCAP		EA	
Not Shown	PE030001PVD	END CAP DOOR HANDLE *BR		EA	
3	B2002528	O/S DOOR PANEL RH *SS* (VDSC48)		EA	
Not Shown	C9002528AL	O/S DOOR PANEL-RH *AL* (VDSC48)		EA	NO LONGER AVAILABLE
Not Shown	C9002528BK	O/S DOOR PANEL-RH *BK* (VDSC48)		EA	
Not Shown	C9002528BT	O/S DOOR PANEL-RH *BT* (VDSC48)		EA	NO LONGER AVAILABLE
Not Shown	C9002528BU	O/S DOOR PANEL-RH *BU* (VDSC48)		EA	
Not Shown	C9002528CB	O/S DOOR PANEL-RH *CB* (VDSC48)		EA	Not available online / Call for pricing and availability
Not Shown	C9002528EP	O/S DOOR PANEL-RH *EP* (VDSC48)		EA	NO LONGER AVAILABLE, Not available online / Call for pricing and availability
Not Shown	C9002528FG	O/S DOOR PANEL-RH *FG* (VDSC48)		EA	NO LONGER AVAILABLE, Not available online / Call for pricing and availability
Not Shown	C9002528GG	O/S DOOR PANEL-RH *GG* (VDSC48)		EA	Not available online / Call for pricing and availability
Not Shown	C9002528LE	O/S DOOR PANEL-RH *LE* (VDSC48)		EA	NO LONGER AVAILABLE
Not Shown	C9002528MJ	O/S DOOR PANEL-RH *MJ* (VDSC48)		EA	NO LONGER AVAILABLE, Not available online / Call for pricing and availability
Not Shown	C9002528SG	O/S DOOR PANEL-RH *SG* (VDSC48)		EA	Not available online / Call for pricing and availability

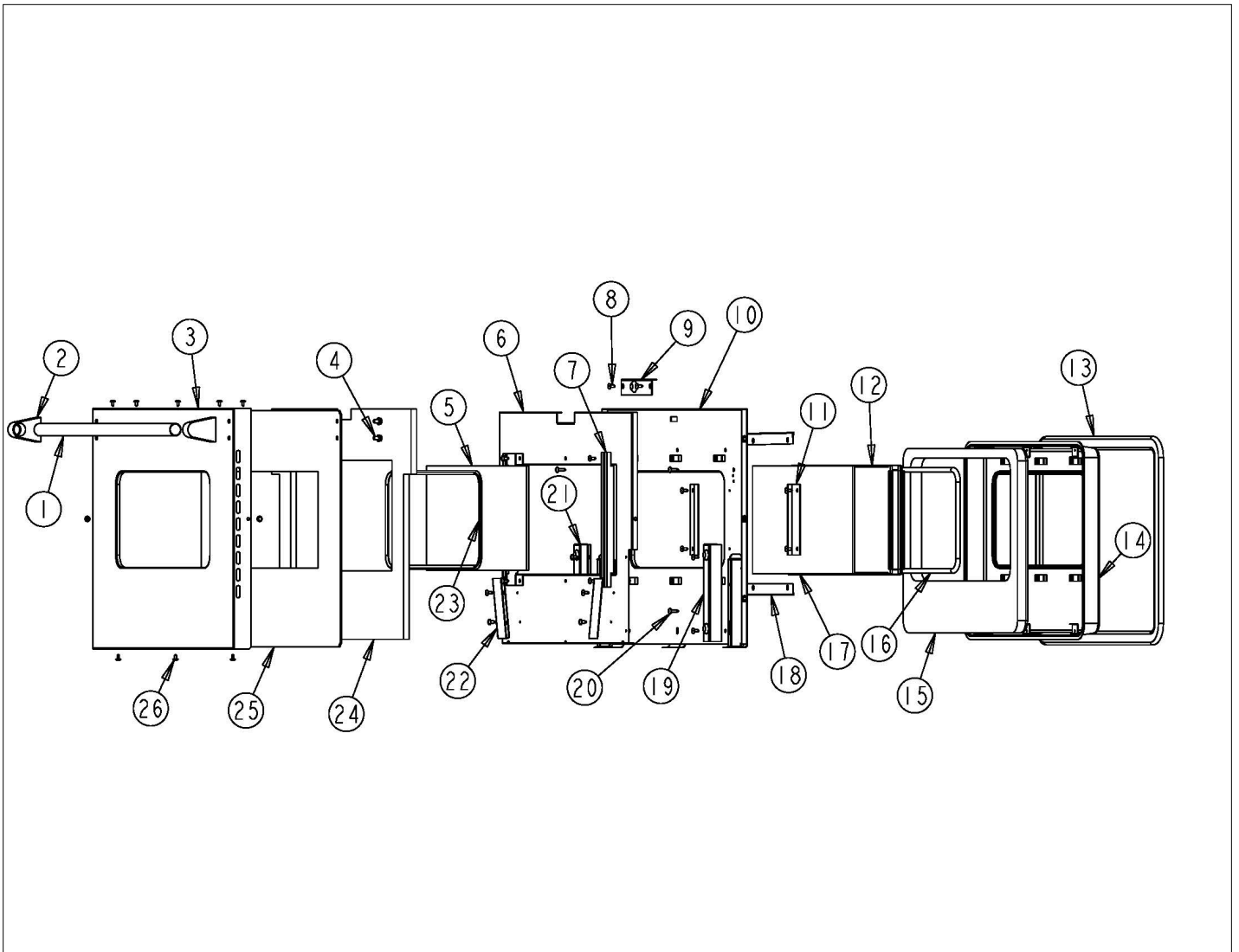


Item	Part No.	Name	Qty	Uom	NOTES
Not Shown	C9002528VB	O/S DOOR PANEL-RH *VB* (VDSC48)		EA	NO LONGER AVAILABLE, Not available online / Call for pricing and availability
Not Shown	C9002528WH	O/S DOOR PANEL-RH *WH* (VDSC48)		EA	NO LONGER AVAILABLE
4	PD010019	BLT-1/4-20X3/8"HEX WASHER SERATED		EA	
5	PE060030	OUTER DOOR GLASS		EA	
6	A2002169	DOOR INSULATION RETAINER (VDSC30)		EA	
7	A2002367	DOOR GLASS BRKT		EA	
8	PD020002	10 X 1/2 PH.TR.HD.SMS.		EA	
9	A20012192	DOOR LATCH COVER		EA	Not available online / Call for pricing and availability
10	G9102747	DR LINER ASY(VDSC30/48)REP H9102173		EA	
11	A2002189	DOOR GLASS STANDOFF (VDSC)		EA	
12	PE060064	WINDOW PACK, SELF CLEANING OVEN 30"		EA	
13	000623-000	DOOR GASKET(3/8"DIA.) (VDSC)		EA	
14	G9102745	DR PG ASSY VDSC30/48" RE H9102175 (Before 12/20/2012)		EA	
15	PB070076	WOOL INSULATION 1" X 21" X 3'		EA	
16	PB070150	FIBERGLASS ROPE, 3/8 DIA.		EA	
17	PE060039	GLASS-HEAT TREATED (HB2) VDSC		EA	
18	A2007943	GLASSPACK BRACKET, LARGE		EA	
19	A2002498	HINGE POCKET COVER RH		EA	
20	PD020014	10X3/4 PH TR HD SMS		EA	
21	A2002499	HINGE POCKET COVER LH		EA	
22	A2002497	DOOR GUIDE ANGLE VDSC		EA	
23	PE060031	J-MOLD (LARGE WINDOW)		EA	
Not Shown	PE060045	J-MOLD (LARGE WINDOW) *BR*		EA	
24	PB070145	SUPERWOOL 5" X 24" X 3'		EA	



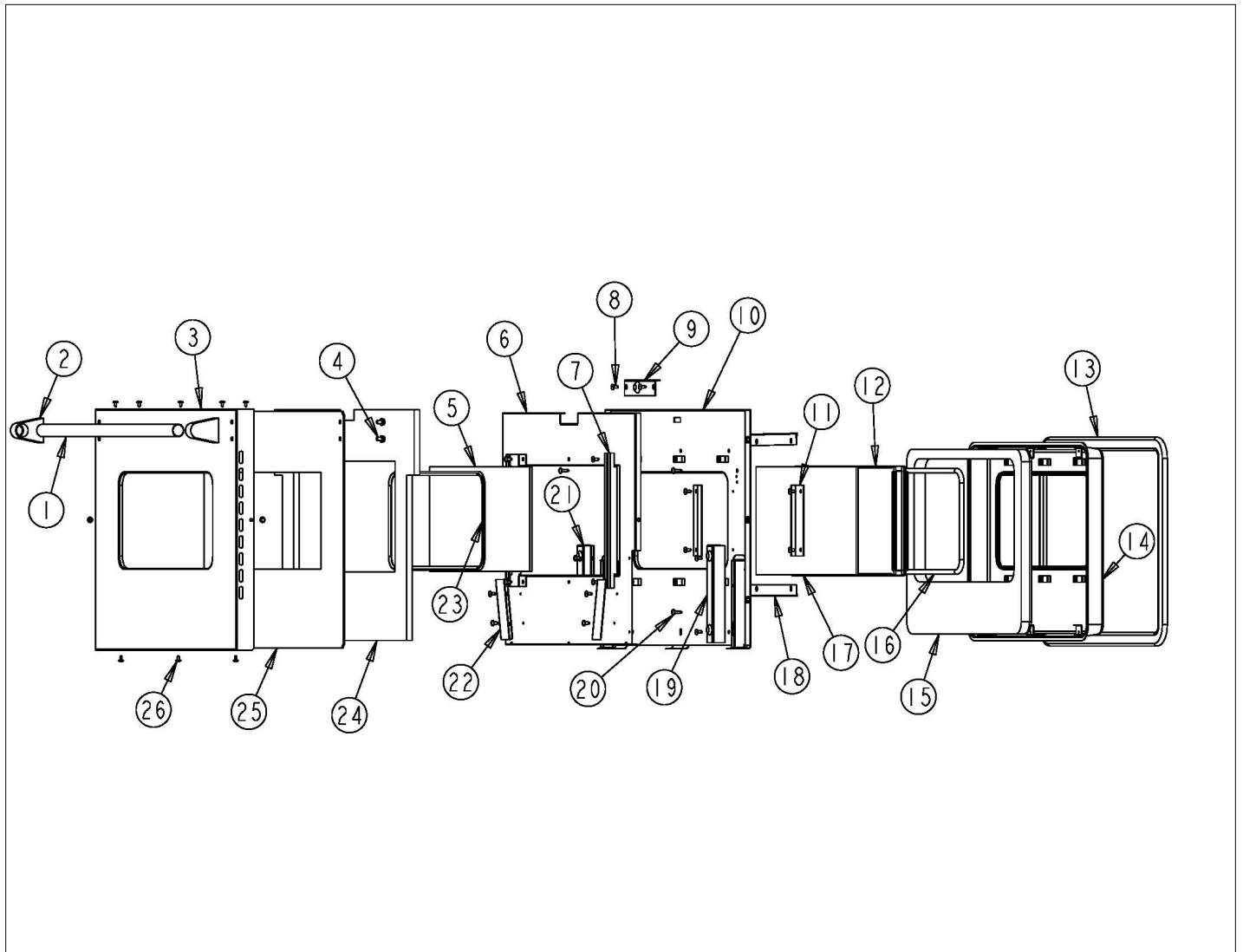


Item	Part No.	Name	Qty	Uom	NOTES
25	J1002594	OVEN DR HEAT SINK (VDSC30)		EA	
26	PD020032	SRW-8(A)X3/8"PH.WFR HD 7/16DIA*NICL		EA	
NI	G3202549AL	DOOR SUB-ASSY- RH *AL* (VDSC48)		EA	NO LONGER AVAILABLE, Not available online / Call for pricing and availability
Not Shown	G3202549ALBR	DOOR SUB-ASSY- RH *AL**BR* (VDSC48)		EA	NO LONGER AVAILABLE, Not available online / Call for pricing and availability
Not Shown	G3202549BK	DOOR SUB-ASSY- RH *BK* (VDSC48)		EA	Not available online / Call for pricing and availability
Not Shown	G3202549BKBR	DOOR SUB-ASSY- RH *BK**BR* (VDSC48)		EA	NO LONGER AVAILABLE
Not Shown	G3202549BT	DOOR SUB-ASSY-RH *BT* (VDSC48)		EA	NO LONGER AVAILABLE, Not available online / Call for pricing and availability
Not Shown	G3202549BTBR	COMPLETE DOOR ASSEMBLY - BTBR		EA	Not available online / Call for pricing and availability
Not Shown	G3202549BU	DOOR SUB-ASSY- RH *BU* (VDSC48)		EA	NO LONGER AVAILABLE
Not Shown	G3202549BUBR	DOOR SUB-ASSY- RH *BU**BR* (VDSC48)		EA	NO LONGER AVAILABLE, Not available online / Call for pricing and availability
Not Shown	G3202549CB	DOOR SUB-ASSY-RH *CB* (VDSC48)		EA	NO LONGER AVAILABLE, Not available online / Call for pricing and availability
Not Shown	G3202549CBBR	COMPLETE DOOR ASSEMBLY - CBBR		EA	Not available online / Call for pricing and availability
Not Shown	G3202549EP	DOOR SUB-ASSY- RH *EP* (VDSC48)		EA	NO LONGER AVAILABLE, Not available online / Call for pricing and availability





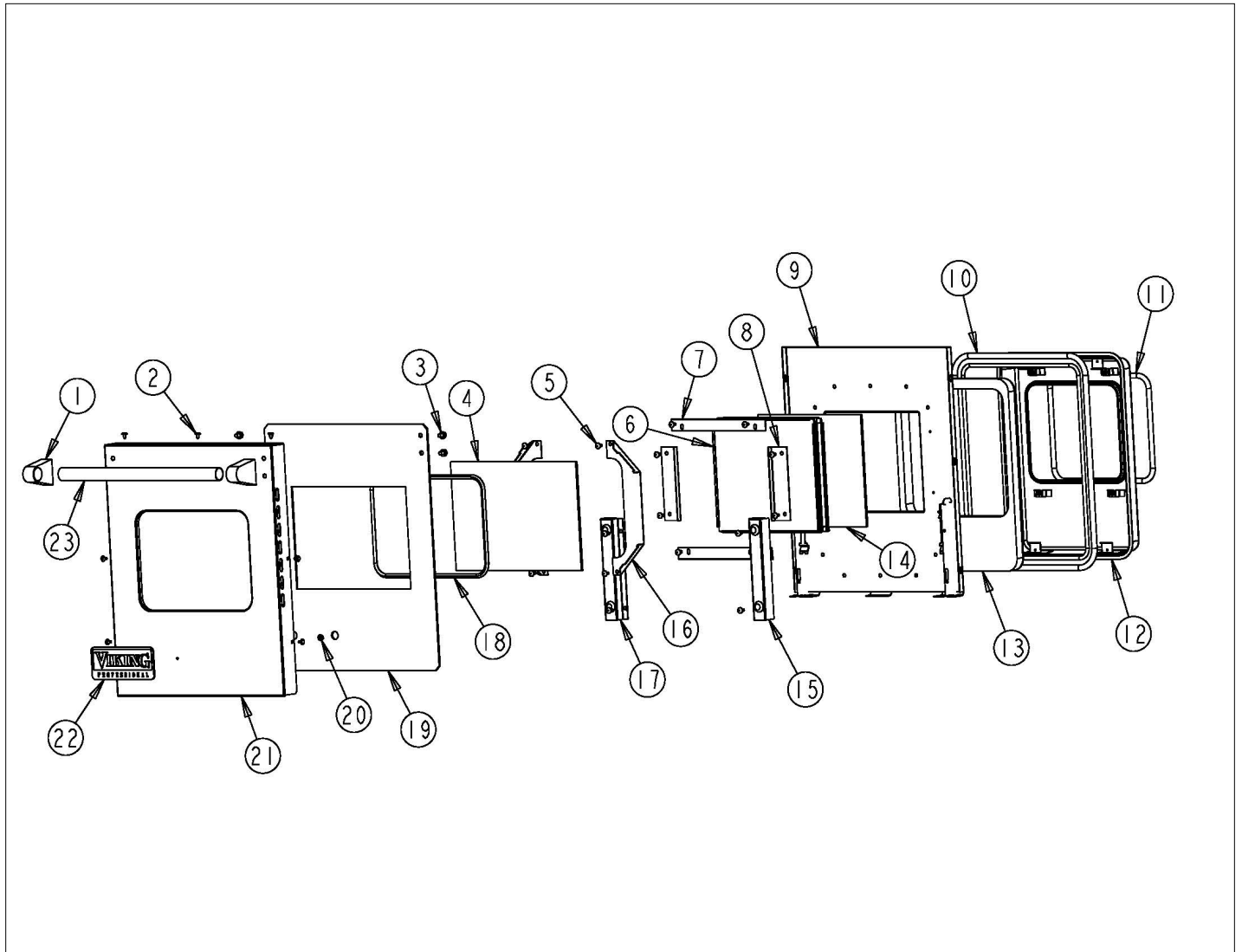
Item	Part No.	Name	Qty	Uom	NOTES
Not Shown	G3202549EPBR	COMPLETE DOOR ASSEMBLY - EPBR		EA	Not available online / Call for pricing and availability
Not Shown	G3202549FG	DOOR SUB-ASSY- RH *FG* (VDSC48)		EA	NO LONGER AVAILABLE, Not available online / Call for pricing and availability
Not Shown	G3202549FGBR	DOOR SUB-ASSY- RH *FG**BR* (VDSC48)		EA	NO LONGER AVAILABLE, Not available online / Call for pricing and availability
Not Shown	G3202549GG	DOOR SUB-ASSY-RH *GG* (VDSC48)		EA	NO LONGER AVAILABLE, Not available online / Call for pricing and availability
Not Shown	G3202549GGBR	DOOR SUB-ASSY- RH *GG*BR* (VDSC48)		EA	NO LONGER AVAILABLE, Not available online / Call for pricing and availability
Not Shown	G3202549LE	DOOR SUB-ASSY-RH *LE* (VDSC48)		EA	NO LONGER AVAILABLE, Not available online / Call for pricing and availability
Not Shown	G3202549LEBR	COMPLETE DOOR ASSEMBLY - LEBR		EA	Not available online / Call for pricing and availability
Not Shown	G3202549MJ	DOOR SUB-ASSY-RH *MJ* (VDSC48)		EA	NO LONGER AVAILABLE, Not available online / Call for pricing and availability
Not Shown	G3202549MJBR	COMPLETE DOOR ASSEMBLY - MJBR		EA	Not available online / Call for pricing and availability
Not Shown	G3202549SG	DOOR SUB-ASSY- RH *SG* (VDSC48)		EA	NO LONGER AVAILABLE
Not Shown	G3202549SGBR	COMPLETE DOOR ASSEMBLY - SGBR		EA	Not available online / Call for pricing and availability
Not Shown	G3202549SS	DOOR SUB-ASSY- RH *SS* (VDSC48)		EA	



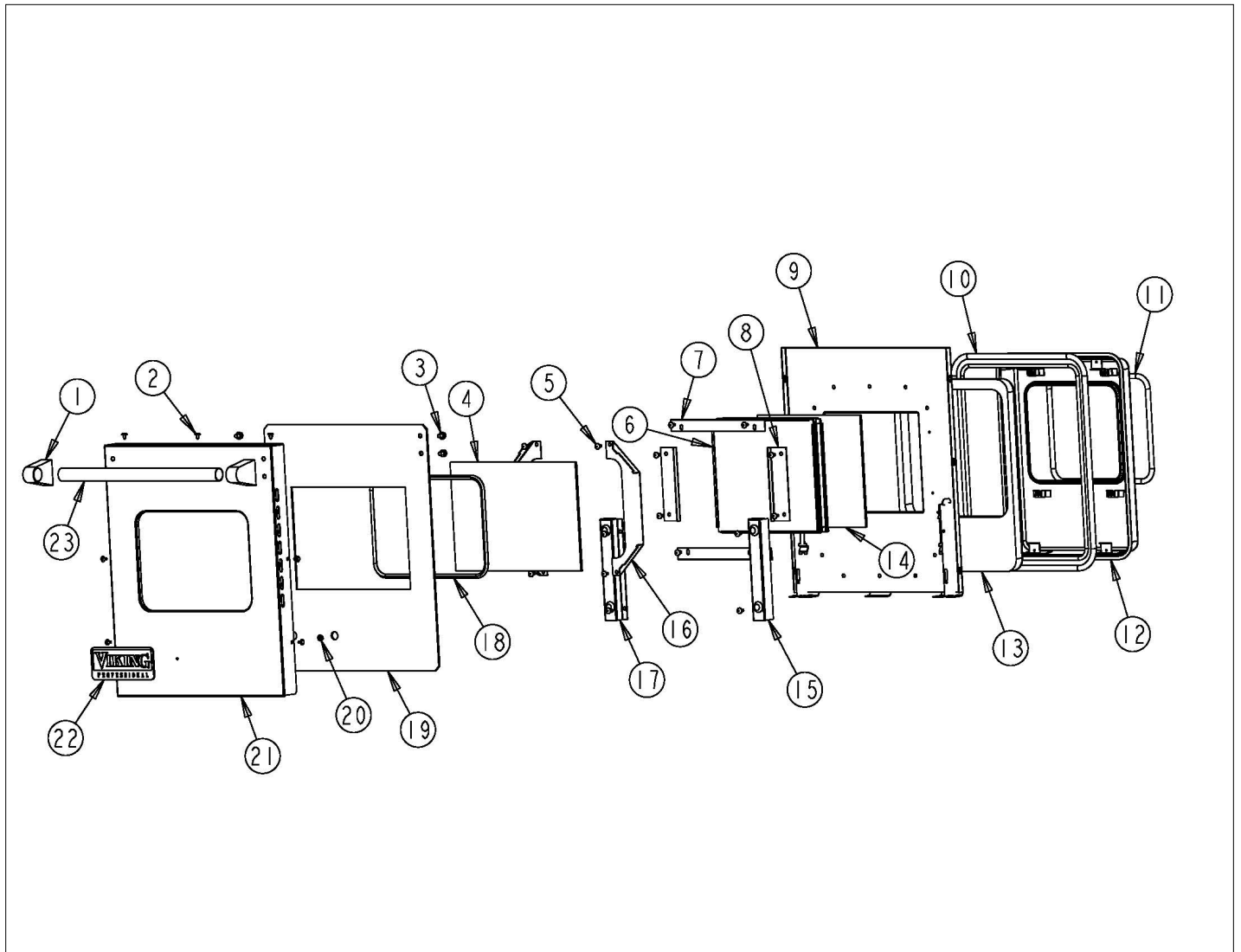


Item	Part No.	Name	Qty	Uom	NOTES
Not Shown	G3202549SSBR	DOOR SUB-ASSY- RH *SS**BR* (VDSC48)		EA	NO LONGER AVAILABLE, Not available online / Call for pricing and availability
Not Shown	G3202549VB	DOOR SUB-ASSY- RH *VB* (VDSC48)		EA	NO LONGER AVAILABLE, Not available online / Call for pricing and availability
Not Shown	G3202549VBBR	DOOR SUB-ASSY- RH *VB**BR* (VDSC48)		EA	NO LONGER AVAILABLE, Not available online / Call for pricing and availability
Not Shown	G3202549WH	DOOR SUB-ASSY- RH *WH* (VDSC48)		EA	NO LONGER AVAILABLE, Not available online / Call for pricing and availability
Not Shown	G3202549WHBR	DOOR SUB-ASSY- RH *WH**BR* (VDSC48)		EA	NO LONGER AVAILABLE, Not available online / Call for pricing and availability

VGSC487-4GQ LH DOOR ASSEMBLY

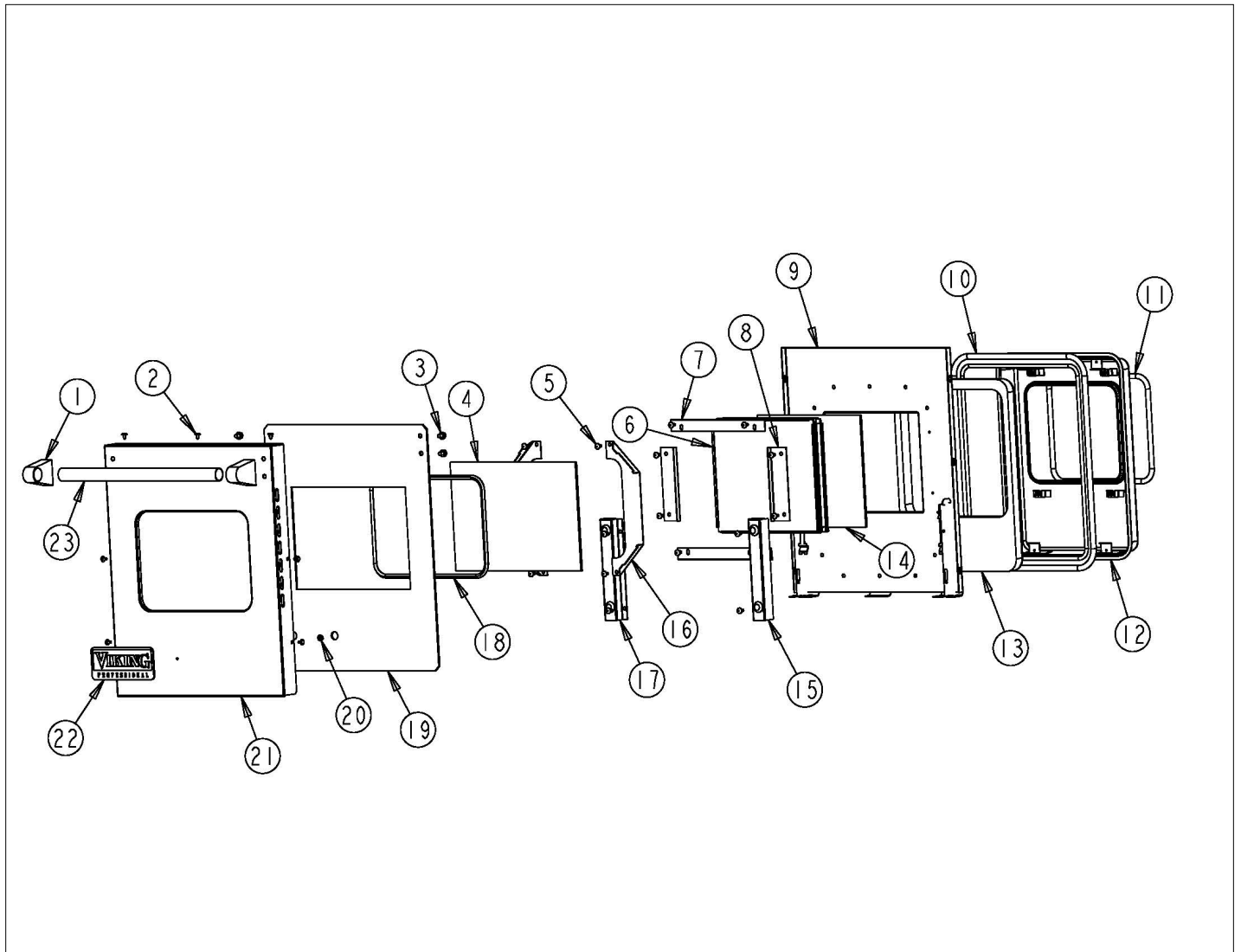


Item	Part No.	Name	Qty	Uom	NOTES
1	000268-000	HANDLE ENDCAP		EA	
Not Shown	PE030001PVD	END CAP DOOR HANDLE *BR		EA	
2	PD020032	SRW-8(A)X3/8"PH.WFR HD 7/16DIA*NICL		EA	
3	PD010019	BLT-1/4-20X3/8"HEX WASHER SERATED		EA	
4	PE060049	GLASS LH *TE* DF48DOOR		EA	
5	PD020002	10 X 1/2 PH.TR.HD.SMS.		EA	
6	PE060062	WINDOW PACK, SELF CLEANING OVEN		EA	
7	A2007942	GLASSPACK BRACKET, MEDIUM		EA	
8	A2002189	DOOR GLASS STANDOFF (VDSC)		EA	
9	H9105672	OVEN DR LINER ASSY LH (VGSC48)		EA	NO LONGER AVAILABLE
10	000623-000	DOOR GASKET(3/8"DIA.) (VDSC)		EA	
11	PB070150	FIBERGLASS ROPE, 3/8 DIA.		EA	
12	H9102507	DOOR PLUG ASSY LH (VDSC48)		EA	Not available online / Call for pricing and availability
13	PB070076	WOOL INSULATION 1" X 21" X 3'		EA	
14	PE060032	GLASS (HEAT BARRIER) LH DF48DOOR		EA	
15	A2002498	HINGE POCKET COVER RH		EA	
16	E9102668	WINDOW BRKT (O/S DOOR GLASS)		EA	Not available online / Call for pricing and availability
17	A2002499	HINGE POCKET COVER LH		EA	
18	PE060046	J-MOLD LH SS (DF48 DOOR)		EA	
Not Shown	PE060048	J-MOLD LH *BR* (DF48 DOOR)		EA	NO LONGER AVAILABLE
19	J1002506	OVEN DR HEAT SINK LH (VDSC48)		EA	
20	PD030006	CAPPED WASHER PAL NUT		EA	
21	B2002504	O/S DOOR PANEL LH *SS* (VDSC48)		EA	

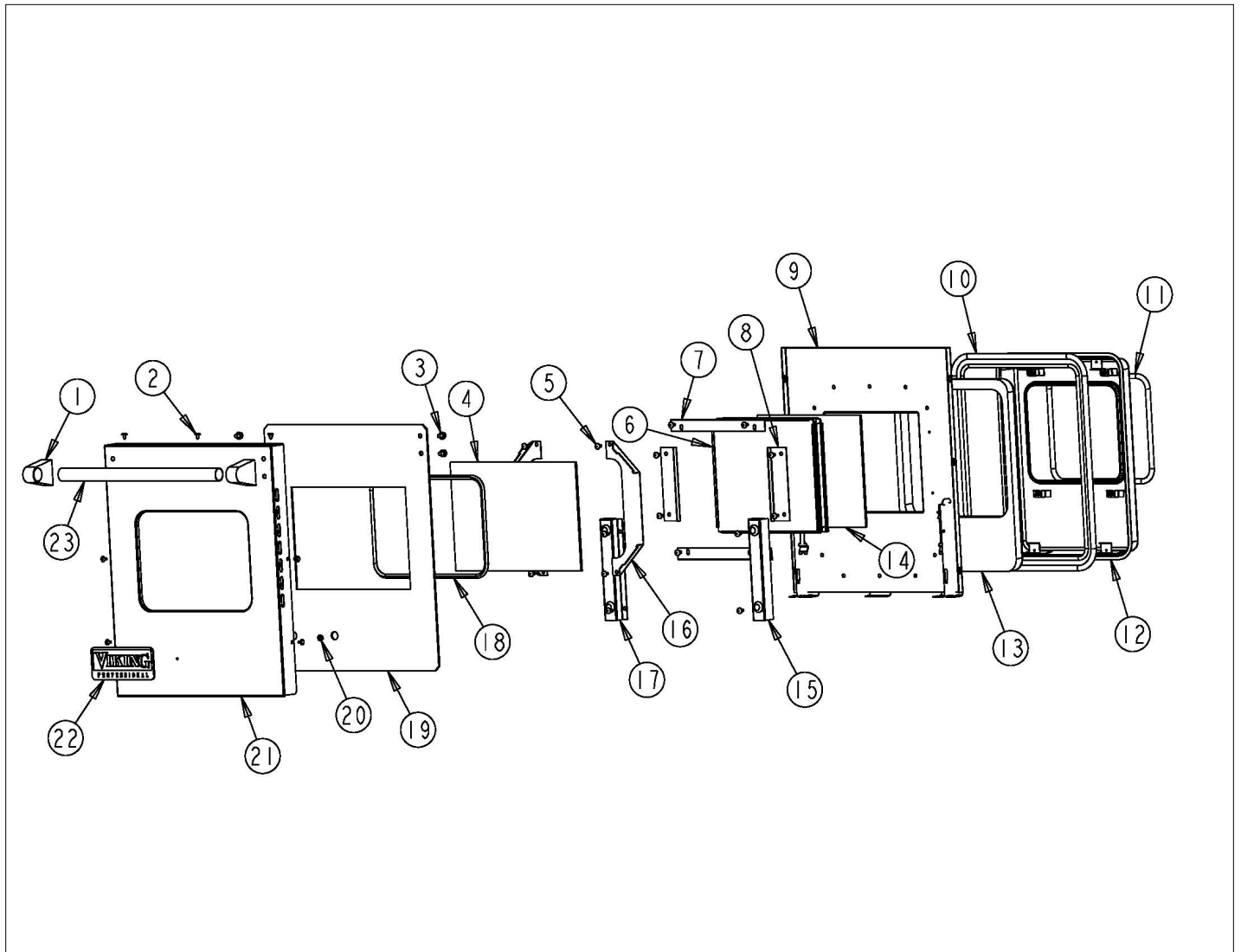




Item	Part No.	Name	Qty	Uom	NOTES
Not Shown	C9002504AL	O/S DOOR PANEL-LH *AL* (VDSC48)		EA	NO LONGER AVAILABLE, Not available online / Call for pricing and availability
Not Shown	C9002504BK	O/S DOOR PANEL-LH *BK* (VDSC48)		EA	
Not Shown	C9002504BT	O/S DOOR PANEL-LH *BT* (VDSC48)		EA	NO LONGER AVAILABLE
Not Shown	C9002504BU	O/S DOOR PANEL-LH *BU* (VDSC48)		EA	
Not Shown	C9002504CB	O/S DOOR PANEL-LH *CB* (VDSC48)		EA	NO LONGER AVAILABLE
Not Shown	C9002504EP	O/S DOOR PANEL-LH *EP* (VDSC48)		EA	NO LONGER AVAILABLE, Not available online / Call for pricing and availability
Not Shown	C9002504FG	O/S DOOR PANEL-LH *FG* (VDSC48)		EA	NO LONGER AVAILABLE, Not available online / Call for pricing and availability
Not Shown	C9002504GG	O/S DOOR PANEL-LH *GG* (VDSC48)		EA	
Not Shown	C9002504LE	O/S DOOR PANEL-LH *LE* (VDSC48)		EA	NO LONGER AVAILABLE
Not Shown	C9002504MJ	O/S DOOR PANEL-LH *MJ* (VDSC48)		EA	NO LONGER AVAILABLE, Not available online / Call for pricing and availability
Not Shown	C9002504SG	O/S DOOR PANEL-SG *SG* (VDSC48)		EA	Not available online / Call for pricing and availability
Not Shown	C9002504VB	O/S DOOR PANEL-LH*VB* (VDSC48)		EA	NO LONGER AVAILABLE, Not available online / Call for pricing and availability
Not Shown	C9002504WH	O/S DOOR PANEL-LH *WH* (VDSC48)		EA	
22	PE010030	LOGO		EA	
Not Shown	PE010031	LOGO 6" (VGRC) *BK/WH*		EA	NO LONGER AVAILABLE
Not Shown	PE010068	LOGO 6" (VGRC) BK/BR		EA	

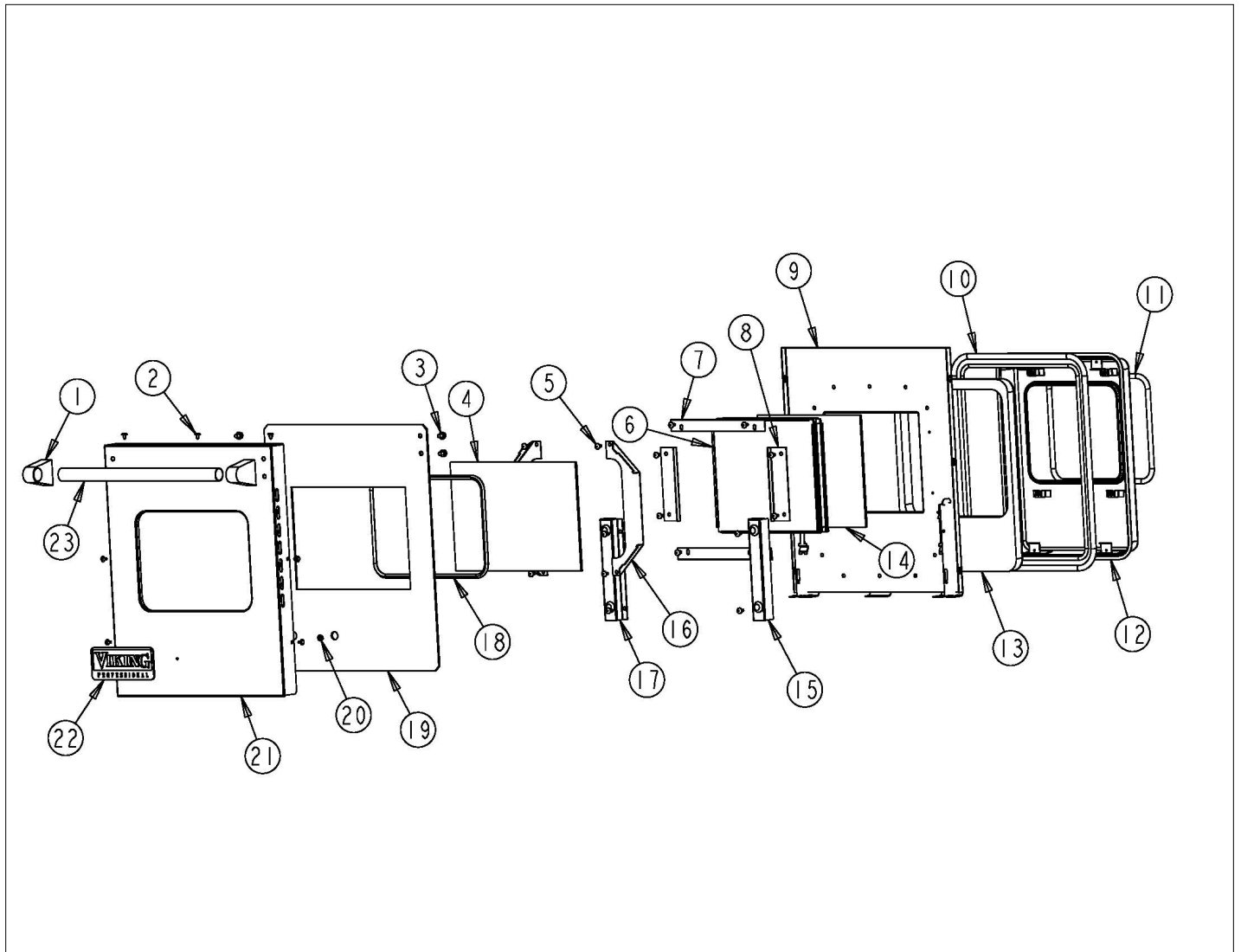


Item	Part No.	Name	Qty	Uom	NOTES
Not Shown	PE010076	LOGO 6" (VGRC) *BR/WH*		EA	NO LONGER AVAILABLE
23	PE030008	DOOR HANDLE - LH 48VGRC		EA	
Not Shown	PE030014PVD	DOOR HANDLE - LH - (48") PVD		EA	
NI	G3205671AL	DOOR ASSY *AL* (VGSC486 LH)		EA	NO LONGER AVAILABLE
Not Shown	G3205671ALBR	COMPLETE DOOR ASSY - ALBR		EA	Not available online / Call for pricing and availability
Not Shown	G3205671BK	DOOR ASSY *BK* VGSC486 LH		EA	NO LONGER AVAILABLE, Not available online / Call for pricing and availability
Not Shown	G3205671BKBR	COMPLETE DOOR ASSY - BKBR		EA	Not available online / Call for pricing and availability
Not Shown	G3205671BT	DOOR ASSY *BT* VGSC486 LH		EA	NO LONGER AVAILABLE, Not available online / Call for pricing and availability
Not Shown	G3205671BTBR	COMPLETE DOOR ASSY - BTBR		EA	Not available online / Call for pricing and availability
Not Shown	G3205671BU	DOOR ASSY *BU* VGSC486 LH		EA	NO LONGER AVAILABLE, Not available online / Call for pricing and availability
Not Shown	G3205671BUBR	COMPLETE DOOR ASSY - BUBR		EA	Not available online / Call for pricing and availability
Not Shown	G3205671CB	DOOR ASSY *CB* (VGSC486 LH)		EA	NO LONGER AVAILABLE, Not available online / Call for pricing and availability
Not Shown	G3205671CBBR	COMPLETE DOOR ASSY - CBBR		EA	Not available online / Call for pricing and availability
Not Shown	G3205671EP	DOOR ASSY *EP* (VGSC486 LH)		EA	NO LONGER AVAILABLE, Not available online / Call for pricing and availability





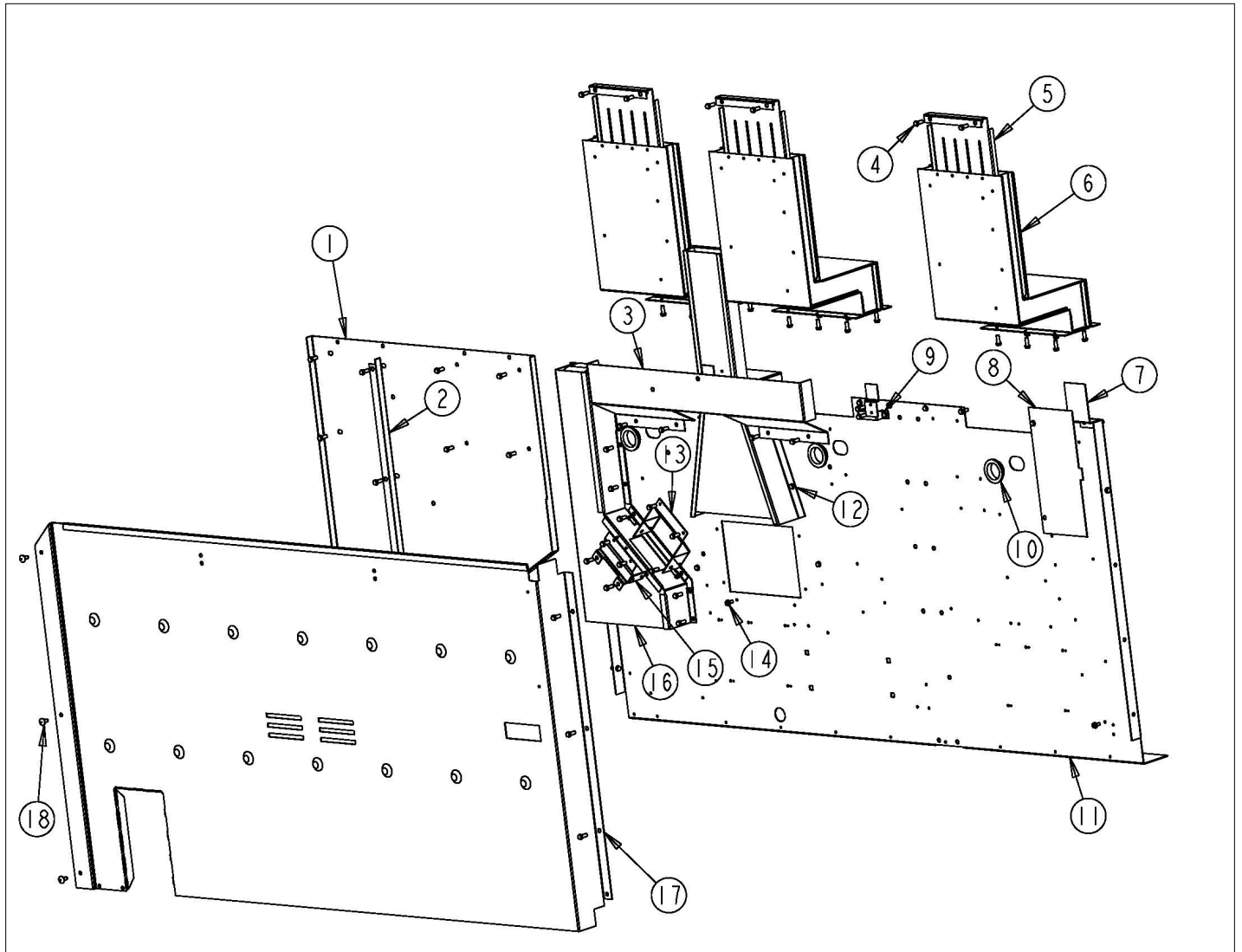
Item	Part No.	Name	Qty	Uom	NOTES
Not Shown	G3205671EPBR	COMPLETE DOOR ASSY - EPBR		EA	Not available online / Call for pricing and availability
Not Shown	G3205671FG	DOOR ASSY *FG* (VGSC486 LH)		EA	NO LONGER AVAILABLE, Not available online / Call for pricing and availability
Not Shown	G3205671FGBR	COMPLETE DOOR ASSY - FGBR		EA	Not available online / Call for pricing and availability
Not Shown	G3205671GG	DOOR ASSY *GG* (VGSC486 LH)		EA	NO LONGER AVAILABLE, Not available online / Call for pricing and availability
Not Shown	G3205671GGBR	COMPLETE DOOR ASSY - GGBR		EA	Not available online / Call for pricing and availability
Not Shown	G3205671LE	DOOR ASSY *LE* (VGSC486 LH)		EA	NO LONGER AVAILABLE, Not available online / Call for pricing and availability
Not Shown	G3205671LEBR	COMPLETE DOOR ASSY - LEBR		EA	Not available online / Call for pricing and availability
Not Shown	G3205671MJ	DOOR ASSY *MJ* (VGSC486 LH)		EA	NO LONGER AVAILABLE, Not available online / Call for pricing and availability
Not Shown	G3205671MJBR	COMPLETE DOOR ASSY - MJBR		EA	Not available online / Call for pricing and availability
Not Shown	G3205671SG	DOOR ASSY *SG* (VGSC486 LH)		EA	NO LONGER AVAILABLE, Not available online / Call for pricing and availability
Not Shown	G3205671SGBR	COMPLETE DOOR ASSY - SGBR		EA	Not available online / Call for pricing and availability
Not Shown	G3205671SS	DOOR ASSY *SS* (VGSC486 LH)		EA	NO LONGER AVAILABLE





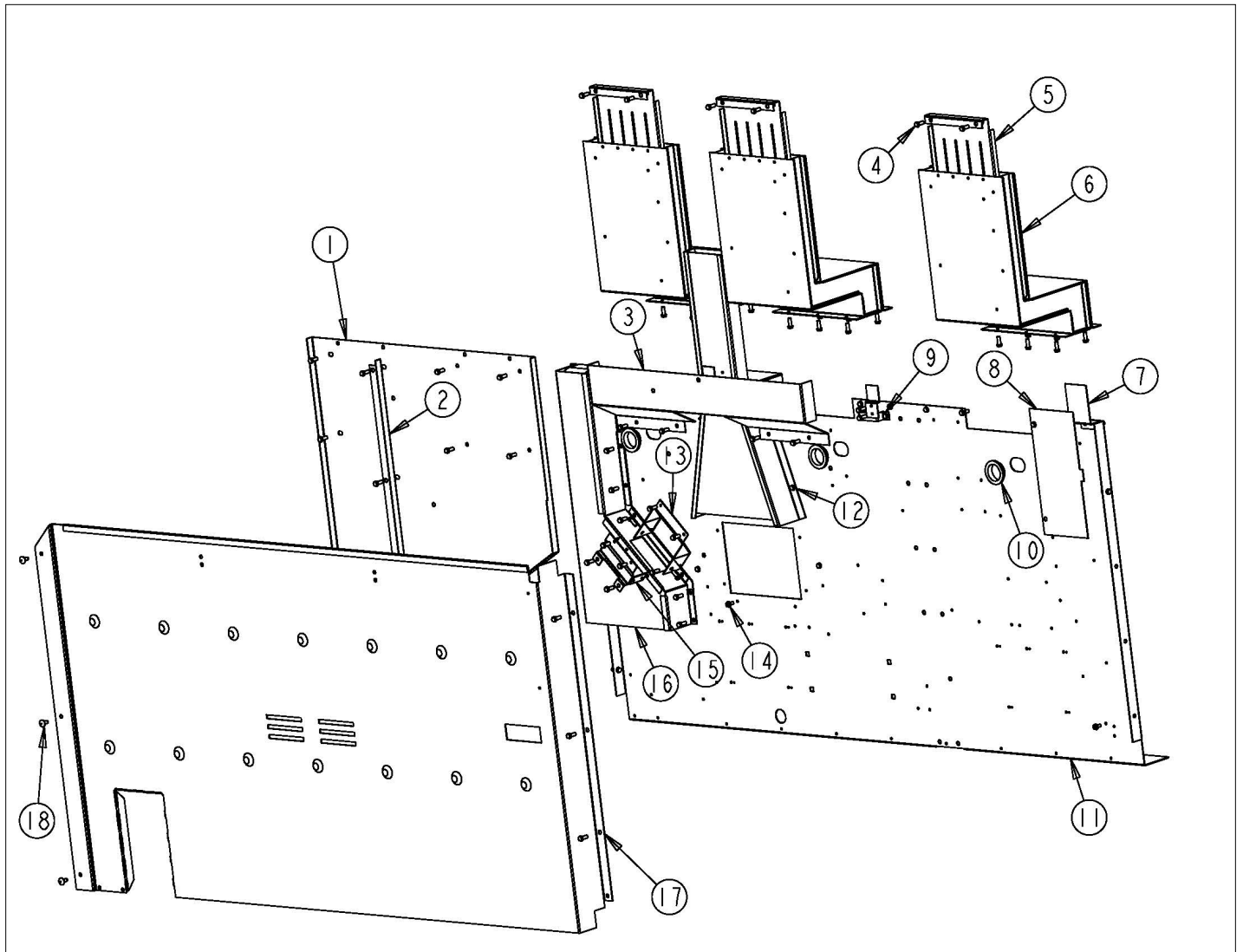
Item	Part No.	Name	Qty	Uom	NOTES
Not Shown	G3205671SSBR	DOOR ASSY *SSBR* (VGSC486 LH)		EA	NO LONGER AVAILABLE, Not available online / Call for pricing and availability
Not Shown	G3205671VB	DOOR ASSY *VB* (VGSC486 LH)		EA	NO LONGER AVAILABLE, Not available online / Call for pricing and availability
Not Shown	G3205671VBBR	COMPLETE DOOR ASSY - VBBR		EA	Not available online / Call for pricing and availability
Not Shown	G3205671WH	DOOR ASSY *WH* (VGSC486 LH)		EA	NO LONGER AVAILABLE, Not available online / Call for pricing and availability
Not Shown	G3205671WHBR	COMPLETE DOOR ASSY - WHBR		EA	Not available online / Call for pricing and availability

VGSC487-4GQ FLUE AND BACK AREA





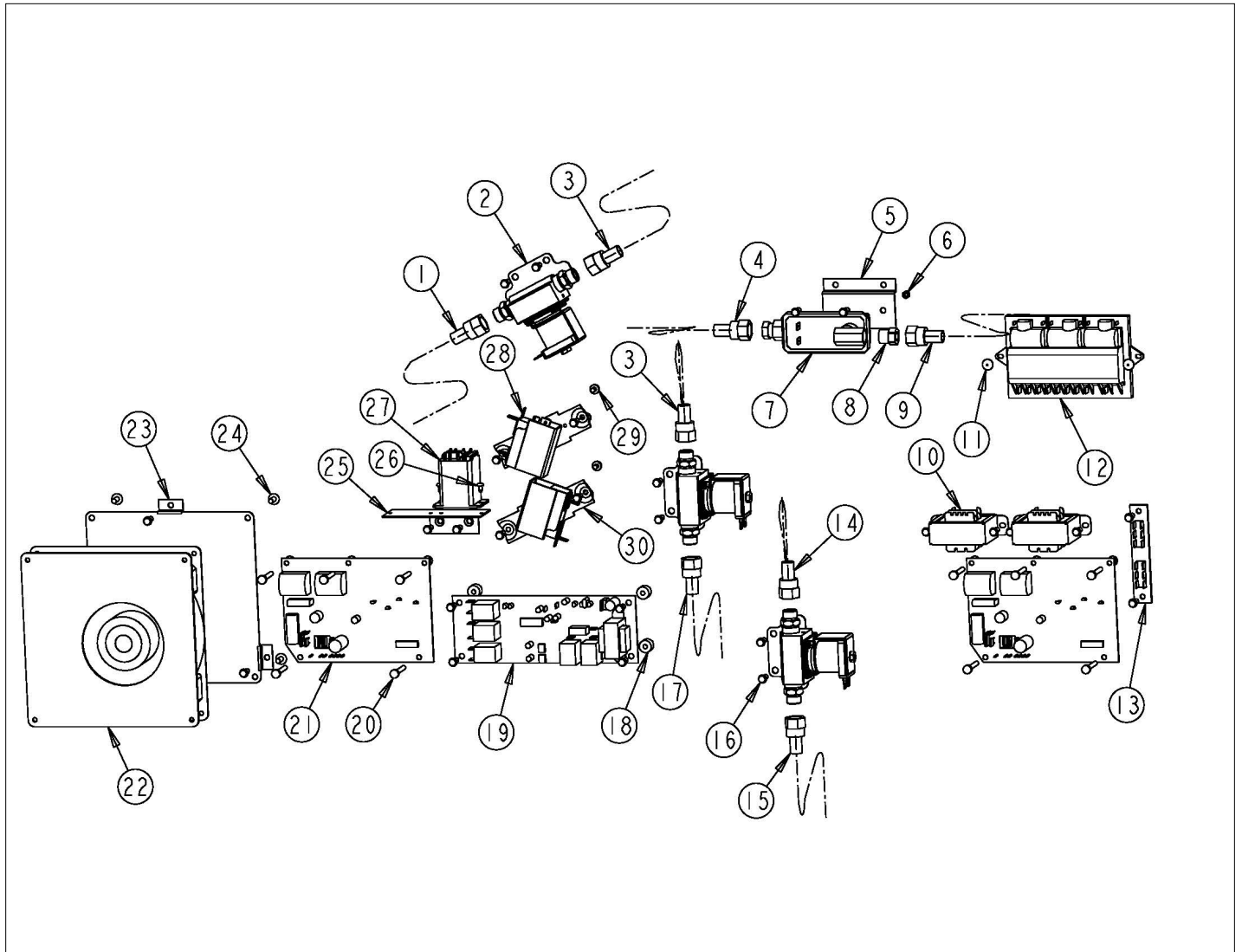
Item	Part No.	Name	Qty	Uom	NOTES
1	A2004468	BACK AIR CHANNEL (VGSC306)		EA	NO LONGER AVAILABLE, Not available online / Call for pricing and availability
2	A2005685	48 BACK AIR DEFLECTOR		EA	NO LONGER AVAILABLE, Not available online / Call for pricing and availability
3	A2004464	FLUE HEAT SHIELD (VGSC306)		EA	NO LONGER AVAILABLE
4	PD020060	10 X 1/2" (5/16)HEX WSHER HD.(T)A		EA	
5	E20013325	BAFFLE		EA	Not available online / Call for pricing and availability
6	G3004414	FLUE ASSY (VGSC306)		EA	NO LONGER AVAILABLE
7	A20013318	AIR GUIDE BRACKET		EA	NO LONGER AVAILABLE, Not available online / Call for pricing and availability
8	A1005686	48" GAS SLOT PROTECTOR		EA	NO LONGER AVAILABLE
9	A2005582	TUBING STRAP		EA	NO LONGER AVAILABLE, Not available online / Call for pricing and availability
10	PB070079	SILICONE EXTRUSION (DGSU)		EA	
11	A2005578	O/S OVEN BACK 48		EA	NO LONGER AVAILABLE, Not available online / Call for pricing and availability
12	G3004444	BROILER FLUE WELD ASSY (VGSC306)		EA	NO LONGER AVAILABLE, Not available online / Call for pricing and availability
13	A2004470	AIR CHANNEL BACK (VGSC306)		EA	NO LONGER AVAILABLE, Not available online / Call for pricing and availability
14	PD020010	10 X 3/8 GREEN GROUNDING SCREW		EA	





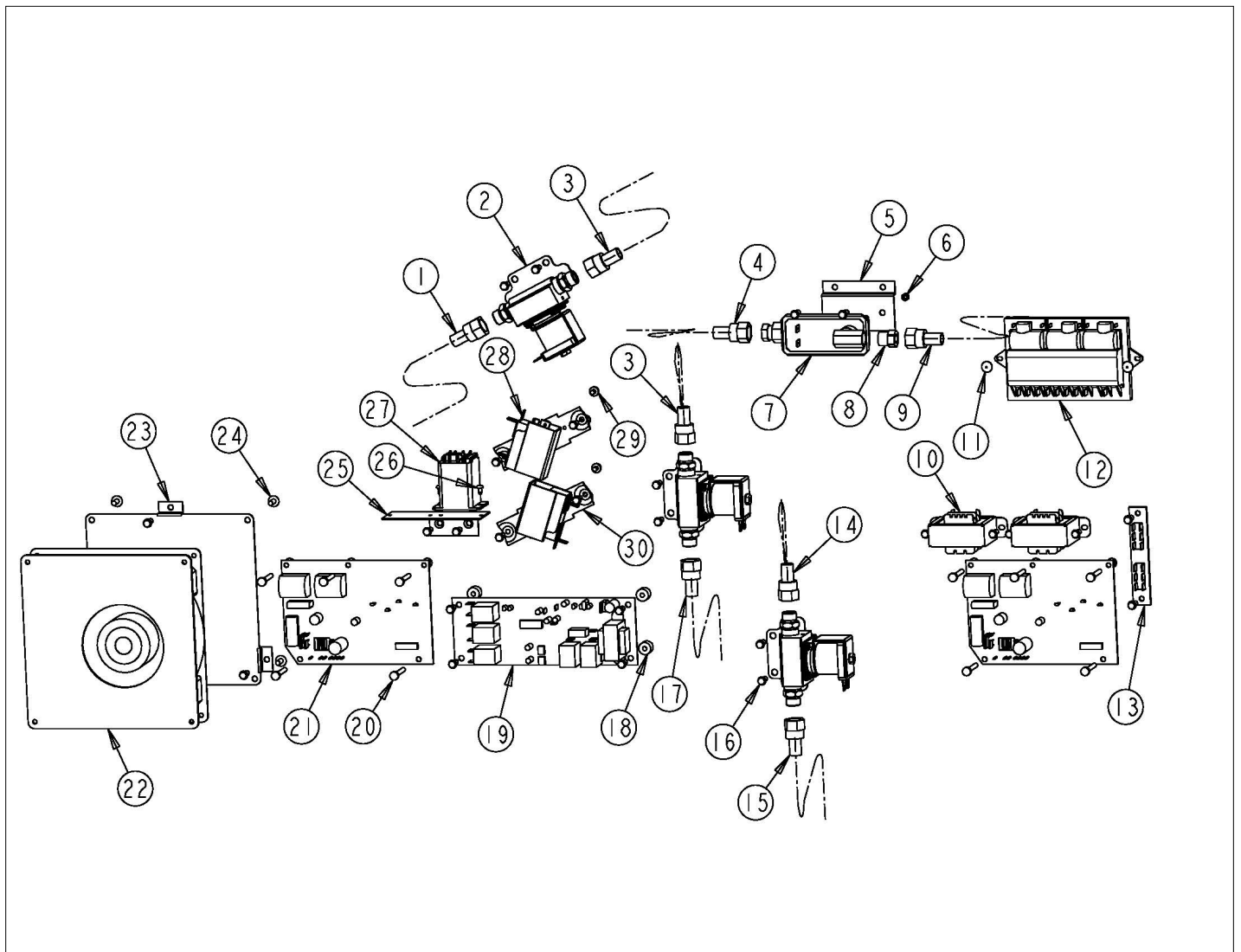
Item	Part No.	Name	Qty	Uom	NOTES
15	A2004469	COOLING FAN DUCT AIR COVER(VGSC306)		EA	NO LONGER AVAILABLE, Not available online / Call for pricing and availability
16	G3005680	COOLING FAN DUCT ASSY		EA	NO LONGER AVAILABLE
17	A2005583	48 REAR COVER		EA	NO LONGER AVAILABLE
18	PD020002	10 X 1/2 PH.TR.HD.SMS.		EA	

VGSC487-4GQ REAR ELECTRONICS





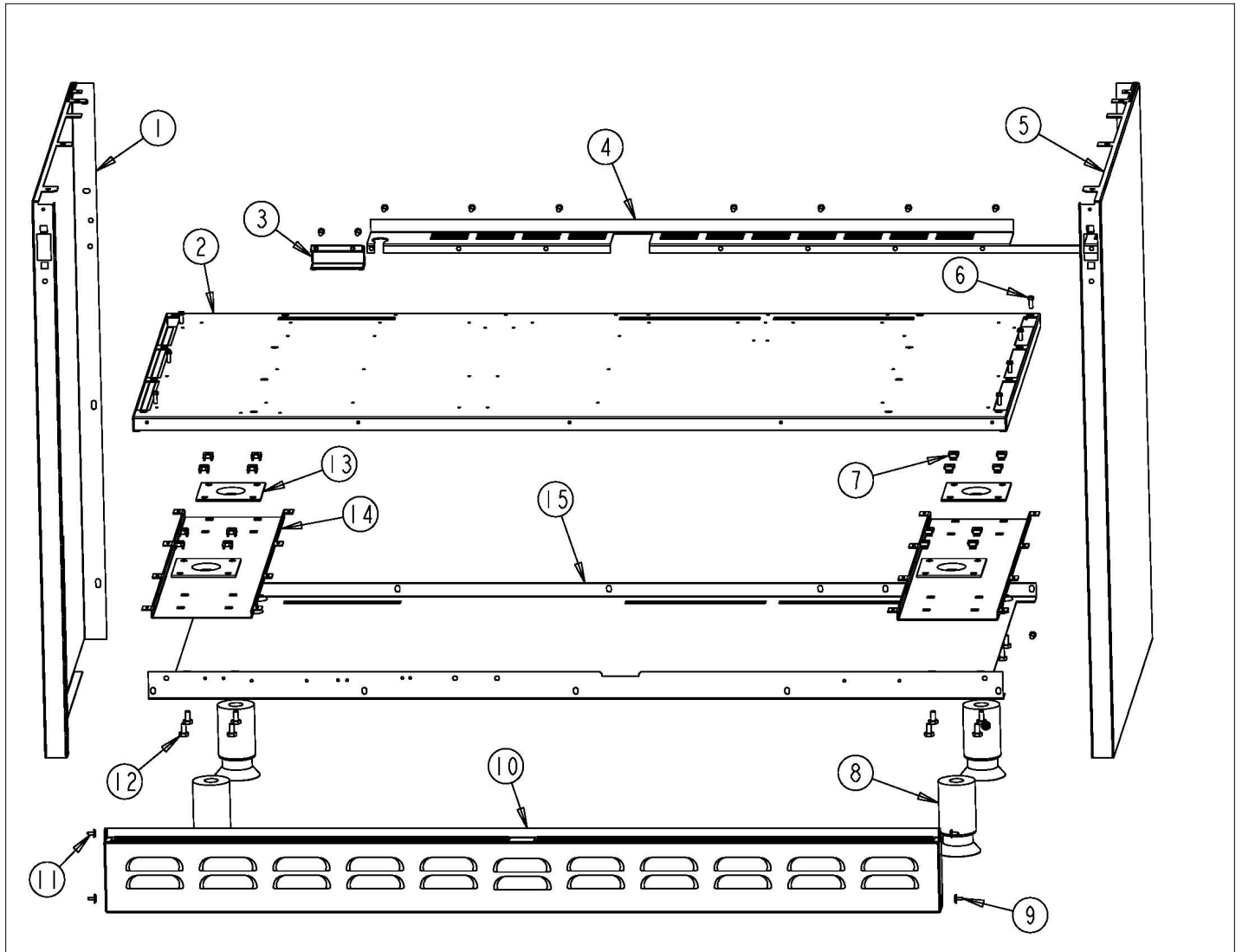
Item	Part No.	Name	Qty	Uom	NOTES
1	PB020126	3/8" S.S. FLEX TUBING 15" (DGCU)		EA	
2	PA010139	F J T VALVE REPL PA010079		EA	
3	PB020136	44" 3/8 S.S. FLEX TUBING T6-44		EA	
4	PB020216	3/8 S.S. FLEX TUBING 41"		EA	
5	A2005545	GRIDDLE VALVE BRACKET		EA	NO LONGER AVAILABLE, Not available online / Call for pricing and availability
6	PD030012	6-32 HEX NUT		EA	
7	PB010083	SINGLE THERMAL VALVE LH (OVEN)		EA	
8	PB040050	3/8CC MALE COMP. FITTING W/FERRULE		EA	
9	PB020112	3/8 SS FLEX TUBING - 36" T6-36		EA	
10	PE070468	TRANSFORMER HALOGEN LIGHTS REPLACES PE070222		EA	
11	PD020002	10 X 1/2 PH.TR.HD.SMS.		EA	
12	PA020048	Spark Module (6B /6G/ 4Q)		EA	
13	PE050001	TERMINAL BOARD		EA	
14	PB020113	3/8 SS FLEX TUBING - 52" T6-52		EA	
15	PB020111	TUBING,FLEX,38"		EA	
16	PD020060	10 X 1/2" (5/16)HEX WSHR HD.(T)A		EA	
17	PB020127	3/8" S.S. FLEX TUBING 20" (DGCU)		EA	
18	PD030033	GROMMET NUT-ROUND HD. #8 X .500DIA.		EA	
19	PE070148	SELF-CLEAN BOARD/TIMER (VDSC)		EA	
20	PD020053	#8 X 1 1/2 HEX WASHER HEAD SMS(VERT)		EA	
21	PA020035	DSI MODULE REPL PA020027		EA	
22	PE050026	COOLING FAN (VDSC)		EA	
23	A2005414	COOLING FAN BRACKET		EA	NO LONGER AVAILABLE, Not available online / Call for pricing and availability





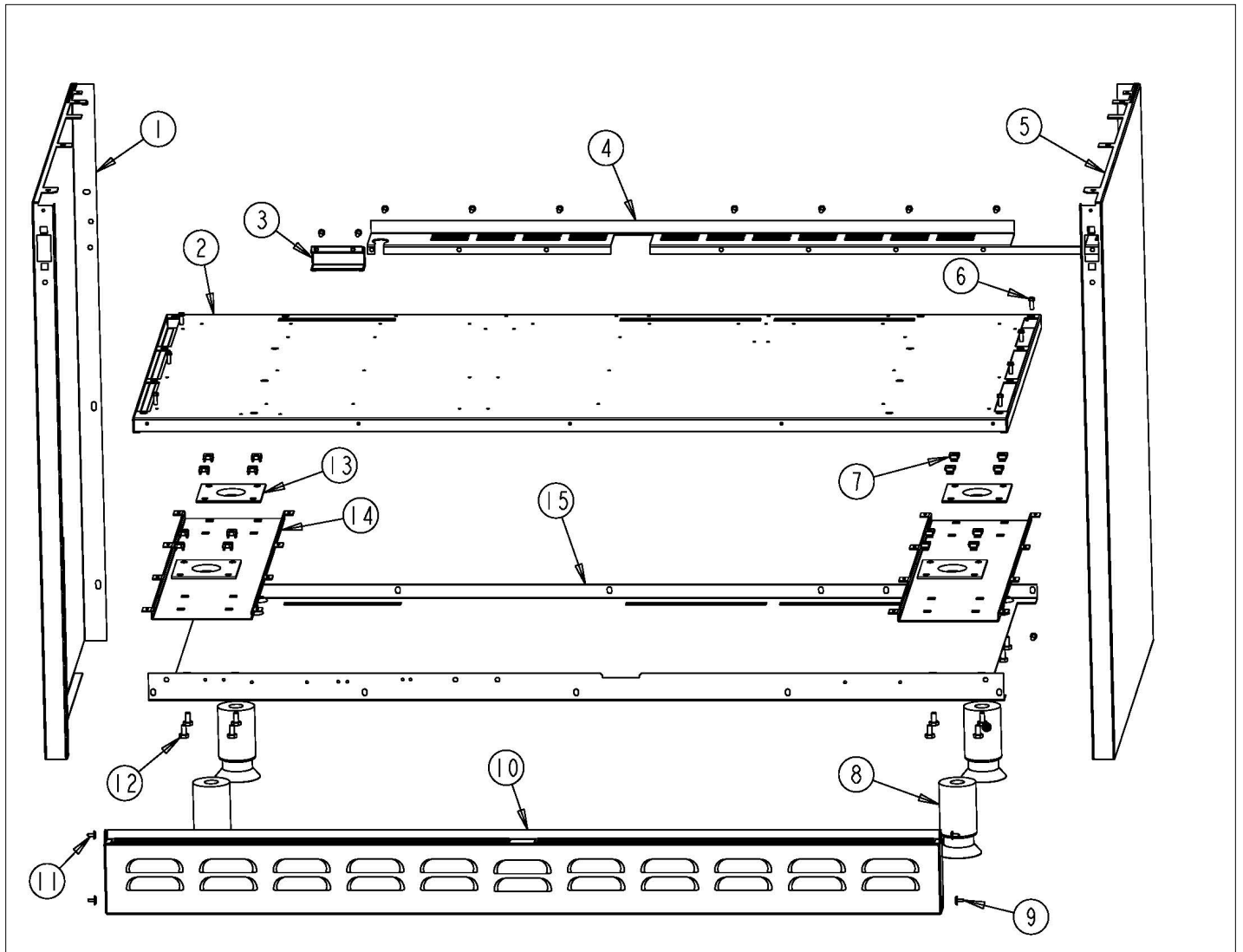
Item	Part No.	Name	Qty	Uom	NOTES
24	PD010003	10-24 X 1/2 PH.TR.HD.SERD.M.S.		EA	
25	A2004458	RELAY BRACKET (VGSC306) (2 RELAY)		EA	NO LONGER AVAILABLE
26	PD020006	' #6-32 X 1/4" PH.PAN HD. T(F)		EA	
27	PM010029	RELAY (DOUBLE POLE- DOUBLE THROW)TEM		EA	
28	PJ030002	AUTO RESET (SELF-CLEAN) VDSC		EA	
29	PD020044	#8-32 X 1/4" PH. TR. HD. M.S.		EA	
30	A1002456	THERMO-DISC BRKT (VDSC)		EA	

VGSC487-4GQ LOWER UNIT AND SIDE PANELS



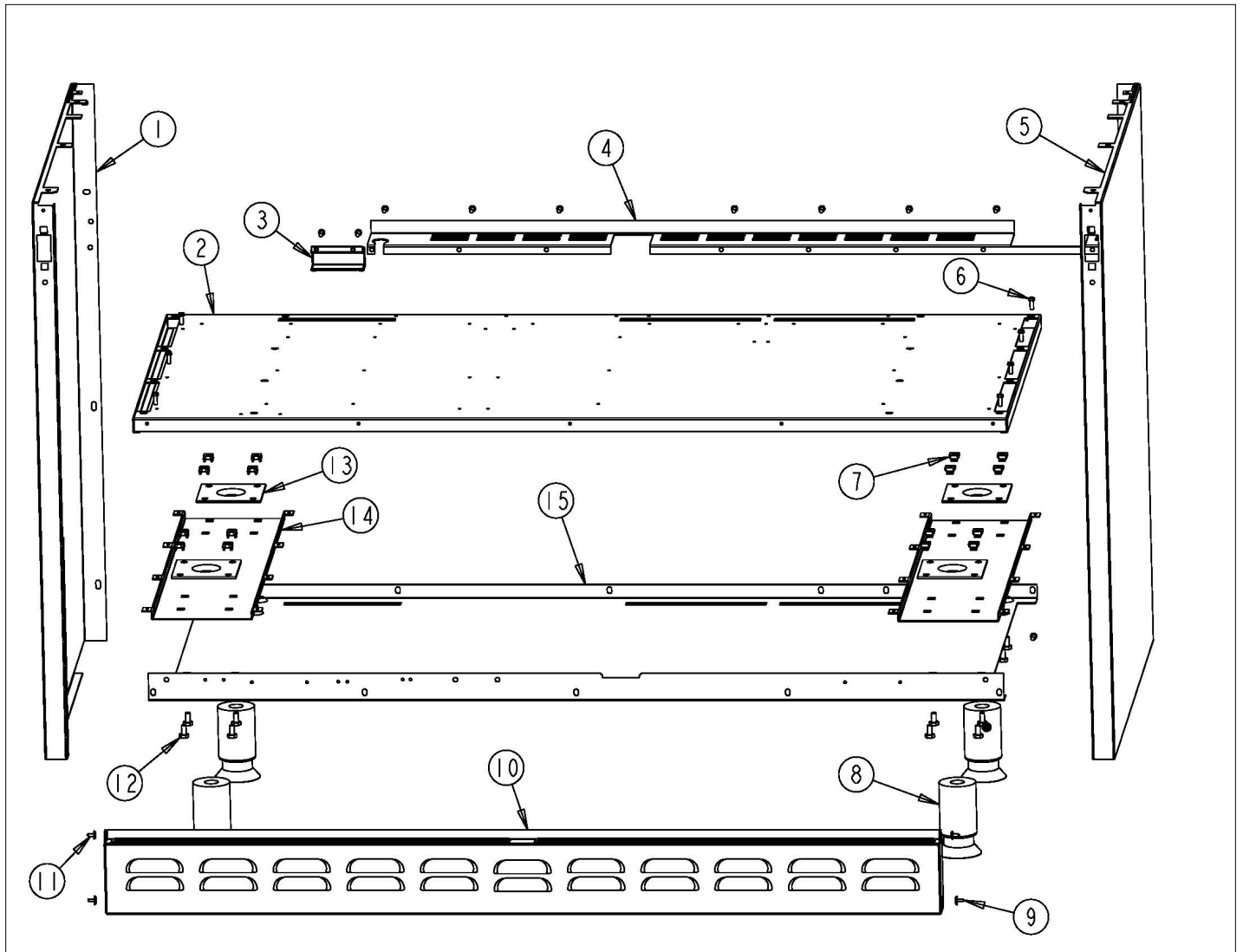


Item	Part No.	Name	Qty	Uom	NOTES
1	B20010180	O/S BODY PANEL - LH		EA	
Not Shown	C90010180AL	SIDE PANEL LH *AL*		EA	NO LONGER AVAILABLE, Not available online / Call for pricing and availability
Not Shown	C90010180BK	SIDE PANEL LH *BK*		EA	Not available online / Call for pricing and availability
Not Shown	C90010180BT	SIDE PANEL LH *BT*		EA	NO LONGER AVAILABLE, Not available online / Call for pricing and availability
Not Shown	C90010180BU	SIDE PANEL LH *BU*		EA	
Not Shown	C90010180CB	SIDE PANEL LH *CB*		EA	NO LONGER AVAILABLE
Not Shown	C90010180EP	SIDE PANEL LH *EP*		EA	NO LONGER AVAILABLE, Not available online / Call for pricing and availability
Not Shown	C90010180FG	SIDE PANEL LH *FG*		EA	NO LONGER AVAILABLE, Not available online / Call for pricing and availability
Not Shown	C90010180GG	SIDE PANEL LH *GG*		EA	NO LONGER AVAILABLE, Not available online / Call for pricing and availability
Not Shown	C90010180LE	SIDE PANEL LH *LE*		EA	NO LONGER AVAILABLE, Not available online / Call for pricing and availability
Not Shown	C90010180MJ	SIDE PANEL LH *MJ*		EA	
Not Shown	C90010180SG	SIDE PANEL LH *SG*		EA	NO LONGER AVAILABLE, Not available online / Call for pricing and availability
Not Shown	C90010180VB	SIDE PANEL LH *VB*		EA	NO LONGER AVAILABLE, Not available online / Call for pricing and availability



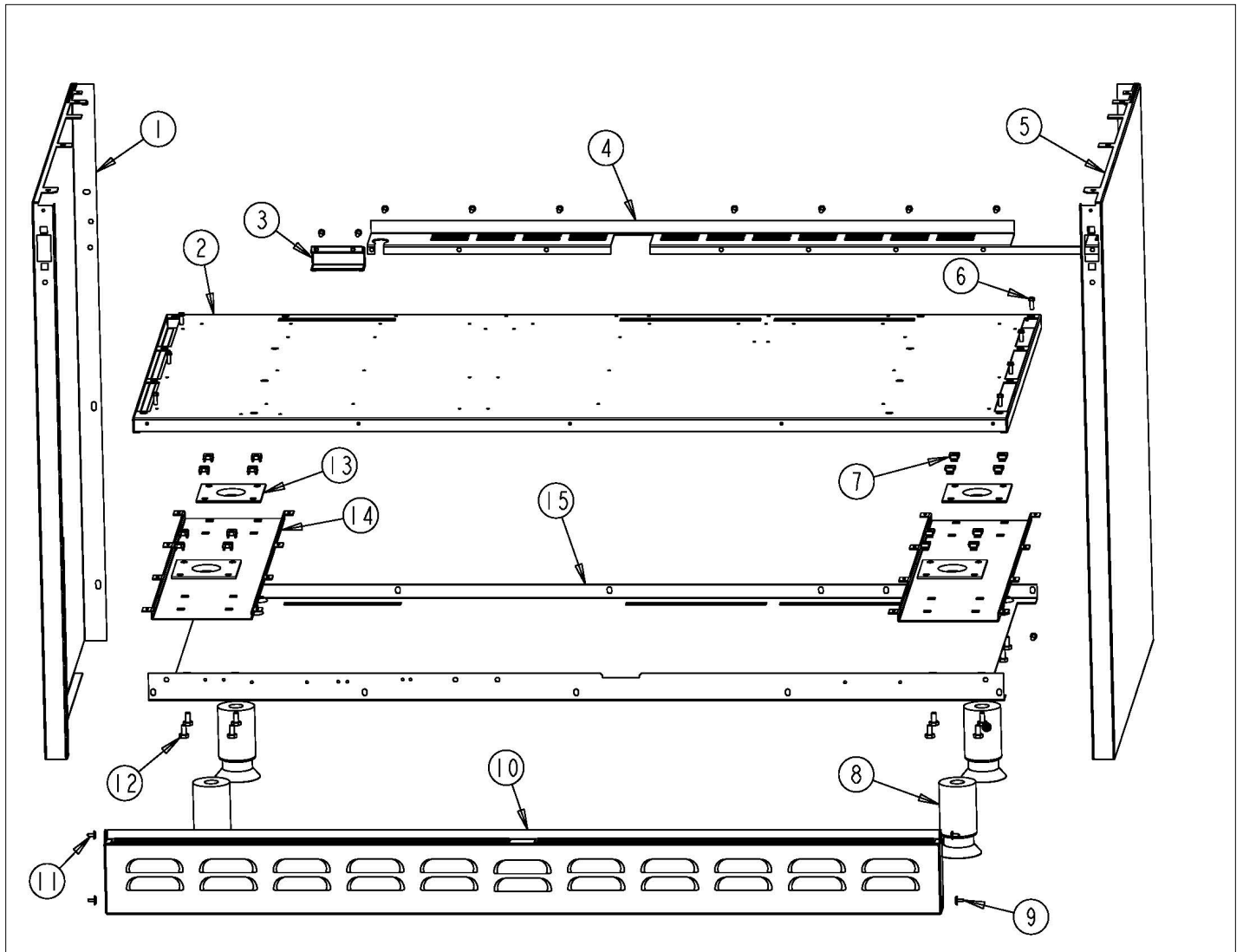


Item	Part No.	Name	Qty	Uom	NOTES
Not Shown	C90010180WH	SIDE PANEL LH *WH*		EA	
2	A2002501	BTM INSULATION SHIELD (VDSC48)		EA	NO LONGER AVAILABLE, Not available online / Call for pricing and availability
3	A2004481	WIRE CHANNEL RH (VGSC306)		EA	NO LONGER AVAILABLE
4	A2005584	O/S OVEN BACK BOTTOM		EA	NO LONGER AVAILABLE
5	B20010179	O/S BODY PANEL - RH		EA	
Not Shown	C90010179AL	SIDE PANEL RH *AL*		EA	NO LONGER AVAILABLE, Not available online / Call for pricing and availability
Not Shown	C90010179BK	SIDE PANEL RH *BK*		EA	NO LONGER AVAILABLE
Not Shown	C90010179BT	SIDE PANEL RH *BT*		EA	NO LONGER AVAILABLE, Not available online / Call for pricing and availability
Not Shown	C90010179BU	SIDE PANEL RH *BU*		EA	Not available online / Call for pricing and availability
Not Shown	C90010179CB	SIDE PANEL RH *CB*		EA	NO LONGER AVAILABLE
Not Shown	C90010179EP	SIDE PANEL RH *EP*		EA	NO LONGER AVAILABLE, Not available online / Call for pricing and availability
Not Shown	C90010179FG	SIDE PANEL RH *FG*		EA	NO LONGER AVAILABLE, Not available online / Call for pricing and availability
Not Shown	C90010179GG	SIDE PANEL RH *GG*		EA	NO LONGER AVAILABLE, Not available online / Call for pricing and availability
Not Shown	C90010179LE	SIDE PANEL RH *LE*		EA	NO LONGER AVAILABLE, Not available online / Call for pricing and availability





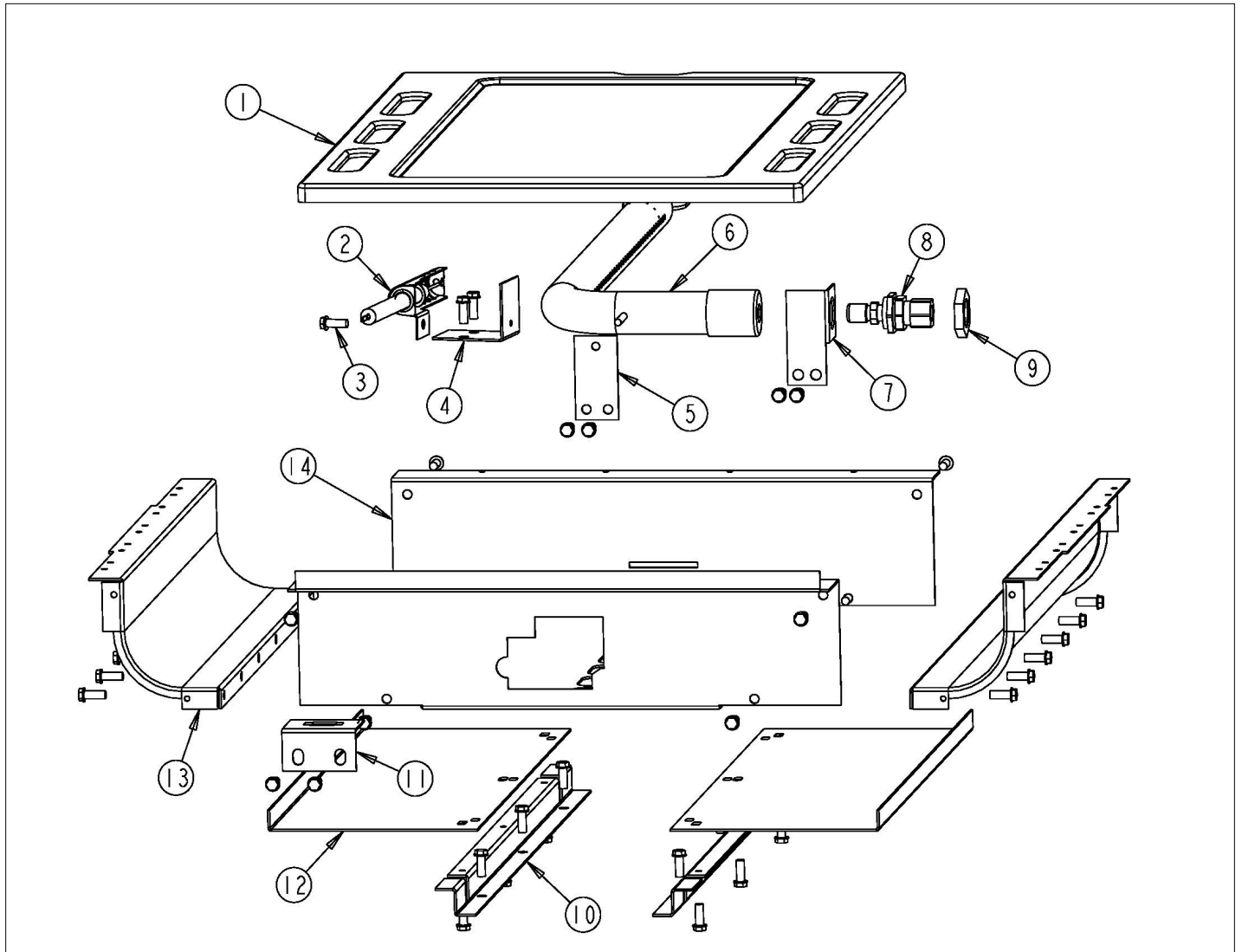
Item	Part No.	Name	Qty	Uom	NOTES
Not Shown	C90010179MJ	SIDE PANEL RH *MJ*		EA	
Not Shown	C90010179SG	SIDE PANEL RH *SG*		EA	NO LONGER AVAILABLE, Not available online / Call for pricing and availability
Not Shown	C90010179VB	SIDE PANEL RH *VB*		EA	NO LONGER AVAILABLE, Not available online / Call for pricing and availability
Not Shown	C90010179WH	SIDE PANEL RH *WH*		EA	
6	PD020060	10 X 1/2" (5/16)HEX WSHER HD.(T)A		EA	
7	PD030029	SELF RETAINING NUT (1/4-20)		EA	
8	PC030017	4" LEG ASSY		EA	
9	PD020073	SRW #10 X 24 X 3/8 WAFER HD TYPE23		EA	
10	B2001241	LWR ACC. PNL - RPLCS B2001973		EA	
Not Shown	C9001241AL	LWR ACC PNL - RPLCS C9001973AL		EA	NO LONGER AVAILABLE, Not available online / Call for pricing and availability
Not Shown	C9001241BK	LWR ACC PNL - RPLCS C9001973BK		EA	
Not Shown	C9001241BT	LWR ACC PNL - RPLCS C9001973BT		EA	NO LONGER AVAILABLE
Not Shown	C9001241BU	LWR ACC PNL - RPLCS C9001973BU		EA	
Not Shown	C9001241CB	LWR ACC PNL - RPLCS C9001973CB		EA	NO LONGER AVAILABLE
Not Shown	C9001241EP	LWR ACC PNL - RPCLS C9001973EP		EA	NO LONGER AVAILABLE, Not available online / Call for pricing and availability
Not Shown	C9001241FG	LWR ACC PNL - RPLCS C9001973FG		EA	NO LONGER AVAILABLE, Not available online / Call for pricing and availability
Not Shown	C9001241GG	LWR ACC PNL - RPLCS C9001973GG		EA	Not available online / Call for pricing and availability



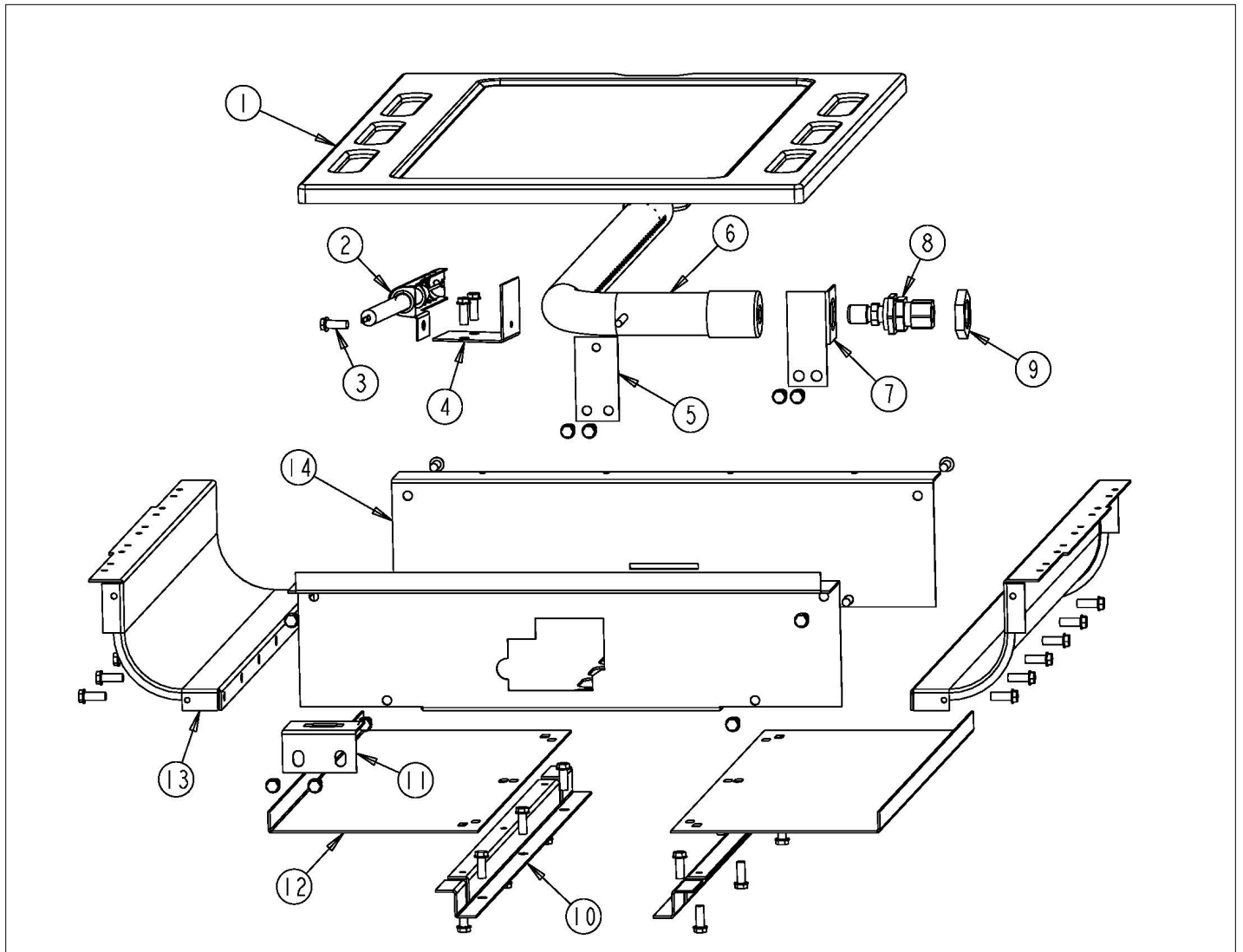


Item	Part No.	Name	Qty	Uom	NOTES
Not Shown	C9001241LE	LWR ACC PNL - RPLCS C9001973LE		EA	NO LONGER AVAILABLE
Not Shown	C9001241MJ	LWR ACC PNL - RPLCS C9001973MJ		EA	NO LONGER AVAILABLE
Not Shown	C9001241SG	LWR ACC PNL - RPLCS C9001973SG		EA	Not available online / Call for pricing and availability
Not Shown	C9001241VB	LWR ACC PNL - RPLCS C9001973VB		EA	NO LONGER AVAILABLE, Not available online / Call for pricing and availability
Not Shown	C9001241WH	LWR ACC PNL - RPLCS C9001973WH		EA	
11	PD020032	SRW-8(A)X3/8"PH.WFR HD 7/16DIA*NICL		EA	
12	PD010006	HEX HD. BOLT - 1/4-20 X 1/2		EA	
13	PC030007	LEG PLATE - 3/4" THREADED HOLE		EA	
14	A2002482	LEG BRACE (VDSC)		EA	NO LONGER AVAILABLE
15	A2002500	MAIN BTM (VDSC485)		EA	NO LONGER AVAILABLE
NI	019503-000	48" CURB BASE KIT		EA	

VGSC487-4GQ LH OVEN LOWER CAVITY



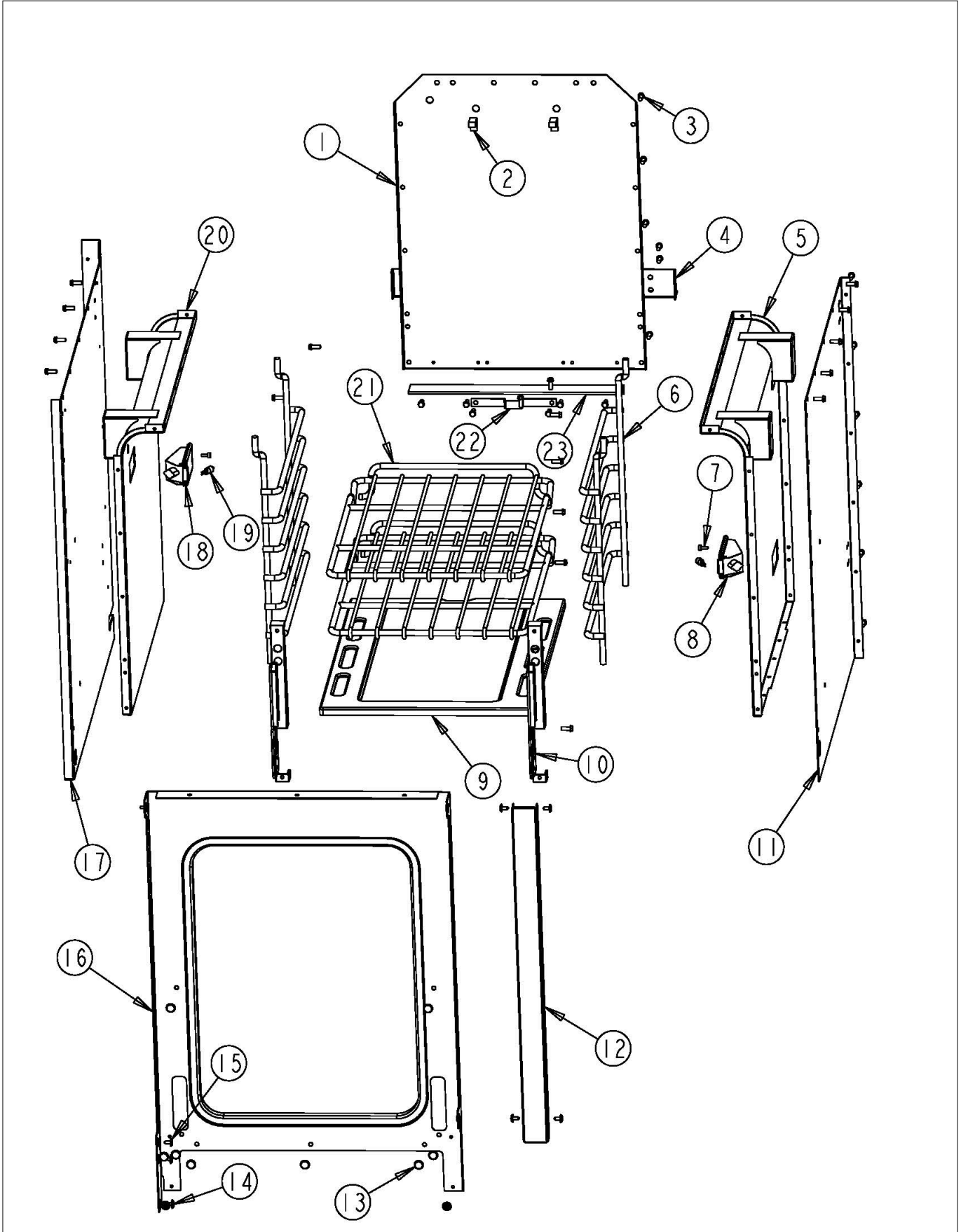
Item	Part No.	Name	Qty	Uom	NOTES
1	068457-000	ASM, BOTTOM, CAVITY OVEN GAS 18" GRAY		EA	
2	PB040170	BAKE IGNITION ELECTRODE		EA	
Not Shown	NOTE	(units built before 08-30-2006)		EA	
2	PB040273	BAKE IGNITION ELECTRODE		EA	
Not Shown	NOTE	(units built on or after 08-31- 2006)		EA	
3	PD020060	10 X 1/2" (5/16)HEX WSHER HD.(T)A		EA	
4	A2005665	LH IGNITOR BRACKET		EA	
Not Shown	NOTE	(units built before 08-30-2006)		EA	
5	A1005571	BURNER MOUNTING BRACKET		EA	NO LONGER AVAILABLE
6	PB050065	OVEN BURNER, LH		EA	
Comments for Part Num. PB050065 bradleysapplianceservice@shaw.ca on Feb 22, 2019 IF BAKE ELECTRODE FOR LEFT HAND 18" OVEN WITH PB050065 BAKE BURNER IS REQUIRED - USE PB040273 BAKE IGNITION ELECTRODE.					
Not Shown	NOTE	(units built before 08-31-2006)		EA	
NI	PB050080	VGSC486 LH OVEN BURNER		EA	
Not Shown	NOTE	(units built on or after 08-31- 2006)		EA	
7	A2005579	ORIFICE BRACKET 48LH		EA	NO LONGER AVAILABLE, Not available online / Call for pricing and availability
8	PB040229	BULKHEAD FITTING (VGSC486LH)		EA	
Not Shown	PB040062	ORIFICE HOOD-#56		EA	
9	PD030018	PALNUT - 3/4-16		EA	
10	A2004429	OVEN BOTTOM INSUL. BRACE (VGSC306)		EA	
11	A20012922	DISCONNECT POWER BRACKET		EA	NO LONGER AVAILABLE, Not available online / Call for pricing and availability





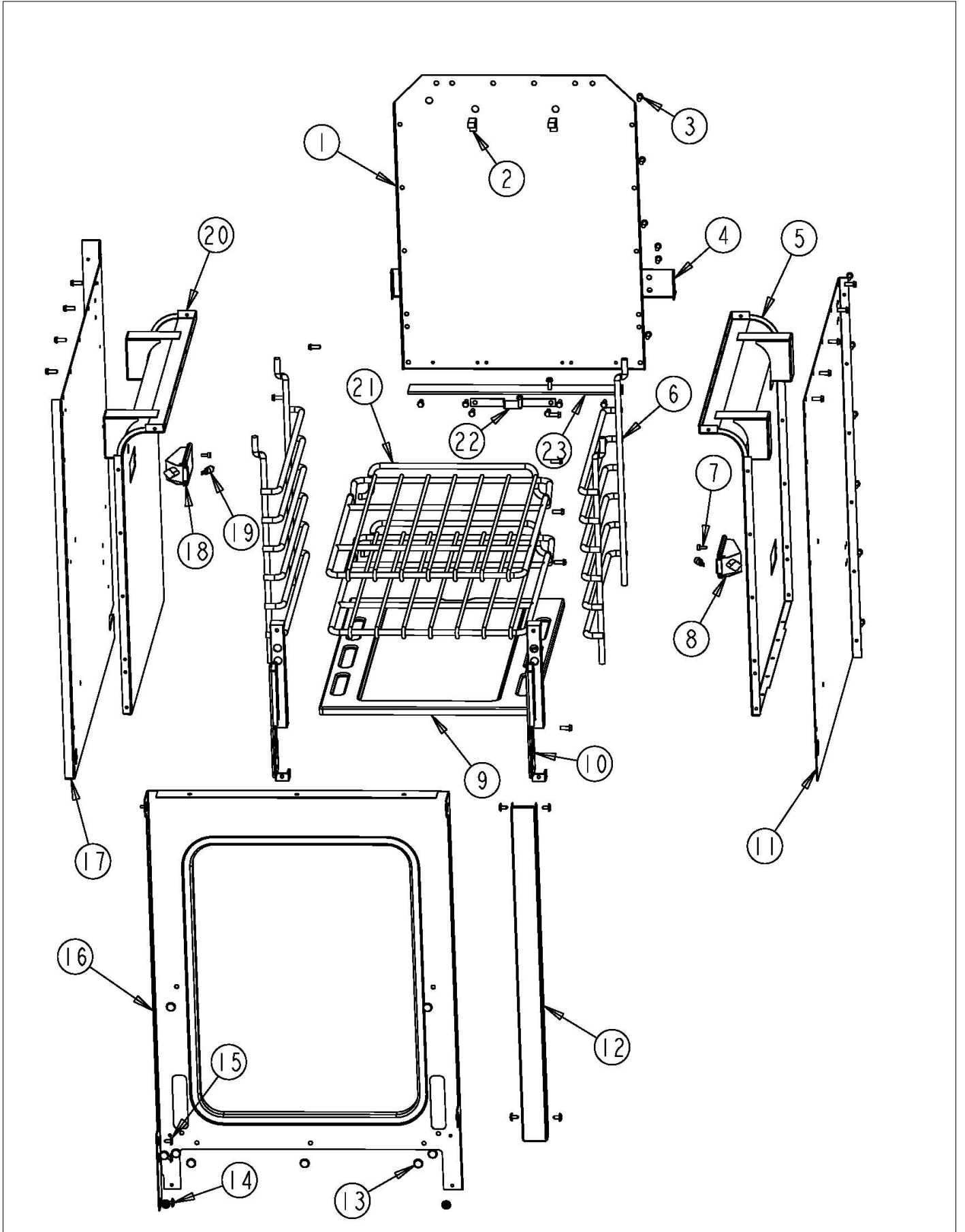
Item	Part No.	Name	Qty	Uom	NOTES
12	A20013316	CAVITY BOTTOM EXTENSION		EA	NO LONGER AVAILABLE, Not available online / Call for pricing and availability
13	E2104427	BURNER BOX SIDE RH (VGSC306)		EA	NO LONGER AVAILABLE, Not available online / Call for pricing and availability
14	A20010139	48" LH CAVITY BOTTOM		EA	NO LONGER AVAILABLE, Not available online / Call for pricing and availability

VGSC487-4GQ LH OVEN MAIN CAVITY AREA

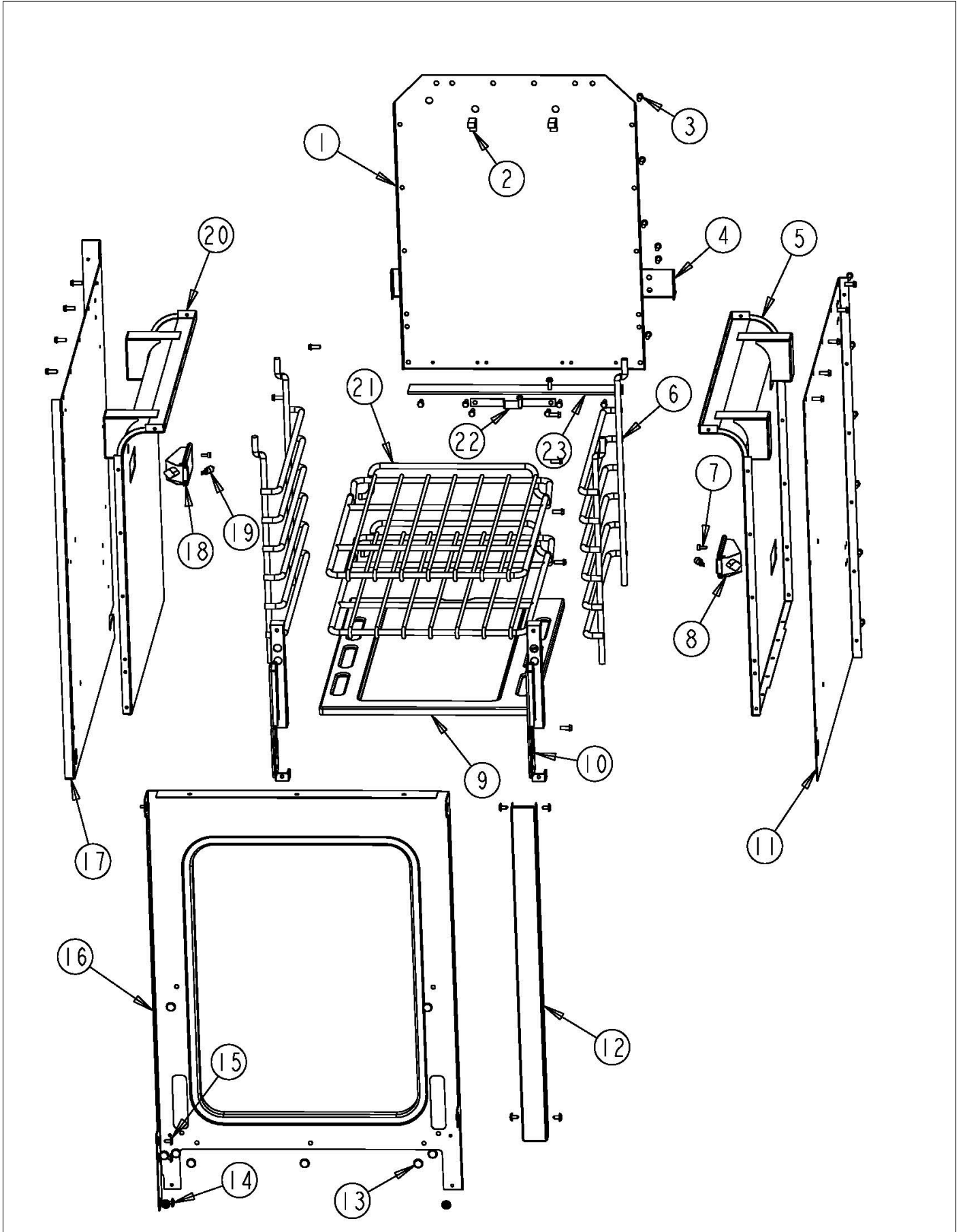




Item	Part No.	Name	Qty	Uom	NOTES
1	E9105572	OVEN BACK 48LH		EA	NO LONGER AVAILABLE, Not available online / Call for pricing and availability
2	PD030031	THERMAL BULB CLIP - .250		EA	
3	PD020060	10 X 1/2" (5/16)HEX WSHR HD.(T)A		EA	
4	A2005576	REAR OVEN SUPPORT 48LH		EA	NO LONGER AVAILABLE, Not available online / Call for pricing and availability
5	G9105564	OVEN SIDE ASSY RH 48LH		EA	NO LONGER AVAILABLE, Not available online / Call for pricing and availability
6	PB060030	RACK SUPT REPL PB060010		EA	
7	PD020067	' #6 X 3/8" PAN PHIL. TEK *SS*		EA	
8	PE050056	OVEN LIGHT ASSY 12V/5W		EA	
Not Shown	NOTE	Inc. Bulb		EA	
9	G3205588	OVEN BOTTOM PAN ASSY 48LH		EA	
10	PC020009	HINGE ASSY (BROWN)		EA	
11	A2005577	OVEN SIDE INSULATION RETAINER LH		EA	NO LONGER AVAILABLE, Not available online / Call for pricing and availability
12	B2005683	CENTER TRIM		EA	
Not Shown	C9005683AL	CENTER TRIM *AL*		EA	NO LONGER AVAILABLE, Not available online / Call for pricing and availability
Not Shown	C9005683BK	CENTER TRIM *BK*		EA	NO LONGER AVAILABLE
Not Shown	C9005683BT	CENTER TRIM *BT*		EA	NO LONGER AVAILABLE, Not available online / Call for pricing and availability
Not Shown	C9005683BU	CENTER TRIM *BU*		EA	Not available online / Call for pricing and availability



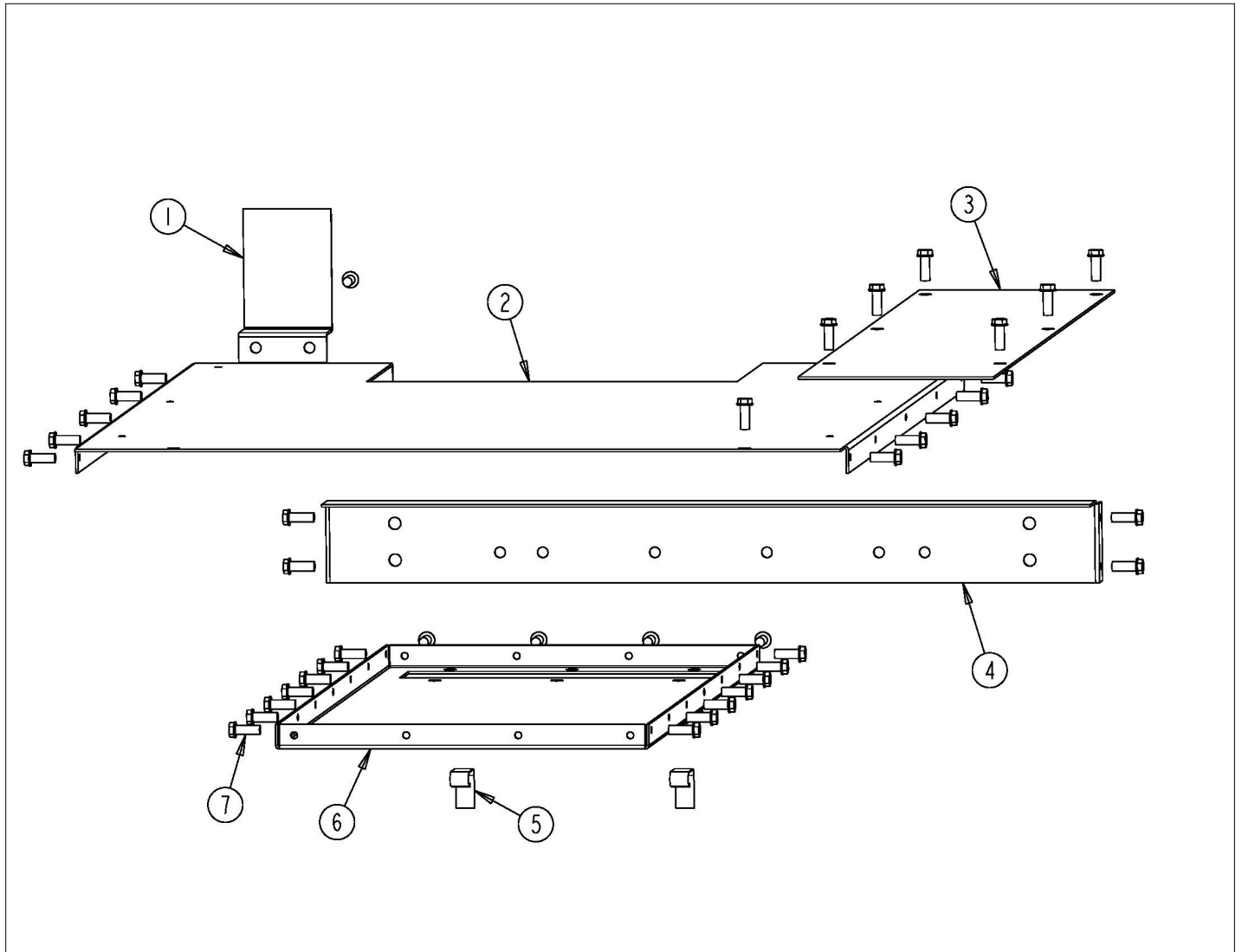
Item	Part No.	Name	Qty	Uom	NOTES
Not Shown	C9005683CB	CENTER TRIM *CB*		EA	NO LONGER AVAILABLE
Not Shown	C9005683EP	CENTER TRIM *EP*		EA	NO LONGER AVAILABLE, Not available online / Call for pricing and availability
Not Shown	C9005683FG	CENTER TRIM *FG*		EA	NO LONGER AVAILABLE, Not available online / Call for pricing and availability
Not Shown	C9005683GG	CENTER TRIM *GG*		EA	NO LONGER AVAILABLE
Not Shown	C9005683LE	CENTER TRIM *LE*		EA	NO LONGER AVAILABLE, Not available online / Call for pricing and availability
Not Shown	C9005683MJ	CENTER TRIM *MJ*		EA	NO LONGER AVAILABLE, Not available online / Call for pricing and availability
Not Shown	C9005683SG	CENTER TRIM *SG*		EA	
Not Shown	C9005683VB	CENTER TRIM *VB*		EA	NO LONGER AVAILABLE, Not available online / Call for pricing and availability
Not Shown	C9005683WH	CENTER TRIM *WH*		EA	NO LONGER AVAILABLE, Not available online / Call for pricing and availability
13	PD020033	SRW-#10-24X1/2"T(23)PH.WFR HD (NKL)		EA	
14	PD020073	SRW #10 X 24 X 3/8 WAFER HD TYPE23		EA	
15	PD020032	SRW-8(A)X3/8"PH.WFR HD 7/16DIA*NICL		EA	
16	G9105574	OVEN FRONT FRAME ASSY 48LH		EA	NO LONGER AVAILABLE, Not available online / Call for pricing and availability
17	A2005550	OVEN SIDE INSUL RETAINER		EA	NO LONGER AVAILABLE, Not available online / Call for pricing and availability





Item	Part No.	Name	Qty	Uom	NOTES
18	PE050148	OVEN LIGHT ASSY. W/32" CABLE		EA	
Not Shown	NOTE	Inc. Bulb		EA	
19	PE050251	120V 25W HALOGEN APPLIANCE BULB		EA	
20	G9105565	OVEN SIDE ASSY LH 48LH		EA	NO LONGER AVAILABLE, Not available online / Call for pricing and availability
21	PB060046	OVEN RK VDSC48-LH REPL PB060023		EA	
22	A2004428	REAR BOTTOM BRCKT (VGSC306)		EA	
23	031445-403	BRACE, OVEN, BOTTOM, BACK		EA	

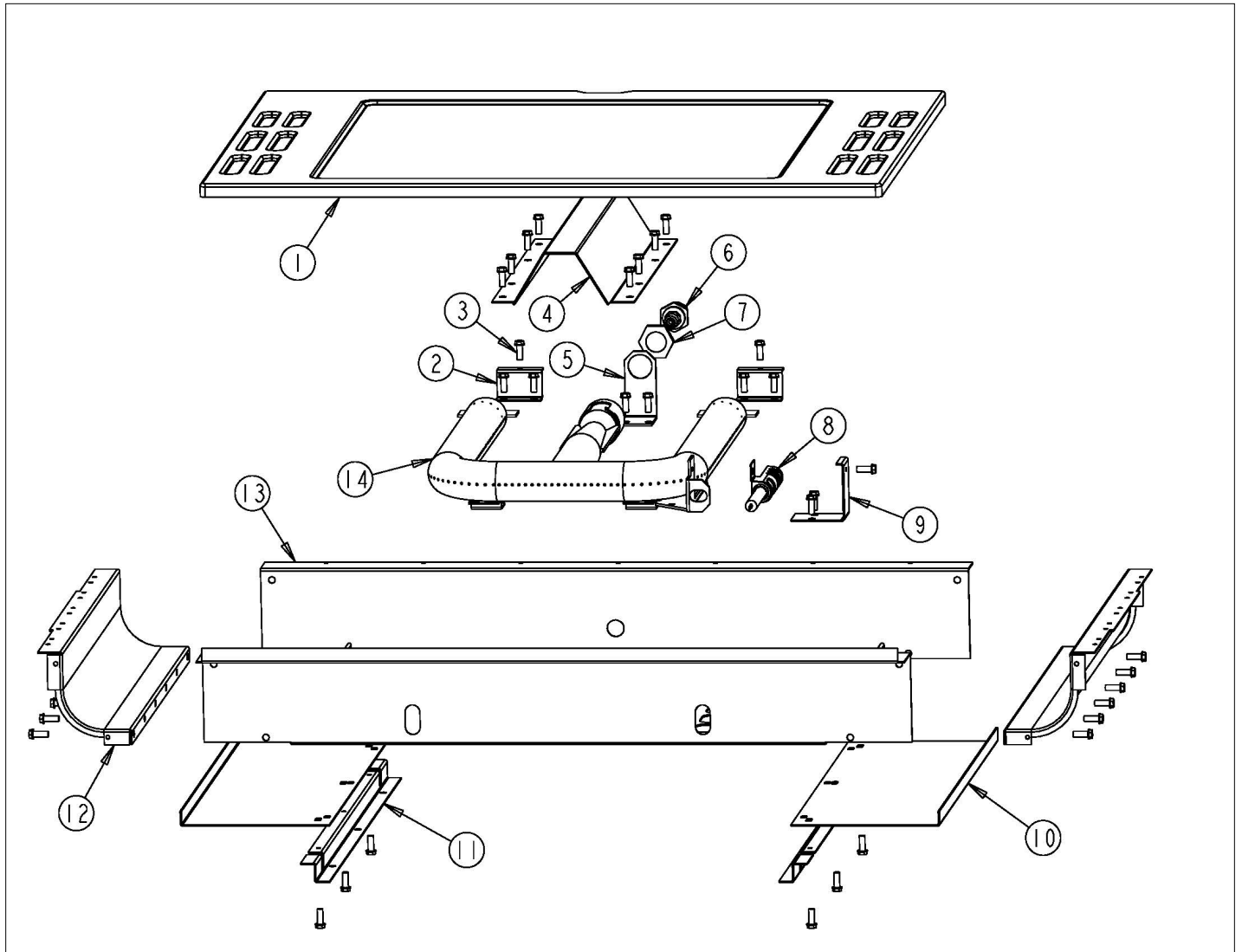
VGSC487-4GQ LH OVEN UPPER AREA





Item	Part No.	Name	Qty	Uom	NOTES
1	A20013318	AIR GUIDE BRACKET		EA	NO LONGER AVAILABLE, Not available online / Call for pricing and availability
2	A2005560	OVEN TOP INSULATION RETAINER 48LH		EA	NO LONGER AVAILABLE, Not available online / Call for pricing and availability
3	A1005678	CENTER AIR DIVERTER		EA	NO LONGER AVAILABLE, Not available online / Call for pricing and availability
4	A2005576	REAR OVEN SUPPORT 48LH		EA	NO LONGER AVAILABLE, Not available online / Call for pricing and availability
5	PD030031	THERMAL BULB CLIP - .250		EA	
6	E9105566	OVEN TOP 48LH		EA	NO LONGER AVAILABLE, Not available online / Call for pricing and availability
7	PD020060	10 X 1/2" (5/16)HEX WSHR HD.(T)A		EA	

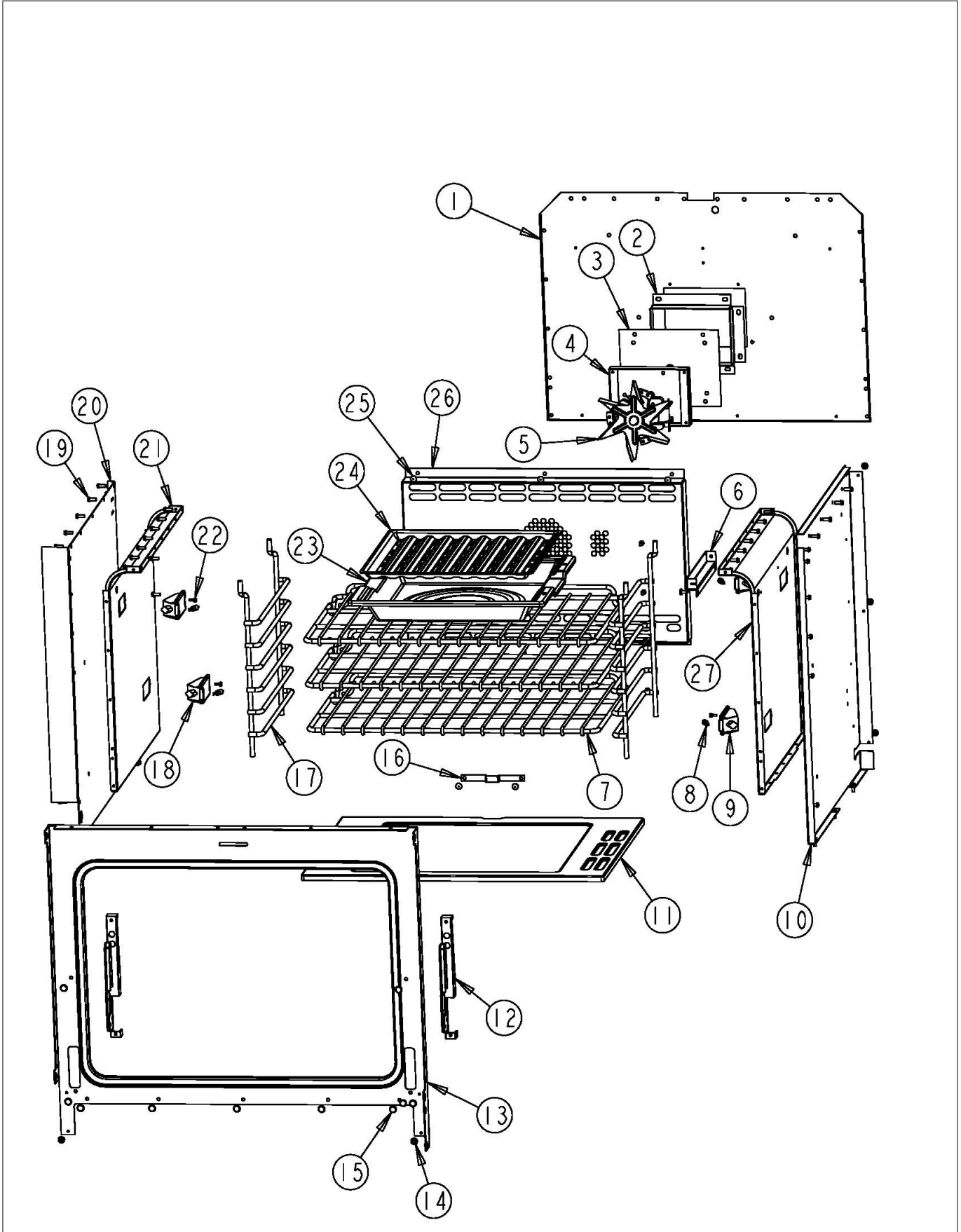
VGSC487-4GQ RH OVEN LOWER CAVITY AREA





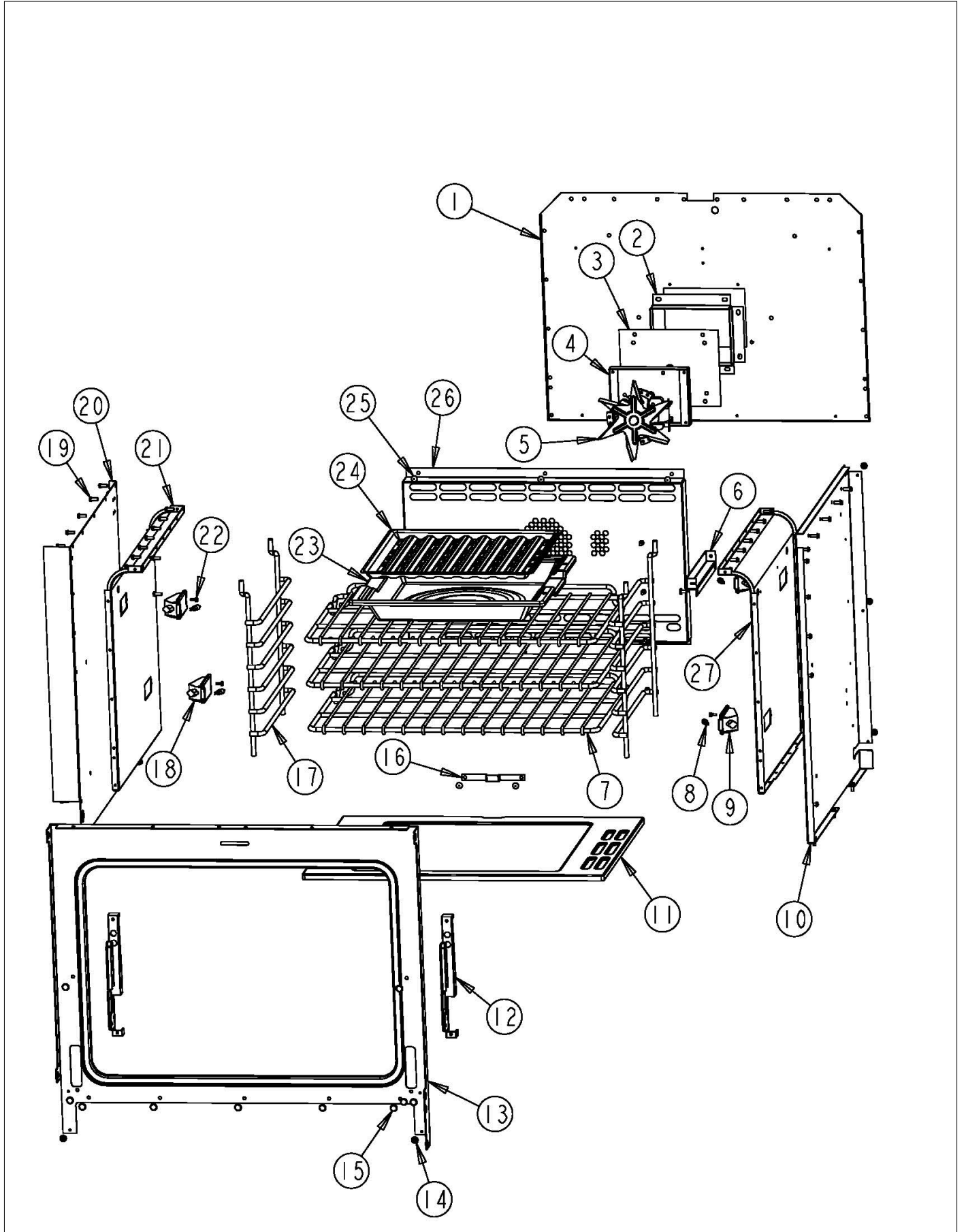
Item	Part No.	Name	Qty	Uom	NOTES
1	068456-000	ASM, BOTTOM, CAVITY, OVEN, GAS, 30", GRAY		EA	
NI	A2004439	OVEN BOTTOM SHIELD (VGSC306)		EA	
2	B2004415	BURNER BRACKET (VGSC306)		EA	
3	PD020060	10 X 1/2" (5/16)HEX WSHR HD.(T)A		EA	
4	A2004424	BURNER COVER (VGSC306)		EA	
5	A2004434	ORIFICE BRACKET (VGSC306)		EA	Not available online / Call for pricing and availability
6	PB040265	BULKHEAD ORIFICE FITTING		EA	
Not Shown	PB040246	SUB TO PB040035 - #51 ORIFICE HOOD		EA	NO LONGER AVAILABLE
7	PD030018	PALNUT - 3/4-16		EA	
8	PB040170	BAKE IGNITION ELECTRODE		EA	
9	A2004452	BOTTOM IGINATION BRACKET (VGSC306)		EA	
10	A20013316	CAVITY BOTTOM EXTENSION		EA	NO LONGER AVAILABLE, Not available online / Call for pricing and availability
11	A2004429	OVEN BOTTOM INSUL. BRACE (VGSC306)		EA	
12	E2104427	BURNER BOX SIDE RH (VGSC306)		EA	NO LONGER AVAILABLE, Not available online / Call for pricing and availability
13	A20010137	30" CAVITY BOTTOM/48" RH BOTTOM		EA	NO LONGER AVAILABLE, Not available online / Call for pricing and availability
14	006197-000	U-SHAPE BAKE BURNER 8"		EA	

VGSC487-4GQ RH OVEN MAIN CAVITY





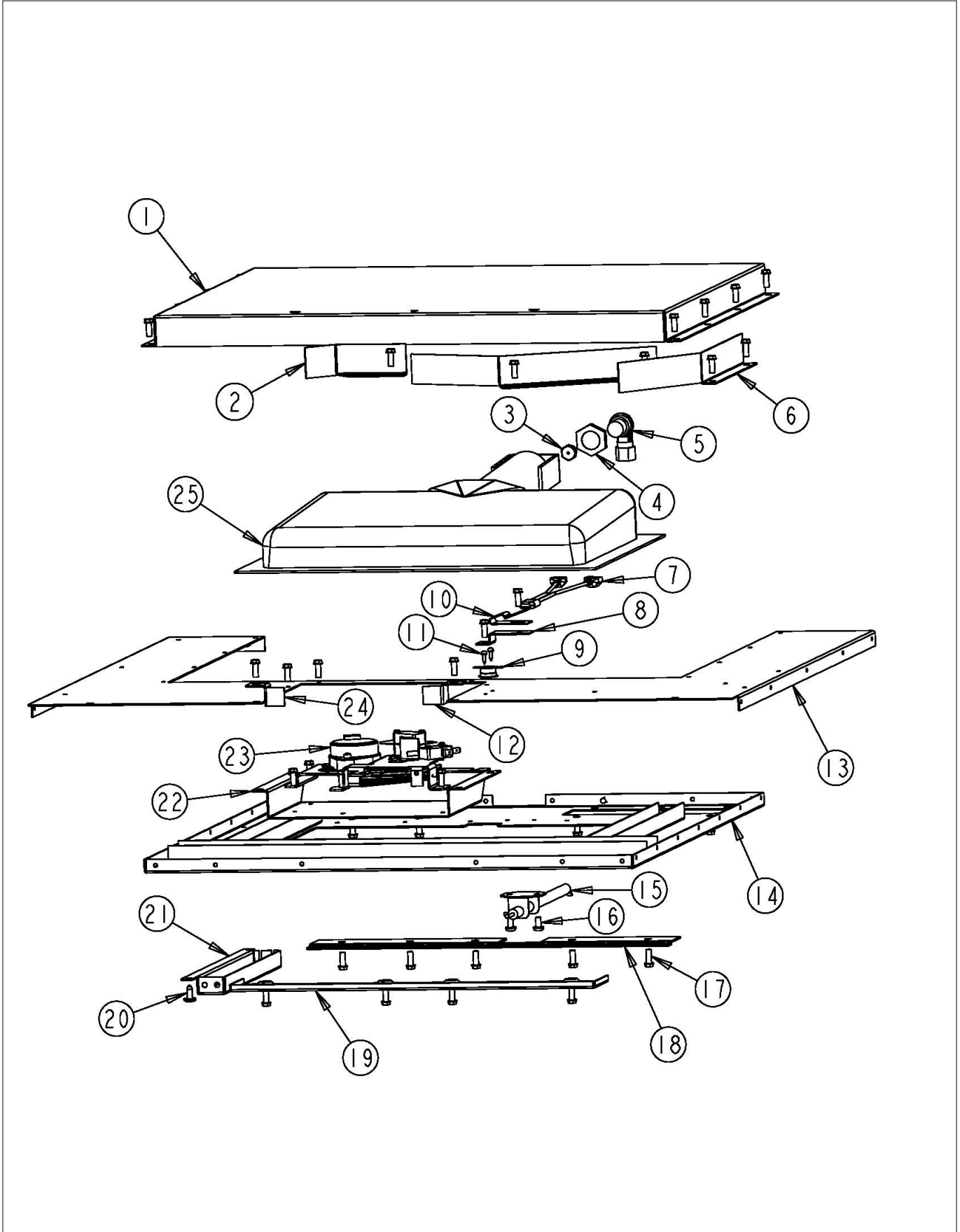
Item	Part No.	Name	Qty	Uom	NOTES
1	E9104405	OVEN BACK (VGSC306)		EA	NO LONGER AVAILABLE
2	A2008467	INSULATION SHIELD		EA	
3	A1002596	CONVECTION FAN COVER (VDSC)		EA	
4	A2002595	CONVECTION FAN BOX (VDSC)		EA	
5	PE050057	CONVECTION FAN (VGSC306)		EA	
6	A2004430	THERMAL BULB SHIELD (VGSC306)		EA	
7	PB060044	OVEN RK VDSC30/48RH REPL PB060019		EA	
8	PE050251	120V 25W HALOGEN APPLIANCE BULB		EA	
9	PE050148	OVEN LIGHT ASSY. W/32" CABLE		EA	
Not Shown	NOTE	Includes Bulb		EA	
10	A2005549	OVEN SIDE INSUL RETAINER R.H.		EA	NO LONGER AVAILABLE, Not available online / Call for pricing and availability
11	G9104438	Oven Bottom Assembly		EA	
NI	A2004439	OVEN BOTTOM SHIELD (VGSC306)		EA	
12	PC020003	HINGE ASSY (BLUE)		EA	
13	G9102521	FRONT FRAME ASSY RH (VDSC48)		EA	
14	PD020073	SRW #10 X 24 X 3/8 WAFER HD TYPE23		EA	
15	PD020033	SRW-#10-24X1/2"(23)PH.WFR HD (NKL)		EA	
16	A2004428	REAR BOTTOM BRCKT (VGSC306)		EA	
17	PB060030	RACK SUPT REPL PB060010		EA	
18	PE050056	OVEN LIGHT ASSY 12V/5W		EA	
Not Shown	NOTE	Includes Bulb		EA	
19	PD020060	10 X 1/2" (5/16)HEX WSHER HD.(T)A		EA	
20	A2005677	OVEN SIDE INSULATION RETAINER RH		EA	





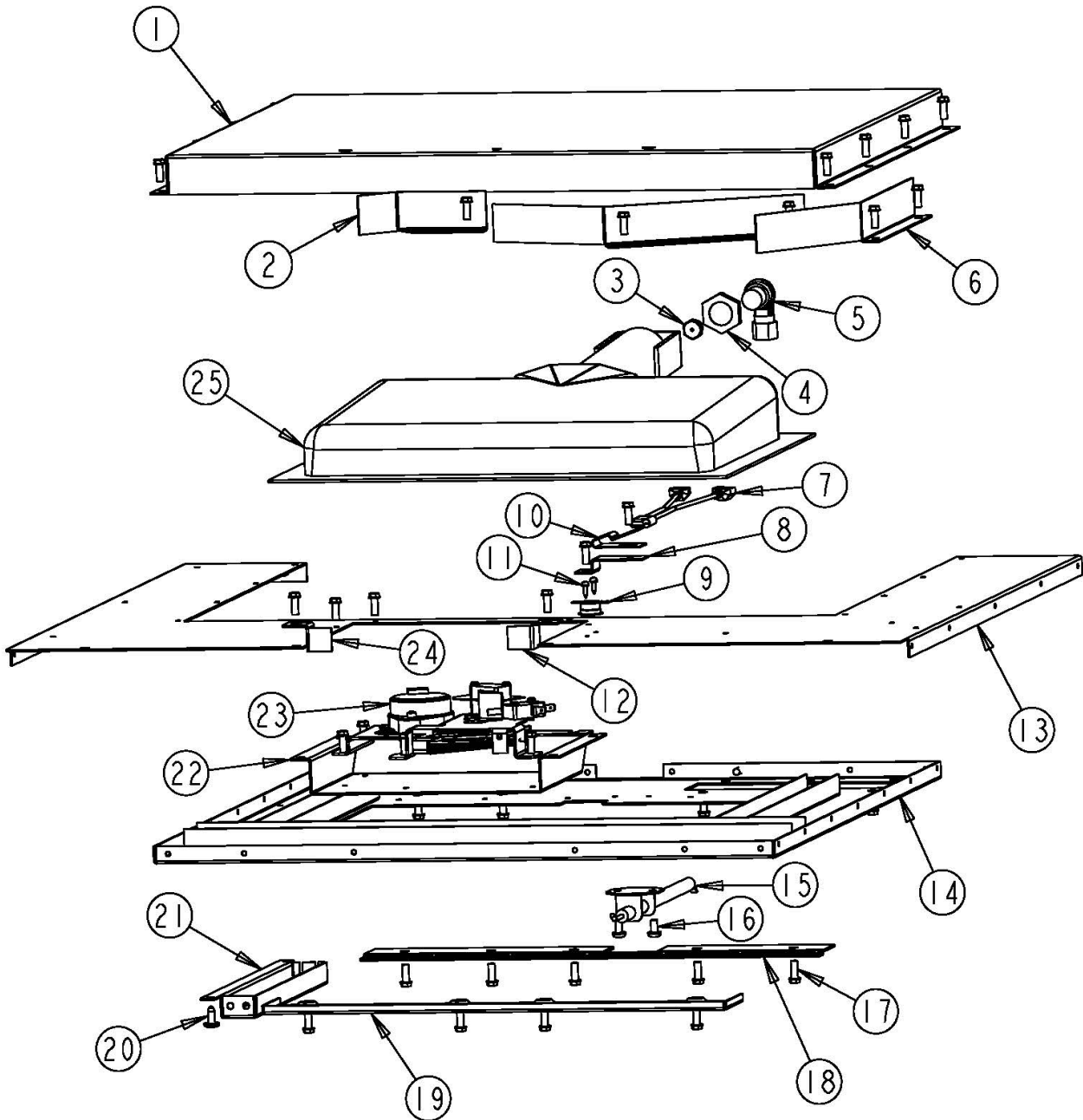
Item	Part No.	Name	Qty	Uom	NOTES
21	G9104453	OVEN SIDE ENAMELED ASSY (VGSC306)		EA	NO LONGER AVAILABLE, Not available online / Call for pricing and availability
22	PD020067	' #6 X 3/8" PAN PHIL. TEK *SS*		EA	
23	E9107933	BROILER PAN		EA	
24	E9107934	BROILER PAN INSERT - NLA		EA	
25	PD020002	10 X 1/2 PH.TR.HD.SMS.		EA	
26	G9104482	CONVECTION FAN COVER ASSY (VGSC306)		EA	
27	G9104491	OVEN TANK WELD ASSY. R.H.		EA	NO LONGER AVAILABLE, Not available online / Call for pricing and availability

VGSC487-4GQ RH OVEN UPPER AREA





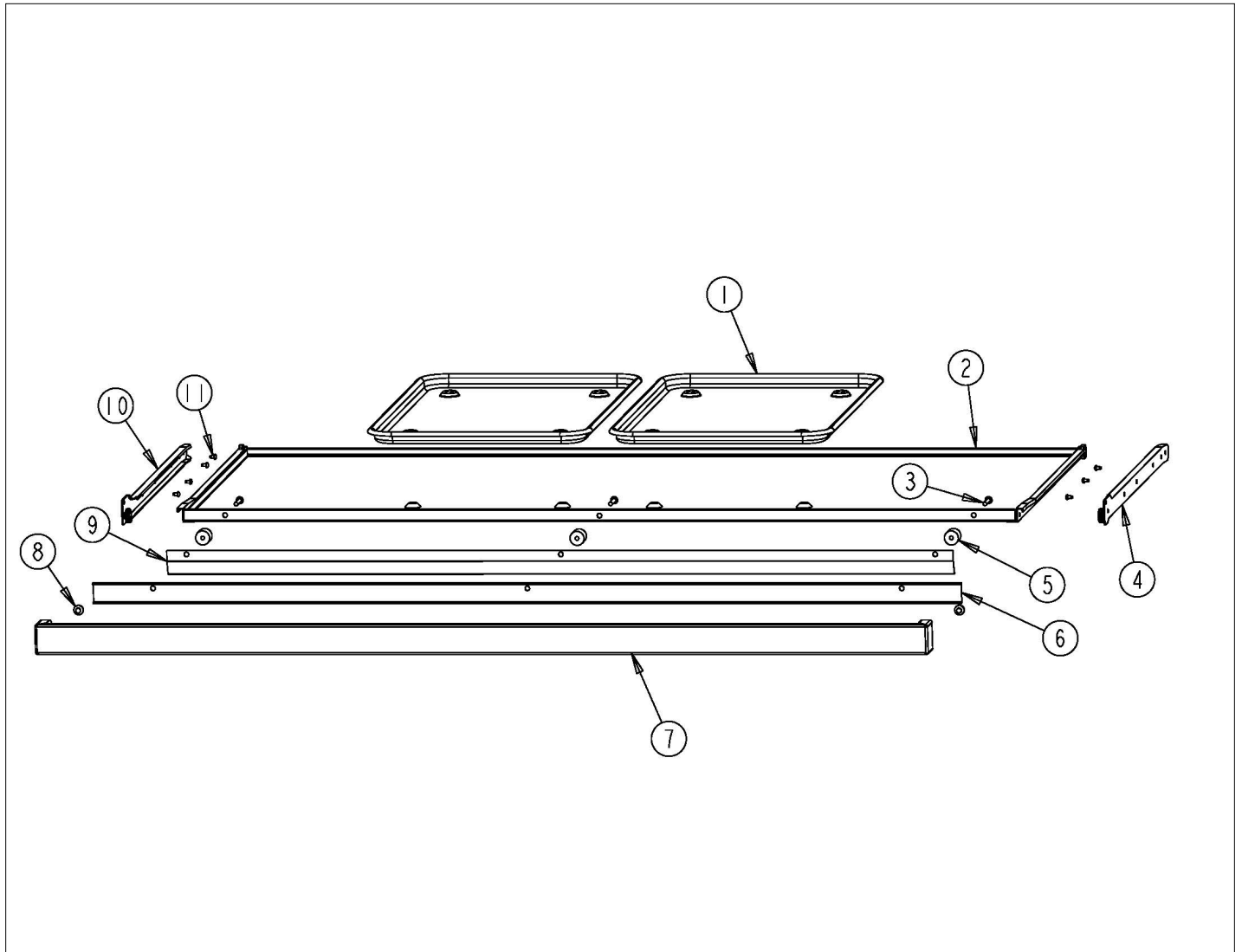
Item	Part No.	Name	Qty	Uom	NOTES
1	A2005561	TOP INSULATION BOX		EA	NO LONGER AVAILABLE, Not available online / Call for pricing and availability
2	A20013315	TOP AIR BAFFLE		EA	NO LONGER AVAILABLE, Not available online / Call for pricing and availability
3	PB040040	ORIFICE-IR BURNER (VGSC)		EA	
Not Shown	PB040027	IR BUR.SPUD ORF. - #56 LP		EA	
4	PD030018	PALNUT - 3/4-16		EA	
5	PB040178	90 DEGREE ORIFICE FITTING (VGSC306)		EA	
6	A2005548	TOP AIR DIVERTER		EA	NO LONGER AVAILABLE, Not available online / Call for pricing and availability
7	PE050059	HI-LIMIT SWITCH		EA	
8	A2005676	VGSC HIGH LIMIT BRACKET		EA	
9	PJ030006	SWITCH (COOLING FAN)		EA	
10	PD030062	.250 HI-LIMIT SWITCH CLAMP(VGSC306)		EA	
11	PD020013	TYPE "AB" #6 X 3/8 PH PAN HD. SMS		EA	
12	A20012914	DOOR GASKET BRACKET RH		EA	NO LONGER AVAILABLE, Not available online / Call for pricing and availability
13	A2005580	TOP INSULATION RETAINER RH		EA	NO LONGER AVAILABLE, Not available online / Call for pricing and availability
14	G9104440	OVEN TOP WELD ASSY (VGSC306)		EA	NO LONGER AVAILABLE
15	PB040171	BROIL IGNITION ELECTRODE		EA	
16	PD020004	10X3/8PH.HD.TYPE 25 REPL PD040125		EA	
17	PD020060	10 X 1/2" (5/16)HEX WSHER HD.(T)A		EA	





Item	Part No.	Name	Qty	Uom	NOTES
18	B2005589	REAR BROILER BRACKET		EA	Not available online / Call for pricing and availability
19	B2001448	IR BROIL SUPT (FRONT)		EA	
20	PD020002	10 X 1/2 PH.TR.HD.SMS.		EA	
21	A2004411	AUTO RESET SHIELD (VGSC306)		EA	Not available online / Call for pricing and availability
22	A2004423	DOOR LOCK BOX (VGSC306)		EA	
23	PE050053	DR LATCH REPL PE050020		EA	
24	A20012913	DOOR GASKET BRACKET LH		EA	NO LONGER AVAILABLE, Not available online / Call for pricing and availability
25	G3001876	IR BURNER ASSY (VGSC/RC) N/S		EA	

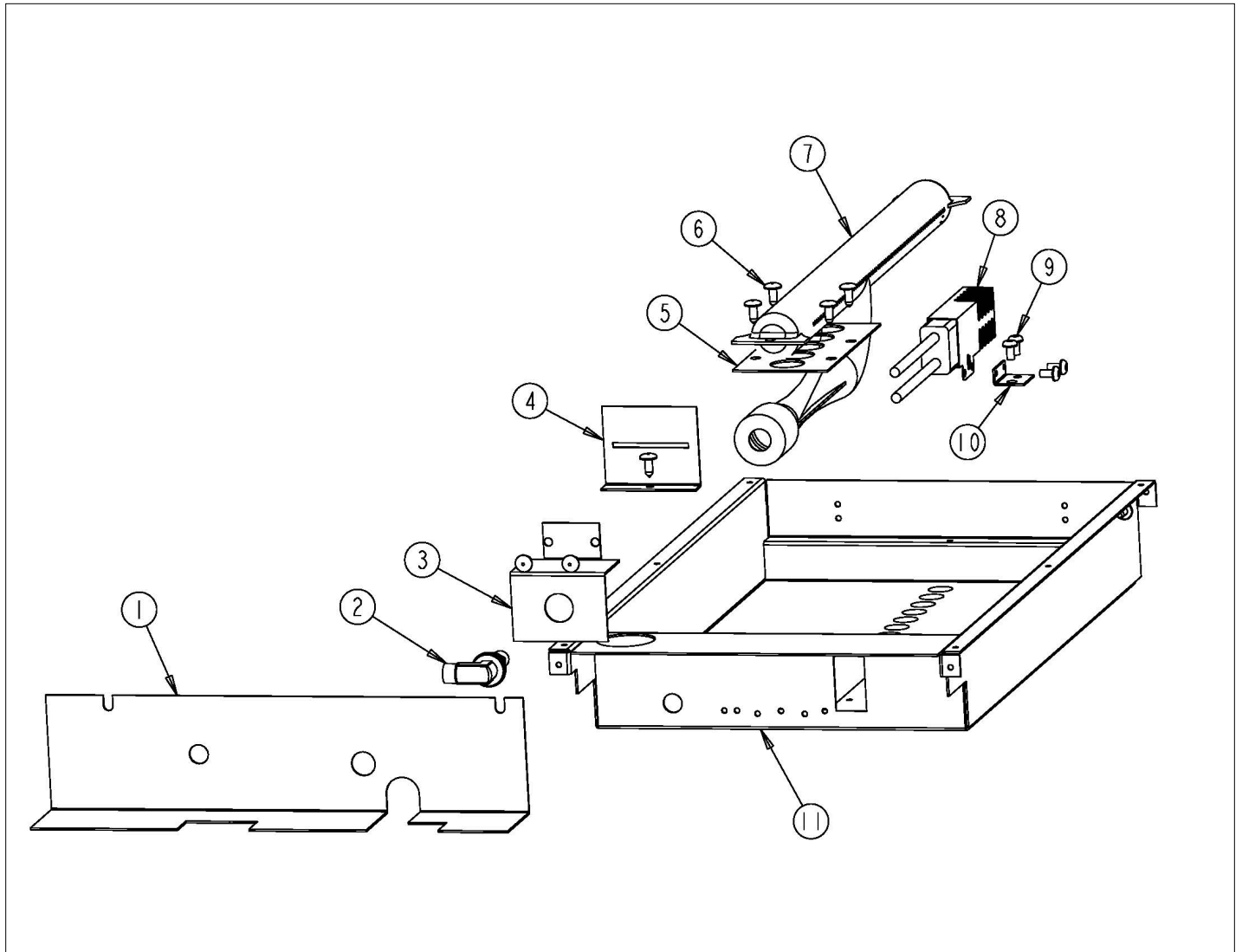
VGSC487-4GQ DRIP TRAY





Item	Part No.	Name	Qty	Uom	NOTES
1	PB080061	GREASE PAN		EA	
2	G30013336	48" DRIP TRAY ASSY. 6Q &4GQ - NLA		EA	
3	PD020079	#10 X 1 1/4 PH. PAN HD. T(A) NYLOK		EA	
4	PK000008	Drip Tray Guide - RH		EA	NO LONGER AVAILABLE
5	PD040028	BUSHING(.194ID/.750OD/.750L ONG)		EA	
6	A20010693	DRIP TRAY HANDLE BACK 48		EA	
7	G30010697	DRIP TRAY HANDLE ASSY 48"		EA	
Not Shown	G93011461PVD	DRIP TRAY HANDLE ASSY 48" PVD - NLA		EA	
8	PD040004	GROMMET BUMPER		EA	
9	B20010152	DRIP TRAY SHIELD, 48"		EA	NO LONGER AVAILABLE
10	PK000007	DRIP TRAY GUIDE - LH (VGRT)		EA	NO LONGER AVAILABLE
11	PD020006	' #6-32 X 1/4" PH.PAN HD. T(F)		EA	

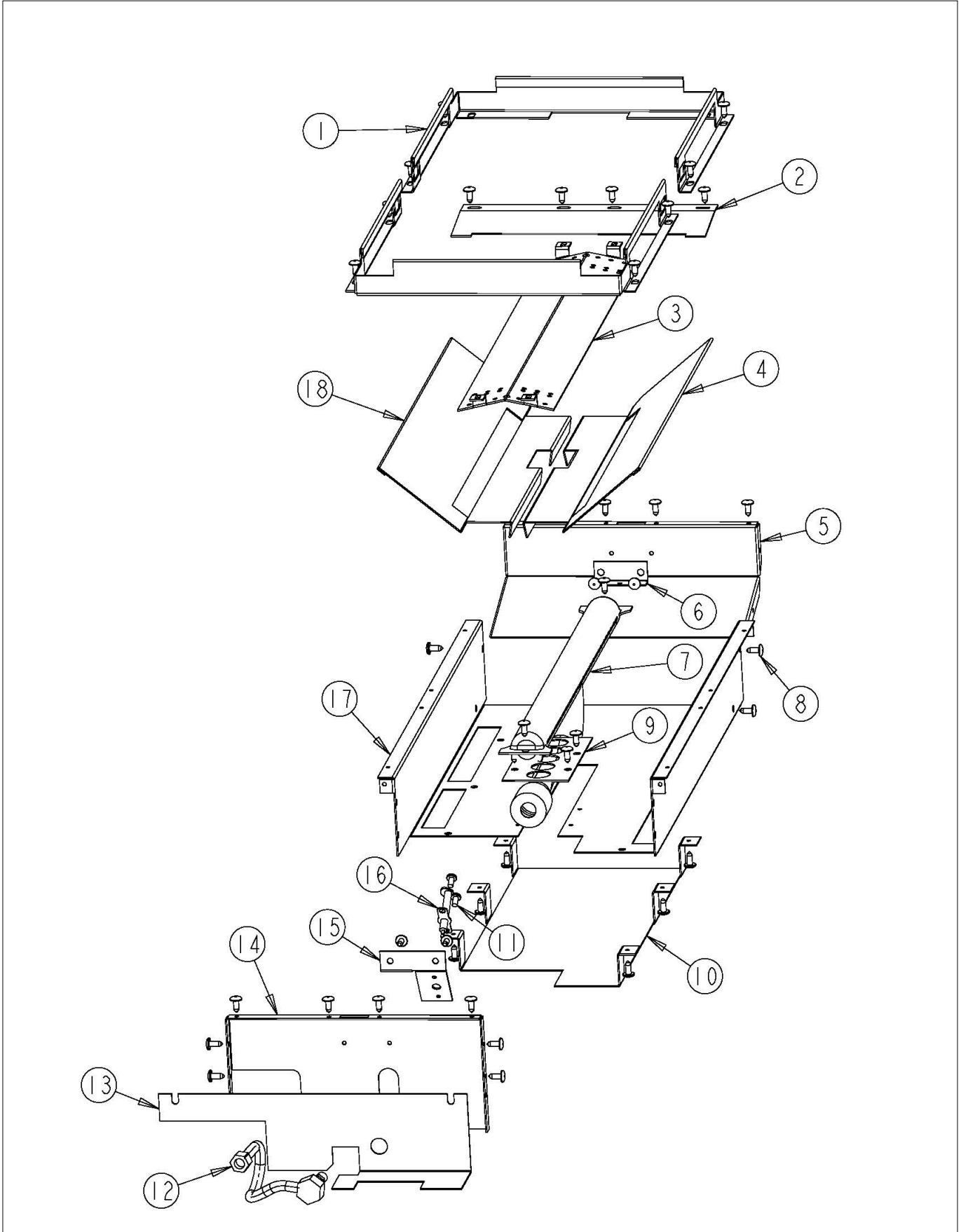
VGSC487-4GQ GRIDDLE SUBASSEMBLY AREA





Item	Part No.	Name	Qty	Uom	NOTES
1	A20010636	48" COMPONENT SHIELD (6G & 4GQ)		EA	NO LONGER AVAILABLE, Not available online / Call for pricing and availability
2	PB040190	90 DEGREE ORIFICE FITTING #50 NAT		EA	
3	A20013326	GRIDDLE ORIFICE BRACKET		EA	NO LONGER AVAILABLE, Not available online / Call for pricing and availability
4	A2009580	Griddle Burner Bracket		EA	
5	A1007861	Griddle Venturi Cover		EA	Not available online / Call for pricing and availability
6	PD020002	10 X 1/2 PH.TR.HD.SMS.		EA	
7	PB050074	Griddle Burner		EA	
8	PB040001	Igniter		EA	
9	PD020004	10X3/8PH.HD.TYPE 25 REPL PD040125		EA	
10	A2001300	Griddle Igniter Bracket		EA	
11	A2007862	Sealed Griddle Box		EA	

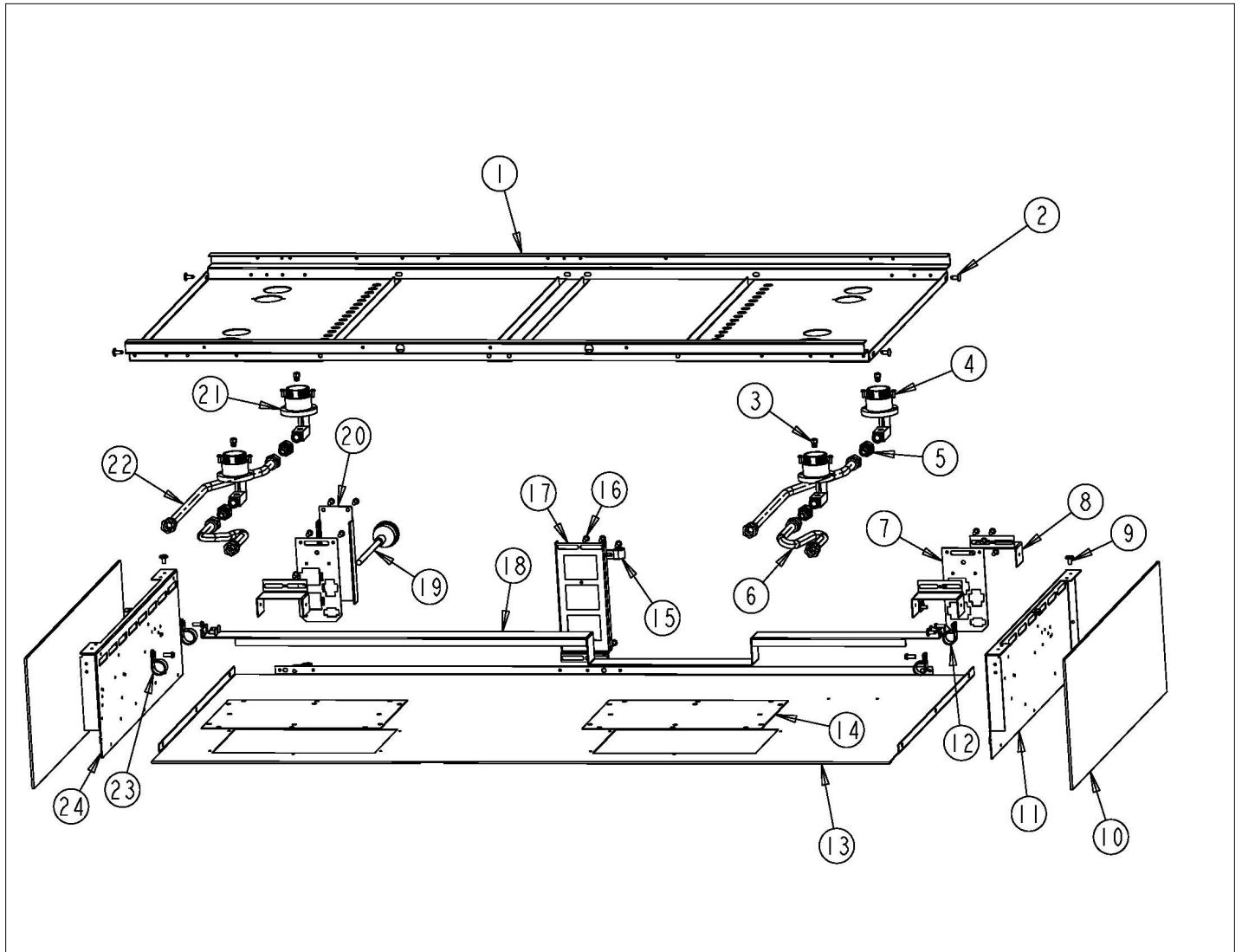
VGSC487-4GQ GRILL SUBASSEMBLY AREA





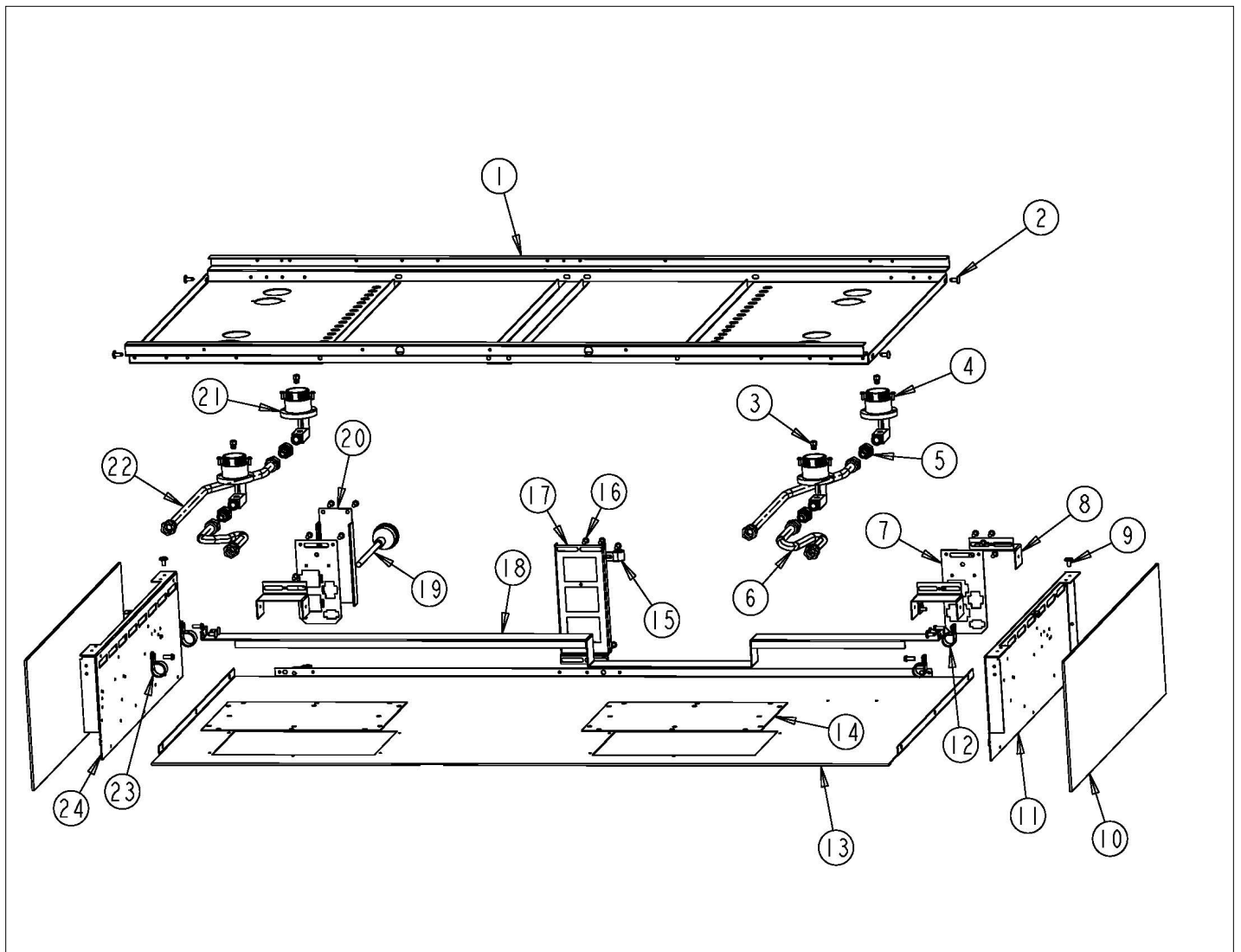
Item	Part No.	Name	Qty	Uom	NOTES
1	A2007871	SHIELD GRATE BRACKET		EA	NO LONGER AVAILABLE
2	A20010162	SHIELD BRACE		EA	
3	G30012657	FLAME SHIELD ASSEMBLY		EA	
4	B20010163	HEAT DEFLECTOR		EA	
5	A2001855	GRILL BACK - (VGRC605)		EA	
6	A2001132	REAR GRILL BURNER BRKT (VGRT)		EA	
7	PB050077	GRILL BURNER		EA	
8	PD020002	10 X 1/2 PH.TR.HD.SMS.		EA	
9	A1007861	Griddle Venturi Cover		EA	Not available online / Call for pricing and availability
10	A2001863	GRILL BTM SHIELD (VGRC605)		EA	
11	PD020004	10X3/8PH.HD.TYPE 25 REPL PD040125		EA	
12	PB020025	TUBING-GRILL (REVISED) REP PB020021		EA	
13	A20010470	Component Shield		EA	
14	A2001631	GRILL BOX FRONT (VGRC)		EA	
15	A2001633	GRILL FRONT SPARKER BRKT (VGRC)		EA	
16	PA020028	SPARK IGNITER		EA	
17	A2007863	GRILL BOX		EA	NO LONGER AVAILABLE, Not available online / Call for pricing and availability
18	B2009846	HEAT DEFLECTOR		EA	

VGSC487-4GQ BURNER BOX INTERIOR AREA





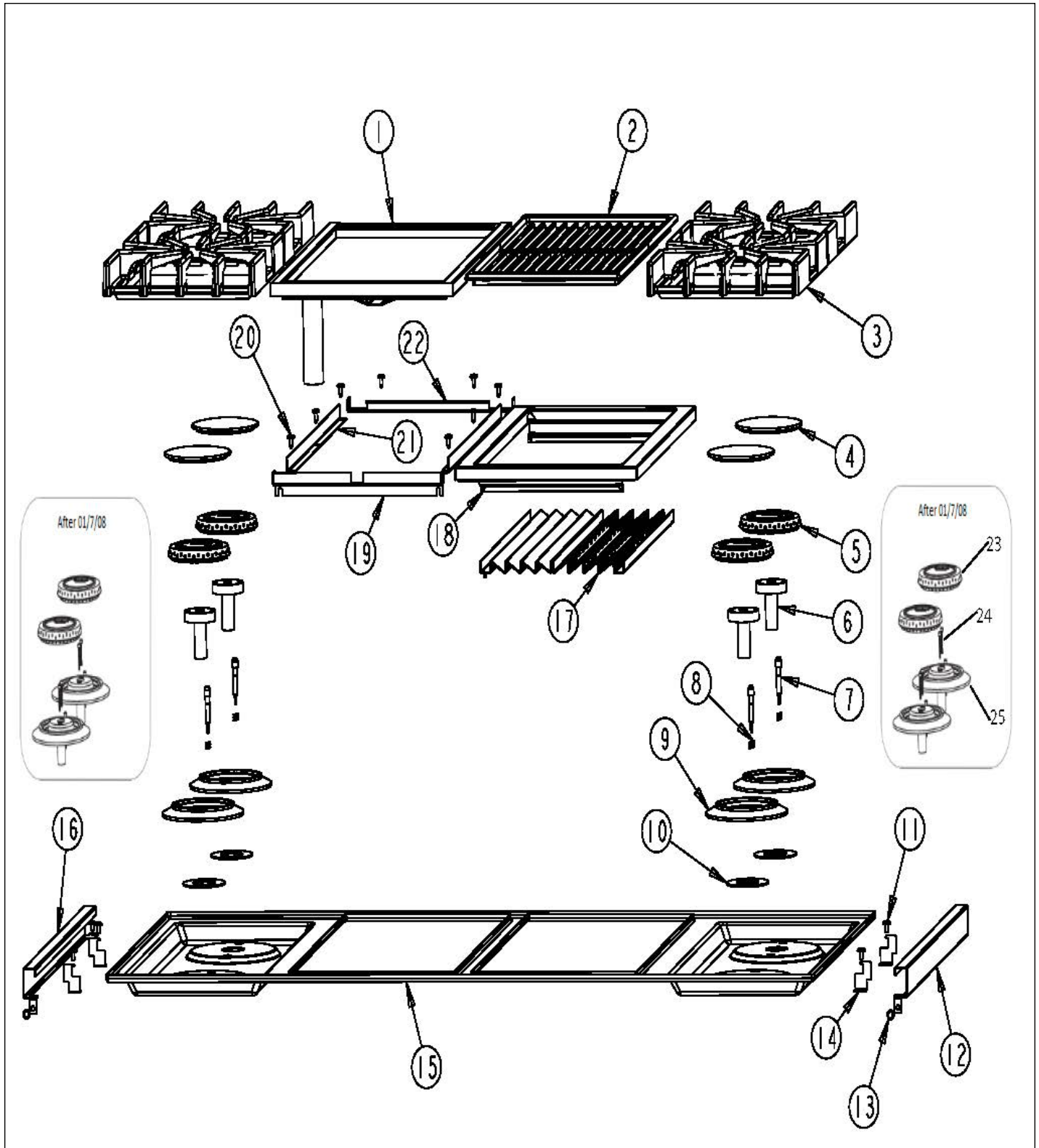
Item	Part No.	Name	Qty	Uom	NOTES
1	A20010184	48" SEALED BURNER SUPPORT	1	EA	
2	PD020002	10 X 1/2 PH.TR.HD.SMS.	1	EA	
3	PB040194	Orifice - Nat.	1	EA	
Not Shown	PB040217	L.P. ORIFICE	1	EA	
4	PD020076	6-32 X 3/8" PHILL PAN MS	1	EA	
5	PA050086	5/8" MALE FLARE FITTING	1	EA	Not available online / Call for pricing and availability
6	PB020192	10" FLEX TUBING W/CONNECTORS	1	EA	
7	A1002492	PLUG BRKT	1	EA	NO LONGER AVAILABLE, Not available online / Call for pricing and availability
8	A20013307	OUTLET COVER	1	EA	NO LONGER AVAILABLE, Not available online / Call for pricing and availability
9	PD020033	SRW-#10-24X1/2"T(23)PH.WFR HD (NKL)	1	EA	
10	PB070140	BOARD INSULATION 8""X24""	1	EA	NO LONGER AVAILABLE, Not available online / Call for pricing and availability
11	A2002544	BURNER BOX SIDE RH (VDSC48)	1	EA	NO LONGER AVAILABLE
12	PD030119	INSULATED CLAMP	1	EA	NO LONGER AVAILABLE, Not available online / Call for pricing and availability
13	A2002539	BURNER BOX INSULATOR SHIELD (VDSC48)	1	EA	NO LONGER AVAILABLE, Not available online / Call for pricing and availability
14	A1006344	DOOR LOCK ACCESS PANEL 48"	1	EA	NO LONGER AVAILABLE
15	PD030118	INSULATED CLAMP	1	EA	
16	PD020060	10 X 1/2" (5/16)HEX WSHER HD.(T)A	1	EA	





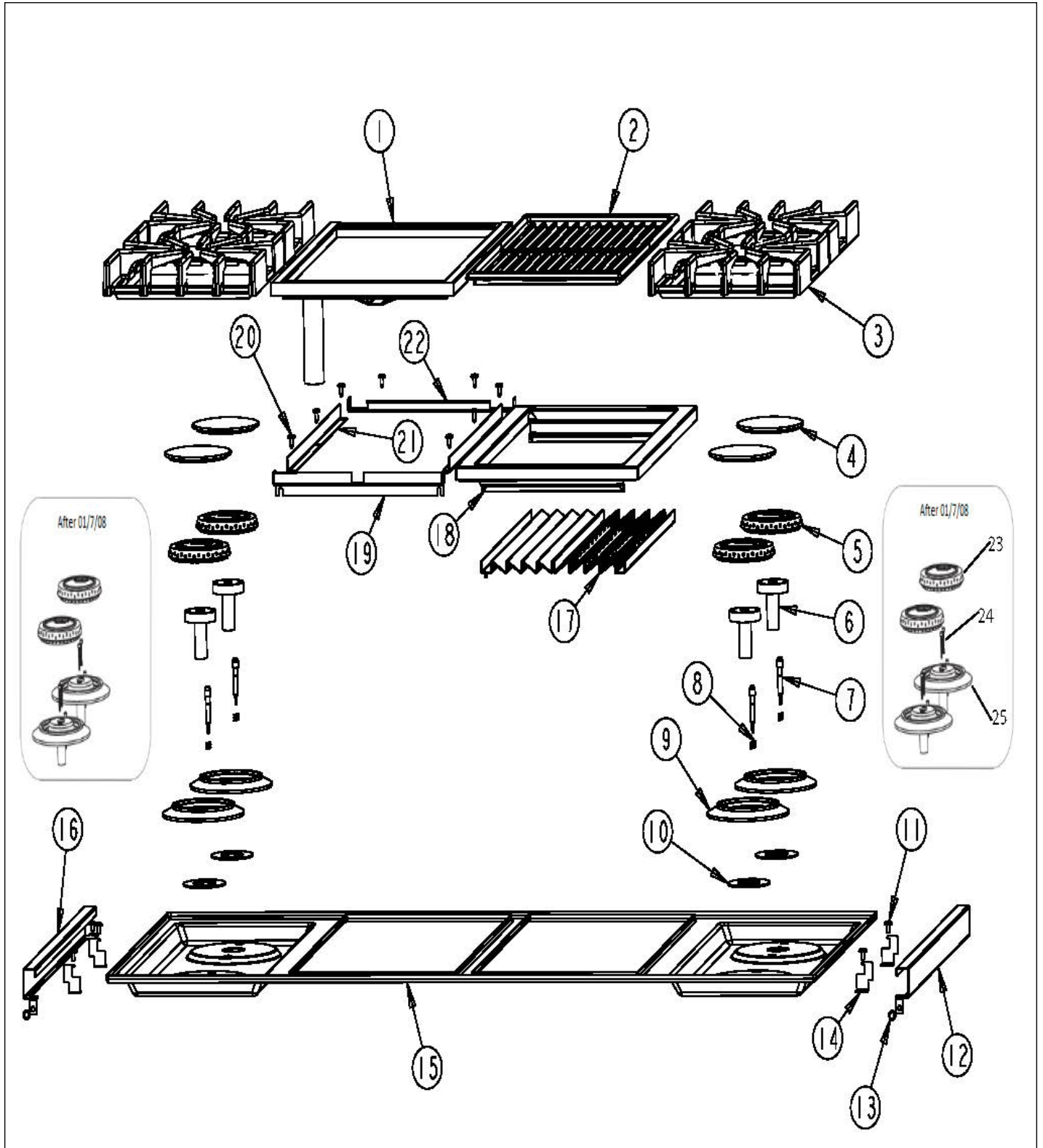
Item	Part No.	Name	Qty	Uom	NOTES
17	A20013319	SUPPORT BRACKET	1	EA	NO LONGER AVAILABLE
18	A20014430	GAS TUBE SUPT. BRACE (VGSC4876Q)	1	EA	NO LONGER AVAILABLE, Not available online / Call for pricing and availability
19	G4008493	SUPPLY CORD ASSY- VGSU	1	EA	
20	A20014424	TERMINAL COVER	1	EA	NO LONGER AVAILABLE, Not available online / Call for pricing and availability
21	PA080075	Burner Body	1	EA	
Not Shown	NOTE	(BEFORE 01/07/08)		EA	
21	001394-042	15000 BTU NAT JETHOLDER	1	EA	
Not Shown	NOTE	(ON OR AFTER 01/07/08)		EA	
22	001394-043	13500 BTU LP JETHOLDER	1	EA	
Not Shown	NOTE	(ON OR AFTER 01/07/08)		EA	
22	PB020193	16" FLEX TUBING W/CONNECTORS	1	EA	
23	PD030109	INSULATED CLAMP	1	EA	
24	A2002545	BURNER BOX SIDE LH (VDSC48)	1	EA	NO LONGER AVAILABLE, Not available online / Call for pricing and availability

VGSC487-4GQ BURNER BOX EXTERIOR AREA



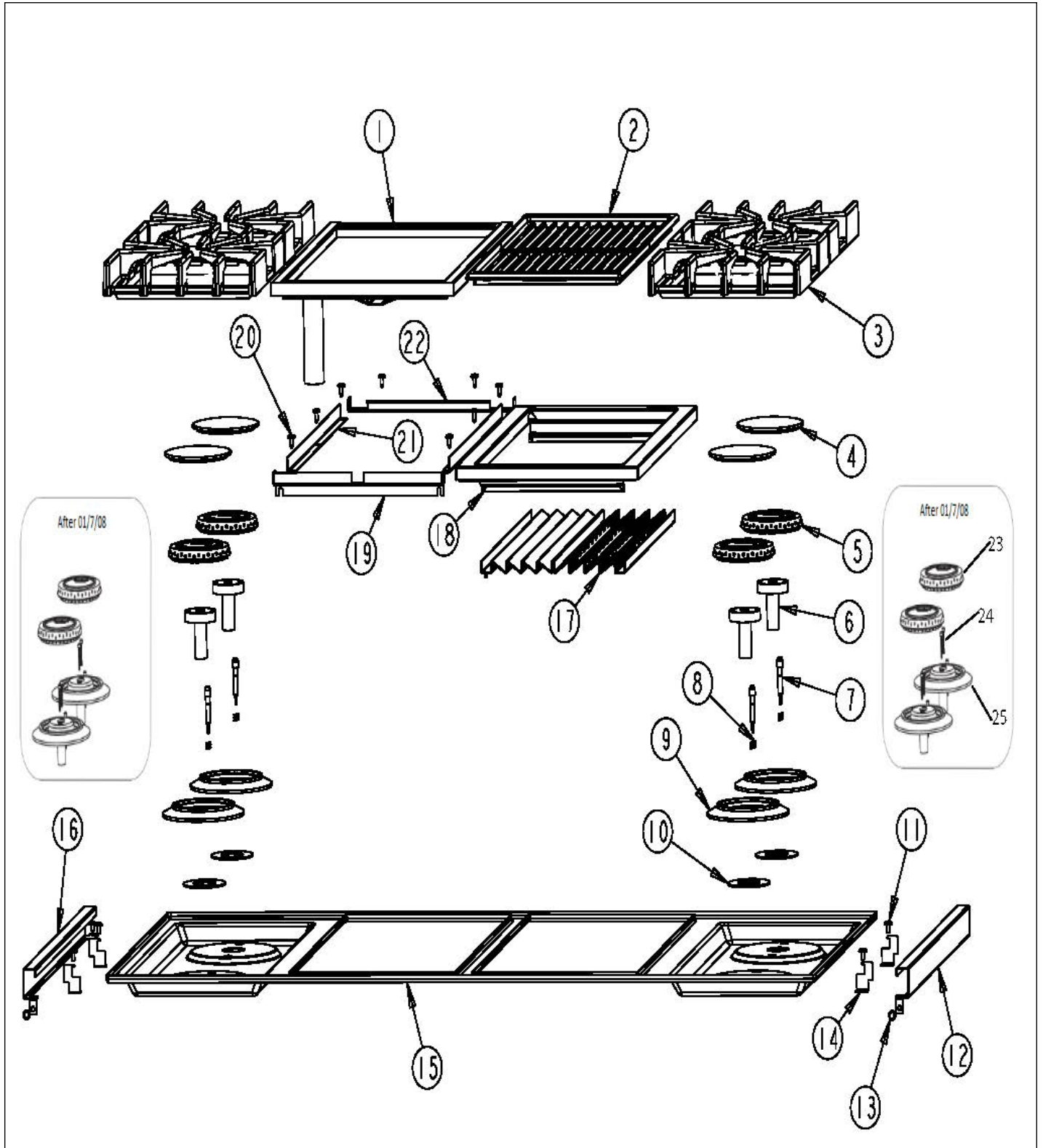


Item	Part No.	Name	Qty	Uom	NOTES
1	003208-000	12" SEALED GRIDDLE FRAME ASSY		EA	
2	PA060058	GRILL GRATE - MATT *BK* RE PA060028		EA	
Not Shown	PA060059	GRILL GRATE -MATT *GR* RE PA060029		EA	
3	PA060054	Burner Grate - BK		EA	
Not Shown	PA060062	Burner Grate - GR		EA	
4	PA080083	D BURNER CAP *MATTE BLACK*		EA	
Not Shown	PA080086	Burner Cap - GR		EA	
5	PB050063	Burner Head		EA	
6	PA010100	Burner Venturi		EA	
Not Shown	NOTE	(BEFORE 01/07/08)		EA	
7	N/A	Igniter		EA	
Not Shown	NOTE	(MUST ORDER ITEM 9)		EA	
8	N/A	Igniter Spring		EA	
Not Shown	NOTE	(MUST ORDER ITEM 9)		EA	
9	N/A	Burner Base		EA	
Not Shown	NOTE	(BEFORE 01/07/08)		EA	
10	N/A	GASKET		EA	
Not Shown	NOTE	(MUST ORDER ITEM 9)		EA	
11	PD020033	SRW-#10-24X1/2"T(23)PH.WFR HD (NKL)		EA	
12	B20012923	Side Trim - RH (SS)		EA	
Not Shown	C93012923BR	Side Trim - RH (BR)		EA	
13	PD020032	SRW-8(A)X3/8"PH.WFR HD 7/16DIA*NICL		EA	
14	A2007858	SIDE TRIM BRKT		EA	
15	E9109803AL	MAIN TOP - 4GQ - AL		EA	Not available online / Call for pricing and availability



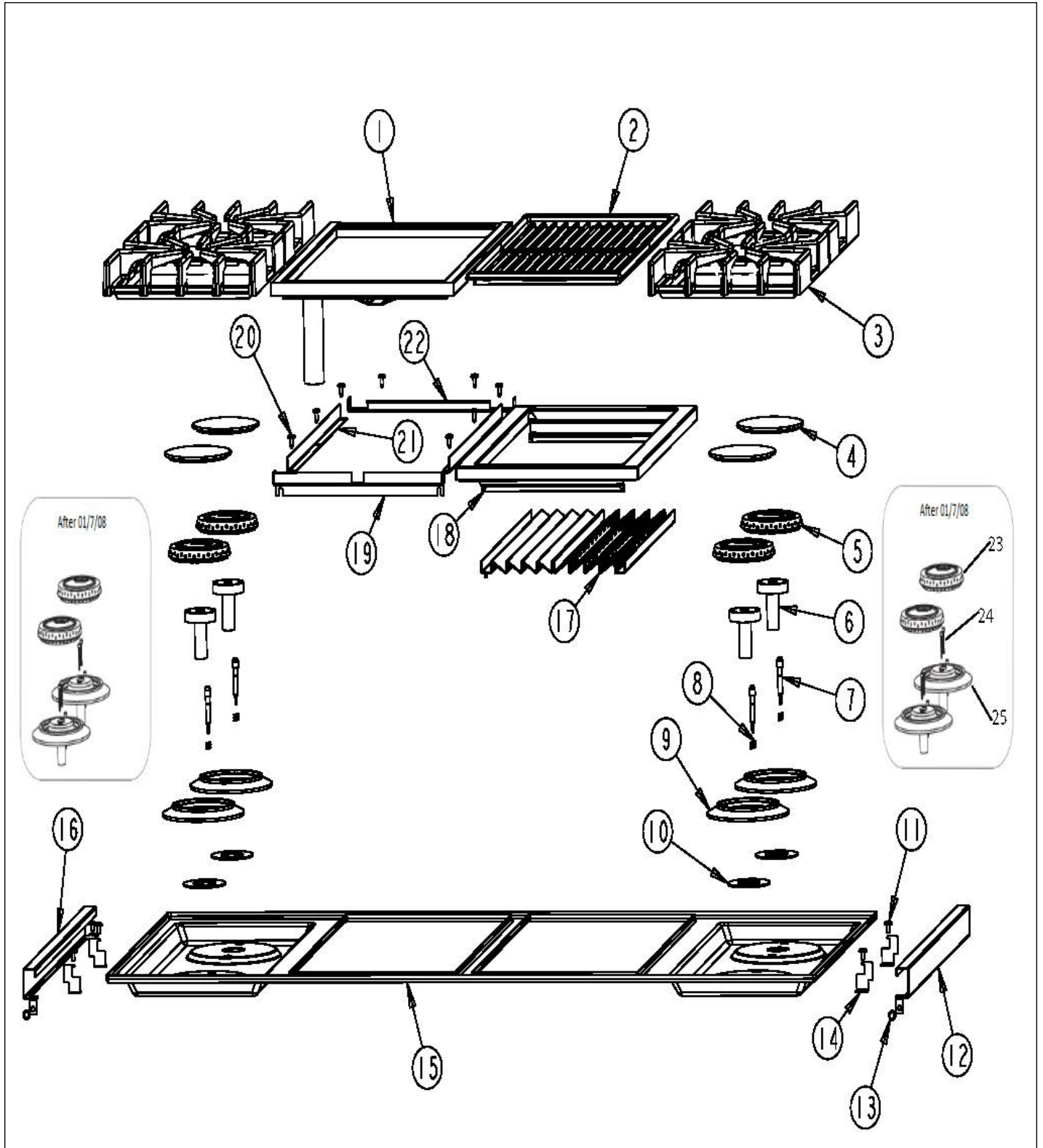


Item	Part No.	Name	Qty	Uom	NOTES
Not Shown	E9109803BK	48" SEALED COOKTOP 4BGQ *BK*		EA	
Not Shown	E9109803BT	MAIN TOP - 4GQ - BT		EA	Not available online / Call for pricing and availability
Not Shown	E9109803CB	MAIN TOP - 4GQ - CB		EA	Not available online / Call for pricing and availability
Not Shown	E9109803EP	MAIN TOP - 4GQ - EP		EA	Not available online / Call for pricing and availability
Not Shown	E9109803FG	MAIN TOP - 4GQ - FG		EA	Not available online / Call for pricing and availability
Not Shown	E9109803GG	MAIN TOP - 4GQ - GG		EA	Not available online / Call for pricing and availability
Not Shown	E9109803LE	MAIN TOP - 4GQ - LE		EA	Not available online / Call for pricing and availability
Not Shown	E9109803MJ	MAIN TOP - 4GQ - MJ		EA	Not available online / Call for pricing and availability
Not Shown	E9109803SG	MAIN TOP - 4GQ - SG		EA	Not available online / Call for pricing and availability
Not Shown	E9109803VB	MAIN TOP - 4GQ - VB		EA	Not available online / Call for pricing and availability
Not Shown	E9109803WH	48" SEALED COOKTOP 4BGQ *WH*		EA	NO LONGER AVAILABLE
16	B20012924	Side Trim - LH (SS)		EA	
Not Shown	C93012924BR	Side Trim - LH (BR)		EA	
17	E9101130BK	GRILL SMOKE GENERATOR		EA	
18	G9109808	GRILL SUPPORT ASSY *BK*		EA	
Not Shown	G9109808AL	GRILL GRATE SUPPORT ASSEMBLY - AL		EA	Not available online / Call for pricing and availability





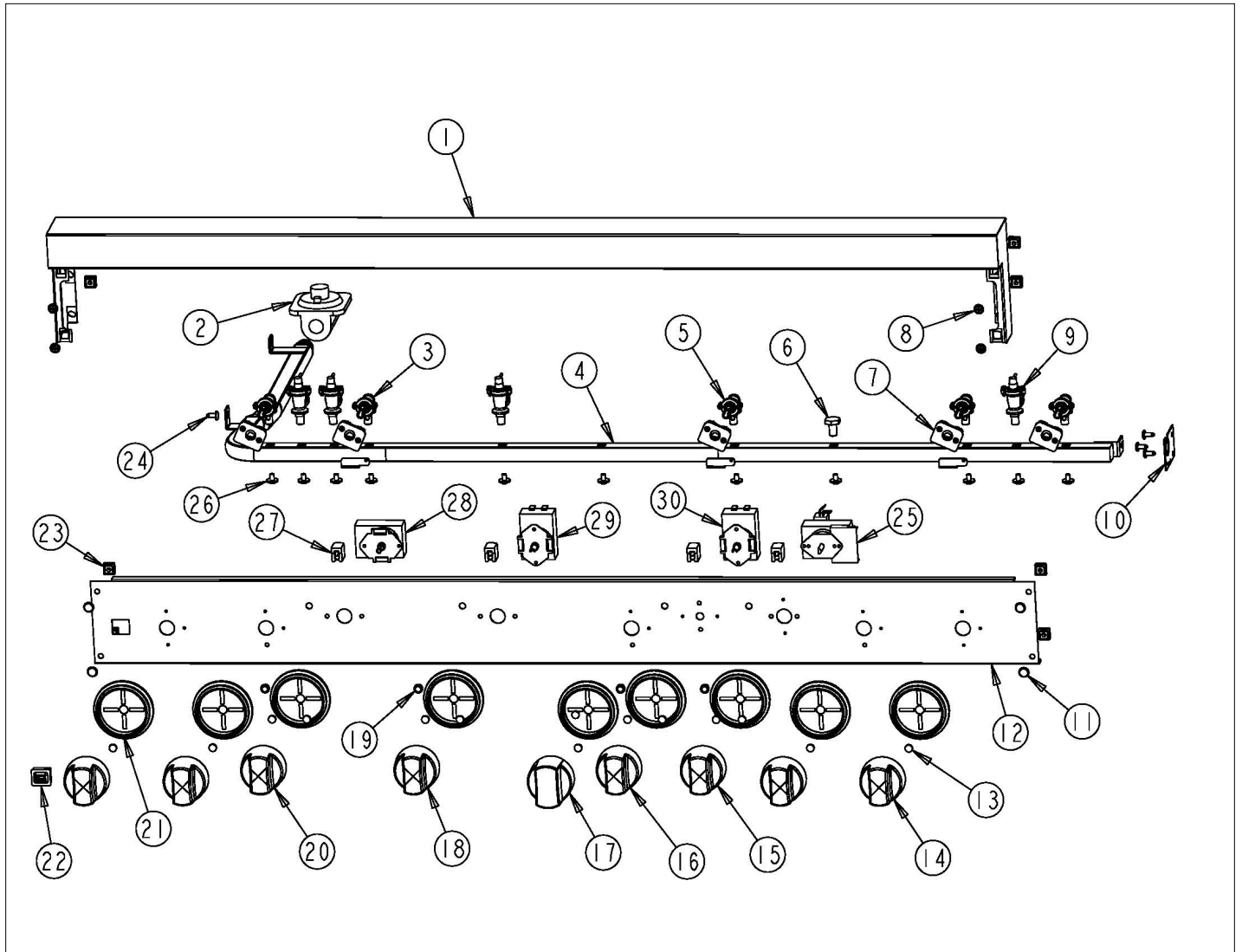
Item	Part No.	Name	Qty	Uom	NOTES
Not Shown	G9109808BT	GRILL GRATE SUPPORT ASSEMBLY - BT		EA	Not available online / Call for pricing and availability
Not Shown	G9109808CB	GRILL GRATE SUPPORT ASSEMBLY - CB		EA	
Not Shown	G9109808EP	GRILL GRATE SUPPORT ASSEMBLY - EP		EA	Not available online / Call for pricing and availability
Not Shown	G9109808FG	GRILL GRATE SUPPORT ASSEMBLY - FG		EA	Not available online / Call for pricing and availability
Not Shown	G9109808GG	GRILL GRATE SUPPORT ASSEMBLY - GG		EA	Not available online / Call for pricing and availability
Not Shown	G9109808LE	GRILL GRATE SUPPORT ASSEMBLY - LE		EA	Not available online / Call for pricing and availability
Not Shown	G9109808MJ	GRILL GRATE SUPPORT ASSEMBLY - MJ		EA	Not available online / Call for pricing and availability
Not Shown	G9109808SG	GRILL GRATE SUPPORT ASSEMBLY - SG		EA	Not available online / Call for pricing and availability
Not Shown	G9109808VB	GRILL GRATE SUPPORT ASSEMBLY - VB		EA	Not available online / Call for pricing and availability
Not Shown	G9109808WH	GRILL SUPPORT ASSY *WH*		EA	NO LONGER AVAILABLE
19	A2007866	GRIDDLE FLUE COVER (VGIC3674G)		EA	
20	PD020002	10 X 1/2 PH.TR.HD.SMS.		EA	
21	A20010657	GRIDDLE BOX FLANGE		EA	
22	A20014427	BURNER SUPPORT PLATE		EA	NO LONGER AVAILABLE, Not available online / Call for pricing and availability
23	018200-000	ADJUSTED SEALED BURNER HEAD		EA	
24	009197-000	#6-32 X 5/8 18-8 SS NC SOC CAP		EA	





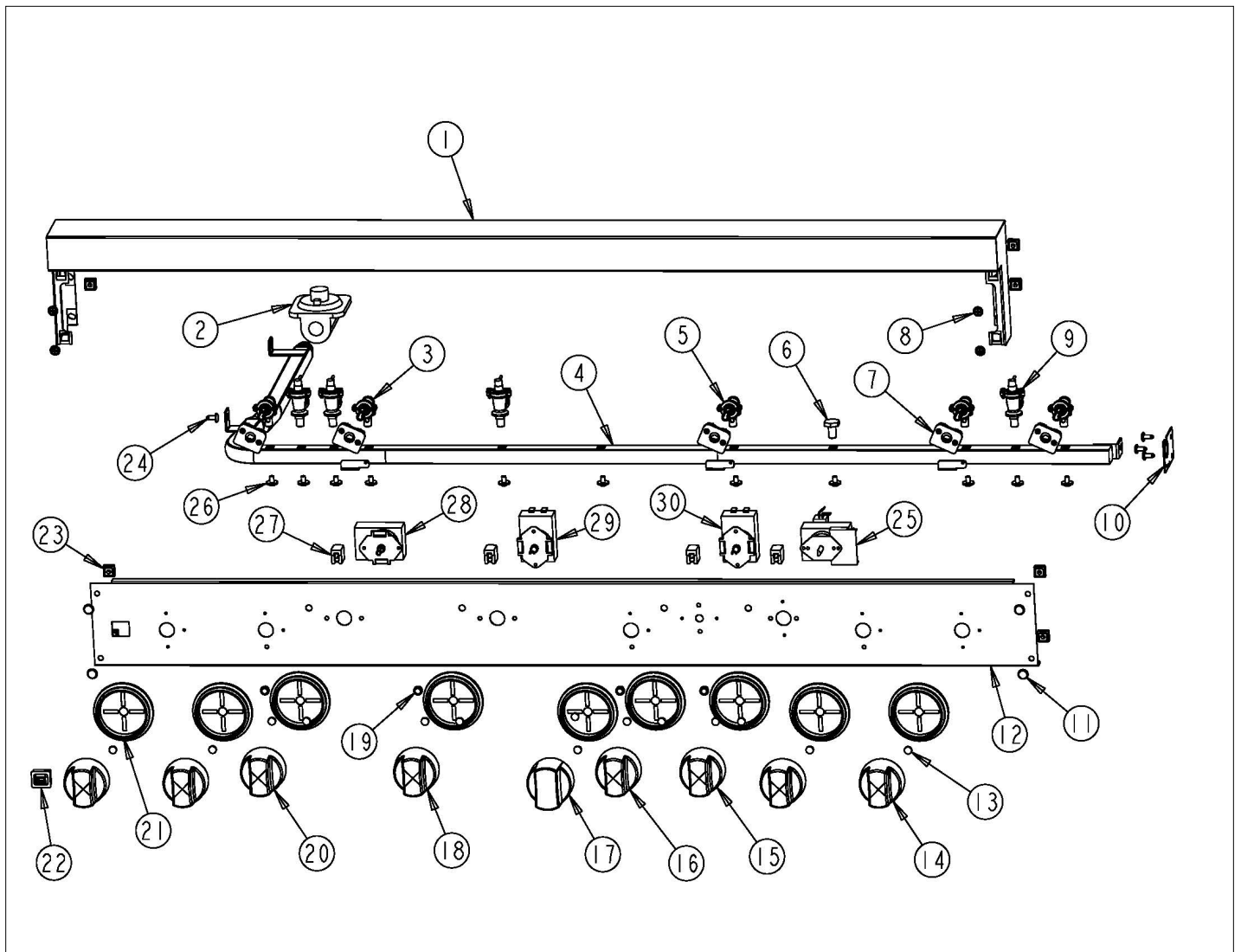
Item	Part No.	Name	Qty	Uom	NOTES
25	003322-040	SEALED BURNER BASE, TURNED FINISH		EA	

VGSC487-4GQ CONTROL PANEL AREA





Item	Part No.	Name	Qty	Uom	NOTES
1	G3009843	SEALED LANDING LEDGE ASSY 48"		EA	
2	PA070003	PRESSURE REGULATOR		EA	
3	003517-000	PA010158 VALVE AND BOLT KIT		EA	
4	002569-000	UNIVERSAL 48" MANIFOLD		EA	
5	PA010185	GRILL VALVE - NLA		EA	
6	PA010012	ROPER PLUG		EA	
7	PA020045	Spark Ignition Switch		EA	
8	PD020073	SRW #10 X 24 X 3/8 WAFER HD TYPE23		EA	
9	PB030007	SHUTOFF VALVE ASSY		EA	
10	A1001138	MANIFOLD BRKT		EA	NO LONGER AVAILABLE, Not available online / Call for pricing and availability
11	PD020033	SRW-#10-24X1/2"T(23)PH.WFR HD (NKL)		EA	
12	B9205595	VGSC4864GQ CONTROL PANEL		EA	
13	PD020044	#8-32 X 1/4" PH. TR. HD. M.S.		EA	
14	PB010206	TOP BURNER KNOB BK		EA	
Not Shown	PB010207	TOP BURNER KNOB WH		EA	Not available online / Call for pricing and availability
15	PB010187	THERMOSTAT KNOB SELF CLEAN *BK*		EA	
Not Shown	PB010188	THERMOSTAT KNOB SELF CLEAN *WH*		EA	NO LONGER AVAILABLE
16	PA010080	SELECTOR KNOB SELF CLEAN *BK*		EA	
Not Shown	PA010081	SELECTOR KNOB SELF CLEAN *WH*		EA	
17	PA010039	TOP GRILL KNOB*BK* (VGRC) (N/STYLE)		EA	
Not Shown	PA010040	TOP GRILL KNOB*WH* (VGRC) (N/STYLE)		EA	
18	PB010103	GRIDDLE KNOB N/S *BK*		EA	
Not Shown	PB010104	GRIDDLE KNOB N/S *WH*		EA	





Item	Part No.	Name	Qty	Uom	NOTES
19	PE050023	OVEN IND. LIGHT (LENS & BEZEL)		EA	
20	PB010101	THERMOSTAT BAKE KNOB N/S *BK*		EA	
Not Shown	PB010102	THERMOSTAT BAKE KNOB N/S *WH*		EA	NO LONGER AVAILABLE
21	050172-000	BEZEL, KNOB		EA	
Not Shown	PB010209	Bezel - BR		EA	
22	PE050016	OVEN LIGHT SWITCH - *BK* (WES-GAR)		EA	
Not Shown	PE050017	OVEN LIGHT SWITCH - *WH* (WES-GAR)		EA	
23	PD030005	SELF RETAINING NUT		EA	
24	PD020002	10 X 1/2 PH.TR.HD.SMS.		EA	
25	PB010186	EK39 THERMOSTAT (SELF-CLEAN)		EA	
26	PD010012	1/4 x 3/8 VALVE BOLT		EA	
27	PE050024	OVEN IND. LIGHT (LIGHT HOUSING)		EA	
<p>Comments for Part Num. PE050024</p> <p>haarnink@vikingrange.com on Jan 14, 2019</p> <p>please note that the indicator light is now part 043135-000 but needs the Jumper harness 051443-000. and second option there are units in the field with a 230V indicator light part number 036566-000.</p> <p>please check this for all "E" module ranges/Tops</p>					
28	PB010035	THERMOSTAT BAKE / GRIDDLE		EA	
29	PB010264	GRIDDLE THERMOSTAT		EA	
30	PJ030015	6 POS. SELECTOR SWITCH		EA	NO LONGER AVAILABLE



Appendix A:Pages Index

VGSC487-4GQ BURNER BOX EXTERIOR AREA 21

VGSC487-4GQ BURNER BOX INTERIOR AREA . 20

VGSC487-4GQ CONTROL PANEL AREA 22

VGSC487-4GQ DRIP TRAY 17

VGSC487-4GQ FLUE AND BACK AREA8

VGSC487-4GQ GRIDDLE SUBASSEMBLY AREA 18

VGSC487-4GQ GRILL SUBASSEMBLY AREA ... 19

VGSC487-4GQ LH DOOR ASSEMBLY 7

VGSC487-4GQ LH OVEN LOWER CAVITY 11

VGSC487-4GQ LH OVEN MAIN CAVITY AREA .. 12

VGSC487-4GQ LH OVEN UPPER AREA 13

VGSC487-4GQ LOWER UNIT AND SIDE PANELS
10

VGSC487-4GQ REAR ELECTRONICS 9

VGSC487-4GQ REAR MAIN HARNESS 1

VGSC487-4GQ RH DOOR ASSEMBLY6

VGSC487-4GQ RH OVEN LOWER CAVITY AREA
14

VGSC487-4GQ RH OVEN MAIN CAVITY 15

VGSC487-4GQ RH OVEN UPPER AREA 16

VGSC487-4GQ SIMPLE HARNESES1 4

VGSC487-4GQ SIMPLE HARNESES2 3

VGSC487-4GQ SIMPLE WIRING 5

VGSC487-4GQ TOP HARNESS 2



Appendix B:Parts Index

000268-000	6, 7	A20013315	16
000623-000	6, 7	A20013316	11, 14
001394-042	20	A20013318	8, 13
001394-043	20	A20013319	20
002569-000	22	A20013326	18
003208-000	21	A20014424	20
003322-040	21	A20014427	21
003517-000	22	A20014430	20
006197-000	14	A2001631	19
009197-000	21	A2001633	19
018200-000	21	A2001855	19
019503-000	10	A2001863	19
031445-403	12	A2002169	6
050172-000	22	A2002189	6, 7
068456-000	14	A2002367	6
068457-000	11	A2002482	10
A1001138	22	A2002497	6
A1002456	9	A2002498	6, 7
A1002492	20	A2002499	6, 7
A1002596	15	A2002500	10
A1005571	11	A2002501	10
A1005678	13	A2002539	20
A1005686	8	A2002544	20
A1006344	20	A2002545	20
A1007861	18, 19	A2002595	15
A20010137	14	A2004411	16
A20010139	11	A2004423	16
A20010162	19	A2004424	14
A20010184	20	A2004428	12, 15
A20010470	19	A2004429	11, 14
A20010636	18	A2004430	15
A20010657	21	A2004434	14
A20010693	17	A2004439	14, 15
A2001132	19	A2004452	14
A20012192	6	A2004458	9
A20012913	16	A2004464	8
A20012914	16	A2004468	8
A20012922	11	A2004469	8
A2001300	18	A2004470	8
A20013307	20	A2004481	10
		A2005414	9



A2005545	9	B9205595	22
A2005548	16	C90010179AL	10
A2005549	15	C90010179BK	10
A2005550	12	C90010179BT	10
A2005560	13	C90010179BU	10
A2005561	16	C90010179CB	10
A2005576	12, 13	C90010179EP	10
A2005577	12	C90010179FG	10
A2005578	8	C90010179GG	10
A2005579	11	C90010179LE	10
A2005580	16	C90010179MJ	10
A2005582	8	C90010179SG	10
A2005583	8	C90010179VB	10
A2005584	10	C90010179WH	10
A2005665	11	C90010180AL	10
A2005676	16	C90010180BK	10
A2005677	15	C90010180BT	10
A2005685	8	C90010180BU	10
A2007858	21	C90010180CB	10
A2007862	18	C90010180EP	10
A2007863	19	C90010180FG	10
A2007866	21	C90010180GG	10
A2007871	19	C90010180LE	10
A2007942	7	C90010180MJ	10
A2007943	6	C90010180SG	10
A2008467	15	C90010180VB	10
A2009580	18	C90010180WH	10
B20010152	17	C9001241AL	10
B20010163	19	C9001241BK	10
B20010179	10	C9001241BT	10
B20010180	10	C9001241BU	10
B2001241	10	C9001241CB	10
B20012923	21	C9001241EP	10
B20012924	21	C9001241FG	10
B2001448	16	C9001241GG	10
B2002504	7	C9001241LE	10
B2002528	6	C9001241MJ	10
B2004415	14	C9001241SG	10
B2005589	16	C9001241VB	10
B2005683	12	C9001241WH	10
B2009846	19	C9002504AL	7



C9002504BK	7	E2104427	11, 14
C9002504BT	7	E9101130BK	21
C9002504BU	7	E9102668	7
C9002504CB	7	E9104405	15
C9002504EP	7	E9105566	13
C9002504FG	7	E9105572	12
C9002504GG	7	E9107933	15
C9002504LE	7	E9107934	15
C9002504MJ	7	E9109803AL	21
C9002504SG	7	E9109803BK	21
C9002504VB	7	E9109803BT	21
C9002504WH	7	E9109803CB	21
C9002528AL	6	E9109803EP	21
C9002528BK	6	E9109803FG	21
C9002528BT	6	E9109803GG	21
C9002528BU	6	E9109803LE	21
C9002528CB	6	E9109803MJ	21
C9002528EP	6	E9109803SG	21
C9002528FG	6	E9109803VB	21
C9002528GG	6	E9109803WH	21
C9002528LE	6	G30010697	17
C9002528MJ	6	G30012657	19
C9002528SG	6	G30013336	17
C9002528VB	6	G3001876	16
C9002528WH	6	G3004414	8
C9005683AL	12	G3004444	8
C9005683BK	12	G3005680	8
C9005683BT	12	G3009843	22
C9005683BU	12	G3202549AL	6
C9005683CB	12	G3202549ALBR	6
C9005683EP	12	G3202549BK	6
C9005683FG	12	G3202549BKBR	6
C9005683GG	12	G3202549BT	6
C9005683LE	12	G3202549BTBR	6
C9005683MJ	12	G3202549BU	6
C9005683SG	12	G3202549BUBR	6
C9005683VB	12	G3202549CB	6
C9005683WH	12	G3202549CBBR	6
C93012923BR	21	G3202549EP	6
C93012924BR	21	G3202549EPBR	6
E20013325	8	G3202549FG	6



G3202549FGBR	6	G3205671VBBR	7
G3202549GG	6	G3205671WH	7
G3202549GGBR	6	G3205671WHBR	7
G3202549LE	6	G40013897	5
G3202549LEBR	6	G4001656	5
G3202549MJ	6	G4008493	20
G3202549MJBR	6	G9102521	15
G3202549SG	6	G9102745	6
G3202549SGBR	6	G9102747	6
G3202549SS	6	G9104438	15
G3202549SSBR	6	G9104440	16
G3202549VB	6	G9104453	15
G3202549VBBR	6	G9104482	15
G3202549WH	6	G9104491	15
G3202549WHBR	6	G9105564	12
G3205588	12	G9105565	12
G3205671AL	7	G9105574	12
G3205671ALBR	7	G9109808	21
G3205671BK	7	G9109808AL	21
G3205671BKBR	7	G9109808BT	21
G3205671BT	7	G9109808CB	21
G3205671BTBR	7	G9109808EP	21
G3205671BU	7	G9109808FG	21
G3205671BUBR	7	G9109808GG	21
G3205671CB	7	G9109808LE	21
G3205671CBBR	7	G9109808MJ	21
G3205671EP	7	G9109808SG	21
G3205671EPBR	7	G9109808VB	21
G3205671FG	7	G9109808WH	21
G3205671FGBR	7	G93011461PVD	17
G3205671GG	7	H9102507	7
G3205671GGBR	7	H9105672	7
G3205671LE	7	J1002506	7
G3205671LEBR	7	J1002594	6
G3205671MJ	7	PA010012	22
G3205671MJBR	7	PA010039	22
G3205671SG	7	PA010040	22
G3205671SGBR	7	PA010080	22
G3205671SS	7	PA010081	22
G3205671SSBR	7	PA010100	21
G3205671VB	7	PA010139	9



PA010185	22	PB040050	9
PA020028	19	PB040062	11
PA020035	9	PB040170	11, 14
PA020045	22	PB040171	16
PA020048	9	PB040178	16
PA050086	20	PB040190	18
PA060054	21	PB040194	20
PA060058	21	PB040217	20
PA060059	21	PB040229	11
PA060062	21	PB040246	14
PA070003	22	PB040265	14
PA080075	20	PB040273	11
PA080083	21	PB050063	21
PA080086	21	PB050065	11
PB010035	22	PB050074	18
PB010083	9	PB050077	19
PB010101	22	PB050080	11
PB010102	22	PB060030	12, 15
PB010103	22	PB060044	15
PB010104	22	PB060046	12
PB010186	22	PB070076	6, 7
PB010187	22	PB070079	8
PB010188	22	PB070140	20
PB010206	22	PB070145	6
PB010207	22	PB070150	6, 7
PB010209	22	PB080061	17
PB010264	22	PC020003	15
PB020025	19	PC020009	12
PB020111	9	PC030007	10
PB020112	9	PC030017	10
PB020113	9	PD010003	9
PB020126	9	PD010006	10
PB020127	9	PD010012	22
PB020136	9	PD010019	6, 7
PB020192	20	PD020002	6, 7, 8, 9, 15, 16, 18, 19, 20, 21, 22
PB020193	20	PD020004	16, 18, 19
PB020216	9	PD020006	9, 17
PB030007	22	PD020010	8
PB040001	18	PD020013	16
PB040027	16	PD020014	6
PB040040	16	PD020032	6, 7, 10, 12, 21



PD020033	12, 15, 20, 21, 22	PE050251	12, 15
PD020044	9, 22	PE060030	6
PD020053	9	PE060031	6
PD020060	8, 9, 10, 11, 12, 13, 14, 15, 16, 20	PE060032	7
PD020067	12, 15	PE060039	6
PD020073	10, 12, 15, 22	PE060045	6
PD020076	20	PE060046	7
PD020079	17	PE060048	7
PD030005	22	PE060049	7
PD030006	7	PE060062	7
PD030012	9	PE060064	6
PD030018	11, 14, 16	PE070148	9
PD030029	10	PE070389	1
PD030031	12, 13	PE070390	3
PD030033	9	PE070391	3
PD030062	16	PE070392	3
PD030109	20	PE070393	3
PD030118	20	PE070394	2
PD030119	20	PE070406	4
PD040004	17	PE070409	4
PD040028	17	PE070468	9
PE010030	7	PE070666	5
PE010031	7	PE070792	4
PE010068	7	PJ030002	9
PE010076	7	PJ030006	16
PE030001PVD	6, 7	PJ030015	22
PE030005	6	PK000007	17
PE030008	7	PK000008	17
PE030012PVD	6	PM010029	9
PE030014PVD	7		
PE050001	9		
PE050016	22		
PE050017	22		
PE050023	22		
PE050024	22		
PE050026	9		
PE050053	16		
PE050056	12, 15		
PE050057	15		
PE050059	16		
PE050148	12, 15		