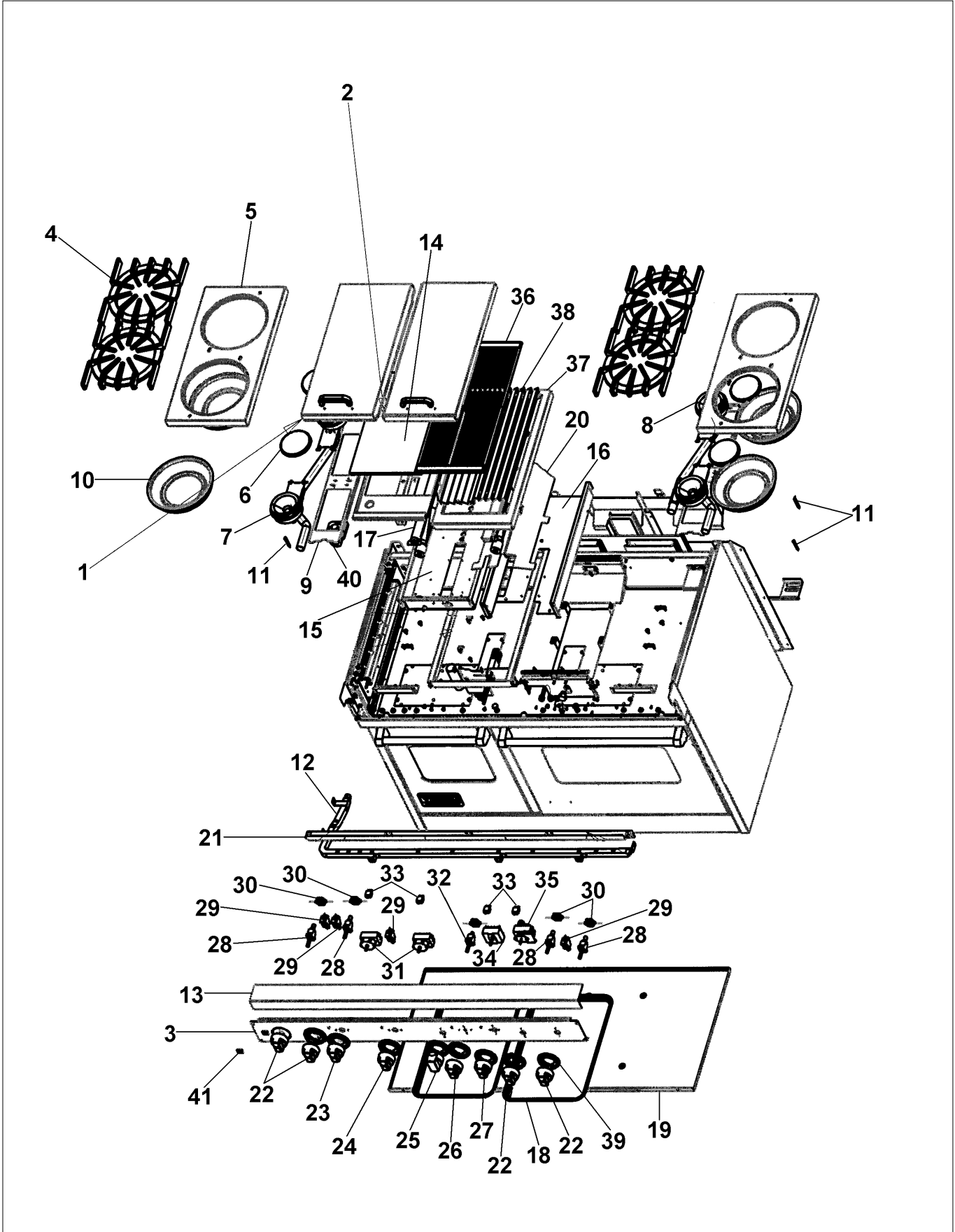


VGSC486

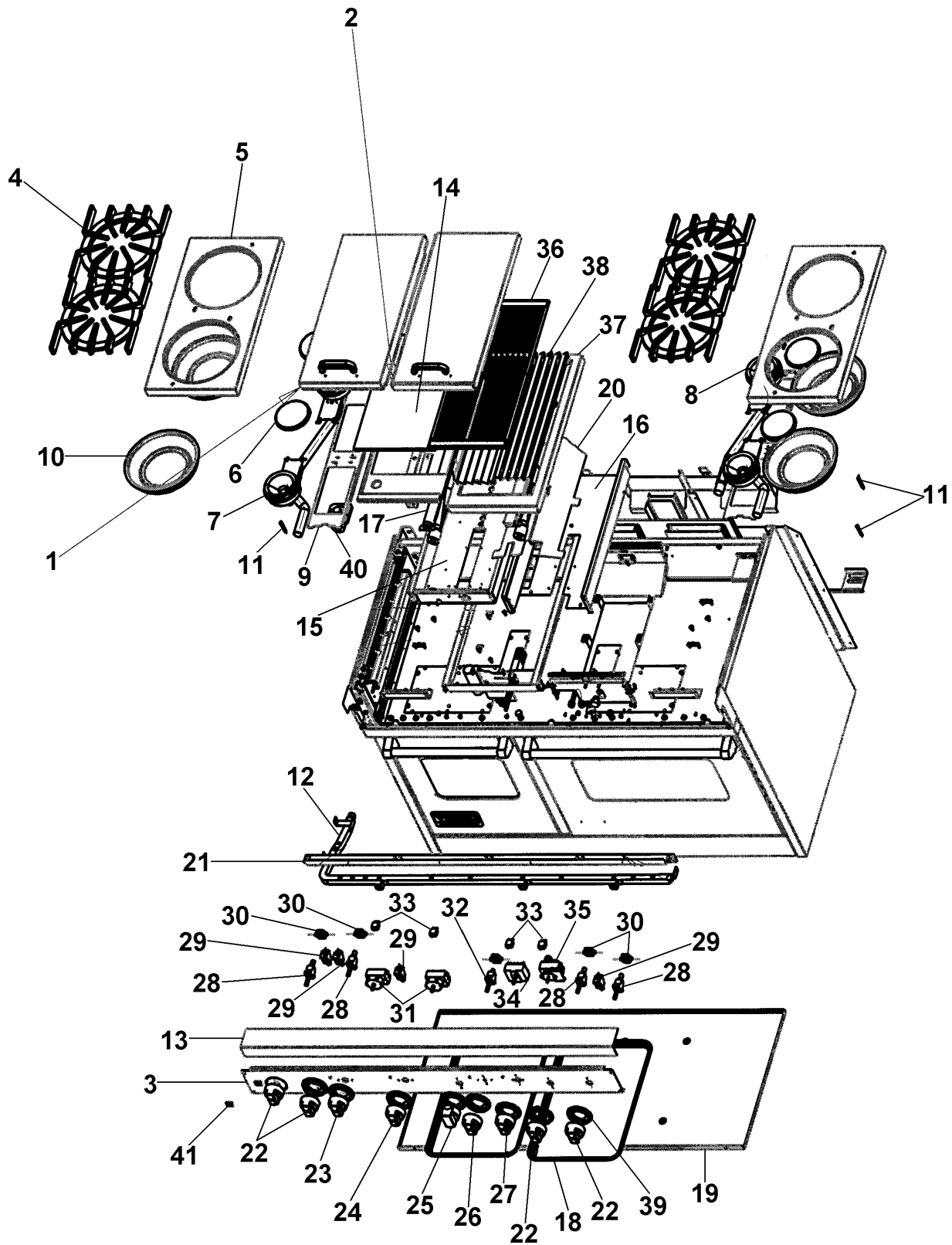
BURNER BOX ASSY	1
LH DOOR ASSY	2
OVEN ASSY	3
REAR PANEL ASSY	4
RH DOOR ASSY	5
WIRING - 4G	6
WIRING - 4GQ	7
WIRING - 6G	8
WIRING - 6Q	9
Appendix A:Pages Index	A
Appendix B:Parts Index	B

BURNER BOX ASSY



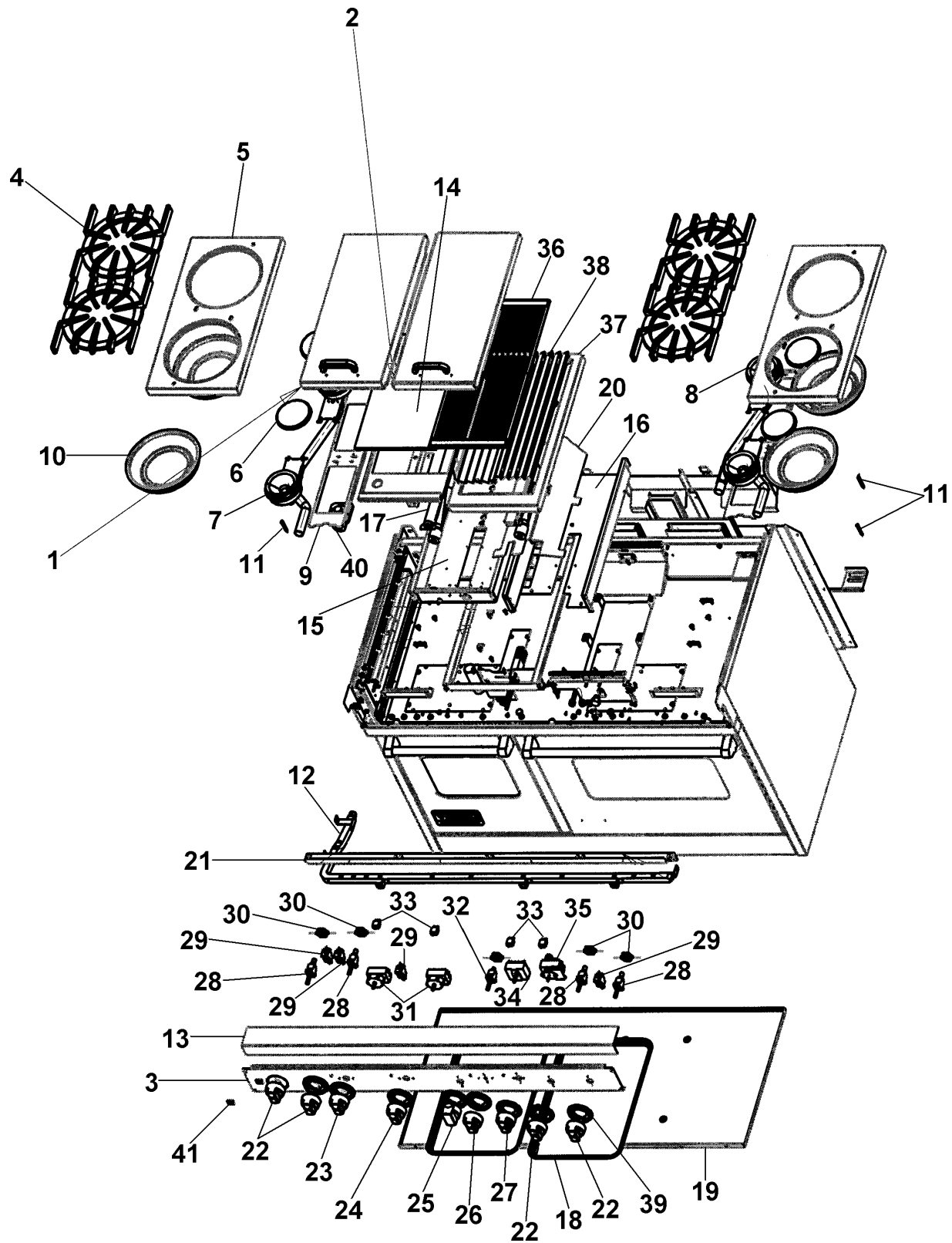


Item	Part No.	Name	Qty	Uom	NOTES
1	NOTE	Griddle Cover Assy - 12"		EA	
Not Shown	NOTE	(SALES ITEM)		EA	
Not Shown	NOTE	Griddle Cover Assy - 24"		EA	
Not Shown	NOTE	(SALES ITEM)		EA	
2	G3208263	GRILL STAINLESS STEEL COVER ASSY - NLA		EA	
3	B9205595	VGSC4864GQ CONTROL PANEL		EA	
Not Shown	B9205596	VGSC4866G CONTROL PANEL		EA	
Not Shown	B9205597	VGSC4866Q CONTROL PANEL		EA	
Not Shown	B9205598	VGSC4864G CONTROL PANEL		EA	NO LONGER AVAILABLE
4	PA060037	GRATE BK REPL PA060024 (GEN.#2)		EA	
Not Shown	PA060038	GRAY GRATES		EA	
5	G50013584AL	GRATE SUPPORT - AL		EA	
Not Shown	G50013584BK	GRATE SUPPORT SERVICE KIT (BK)		EA	
Not Shown	G50013584BT	GRATE SUPPORT SERVICE KIT (BT) - NLA		EA	NO LONGER AVAILABLE
Not Shown	G50013584CB	GRATE SUPPORT ASSEMBLY - CB		EA	Not available online / Call for pricing and availability
Not Shown	G50013584EP	GRATE SUPPORT ASSEMBLY - EP		EA	Not available online / Call for pricing and availability
Not Shown	G50013584FG	GRATE SUPPORT - FG		EA	Not available online / Call for pricing and availability
Not Shown	G50013584GG	GRATE SUPPORT ASSEMBLY - GG		EA	
Not Shown	G50013584LE	GRATE SUPPORT ASSEMBLY - LE		EA	Not available online / Call for pricing and availability



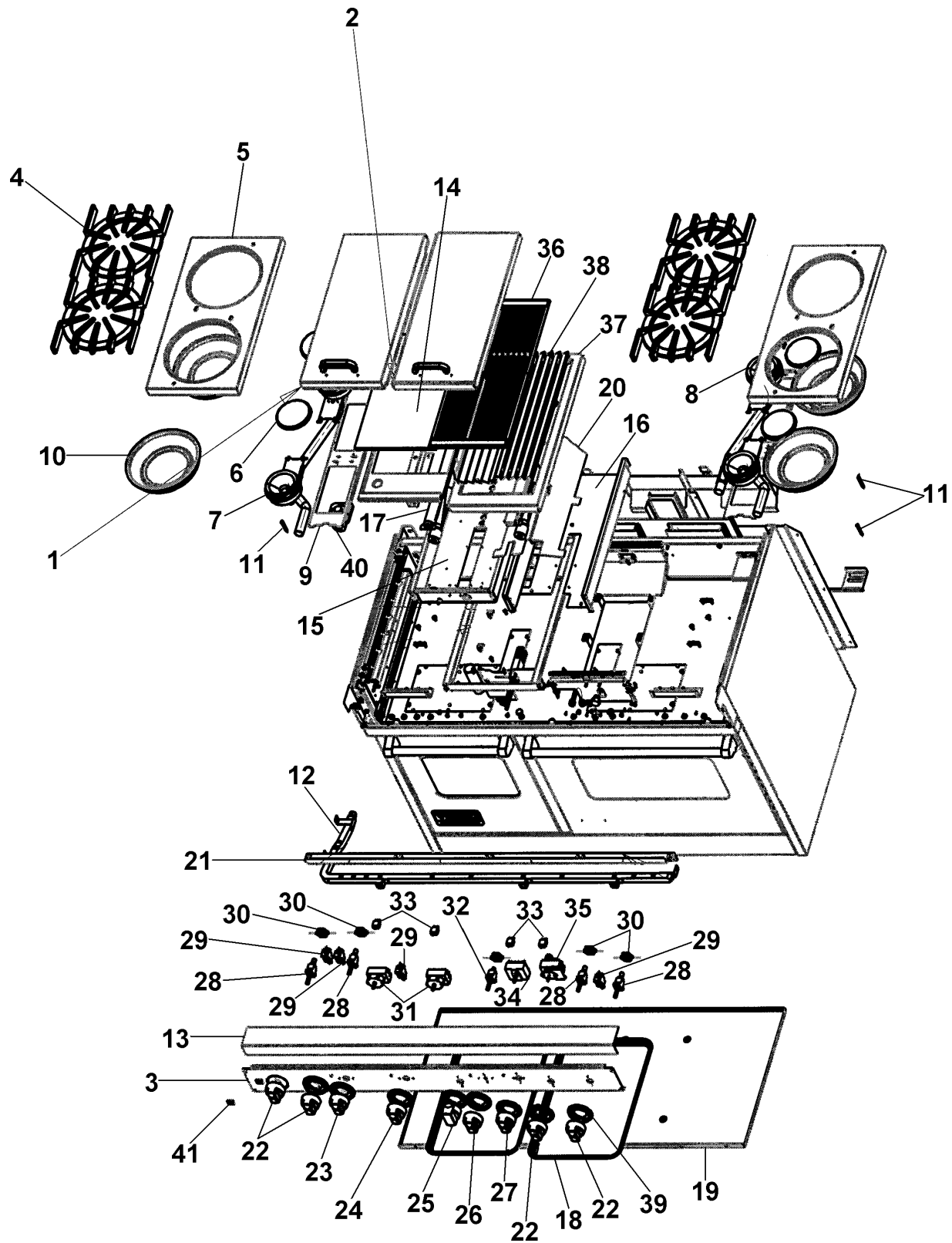


Item	Part No.	Name	Qty	Uom	NOTES
Not Shown	G50013584MJ	GRATE SUPPORT ASSEMBLY - MJ		EA	Not available online / Call for pricing and availability
Not Shown	G50013584SG	GRATE SUPPORT ASSEMBLY - SG		EA	Not available online / Call for pricing and availability
Not Shown	G50013584VB	GRATE SUPPORT - VB		EA	
Not Shown	G50013584WH	GRATE SUPPORT SERVICE KIT (WH)		EA	
6	PA080015	BURNER CAP-VGRT *BK*		EA	
Not Shown	PA080016	BURNER CAP-VGRT (GRAY-MATT)		EA	
7	PA080037	TOP BURNER FRONT REPL PA080007		EA	
8	PA080036	TOP BURNER REAR REPL PA080008		EA	
9	A2001112	BURNER SUPT (VGRT)		EA	
10	PA030002AL	BURNER BOWL - AL (FOR USE WITH UPGRADE KIT) NLA		EA	
Not Shown	PA030002BK	BURNER BOWL (VGRT) **BK**		EA	
Not Shown	PA030002BT	BURNER BOWL - BT NLA		EA	
Not Shown	PA030002CB	BURNER BOWL - CB NLA		EA	
Not Shown	PA030002EP	BURNER BOWL - EP NLA		EA	
Not Shown	PA030002FG	BURNER BOWL - FG (FOR USE WITH UPGRADE KIT) NLA		EA	
Not Shown	PA030002GG	BURNER BOWL - GG NLA		EA	
Not Shown	PA030002LE	BURNER BOWL - LE NLA		EA	
Not Shown	PA030002MJ	BURNER BOWL (VGRT) **MJ** NLA		EA	
Not Shown	PA030002SG	BURNER BOWL - SG NLA		EA	
Not Shown	PA030002VB	BURNER BOWL (VGRT) **VB** NLA		EA	
Not Shown	PA030002WH	BURNER BOWL (VGRT) **WH**		EA	

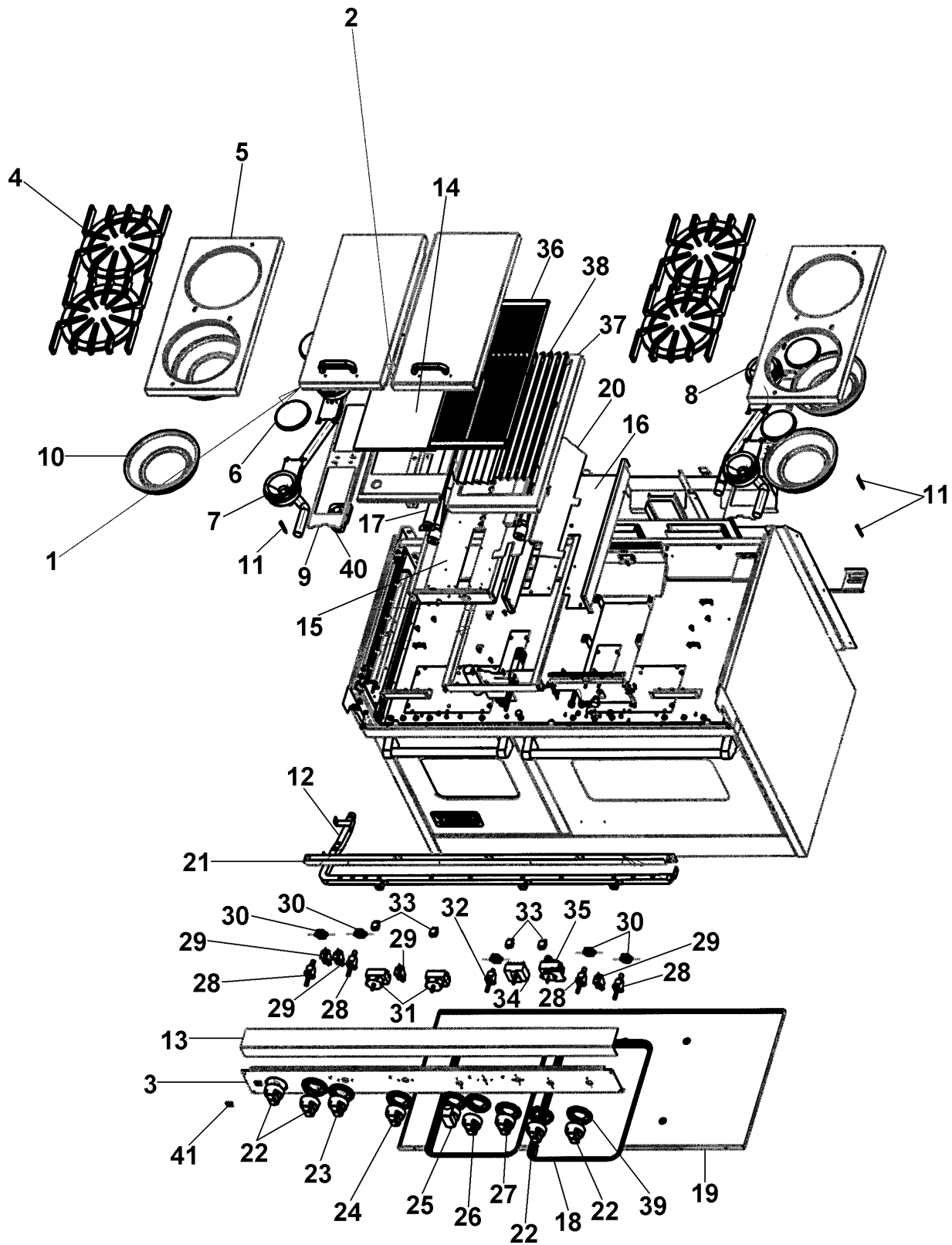




Item	Part No.	Name	Qty	Uom	NOTES
11	PA020028	SPARK IGNITER		EA	
12	002569-000	UNIVERSAL 48" MANIFOLD		EA	
13	G3001584	LANDING LGD 48"		EA	
14	003210-000	12 OPEN GRIDDLE FRAME WELD ASSY		EA	
G300104 95	003224-000	24" OPEN FRIDDLE FRAME WELD ASM		EA	
15	A2001148	GRIDDLE BOX (VGRT)		EA	
NI	PB040001	Igniter		EA	
NI	PB010264	GRIDDLE THERMOSTAT		EA	
16	A2001852	GRILL BOX - (VGRC605)		EA	
17	PB050077	GRILL BURNER		EA	
18	J2101749	GREASE PAN		EA	
19	G3002825	DRIP TRAY (VDSC48")		EA	
NI	G30010697	DRIP TRAY HANDLE ASSY 48"		EA	
NI	G93011461PVD	DRIP TRAY HANDLE ASSY 48" PVD - NLA		EA	
20	B2001856	GRILL HEAT DEFLECTOR-LH (VGRC60)		EA	
NI	B2001857	GRILL HEAT DEFLECTOR-RH (VGRC60)		EA	
21	A2001104	FRONT SUPT (48")		EA	NO LONGER AVAILABLE
22	PB010206	TOP BURNER KNOB BK		EA	
Not Shown	PB010207	TOP BURNER KNOB WH		EA	Not available online / Call for pricing and availability
23	PB010101	THERMOSTAT BAKE KNOB N/S *BK*		EA	
Not Shown	PB010102	THERMOSTAT BAKE KNOB N/S *WH*		EA	NO LONGER AVAILABLE
24	PB010103	GRIDDLE KNOB N/S *BK*		EA	
Not Shown	PB010104	GRIDDLE KNOB N/S *WH*		EA	
25	PA010039	TOP GRILL KNOB*BK* (VGRC) (N/STYLE)		EA	
Not Shown	PA010040	TOP GRILL KNOB*WH* (VGRC) (N/STYLE)		EA	

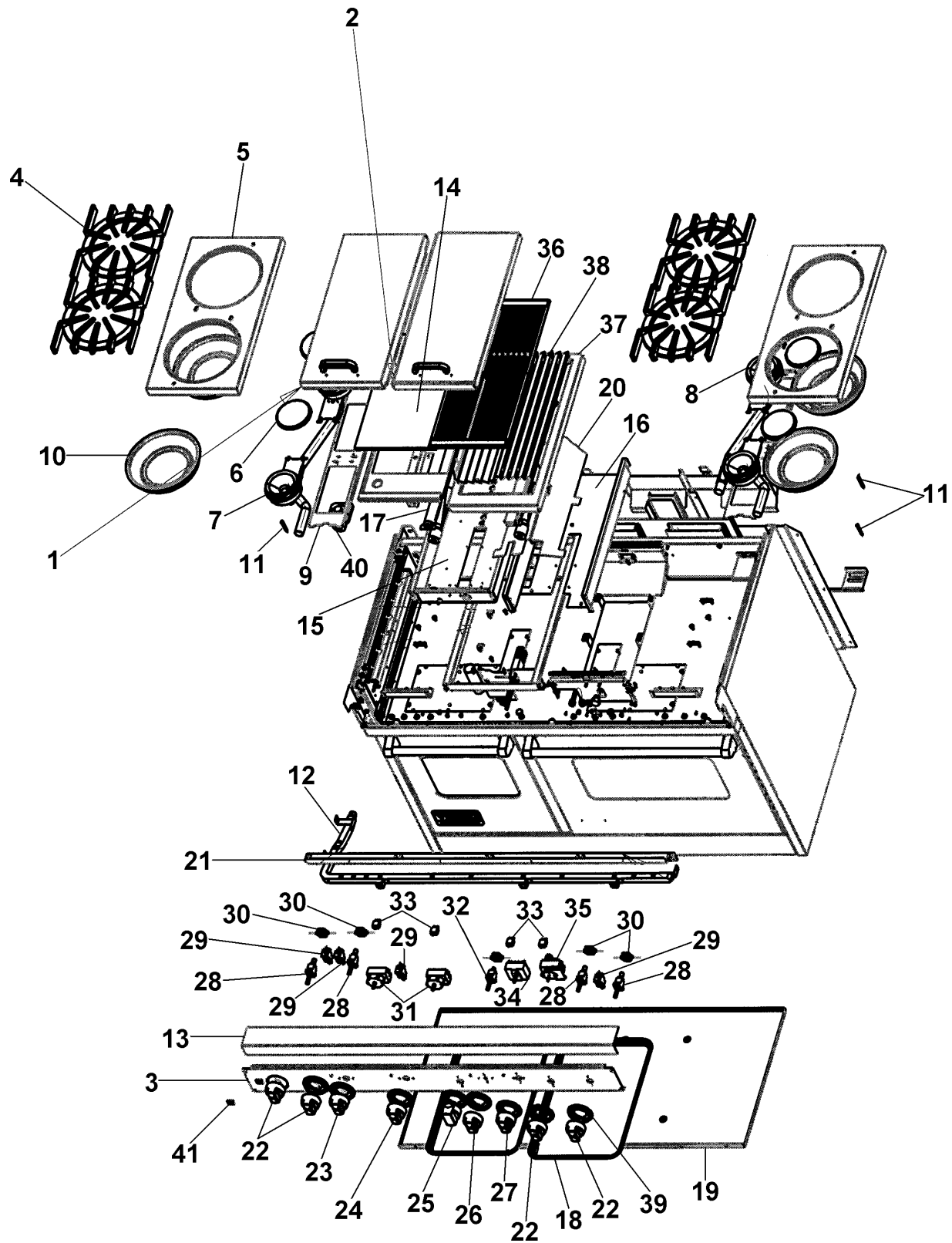


Item	Part No.	Name	Qty	Uom	NOTES
26	PA010080	SELECTOR KNOB SELF CLEAN *BK*		EA	
Not Shown	PA010081	SELECTOR KNOB SELF CLEAN *WH*		EA	
27	PB010187	THERMOSTAT KNOB SELF CLEAN *BK*		EA	
Not Shown	PB010188	THERMOSTAT KNOB SELF CLEAN *WH*		EA	NO LONGER AVAILABLE
28	G50012678	TOP BURNER VALVE KIT (BRASS VALVE REPLACEMENT)		EA	
28	NOTE	Before 2-23-05		EA	
28	003515-000	PA010157 VALVE AND BOLT KIT		EA	
Not Shown	NOTE	On and After 2-23-05		EA	
29	003862-000	SHUTOFF VALVE (PB030002 VALVE AND BOLT KIT)		EA	
30	PA020015	Spark Ignition Switch		EA	
Not Shown	NOTE	Before 2-23-05		EA	
Not Shown	PA020045	Spark Ignition Switch		EA	
Not Shown	NOTE	On and After 2-23-05		EA	
31	PB010264	GRIDDLE THERMOSTAT		EA	
32	PA010030	GRILL VALVE-(VGRT)		EA	
33	PE050024	OVEN IND. LIGHT (LIGHT HOUSING)		EA	
<p>Comments for Part Num. PE050024</p> <p>haarnink@vikingrange.com on Jan 14, 2019 please note that the indicator light is now part 043135-000 but needs the Jumper harness 051443-000. and second option there are units in the field with a 230V indicator light part number 036566-000.</p> <p>please check this for all "E" module ranges/Tops</p>					
NI	PE050023	OVEN IND. LIGHT (LENS & BEZEL)		EA	
34	PJ030015	6 POS. SELECTOR SWITCH		EA	NO LONGER AVAILABLE
35	PB010186	EK39 THERMOSTAT (SELF-CLEAN)		EA	





Item	Part No.	Name	Qty	Uom	NOTES
36	PA060058	GRILL GRATE - MATT *BK* RE PA060028		EA	
Not Shown	PA060059	GRILL GRATE -MATT *GR* RE PA060029		EA	
37	G9101182AL	GRILL GRATE SUPT (VGRT) *AL*		EA	NO LONGER AVAILABLE
Not Shown	G9101182BK	GRILL GRATE SUPT (VGRT) *BK*		EA	
Not Shown	G9101182BT	GRILL GRATE SUPT (VGRT) *BT*		EA	NO LONGER AVAILABLE
Not Shown	G9101182CB	GRILL GRATE SUPT (VGRT) *CB*		EA	NO LONGER AVAILABLE
Not Shown	G9101182EP	GRILL GRATE SUPT (VGRT) *EP*		EA	NO LONGER AVAILABLE
Not Shown	G9101182FG	GRILL GRATE SUPT (VGRT) *FG*		EA	NO LONGER AVAILABLE
Not Shown	G9101182GG	GRILL GRATE SUPPORT - GG		EA	Not available online / Call for pricing and availability
Not Shown	G9101182LE	GRILL GRATE SUPT (VGRT) *LE*		EA	NO LONGER AVAILABLE, Not available online / Call for pricing and availability
Not Shown	G9101182MJ	GRILL GRATE SUPT (VGRT) *MJ*		EA	NO LONGER AVAILABLE, Not available online / Call for pricing and availability
Not Shown	G9101182SG	GRILL GRATE SUPT (VGRT) *SG*		EA	NO LONGER AVAILABLE, Not available online / Call for pricing and availability
Not Shown	G9101182VB	GRILL GRATE SUPT (VGRT) *VB*		EA	NO LONGER AVAILABLE
Not Shown	G9101182WH	GRILL GRATE SUPT (VGRT) *WH*		EA	
38	E9101130BK	GRILL SMOKE GENERATOR		EA	
39	050172-000	BEZEL, KNOB		EA	
Not Shown	PB010209	Bezel - BR		EA	
40	PA070003	PRESSURE REGULATOR		EA	
41	PE050016	OVEN LIGHT SWITCH - *BK* (WES-GAR)		EA	





Item	Part No.	Name	Qty	Uom	NOTES
Not Shown	PE050017	OVEN LIGHT SWITCH - *WH* (WES-GAR)		EA	
NI	A2001179	BACK SUPT (VGRT)		EA	
42	PB010035	THERMOSTAT BAKE / GRIDDLE		EA	
NI	PE070468	TRANSFORMER HALOGEN LIGHTS REPLACES PE070222		EA	

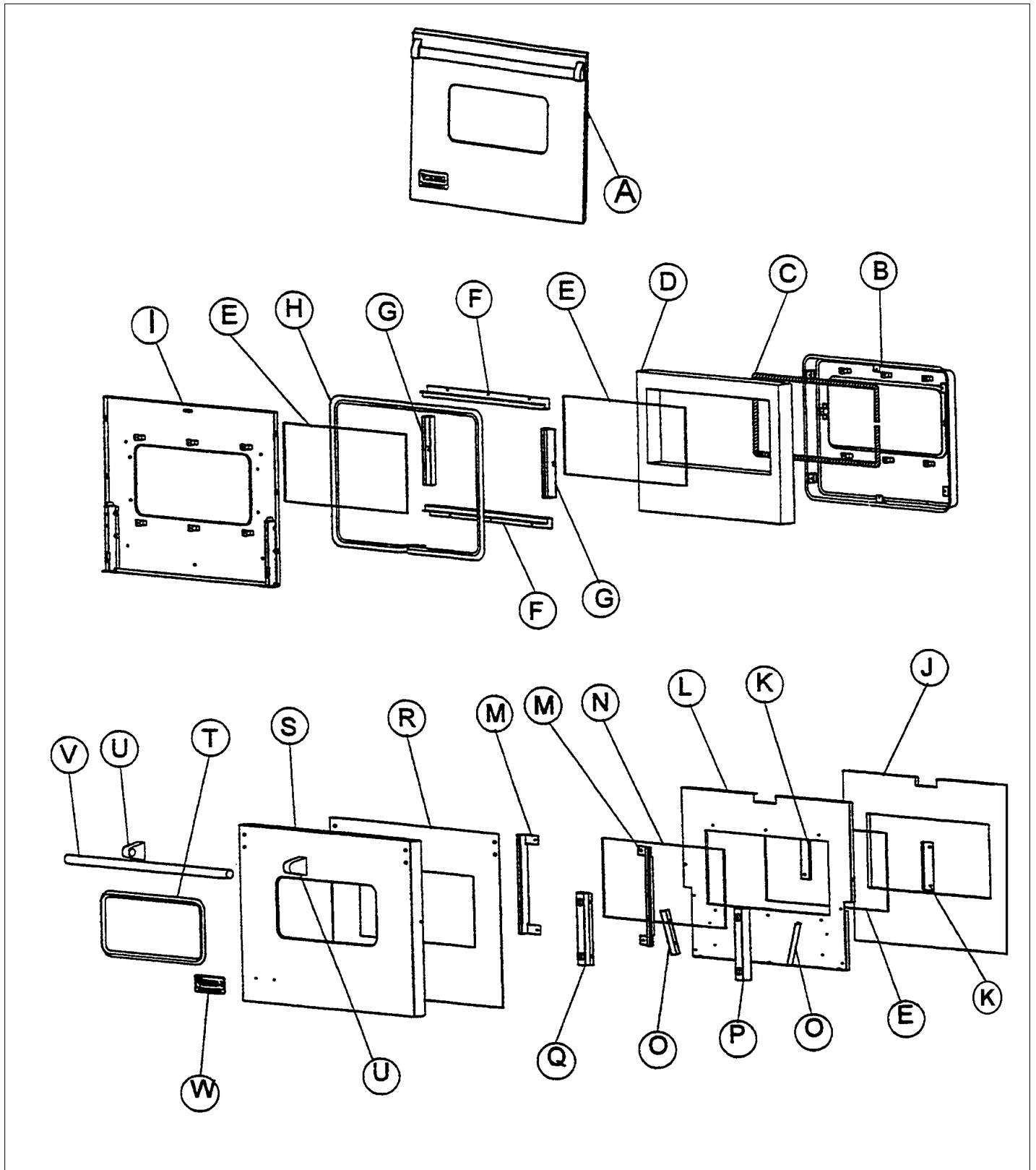
Comments for Page: BURNER BOX ASSY

aolivarez@vikingrange.com on Dec 30, 2015

THE LH OVEN PB010035

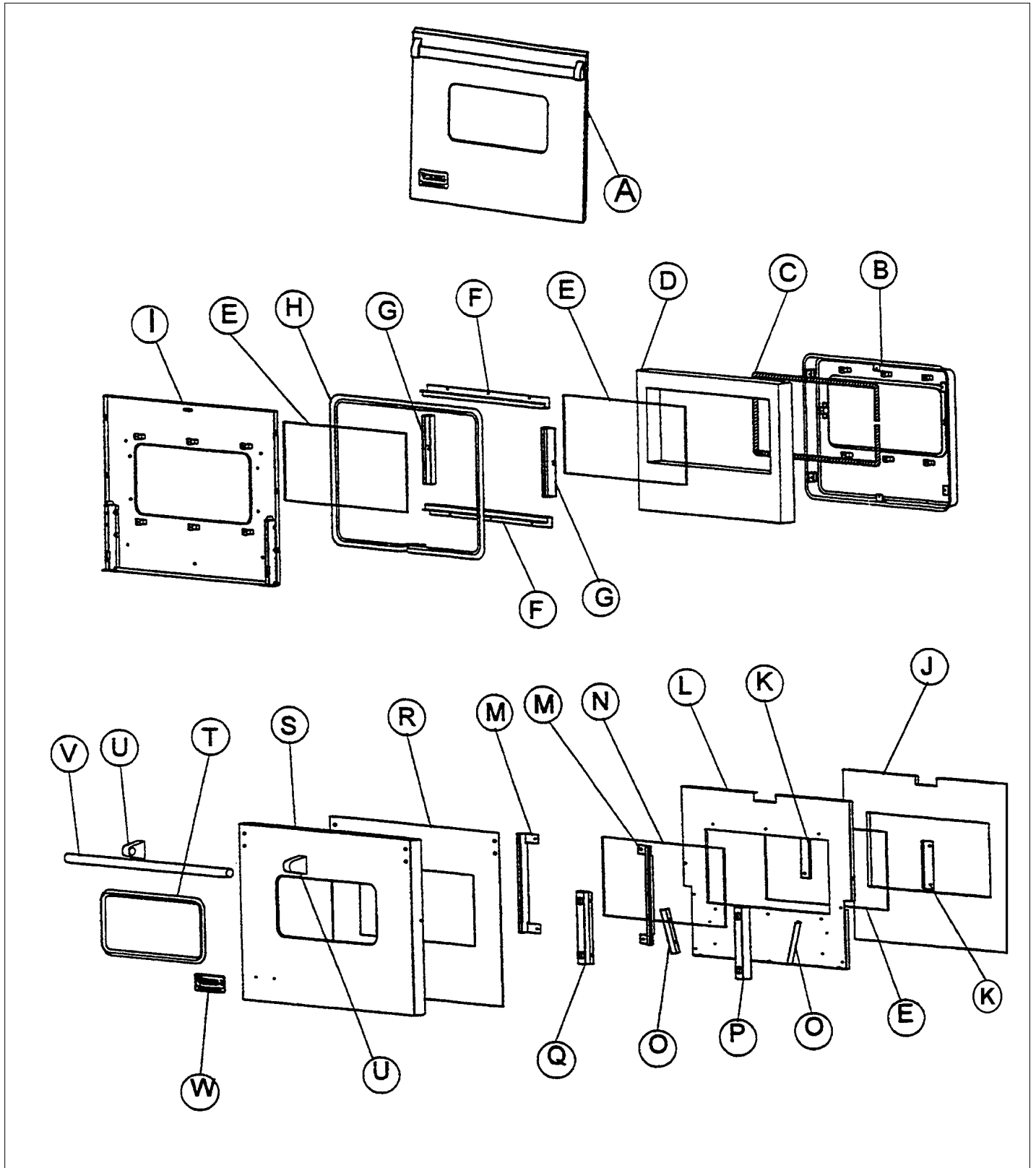
THE GRIDDLE PB010264

LH DOOR ASSY

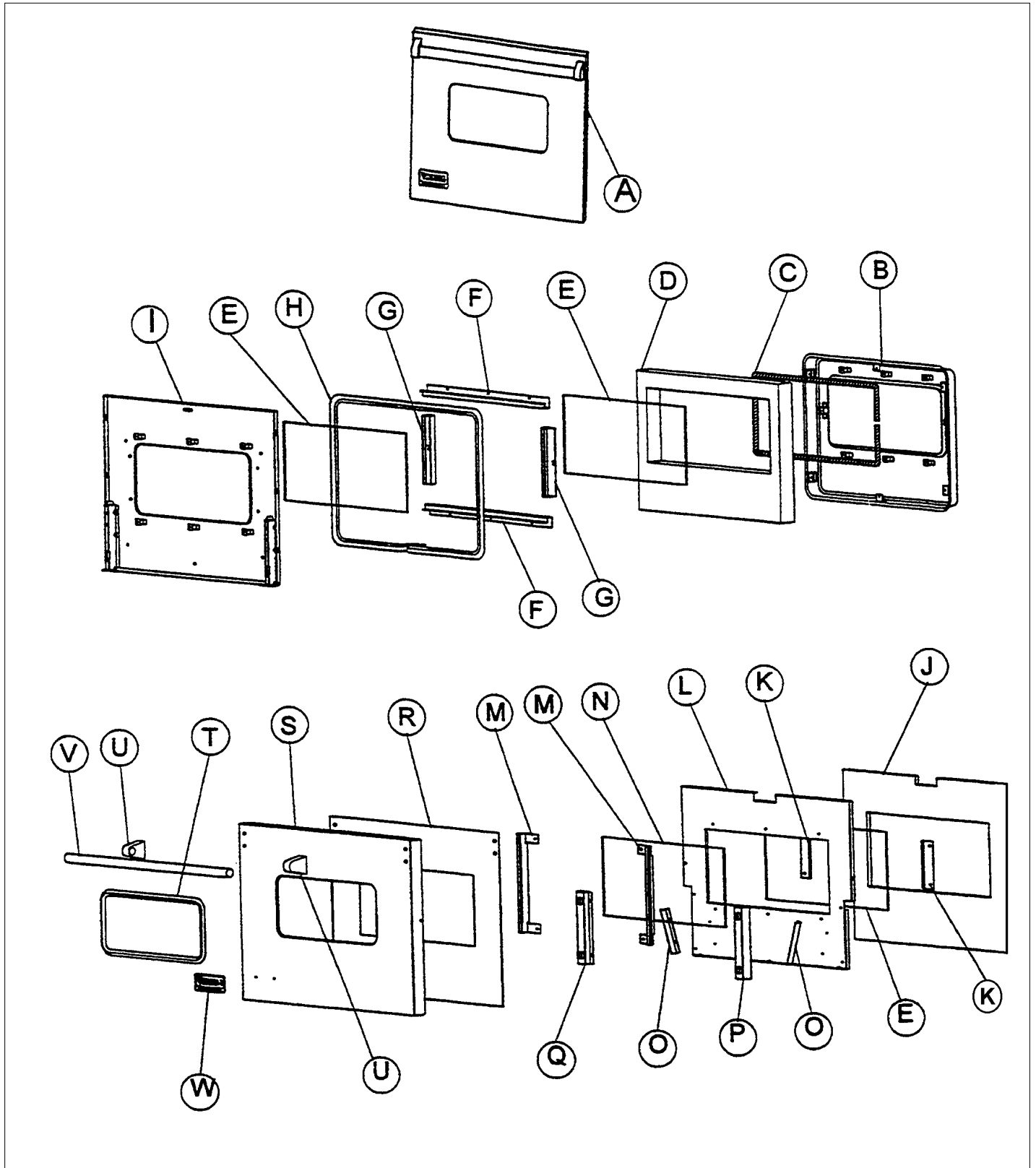




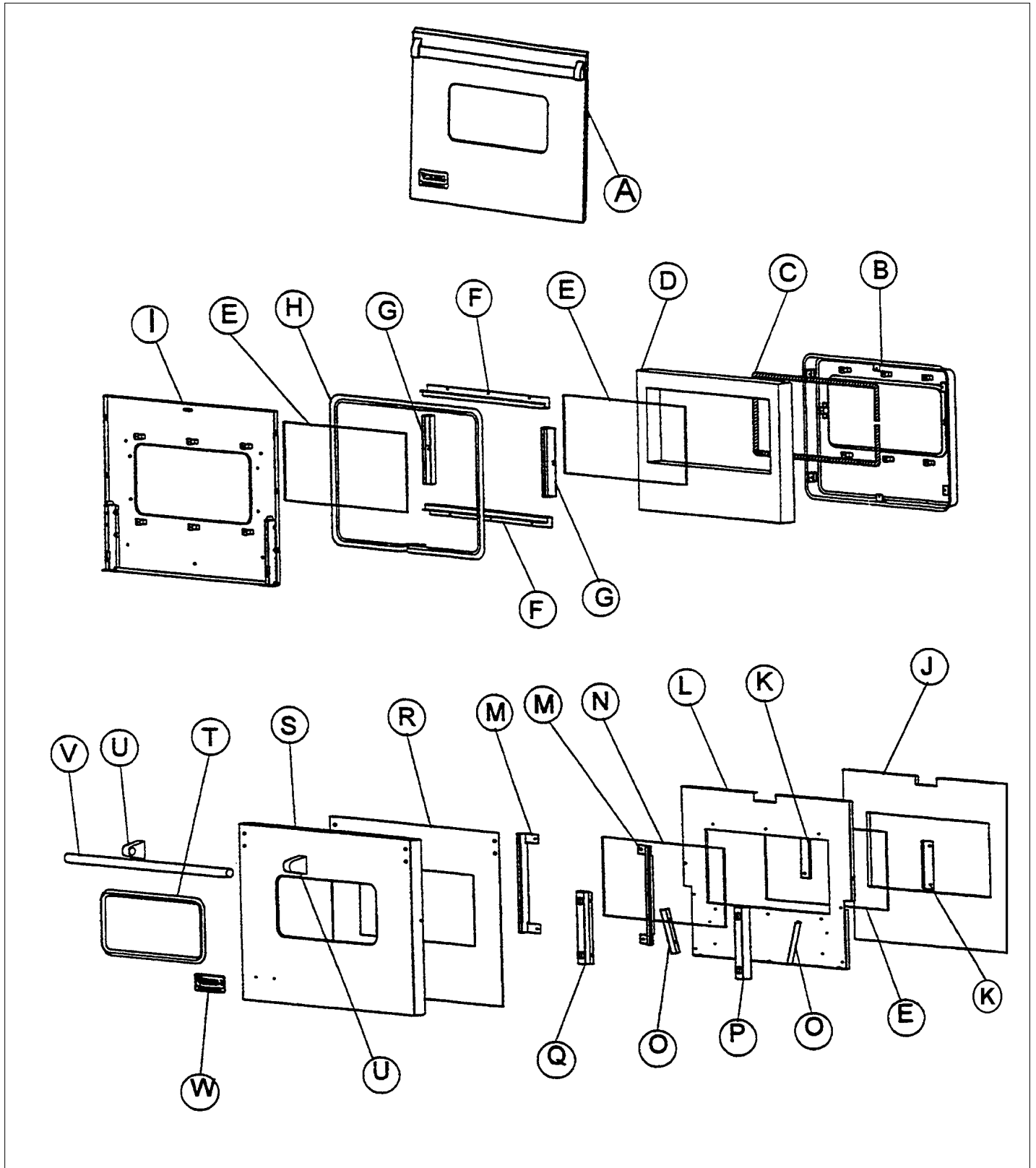
Item	Part No.	Name	Qty	Uom	NOTES
A	G3205671AL	DOOR ASSY *AL* (VGSC486 LH)	1	EA	NO LONGER AVAILABLE
Not Shown	G3205671ALBR	COMPLETE DOOR ASSY - ALBR	1	EA	Not available online / Call for pricing and availability
Not Shown	G3205671BK	DOOR ASSY *BK* VGSC486 LH	1	EA	NO LONGER AVAILABLE, Not available online / Call for pricing and availability
Not Shown	G3205671BKBR	COMPLETE DOOR ASSY - BKBR	1	EA	Not available online / Call for pricing and availability
Not Shown	G3205671BT	DOOR ASSY *BT* VGSC486 LH	1	EA	NO LONGER AVAILABLE, Not available online / Call for pricing and availability
Not Shown	G3205671BTBR	COMPLETE DOOR ASSY - BTBR	1	EA	Not available online / Call for pricing and availability
Not Shown	G3205671BU	DOOR ASSY *BU* VGSC486 LH	1	EA	NO LONGER AVAILABLE, Not available online / Call for pricing and availability
Not Shown	G3205671BUBR	COMPLETE DOOR ASSY - BUBR	1	EA	Not available online / Call for pricing and availability
Not Shown	G3205671CB	DOOR ASSY *CB* (VGSC486 LH)	1	EA	NO LONGER AVAILABLE, Not available online / Call for pricing and availability
Not Shown	G3205671CBBR	COMPLETE DOOR ASSY - CBBR	1	EA	Not available online / Call for pricing and availability
Not Shown	G3205671EP	DOOR ASSY *EP* (VGSC486 LH)	1	EA	NO LONGER AVAILABLE, Not available online / Call for pricing and availability
Not Shown	G3205671EPBR	COMPLETE DOOR ASSY - EPBR	1	EA	Not available online / Call for pricing and availability



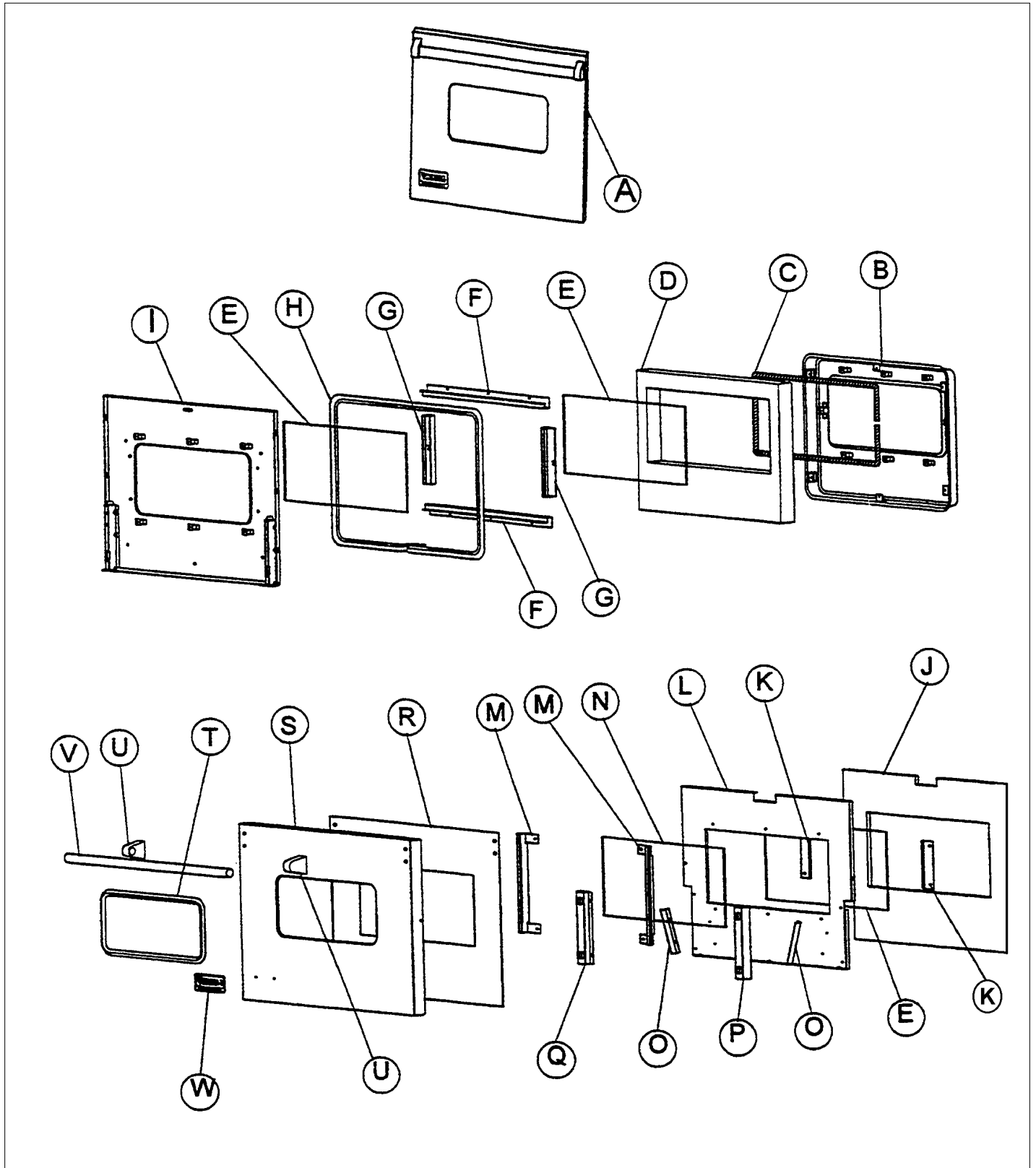
Item	Part No.	Name	Qty	Uom	NOTES
Not Shown	G3205671FG	DOOR ASSY *FG* (VGSC486 LH)	1	EA	NO LONGER AVAILABLE, Not available online / Call for pricing and availability
Not Shown	G3205671FGBR	COMPLETE DOOR ASSY - FGBR	1	EA	Not available online / Call for pricing and availability
Not Shown	G3205671GG	DOOR ASSY *GG* (VGSC486 LH)	1	EA	NO LONGER AVAILABLE, Not available online / Call for pricing and availability
Not Shown	G3205671GGBR	COMPLETE DOOR ASSY - GGBR	1	EA	Not available online / Call for pricing and availability
Not Shown	G3205671LE	DOOR ASSY *LE* (VGSC486 LH)	1	EA	NO LONGER AVAILABLE, Not available online / Call for pricing and availability
Not Shown	G3205671LEBR	COMPLETE DOOR ASSY - LEBR	1	EA	Not available online / Call for pricing and availability
Not Shown	G3205671MJ	DOOR ASSY *MJ* (VGSC486 LH)	1	EA	NO LONGER AVAILABLE, Not available online / Call for pricing and availability
Not Shown	G3205671MJBR	COMPLETE DOOR ASSY - MJBR	1	EA	Not available online / Call for pricing and availability
Not Shown	G3205671SG	DOOR ASSY *SG* (VGSC486 LH)	1	EA	NO LONGER AVAILABLE, Not available online / Call for pricing and availability
Not Shown	G3205671SGBR	COMPLETE DOOR ASSY - SGBR	1	EA	Not available online / Call for pricing and availability
Not Shown	G3205671SS	DOOR ASSY *SS* (VGSC486 LH)	1	EA	NO LONGER AVAILABLE
Not Shown	G3205671SSBR	DOOR ASSY *SSBR* (VGSC486 LH)	1	EA	NO LONGER AVAILABLE, Not available online / Call for pricing and availability



Item	Part No.	Name	Qty	Uom	NOTES
Not Shown	G3205671VB	DOOR ASSY *VB* (VGSC486 LH)	1	EA	NO LONGER AVAILABLE, Not available online / Call for pricing and availability
Not Shown	G3205671VBBR	COMPLETE DOOR ASSY - VBBR	1	EA	Not available online / Call for pricing and availability
Not Shown	G3205671WH	DOOR ASSY *WH* (VGSC486 LH)	1	EA	NO LONGER AVAILABLE, Not available online / Call for pricing and availability
Not Shown	G3205671WHBR	COMPLETE DOOR ASSY - WHBR	1	EA	Not available online / Call for pricing and availability
B	H9102507	DOOR PLUG ASSY LH (VDSC48)	1	EA	Not available online / Call for pricing and availability
C	000594-000	BLACK FIBERGLASS ROPE 3/8	1	EA	
D	PB070076	WOOL INSULATION 1" X 21" X 3'	1	EA	
E	PE060032	GLASS (HEAT BARRIER) LH DF48DOOR	1	EA	
F	E9108202	WINDOW LINER TOP/BTM 48" LH ONLY	1	EA	NO LONGER AVAILABLE, Not available online / Call for pricing and availability
G	E9108203	WINDOW LINER SIDE 48" LH	1	EA	NO LONGER AVAILABLE
H	000623-000	DOOR GASKET(3/8"DIA.) (VDSC)	1	EA	
I	H9105672	OVEN DR LINER ASSY LH (VGSC48)	1	EA	NO LONGER AVAILABLE
J	PB070034	INSULATION-TRS-10 1" X 20" X 77' ROLL	1	EA	
K	A2004498	DOOR GLASS STANDOFF (NEW)	1	EA	NO LONGER AVAILABLE, Not available online / Call for pricing and availability
M	E9102668	WINDOW BRKT (O/S DOOR GLASS)	1	EA	Not available online / Call for pricing and availability
N	PE060049	GLASS LH *TE* DF48DOOR	1	EA	



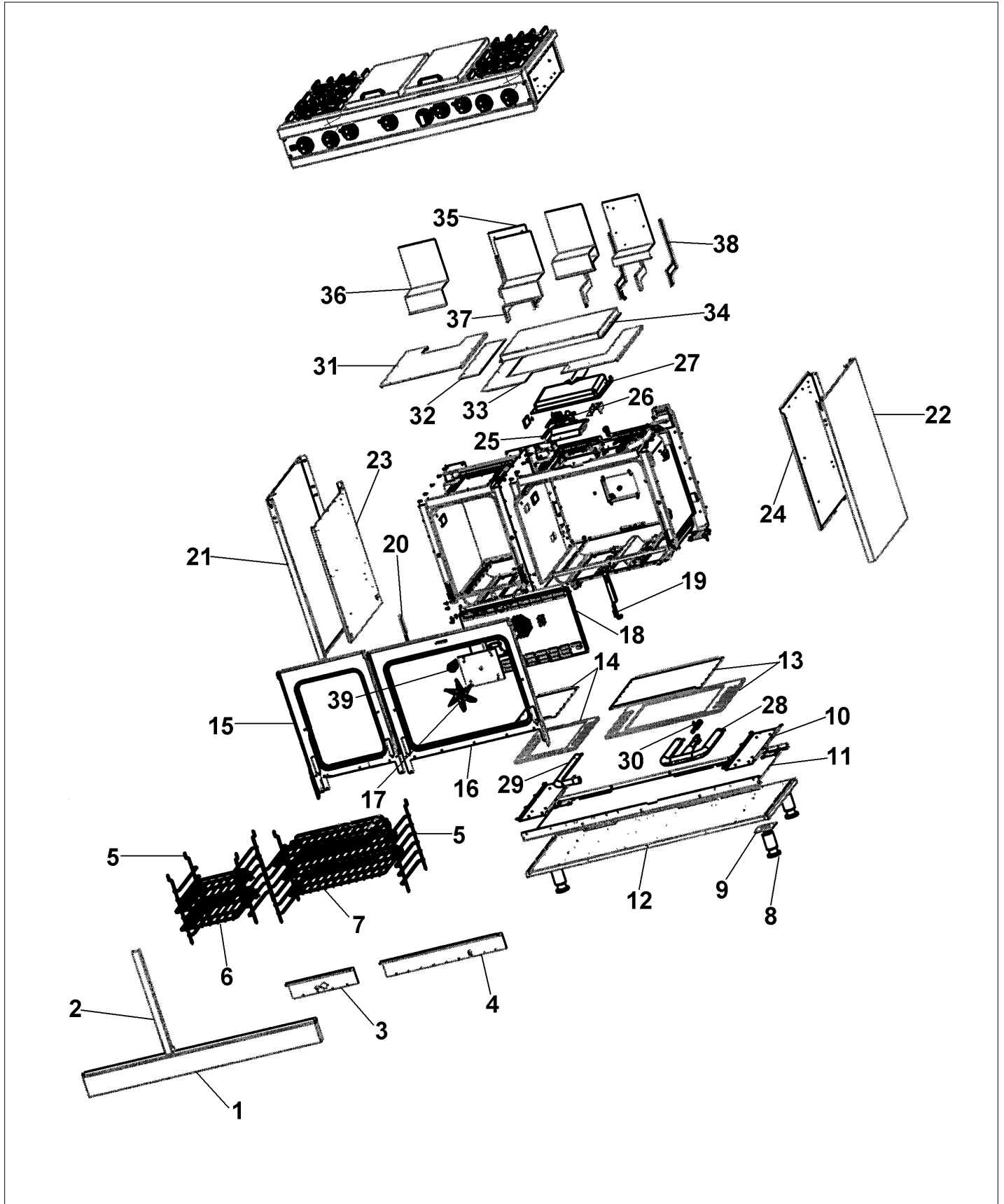
Item	Part No.	Name	Qty	Uom	NOTES
O	A2002497	DOOR GUIDE ANGLE VDSC	1	EA	
P	A2002498	HINGE POCKET COVER RH	1	EA	
Q	A2002499	HINGE POCKET COVER LH	1	EA	
R	J1002506	OVEN DR HEAT SINK LH (VDSC48)	1	EA	
S	B2002504	O/S DOOR PANEL LH *SS* (VDSC48)	1	EA	
Not Shown	C9002504AL	O/S DOOR PANEL-LH *AL* (VDSC48)	1	EA	NO LONGER AVAILABLE, Not available online / Call for pricing and availability
Not Shown	C9002504BK	O/S DOOR PANEL-LH *BK* (VDSC48)	1	EA	
Not Shown	C9002504BT	O/S DOOR PANEL-LH *BT* (VDSC48)	1	EA	NO LONGER AVAILABLE
Not Shown	C9002504BU	O/S DOOR PANEL-LH *BU* (VDSC48)	1	EA	
Not Shown	C9002504CB	O/S DOOR PANEL-LH *CB* (VDSC48)	1	EA	NO LONGER AVAILABLE
Not Shown	C9002504EP	O/S DOOR PANEL-LH *EP* (VDSC48)	1	EA	NO LONGER AVAILABLE, Not available online / Call for pricing and availability
Not Shown	C9002504FG	O/S DOOR PANEL-LH *FG* (VDSC48)	1	EA	NO LONGER AVAILABLE, Not available online / Call for pricing and availability
Not Shown	C9002504GG	O/S DOOR PANEL-LH *GG* (VDSC48)	1	EA	
Not Shown	C9002504LE	O/S DOOR PANEL-LH *LE* (VDSC48)	1	EA	NO LONGER AVAILABLE
Not Shown	C9002504MJ	O/S DOOR PANEL-LH *MJ* (VDSC48)	1	EA	NO LONGER AVAILABLE, Not available online / Call for pricing and availability
Not Shown	C9002504SG	O/S DOOR PANEL-SG *SG* (VDSC48)	1	EA	Not available online / Call for pricing and availability
Not Shown	C9002504VB	O/S DOOR PANEL-LH*VB* (VDSC48)	1	EA	NO LONGER AVAILABLE, Not available online / Call for pricing and availability



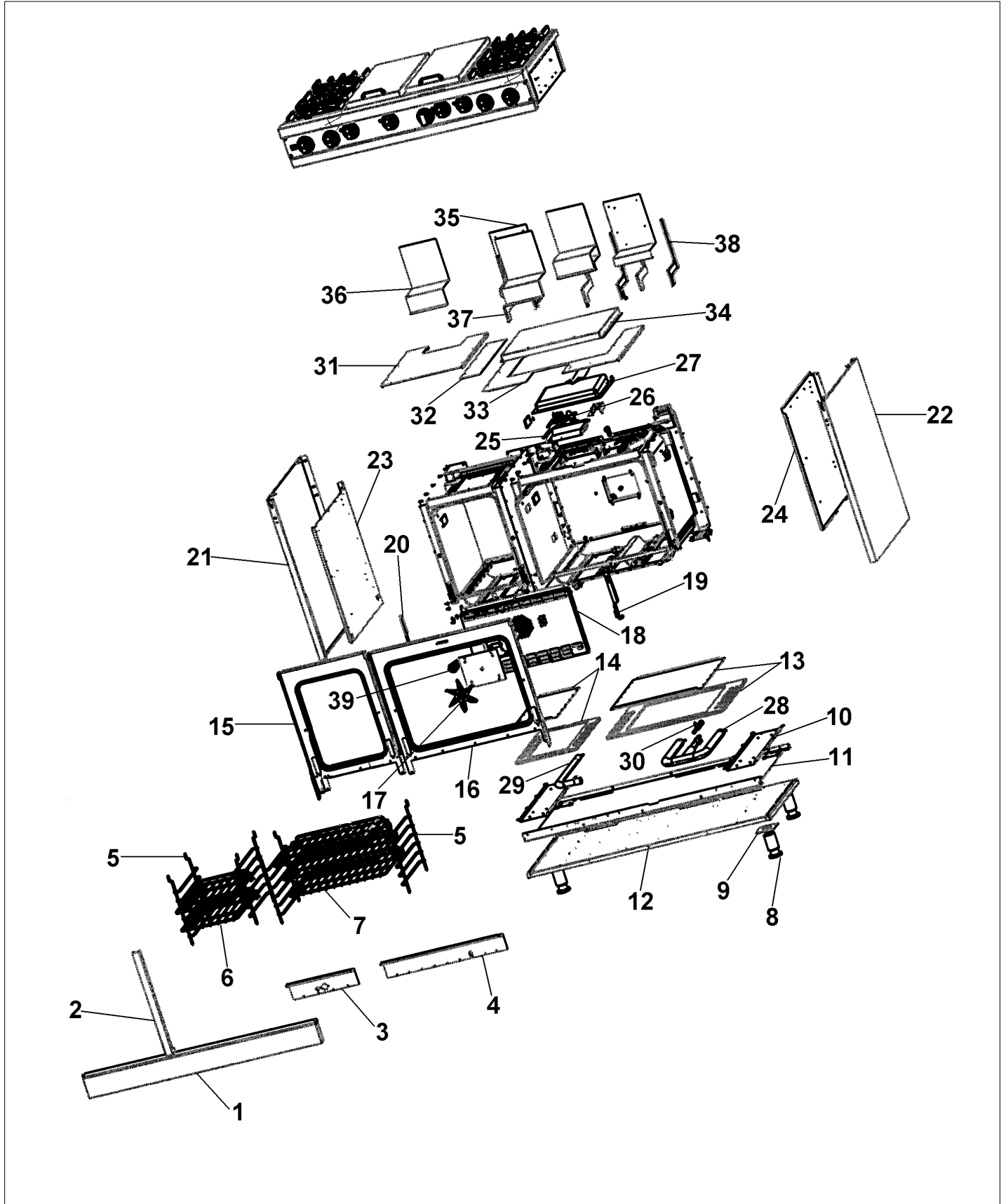


Item	Part No.	Name	Qty	Uom	NOTES
Not Shown	C9002504WH	O/S DOOR PANEL-LH *WH* (VDSC48)	1	EA	
T	PE060046	J-MOLD LH SS (DF48 DOOR)	1	EA	
Not Shown	PE060048	J-MOLD LH *BR* (DF48 DOOR)	1	EA	NO LONGER AVAILABLE
U	000268-000	HANDLE ENDCAP	1	EA	
Not Shown	PE030001PVD	END CAP DOOR HANDLE *BR	1	EA	
V	PE030008	DOOR HANDLE - LH 48VGRC	1	EA	
PE030014	PE030014PVD	DOOR HANDLE - LH - (48") PVD	1	EA	
W	PE010030	LOGO	1	EA	
Not Shown	PE010031	LOGO 6" (VGRC) *BK/WH*	1	EA	NO LONGER AVAILABLE
Not Shown	PE010068	LOGO 6" (VGRC) BK/BR	1	EA	
Not Shown	PE010076	LOGO 6" (VGRC) *BR/WH*	1	EA	NO LONGER AVAILABLE
NI	PD020032	SRW-8(A)X3/8"PH.WFR HD 7/16DIA*NICL	1	EA	

OVEN ASSY

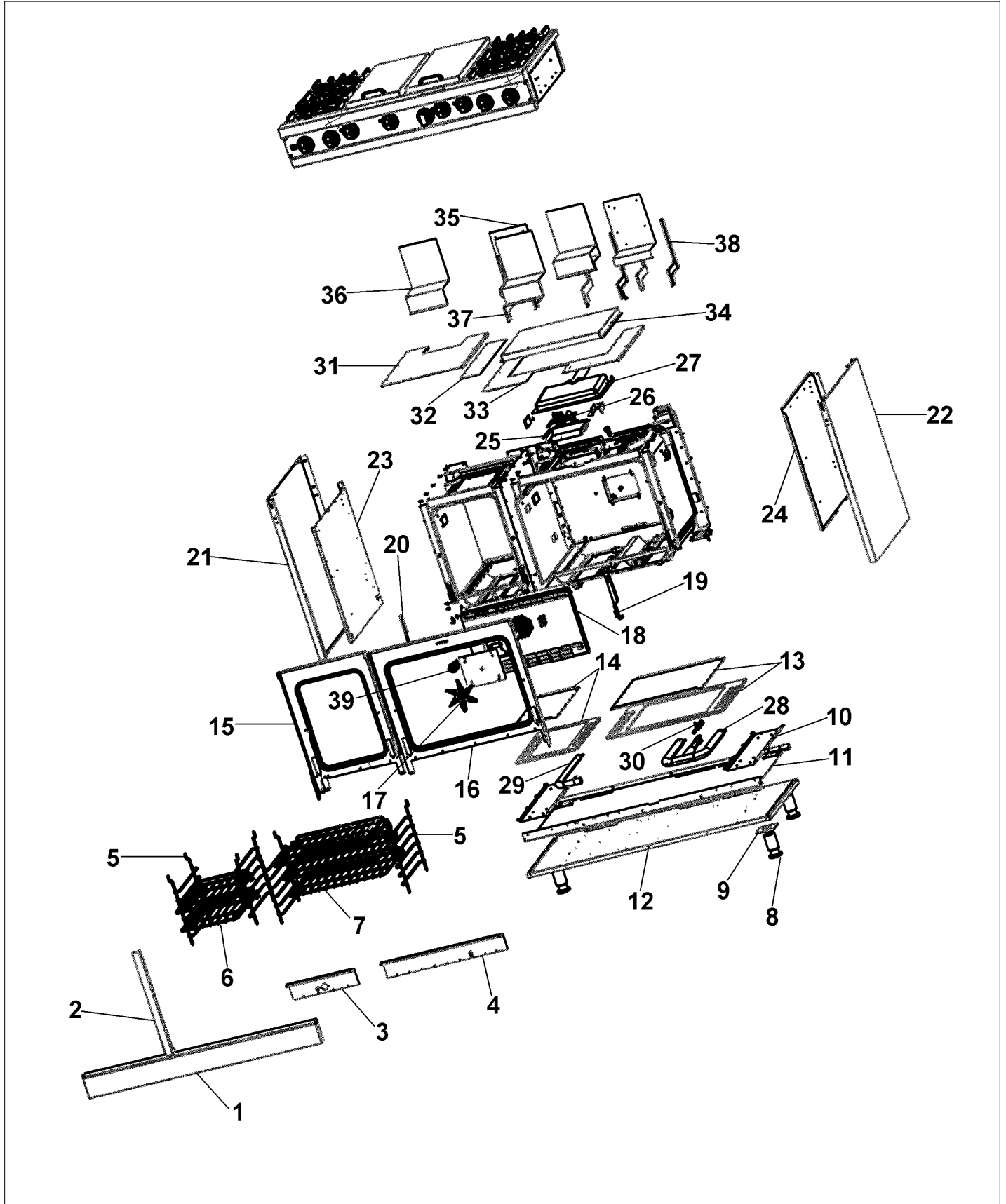


Item	Part No.	Name	Qty	Uom	NOTES
1	B2001241	LWR ACC. PNL - RPLCS B2001973		EA	
Not Shown	C9001241AL	LWR ACC PNL - RPLCS C9001973AL		EA	NO LONGER AVAILABLE, Not available online / Call for pricing and availability
Not Shown	C9001241BK	LWR ACC PNL - RPLCS C9001973BK		EA	
Not Shown	C9001241BT	LWR ACC PNL - RPLCS C9001973BT		EA	NO LONGER AVAILABLE
Not Shown	C9001241BU	LWR ACC PNL - RPLCS C9001973BU		EA	
Not Shown	C9001241CB	LWR ACC PNL - RPLCS C9001973CB		EA	NO LONGER AVAILABLE
Not Shown	C9001241EP	LWR ACC PNL - RPCLS C9001973EP		EA	NO LONGER AVAILABLE, Not available online / Call for pricing and availability
Not Shown	C9001241FG	LWR ACC PNL - RPLCS C9001973FG		EA	NO LONGER AVAILABLE, Not available online / Call for pricing and availability
Not Shown	C9001241GG	LWR ACC PNL - RPLCS C9001973GG		EA	Not available online / Call for pricing and availability
Not Shown	C9001241LE	LWR ACC PNL - RPLCS C9001973LE		EA	NO LONGER AVAILABLE
Not Shown	C9001241MJ	LWR ACC PNL - RPLCS C9001973MJ		EA	NO LONGER AVAILABLE
Not Shown	C9001241SG	LWR ACC PNL - RPLCS C9001973SG		EA	Not available online / Call for pricing and availability
Not Shown	C9001241VB	LWR ACC PNL - RPLCS C9001973VB		EA	NO LONGER AVAILABLE, Not available online / Call for pricing and availability
Not Shown	C9001241WH	LWR ACC PNL - RPLCS C9001973WH		EA	
2	B2005683	CENTER TRIM		EA	
Not Shown	C9005683AL	CENTER TRIM *AL*		EA	NO LONGER AVAILABLE, Not available online / Call for pricing and availability



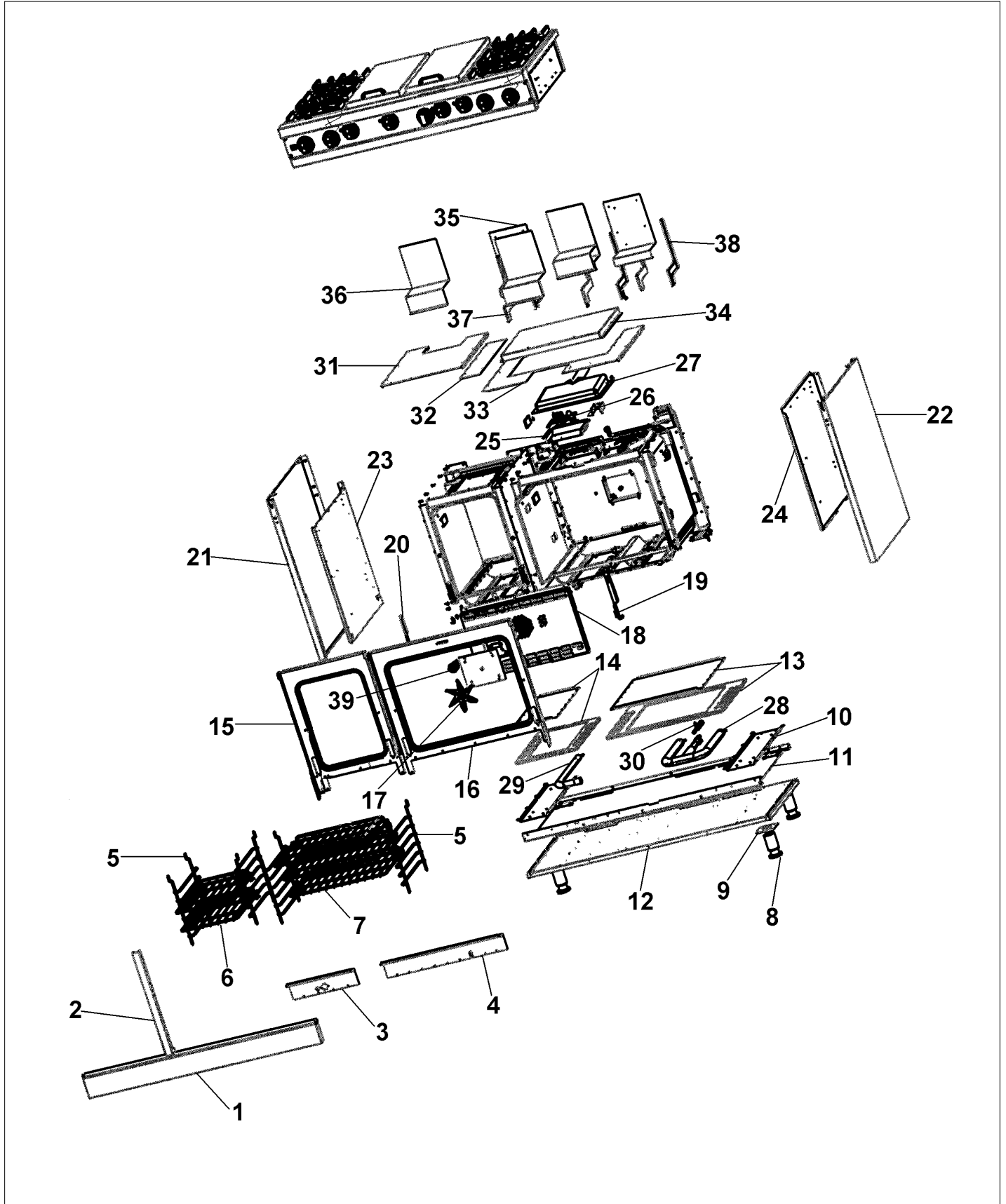


Item	Part No.	Name	Qty	Uom	NOTES
Not Shown	C9005683BK	CENTER TRIM *BK*		EA	NO LONGER AVAILABLE
Not Shown	C9005683BT	CENTER TRIM *BT*		EA	NO LONGER AVAILABLE, Not available online / Call for pricing and availability
Not Shown	C9005683BU	CENTER TRIM *BU*		EA	Not available online / Call for pricing and availability
Not Shown	C9005683CB	CENTER TRIM *CB*		EA	NO LONGER AVAILABLE
Not Shown	C9005683EP	CENTER TRIM *EP*		EA	NO LONGER AVAILABLE, Not available online / Call for pricing and availability
Not Shown	C9005683FG	CENTER TRIM *FG*		EA	NO LONGER AVAILABLE, Not available online / Call for pricing and availability
Not Shown	C9005683GG	CENTER TRIM *GG*		EA	NO LONGER AVAILABLE
Not Shown	C9005683LE	CENTER TRIM *LE*		EA	NO LONGER AVAILABLE, Not available online / Call for pricing and availability
Not Shown	C9005683MJ	CENTER TRIM *MJ*		EA	NO LONGER AVAILABLE, Not available online / Call for pricing and availability
Not Shown	C9005683SG	CENTER TRIM *SG*		EA	
Not Shown	C9005683VB	CENTER TRIM *VB*		EA	NO LONGER AVAILABLE, Not available online / Call for pricing and availability
Not Shown	C9005683WH	CENTER TRIM *WH*		EA	NO LONGER AVAILABLE, Not available online / Call for pricing and availability
3	E9105567	BURNER BOX FRONT 48LH		EA	NO LONGER AVAILABLE, Not available online / Call for pricing and availability

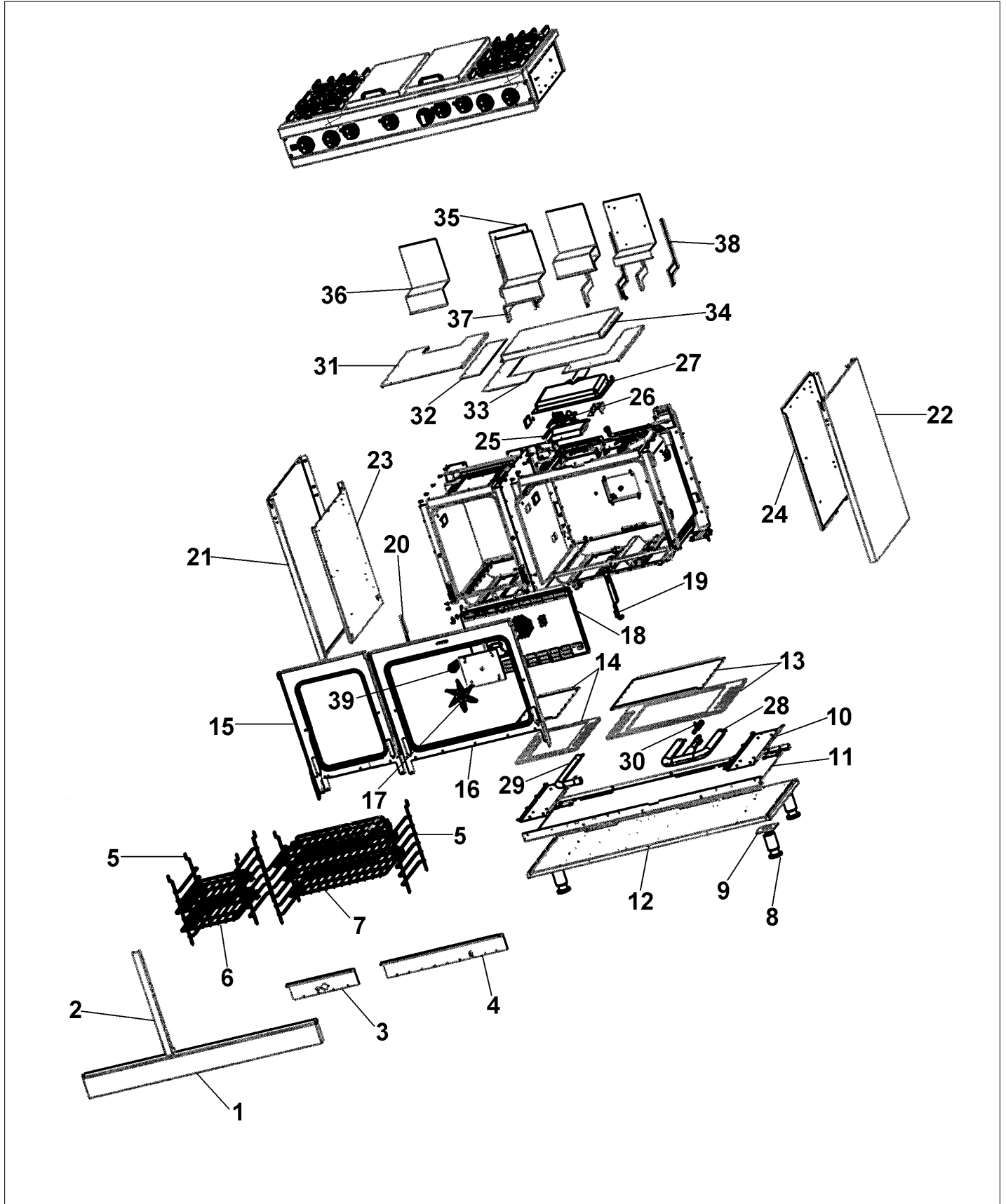




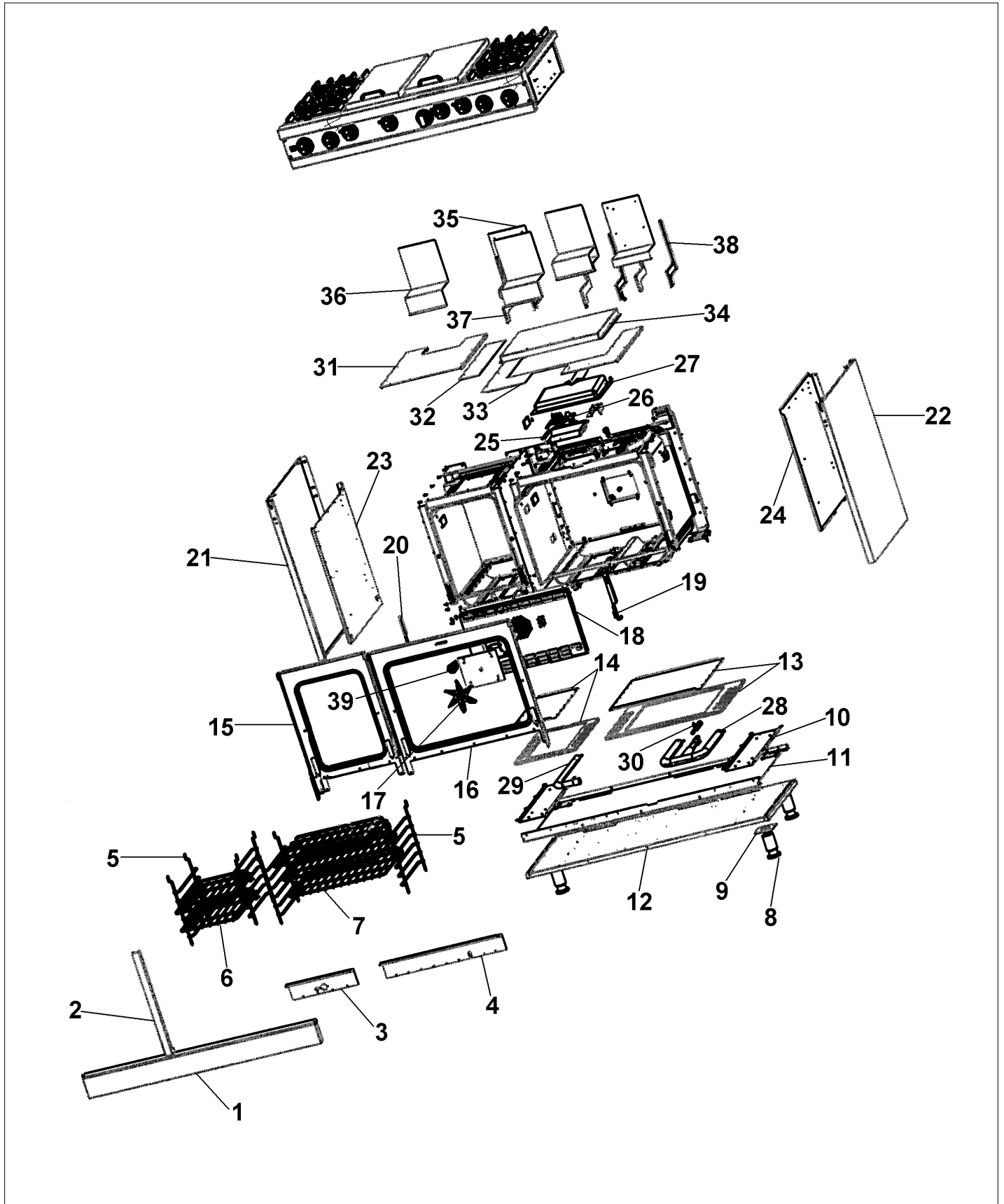
Item	Part No.	Name	Qty	Uom	NOTES
4	E9104404	BURNER BOX FRONT (VGSC306)		EA	NO LONGER AVAILABLE
5	PB060030	RACK SUPT REPL PB060010		EA	
6	PB060046	OVEN RK VDSC48-LH REPL PB060023		EA	
7	PB060044	OVEN RK VDSC30/48RH REPL PB060019		EA	
8	PC030017	4" LEG ASSY		EA	
9	PC030007	LEG PLATE - 3/4" THREADED HOLE		EA	
10	A2002482	LEG BRACE (VDSC)		EA	NO LONGER AVAILABLE
11	A2002500	MAIN BTM (VDSC485)		EA	NO LONGER AVAILABLE
12	A2002501	BTM INSULATION SHIELD (VDSC48)		EA	NO LONGER AVAILABLE, Not available online / Call for pricing and availability
13	068456-000	ASM, BOTTOM, CAVITY, OVEN, GAS, 30", GRAY		EA	
Not Shown	NOTE	(INCLUDES HEAT SHIELD)		EA	
14	068457-000	ASM, BOTTOM, CAVITY OVEN GAS 18" GRAY		EA	
Not Shown	NOTE	(INCLUDES HEAT SHIELD)		EA	
15	G9105574	OVEN FRONT FRAME ASSY 48LH		EA	NO LONGER AVAILABLE, Not available online / Call for pricing and availability
16	G9102521	FRONT FRAME ASSY RH (VDSC48)		EA	
17	PE050057	CONVECTION FAN (VGSC306)		EA	
18	G9104482	CONVECTION FAN COVER ASSY (VGSC306)		EA	
19	PC020009	HINGE ASSY (BROWN)		EA	
20	PC020007	HINGE ASSY (NO COLOR)		EA	
21	B2005682	O/S BODY PANEL - LH (VGSC4864GQ)		EA	



Item	Part No.	Name	Qty	Uom	NOTES
Not Shown	C9005682AL	O/S BODY PANEL - LH (VGSC4864GQ) AL		EA	NO LONGER AVAILABLE, Not available online / Call for pricing and availability
Not Shown	C9005682BK	O/S BODY PANEL - LH (VGSC4864GQ) BK		EA	NO LONGER AVAILABLE
Not Shown	C9005682BT	O/S BODY PANEL - LH (VGSC4864GQ) BT		EA	Not available online / Call for pricing and availability
Not Shown	C9005682BU	O/S BODY PANEL - LH (VGSC4864GQ) BU		EA	NO LONGER AVAILABLE, Not available online / Call for pricing and availability
Not Shown	C9005682CB	O/S BODY PANEL - LH (VGSC4864GQ) CB		EA	NO LONGER AVAILABLE, Not available online / Call for pricing and availability
Not Shown	C9005682EP	O/S BODY PANEL - LH (VGSC4864GQ) EP		EA	NO LONGER AVAILABLE, Not available online / Call for pricing and availability
Not Shown	C9005682FG	O/S BODY PANEL - LH (VGSC4864GQ) FG		EA	NO LONGER AVAILABLE, Not available online / Call for pricing and availability
Not Shown	C9005682GG	O/S BODY PANEL - LH (VGSC4864GQ) GG		EA	NO LONGER AVAILABLE
Not Shown	C9005682LE	O/S BODY PANEL - LH (VGSC4864GQ) LE		EA	NO LONGER AVAILABLE, Not available online / Call for pricing and availability
Not Shown	C9005682MJ	O/S BODY PANEL - LH (VGSC4864GQ) MJ		EA	NO LONGER AVAILABLE, Not available online / Call for pricing and availability
Not Shown	C9005682SG	O/S BODY PANEL - LH (VGSC4864GQ) SG		EA	
Not Shown	C9005682VB	O/S BODY PANEL - LH (VGSC4864GQ) VB		EA	NO LONGER AVAILABLE, Not available online / Call for pricing and availability
Not Shown	C9005682WH	O/S BODY PANEL - LH (VGSC4864GQ) WH		EA	NO LONGER AVAILABLE

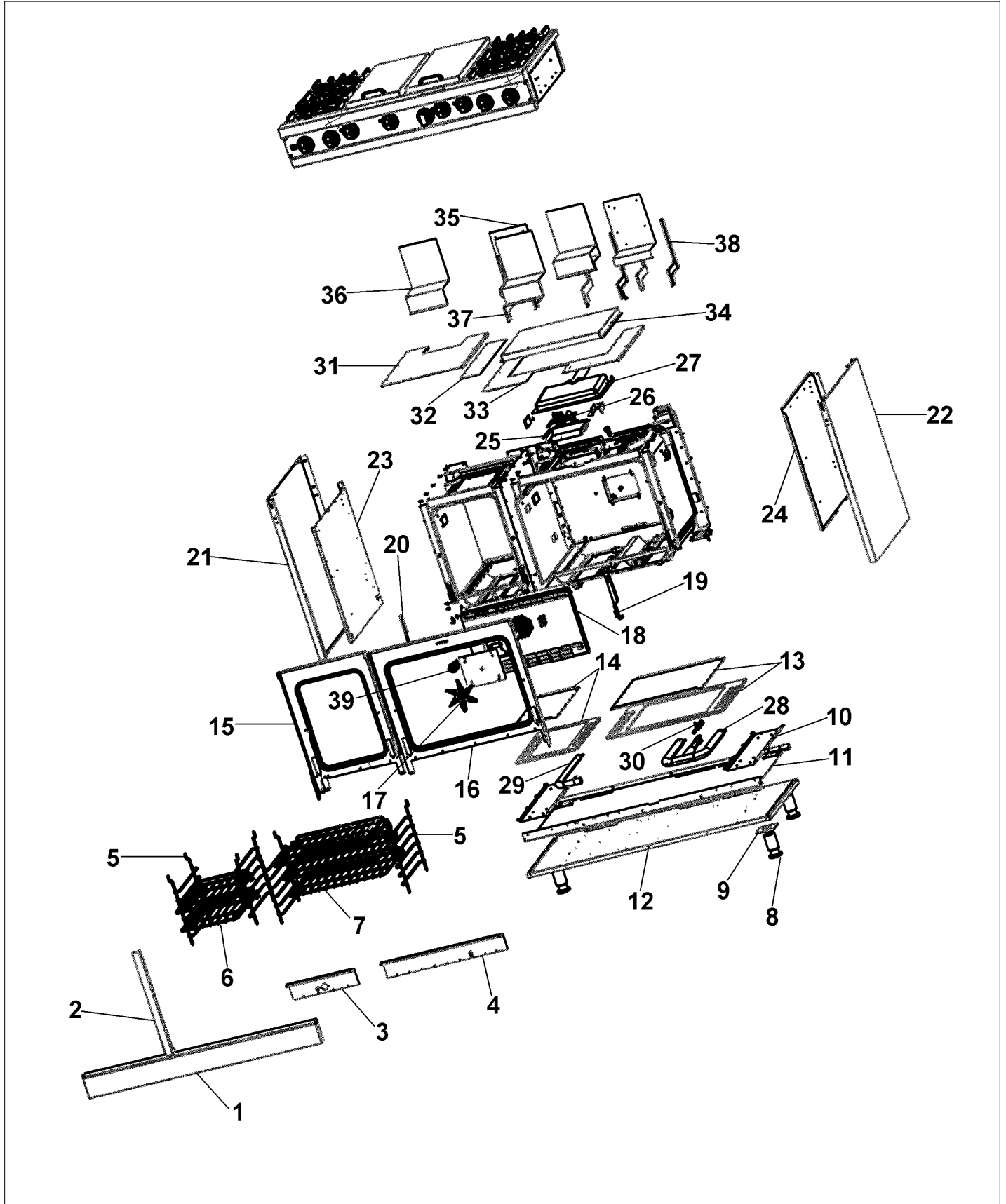


Item	Part No.	Name	Qty	Uom	NOTES
22	B2005681	O/S BODY PANEL - RH (VGSC4864GQ)		EA	
Not Shown	C9005681AL	O/S BODY PANEL - RH (VGSC4864GQ) AL		EA	NO LONGER AVAILABLE, Not available online / Call for pricing and availability
Not Shown	C9005681BK	O/S BODY PANEL - RH (VGSC4864GQ) BK		EA	NO LONGER AVAILABLE
Not Shown	C9005681BT	O/S BODY PANEL - RH (VGSC4864GQ) BT		EA	NO LONGER AVAILABLE
Not Shown	C9005681BU	O/S BODY PANEL - RH (VGSC4864GQ) BU		EA	NO LONGER AVAILABLE
Not Shown	C9005681CB	O/S BODY PANEL - RH (VGSC4864GQ) CB		EA	NO LONGER AVAILABLE, Not available online / Call for pricing and availability
Not Shown	C9005681EP	O/S BODY PANEL - RH (VGSC4864GQ) EP		EA	NO LONGER AVAILABLE, Not available online / Call for pricing and availability
Not Shown	C9005681FG	O/S BODY PANEL - RH (VGSC4864GQ) FG		EA	NO LONGER AVAILABLE, Not available online / Call for pricing and availability
Not Shown	C9005681GG	O/S BODY PANEL - RH (VGSC4864GQ) GG		EA	NO LONGER AVAILABLE
Not Shown	C9005681LE	O/S BODY PANEL - RH (VGSC4864GQ) LE		EA	NO LONGER AVAILABLE, Not available online / Call for pricing and availability
Not Shown	C9005681MJ	O/S BODY PANEL - RH (VGSC4864GQ) MJ		EA	NO LONGER AVAILABLE, Not available online / Call for pricing and availability
Not Shown	C9005681SG	O/S BODY PANEL - RH (VGSC4864GQ) SG		EA	
Not Shown	C9005681VB	O/S BODY PANEL - RH (VGSC4864GQ) VB		EA	NO LONGER AVAILABLE, Not available online / Call for pricing and availability
Not Shown	C9005681WH	O/S BODY PANEL - RH (VGSC4864GQ) WH		EA	NO LONGER AVAILABLE, Not available online / Call for pricing and availability





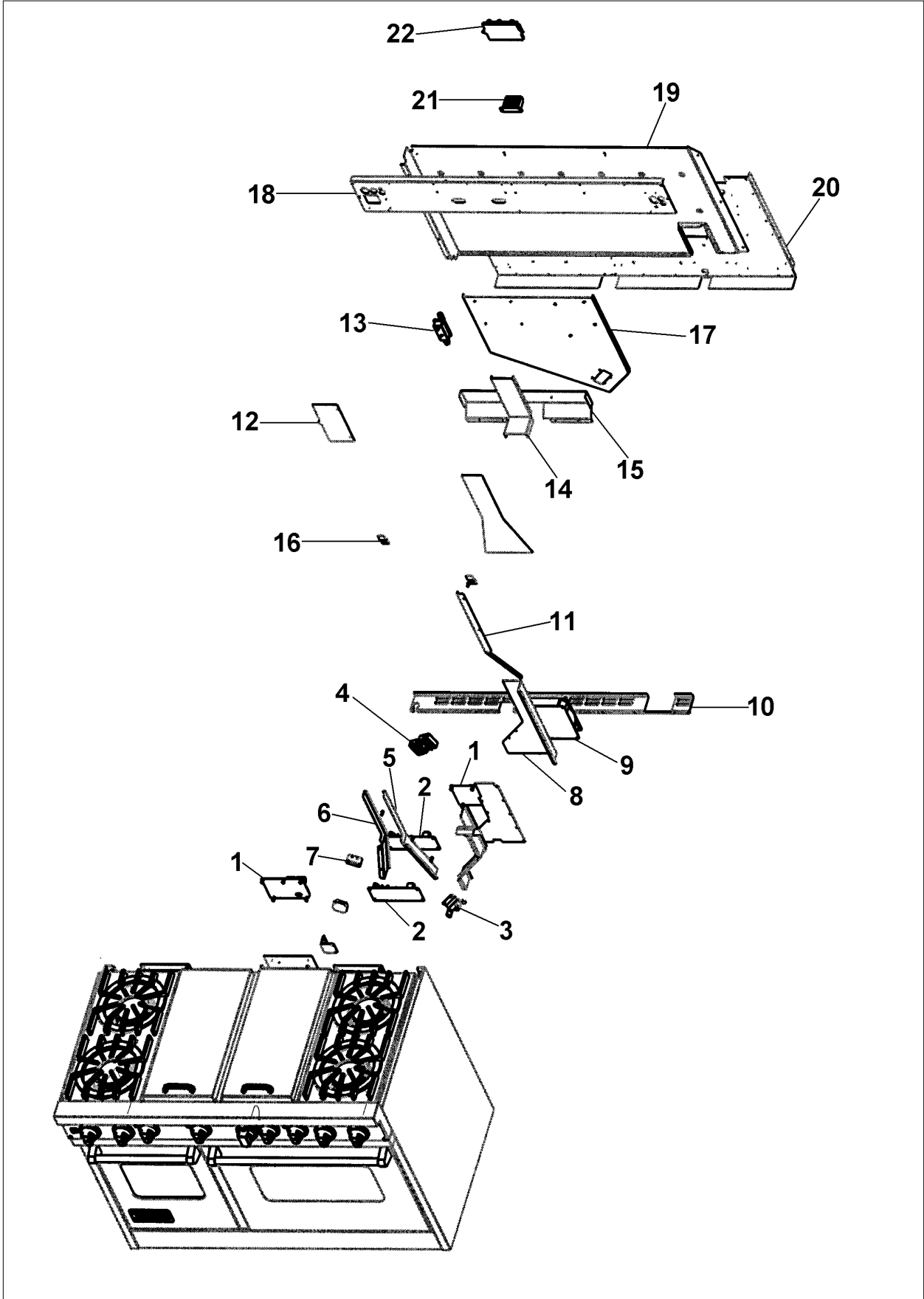
Item	Part No.	Name	Qty	Uom	NOTES
23	A2005550	OVEN SIDE INSUL RETAINER		EA	NO LONGER AVAILABLE, Not available online / Call for pricing and availability
24	A2005549	OVEN SIDE INSUL RETAINER R.H.		EA	NO LONGER AVAILABLE, Not available online / Call for pricing and availability
25	A2004423	DOOR LOCK BOX (VGSC306)		EA	
NI	PE050059	HI-LIMIT SWITCH		EA	
26	PE050053	DR LATCH REPL PE050020		EA	
27	G3001876	IR BURNER ASSY (VGSC/RC) N/S		EA	
NI	PB040171	BROIL IGNITION ELECTRODE		EA	
28	006197-000	U-SHAPE BAKE BURNER 8"		EA	
29	PB050065	OVEN BURNER, LH		EA	
Comments for Part Num. PB050065					
bradleysapplianceservice@shaw.ca on Feb 22, 2019					
IF BAKE ELECTRODE FOR LEFT HAND 18" OVEN WITH PB050065 BAKE BURNER IS REQUIRED - USE PB040273 BAKE IGNITION ELECTRODE.					
Not Shown	NOTE	(units built before 08-31-2006)		EA	
NI	PB050080	VGSC486 LH OVEN BURNER		EA	
Not Shown	NOTE	(units built on or after 08-31-2006)		EA	
NI	A2005665	LH IGNITOR BRACKET		EA	
Not Shown	NOTE	(units built before 08-30-2006)		EA	
NI	PB040273	BAKE IGNITION ELECTRODE		EA	
Not Shown	NOTE	(FOR LH OVEN BURNER)		EA	
30	PB040170	BAKE IGNITION ELECTRODE		EA	
31	A2005560	OVEN TOP INSULATION RETAINER 48LH		EA	NO LONGER AVAILABLE, Not available online / Call for pricing and availability



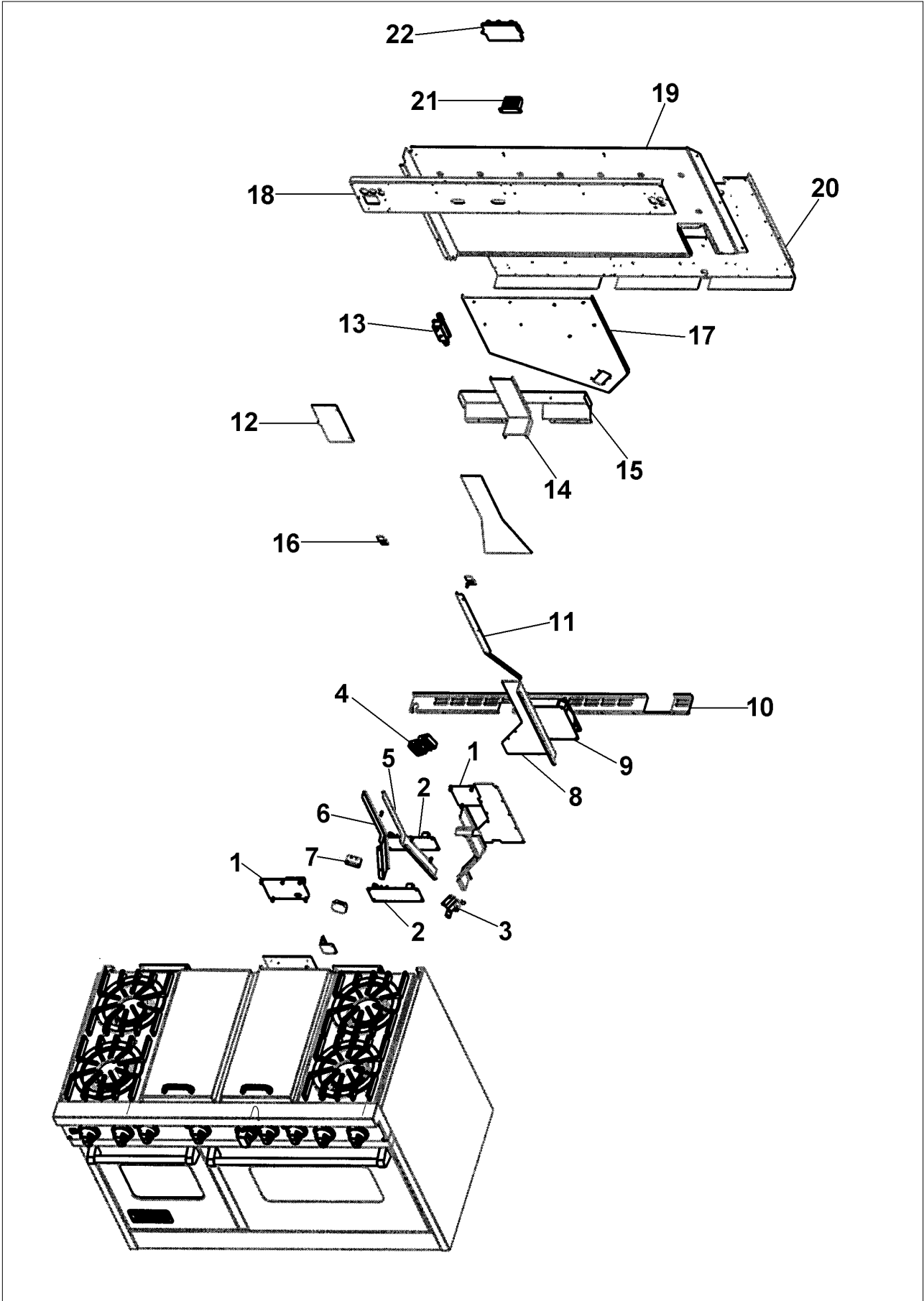


Item	Part No.	Name	Qty	Uom	NOTES
32	A1005678	CENTER AIR DIVERTER		EA	NO LONGER AVAILABLE, Not available online / Call for pricing and availability
33	A2005580	TOP INSULATION RETAINER RH		EA	NO LONGER AVAILABLE, Not available online / Call for pricing and availability
34	A2005561	TOP INSULATION BOX		EA	NO LONGER AVAILABLE, Not available online / Call for pricing and availability
35	A2004420	FLUE BACK (VGSC306)		EA	NO LONGER AVAILABLE, Not available online / Call for pricing and availability
36	A2004421	FLUE FRONT (VGSC306)		EA	NO LONGER AVAILABLE, Not available online / Call for pricing and availability
37	A2004400	FLUE SIDE LH (VGSC306)		EA	NO LONGER AVAILABLE, Not available online / Call for pricing and availability
38	A2004402	FULE SIDE RH (VGSC306)		EA	NO LONGER AVAILABLE, Not available online / Call for pricing and availability
39	PE050056	OVEN LIGHT ASSY 12V/5W		EA	
NI	PB020111	TUBING,FLEX,38"		EA	
NI	PB020113	3/8 SS FLEX TUBING - 52" T6-52		EA	
NI	PB020126	3/8" S.S. FLEX TUBING 15" (DGCU)		EA	
NI	PB020127	3/8" S.S. FLEX TUBING 20" (DGCU)		EA	
NI	PB020135	FLEX TUBING 34"		EA	
NI	PB020136	44" 3/8 S.S. FLEX TUBING T6-44		EA	
NI	PB020025	TUBING-GRILL (REVISED) REP PB020021		EA	
NI	019503-000	48" CURB BASE KIT		EA	

REAR PANEL ASSY



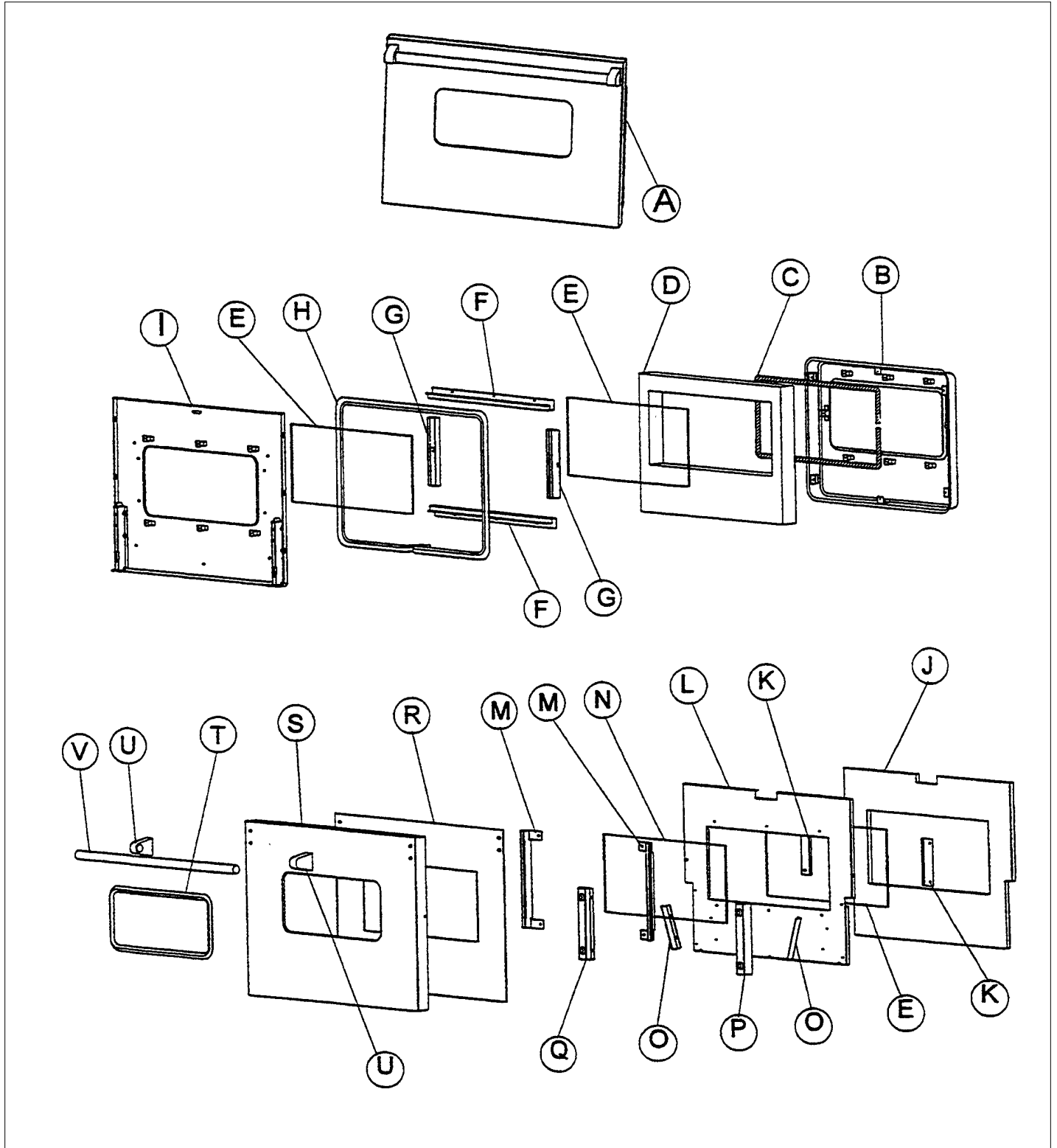
Item	Part No.	Name	Qty	Uom	NOTES
1	PA020027	SUB TO PA020035 - DSI MODULE	1	EA	NO LONGER AVAILABLE
2	PE070148	SELF-CLEAN BOARD/TIMER (VDSC)	1	EA	
3	A2004469	COOLING FAN DUCT AIR COVER(VGSC306)	1	EA	NO LONGER AVAILABLE, Not available online / Call for pricing and availability
4	PJ030002	AUTO RESET (SELF-CLEAN) VDSC	1	EA	
NI	PA010139	F J T VALVE REPL PA010079	1	EA	
5	A2004443	BROILER FLUE SIDE LH (VGSC306)	1	EA	NO LONGER AVAILABLE, Not available online / Call for pricing and availability
6	A2004442	BROILER FLUE SIDE RH (VGSC306)	1	EA	NO LONGER AVAILABLE, Not available online / Call for pricing and availability
7	A2004450	BRACKET MVS SOLINOID	1	EA	NO LONGER AVAILABLE, Not available online / Call for pricing and availability
8	A2004447	COOLING FAN DUCT FRONT (VGSC306)	1	EA	NO LONGER AVAILABLE, Not available online / Call for pricing and availability
9	PE050026	COOLING FAN (VDSC)	1	EA	
NI	PJ030006	SWITCH (COOLING FAN)	1	EA	
10	A2005584	O/S OVEN BACK BOTTOM	1	EA	NO LONGER AVAILABLE
11	A2005685	48 BACK AIR DEFLECTOR	1	EA	NO LONGER AVAILABLE, Not available online / Call for pricing and availability
12	A1005686	48" GAS SLOT PROTECTOR	1	EA	NO LONGER AVAILABLE
13	PB010083	SINGLE THERMAL VALVE LH (OVEN)	1	EA	
14	A2004445	BROILER FLUE BACK (VGSC306)	1	EA	NO LONGER AVAILABLE, Not available online / Call for pricing and availability



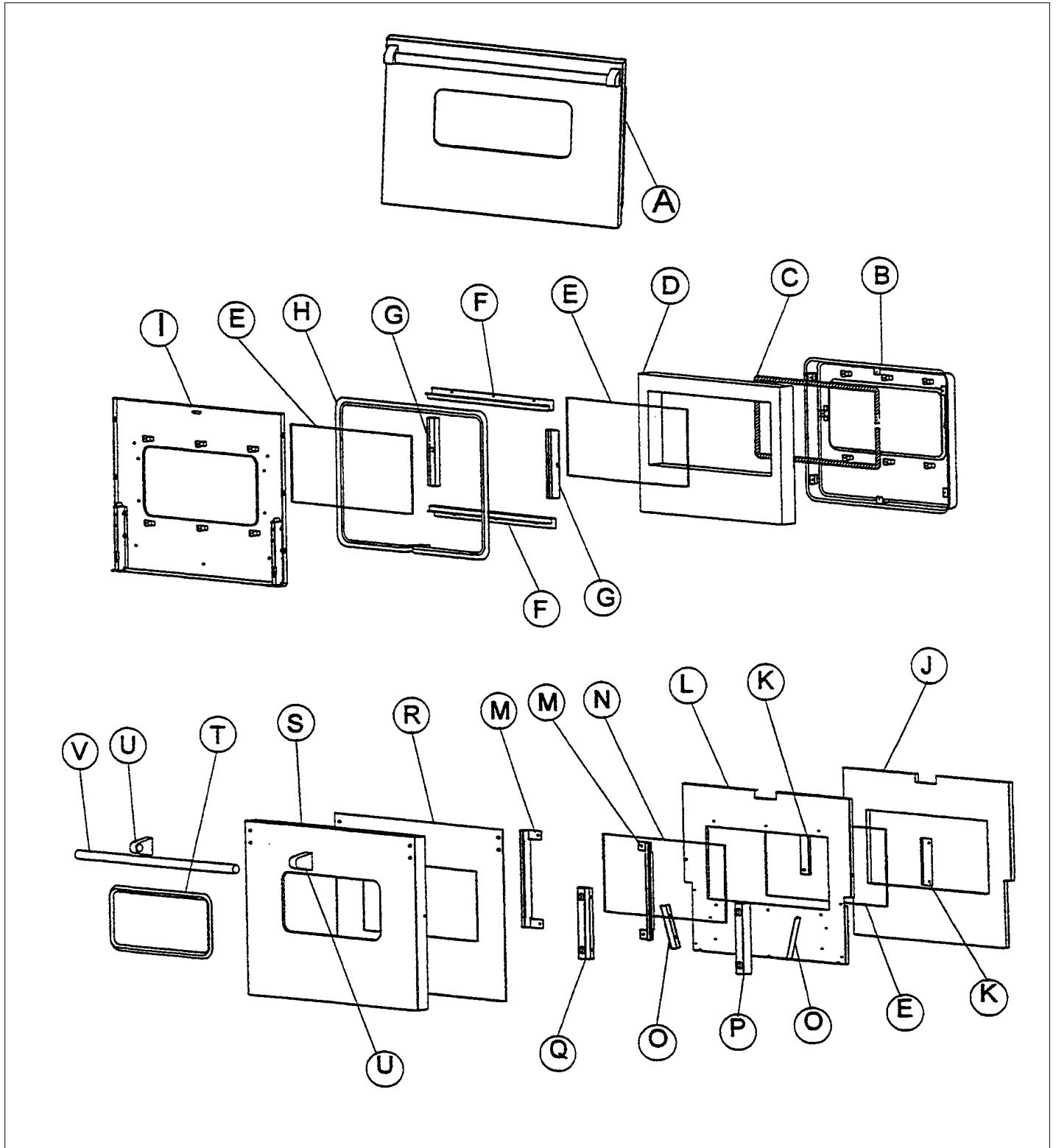


Item	Part No.	Name	Qty	Uom	NOTES
15	A2004464	FLUE HEAT SHIELD (VGSC306)	1	EA	NO LONGER AVAILABLE
16	A2005735	BACKGUARD SUPPORT BRACKET	1	EA	
17	A2004468	BACK AIR CHANNEL (VGSC306)	1	EA	NO LONGER AVAILABLE, Not available online / Call for pricing and availability
18	A2005594	REAR SUPPORT	1	EA	NO LONGER AVAILABLE
19	A2005583	48 REAR COVER	1	EA	NO LONGER AVAILABLE
20	A2005578	O/S OVEN BACK 48	1	EA	NO LONGER AVAILABLE, Not available online / Call for pricing and availability
21	PE070468	TRANSFORMER HALOGEN LIGHTS REPLACES PE070222	1	EA	
22	PA020048	Spark Module (6B /6G/ 4Q)	1	EA	
Not Shown	PA020047	INVENSYS 0+4 RE-IGNITION SPARK MODULE	1	EA	
NI	A2002654	ANTI-TIP DEVICE (VDSC)	1	EA	
NI	PE070128	Supply Cord	1	EA	
NI	PE050001	TERMINAL BOARD	1	EA	
NI	PM010029	RELAY (DOUBLE POLE-DOUBLE THROW)TEM	1	EA	

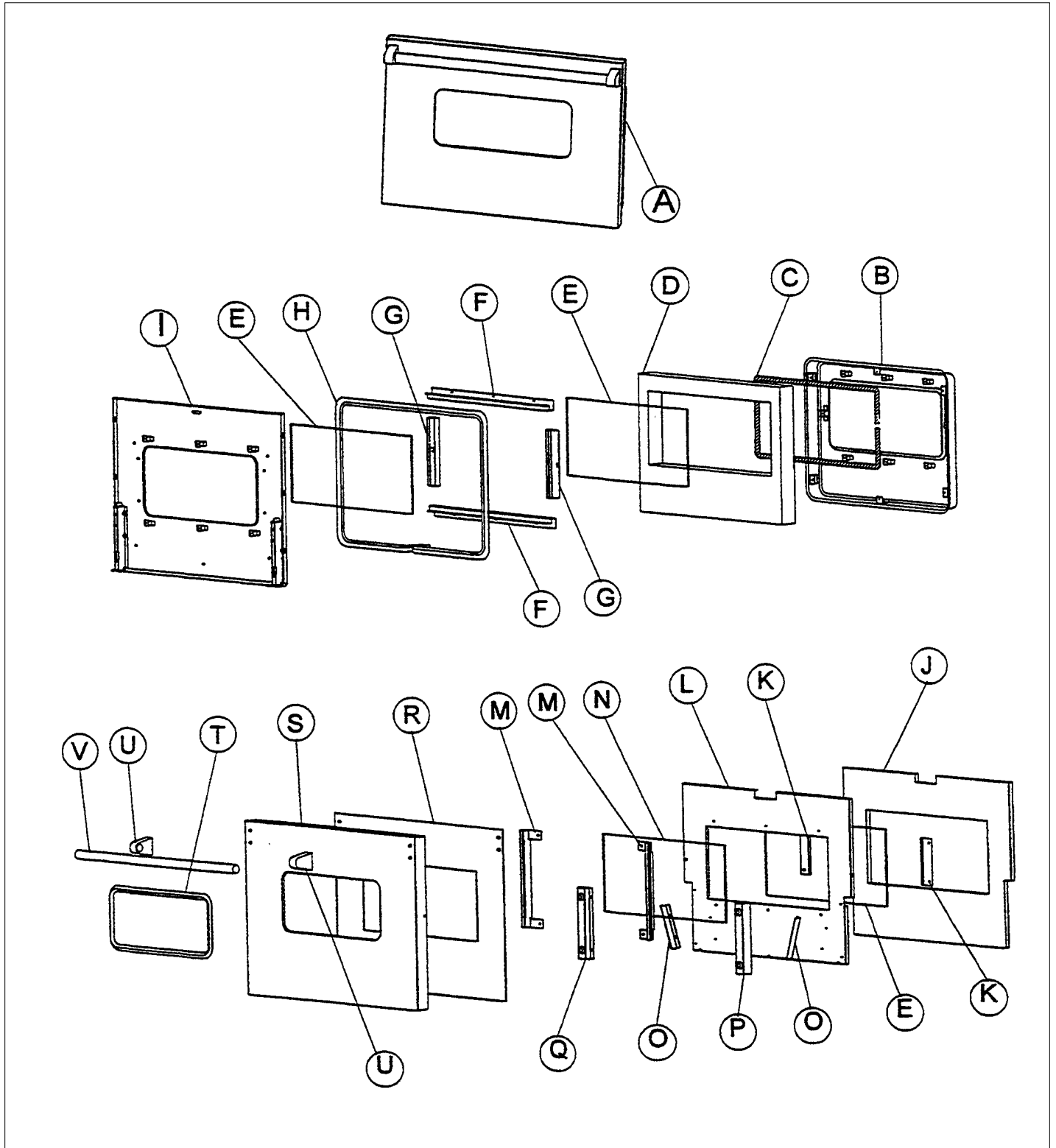
RH DOOR ASSY



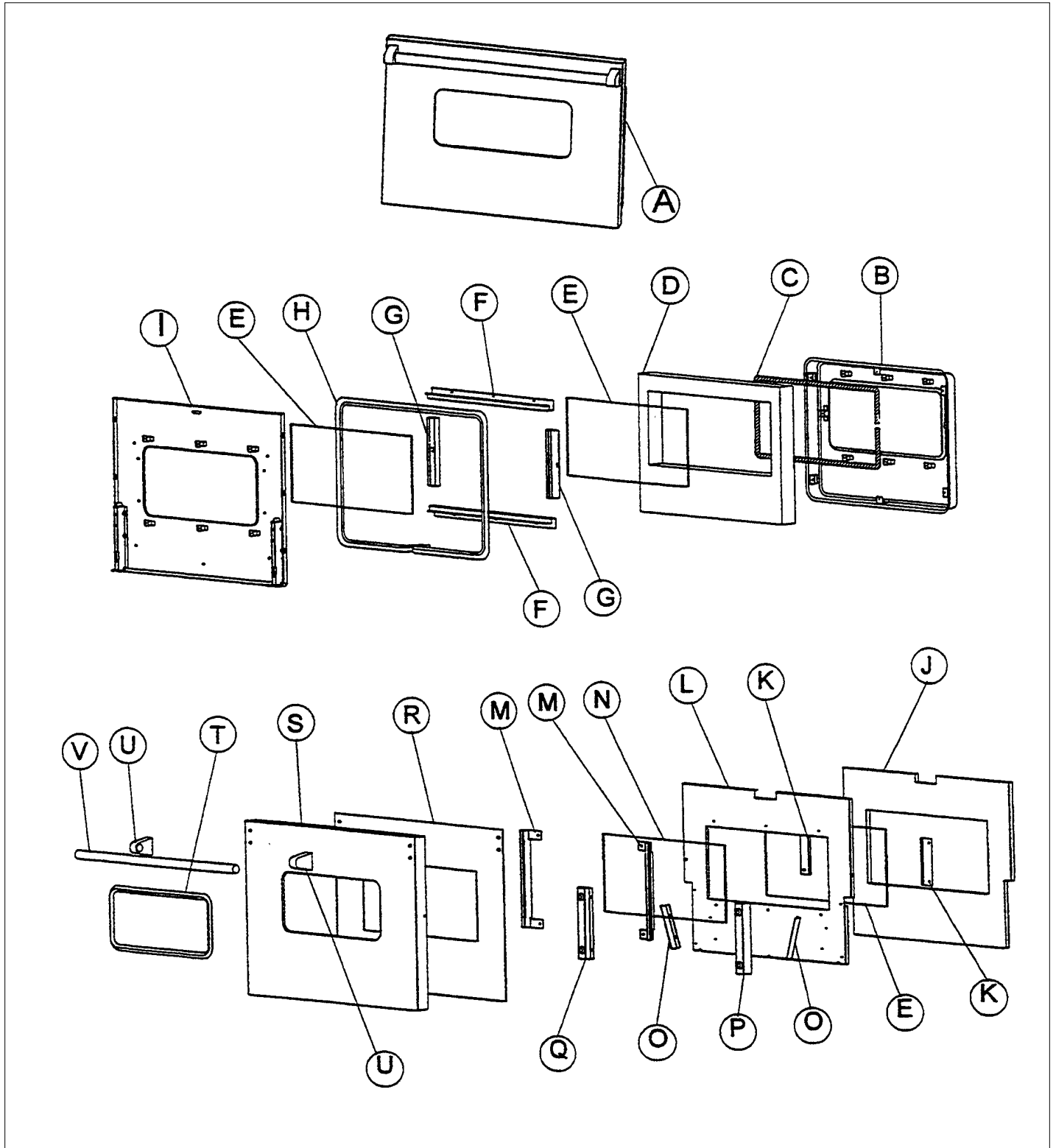
Item	Part No.	Name	Qty	Uom	NOTES
A	G3202549AL	DOOR SUB-ASSY- RH *AL* (VDSC48)	1	EA	NO LONGER AVAILABLE, Not available online / Call for pricing and availability
Not Shown	G3202549ALBR	DOOR SUB-ASSY- RH *AL**BR* (VDSC48)	1	EA	NO LONGER AVAILABLE, Not available online / Call for pricing and availability
Not Shown	G3202549BK	DOOR SUB-ASSY- RH *BK* (VDSC48)	1	EA	Not available online / Call for pricing and availability
Not Shown	G3202549BKBR	DOOR SUB-ASSY- RH *BK**BR* (VDSC48)	1	EA	NO LONGER AVAILABLE
Not Shown	G3202549BT	DOOR SUB-ASSY-RH *BT* (VDSC48)	1	EA	NO LONGER AVAILABLE, Not available online / Call for pricing and availability
Not Shown	G3202549BTBR	COMPLETE DOOR ASSEMBLY - BTBR	1	EA	Not available online / Call for pricing and availability
Not Shown	G3202549BU	DOOR SUB-ASSY- RH *BU* (VDSC48)	1	EA	NO LONGER AVAILABLE
Not Shown	G3202549BUBR	DOOR SUB-ASSY- RH *BU**BR* (VDSC48)	1	EA	NO LONGER AVAILABLE, Not available online / Call for pricing and availability
Not Shown	G3202549CB	DOOR SUB-ASSY-RH *CB* (VDSC48)	1	EA	NO LONGER AVAILABLE, Not available online / Call for pricing and availability
Not Shown	G3202549CBBR	COMPLETE DOOR ASSEMBLY - CBBR	1	EA	Not available online / Call for pricing and availability
Not Shown	G3202549EP	DOOR SUB-ASSY- RH *EP* (VDSC48)	1	EA	NO LONGER AVAILABLE, Not available online / Call for pricing and availability
Not Shown	G3202549EPBR	COMPLETE DOOR ASSEMBLY - EPBR	1	EA	Not available online / Call for pricing and availability



Item	Part No.	Name	Qty	Uom	NOTES
Not Shown	G3202549FG	DOOR SUB-ASSY- RH *FG* (VDSC48)	1	EA	NO LONGER AVAILABLE, Not available online / Call for pricing and availability
Not Shown	G3202549FGBR	DOOR SUB-ASSY- RH *FG**BR* (VDSC48)	1	EA	NO LONGER AVAILABLE, Not available online / Call for pricing and availability
Not Shown	G3202549GG	DOOR SUB-ASSY-RH *GG* (VDSC48)	1	EA	NO LONGER AVAILABLE, Not available online / Call for pricing and availability
Not Shown	G3202549GGBR	DOOR SUB-ASSY- RH *GG*BR* (VDSC48)	1	EA	NO LONGER AVAILABLE, Not available online / Call for pricing and availability
Not Shown	G3202549LE	DOOR SUB-ASSY-RH *LE* (VDSC48)	1	EA	NO LONGER AVAILABLE, Not available online / Call for pricing and availability
Not Shown	G3202549LEBR	COMPLETE DOOR ASSEMBLY - LEBR	1	EA	Not available online / Call for pricing and availability
Not Shown	G3202549MJ	DOOR SUB-ASSY-RH *MJ* (VDSC48)	1	EA	NO LONGER AVAILABLE, Not available online / Call for pricing and availability
Not Shown	G3202549MJBR	COMPLETE DOOR ASSEMBLY - MJBR	1	EA	Not available online / Call for pricing and availability
Not Shown	G3202549SG	DOOR SUB-ASSY- RH *SG* (VDSC48)	1	EA	NO LONGER AVAILABLE
Not Shown	G3202549SGBR	COMPLETE DOOR ASSEMBLY - SGBR	1	EA	Not available online / Call for pricing and availability
Not Shown	G3202549SS	DOOR SUB-ASSY- RH *SS* (VDSC48)	1	EA	
Not Shown	G3202549SSBR	DOOR SUB-ASSY- RH *SS**BR* (VDSC48)	1	EA	NO LONGER AVAILABLE, Not available online / Call for pricing and availability

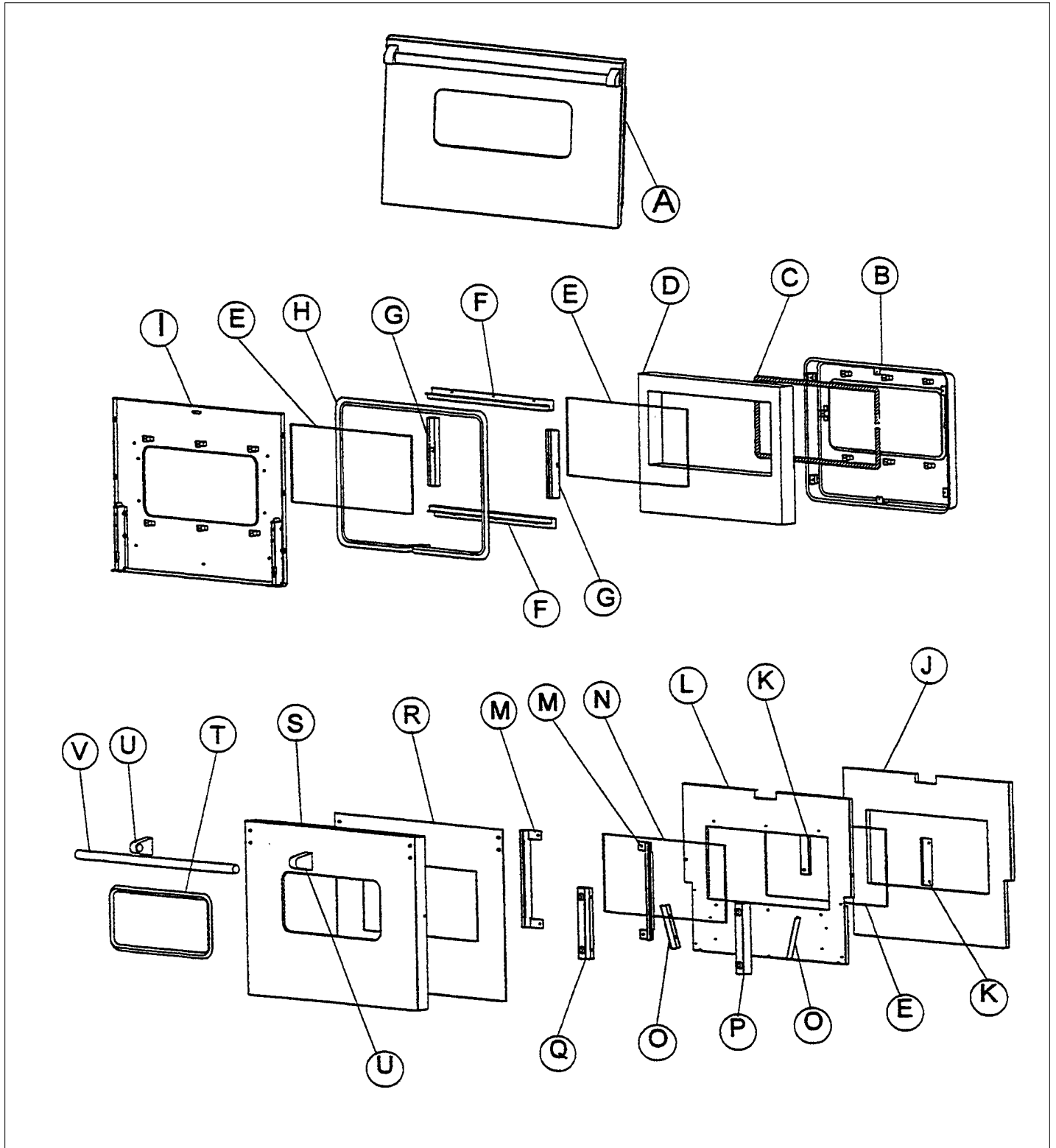


Item	Part No.	Name	Qty	Uom	NOTES
Not Shown	G3202549VB	DOOR SUB-ASSY- RH *VB* (VDSC48)	1	EA	NO LONGER AVAILABLE, Not available online / Call for pricing and availability
Not Shown	G3202549VBBR	DOOR SUB-ASSY- RH *VB**BR* (VDSC48)	1	EA	NO LONGER AVAILABLE, Not available online / Call for pricing and availability
Not Shown	G3202549WH	DOOR SUB-ASSY- RH *WH* (VDSC48)	1	EA	NO LONGER AVAILABLE, Not available online / Call for pricing and availability
Not Shown	G3202549WHBR	DOOR SUB-ASSY- RH *WH**BR* (VDSC48)	1	EA	NO LONGER AVAILABLE, Not available online / Call for pricing and availability
B	G9102745	DR PG ASSY VDSC30/48" RE H9102175 (Before 12/20/2012)	1	EA	
C	000594-000	BLACK FIBERGLASS ROPE 3/8	1	EA	
D	D2003026	DOOR PLUG INSULATION (VDSC365)	1	EA	NO LONGER AVAILABLE, Not available online / Call for pricing and availability
E	PE060064	WINDOW PACK, SELF CLEANING OVEN 30"	1	EA	
F	E9102178	WINDOW LINER-TOP/BTM (VDSC)	1	EA	
G	E9102179	WINDOW LINER-SIDE (VDSC)	1	EA	
H	000623-000	DOOR GASKET(3/8"DIA.) (VDSC)	1	EA	
I	G9102747	DR LINER ASY(VDSC30/48)REP H9102173	1	EA	
J	PB070034	INSULATION-TRS-10 1" X 20" X 77' ROLL	1	EA	
K	A2002189	DOOR GLASS STANDOFF (VDSC)	1	EA	
L	A2002169	DOOR INSULATION RETAINER (VDSC30)	1	EA	
M	A2002367	DOOR GLASS BRKT	1	EA	
N	PE060030	OUTER DOOR GLASS	1	EA	
O	A2002497	DOOR GUIDE ANGLE VDSC	1	EA	
P	A2002498	HINGE POCKET COVER RH	1	EA	





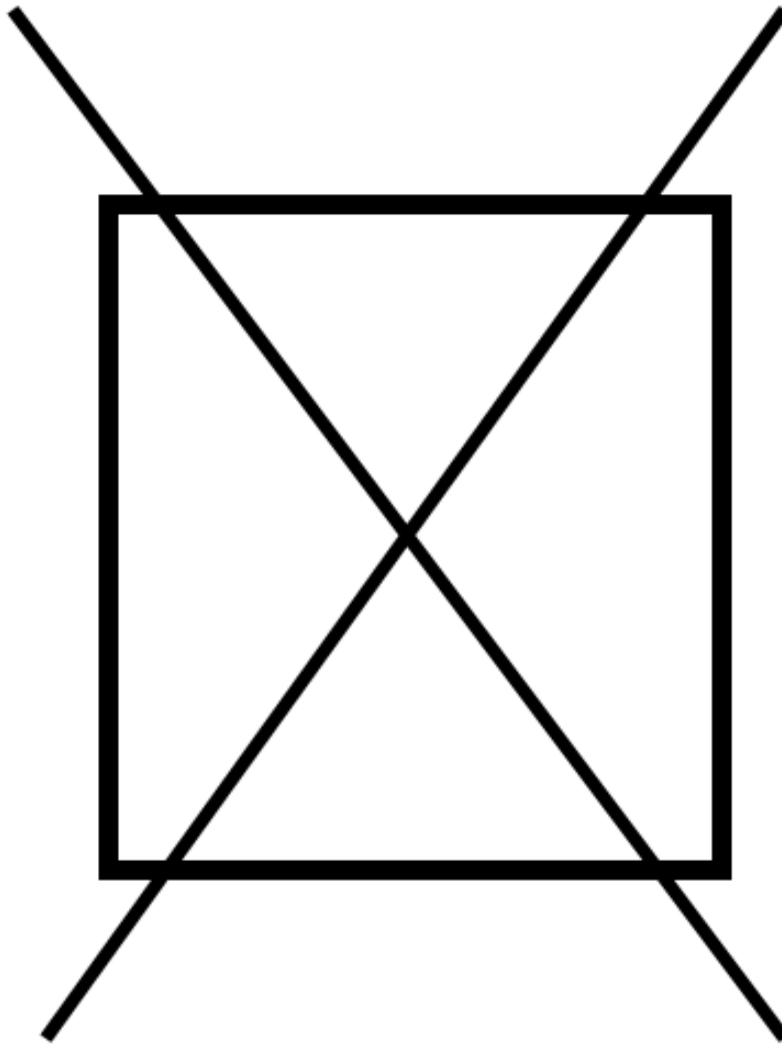
Item	Part No.	Name	Qty	Uom	NOTES
Q	A2002499	HINGE POCKET COVER LH	1	EA	
R	J1002594	OVEN DR HEAT SINK (VDSC30)	1	EA	
S	B2002528	O/S DOOR PANEL RH *SS* (VDSC48)	1	EA	
Not Shown	C9002528AL	O/S DOOR PANEL-RH *AL* (VDSC48)	1	EA	NO LONGER AVAILABLE
Not Shown	C9002528BK	O/S DOOR PANEL-RH *BK* (VDSC48)	1	EA	
Not Shown	C9002528BT	O/S DOOR PANEL-RH *BT* (VDSC48)	1	EA	NO LONGER AVAILABLE
Not Shown	C9002528BU	O/S DOOR PANEL-RH *BU* (VDSC48)	1	EA	
Not Shown	C9002528CB	O/S DOOR PANEL-RH *CB* (VDSC48)	1	EA	Not available online / Call for pricing and availability
Not Shown	C9002528EP	O/S DOOR PANEL-RH *EP* (VDSC48)	1	EA	NO LONGER AVAILABLE, Not available online / Call for pricing and availability
Not Shown	C9002528FG	O/S DOOR PANEL-RH *FG* (VDSC48)	1	EA	NO LONGER AVAILABLE, Not available online / Call for pricing and availability
Not Shown	C9002528GG	O/S DOOR PANEL-RH *GG* (VDSC48)	1	EA	Not available online / Call for pricing and availability
Not Shown	C9002528LE	O/S DOOR PANEL-RH *LE* (VDSC48)	1	EA	NO LONGER AVAILABLE
Not Shown	C9002528MJ	O/S DOOR PANEL-RH *MJ* (VDSC48)	1	EA	NO LONGER AVAILABLE, Not available online / Call for pricing and availability
Not Shown	C9002528PL	O/S DOOR PANEL-RH *PL* (VDSC48)	1	EA	NO LONGER AVAILABLE, Not available online / Call for pricing and availability
Not Shown	C9002528SG	O/S DOOR PANEL-RH *SG* (VDSC48)	1	EA	Not available online / Call for pricing and availability





Item	Part No.	Name	Qty	Uom	NOTES
Not Shown	C9002528VB	O/S DOOR PANEL-RH *VB* (VDSC48)	1	EA	NO LONGER AVAILABLE, Not available online / Call for pricing and availability
Not Shown	C9002528WH	O/S DOOR PANEL-RH *WH* (VDSC48)	1	EA	NO LONGER AVAILABLE
T	PE060031	J-MOLD (LARGE WINDOW)	1	EA	
Not Shown	PE060045	J-MOLD (LARGE WINDOW) *BR*	1	EA	
U	000268-000	HANDLE ENDCAP	1	EA	
Not Shown	PE030001PVD	END CAP DOOR HANDLE *BR	1	EA	
V	PE030005	DOOR HANDLE - VGSC30/RC60/RC48RH	1	EA	
Not Shown	PE030012PVD	DOOR HANDLE - RH - (30"/48") PVD	1	EA	
NI	PD020032	SRW-8(A)X3/8"PH.WFR HD 7/16DIA*NICL	1	EA	

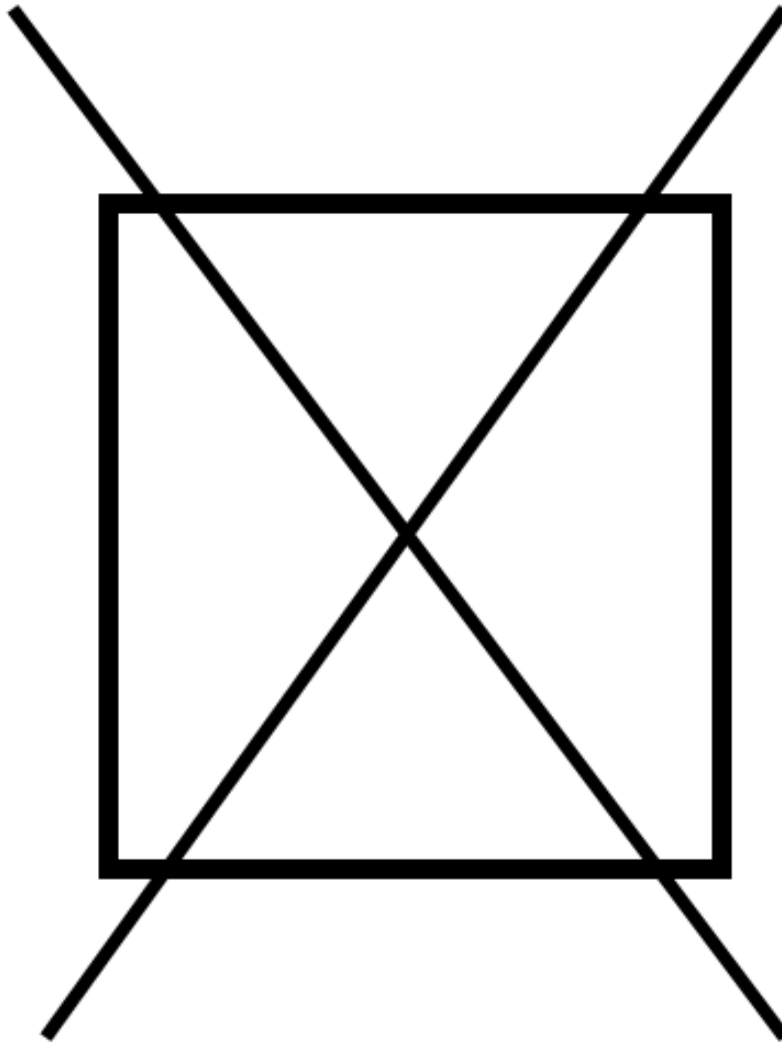
NON
ILLUSTRATED PART





Item	Part No.	Name	Qty	Uom	NOTES
NI	PE070389	VGSC486 REAR MAIN HARNESS	1	EA	
NI	PE070390	TIMER BOARD HARNESS	1	EA	NO LONGER AVAILABLE, Not available online / Call for pricing and availability
NI	PE070391	RELAY HARNESS	1	EA	NO LONGER AVAILABLE, Not available online / Call for pricing and availability
NI	PE070392	TRANSFORMER HARNESS	1	EA	NO LONGER AVAILABLE, Not available online / Call for pricing and availability
NI	PE070393	DOOR LOCK HARNESS	1	EA	NO LONGER AVAILABLE, Not available online / Call for pricing and availability
NI	PE070395	VGSC486-4G TOP HARNESS	1	EA	NO LONGER AVAILABLE, Not available online / Call for pricing and availability
NI	PE070399	VGSC486-4G IGNITOR SWITCH HARNESS	1	EA	NO LONGER AVAILABLE, Not available online / Call for pricing and availability
NI	PE070407	VGSC486-4G MODULE HARNESS	1	EA	NO LONGER AVAILABLE
NI	PE070409	GRIDDLE HARNESS	2	EA	NO LONGER AVAILABLE, Not available online / Call for pricing and availability
NI	G4001656	SPARK MODULE GROUND WIRE	3	EA	
NI	G4001688	SPARK MODULE-TOP BRNR SPARKER (52)	1	EA	
NI	G4001589	SPARK IGNITOR WIRE 46"	2	EA	
NI	G4005484	SPARK IGNITOR WIRE - 34"	1	EA	
NI	G4001587	SPARK MODULE-TOP BRNR SPARKER (25)	1	EA	
NI	G4000935	BAKE/BROIL JUMPER WIRE - VGR/VCM	1	EA	

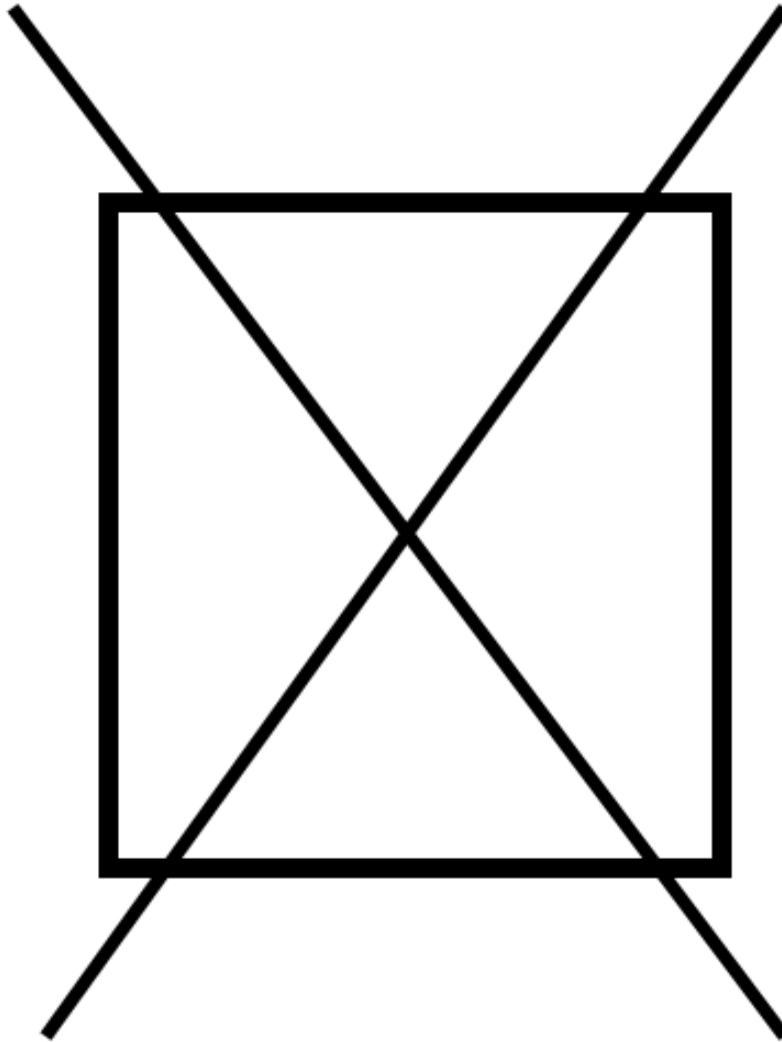
NON
ILLUSTRATED PART





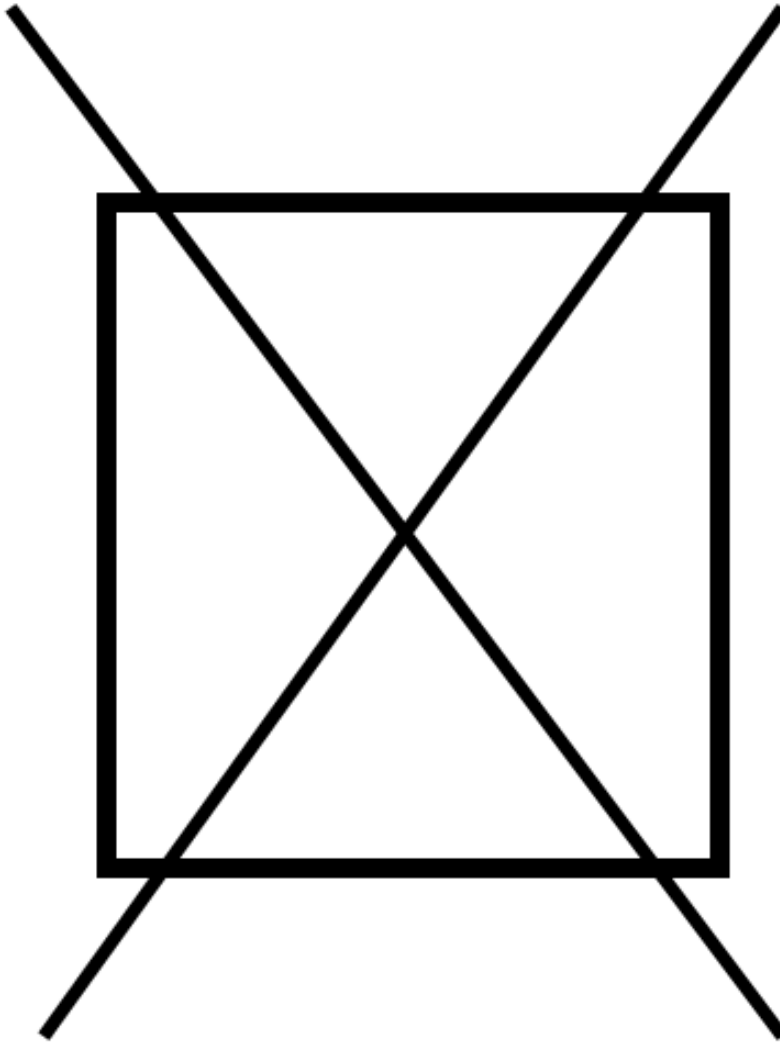
Item	Part No.	Name	Qty	Uom	NOTES
NI	PE070667	IGNITOR WIRE KIT - VGSC486-4G	1	EA	NO LONGER AVAILABLE
NI	G40013897	PIGGYBACK JUMPER WIRE	1	EA	NO LONGER AVAILABLE

NON ILLUSTRATED PART



Item	Part No.	Name	Qty	Uom	NOTES
NI	PE070389	VGSC486 REAR MAIN HARNESS	1	EA	
NI	PE070390	TIMER BOARD HARNESS	1	EA	NO LONGER AVAILABLE, Not available online / Call for pricing and availability
NI	PE070391	RELAY HARNESS	1	EA	NO LONGER AVAILABLE, Not available online / Call for pricing and availability
NI	PE070392	TRANSFORMER HARNESS	1	EA	NO LONGER AVAILABLE, Not available online / Call for pricing and availability
NI	PE070393	DOOR LOCK HARNESS	1	EA	NO LONGER AVAILABLE, Not available online / Call for pricing and availability
NI	PE070394	VGSC486-4GQ TOP HARNESS	1	EA	NO LONGER AVAILABLE, Not available online / Call for pricing and availability
NI	PE070398	VGSC486-4GQ IGNITOR SWITCH HARNESS	1	EA	NO LONGER AVAILABLE, Not available online / Call for pricing and availability
NI	PE070406	VGSC486-4GQ/6G MODULE HARNESS	1	EA	
NI	PE070409	GRIDDLE HARNESS	1	EA	NO LONGER AVAILABLE, Not available online / Call for pricing and availability
NI	G4001589	SPARK IGNITOR WIRE 46"	1	EA	
NI	G4005484	SPARK IGNITOR WIRE - 34"	1	EA	
NI	G4001587	SPARK MODULE-TOP BRNR SPARKER (25)	1	EA	
NI	PE070666	IGNITOR WIRE KIT - VGSC486-4GQ	1	EA	
NI	G40013897	PIGGYBACK JUMPER WIRE	1	EA	NO LONGER AVAILABLE

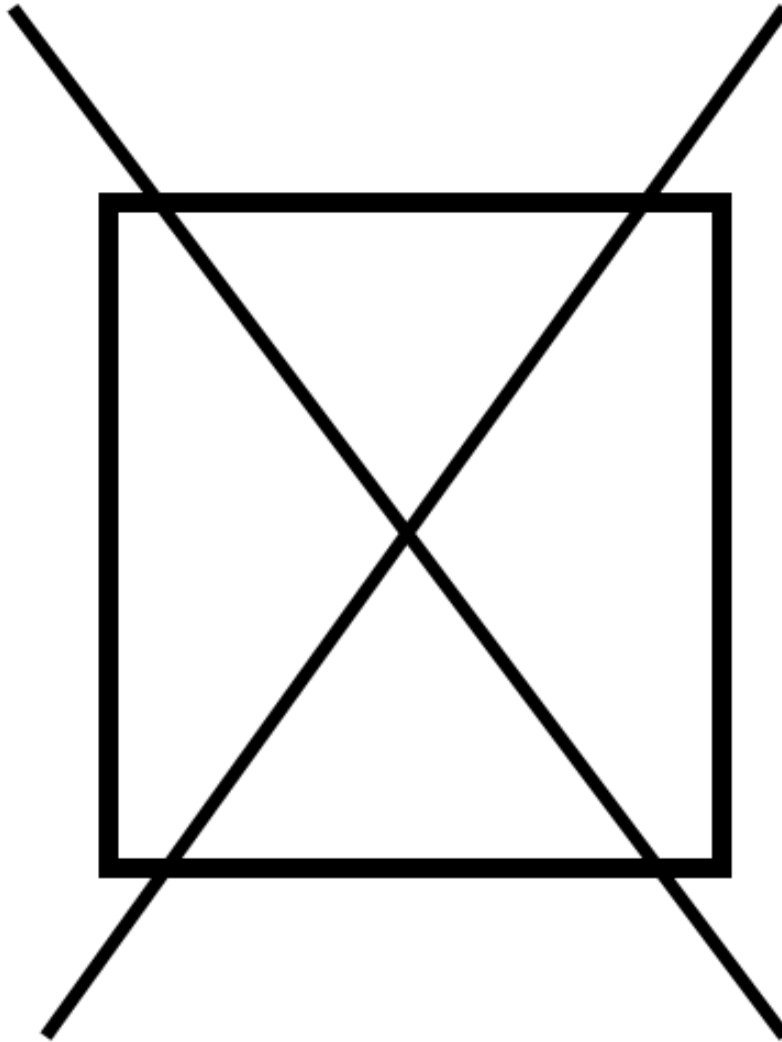
NON
ILLUSTRATED PART





Item	Part No.	Name	Qty	Uom	NOTES
NI	PE070389	VGSC486 REAR MAIN HARNESS	1	EA	
NI	PE070390	TIMER BOARD HARNESS	1	EA	NO LONGER AVAILABLE, Not available online / Call for pricing and availability
NI	PE070391	RELAY HARNESS	1	EA	NO LONGER AVAILABLE, Not available online / Call for pricing and availability
NI	PE070392	TRANSFORMER HARNESS	1	EA	NO LONGER AVAILABLE, Not available online / Call for pricing and availability
NI	PE070393	DOOR LOCK HARNESS	1	EA	NO LONGER AVAILABLE, Not available online / Call for pricing and availability
NI	PE070396	VGSC486-6G TOP HARNESS	1	EA	
NI	PE070400	VGSC486-6G IGNITOR SWITCH HARNESS	1	EA	
NI	PE070406	VGSC486-4GQ/6G MODULE HARNESS	1	EA	
NI	PE070409	GRIDDLE HARNESS	1	EA	NO LONGER AVAILABLE, Not available online / Call for pricing and availability
NI	G4001656	SPARK MODULE GROUND WIRE	5	EA	
NI	G4001688	SPARK MODULE-TOP BRNR SPARKER (52)	1	EA	
NI	G4001589	SPARK IGNITOR WIRE 46"	2	EA	
NI	G4005484	SPARK IGNITOR WIRE - 34"	1	EA	
NI	G4001587	SPARK MODULE-TOP BRNR SPARKER (25)	1	EA	
NI	G4000935	BAKE/BROIL JUMPER WIRE - VGR/VCN	1	EA	
NI	PE070664	IGNITOR WIRE KIT - VGSC486-6G	1	EA	
NI	G40013897	PIGGYBACK JUMPER WIRE	1	EA	NO LONGER AVAILABLE

NON
ILLUSTRATED PART





Item	Part No.	Name	Qty	Uom	NOTES
NI	PE070389	VGSC486 REAR MAIN HARNESS	1	EA	
NI	PE070390	TIMER BOARD HARNESS	1	EA	NO LONGER AVAILABLE, Not available online / Call for pricing and availability
NI	PE070391	RELAY HARNESS	1	EA	NO LONGER AVAILABLE, Not available online / Call for pricing and availability
NI	PE070392	TRANSFORMER HARNESS	1	EA	NO LONGER AVAILABLE, Not available online / Call for pricing and availability
NI	PE070393	DOOR LOCK HARNESS	1	EA	NO LONGER AVAILABLE, Not available online / Call for pricing and availability
NI	PE070397	VGSC486-6Q TOP HARNESS	1	EA	
NI	PE070401	VGSC486-6Q IGNITOR SWITCH HARNESS	1	EA	
NI	PE070408	VGSC486-6Q MODULE HARNESS	1	EA	NO LONGER AVAILABLE, Not available online / Call for pricing and availability
NI	G4001656	SPARK MODULE GROUND WIRE	3	EA	
NI	G4001589	SPARK IGNITOR WIRE 46"	2	EA	
NI	G4007980	SPARK MODULE-TOP BURNER WIRE,40"	1	EA	Not available online / Call for pricing and availability
NI	G4005484	SPARK IGNITOR WIRE - 34"	1	EA	
NI	G4001587	SPARK MODULE-TOP BRNR SPARKER (25)	1	EA	
NI	G4000935	BAKE/BROIL JUMPER WIRE - VGR/VCM	1	EA	
NI	PE070665	IGNITOR WIRE KIT - VGSC486-6Q	1	EA	
NI	G40013897	PIGGYBACK JUMPER WIRE	1	EA	NO LONGER AVAILABLE
NI	G4001688	SPARK MODULE-TOP BRNR SPARKER (52)	2	EA	



Appendix A:Pages Index

BURNER BOX ASSY 1
LH DOOR ASSY 2
OVEN ASSY 3
REAR PANEL ASSY 4
RH DOOR ASSY 5
WIRING - 4G 6
WIRING - 4GQ 7
WIRING - 6G 8
WIRING - 6Q 9



Appendix B:Parts Index

000268-000	2, 5	A2004464	4
000594-000	2, 5	A2004468	4
000623-000	2, 5	A2004469	4
002569-000	1	A2004498	2
003210-000	1	A2005549	3
003224-000	1	A2005550	3
003515-000	1	A2005560	3
003862-000	1	A2005561	3
006197-000	3	A2005578	4
019503-000	3	A2005580	3
050172-000	1	A2005583	4
068456-000	3	A2005584	4
068457-000	3	A2005594	4
A1005678	3	A2005665	3
A1005686	4	A2005685	4
A2001104	1	A2005735	4
A2001112	1	B2001241	3
A2001148	1	B2001856	1
A2001179	1	B2001857	1
A2001852	1	B2002504	2
A2002169	5	B2002528	5
A2002189	5	B2005681	3
A2002367	5	B2005682	3
A2002482	3	B2005683	3
A2002497	2, 5	B9205595	1
A2002498	2, 5	B9205596	1
A2002499	2, 5	B9205597	1
A2002500	3	B9205598	1
A2002501	3	C9001241AL	3
A2002654	4	C9001241BK	3
A2004400	3	C9001241BT	3
A2004402	3	C9001241BU	3
A2004420	3	C9001241CB	3
A2004421	3	C9001241EP	3
A2004423	3	C9001241FG	3
A2004442	4	C9001241GG	3
A2004443	4	C9001241LE	3
A2004445	4	C9001241MJ	3
A2004447	4	C9001241SG	3
A2004450	4	C9001241VB	3
		C9001241WH	3



C9002504AL	2	C9005682BK	3
C9002504BK	2	C9005682BT	3
C9002504BT	2	C9005682BU	3
C9002504BU	2	C9005682CB	3
C9002504CB	2	C9005682EP	3
C9002504EP	2	C9005682FG	3
C9002504FG	2	C9005682GG	3
C9002504GG	2	C9005682LE	3
C9002504LE	2	C9005682MJ	3
C9002504MJ	2	C9005682SG	3
C9002504SG	2	C9005682VB	3
C9002504VB	2	C9005682WH	3
C9002504WH	2	C9005683AL	3
C9002528AL	5	C9005683BK	3
C9002528BK	5	C9005683BT	3
C9002528BT	5	C9005683BU	3
C9002528BU	5	C9005683CB	3
C9002528CB	5	C9005683EP	3
C9002528EP	5	C9005683FG	3
C9002528FG	5	C9005683GG	3
C9002528GG	5	C9005683LE	3
C9002528LE	5	C9005683MJ	3
C9002528MJ	5	C9005683SG	3
C9002528PL	5	C9005683VB	3
C9002528SG	5	C9005683WH	3
C9002528VB	5	D2003026	5
C9002528WH	5	E9101130BK	1
C9005681AL	3	E9102178	5
C9005681BK	3	E9102179	5
C9005681BT	3	E9102668	2
C9005681BU	3	E9104404	3
C9005681CB	3	E9105567	3
C9005681EP	3	E9108202	2
C9005681FG	3	E9108203	2
C9005681GG	3	G30010697	1
C9005681LE	3	G3001584	1
C9005681MJ	3	G3001876	3
C9005681SG	3	G3002825	1
C9005681VB	3	G3202549AL	5
C9005681WH	3	G3202549ALBR	5
C9005682AL	3	G3202549BK	5



G3202549BKBR	5	G3205671LE	2
G3202549BT	5	G3205671LEBR	2
G3202549BTBR	5	G3205671MJ	2
G3202549BU	5	G3205671MJBR	2
G3202549BUBR	5	G3205671SG	2
G3202549CB	5	G3205671SGBR	2
G3202549CBBR	5	G3205671SS	2
G3202549EP	5	G3205671SSBR	2
G3202549EPBR	5	G3205671VB	2
G3202549FG	5	G3205671VBBR	2
G3202549FGBR	5	G3205671WH	2
G3202549GG	5	G3205671WHBR	2
G3202549GGBR	5	G3208263	1
G3202549LE	5	G4000935	6, 8, 9
G3202549LEBR	5	G40013897	6, 7, 8, 9
G3202549MJ	5	G4001587	6, 7, 8, 9
G3202549MJBR	5	G4001589	6, 7, 8, 9
G3202549SG	5	G4001656	6, 8, 9
G3202549SGBR	5	G4001688	6, 8, 9
G3202549SS	5	G4005484	6, 7, 8, 9
G3202549SSBR	5	G4007980	9
G3202549VB	5	G50012678	1
G3202549VBBR	5	G50013584AL	1
G3202549WH	5	G50013584BK	1
G3202549WHBR	5	G50013584BT	1
G3205671AL	2	G50013584CB	1
G3205671ALBR	2	G50013584EP	1
G3205671BK	2	G50013584FG	1
G3205671BKBR	2	G50013584GG	1
G3205671BT	2	G50013584LE	1
G3205671BTBR	2	G50013584MJ	1
G3205671BU	2	G50013584SG	1
G3205671BUBR	2	G50013584VB	1
G3205671CB	2	G50013584WH	1
G3205671CBBR	2	G9101182AL	1
G3205671EP	2	G9101182BK	1
G3205671EPBR	2	G9101182BT	1
G3205671FG	2	G9101182CB	1
G3205671FGBR	2	G9101182EP	1
G3205671GG	2	G9101182FG	1
G3205671GGBR	2	G9101182GG	1



G9101182LE	1	PA060038	1
G9101182MJ	1	PA060058	1
G9101182SG	1	PA060059	1
G9101182VB	1	PA070003	1
G9101182WH	1	PA080015	1
G9102521	3	PA080016	1
G9102745	5	PA080036	1
G9102747	5	PA080037	1
G9104482	3	PB010035	1
G9105574	3	PB010083	4
G93011461PVD	1	PB010101	1
H9102507	2	PB010102	1
H9105672	2	PB010103	1
J1002506	2	PB010104	1
J1002594	5	PB010186	1
J2101749	1	PB010187	1
PA010030	1	PB010188	1
PA010039	1	PB010206	1
PA010040	1	PB010207	1
PA010080	1	PB010209	1
PA010081	1	PB010264	1, 1
PA010139	4	PB020025	3
PA020015	1	PB020111	3
PA020027	4	PB020113	3
PA020028	1	PB020126	3
PA020045	1	PB020127	3
PA020047	4	PB020135	3
PA020048	4	PB020136	3
PA030002AL	1	PB040001	1
PA030002BK	1	PB040170	3
PA030002BT	1	PB040171	3
PA030002CB	1	PB040273	3
PA030002EP	1	PB050065	3
PA030002FG	1	PB050077	1
PA030002GG	1	PB050080	3
PA030002LE	1	PB060030	3
PA030002MJ	1	PB060044	3
PA030002SG	1	PB060046	3
PA030002VB	1	PB070034	2, 5
PA030002WH	1	PB070076	2
PA060037	1	PC020007	3



PC020009	3	PE070397	9
PC030007	3	PE070398	7
PC030017	3	PE070399	6
PD020032	2, 5	PE070400	8
PE010030	2	PE070401	9
PE010031	2	PE070406	7, 8
PE010068	2	PE070407	6
PE010076	2	PE070408	9
PE030001PVD	2, 5	PE070409	6, 7, 8
PE030005	5	PE070468	1, 4
PE030008	2	PE070664	8
PE030012PVD	5	PE070665	9
PE030014PVD	2	PE070666	7
PE050001	4	PE070667	6
PE050016	1	PJ030002	4
PE050017	1	PJ030006	4
PE050023	1	PJ030015	1
PE050024	1	PM010029	4
PE050026	4		
PE050053	3		
PE050056	3		
PE050057	3		
PE050059	3		
PE060030	5		
PE060031	5		
PE060032	2		
PE060045	5		
PE060046	2		
PE060048	2		
PE060049	2		
PE060064	5		
PE070128	4		
PE070148	4		
PE070389	6, 7, 8, 9		
PE070390	6, 7, 8, 9		
PE070391	6, 7, 8, 9		
PE070392	6, 7, 8, 9		
PE070393	6, 7, 8, 9		
PE070394	7		
PE070395	6		
PE070396	8		