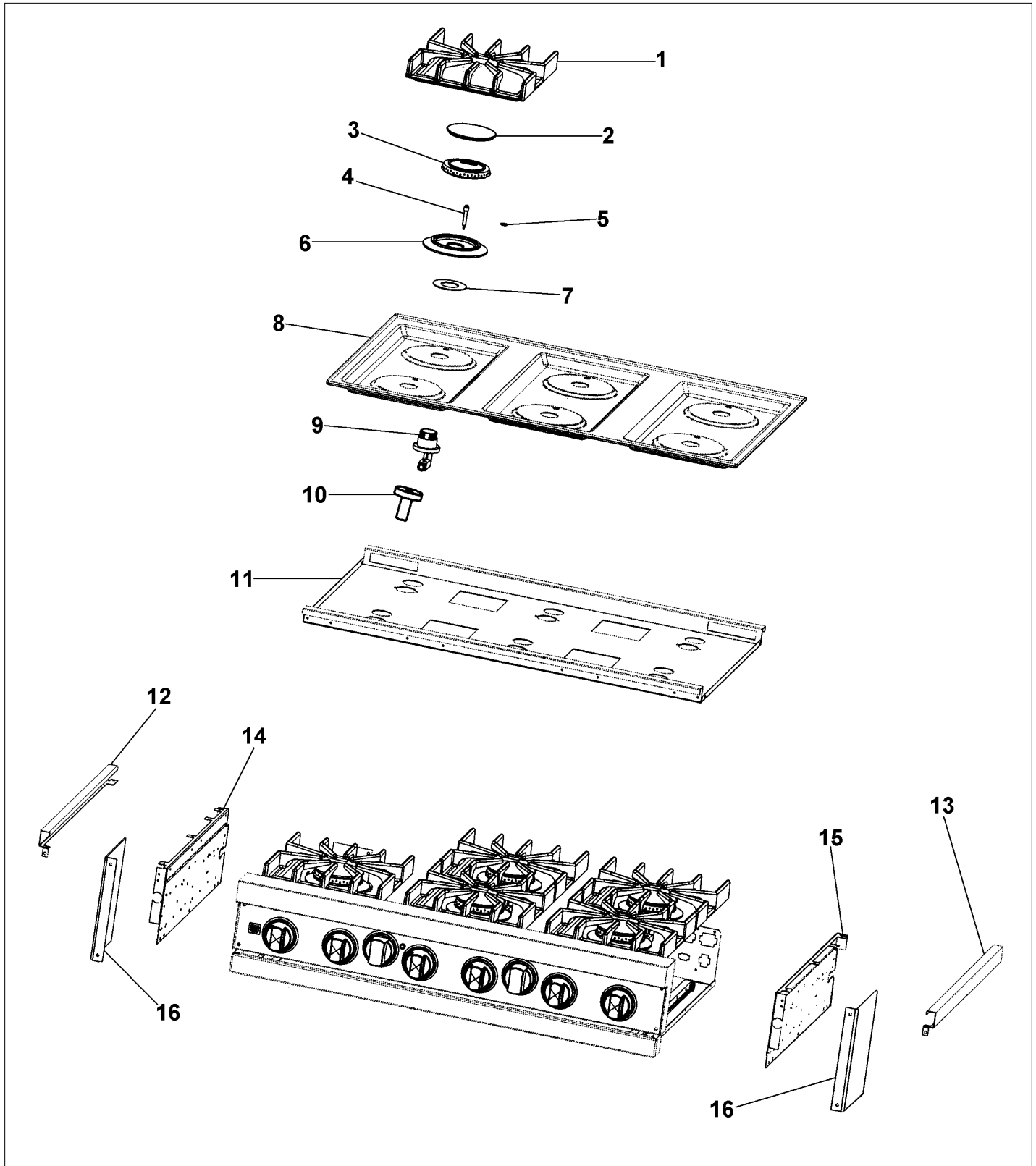


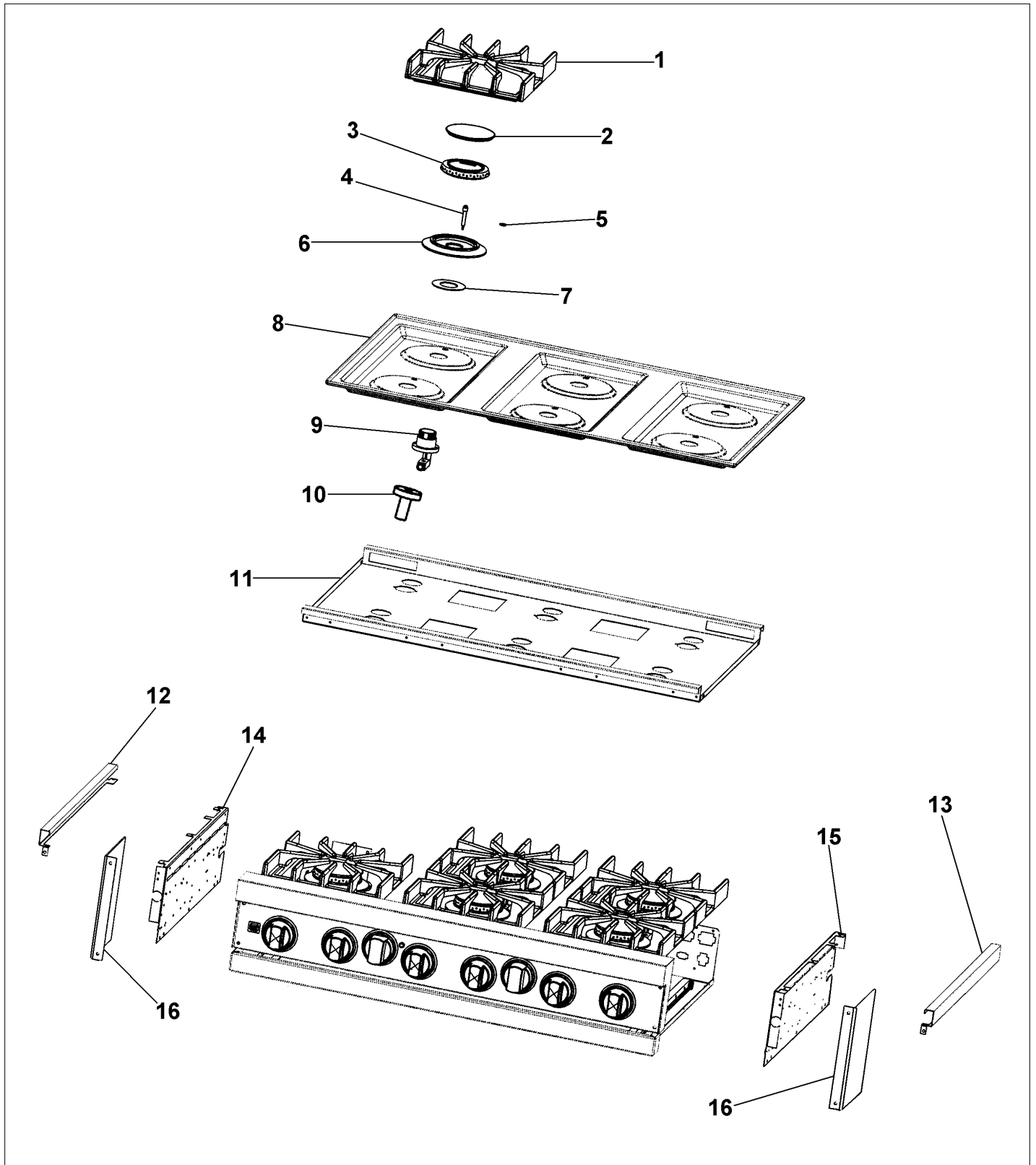
VGSC367

BURNER BOX EXTERIOR ASSEMBLY	1
CONTROL AND GAS ASSEMBLY	2
DOOR ASSEMBLY	3
ELECTRONICS ASSEMBLY	4
FUNCTIONAL PARTS	5
GRIDDLE ASSEMBLY	6
GRILL ASSEMBLY	7
IGNITOR WIRE KIT	8
LOWER OVEN CAVITY ASSEMBLY	9
LOWER RANGE ASSEMBLY	10
REAR UNIT ASSEMBLY	11
SIMPLE HARNESSSES-CONTINUED	12
SINGLE WIRING CONT.	13
UPPER OVEN CAVITY ASSEMBLY	14
VGSC367 MAJOR HARNESSSES	15
VGSC367 OVEN HARNESS	16
VGSC367 SIMPLE HARNESSSES	17
VGSC367 SINGLE WIRING	18
VGSC367 TOP HARNESS - 4Q	19
Appendix A:Pages Index	A
Appendix B:Parts Index	B

BURNER BOX EXTERIOR ASSEMBLY

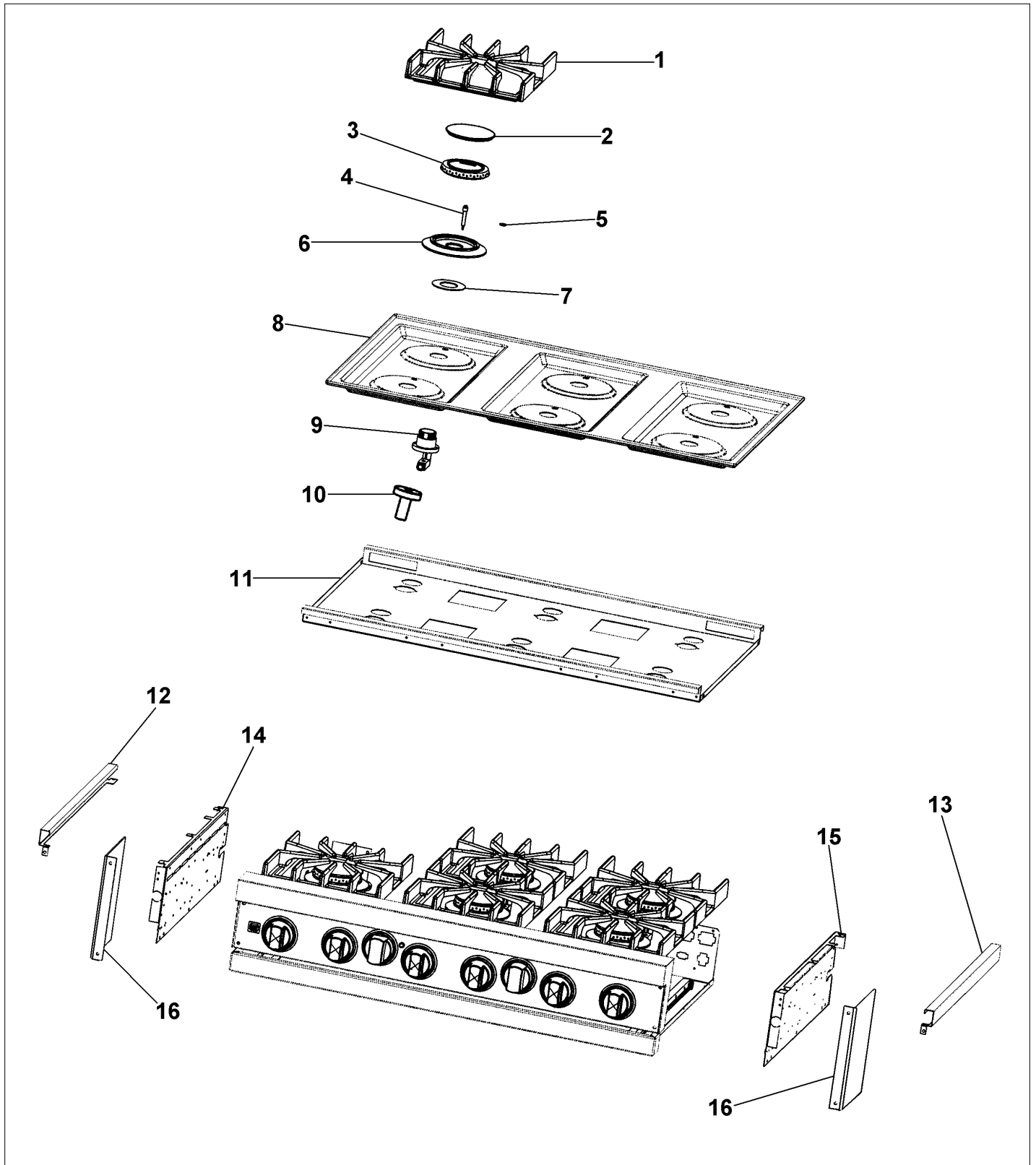


Item	Part No.	Name	Qty	Uom	NOTES
1	PA060054	Burner Grate - BK		EA	
1	PA060062	Burner Grate - GR		EA	
2	PA080083	D BURNER CAP *MATTE BLACK*		EA	
2	PA080086	Burner Cap - GR		EA	
3	PB050063	Burner Head		EA	
Not Shown	NOTE	(BEFORE 12/19/07)		EA	
3	018200-000	ADJUSTED SEALED BURNER HEAD		EA	
Not Shown	NOTE	(After 12/18/07)		EA	
4	PB050081	BURNER BASE ASM		EA	
5	N/A	Order Igniter		EA	
6	PB050081	BURNER BASE ASM		EA	
Not Shown	NOTE	(BEFORE 12/19/07)		EA	
6	003322-040	SEALED BURNER BASE, TURNED FINISH		EA	
Not Shown	NOTE	(After 12/18/07)		EA	
7	PB050081	BURNER BASE ASM		EA	
8	E9108439AL	Main Top Assembly (6B) - AL		EA	Not available online / Call for pricing and availability
8	E9108439BK	MAIN TOP (VGRT3626B) *BK*		EA	
8	E9108439BT	Main Top Assembly (6B) - BT		EA	Not available online / Call for pricing and availability
8	E9108439CB	Main Top Assembly (6B) - CB		EA	Not available online / Call for pricing and availability
8	E9108439EP	Main Top Assembly (6B) - EP		EA	Not available online / Call for pricing and availability
8	E9108439FG	Main Top Assembly (6B) - FG		EA	Not available online / Call for pricing and availability
8	E9108439GG	Main Top Assembly (6B) - GG		EA	





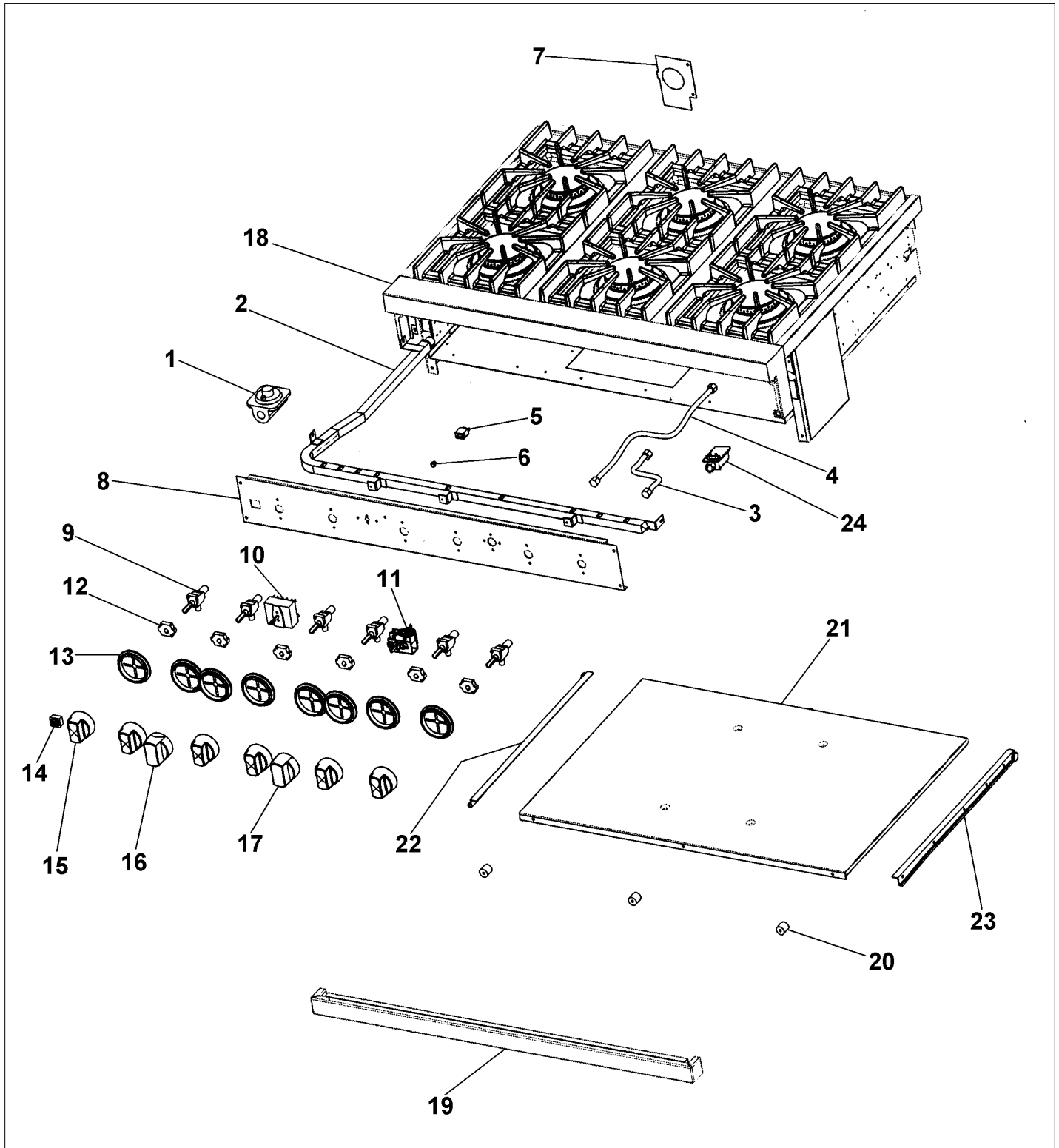
Item	Part No.	Name	Qty	Uom	NOTES
8	E9108439LE	Main Top Assembly (6B) - LE		EA	Not available online / Call for pricing and availability
8	E9108439MJ	Main Top Assembly (6B) - MJ		EA	Not available online / Call for pricing and availability
8	E9108439SG	Main Top Assembly (6B) - SG		EA	Not available online / Call for pricing and availability
8	E9108439VB	Main Top Assembly (6B) - VB		EA	Not available online / Call for pricing and availability
8	E9108439WH	Main Top Assembly (6B) - WH - NLA		EA	
8	E9108438AL	Main Top Assembly (4G / 4Q) - AL		EA	Not available online / Call for pricing and availability
8	E9108438BK	MAIN TOP (VGRT4G/Q) *BK*		EA	
8	E9108438BT	Main Top Assembly (4G / 4Q) - BT		EA	Not available online / Call for pricing and availability
8	E9108438CB	Main Top Assembly (4G / 4Q) - CB		EA	Not available online / Call for pricing and availability
8	E9108438EP	Main Top Assembly (4G / 4Q) - EP		EA	Not available online / Call for pricing and availability
8	E9108438FG	Main Top Assembly (4G / 4Q) - FG		EA	Not available online / Call for pricing and availability
8	E9108438GG	Main Top Assembly (4G / 4Q) - GG		EA	Not available online / Call for pricing and availability
8	E9108438LE	Main Top Assembly (4G / 4Q) - LE		EA	Not available online / Call for pricing and availability
8	E9108438MJ	Main Top Assembly (4G / 4Q) - MJ		EA	Not available online / Call for pricing and availability





Item	Part No.	Name	Qty	Uom	NOTES
8	E9108438SG	Main Top Assembly (4G / 4Q) - SG		EA	Not available online / Call for pricing and availability
8	E9108438VB	Main Top Assembly (4G / 4Q) - VB		EA	Not available online / Call for pricing and availability
8	E9108438WH	Main Top Assembly (4G / 4Q) - WH		EA	Not available online / Call for pricing and availability
9	PA080075	Burner Body		EA	
10	PA010100	Burner Venturi		EA	
11	A2007859	Burner Support (6B)		EA	Not available online / Call for pricing and availability
11	A2007865	Burner Support (4G / 4Q)		EA	Not available online / Call for pricing and availability
12	B20012924	Side Trim - LH (SS)		EA	
12	C93012924BR	Side Trim - LH (BR)		EA	
13	B20012923	Side Trim - RH (SS)		EA	
13	C93012923BR	Side Trim - RH (BR)		EA	
14	A2006748	Burner Box Side - LH		EA	
15	A2006747	Burner Box Side - RH		EA	
16	J2002593	Oven Side Heat Sink		EA	Not available online / Call for pricing and availability
NI	PD040035	GROMMET-SPIDER GRATE (VGSU)		EA	

CONTROL AND GAS ASSEMBLY

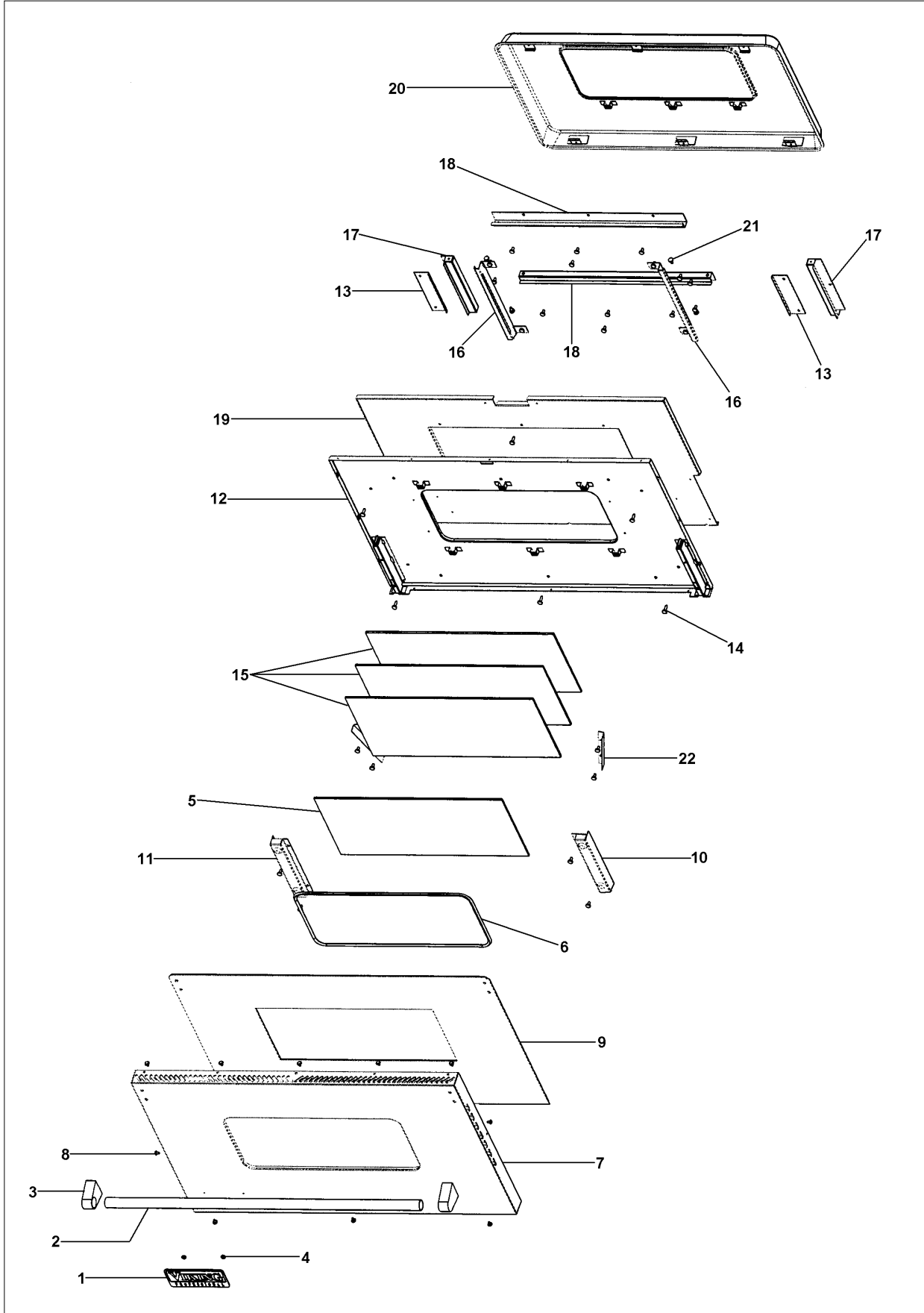


Item	Part No.	Name	Qty	Uom	NOTES
1	PA070003	PRESSURE REGULATOR	1	EA	
2	002158-000	36" UNIVERSAL MANIFOLD	1	EA	
3	PB020192	10" FLEX TUBING W/CONNECTORS	1	EA	
4	PB020193	16" FLEX TUBING W/CONNECTORS	1	EA	
5	PE050024	OVEN IND. LIGHT (LIGHT HOUSING)	1	EA	
<p>Comments for Part Num. PE050024</p> <p>haarnink@vikingrange.com on Jan 14, 2019 please note that the indicator light is now part 043135-000 but needs the Jumper harness 051443-000. and second option there are units in the field with a 230V indicator light part number 036566-000.</p> <p>please check this for all "E" module ranges/Tops</p>					
6	PE050023	OVEN IND. LIGHT (LENS & BEZEL)	1	EA	
7	A10012909	BACKGUARD ACCESS PLATE	1	EA	NO LONGER AVAILABLE, Not available online / Call for pricing and availability
8	B9205516	CONTROL PANEL VGSC3666B	1	EA	
8	B9205517	CONTROL PANEL VGSC3664G	1	EA	
8	B9205518	CONTROL PANEL VGSC3664Q	1	EA	
9	003517-000	PA010158 VALVE AND BOLT KIT	1	EA	
10	PJ030015	6 POS. SELECTOR SWITCH	1	EA	NO LONGER AVAILABLE
11	PB010186	EK39 THERMOSTAT (SELF- CLEAN)	1	EA	
12	PA020045	Spark Ignition Switch	1	EA	
13	050172-000	BEZEL, KNOB	1	EA	
13	PB010209	Bezel - BR	1	EA	
14	PE050016	OVEN LIGHT SWITCH - *BK* (WES-GAR)	1	EA	
14	PE050017	OVEN LIGHT SWITCH - *WH* (WES-GAR)	1	EA	
15	PB010206	TOP BURNER KNOB BK	1	EA	



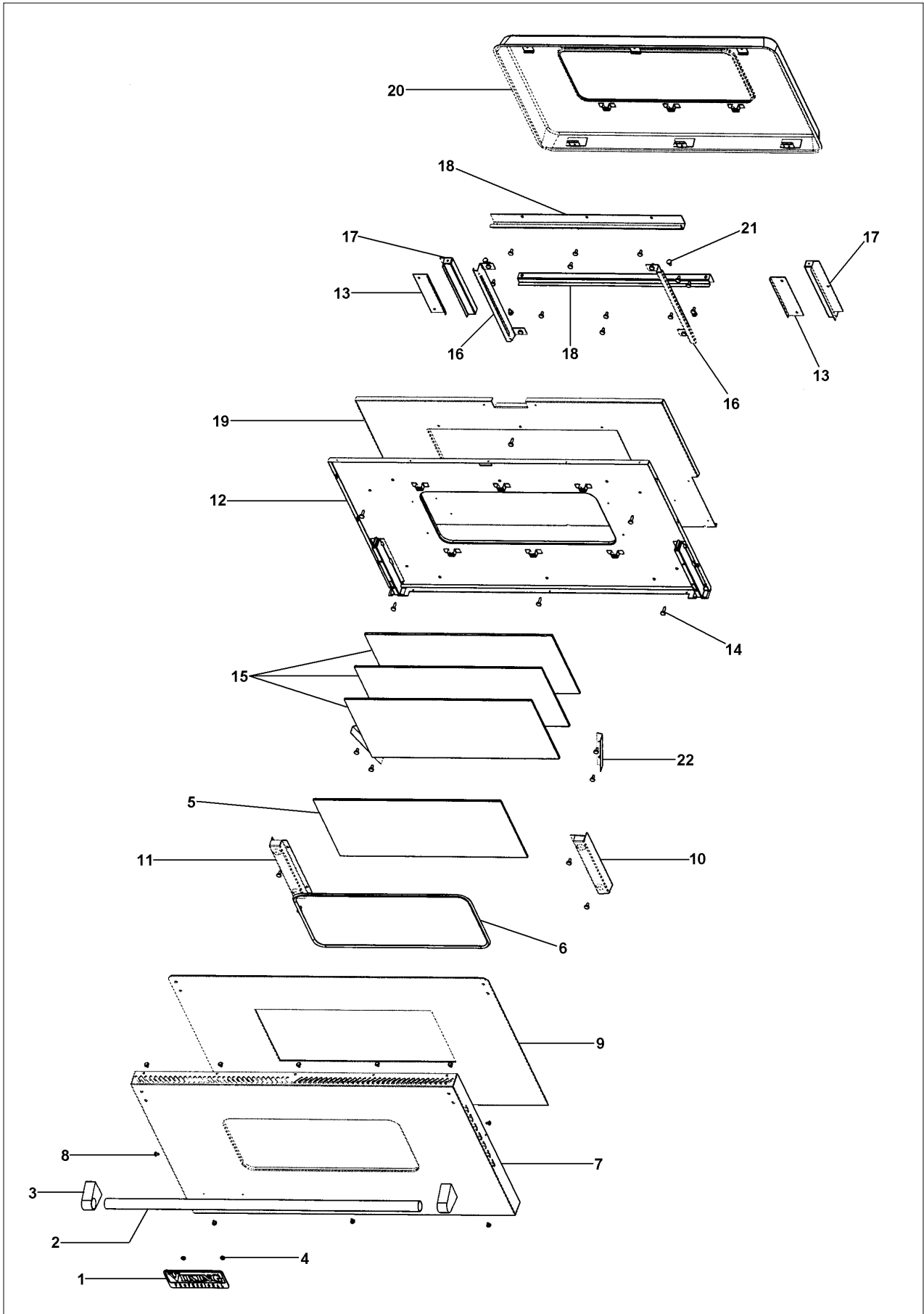
Item	Part No.	Name	Qty	Uom	NOTES
15	PB010207	TOP BURNER KNOB WH	1	EA	Not available online / Call for pricing and availability
16	PA010080	SELECTOR KNOB SELF CLEAN *BK*	1	EA	
16	PA010081	SELECTOR KNOB SELF CLEAN *WH*	1	EA	
17	PB010187	THERMOSTAT KNOB SELF CLEAN *BK*	1	EA	
17	PB010188	THERMOSTAT KNOB SELF CLEAN *WH*	1	EA	NO LONGER AVAILABLE
18	G3009151	Landing Ledge Assembly	1	EA	
19	B30011469	False Tray Handle - 6B (SS)	1	EA	
19	G30010696	DRIP TRAY HANDLE ASSY 36"	1	EA	
19	G93011459PVD	False Tray Handle - 6B (BR) - NLA	1	EA	
20	PD040028	BUSHING(.194ID/.750OD/.750L ONG)	1	EA	
21	G30010455	36" DRIP TAY ASSY, NLA	1	EA	
22	PK000009	Drip Tray Guide - LH	1	EA	
23	PK000010	RUNNER, DRIP TRAY - RH (VGRT)	1	EA	
24	PB010004	SINGLE SAFETY VALVE (NAT. GRIDDLE)	1	EA	

DOOR ASSEMBLY

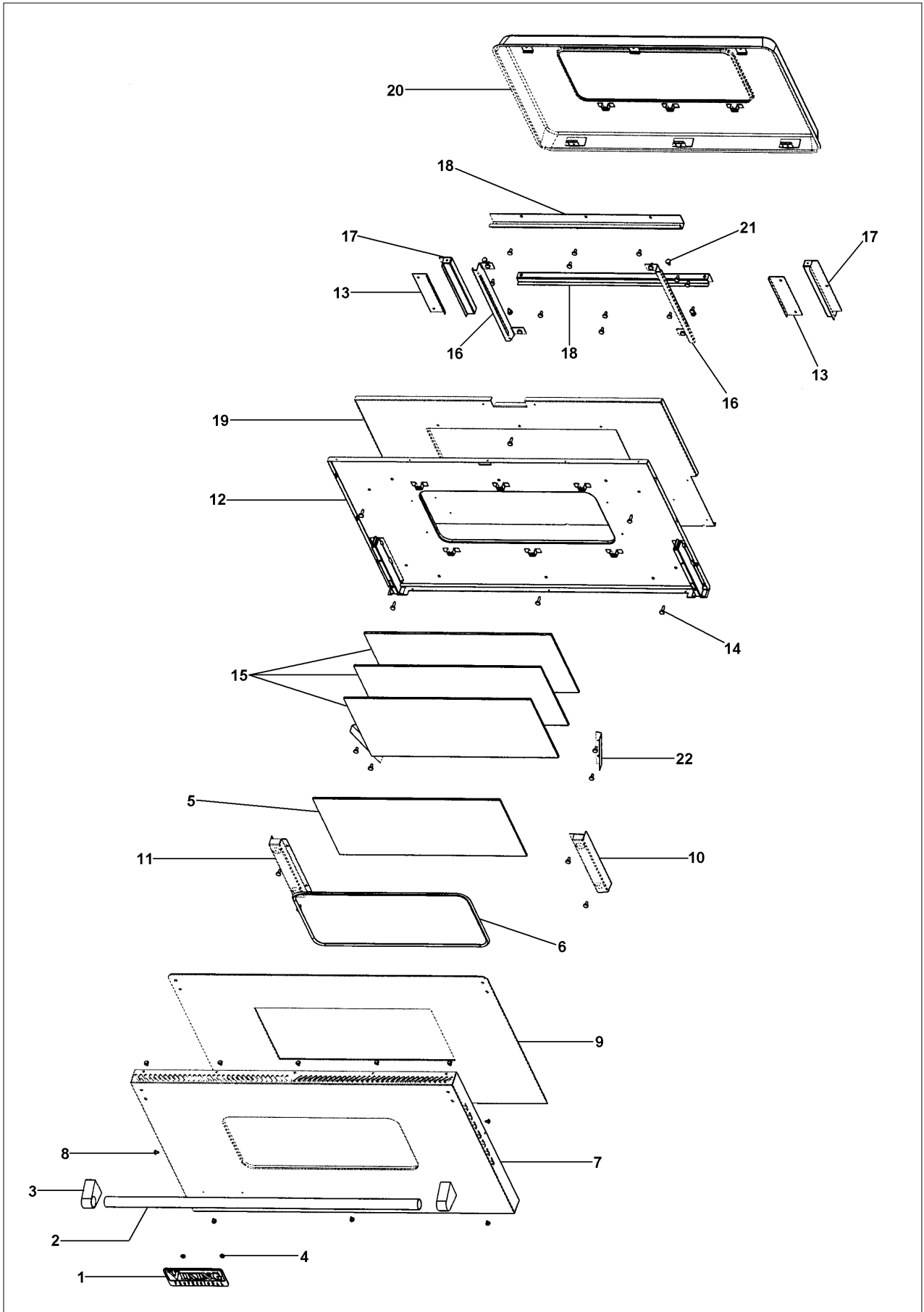




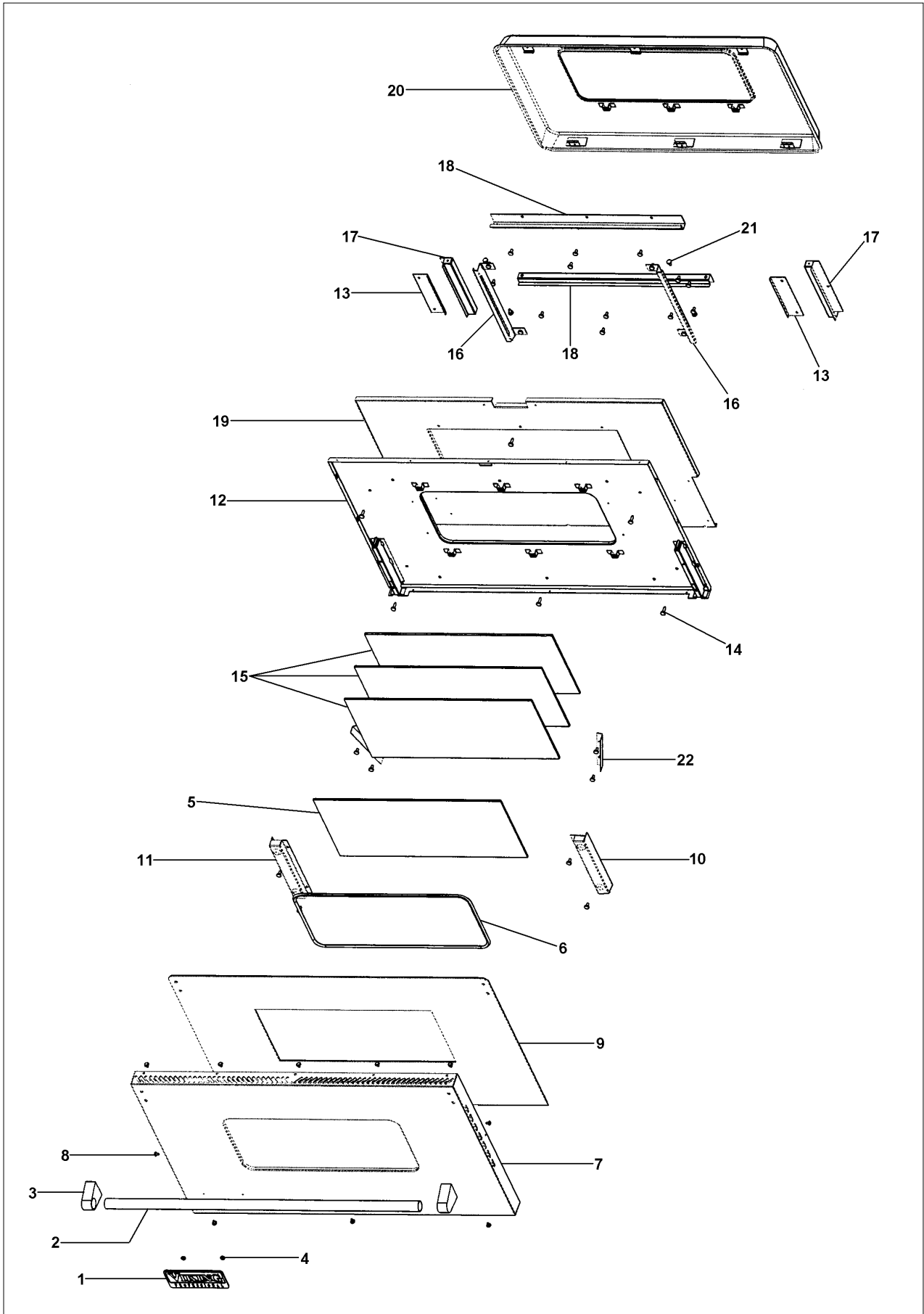
Item	Part No.	Name	Qty	Uom	NOTES
1	PE010076	LOGO 6" (VGRC) *BR/WH*	1	EA	NO LONGER AVAILABLE
2	PE030006	DOOR HANDLE - 36" (VGRC)	1	EA	
2	PE030013PVD	DOOR HANDLE (36") PVD - NLA	1	EA	NO LONGER AVAILABLE
3	000268-000	HANDLE ENDCAP	1	EA	
3	PE030001PVD	END CAP DOOR HANDLE *BR	1	EA	
4	PD030006	CAPPED WASHER PAL NUT	1	EA	
5	PE060030	OUTER DOOR GLASS	1	EA	
6	PE060031	J-MOLD (LARGE WINDOW)	1	EA	
6	PE060045	J-MOLD (LARGE WINDOW) *BR*	1	EA	
7	B2002798	O/S DOOR PANEL *SS* (VDSC36)	1	EA	
7	C9002798AL	O/S DOOR PANEL-*AL* (VDSC36)	1	EA	NO LONGER AVAILABLE, Not available online / Call for pricing and availability
7	C9002798BK	O/S DOOR PANEL-*BK* (VDSC36)	1	EA	NO LONGER AVAILABLE
7	C9002798BT	O/S DOOR PANEL-*BT* (VDSC36)	1	EA	NO LONGER AVAILABLE, Not available online / Call for pricing and availability
7	C9002798BU	O/S DOOR PANEL-*BU* (VDSC36)	1	EA	NO LONGER AVAILABLE
7	C9002798CB	O/S DOOR PANEL-*CB* (VDSC36)	1	EA	NO LONGER AVAILABLE
7	C9002798EP	O/S DOOR PANEL-*EP* (VDSC36)	1	EA	NO LONGER AVAILABLE
7	C9002798FG	O/S DOOR PANEL-*FG* (VDSC36)	1	EA	NO LONGER AVAILABLE, Not available online / Call for pricing and availability
7	C9002798GG	O/S DOOR PANEL-*GG* (VDSC36)	1	EA	
7	C9002798LE	O/S DOOR PANEL-*LE* (VDSC36)	1	EA	NO LONGER AVAILABLE, Not available online / Call for pricing and availability



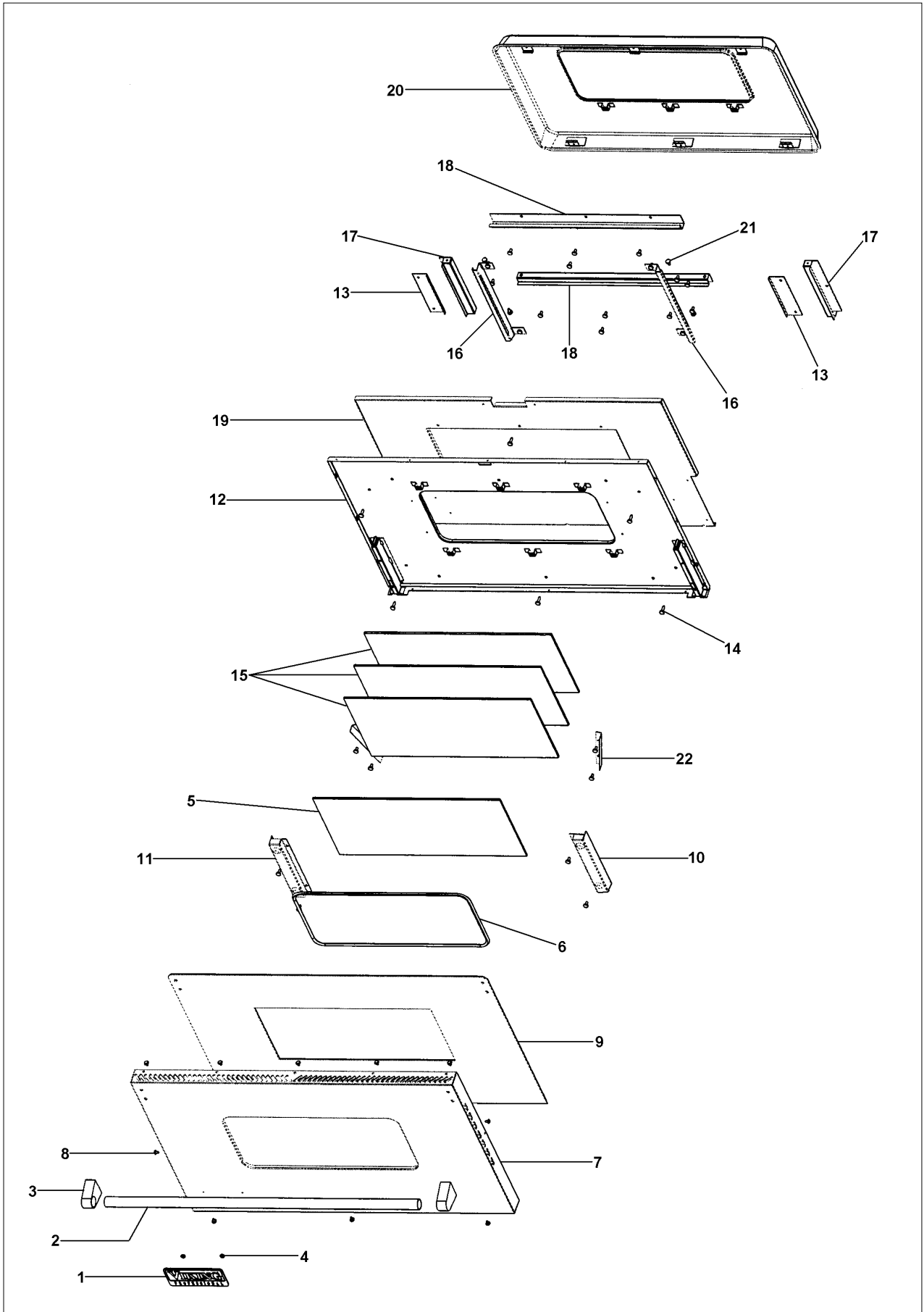
Item	Part No.	Name	Qty	Uom	NOTES
7	C9002798MJ	O/S DOOR PANEL_*MJ* (VDSC36)	1	EA	Not available online / Call for pricing and availability
7	C9002798SG	O/S DOOR PANEL_*SG* (VDSC36)	1	EA	NO LONGER AVAILABLE, Not available online / Call for pricing and availability
7	C9002798VB	O/S DOOR PANEL_*VB* (VDSC36)	1	EA	NO LONGER AVAILABLE, Not available online / Call for pricing and availability
7	C9002798WH	O/S DOOR PANEL_*WH* (VDSC36)	1	EA	Not available online / Call for pricing and availability
8	PD020032	SRW-8(A)X3/8"PH.WFR HD 7/16DIA*NICL	1	EA	
9	J1002799	OVEN DR HEAT SINK (VDSC36)	1	EA	Not available online / Call for pricing and availability
10	A2002498	HINGE POCKET COVER RH	1	EA	
11	A2002499	HINGE POCKET COVER LH	1	EA	
12	G9102748	DOOR LINER ASSY (VDSC36)	1	EA	
13	A2002189	DOOR GLASS STANDOFF (VDSC)	1	EA	
14	PD020014	10X3/4 PH TR HD SMS	1	EA	
15	PE060064	WINDOW PACK, SELF CLEANING OVEN 30"	1	EA	
16	A2002367	DOOR GLASS BRKT	1	EA	
17	E9102179	WINDOW LINER-SIDE (VDSC)	1	EA	
18	E9102178	WINDOW LINER-TOP/BTM (VDSC)	1	EA	
19	A2002800	DOOR INSULATION RETAINER (VDSC36)	1	EA	
20	G9102746	DOOR PLUG ASSY (VDSC36)	1	EA	
NI	000594-000	BLACK FIBERGLASS ROPE 3/8	1	EA	
NI	PB070076	WOOL INSULATION 1" X 21" X 3'	1	EA	
NI	PB070165	SUPER WOOL INSULATION	1	EA	Not available online / Call for pricing and availability



Item	Part No.	Name	Qty	Uom	NOTES
21	PD020002	10 X 1/2 PH.TR.HD.SMS.	1	EA	
NI	G3202805AL	DOOR SUB-ASSY-*AL* (VDSC36)	1	EA	NO LONGER AVAILABLE, Not available online / Call for pricing and availability
NI	G3202805ALBR	DOOR SUB-ASSY-*AL**BR* (VDSC36)	1	EA	NO LONGER AVAILABLE, Not available online / Call for pricing and availability
NI	G3202805BK	DOOR SUB-ASSY-*BK* (VDSC36)	1	EA	NO LONGER AVAILABLE, Not available online / Call for pricing and availability
NI	G3202805BKBR	COMPLETE DOOR ASSY. - BKBR	1	EA	Not available online / Call for pricing and availability
NI	G3202805BT	DOOR SUB-ASSY-*BT* (VDSC36)	1	EA	NO LONGER AVAILABLE, Not available online / Call for pricing and availability
NI	G3202805BTBR	COMPLETE DOOR ASSY. - BTBR	1	EA	Not available online / Call for pricing and availability
NI	G3202805BU	DOOR SUB-ASSY-*BU* (VDSC36)	1	EA	NO LONGER AVAILABLE, Not available online / Call for pricing and availability
NI	G3202805BUBR	DOOR SUB-ASSY-*BU**BR* (VDSC36)	1	EA	NO LONGER AVAILABLE, Not available online / Call for pricing and availability
NI	G3202805CB	DOOR SUB-ASSY-*CB* (VDSC36)	1	EA	NO LONGER AVAILABLE, Not available online / Call for pricing and availability
NI	G3202805CBBR	COMPLETE DOOR ASSY. - CBBR	1	EA	Not available online / Call for pricing and availability
NI	G3202805EP	DOOR SUB-ASSY- *EP* (VDSC36)	1	EA	NO LONGER AVAILABLE, Not available online / Call for pricing and availability



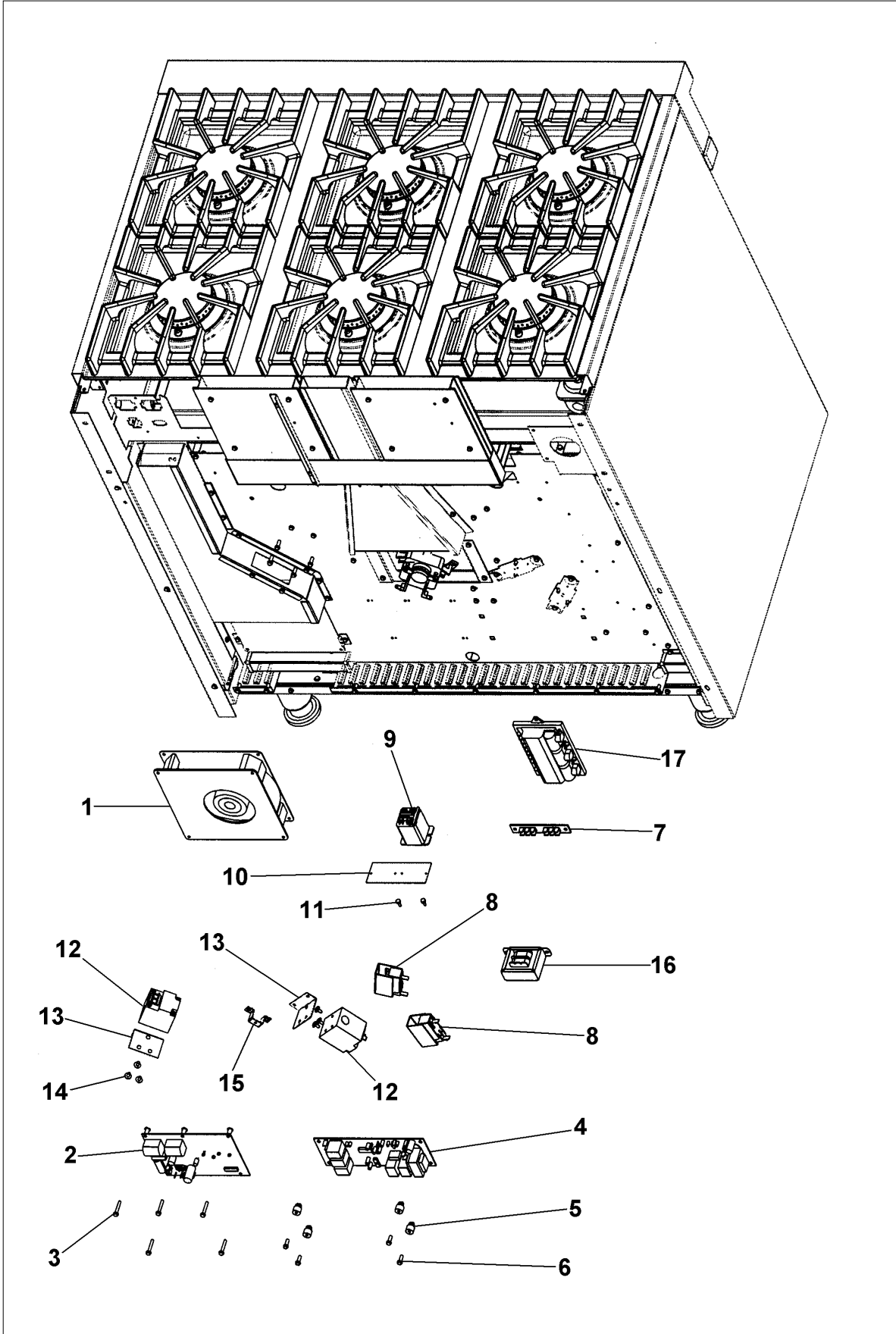
Item	Part No.	Name	Qty	Uom	NOTES
NI	G3202805EPBR	COMPLETE DOOR ASSY. - EPBR	1	EA	Not available online / Call for pricing and availability
NI	G3202805FG	DOOR SUB-ASSY- *FG* (VDSC36)	1	EA	NO LONGER AVAILABLE, Not available online / Call for pricing and availability
NI	G3202805FGBR	DOOR SUB-ASSY- *FG**BR* (VDSC36)	1	EA	NO LONGER AVAILABLE, Not available online / Call for pricing and availability
NI	G3202805GG	DOOR SUB-ASSY-*GG* (VDSC36)	1	EA	NO LONGER AVAILABLE, Not available online / Call for pricing and availability
NI	G3202805GGBR	DOOR SUB-ASSY-*GG*BR* (VDSC36)	1	EA	NO LONGER AVAILABLE, Not available online / Call for pricing and availability
NI	G3202805LE	DOOR SUB-ASSY- *LE* (VDSC36)	1	EA	NO LONGER AVAILABLE, Not available online / Call for pricing and availability
NI	G3202805LEBR	COMPLETE DOOR ASSY. - LEBR	1	EA	
NI	G3202805MJ	DOOR SUB-ASSY- *MJ* (VDSC36)	1	EA	
NI	G3202805MJBR	COMPLETE DOOR ASSY. - MJBR	1	EA	Not available online / Call for pricing and availability
NI	G3202805SG	DOOR SUB-ASSY- *SG* (VDSC36)	1	EA	NO LONGER AVAILABLE, Not available online / Call for pricing and availability
NI	G3202805SGBR	COMPLETE DOOR ASSY. - SGBR	1	EA	Not available online / Call for pricing and availability
NI	G3202805SS	DOOR SUB-ASSY-*SS* (VDSC36)	1	EA	
NI	G3202805SSBR	COMPLETE DOOR ASSEMBLY - SSBR	1	EA	Not available online / Call for pricing and availability





Item	Part No.	Name	Qty	Uom	NOTES
NI	G3202805VB	DOOR SUB-ASSY-*VB* (VDSC36)	1	EA	NO LONGER AVAILABLE, Not available online / Call for pricing and availability
NI	G3202805VBBR	DOOR SUB-ASSY- *VB**BR* (VDSC36)	1	EA	NO LONGER AVAILABLE, Not available online / Call for pricing and availability
NI	G3202805WH	DOOR SUB-ASSY-*WH* (VDSC36)	1	EA	NO LONGER AVAILABLE, Not available online / Call for pricing and availability
NI	G3202805WHBR	DOOR SUB-ASSY-*WH**BR* (VDSC36)	1	EA	NO LONGER AVAILABLE, Not available online / Call for pricing and availability

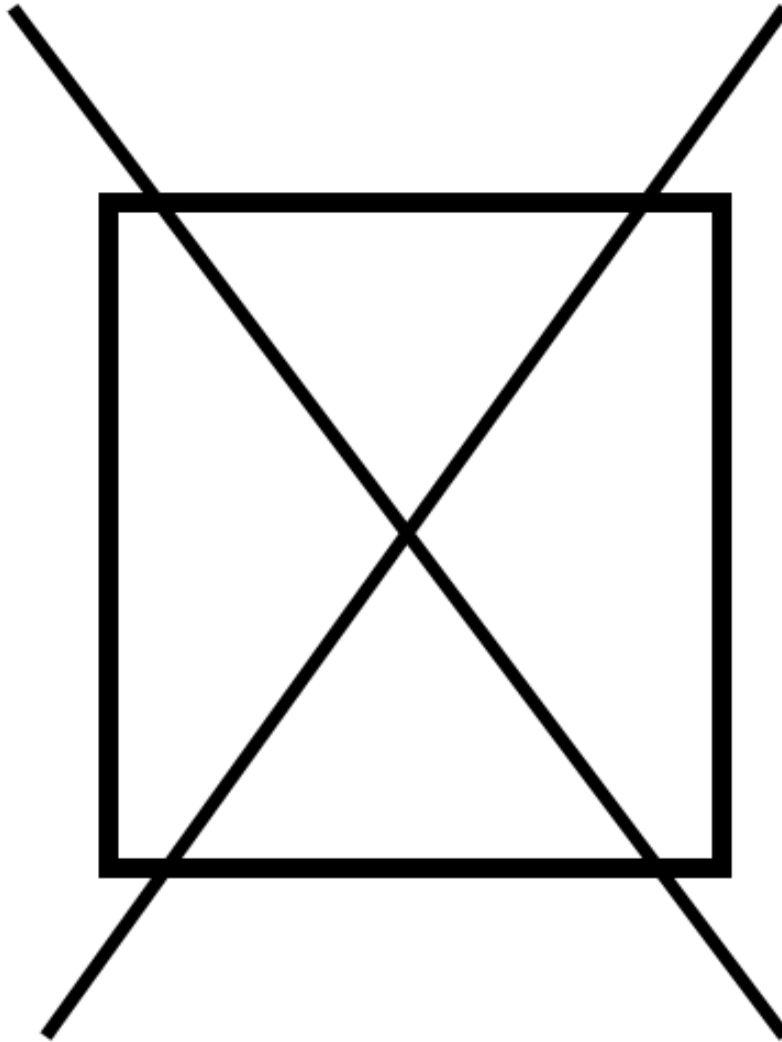
ELECTRONICS ASSEMBLY





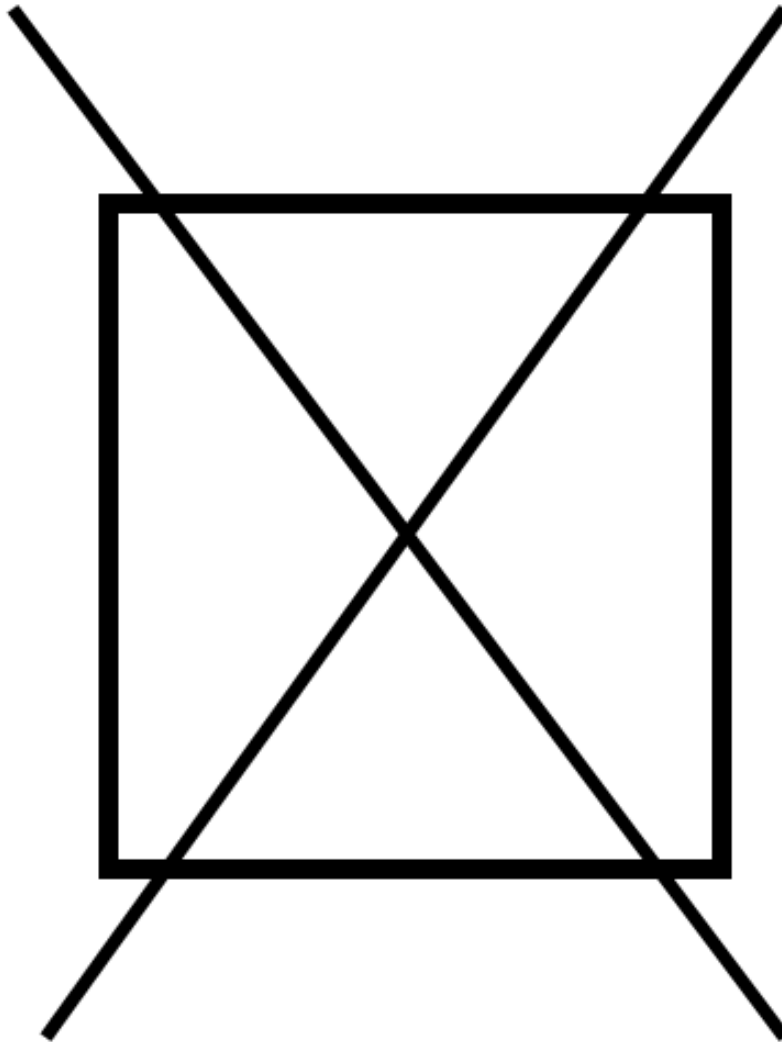
Item	Part No.	Name	Qty	Uom	NOTES
1	PE050026	COOLING FAN (VDSC)	1	EA	
2	PA020035	DSI MODULE REPL PA020027	1	EA	
3	PD020083	#6 X 1 HEX HD SMS (VGSC306)	1	EA	
4	PE070148	SELF-CLEAN BOARD/TIMER (VDSC)	1	EA	
5	PD030033	GROMMET NUT-ROUND HD. #8 X .500DIA.	1	EA	
6	PD020060	10 X 1/2" (5/16)HEX WSHER HD.(T)A	1	EA	
7	PE050001	TERMINAL BOARD	1	EA	
8	PJ030002	AUTO RESET (SELF-CLEAN) VDSC	1	EA	
9	PM010029	RELAY (DOUBLE POLE- DOUBLE THROW)TEM	1	EA	
10	A2004458	RELAY BRACKET (VGSC306) (2 RELAY)	1	EA	NO LONGER AVAILABLE
11	PD020067	' #6 X 3/8" PAN PHIL. TEK *SS*	1	EA	
12	PA010139	F J T VALVE REPL PA010079	1	EA	
13	A2004450	BRACKET MVS SOLINOID	1	EA	NO LONGER AVAILABLE, Not available online / Call for pricing and availability
14	PD020032	SRW-8(A)X3/8"PH.WFR HD 7/16DIA*NICL	1	EA	
15	B2005386	CART HANDLE SPACER	1	EA	NO LONGER AVAILABLE
16	PE070468	TRANSFORMER HALOGEN LIGHTS REPLACES PE070222	1	EA	
17	PA020048	Spark Module (6B /6G/ 4Q)	1	EA	
17	PA020047	INVENSYS 0+4 RE-IGNITION SPARK MODULE	1	EA	

NON
ILLUSTRATED PART



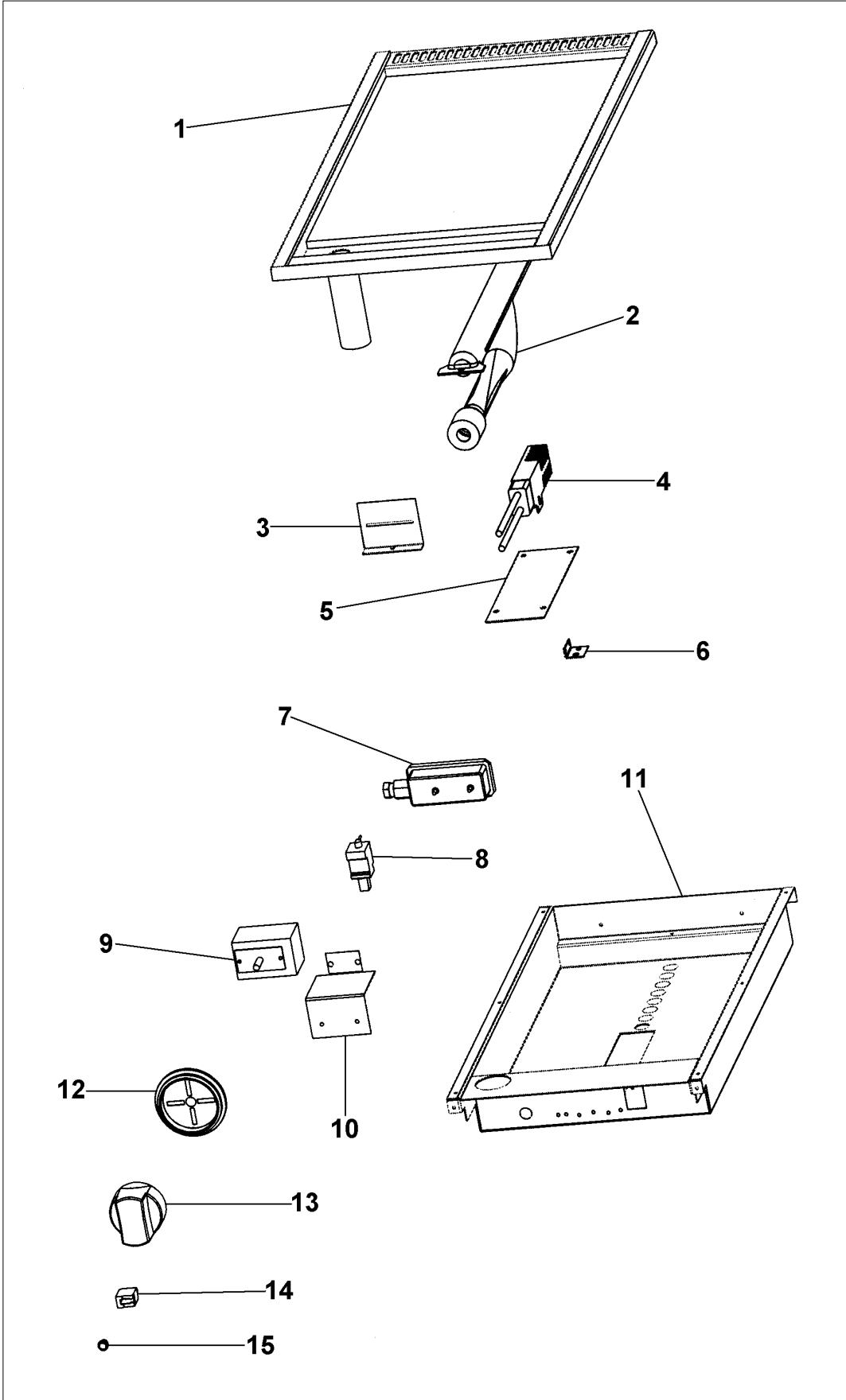
Item	Part No.	Name	Qty	Uom	NOTES
1	PJ030015	6 POS. SELECTOR SWITCH	1	EA	NO LONGER AVAILABLE
2	PJ030002	AUTO RESET (SELF-CLEAN) VDSC	1	EA	
3	006200-000	U-SHAPE BAKE BURNER 10" NAT.	1	EA	
4	PB040170	BAKE IGNITION ELECTRODE	1	EA	
5	G3001876	IR BURNER ASSY (VGSC/RC) N/S	1	EA	
6	PB040171	BROIL IGNITION ELECTRODE	1	EA	
7	PB050081	BURNER BASE ASM	1	EA	
8	PA080075	Burner Body	1	EA	
9	PB050063	Burner Head	1	EA	
Not Shown	NOTE	(BEFORE 12/19/14)		EA	
9	001394-042	15000 BTU NAT JETHOLDER	1	EA	
Not Shown	NOTE	(After 12/18/07)		EA	
9	001394-043	13500 BTU LP JETHOLDER	1	EA	
Not Shown	NOTE	(After 12/18/07)		EA	
10	PE050057	CONVECTION FAN (VGSC306)	1	EA	
11	PE050026	COOLING FAN (VDSC)	1	EA	
12	PJ030006	SWITCH (COOLING FAN)	1	EA	
13	PE050053	DR LATCH REPL PE050020	1	EA	
14	PA020035	DSI MODULE REPL PA020027	1	EA	
15	PA010139	F J T VALVE REPL PA010079	1	EA	
16	PB050074	Griddle Burner	1	EA	
17	PB040001	Igniter	1	EA	
18	PB010264	GRIDDLE THERMOSTAT	1	EA	
19	PB050077	GRILL BURNER	1	EA	
20	PA020028	SPARK IGNITER	1	EA	
21	003546-000	PA010119 VALVE AND BOLT KIT	1	EA	
22	PE050059	HI-LIMIT SWITCH	1	EA	
23	PA070003	PRESSURE REGULATOR	1	EA	

NON
ILLUSTRATED PART



Item	Part No.	Name	Qty	Uom	NOTES
24	PM010029	RELAY (DOUBLE POLE-DOUBLE THROW)TEM	1	EA	
25	PB010004	SINGLE SAFETY VALVE (NAT. GRIDDLE)	1	EA	
26	PE070148	SELF-CLEAN BOARD/TIMER (VDSC)	1	EA	
27	007147-000	SHUTOFF VALVE ASSY	1	EA	
28	PA020045	Spark Ignition Switch	1	EA	
29	PA020047	INVENSYS 0+4 RE-IGNITION SPARK MODULE	1	EA	
30	PA020048	Spark Module (6B /6G/ 4Q)	1	EA	
31	PE050001	TERMINAL BOARD	1	EA	
32	PB010186	EK39 THERMOSTAT (SELF-CLEAN)	1	EA	
33	PB050081	BURNER BASE ASM	1	EA	
34	003517-000	PA010158 VALVE AND BOLT KIT	1	EA	
35	PE070468	TRANSFORMER HALOGEN LIGHTS REPLACES PE070222	1	EA	

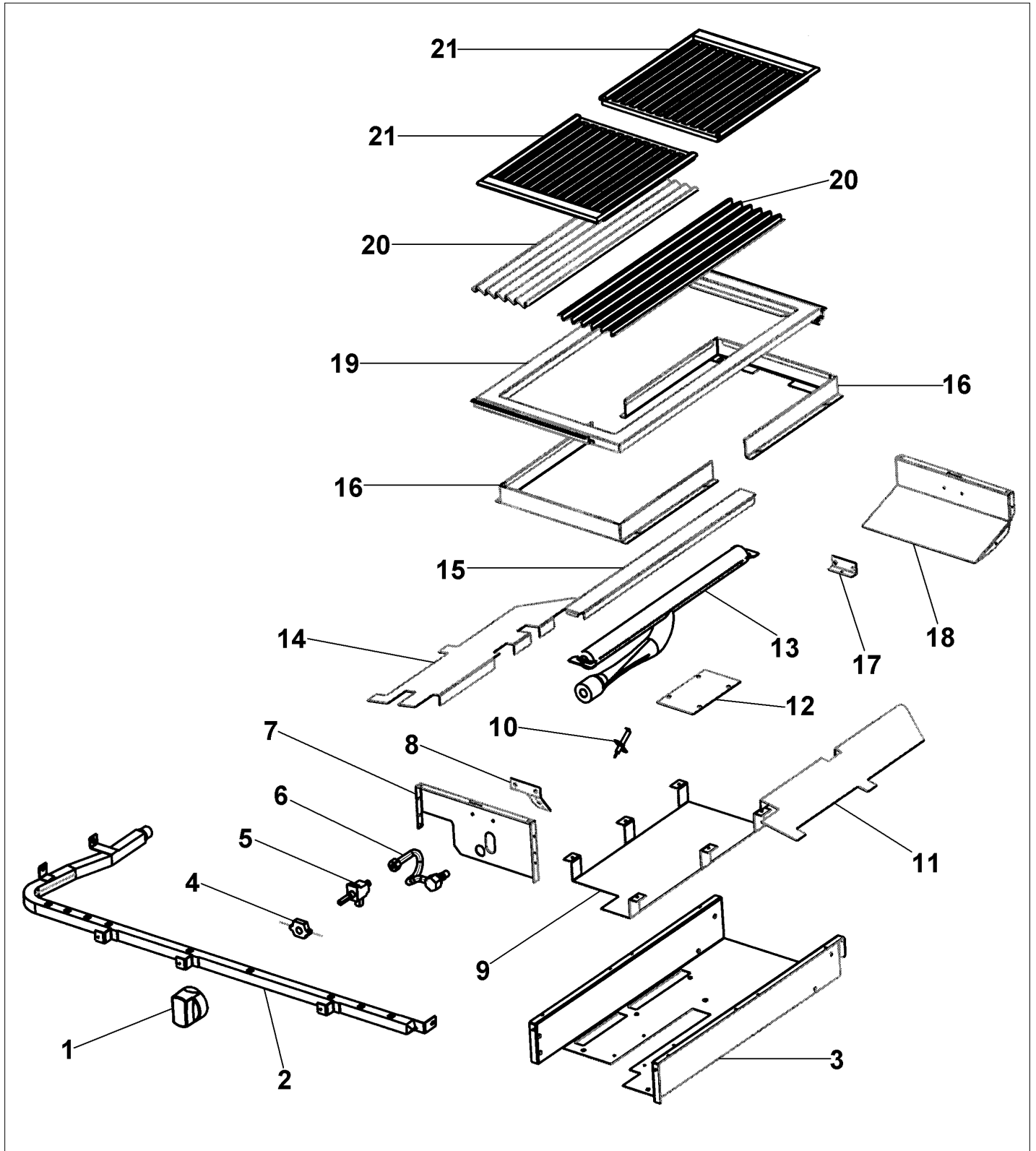
GRIDDLE ASSEMBLY



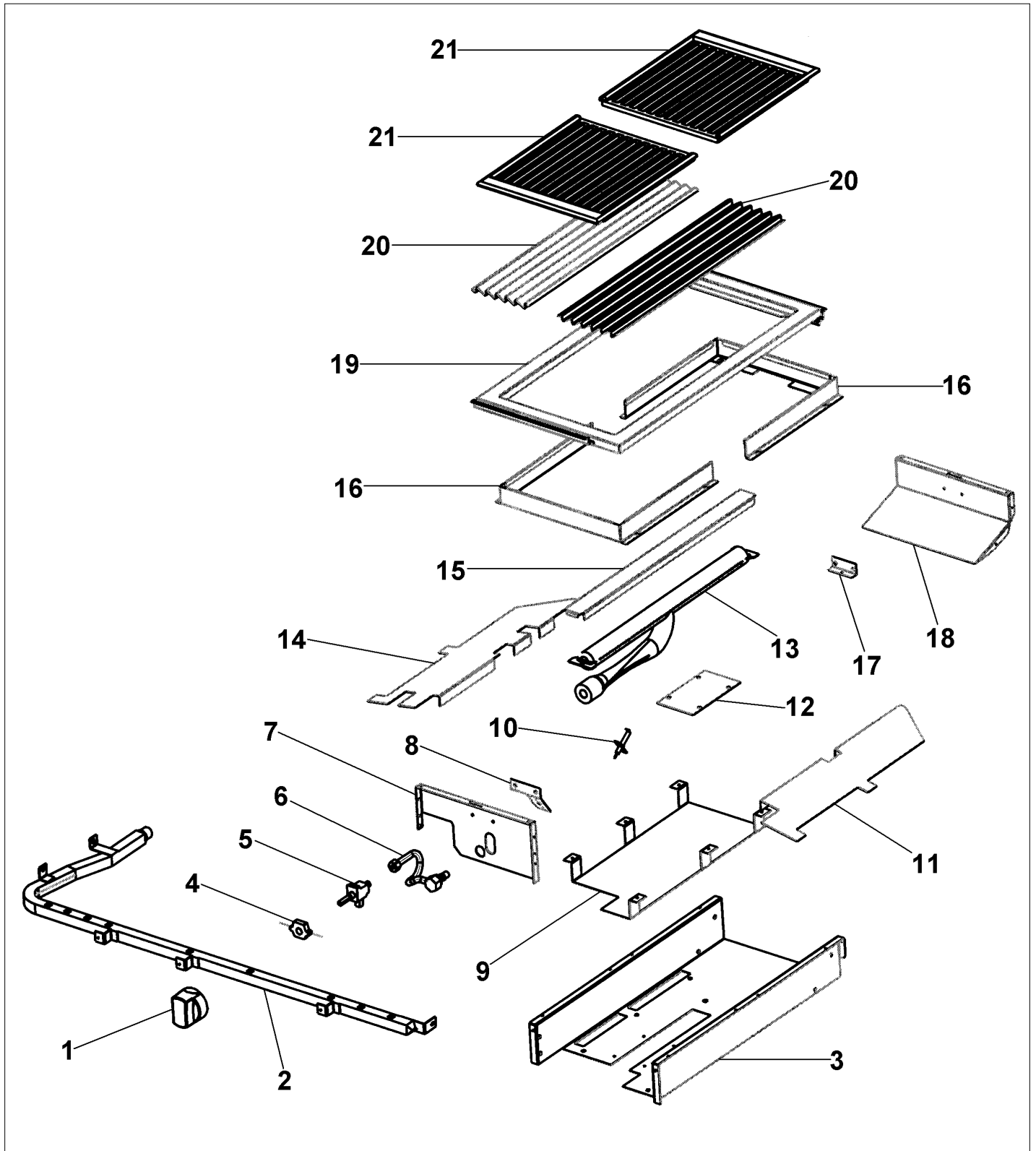


Item	Part No.	Name	Qty	Uom	NOTES
1	003208-000	12" SEALED GRIDDLE FRAME ASSY	1	EA	
2	PB050074	Griddle Burner	1	EA	
3	A2009580	Griddle Burner Bracket	1	EA	
4	PB040001	Igniter	1	EA	
5	A1009513	GRIDDLE VENTURI PLATE	1	EA	NO LONGER AVAILABLE, Not available online / Call for pricing and availability
6	A2001300	Griddle Igniter Bracket	1	EA	
7	PB010004	SINGLE SAFETY VALVE (NAT. GRIDDLE)	1	EA	
8	007147-000	SHUTOFF VALVE ASSY	1	EA	
9	PB010264	GRIDDLE THERMOSTAT	1	EA	
10	A2007867	Griddle Valve Bracket	1	EA	Not available online / Call for pricing and availability
11	A2007862	Sealed Griddle Box	1	EA	
12	050172-000	BEZEL, KNOB	1	EA	
12	PB010209	Bezel - BR	1	EA	
13	PB010103	GRIDDLE KNOB N/S *BK*	1	EA	
13	PB010104	GRIDDLE KNOB N/S *WH*	1	EA	
14	PE050024	OVEN IND. LIGHT (LIGHT HOUSING)	1	EA	
<p>Comments for Part Num. PE050024</p> <p>haarnink@vikingrange.com on Jan 14, 2019</p> <p>please note that the indicator light is now part 043135-000 but needs the Jumper harness 051443-000. and second option there are units in the field with a 230V indicator light part number 036566-000.</p> <p>please check this for all "E" module ranges/Tops</p>					
15	PE050023	OVEN IND. LIGHT (LENS & BEZEL)	1	EA	

GRILL ASSEMBLY



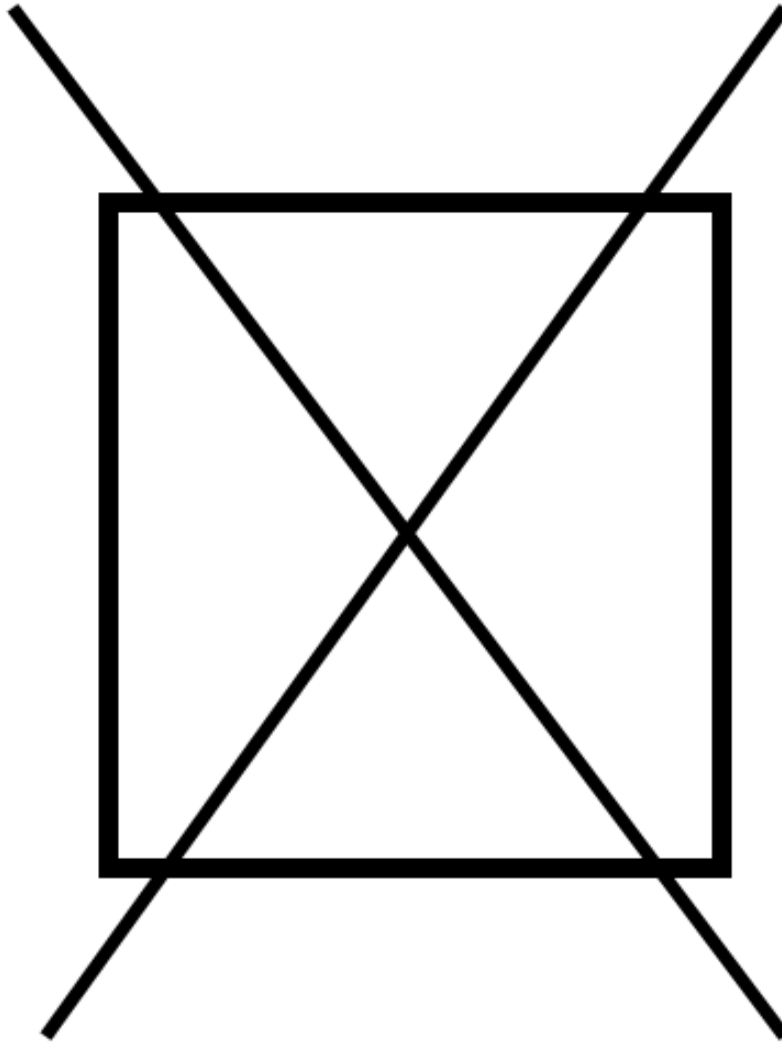
Item	Part No.	Name	Qty	Uom	NOTES
1	PA010039	TOP GRILL KNOB*BK* (VGRC) (N/STYLE	1	EA	
Not Shown	PA010040	TOP GRILL KNOB*WH* (VGRC) (N/STYLE	1	EA	
2	002158-000	36" UNIVERSAL MANIFOLD	1	EA	
3	A2001852	GRILL BOX - (VGRC605)	1	EA	
4	PA020045	Spark Ignition Switch	1	EA	
5	003546-000	PA010119 VALVE AND BOLT KIT	1	EA	
6	PB020025	TUBING-GRILL (REVISED) REP PB020021	1	EA	
7	A2001631	GRILL BOX FRONT (VGRC)	1	EA	
8	A2001633	GRILL FRONT SPARKER BRKT (VGRC)	1	EA	
9	A2001863	GRILL BTM SHIELD (VGRC605)	1	EA	
10	PA020028	SPARK IGNITER	1	EA	
11	B2001857	GRILL HEAT DEFLECTOR-RH (VGRC60)	1	EA	
12	A1001862	GRILL VENTURI COVER (VGRC605)	1	EA	
13	PB050077	GRILL BURNER	1	EA	
14	B2001856	GRILL HEAT DEFLECTOR-LH (VGRC60)	1	EA	
15	B2009866	SEALED FLAME SHIELD	1	EA	NO LONGER AVAILABLE
16	A2009809	SHIELD GRATE BRACKET	1	EA	NO LONGER AVAILABLE
17	A2001132	REAR GRILL BURNER BRKT (VGRT)	1	EA	
18	A2001855	GRILL BACK - (VGRC605)	1	EA	
19	G9109811	GRILL SUPT ASSY *BK*	1	EA	
19	G9109811AL	GRILL SUPPORT ASSEMBLY - AL	1	EA	Not available online / Call for pricing and availability
19	G9109811BT	GRILL SUPPORT ASSEMBLY - BT	1	EA	Not available online / Call for pricing and availability
19	G9109811CB	GRILL SUPPORT ASSEMBLY - CB	1	EA	Not available online / Call for pricing and availability





Item	Part No.	Name	Qty	Uom	NOTES
19	G9109811EP	GRILL SUPPORT ASSEMBLY - EP	1	EA	Not available online / Call for pricing and availability
19	G9109811FG	GRILL SUPPORT ASSEMBLY - FG	1	EA	Not available online / Call for pricing and availability
19	G9109811GG	GRILL SUPPORT ASSEMBLY - GG	1	EA	Not available online / Call for pricing and availability
19	G9109811LE	GRILL SUPPORT ASSEMBLY - LE	1	EA	Not available online / Call for pricing and availability
19	G9109811MJ	GRILL SUPPORT ASSEMBLY - MJ	1	EA	Not available online / Call for pricing and availability
19	G9109811SG	GRILL SUPPORT ASSEMBLY - SG	1	EA	Not available online / Call for pricing and availability
19	G9109811VB	GRILL SUPPORT ASSEMBLY - VB	1	EA	Not available online / Call for pricing and availability
19	G9109811WH	GRILL SUPT ASSY *WH*	1	EA	NO LONGER AVAILABLE, Not available online / Call for pricing and availability
20	E9101130BK	GRILL SMOKE GENERATOR	1	EA	
21	PA060058	GRILL GRATE - MATT *BK* RE PA060028	1	EA	
21	PA060059	GRILL GRATE -MATT *GR* RE PA060029	1	EA	

NON
ILLUSTRATED PART

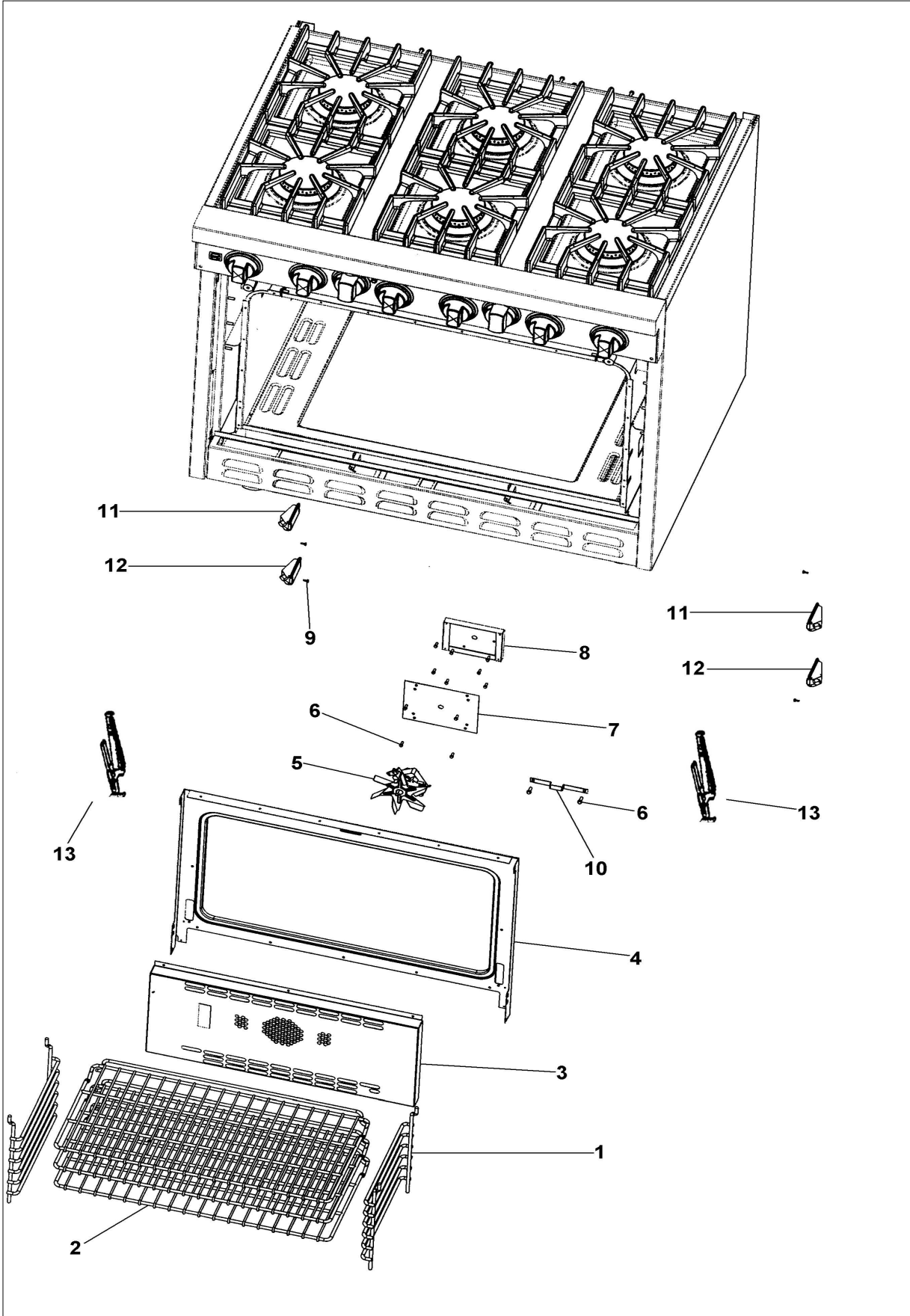




VGSC367

Item	Part No.	Name	Qty	Uom	NOTES
NI	PE070829	IGNITOR WIRE KIT (VGSC367-6B)	1	EA	

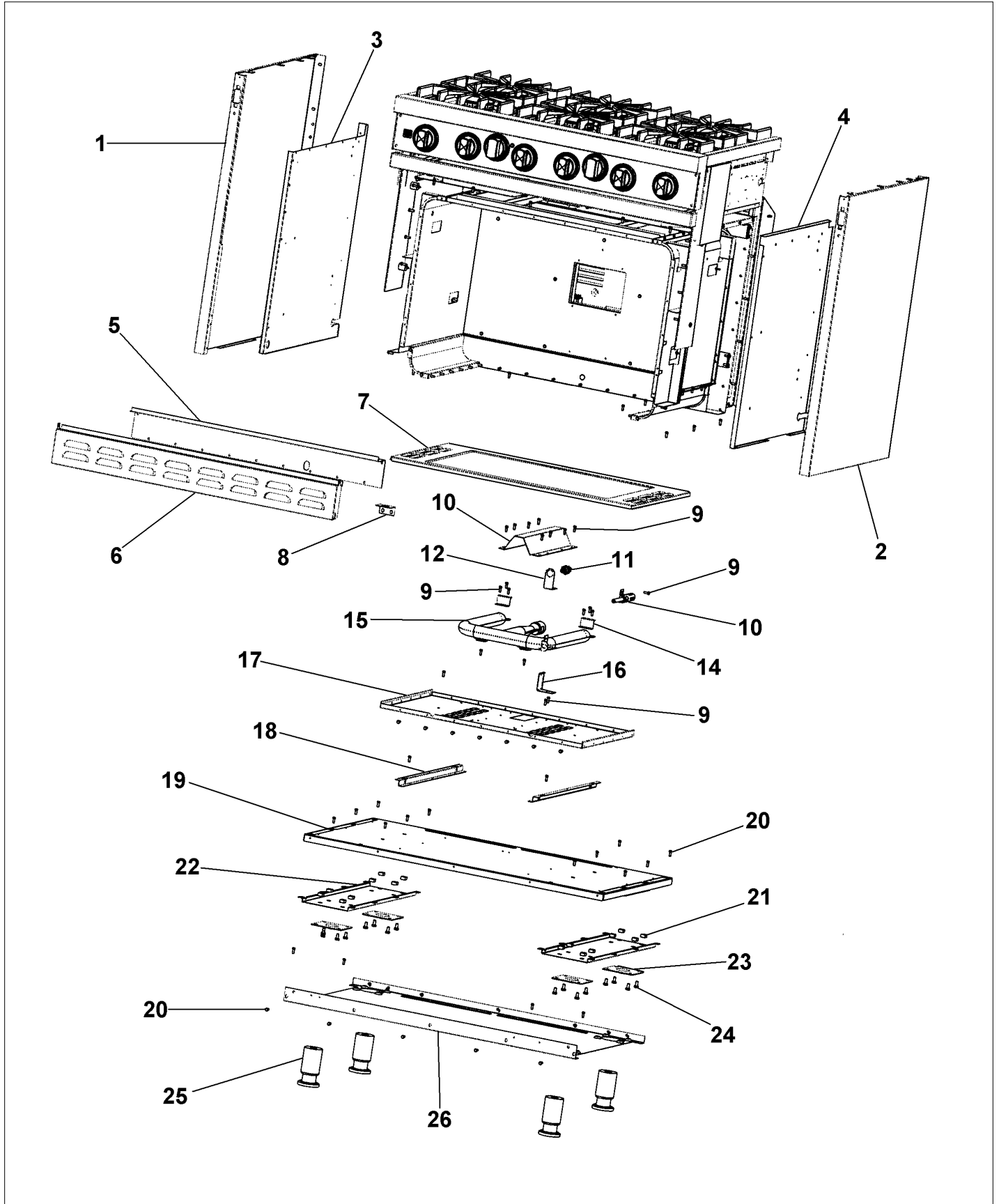
LOWER OVEN CAVITY ASSEMBLY



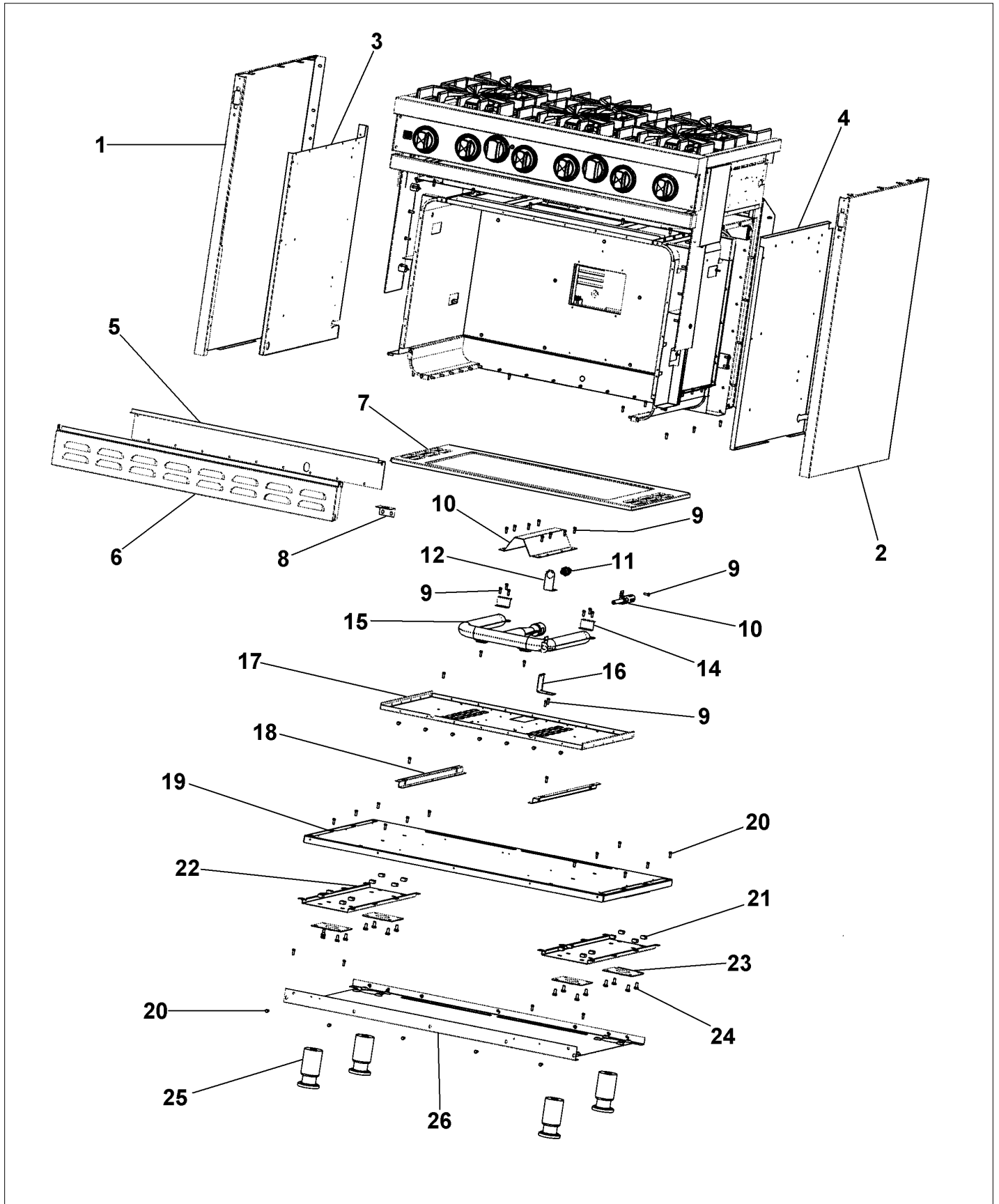


Item	Part No.	Name	Qty	Uom	NOTES
1	PB060030	RACK SUPT REPL PB060010	1	EA	
2	PB060045	OVEN RK VDSC36 REPL PB060020	1	EA	
3	G9105513	CONVECTION FAN COVER ASSY (VGSC366)	1	EA	
4	G9102744	OVEN FRONT FRAME ASSY (VDSC36)	1	EA	Not available online / Call for pricing and availability
5	PE050057	CONVECTION FAN (VGSC306)	1	EA	
6	PD020048	NO.10 X 1/2 TEK 410 SS SCREW	1	EA	
7	A1002596	CONVECTION FAN COVER (VDSC)	1	EA	
8	A2002595	CONVECTION FAN BOX (VDSC)	1	EA	
9	PD020067	' #6 X 3/8" PAN PHIL. TEK *SS*	1	EA	
10	A2004428	REAR BOTTOM BRCKT (VGSC306)	1	EA	
11	PE050148	OVEN LIGHT ASSY. W/32" CABLE	1	EA	
12	PE050056	OVEN LIGHT ASSY 12V/5W	1	EA	
13	PC020126	HINGE ASSEMBLY	1	EA	

LOWER RANGE ASSEMBLY

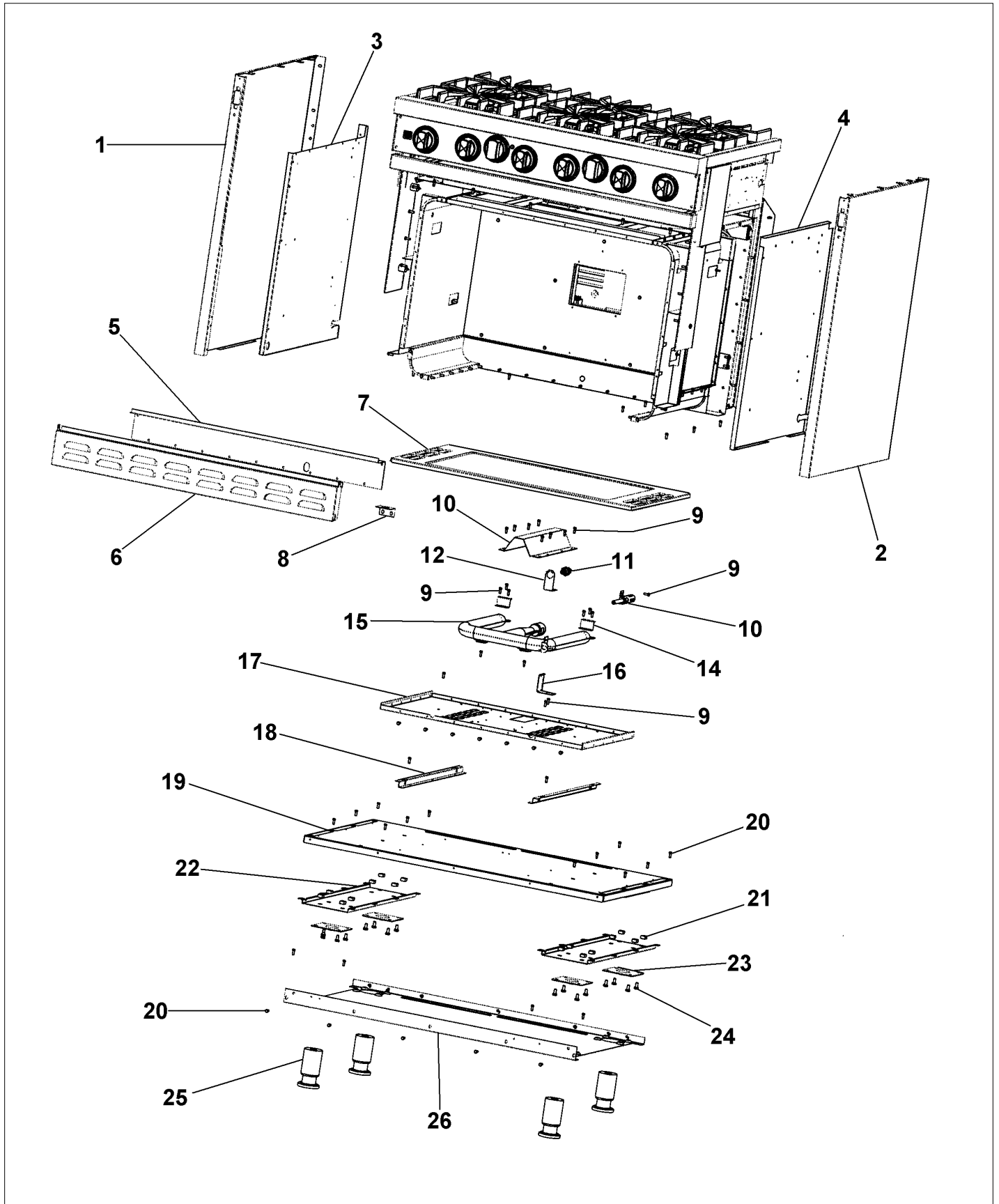


Item	Part No.	Name	Qty	Uom	NOTES
1	B20010180	O/S BODY PANEL - LH		EA	
1	C90010180AL	SIDE PANEL LH *AL*		EA	NO LONGER AVAILABLE, Not available online / Call for pricing and availability
1	C90010180BK	SIDE PANEL LH *BK*		EA	Not available online / Call for pricing and availability
1	C90010180BT	SIDE PANEL LH *BT*		EA	NO LONGER AVAILABLE, Not available online / Call for pricing and availability
1	C90010180BU	SIDE PANEL LH *BU*		EA	
1	C90010180CB	SIDE PANEL LH *CB*		EA	NO LONGER AVAILABLE
1	C90010180EP	SIDE PANEL LH *EP*		EA	NO LONGER AVAILABLE, Not available online / Call for pricing and availability
1	C90010180FG	SIDE PANEL LH *FG*		EA	NO LONGER AVAILABLE, Not available online / Call for pricing and availability
1	C90010180GG	SIDE PANEL LH *GG*		EA	NO LONGER AVAILABLE, Not available online / Call for pricing and availability
1	C90010180LE	SIDE PANEL LH *LE*		EA	NO LONGER AVAILABLE, Not available online / Call for pricing and availability
1	C90010180MJ	SIDE PANEL LH *MJ*		EA	
1	C90010180SG	SIDE PANEL LH *SG*		EA	NO LONGER AVAILABLE, Not available online / Call for pricing and availability
1	C90010180VB	SIDE PANEL LH *VB*		EA	NO LONGER AVAILABLE, Not available online / Call for pricing and availability
1	C90010180WH	SIDE PANEL LH *WH*		EA	
2	B20010179	O/S BODY PANEL - RH		EA	



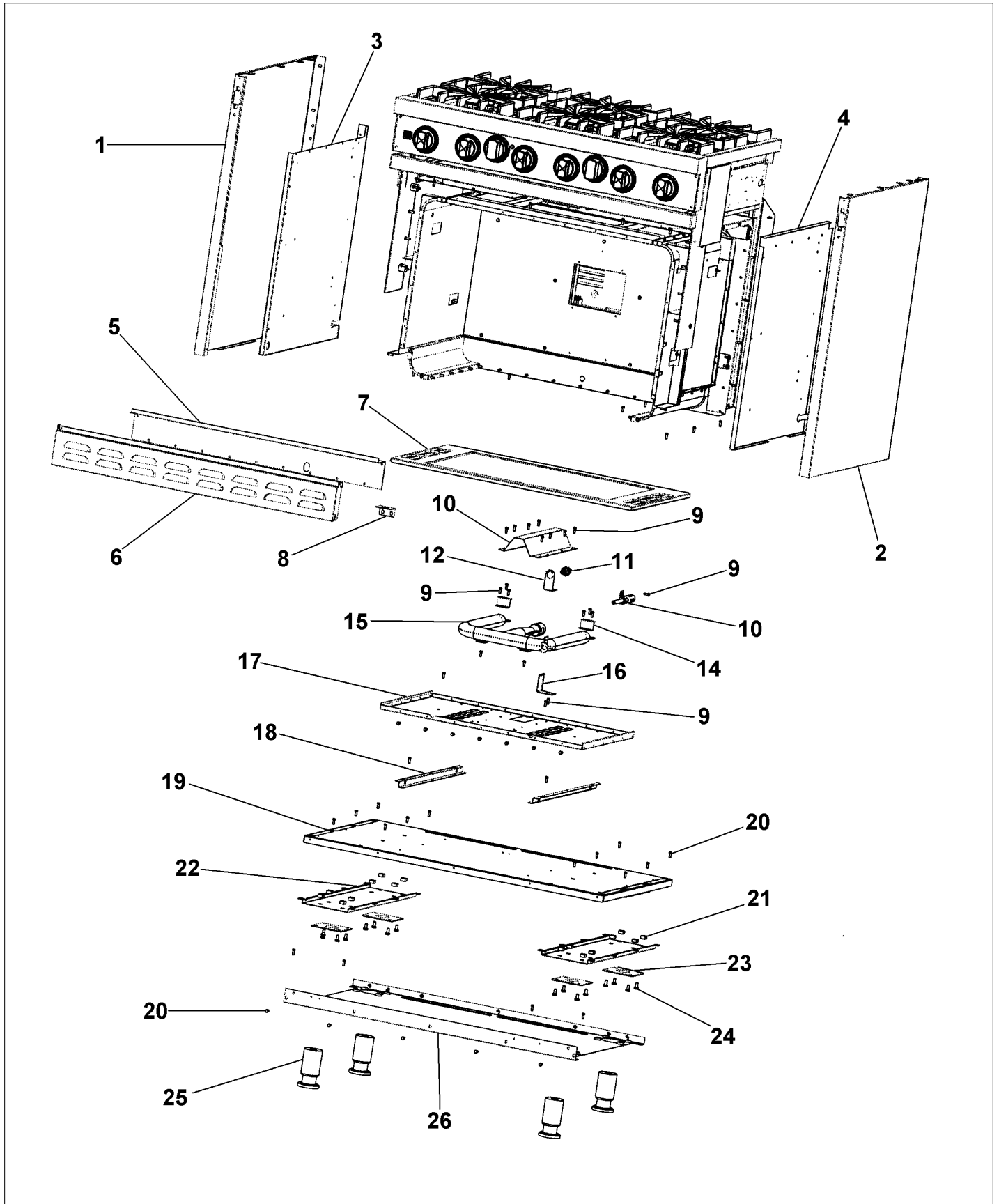


Item	Part No.	Name	Qty	Uom	NOTES
2	C90010179AL	SIDE PANEL RH *AL*		EA	NO LONGER AVAILABLE, Not available online / Call for pricing and availability
2	C90010179BK	SIDE PANEL RH *BK*		EA	NO LONGER AVAILABLE
2	C90010179BT	SIDE PANEL RH *BT*		EA	NO LONGER AVAILABLE, Not available online / Call for pricing and availability
2	C90010179BU	SIDE PANEL RH *BU*		EA	Not available online / Call for pricing and availability
2	C90010179CB	SIDE PANEL RH *CB*		EA	NO LONGER AVAILABLE
2	C90010179EP	SIDE PANEL RH *EP*		EA	NO LONGER AVAILABLE, Not available online / Call for pricing and availability
2	C90010179FG	SIDE PANEL RH *FG*		EA	NO LONGER AVAILABLE, Not available online / Call for pricing and availability
2	C90010179GG	SIDE PANEL RH *GG*		EA	NO LONGER AVAILABLE, Not available online / Call for pricing and availability
2	C90010179LE	SIDE PANEL RH *LE*		EA	NO LONGER AVAILABLE, Not available online / Call for pricing and availability
2	C90010179MJ	SIDE PANEL RH *MJ*		EA	
2	C90010179SG	SIDE PANEL RH *SG*		EA	NO LONGER AVAILABLE, Not available online / Call for pricing and availability
2	C90010179VB	SIDE PANEL RH *VB*		EA	NO LONGER AVAILABLE, Not available online / Call for pricing and availability
2	C90010179WH	SIDE PANEL RH *WH*		EA	

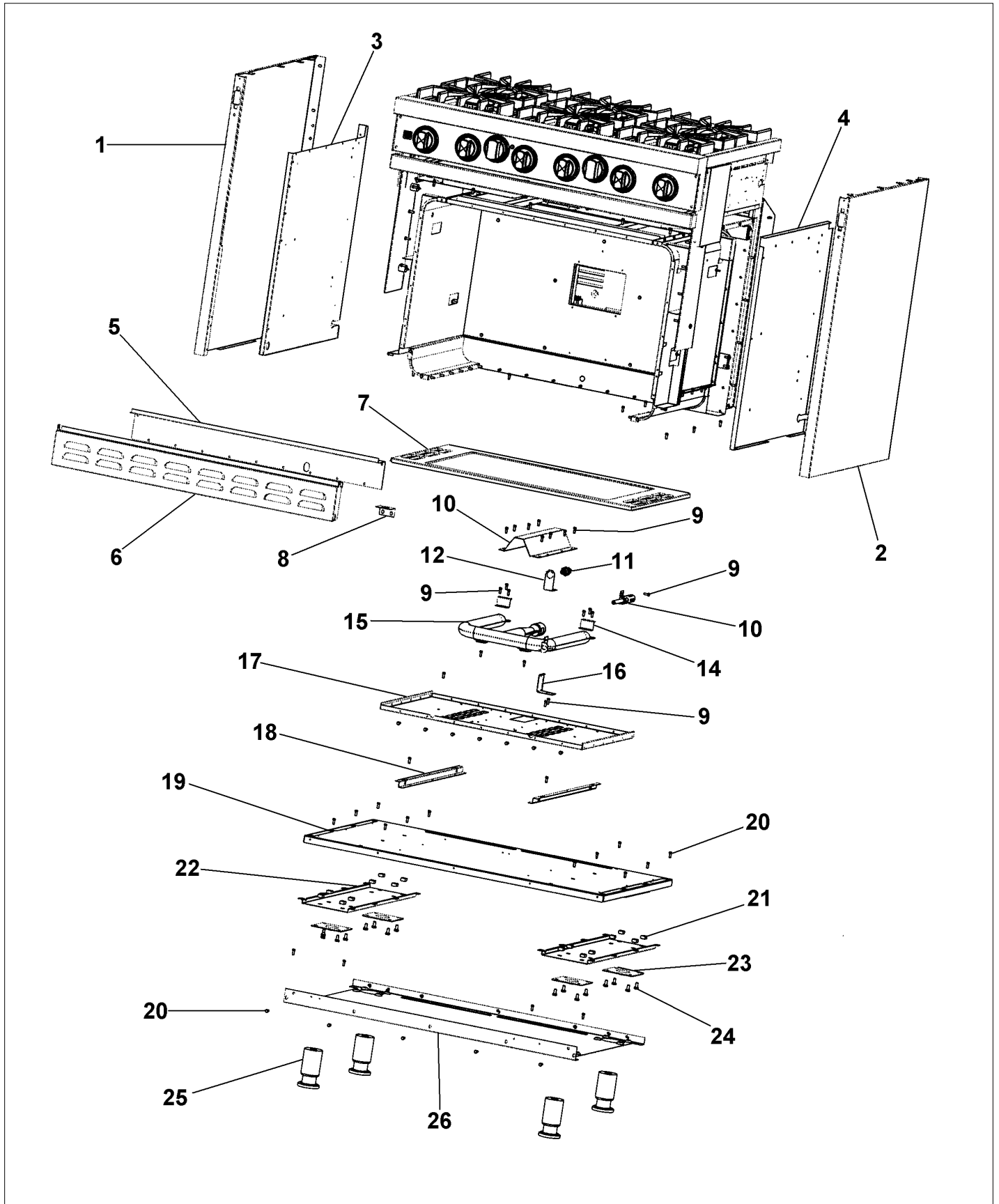




Item	Part No.	Name	Qty	Uom	NOTES
3	A2005550	OVEN SIDE INSUL RETAINER		EA	NO LONGER AVAILABLE, Not available online / Call for pricing and availability
4	A2005549	OVEN SIDE INSUL RETAINER R.H.		EA	NO LONGER AVAILABLE, Not available online / Call for pricing and availability
5	E9105500	BAKE BURNER BOX FRONT		EA	NO LONGER AVAILABLE, Not available online / Call for pricing and availability
6	B2001504	LWR ACC PNL - RPLCS B2001977		EA	
6	C9001504AL	LWR ACC PNL - RPLCS C9001977AL		EA	NO LONGER AVAILABLE
6	C9001504BK	LWR ACC PNL - RPLCS C9001977BK		EA	
6	C9001504BT	LWR ACC PNL - RPLCS C9001977BT		EA	NO LONGER AVAILABLE, Not available online / Call for pricing and availability
6	C9001504BU	LWR ACC PNL - RPLCS C9001977BU		EA	Not available online / Call for pricing and availability
6	C9001504CB	LWR ACC PNL - RPCLS C9001977CB		EA	NO LONGER AVAILABLE, Not available online / Call for pricing and availability
6	C9001504EP	LWR ACC PNL - RPLCS C9001977EP		EA	NO LONGER AVAILABLE
6	C9001504FG	LWR ACC PNL - RPLCS C9001977FG		EA	NO LONGER AVAILABLE
6	C9001504GG	LWR ACC PNL - RPLCS C9001977GG		EA	NO LONGER AVAILABLE, Not available online / Call for pricing and availability
6	C9001504LE	LWR ACC PNL - RPLCS C9001977LE		EA	NO LONGER AVAILABLE, Not available online / Call for pricing and availability



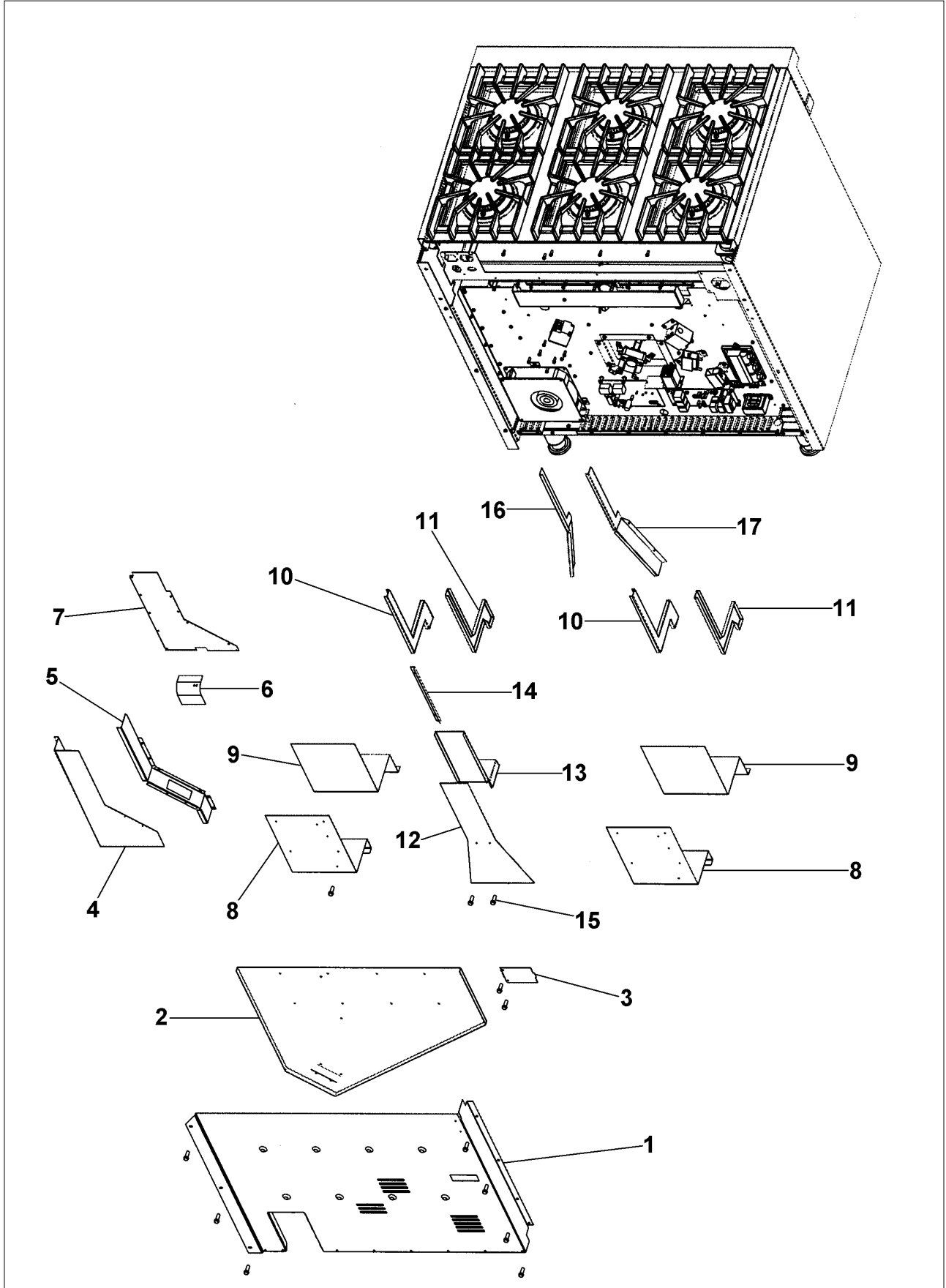
Item	Part No.	Name	Qty	Uom	NOTES
6	C9001504MJ	LWR ACC PNL - RPLCS C9001977MJ		EA	Not available online / Call for pricing and availability
6	C9001504SG	LWR ACC PNL - RPCLS C9001977SG		EA	NO LONGER AVAILABLE, Not available online / Call for pricing and availability
6	C9001504VB	LWR ACC PNL - RPLCS C9001977VB		EA	NO LONGER AVAILABLE
6	C9001504WH	LWR ACC PNL - RPLCS C9001977WH		EA	
7	068458-000	ASM, BOTTOM, CAVITY, OVEN, GAS 36" GRAY		EA	
Not Shown	NOTE	(INCLUDES HEAT SHIELD)		EA	
8	A20012922	DISCONNECT POWER BRACKET		EA	NO LONGER AVAILABLE, Not available online / Call for pricing and availability
9	PD020048	NO.10 X 1/2 TEK 410 SS SCREW		EA	
10	A2004424	BURNER COVER (VGSC306)		EA	
11	PB040262	BULKHEAD ORIFICE FITTING		EA	
NI	PB040180	ORIFICE HOOD #31		EA	
NI	PB040034	ORIFICE HOOD-#50 (NAT)		EA	
12	A2004434	ORIFICE BRACKET (VGSC306)		EA	Not available online / Call for pricing and availability
13	PB040170	BAKE IGNITION ELECTRODE		EA	
14	B2004415	BURNER BRACKET (VGSC306)		EA	
15	006200-000	U-SHAPE BAKE BURNER 10" NAT.		EA	
16	A2004452	BOTTOM IGINATION BRACKET (VGSC306)		EA	
17	A2005502	BAKE BURNER BOX BOTTOM		EA	NO LONGER AVAILABLE, Not available online / Call for pricing and availability
18	A2004429	OVEN BOTTOM INSUL. BRACE (VGSC306)		EA	



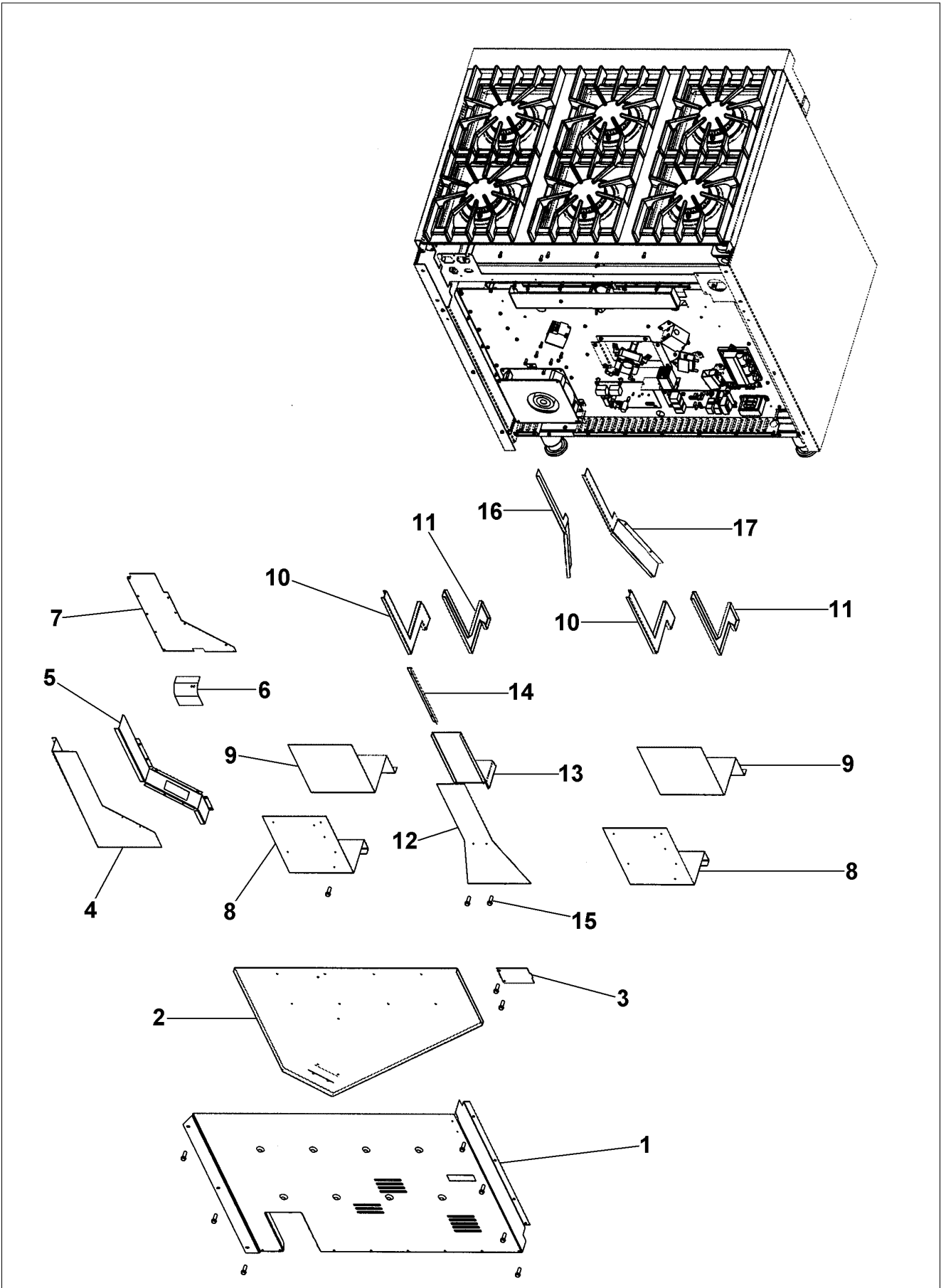


Item	Part No.	Name	Qty	Uom	NOTES
19	A2002784	BTM INSUL. SHIELD (VDSC365)		EA	NO LONGER AVAILABLE
20	PD020060	10 X 1/2" (5/16)HEX WSHR HD.(T)A		EA	
21	PD030029	SELF RETAINING NUT (1/4-20)		EA	
22	A2002482	LEG BRACE (VDSC)		EA	NO LONGER AVAILABLE
23	PC030007	LEG PLATE - 3/4" THREADED HOLE		EA	
24	PD010006	HEX HD. BOLT - 1/4-20 X 1/2		EA	
25	PC030017	4" LEG ASSY		EA	
26	A2002783	MAIN BTM (VDSC365)		EA	NO LONGER AVAILABLE
NI	019501-000	36" CURB BASE KIT		EA	

REAR UNIT ASSEMBLY



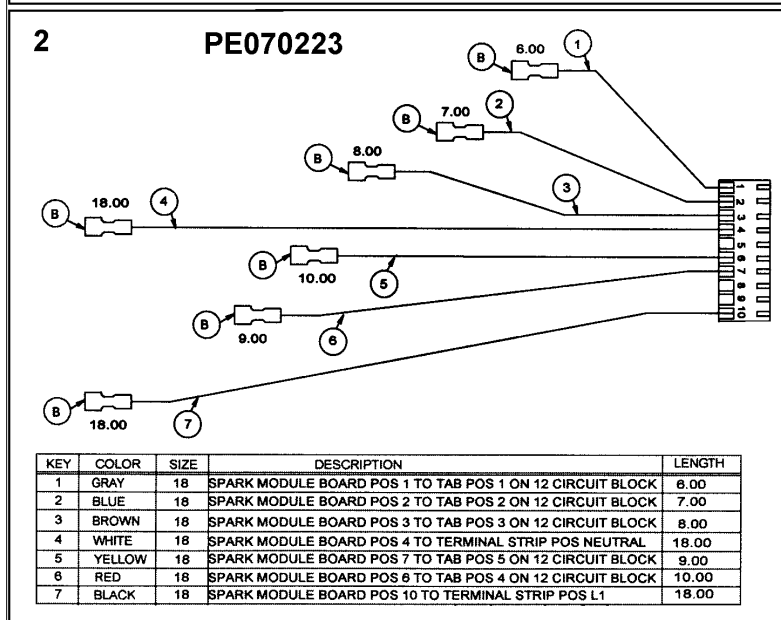
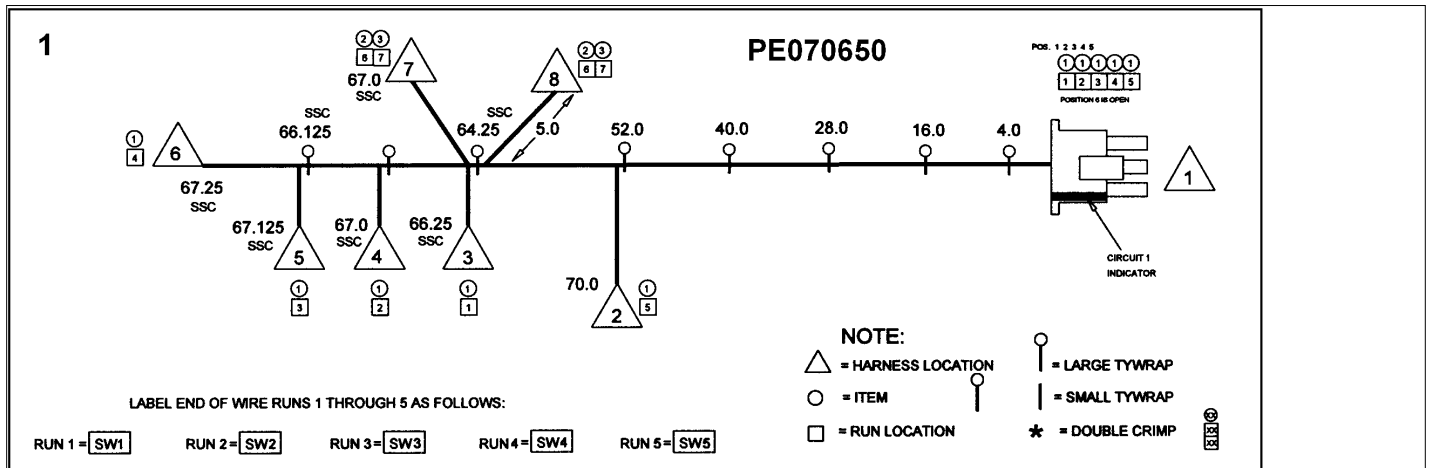
Item	Part No.	Name	Qty	Uom	NOTES
1	A2005522	OUTSIDE BACK (VGSC366)	1	EA	Not available online / Call for pricing and availability
2	A2005511	BACK AIR CHANNEL	1	EA	NO LONGER AVAILABLE, Not available online / Call for pricing and availability
3	A10012918	REAR ACCESS PLATE - 36	1	EA	NO LONGER AVAILABLE, Not available online / Call for pricing and availability
4	A2004447	COOLING FAN DUCT FRONT (VGSC306)	1	EA	NO LONGER AVAILABLE, Not available online / Call for pricing and availability
5	A2004449	COOLING FAN SIDE RH (VGSC306)	1	EA	NO LONGER AVAILABLE, Not available online / Call for pricing and availability
6	A2004451	COOLING FAN DUCT AIR DEFLECTOR	1	EA	NO LONGER AVAILABLE, Not available online / Call for pricing and availability
7	A1004448	COOLING DUCT BACK (VGSC306)	1	EA	NO LONGER AVAILABLE, Not available online / Call for pricing and availability
8	A2004420	FLUE BACK (VGSC306)	1	EA	NO LONGER AVAILABLE, Not available online / Call for pricing and availability
9	A2004421	FLUE FRONT (VGSC306)	1	EA	NO LONGER AVAILABLE, Not available online / Call for pricing and availability
10	A2004402	FULE SIDE RH (VGSC306)	1	EA	NO LONGER AVAILABLE, Not available online / Call for pricing and availability
11	A2004400	FLUE SIDE LH (VGSC306)	1	EA	NO LONGER AVAILABLE, Not available online / Call for pricing and availability





Item	Part No.	Name	Qty	Uom	NOTES
12	A2004418	BROILER FLUE FRONT (VGSC306)	1	EA	NO LONGER AVAILABLE, Not available online / Call for pricing and availability
13	A2004445	BROILER FLUE BACK (VGSC306)	1	EA	NO LONGER AVAILABLE, Not available online / Call for pricing and availability
14	A2004471	BACK AIR CHANNEL CENTER (VGSC306)	1	EA	NO LONGER AVAILABLE, Not available online / Call for pricing and availability
15	PD020060	10 X 1/2" (5/16)HEX WSHER HD.(T)A	1	EA	
16	A2004443	BROILER FLUE SIDE LH (VGSC306)	1	EA	NO LONGER AVAILABLE, Not available online / Call for pricing and availability
17	A2004442	BROILER FLUE SIDE RH (VGSC306)	1	EA	NO LONGER AVAILABLE, Not available online / Call for pricing and availability

SIMPLE HARNESSSES-CONTINUED

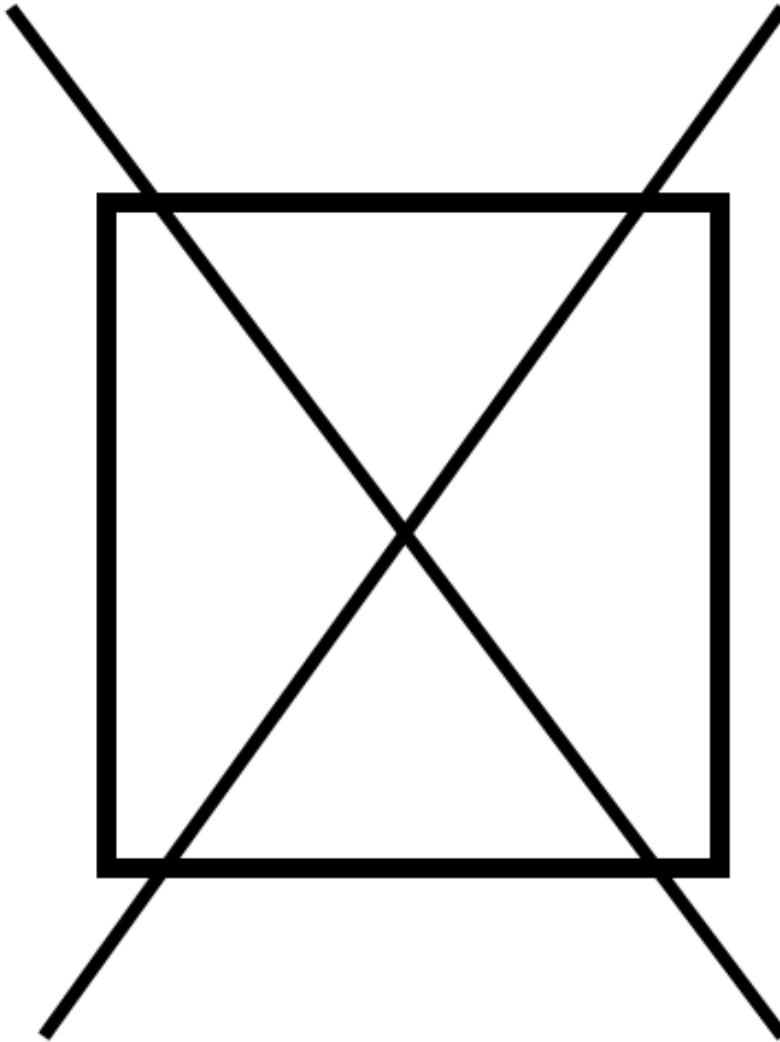




Item	Part No.	Name	Qty	Uom	NOTES
1	PE070650	HARNESS EXT. (VGSC367-4G)	1	EA	NO LONGER AVAILABLE, Not available online / Call for pricing and availability
2	PE070223	WIRE HARNESS P/C BOARD	1	EA	

SINGLE WIRING CONT.

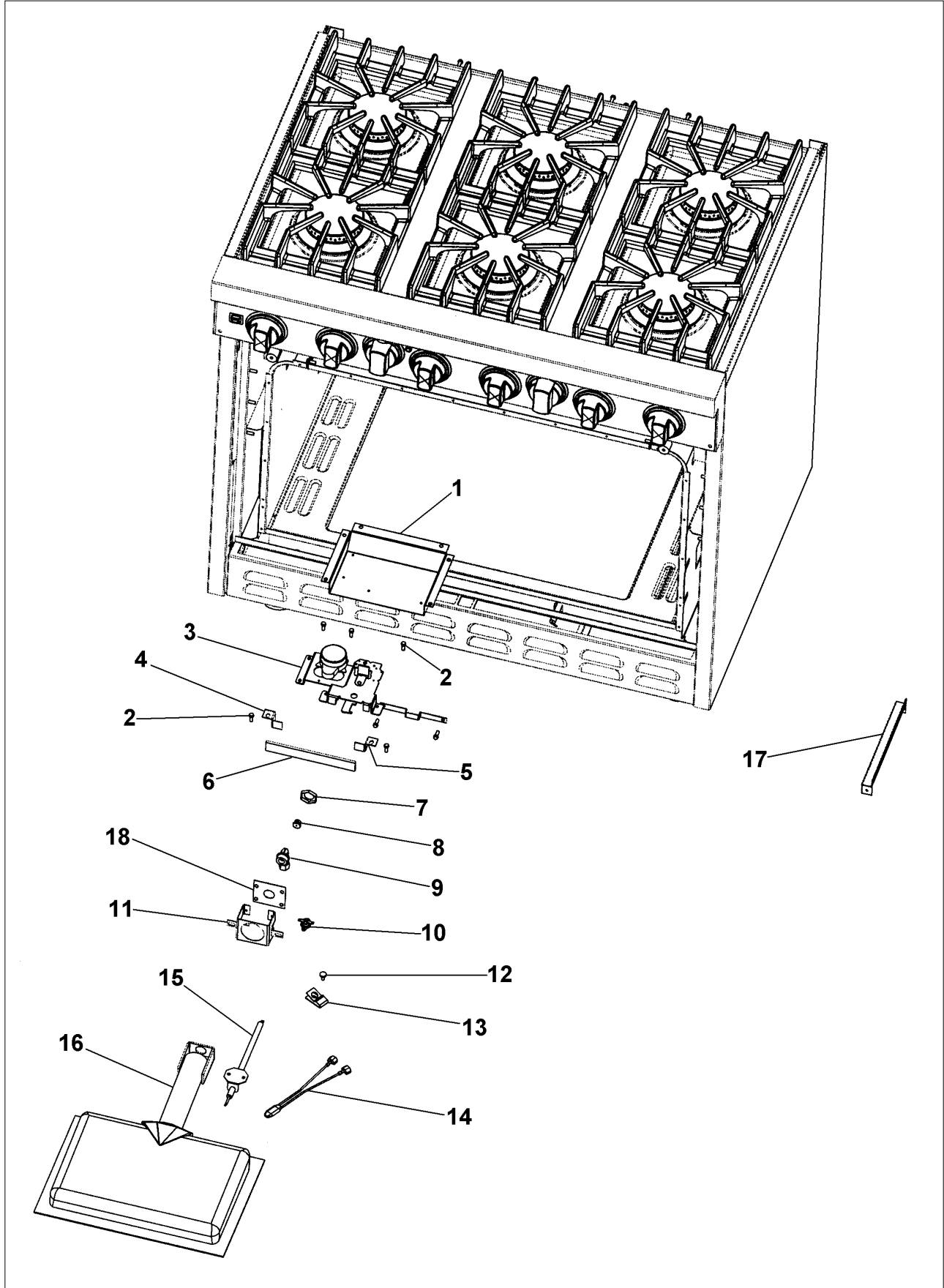
NON
ILLUSTRATED PART





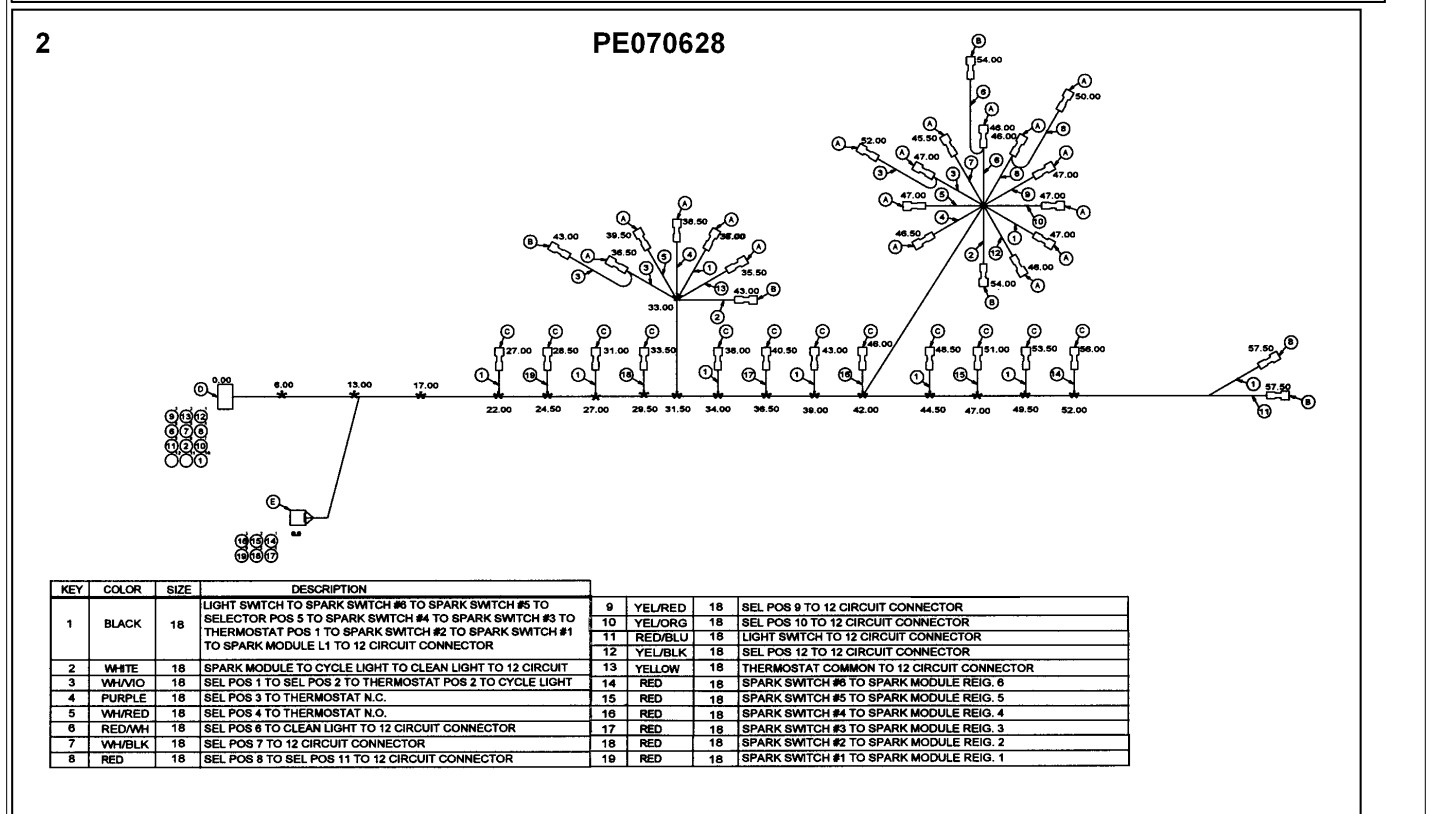
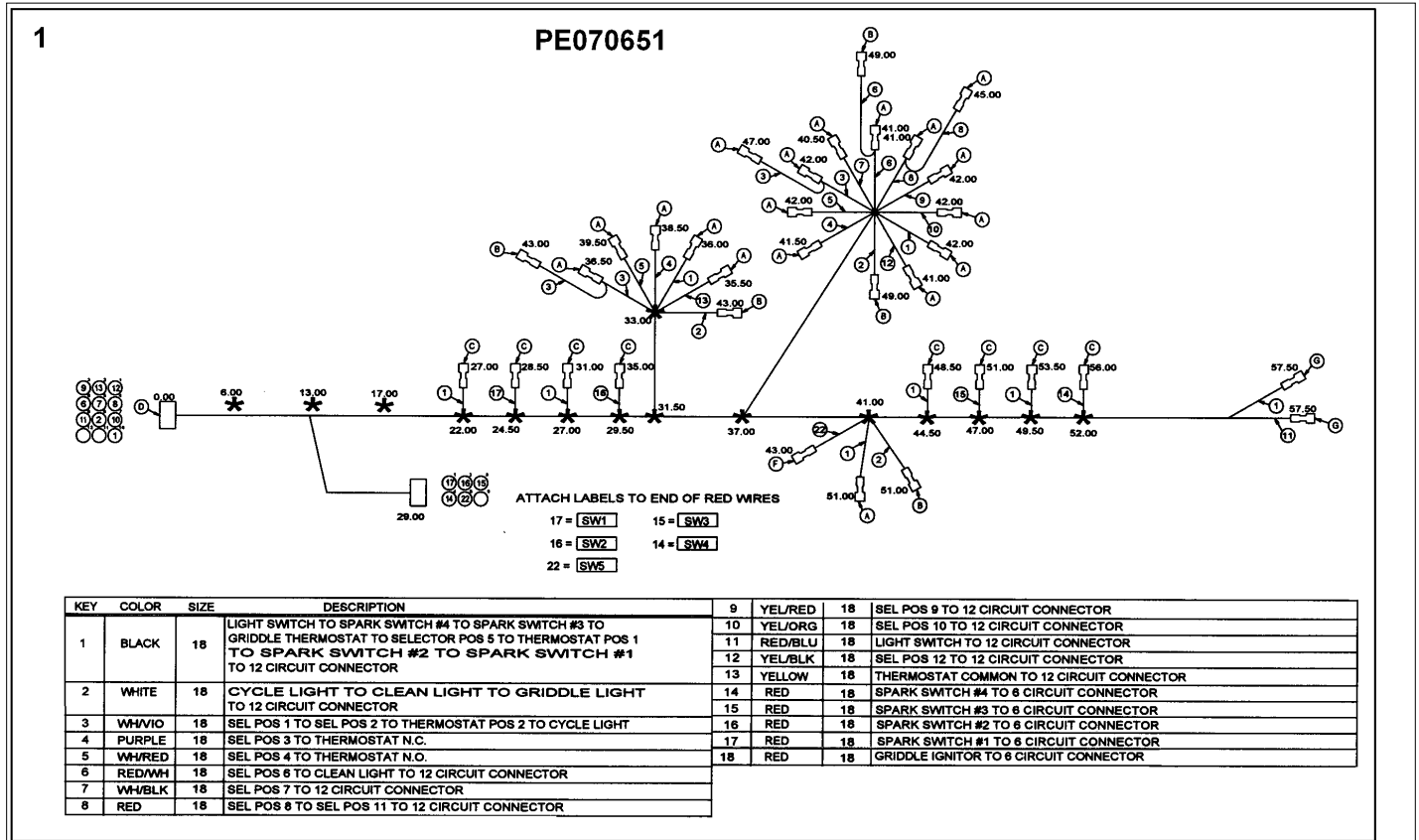
Item	Part No.	Name	Qty	Uom	NOTES
7	G4001589	SPARK IGNITOR WIRE 46"	1	EA	
8	G4001688	SPARK MODULE-TOP BRNR SPARKER (52)	1	EA	
9	G4001648	SPARK IGNITER WIRE (22")	1	EA	
10	G40011463	IGNITER WIRE ASSY 48" (#6)	1	EA	NO LONGER AVAILABLE
11	G40011256	SPARK IGNITER WIRE - 33"	1	EA	
12	G4008493	SUPPLY CORD ASSY- VGSU	1	EA	

UPPER OVEN CAVITY ASSEMBLY



Item	Part No.	Name	Qty	Uom	NOTES
1	A2004423	DOOR LOCK BOX (VGSC306)	1	EA	
2	PD020060	10 X 1/2" (5/16)HEX WSHER HD.(T)A	1	EA	
3	PE050053	DR LATCH REPL PE050020	1	EA	
4	A20012913	DOOR GASKET BRACKET LH	1	EA	NO LONGER AVAILABLE, Not available online / Call for pricing and availability
5	A20012914	DOOR GASKET BRACKET RH	1	EA	NO LONGER AVAILABLE, Not available online / Call for pricing and availability
6	000623-000	DOOR GASKET(3/8"DIA.) (VDSC)	1	EA	
7	PD030018	PALNUT - 3/4-16	1	EA	
8	PB040040	ORIFICE-IR BURNER (VGSC)	1	EA	
8	PB040027	IR BUR.SPUD ORF. - #56 LP	1	EA	
9	PB040178	90 DEGREE ORIFICE FITTING (VGSC306)	1	EA	
10	PJ030006	SWITCH (COOLING FAN)	1	EA	
11	A2006398	ORIFICE HOLDER BRACKET	1	EA	NO LONGER AVAILABLE, Not available online / Call for pricing and availability
12	PD020002	10 X 1/2 PH.TR.HD.SMS.	1	EA	
13	PD030062	.250 HI-LIMIT SWITCH CLAMP(VGSC306)	1	EA	
14	PE050059	HI-LIMIT SWITCH	1	EA	
15	PB040171	BROIL IGNITION ELECTRODE	1	EA	
16	G3001876	IR BURNER ASSY (VGSC/RC) N/S	1	EA	
17	A2004430	THERMAL BULB SHIELD (VGSC306)	1	EA	
18	A1006399	ORIFICE HOLDER BRACKET PLATE	1	EA	NO LONGER AVAILABLE, Not available online / Call for pricing and availability

VGSC367 MAJOR HARNESSSES



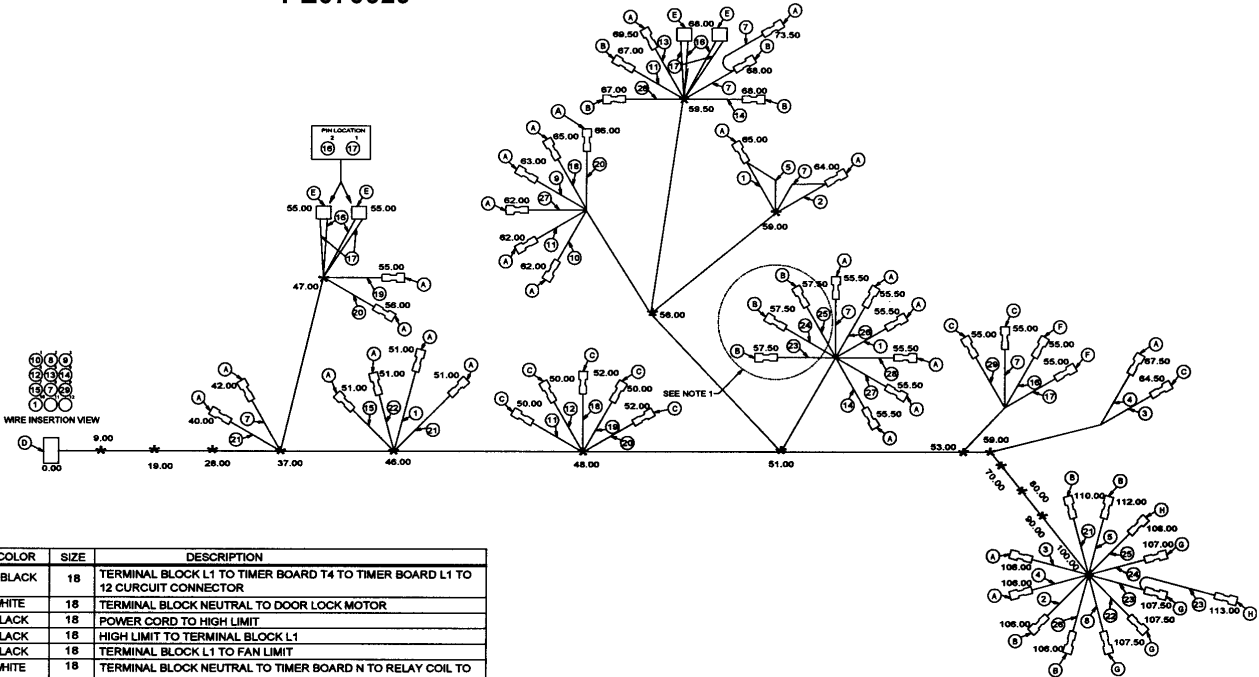


Item	Part No.	Name	Qty	Uom	NOTES
1	PE070651	HARNESS (VGSC367-4G)	1	EA	NO LONGER AVAILABLE
2	PE070628	VGSC367-6B TOP HARNESS	1	EA	NO LONGER AVAILABLE

VGSC367 OVEN HARNESS

1

PE070629

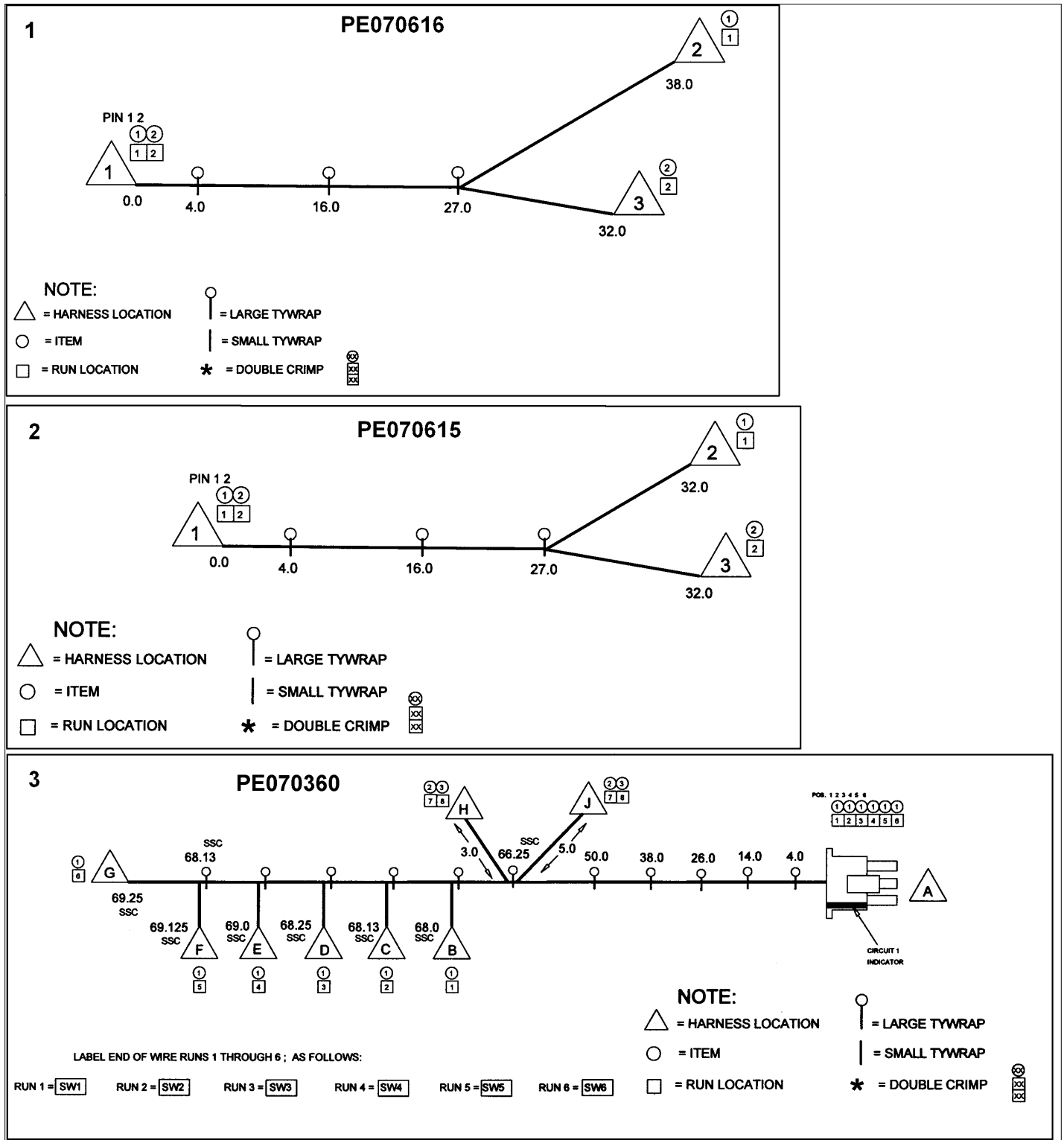


KEY	COLOR	SIZE	DESCRIPTION
1	BLACK	18	TERMINAL BLOCK L1 TO TIMER BOARD T4 TO TIMER BOARD L1 TO 12 CURCUIT CONNECTOR
2	WHITE	18	TERMINAL BLOCK NEUTRAL TO DOOR LOCK MOTOR
3	BLACK	18	POWER CORD TO HIGH LIMIT
4	BLACK	18	HIGH LIMIT TO TERMINAL BLOCK L1
5	BLACK	18	TERMINAL BLOCK L1 TO FAN LIMIT
7	WHITE	18	TERMINAL BLOCK NEUTRAL TO TIMER BOARD N TO RELAY COIL TO CONVECTION FAN MOTOR TO COOLING FAN TO TRANSFORMER BLACK TO 12 CURCUIT CONECTOR
8	YELLOW	18	12 CIRCUIT CONNECTOR TO DOOR LOCK SWITCH #3
9	YEL/RED	18	12 CIRCUIT CONNECTOR TO RELAY POS 9
10	YEL/BLK	18	12 CIRCUIT CONNECTOR TO AUTO RESET #2 POS 1
11	YELLOW	18	RELAY POS 6 TO AUTO RESET #2 POS 2 TO MODULE YELLOW
12	RED	18	12 CIRCUIT CONNECTOR TO MODULE RED
13	WH/BLK	18	12 CIRCUIT CONNECTOR TO CONVECTION FAN MOTOR
14	RED/WH	18	12 CIRCUIT CONNECTOR TO TIMER BOARD SEL TO RELAY COIL
15	YEL/ORG	18	12 CIRCUIT CONNECTOR TO TIMER BOARD T2
16	WH/BLU	18	TRANSFORMER WHITE TO 2 CIRCUIT CONN TO 2 CIRCUIT CONN. TO 2 CIRCUIT CONN.
17	RED/WH	18	TRANSFORMER WHITE TO 2 CIRCUIT CONN TO 2 CIRCUIT CONN. TO 2 CIRCUIT CONN. TO 2 CIRCUIT CONN.
18	BROWN	18	BROIL SOLENOID TO MODULE BROWN
19	GRAY	18	BAKE SOLENOID TO MODULE GRAY
20	PURPLE	18	BAKE SOLENOID TO BROIL SOLENOID TO MODULE PURPLE
21	WH/RED	18	TIMER BOARD T3 TO COOLING FAN TO FAN LIMIT
22	WH/ORG	18	TIMER BOARD T1 TO DOOR LOCK SWITCH #3
23	YEL/GRN	18	TIMER BOARD VC TO DOOR LOCK SWITCH #2 TO SWITCH #1
24	WH/GRN	18	TIMER BOARD SENSOR 3 TO DOOR LOCK SWITCH #2
25	RED/BLU	18	TIMER BOARD SENSOR 4 TO DOOR LOCK SWITCH #1
26	WH/BLK	18	TIMER BOARD M1 TO DOOR LOCK MOTOR
27	WH/VIO	18	TIMER BOARD LS2 TO AUTO RESET #1 POS 2
28	YEL/RED	18	TIMER BOARD LS1 TO AUTO RESET #1 POS 1
29	RED/BLUE	18	12 CURCUIT CONNECTOR TO TRANSFORMER BLACK



Item	Part No.	Name	Qty	Uom	NOTES
1	PE070629	VGSC367 OVEN HARNESS	1	EA	NO LONGER AVAILABLE, Not available online / Call for pricing and availability

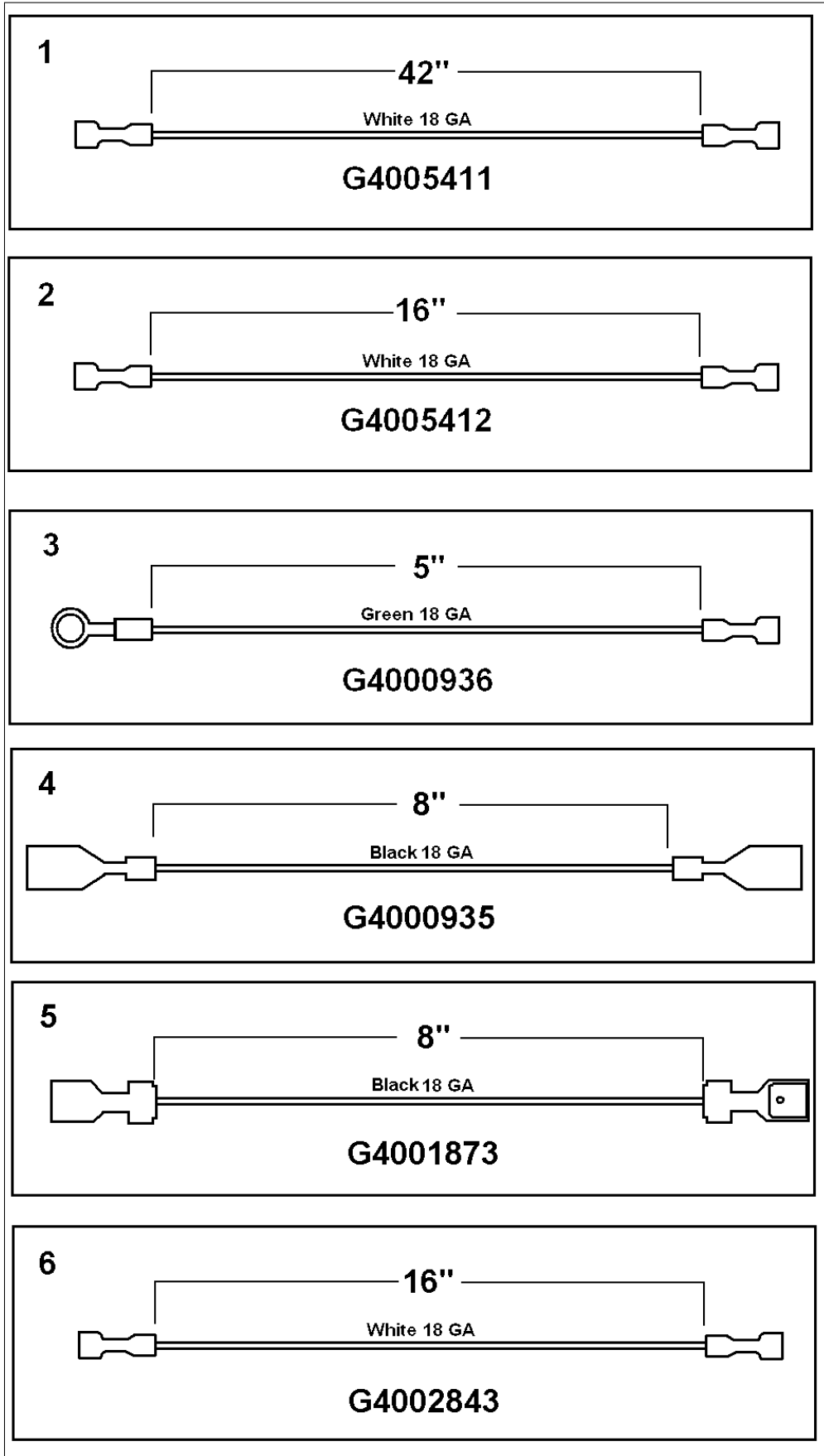
VGSC367 SIMPLE HARNESSSES





Item	Part No.	Name	Qty	Uom	NOTES
1	PE070616	HARNESS - DISCONNECT POWER (PLUG)	1	EA	
2	PE070615	HARNESS - DISCONNECT POWER (CAP)	1	EA	
3	PE070630	0+6 HARNESS - VGSC367	1	EA	NO LONGER AVAILABLE, Not available online / Call for pricing and availability

VGSC367 SINGLE WIRING



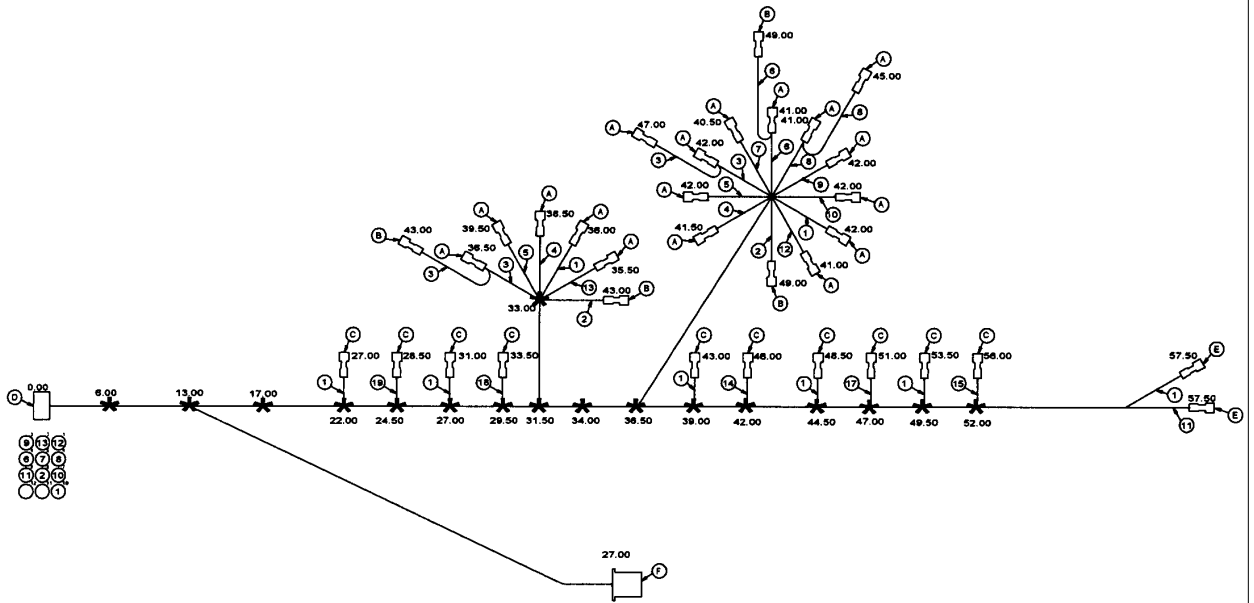


Item	Part No.	Name	Qty	Uom	NOTES
1	G4005411	DSI BAKE JUMPER (VGSC306)	1	EA	
2	G4005412	DSI BROIL JUMPER (VGSC306)	1	EA	
3	G4000936	GROUND WIRE	1	EA	
4	G4000935	BAKE/BROIL JUMPER WIRE - VGR/VCN	1	EA	
5	G4001873	WIRE HARNESS (8") (VGRC60)	1	EA	
6	G4002843	WIRE ASSEMBLY (VDSC48)	1	EA	

VGSC367 TOP HARNESS - 4Q

1

PE070678



KEY	COLOR	SIZE	DESCRIPTION
1	BLACK	18	LIGHT SWITCH TO SPARK SWITCH #5 TO SPARK SWITCH #4 TO SELECTOR POS 5 TO SPARK SWITCH #3 TO SPARK SWITCH #2 TO THERMOSTAT POS 1 TO SPARK SWITCH #1 TO SPARK MODULE L1 TO 12 CIRCUIT CONNECTOR
2	WHITE	18	SPARK MODULE TO CYCLE LIGHT TO CLEAN LIGHT TO 12 CIRCUIT
3	WH/VIO	18	SEL POS 1 TO SEL POS 2 TO THERMOSTAT POS 2 TO CYCLE LIGHT
4	PURPLE	18	SEL POS 3 TO THERMOSTAT N.C.
5	WH/RED	18	SEL POS 4 TO THERMOSTAT N.O.
6	RED/WH	18	SEL POS 6 TO CLEAN LIGHT TO 12 CIRCUIT CONNECTOR
7	WH/BLK	18	SEL POS 7 TO 12 CIRCUIT CONNECTOR
8	RED	18	SEL POS 8 TO SEL POS 11 TO 12 CIRCUIT CONNECTOR
9	YEL/RED	18	SEL POS 9 TO 12 CIRCUIT CONNECTOR
10	YEL/ORG	18	SEL POS 10 TO 12 CIRCUIT CONNECTOR
11	RED/BLU	18	LIGHT SWITCH TO 12 CIRCUIT CONNECTOR
12	YEL/BLK	18	SEL POS 12 TO 12 CIRCUIT CONNECTOR
13	YELLOW	18	THERMOSTAT COMMON TO 12 CIRCUIT CONNECTOR
14	RED	18	SPARK SWITCH #5 TO SPARK MODULE REIG. 5
15	RED	18	SPARK SWITCH #4 TO SPARK MODULE REIG. 4
16			
17	RED	18	SPARK SWITCH #3 TO SPARK MODULE REIG. 3

POS. 1 2 3 4 5

19	18	17	15	14
----	----	----	----	----

POSITION 6 IS OPEN

18	RED	18	SPARK SWITCH #2 TO SPARK MODULE REIG. 2
19	RED	18	SPARK SWITCH #1 TO SPARK MODULE REIG. 1



Item	Part No.	Name	Qty	Uom	NOTES
1	PE070678	VGSC367-4Q FRONT HARNESS	1	EA	NO LONGER AVAILABLE, Not available online / Call for pricing and availability



Appendix A:Pages Index

BURNER BOX EXTERIOR ASSEMBLY 1
CONTROL AND GAS ASSEMBLY 2
DOOR ASSEMBLY 3
ELECTRONICS ASSEMBLY 4
FUNCTIONAL PARTS 5
GRIDDLE ASSEMBLY 6
GRILL ASSEMBLY 7
INGNITOR WIRE KIT 8
LOWER OVEN CAVITY ASSEMBLY 9
LOWER RANGE ASSEMBLY 10
REAR UNIT ASSEMBLY 11
SIMPLE HARNESES-CONTINUED 12
SINGLE WIRING CONT. 13
UPPER OVEN CAVITY ASSEMBLY 14
VGSC367 MAJOR HARNESES 15
VGSC367 OVEN HARNESS 16
VGSC367 SIMPLE HARNESES 17
VGSC367 SINGLE WIRING 18
VGSC367 TOP HARNESS - 4Q 19



Appendix B:Parts Index

000268-000	3	A2002784	10
000594-000	3	A2002800	3
000623-000	14	A2004400	11
001394-042	5	A2004402	11
001394-043	5	A2004418	11
002158-000	2, 7	A2004420	11
003208-000	6	A2004421	11
003322-040	1	A2004423	14
003517-000	2, 5	A2004424	10
003546-000	5, 7	A2004428	9
006200-000	5, 10	A2004429	10
007147-000	5, 6	A2004430	14
018200-000	1	A2004434	10
019501-000	10	A2004442	11
050172-000	2, 6	A2004443	11
068458-000	10	A2004445	11
A10012909	2	A2004447	11
A10012918	11	A2004449	11
A1001862	7	A2004450	4
A1002596	9	A2004451	11
A1004448	11	A2004452	10
A1006399	14	A2004458	4
A1009513	6	A2004471	11
A2001132	7	A2005502	10
A20012913	14	A2005511	11
A20012914	14	A2005522	11
A20012922	10	A2005549	10
A2001300	6	A2005550	10
A2001631	7	A2006398	14
A2001633	7	A2006747	1
A2001852	7	A2006748	1
A2001855	7	A2007859	1
A2001863	7	A2007862	6
A2002189	3	A2007865	1
A2002367	3	A2007867	6
A2002482	10	A2009580	6
A2002498	3	A2009809	7
A2002499	3	B20010179	10
A2002595	9	B20010180	10
A2002783	10	B20012923	1
		B20012924	1



B2001504	10	C9001504CB	10
B2001856	7	C9001504EP	10
B2001857	7	C9001504FG	10
B2002798	3	C9001504GG	10
B2004415	10	C9001504LE	10
B2005386	4	C9001504MJ	10
B2009866	7	C9001504SG	10
B30011469	2	C9001504VB	10
B9205516	2	C9001504WH	10
B9205517	2	C9002798AL	3
B9205518	2	C9002798BK	3
C90010179AL	10	C9002798BT	3
C90010179BK	10	C9002798BU	3
C90010179BT	10	C9002798CB	3
C90010179BU	10	C9002798EP	3
C90010179CB	10	C9002798FG	3
C90010179EP	10	C9002798GG	3
C90010179FG	10	C9002798LE	3
C90010179GG	10	C9002798MJ	3
C90010179LE	10	C9002798SG	3
C90010179MJ	10	C9002798VB	3
C90010179SG	10	C9002798WH	3
C90010179VB	10	C93012923BR	1
C90010179WH	10	C93012924BR	1
C90010180AL	10	E9101130BK	7
C90010180BK	10	E9102178	3
C90010180BT	10	E9102179	3
C90010180BU	10	E9105500	10
C90010180CB	10	E9108438AL	1
C90010180EP	10	E9108438BK	1
C90010180FG	10	E9108438BT	1
C90010180GG	10	E9108438CB	1
C90010180LE	10	E9108438EP	1
C90010180MJ	10	E9108438FG	1
C90010180SG	10	E9108438GG	1
C90010180VB	10	E9108438LE	1
C90010180WH	10	E9108438MJ	1
C9001504AL	10	E9108438SG	1
C9001504BK	10	E9108438VB	1
C9001504BT	10	E9108438WH	1
C9001504BU	10	E9108439AL	1



E9108439BK	1	G3202805WH	3
E9108439BT	1	G3202805WHBR	3
E9108439CB	1	G4000935	18
E9108439EP	1	G4000936	18
E9108439FG	1	G40011256	13
E9108439GG	1	G40011463	13
E9108439LE	1	G4001589	13
E9108439MJ	1	G4001648	13
E9108439SG	1	G4001688	13
E9108439VB	1	G4001873	18
E9108439WH	1	G4002843	18
G30010455	2	G4005411	18
G30010696	2	G4005412	18
G3001876	5, 14	G4008493	13
G3009151	2	G9102744	9
G3202805AL	3	G9102746	3
G3202805ALBR	3	G9102748	3
G3202805BK	3	G9105513	9
G3202805BKBR	3	G9109811	7
G3202805BT	3	G9109811AL	7
G3202805BTBR	3	G9109811BT	7
G3202805BU	3	G9109811CB	7
G3202805BUBR	3	G9109811EP	7
G3202805CB	3	G9109811FG	7
G3202805CBBR	3	G9109811GG	7
G3202805EP	3	G9109811LE	7
G3202805EPBR	3	G9109811MJ	7
G3202805FG	3	G9109811SG	7
G3202805FGBR	3	G9109811VB	7
G3202805GG	3	G9109811WH	7
G3202805GGBR	3	G93011459PVD	2
G3202805LE	3	J1002799	3
G3202805LEBR	3	J2002593	1
G3202805MJ	3	PA010039	7
G3202805MJBR	3	PA010040	7
G3202805SG	3	PA010080	2
G3202805SGBR	3	PA010081	2
G3202805SS	3	PA010100	1
G3202805SSBR	3	PA010139	4, 5
G3202805VB	3	PA020028	5, 7
G3202805VBBR	3	PA020035	4, 5



PA020045	2, 5, 7	PC020126	9
PA020047	4, 5	PC030007	10
PA020048	4, 5	PC030017	10
PA060054	1	PD010006	10
PA060058	7	PD020002	3, 14
PA060059	7	PD020014	3
PA060062	1	PD020032	3, 4
PA070003	2, 5	PD020048	9, 10
PA080075	1, 5	PD020060	4, 10, 11, 14
PA080083	1	PD020067	4, 9
PA080086	1	PD020083	4
PB010004	2, 5, 6	PD030006	3
PB010103	6	PD030018	14
PB010104	6	PD030029	10
PB010186	2, 5	PD030033	4
PB010187	2	PD030062	14
PB010188	2	PD040028	2
PB010206	2	PD040035	1
PB010207	2	PE010076	3
PB010209	2, 6	PE030001PVD	3
PB010264	5, 6	PE030006	3
PB020025	7	PE030013PVD	3
PB020192	2	PE050001	4, 5
PB020193	2	PE050016	2
PB040001	5, 6	PE050017	2
PB040027	14	PE050023	2, 6
PB040034	10	PE050024	2, 6
PB040040	14	PE050026	4, 5
PB040170	5, 10	PE050053	5, 14
PB040171	5, 14	PE050056	9
PB040178	14	PE050057	5, 9
PB040180	10	PE050059	5, 14
PB040262	10	PE050148	9
PB050063	1, 5	PE060030	3
PB050074	5, 6	PE060031	3
PB050077	5, 7	PE060045	3
PB050081	1, 1, 1, 5, 5	PE060064	3
PB060030	9	PE070148	4, 5
PB060045	9	PE070223	12
PB070076	3	PE070468	4, 5
PB070165	3	PE070615	17



PE070616 17
PE070628 15
PE070629 16
PE070630 17
PE070650 12
PE070651 15
PE070678 19
PE070829 8
PJ030002 4, 5
PJ030006 5, 14
PJ030015 2, 5
PK000009 2
PK000010 2
PM010029 4, 5